



# PIC12CE5XX

## 8-Pin, 8-Bit CMOS Microcontroller with EEPROM Data Memory

### Devices:

PIC12CE518 and PIC12CE519 are 8-bit microcontrollers packaged in 8-lead packages. They are based on the Enhanced PIC16C5X family.

### High-Performance RISC CPU:

- Only 33 single word instructions to learn
- All instructions are single cycle (1  $\mu$ s) except for program branches which are two-cycle
- Operating speed: DC - 4 MHz clock input  
DC - 1  $\mu$ s instruction cycle

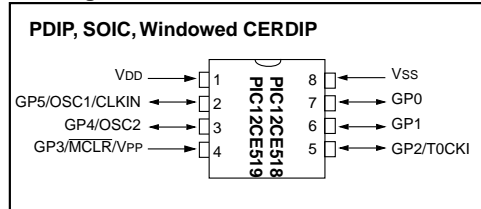
Device	Memory		
	EPROM Program	RAM Data	EEPROM Data
PIC12CE518	512 x 12	25 x 8	16 x 8
PIC12CE519	1024 x 12	41 x 8	16 x 8

- 12-bit wide instructions
- 8-bit wide data path
- Special function hardware registers
- Two-level deep hardware stack
- Direct, indirect and relative addressing modes for data and instructions

### Peripheral Features:

- 8-bit real-time clock/counter (TMR0) with 8-bit programmable prescaler
- 1,000,000 erase/write cycle EEPROM data memory
- EEPROM data retention > 40 years

### Pin Diagram:



### Special Microcontroller Features:

- In-Circuit Serial Programming (ICSP™) of program memory (via two pins)
- Internal 4 MHz RC oscillator with programmable calibration
- Power-on Reset (POR)
- Device Reset Timer (DRT)
- Watchdog Timer (WDT) with its own on-chip RC oscillator for reliable operation
- Programmable code-protection
- Power saving SLEEP mode
- Wake-up from SLEEP on pin change
- Internal weak pull-ups on I/O pins
- Internal pull-up on MCLR pin
- Selectable oscillator options:
  - INTRC: Internal 4 MHz RC oscillator
  - EXTRC: External low-cost RC oscillator
  - XT: Standard crystal/resonator
  - LP: Power saving, low frequency crystal

### CMOS Technology:

- Low-power, high-speed CMOS EPROM/EEPROM technology
- Fully static design
- Wide temperature range:
  - Commercial: 0°C to +70°C
  - Industrial: -40°C to +85°C
  - Extended: -40°C to +125°C
- Wide operating voltage range:
  - Commercial: 3.0V to 5.5V
  - Industrial: 3.0V to 5.5V
  - Extended: 4.5V to 5.5V
- Low power consumption
  - < 2 mA typical @ 5V, 4 MHz
  - 15  $\mu$ A typical @ 3V, 32 kHz
  - < 1  $\mu$ A typical standby current

# PIC12CE5XX

---

---

## TABLE OF CONTENTS

1.0	General Description.....	3
2.0	PIC12CE5XX Device Varieties.....	5
3.0	Architectural Overview .....	7
4.0	Memory Organization .....	11
5.0	PIC12CE518I/O Port .....	19
6.0	EEPROM Peripheral Operation.....	21
7.0	Timer0 Module and TMR0 Register .....	25
8.0	Special Features of the CPU.....	29
9.0	Instruction Set Summary .....	41
10.0	Development Support.....	53
11.0	Electrical Characteristics - PIC12CE5XX .....	57
12.0	DC and AC Characteristics - PIC12CE5XX .....	69
13.0	Packaging Information.....	73
14.0	Appendix A .....	77
	Index .....	83
	PIC12CE5XX Product Identification System.....	87

### *To Our Valued Customers*

We constantly strive to improve the quality of all our products and documentation. We have spent an exceptional amount of time to ensure that these documents are correct. However, we realize that we may have missed a few things. If you find any information that is missing or appears in error, please use the reader response form in the back of this data sheet to inform us. We appreciate your assistance in making this a better document.

## 1.0 GENERAL DESCRIPTION

The 8-pin PIC12CE5XX from Microchip Technology is a family of low-cost, high performance, 8-bit, fully static, EPROM/EEPROM-based CMOS microcontrollers. It employs a RISC architecture with only 33 single word/single cycle instructions. All instructions are single cycle (1  $\mu$ s) except for program branches which take two cycles. The PIC12CE5XX delivers performance an order of magnitude higher than its competitors in the same price category. The 12-bit wide instructions are highly symmetrical resulting in 2:1 code compression over other 8-bit microcontrollers in its class. The easy to use and easy to remember instruction set reduces development time significantly.

The PIC12CE5XX products are equipped with special features that reduce system cost and power requirements. The Power-On Reset (POR) and Device Reset Timer (DRT) eliminate the need for external reset circuitry. There are four oscillator configurations to choose from, including INTRC internal oscillator mode and the power-saving LP (Low Power) oscillator. Power saving SLEEP mode, Watchdog Timer and code protection features improve system cost, power and reliability.

The PIC12CE5XX are available in the cost-effective One-Time-Programmable (OTP) versions which are suitable for production in any volume. The customer can take full advantage of Microchip's price leadership in OTP microcontrollers while benefiting from the OTP's flexibility.

The PIC12CE5XX products are supported by a full-featured macro assembler, a software simulator, an in-circuit emulator, a 'C' compiler, fuzzy logic support tools, a low-cost development programmer, and a full featured programmer. All the tools are supported on IBM<sup>®</sup> PC and compatible machines.

## 1.1 Applications

The PIC12CE5XX series fits perfectly in applications ranging from sensory systems, gas detectors and security systems to low-power remote transmitters/receivers. The EPROM programming technology makes customizing application programs (transmitter codes, appliance settings, receiver frequencies, etc.) extremely fast and convenient. While the EEPROM data memory technology allows for the changing of calibrations factors and security codes, the small footprint 8-pin packages, for through hole or surface mounting, make this microcontroller series perfect for applications with space limitations. Low-cost, low-power, high performance, ease of use and I/O flexibility make the PIC12CE5XX series very versatile even in areas where no microcontroller use has been considered before (e.g., timer functions, replacement of "glue" logic and PLD's in larger systems, coprocessor applications).

# PIC12CE5XX

**TABLE 1-1: PIC12CXXX FAMILY OF DEVICES**

		PIC12C508(A)	PIC12C509(A)	PIC12CE518	PIC12CE519	PIC12C671	PIC12C672
<b>Clock</b>	Maximum Frequency of Operation (MHz)	4	4	4	4	10	10
<b>Memory</b>	EPROM Program Memory	512 x 12	1024 x 12	512 x 12	1024 x 12	1024 x 14	2048 x 14
	RAM Data Memory (bytes)	25	41	25	41	128	128
<b>Peripherals</b>	EEPROM Data Memory (bytes)			16	16		
	Timer Module(s)	TMR0	TMR0	TMR0	TMR0	TMR0	TMR0
	A/D Converter (8-bit) Channels	—	—	—	—	4	4
<b>Features</b>	Wake-up from SLEEP on pin change	Yes	Yes	Yes	Yes	Yes	Yes
	Interrupt Sources	—	—			4	4
	I/O Pins	5	5	5	5	5	5
	Input Pins	1	1	1	1	1	1
	Internal Pull-ups	Yes	Yes	Yes	Yes	Yes	Yes
	In-Circuit Serial Programming	Yes	Yes	Yes	Yes	Yes	Yes
	Number of Instructions	33	33	33	33	35	35
<b>Packages</b>		8-pin DIP, JW, SOIC	8-pin DIP, JW, SOIC	8-pin DIP, JW, SOIC	8-pin DIP, JW, SOIC	8-pin DIP, JW, SOIC	8-pin DIP, JW, SOIC

All PIC12CE5XX devices have Power-on Reset, selectable Watchdog Timer, selectable code protect and high I/O current capability. All PIC12CE5XX devices use serial programming with data pin GP0 and clock pin GP1.

## 2.0 PIC12CE5XX DEVICE VARIETIES

A variety of packaging options are available. Depending on application and production requirements, the proper device option can be selected using the information in this section. When placing orders, please use the PIC12CE5XX Product Identification System at the back of this data sheet to specify the correct part number.

### 2.1 UV Erasable Devices

The UV erasable version, offered in windowed cerdip package, is optimal for prototype development and pilot programs.

The UV erasable version can be erased and reprogrammed to any of the configuration modes.

**Note:** Please note that erasing the device will also erase the pre-programmed internal calibration value for the internal oscillator. The calibration value must be saved prior to erasing the part.

Microchip's PICSTART<sup>®</sup> PLUS and PRO MATE<sup>®</sup> programmers all support programming of the PIC12CE5XX. Third party programmers also are available; refer to the *Microchip Third Party Guide* for a list of sources.

### 2.2 One-Time-Programmable (OTP) Devices

The availability of OTP devices is especially useful for customers who need the flexibility for frequent code updates or small volume applications.

The OTP devices, packaged in plastic packages permit the user to program them once. In addition to the program memory, the configuration bits must also be programmed.

### 2.3 Quick-Turnaround-Production (QTP) Devices

Microchip offers a QTP Programming Service for factory production orders. This service is made available for users who choose not to program a medium to high quantity of units and whose code patterns have stabilized. The devices are identical to the OTP devices but with all EPROM locations and fuse options already programmed by the factory. Certain code and prototype verification procedures do apply before production shipments are available. Please contact your local Microchip Technology sales office for more details.

### 2.4 Serialized Quick-Turnaround Production (SQTP<sup>SM</sup>) Devices

Microchip offers a unique programming service where a few user-defined locations in each device are programmed with different serial numbers. The serial numbers may be random, pseudo-random or sequential.

Serial programming allows each device to have a unique number which can serve as an entry-code, password or ID number.

# PIC12CE5XX

---

---

NOTES:

## 3.0 ARCHITECTURAL OVERVIEW

The high performance of the PIC12CE5XX family can be attributed to a number of architectural features commonly found in RISC microprocessors. To begin with, the PIC12CE5XX uses a Harvard architecture in which program and data are accessed on separate buses. This improves bandwidth over traditional von Neumann architecture where program and data are fetched on the same bus. Separating program and data memory further allows instructions to be sized differently than the 8-bit wide data word. Instruction opcodes are 12-bits wide making it possible to have all single word instructions. A 12-bit wide program memory access bus fetches a 12-bit instruction in a single cycle. A two-stage pipeline overlaps fetch and execution of instructions. Consequently, all instructions (33) execute in a single cycle (1 $\mu$ s @ 4MHz) except for program branches.

The PIC12CE518 addresses 512 x 12 of program memory, the PIC12CE519 addresses 1K x 12 of program memory. All program memory is internal.

The PIC12CE5XX can directly or indirectly address its register files and data memory. All special function registers including the program counter are mapped in the data memory. The PIC12CE5XX has a highly orthogonal (symmetrical) instruction set that makes it possible to carry out any operation on any register using any addressing mode. This symmetrical nature and lack of 'special optimal situations' make programming with the PIC12CE5XX simple yet efficient. In addition, the learning curve is reduced significantly.

The PIC12CE5XX contains a 16 X 8 EEPROM memory array for storing non-volatile information such as calibration data or security codes. This memory has an endurance of 1,000,000 erase/write cycles and a retention of 40+ years.

The PIC12CE5XX device contains an 8-bit ALU and working register. The ALU is a general purpose arithmetic unit. It performs arithmetic and Boolean functions between data in the working register and any register file.

The ALU is 8-bits wide and capable of addition, subtraction, shift and logical operations. Unless otherwise mentioned, arithmetic operations are two's complement in nature. In two-operand instructions, typically one operand is the W (working) register. The other operand is either a file register or an immediate constant. In single operand instructions, the operand is either the W register or a file register.

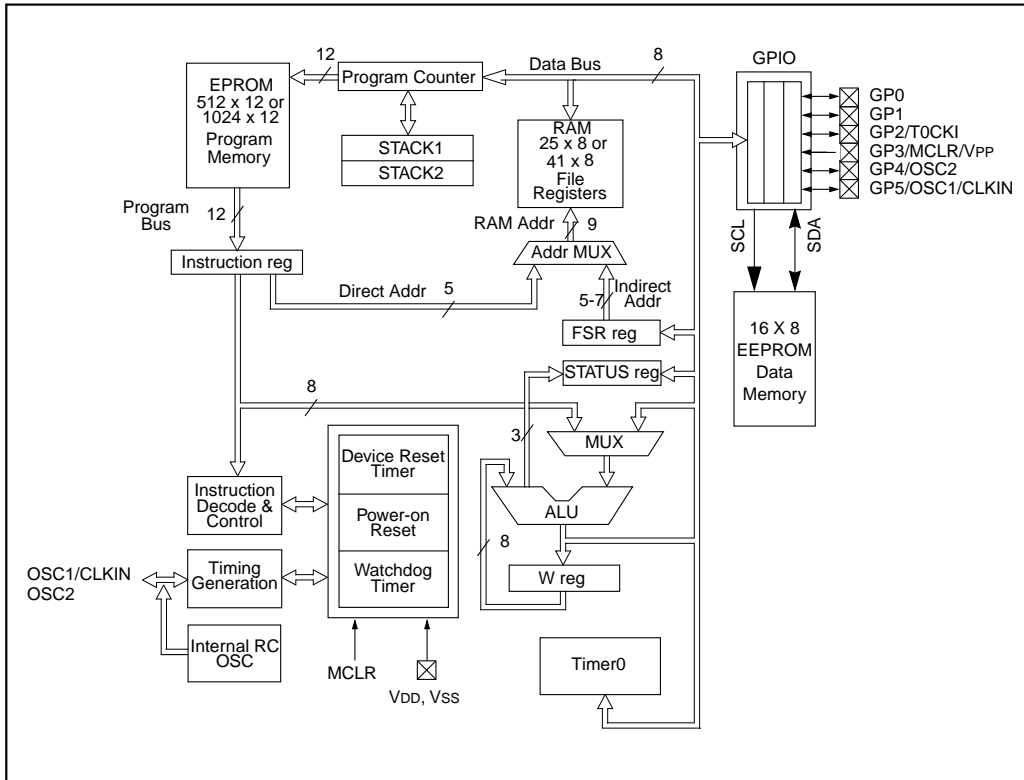
The W register is an 8-bit working register used for ALU operations. It is not an addressable register.

Depending on the instruction executed, the ALU may affect the values of the Carry (C), Digit Carry (DC), and Zero (Z) bits in the STATUS register. The C and DC bits operate as a borrow and digit borrow out bit, respectively, in subtraction. See the `SUBWF` and `ADDWF` instructions for examples.

A simplified block diagram is shown in Figure 3-1, with the corresponding device pins described in Table 3-1.

# PIC12CE5XX

FIGURE 3-1: PIC12CE5XX BLOCK DIAGRAM





**TABLE 3-1: PIC12CE5XX PINOUT DESCRIPTION**

Name	DIP Pin #	SOIC Pin #	I/O/P Type	Buffer Type	Description
GP0	7	7	I/O	TTL/ST	Bi-directional I/O port/ serial programming data. Can be software programmed for internal weak pull-up and wake-up from SLEEP on pin change. This buffer is a Schmitt Trigger input when used in serial programming mode.
GP1	6	6	I/O	TTL/ST	Bi-directional I/O port/ serial programming clock. Can be software programmed for internal weak pull-up and wake-up from SLEEP on pin change. This buffer is a Schmitt Trigger input when used in serial programming mode.
GP2/T0CKI	5	5	I/O	ST	Bi-directional I/O port. Can be configured as T0CKI.
GP3/MCLR/VPP	4	4	I	TTL	Input port/master clear (reset) input/programming voltage input. When configured as MCLR, this pin is an active low reset to the device. Voltage on MCLR/VPP must not exceed VDD during normal device operation. Can be software programmed for internal weak pull-up and wake-up from SLEEP on pin change. Weak pull-up always on if configured as MCLR
GP4/OSC2	3	3	I/O	TTL	Bi-directional I/O port/oscillator crystal output. Connections to crystal or resonator in crystal oscillator mode (XT and LP modes only, GPIO in other modes).
GP5/OSC1/CLKIN	2	2	I/O	TTL/ST	Bidirectional IO port/oscillator crystal input/external clock source input (GPIO in Internal RC mode only, OSC1 in all other oscillator modes). TTL input when GPIO, ST input in external RC oscillator mode.
VDD	1	1	P	—	Positive supply for logic and I/O pins
VSS	8	8	P	—	Ground reference for logic and I/O pins

Legend: I = input, O = output, I/O = input/output, P = power, — = not used, TTL = TTL input, ST = Schmitt Trigger input

# PIC12CE5XX

## 3.1 Clocking Scheme/Instruction Cycle

The clock input (OSC1/CLKIN pin) is internally divided by four to generate four non-overlapping quadrature clocks namely Q1, Q2, Q3 and Q4. Internally, the program counter is incremented every Q1, and the instruction is fetched from program memory and latched into instruction register in Q4. It is decoded and executed during the following Q1 through Q4. The clocks and instruction execution flow is shown in Figure 3-2 and Example 3-1.

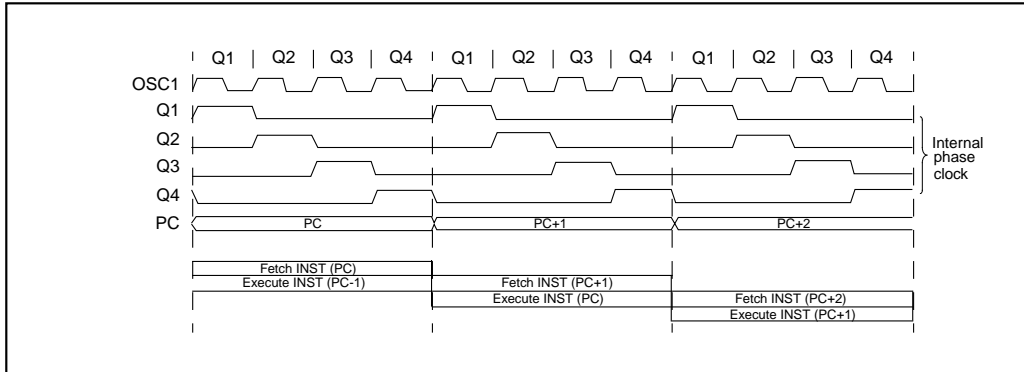
## 3.2 Instruction Flow/Pipelining

An Instruction Cycle consists of four Q cycles (Q1, Q2, Q3 and Q4). The instruction fetch and execute are pipelined such that fetch takes one instruction cycle while decode and execute takes another instruction cycle. However, due to the pipelining, each instruction effectively executes in one cycle. If an instruction causes the program counter to change (e.g., GOTO) then two cycles are required to complete the instruction (Example 3-1).

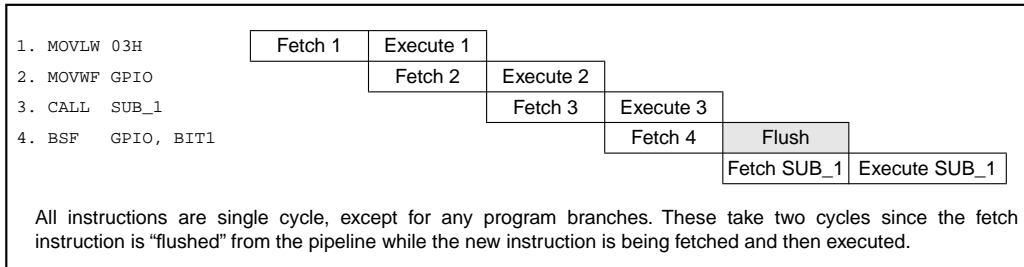
A fetch cycle begins with the program counter (PC) incrementing in Q1.

In the execution cycle, the fetched instruction is latched into the Instruction Register (IR) in cycle Q1. This instruction is then decoded and executed during the Q2, Q3, and Q4 cycles. Data memory is read during Q2 (operand read) and written during Q4 (destination write).

**FIGURE 3-2: CLOCK/INSTRUCTION CYCLE**



**EXAMPLE 3-1: INSTRUCTION PIPELINE FLOW**



## 4.0 MEMORY ORGANIZATION

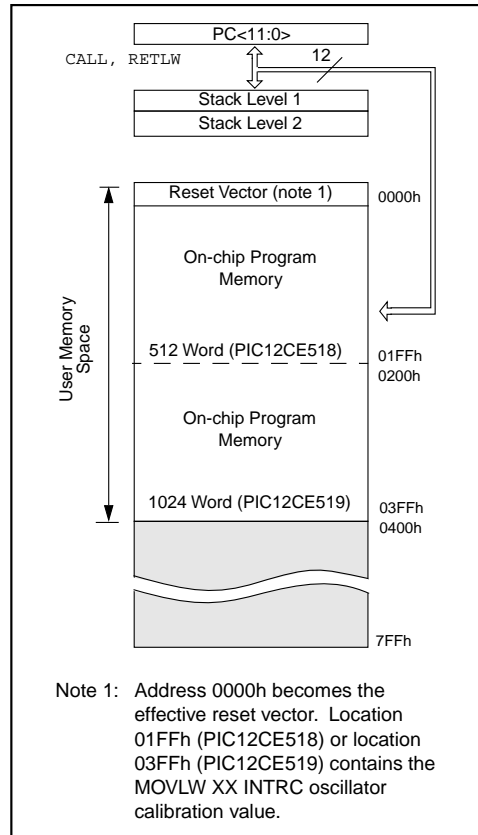
PIC12CE5XX memory is organized into program memory and data memory. For devices with more than 512 bytes of program memory, a paging scheme is used. Program memory pages are accessed using one STATUS register bit. For the PIC12CE519 with a data memory register file of more than 32 registers, a banking scheme is used. Data memory banks are accessed using the File Select Register (FSR).

### 4.1 Program Memory Organization

The PIC12CE5XX devices have a 12-bit Program Counter (PC) capable of addressing a 2K x 12 program memory space.

Only the first 512 x 12 (0000h-01FFh) for the PIC12CE518 and 1K x 12 (0000h-03FFh) for the PIC12CE519 are physically implemented. Refer to Figure 4-1. Accessing a location above these boundaries will cause a wrap-around within the first 512 x 12 space (PIC12CE518) or 1K x 12 space (PIC12CE519). The effective reset vector is at 000h, (see Figure 4-1). Location 01FFh (PIC12CE518) or location 03FFh (PIC12CE519), the hardwired reset vector location, contains the internal clock oscillator calibration value. This value is set at Microchip and should never be overwritten. Upon reset, the MOVLW XX is executed, the PC wraps to location 0000h, thus making 0000h the effective reset vector.

**FIGURE 4-1: PROGRAM MEMORY MAP AND STACK FOR THE PIC12CE5XX**



# PIC12CE5XX

## 4.2 Data Memory Organization

Data memory is composed of registers, or bytes of RAM. Therefore, data memory for a device is specified by its register file. The register file is divided into two functional groups: special function registers and general purpose registers.

The special function registers include the TMR0 register, the Program Counter (PC), the Status Register, the I/O registers (ports), and the File Select Register (FSR). In addition, special purpose registers are used to control the I/O port configuration and prescaler options.

The general purpose registers are used for data and control information under command of the instructions.

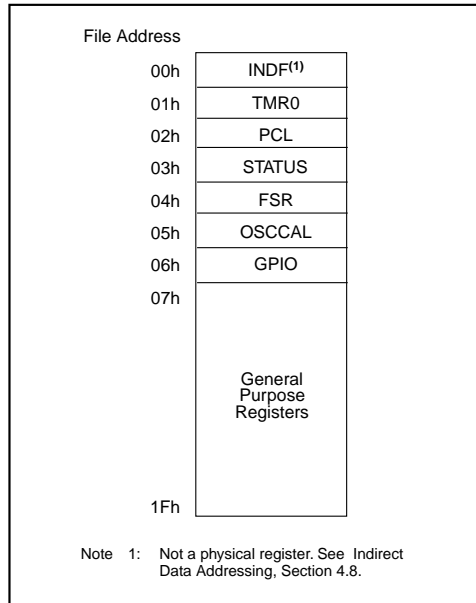
For the PIC12CE518, the register file is composed of 7 special function registers and 25 general purpose registers (Figure 4-2).

For the PIC12CE519, the register file is composed of 7 special function registers, 25 general purpose registers, and 16 general purpose registers that may be addressed using a banking scheme (Figure 4-3).

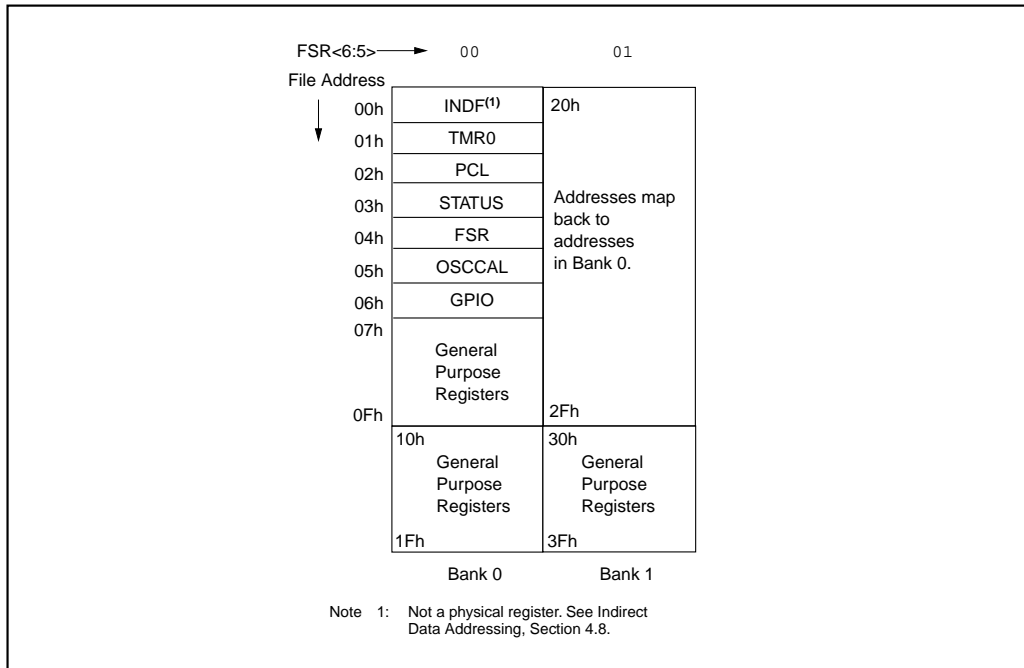
### 4.2.1 GENERAL PURPOSE REGISTER FILE

The general purpose register file is accessed either directly or indirectly through the file select register FSR (Section 4.8).

**FIGURE 4-2: PIC12CE518 REGISTER FILE MAP**



**FIGURE 4-3: PIC12CE519 REGISTER FILE MAP**



## 4.2.2 SPECIAL FUNCTION REGISTERS

The Special Function Registers (SFRs) are registers used by the CPU and peripheral functions to control the operation of the device (Table 4-1).

The special registers can be classified into two sets. The special function registers associated with the “core” functions are described in this section. Those related to the operation of the peripheral features are described in the section for each peripheral feature.

**TABLE 4-1: SPECIAL FUNCTION REGISTER (SFR) SUMMARY**

Address	Name	Bit 7	Bit 6	Bit 5	Bit 4	Bit 3	Bit 2	Bit 1	Bit 0	Value on Power-On Reset	Value on MCLR and WDT Reset	Value on Wake-up on Pin Change
N/A	TRIS	—	—		I/O control registers					--11 1111	--11 1111	--11 1111
N/A	OPTION	Contains control bits to configure Timer0, Timer0/WDT prescaler, wake-up on change, and weak pull-ups								1111 1111	1111 1111	1111 1111
00h	INDF	Uses contents of FSR to address data memory (not a physical register)								xxxx xxxx	uuuu uuuu	uuuu uuuu
01h	TMR0	8-bit real-time clock/counter								xxxx xxxx	uuuu uuuu	uuuu uuuu
02h <sup>(1)</sup>	PCL	Low order 8 bits of PC								1111 1111	1111 1111	1111 1111
03h	STATUS	GPWUF	—	PA0	T0	PD	Z	DC	C	0001 1xxx	000q quuu	100q quuu
04h	FSR (12CE518)	Indirect data memory address pointer								111x xxxx	111u uuuu	111u uuuu
04h	FSR (12CE519)	Indirect data memory address pointer								110x xxxx	11uu uuuu	11uu uuuu
05h	OSCCAL (12CE518/12CE519)	CAL7	CAL6	CAL5	CAL4	CALFST	CALSLW	—	—	0111 00--	uuuu uu--	uuuu uu--
06h	GPIO	SCL	SDA	GP5	GP4	GP3	GP2	GP1	GP0	11xx xxxx	11uu uuuu	11uu uuuu

Legend: Shaded boxes = unimplemented or unused, — = unimplemented, read as '0' (if applicable)  
 x = unknown, u = unchanged, q = see the tables in Section 8.7 for possible values.

Note 1: The upper byte of the Program Counter is not directly accessible. See Section 4.6 for an explanation of how to access these bits.

# PIC12CE5XX

## 4.2.3 EEPROM DATA MEMORY

The PIC12CE518 and PIC12CE519 each have 16 bytes of EEPROM data memory. The EEPROM data memory supports a bi-directional 2-wire bus and data transmission protocol. Refer to Section 6.0 on EEPROM Peripherals.

## 4.3 STATUS Register

This register contains the arithmetic status of the ALU, the RESET status, and the page preselect bit for program memories larger than 512 words.

The STATUS register can be the destination for any instruction, as with any other register. If the STATUS register is the destination for an instruction that affects the Z, DC or C bits, then the write to these three bits is disabled. These bits are set or cleared according to the device logic. Furthermore, the  $\overline{\text{TO}}$  and  $\overline{\text{PD}}$  bits are not writable. Therefore, the result of an instruction with the STATUS register as destination may be different than intended.

For example, `CLRF STATUS` will clear the upper three bits and set the Z bit. This leaves the STATUS register as `000u u1uu` (where u = unchanged).

It is recommended, therefore, that only `BCF`, `BSF` and `MOVWF` instructions be used to alter the STATUS register because these instructions do not affect the Z, DC or C bits from the STATUS register. For other instructions, which do affect STATUS bits, see Instruction Set Summary.

**FIGURE 4-4: STATUS REGISTER (ADDRESS:03h)**

R/W-0	R/W-0	R/W-0	R-1	R-1	R/W-x	R/W-x	R/W-x
GPWUF	—	PA0	$\overline{\text{TO}}$	$\overline{\text{PD}}$	Z	DC	C
bit7	6	5	4	3	2	1	bit0
<p>bit 7: <b>GPWUF</b>: GPIO reset bit            1 = Reset due to wake-up from SLEEP on pin change            0 = After power up or other reset</p>							
<p>bit 6: <b>Unimplemented</b></p>							
<p>bit 5: <b>PA0</b>: Program page preselect bits            1 = Page 1 (200h - 3FFh) - PIC12CE519            0 = Page 0 (000h - 1FFh) - PIC12CE518 and PIC12CE519            Each page is 512 bytes.            Using the PA0 bit as a general purpose read/write bit in devices which do not use it for program page preselect is not recommended since this may affect upward compatibility with future products.</p>							
<p>bit 4: <b><math>\overline{\text{TO}}</math></b>: Time-out bit            1 = After power-up, <code>CLRWD</code> instruction, or <code>SLEEP</code> instruction            0 = A WDT time-out occurred</p>							
<p>bit 3: <b><math>\overline{\text{PD}}</math></b>: Power-down bit            1 = After power-up or by the <code>CLRWD</code> instruction            0 = By execution of the <code>SLEEP</code> instruction</p>							
<p>bit 2: <b>Z</b>: Zero bit            1 = The result of an arithmetic or logic operation is zero            0 = The result of an arithmetic or logic operation is not zero</p>							
<p>bit 1: <b>DC</b>: Digit carry/borrow bit (for <code>ADDWF</code> and <code>SUBWF</code> instructions)  <b>ADDWF</b>            1 = A carry from the 4th low order bit of the result occurred            0 = A carry from the 4th low order bit of the result did not occur  <b>SUBWF</b>            1 = A borrow from the 4th low order bit of the result did not occur            0 = A borrow from the 4th low order bit of the result occurred</p>							
<p>bit 0: <b>C</b>: Carry/borrow bit (for <code>ADDWF</code>, <code>SUBWF</code> and <code>RRF</code>, <code>RLF</code> instructions)  <b>ADDWF</b>            1 = A carry occurred            0 = A carry did not occur  <b>SUBWF</b>            1 = A borrow did not occur            0 = A borrow occurred  <b>RRF or RLF</b>            Load bit with LSB or MSB, respectively</p>							

## 4.4 OPTION Register

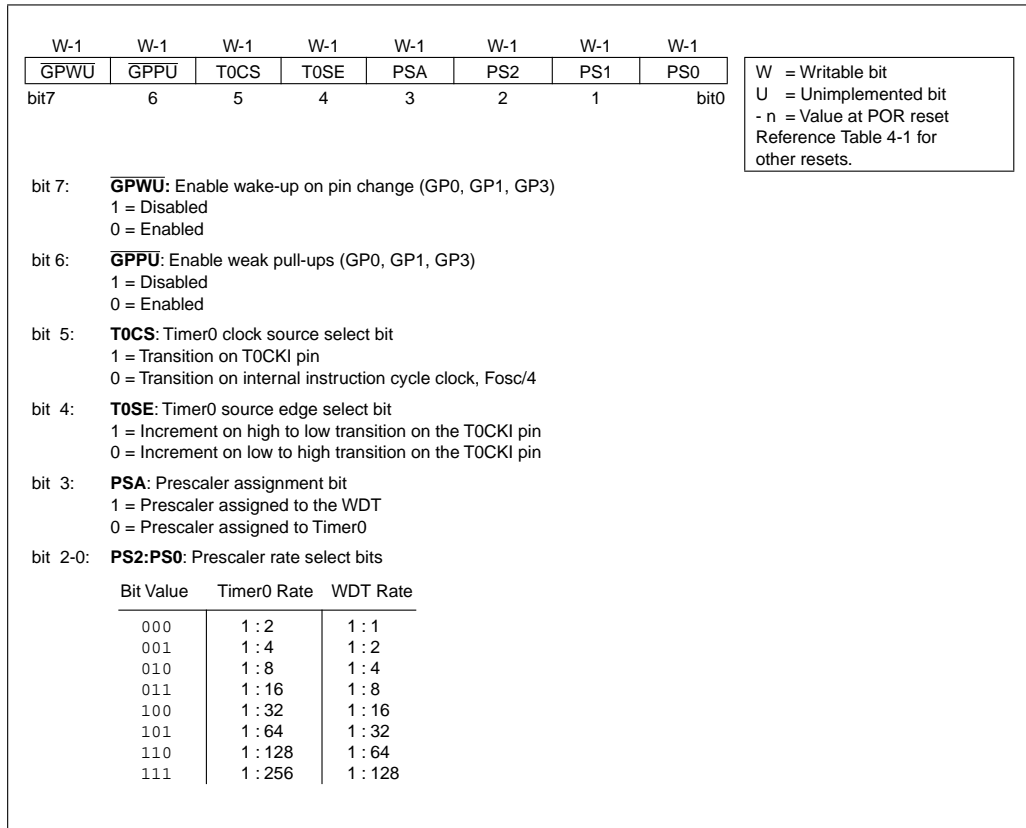
The OPTION register is a 8-bit wide, write-only register which contains various control bits to configure the Timer0/WDT prescaler and Timer0.

By executing the OPTION instruction, the contents of the W register will be transferred to the OPTION register. A RESET sets the OPTION<7:0> bits.

**Note:** If TRIS bit is set to '0', the wake-up on change and pull-up functions are disabled for that pin; i.e., note that TRIS overrides OPTION control of GPPU and GPWU.

**Note:** If the T0CS bit is set to '1', GP2 is forced to be an input even if TRIS GP2 = '0'.

**FIGURE 4-5: OPTION REGISTER**



# PIC12CE5XX

## 4.5 OSCCAL Register

The Oscillator Calibration (OSCCAL) register is used to calibrate the internal 4 MHz oscillator. It contains four bits for fine calibration and two other bits to either increase or decrease frequency.

**FIGURE 4-6: OSCCAL REGISTER (ADDRESS 8Fh)**

R/W-0	R/W-1	R/W-1	R/W-1	R/W-0	R/W-0	U-0	U-0	
CAL3	CAL2	CAL1	CAL0	CALFST	CALSLW	—	—	
bit7						bit0		
								R = Readable bit W = Writable bit U = Unimplemented bit, read as '0' - n = Value at POR reset
bit 7-4: <b>CAL&lt;3:0&gt;</b> : Fine calibration								
bit 3: <b>CALFST</b> : Calibration Fast 1 = Increase frequency 0 = No change								
bit 2: <b>CALSLW</b> : Calibration Slow 1 = Decrease frequency 0 = No change								
bit 1-0: <b>Unimplemented</b> : Read as '0'								
<b>Note:</b> If CALFST = 1 and CALSLW = 1, CALFST has precedence.								



## 4.6 Program Counter

As a program instruction is executed, the Program Counter (PC) will contain the address of the next program instruction to be executed. The PC value is increased by one every instruction cycle, unless an instruction changes the PC.

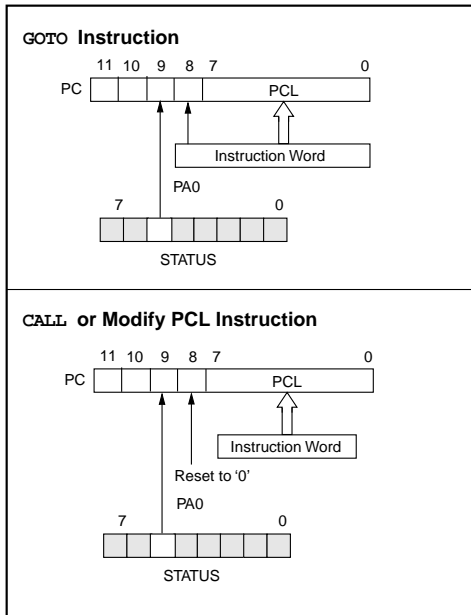
For a *GOTO* instruction, bits 8:0 of the PC are provided by the *GOTO* instruction word. The PC Latch (PCL) is mapped to PC<7:0>. Bit 5 of the STATUS register provides page information to bit 9 of the PC (Figure 4-7).

For a *CALL* instruction, or any instruction where the PCL is the destination, bits 7:0 of the PC again are provided by the instruction word. However, PC<8> does not come from the instruction word, but is always cleared (Figure 4-7).

Instructions where the PCL is the destination, or Modify PCL instructions, include *MOVWF PC*, *ADDWF PC*, and *BSF PC, 5*.

**Note:** Because PC<8> is cleared in the *CALL* instruction, or any Modify PCL instruction, all subroutine calls or computed jumps are limited to the first 256 locations of any program memory page (512 words long).

**FIGURE 4-7: LOADING OF PC BRANCH INSTRUCTIONS - PIC12CE518/CE519**



### 4.6.1 EFFECTS OF RESET

The Program Counter is set upon a RESET, which means that the PC addresses the last location in the last page i.e., the oscillator calibration instruction. After executing *MOVLW XX*, the PC will roll over to location 00h, and begin executing user code.

The STATUS register page preselect bits are cleared upon a RESET, which means that page 0 is preselected.

Therefore, upon a RESET, a *GOTO* instruction will automatically cause the program to jump to page 0 until the value of the page bits is altered.

## 4.7 Stack

PIC12CE5XX devices have a 12-bit wide hardware push/pop stack.

A *CALL* instruction will *push* the current value of stack 1 into stack 2 and then push the current program counter value, incremented by one, into stack level 1. If more than two sequential *CALL*'s are executed, only the most recent two return addresses are stored.

A *RETLW* instruction will *pop* the contents of stack level 1 into the program counter and then copy stack level 2 contents into level 1. If more than two sequential *RETLW*'s are executed, the stack will be filled with the address previously stored in level 2. Note that the W register will be loaded with the literal value specified in the instruction. This is particularly useful for the implementation of data look-up tables within the program memory.

# PIC12CE5XX

## 4.8 Indirect Data Addressing: INDF and FSR Registers

The INDF register is not a physical register. Addressing INDF actually addresses the register whose address is contained in the FSR register (FSR is a *pointer*). This is indirect addressing.

### EXAMPLE 4-1: INDIRECT ADDRESSING

- Register file 07 contains the value 10h
- Register file 08 contains the value 0Ah
- Load the value 07 into the FSR register
- A read of the INDF register will return the value of 10h
- Increment the value of the FSR register by one (FSR = 08)
- A read of the INDR register now will return the value of 0Ah.

Reading INDF itself indirectly (FSR = 0) will produce 00h. Writing to the INDF register indirectly results in a no-operation (although STATUS bits may be affected).

A simple program to clear RAM locations 10h-1Fh using indirect addressing is shown in Example 4-2.

### EXAMPLE 4-2: HOW TO CLEAR RAM USING INDIRECT ADDRESSING

```

movlw 0x10 ;initialize pointer
movwf FSR ; to RAM
NEXT   clr  INDF ;clear INDF register
       incf FSR,F ;inc pointer
       btfsc FSR,4 ;all done?
       goto NEXT ;NO, clear next

CONTINUE
:      ;YES, continue
    
```

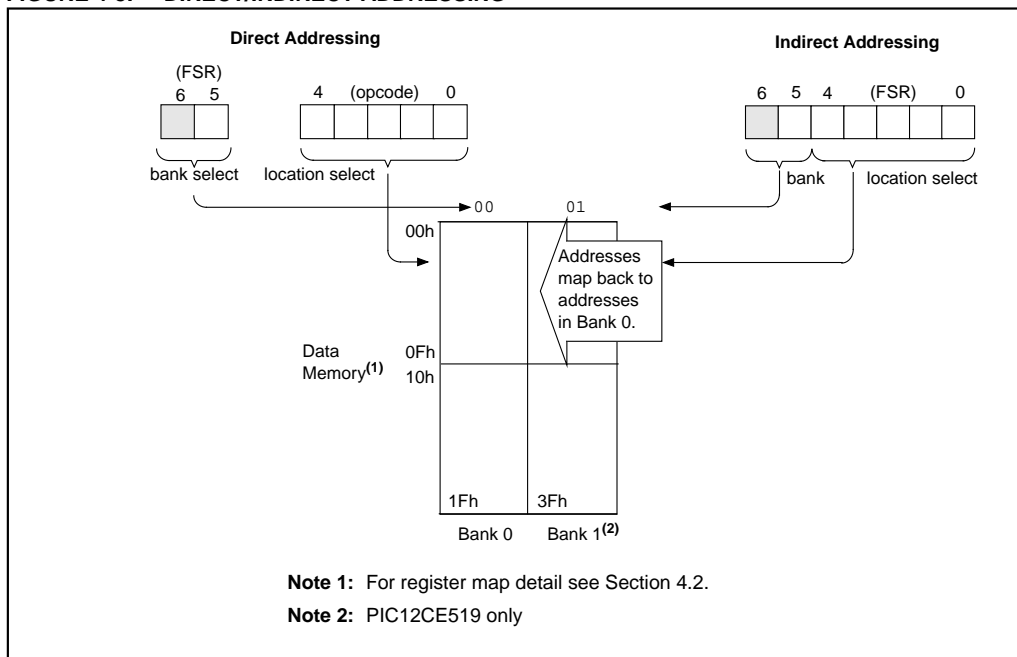
The FSR is a 5-bit wide register. It is used in conjunction with the INDF register to indirectly address the data memory area.

The FSR<4:0> bits are used to select data memory addresses 00h to 1Fh.

**PIC12CE518:** Does not use banking. FSR<6:5> are unimplemented and read as '1's.

**PIC12CE519:** Uses FSR<5>. Selects between bank 0 and bank 1. FSR<6> is unimplemented, read as '1'.

FIGURE 4-8: DIRECT/INDIRECT ADDRESSING



## 5.0 PIC12CE518 I/O PORT

As with any other register, the I/O register can be written and read under program control. However, read instructions (e.g., `MOVWF GPIO, W`) always read the I/O pins independent of the pin's input/output modes. On RESET, all GPIO ports are defined as input (inputs are at hi-impedance) since the I/O control registers are all set.

### 5.1 GPIO

GPIO is an 8-bit I/O register. Only the low order 6 bits are used (GP5:GP0) for pin control. Bits 6 and 7 (SDA and SCL) are used by the EEPROM peripheral. Refer to Section 6.0 and Appendix A for use of SDA and SCL. Please note that GP3 is an input only pin. The configuration word can set several I/O's to alternate functions. When acting as alternate functions the pins will read as '0' during port read. Pins GP0, GP1, and GP3 can be configured with weak pull-ups and also with wake-up on change. The wake-up on change and weak pull-up functions are not pin selectable. If pin 4 is configured as `MCLR`, weak pull-up is always on and wake-up on change for this pin is not enabled.

### 5.2 TRIS Register

The output driver control register is loaded with the contents of the W register by executing the `TRIS f` instruction. A '1' from a TRIS register bit puts the corresponding output driver in a hi-impedance mode. A '0' puts the contents of the output data latch on the selected pins, enabling the output buffer. The exceptions are GP3 which is input only and GP2 which may be controlled by the option register, see Figure 4-5.

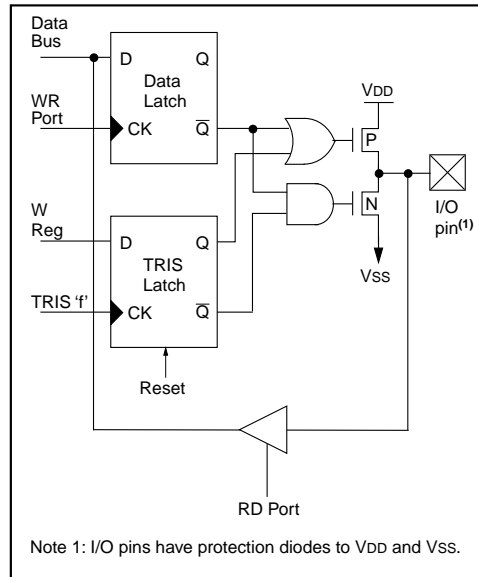
**Note:** A read of the ports reads the pins, not the output data latches. That is, if an output driver on a pin is enabled and driven high, but the external system is holding it low, a read of the port will indicate that the pin is low.

The TRIS registers are "write-only" and are set (output drivers disabled) upon RESET.

## 5.3 I/O Interfacing

The equivalent circuit for an I/O port pin is shown in Figure 5-1. All port pins, except GP3 which is input only, may be used for both input and output operations. For input operations these ports are non-latching. Any input must be present until read by an input instruction (e.g., `MOVWF GPIO, W`). The outputs are latched and remain unchanged until the output latch is rewritten. To use a port pin as output, the corresponding direction control bit in TRIS must be cleared (= 0). For use as an input, the corresponding TRIS bit must be set. Any I/O pin (except GP3) can be programmed individually as input or output.

**FIGURE 5-1: EQUIVALENT CIRCUIT FOR A SINGLE I/O PIN**



**TABLE 5-1: SUMMARY OF PORT REGISTERS**

Address	Name	Bit 7	Bit 6	Bit 5	Bit 4	Bit 3	Bit 2	Bit 1	Bit 0	Value on Power-On Reset	Value on MCLR and WDT Reset	Value on Wake-up on Pin Change
N/A	TRIS	—	—	I/O control registers						--11 1111	--11 1111	--11 1111
N/A	OPTION	GPWU	GPPU	T0CS	T0SE	PSA	PS2	PS1	PS0	1111 1111	1111 1111	1111 1111
03H	STATUS	GPWUF	—	PA0	T0	PD	Z	DC	C	0001 1xxxx	000q quuu	100q quuu
06h	GPIO	SCL	SDA	GP5	GP4	GP3	GP2	GP1	GP0	11xx xxxxx	11uu uuuu	11uu uuuu

Legend: Shaded cells not used by Port Registers, read as '0', — = unimplemented, read as '0', x = unknown, u = unchanged, q = see tables in Section 8.7 for possible values.

# PIC12CE5XX

## 5.4 I/O Programming Considerations

### 5.4.1 BI-DIRECTIONAL I/O PORTS

Some instructions operate internally as read followed by write operations. The BCF and BSF instructions, for example, read the entire port into the CPU, execute the bit operation and re-write the result. Caution must be used when these instructions are applied to a port where one or more pins are used as input/outputs. For example, a BSF operation on bit5 of GPIO will cause all eight bits of GPIO to be read into the CPU, bit5 to be set and the GPIO value to be written to the output latches. If another bit of GPIO is used as a bi-directional I/O pin (say bit0) and it is defined as an input at this time, the input signal present on the pin itself would be read into the CPU and rewritten to the data latch of this particular pin, overwriting the previous content. As long as the pin stays in the input mode, no problem occurs. However, if bit0 is switched into output mode later on, the content of the data latch may now be unknown.

Example 5-1 shows the effect of two sequential read-modify-write instructions (e.g., BCF, BSF, etc.) on an I/O port.

A pin actively outputting a high or a low should not be driven from external devices at the same time in order to change the level on this pin (“wired-or”, “wired-and”). The resulting high output currents may damage the chip.

### EXAMPLE 5-1: READ-MODIFY-WRITE INSTRUCTIONS ON AN I/O PORT

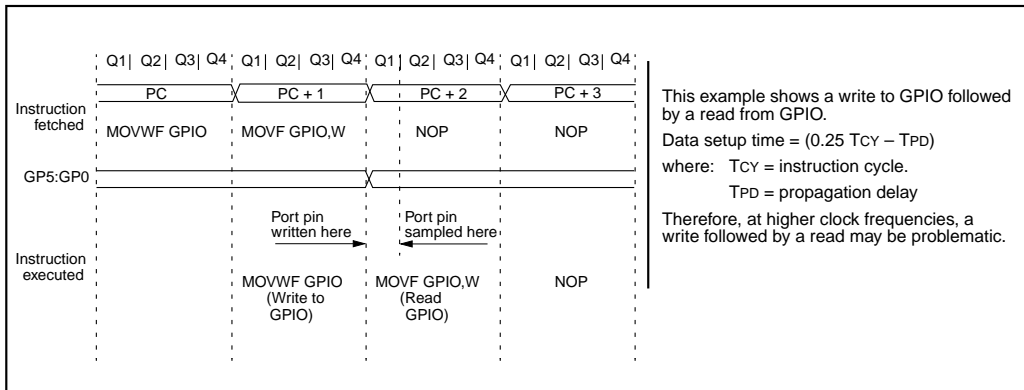
```

;Initial GPIO Settings
; GPIO<5:3> Inputs
; GPIO<2:0> Outputs
;
;
;           GPIO latch  GPIO pins
;           -----  -
BCF  GPIO, 5  ;--01 -ppp  --11 pppp
BCF  GPIO, 4  ;--10 -ppp  --11 pppp
MOVLW 007h   ;
TRIS GPIO    ;--10 -ppp  --11 pppp
;
;Note that the user may have expected the pin
;values to be --00 pppp. The 2nd BCF caused
;GP5 to be latched as the pin value (High).
    
```

### 5.4.2 SUCCESSIVE OPERATIONS ON I/O PORTS

The actual write to an I/O port happens at the end of an instruction cycle, whereas for reading, the data must be valid at the beginning of the instruction cycle (Figure 5-2). Therefore, care must be exercised if a write followed by a read operation is carried out on the same I/O port. The sequence of instructions should allow the pin voltage to stabilize (load dependent) before the next instruction, which causes that file to be read into the CPU, is executed. Otherwise, the previous state of that pin may be read into the CPU rather than the new state. When in doubt, it is better to separate these instructions with a NOP or another instruction not accessing this I/O port.

FIGURE 5-2: SUCCESSIVE I/O OPERATION



## 6.0 EEPROM PERIPHERAL OPERATION

The PIC12CE518 and PIC12CE519 each have 16 bytes of EEPROM data memory. The EEPROM memory has an endurance of 1,000,000 erase/write cycles and a data retention of greater than 40 years. The EEPROM data memory supports a bi-directional 2-wire bus and data transmission protocol. These two-wires are serial data (SDA) and serial clock (SCL), that are mapped to bit6 and bit7, respectively, of the GPIO register (SFR 06h). Unlike the GP0-GP5 that are connected to the I/O pins, SDA and SCL are only connected to the internal EEPROM peripheral. For most applications, all that is required is calls to the following functions:

```

; Byte_Write: Byte write routine
;   Inputs: EEPROM Address   EEADDR
;           EEPROM Data     EEDATA
;   Outputs: Return 01 in W if OK, else
;            return 00 in W
;
; Read_Current: Read EEPROM at address
;               currently held by EE device.
;   Inputs: NONE
;   Outputs: EEPROM Data     EEDATA
;            Return 01 in W if OK, else
;            return 00 in W
;
; Read_Random: Read EEPROM byte at supplied
;               address
;   Inputs: EEPROM Address   EEADDR
;   Outputs: EEPROM Data     EEDATA
;            Return 01 in W if OK,
;            else return 00 in W

```

The code for these functions is listed in Appendix A, and is accessed by either including the source code EEPROM.INC or by linking EEPROM.ASM.

### 6.0.1 SERIAL DATA

SDA is a bi-directional pin used to transfer addresses and data into and data out of the device.

For normal data transfer SDA is allowed to change only during SCL low. Changes during SCL high are reserved for indicating the START and STOP conditions.

### 6.0.2 SERIAL CLOCK

This SCL input is used to synchronize the data transfer from and to the device.

## 6.1 BUS CHARACTERISTICS

The following **bus protocol** is to be used with the EEPROM data memory.

- Data transfer may be initiated only when the bus is not busy.

During data transfer, the data line must remain stable whenever the clock line is HIGH. Changes in the data line while the clock line is HIGH will be interpreted as a START or STOP condition.

Accordingly, the following bus conditions have been defined (Figure 6-1).

### 6.1.1 BUS NOT BUSY (A)

Both data and clock lines remain HIGH.

### 6.1.2 START DATA TRANSFER (B)

A HIGH to LOW transition of the SDA line while the clock (SCL) is HIGH determines a START condition. All commands must be preceded by a START condition.

### 6.1.3 STOP DATA TRANSFER (C)

A LOW to HIGH transition of the SDA line while the clock (SCL) is HIGH determines a STOP condition. All operations must be ended with a STOP condition.

### 6.1.4 DATA VALID (D)

The state of the data line represents valid data when, after a START condition, the data line is stable for the duration of the HIGH period of the clock signal.

The data on the line must be changed during the LOW period of the clock signal. There is one bit of data per clock pulse.

Each data transfer is initiated with a START condition and terminated with a STOP condition. The number of the data bytes transferred between the START and STOP conditions is determined by the master device and is theoretically unlimited.

### 6.1.5 ACKNOWLEDGE

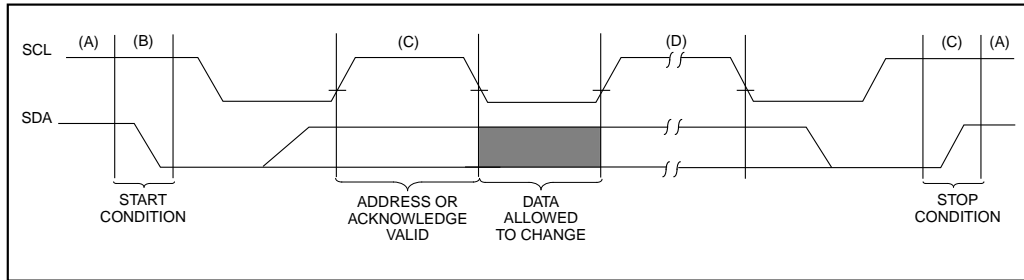
Each receiving device, when addressed, is obliged to generate an acknowledge after the reception of each byte. The master device must generate an extra clock pulse which is associated with this acknowledge bit.

**Note:** Acknowledge bits are generated if an internal programming cycle is in progress.

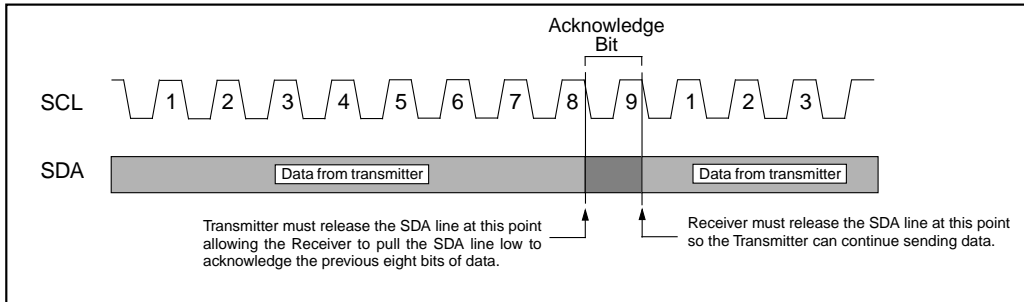
The device that acknowledges has to pull down the SDA line during the acknowledge clock pulse in such a way that the SDA line is stable LOW during the HIGH period of the acknowledge related clock pulse. Of course, setup and hold times must be taken into account. A master must signal an end of data to the slave by not generating an acknowledge bit on the last byte that has been clocked out of the slave. In this case, the slave must leave the data line HIGH to enable the master to generate the STOP condition (Figure 6-2).

# PIC12CE5XX

**FIGURE 6-1: DATA TRANSFER SEQUENCE ON THE SERIAL BUS**



**FIGURE 6-2: ACKNOWLEDGE TIMING**

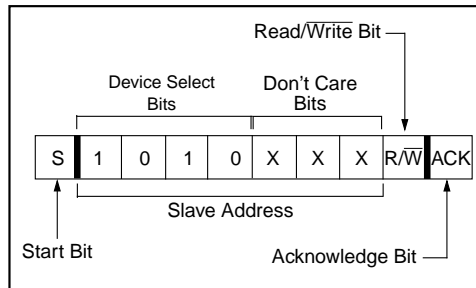


## 6.2 Device Addressing

After generating a START condition, the bus master transmits a control byte consisting of a slave address and a Read/Write bit that indicates what type of operation is to be performed. The slave address consists of a 4-bit device code (1010) followed by three don't care bits.

The last bit of the control byte determines the operation to be performed. When set to a one a read operation is selected, and when set to a zero a write operation is selected. (Figure 6-3). The bus is monitored for its corresponding slave address all the time. It generates an acknowledge bit if the slave address was true and it is not in a programming mode.

**FIGURE 6-3: CONTROL BYTE FORMAT**



## 6.3 WRITE OPERATIONS

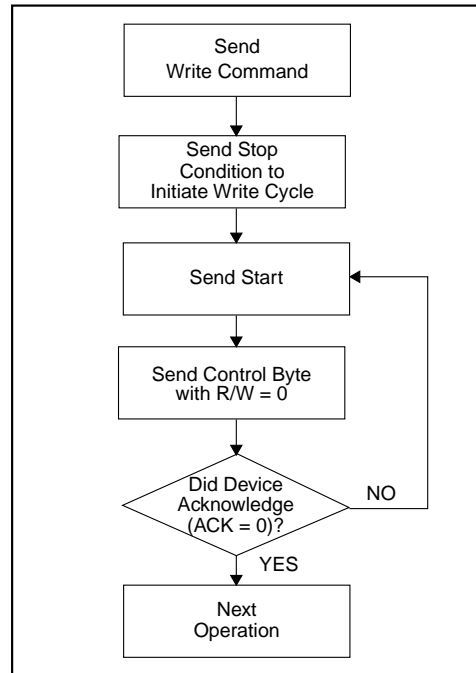
### 6.3.1 BYTE WRITE

Following the start signal from the master, the device code (4 bits), the don't care bits (3 bits), and the R/W bit (which is a logic low) are placed onto the bus by the master transmitter. This indicates to the addressed slave receiver that a byte with a word address will follow after it has generated an acknowledge bit during the ninth clock cycle. Therefore, the next byte transmitted by the master is the word address and will be written into the address pointer. Only the lower four address bits are used by the device, and the upper four bits are don't cares. The address byte is acknowledgeable and the master device will then transmit the data word to be written into the addressed memory location. The memory acknowledges again and the master generates a stop condition. This initiates the internal write cycle, and during this time will not generate acknowledge signals (Figure 6-5). After a byte write command, the internal address counter will not be incremented and will point to the same address location that was just written. If a stop bit is transmitted to the device at any point in the write command sequence before the entire sequence is complete, then the command will abort and no data will be written. If more than 8 data bits are transmitted before the stop bit is sent, then the device will clear the previously loaded byte and begin loading the data buffer again. If more than one data byte is transmitted to the device and a stop bit is sent before a full eight data bits have been transmitted, then the write command will abort and no data will be written. The EEPROM memory employs a VCC threshold detector circuit which disables the internal erase/write logic if the VCC is below minimum VDD.

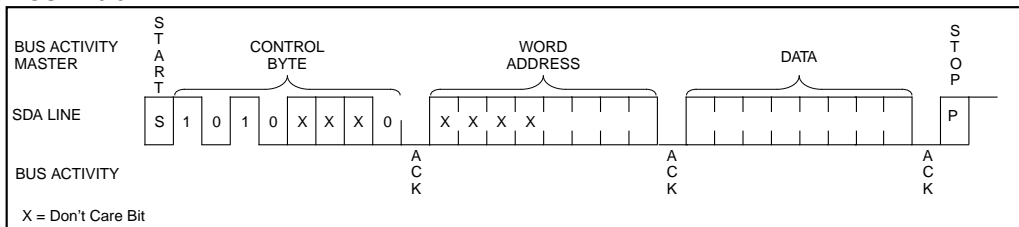
## 6.4 ACKNOWLEDGE POLLING

Since the device will not acknowledge during a write cycle, this can be used to determine when the cycle is complete (this feature can be used to maximize bus throughput). Once the stop condition for a write command has been issued from the master, the device initiates the internally timed write cycle. ACK polling can be initiated immediately. This involves the master sending a start condition followed by the control byte for a write command (R/W = 0). If the device is still busy with the write cycle, then no ACK will be returned. If no ACK is returned, then the start bit and control byte must be re-sent. If the cycle is complete, then the device will return the ACK and the master can then proceed with the next read or write command. See Figure 6-4 for flow diagram.

**FIGURE 6-4: ACKNOWLEDGE POLLING FLOW**



**FIGURE 6-5: BYTE WRITE**



## 6.5 READ OPERATIONS

Read operations are initiated in the same way as write operations with the exception that the  $R/\overline{W}$  bit of the slave address is set to one. There are three basic types of read operations: current address read, random read, and sequential read.

### 6.5.1 CURRENT ADDRESS READ

It contains an address counter that maintains the address of the last word accessed, internally incremented by one. Therefore, if the previous read access was to address  $n$ , the next current address read operation would access data from address  $n + 1$ . Upon receipt of the slave address with the  $R/\overline{W}$  bit set to one, the device issues an acknowledge and transmits the eight bit data word. The master will not acknowledge the transfer but does generate a stop condition and the device discontinues transmission (Figure 6-6).

### 6.5.2 RANDOM READ

Random read operations allow the master to access any memory location in a random manner. To perform this type of read operation, first the word address must be set. This is done by sending the word address to the

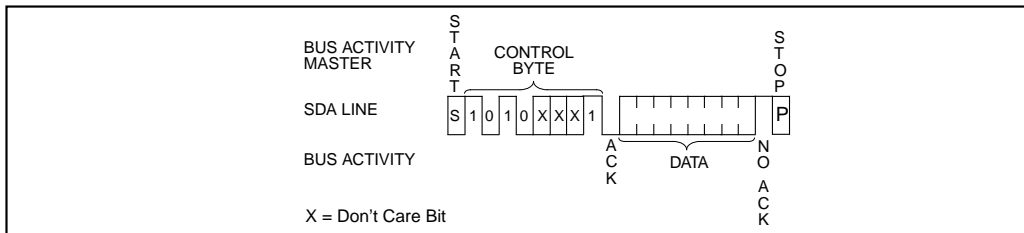
device as part of a write operation. After the word address is sent, the master generates a start condition following the acknowledge. This terminates the write operation, but not before the internal address pointer is set. Then the master issues the control byte again but with the  $R/\overline{W}$  bit set to a one. It will then issue an acknowledge and transmits the eight bit data word. The master will not acknowledge the transfer but does generate a stop condition and the device discontinues transmission (Figure 6-7). After this command, the internal address counter will point to the address location following the one that was just read.

### 6.5.3 SEQUENTIAL READ

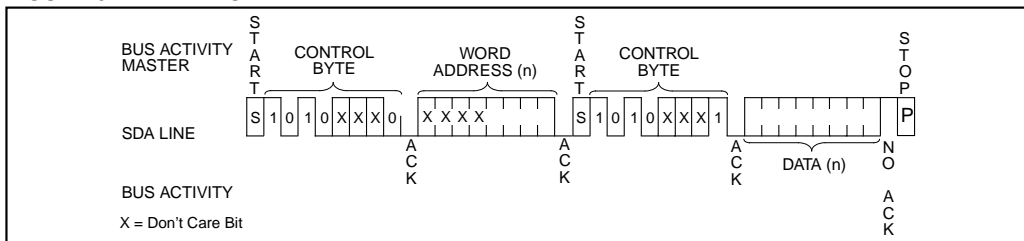
Sequential reads are initiated in the same way as a random read except that after the device transmits the first data byte, the master issues an acknowledge as opposed to a stop condition in a random read. This directs the device to transmit the next sequentially addressed 8-bit word (Figure 6-8).

To provide sequential reads, it contains an internal address pointer which is incremented by one at the completion of each read operation. This address pointer allows the entire memory contents to be serially read during one operation.

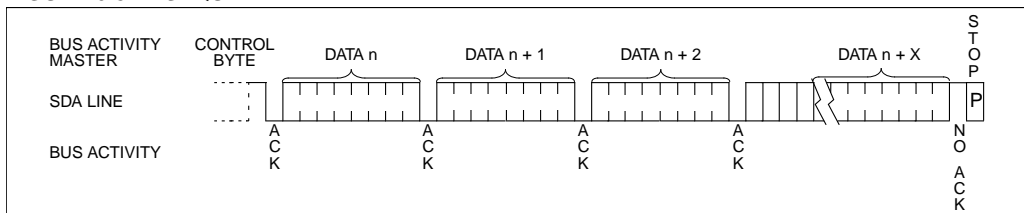
**FIGURE 6-6: CURRENT ADDRESS READ**



**FIGURE 6-7: RANDOM READ**



**FIGURE 6-8: SEQUENTIAL READ**





## 7.0 TIMER0 MODULE AND TMR0 REGISTER

The Timer0 module has the following features:

- 8-bit timer/counter register, TMR0
  - Readable and writable
- 8-bit software programmable prescaler
- Internal or external clock select
  - Edge select for external clock

Figure 7-1 is a simplified block diagram of the Timer0 module.

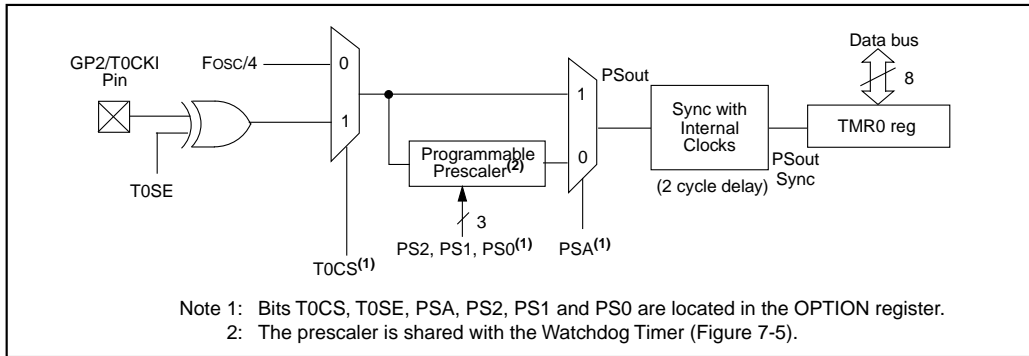
Timer mode is selected by clearing the T0CS bit (OPTION<5>). In timer mode, the Timer0 module will increment every instruction cycle (without prescaler). If TMR0 register is written, the increment is inhibited for the following two cycles (Figure 7-2 and Figure 7-3). The user can work around this by writing an adjusted value to the TMR0 register.

Counter mode is selected by setting the T0CS bit (OPTION<5>). In this mode, Timer0 will increment either on every rising or falling edge of pin T0CKI. The T0SE bit (OPTION<4>) determines the source edge. Clearing the T0SE bit selects the rising edge. Restrictions on the external clock input are discussed in detail in Section 7.1.

The prescaler may be used by either the Timer0 module or the Watchdog Timer, but not both. The prescaler assignment is controlled in software by the control bit PSA (OPTION<3>). Clearing the PSA bit will assign the prescaler to Timer0. The prescaler is not readable or writable. When the prescaler is assigned to the Timer0 module, prescale values of 1:2, 1:4, ..., 1:256 are selectable. Section 7.2 details the operation of the prescaler.

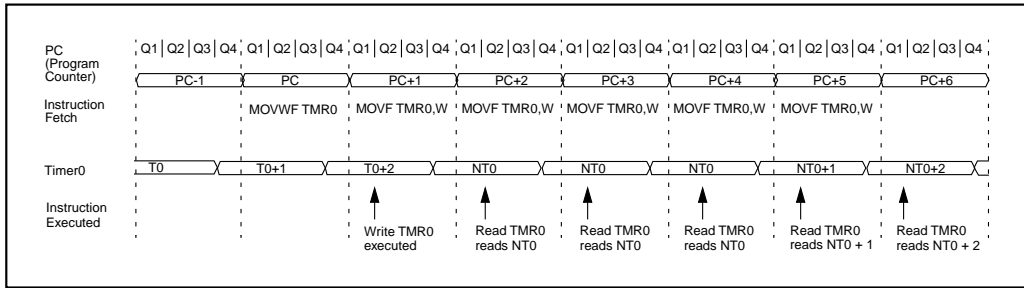
A summary of registers associated with the Timer0 module is found in Table 7-1.

**FIGURE 7-1: TIMER0 BLOCK DIAGRAM**

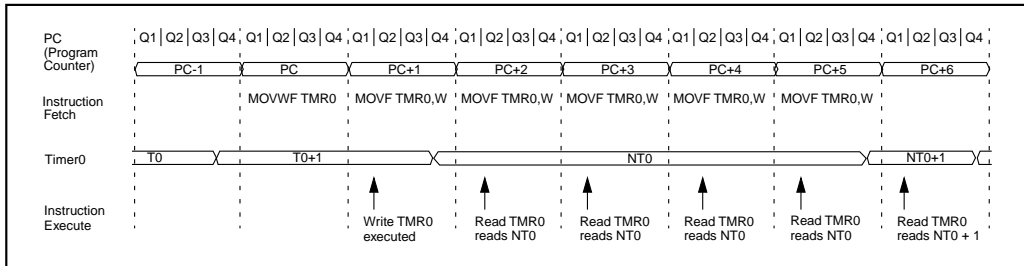


# PIC12CE5XX

**FIGURE 7-2: TIMER0 TIMING: INTERNAL CLOCK/NO PRESCALE**



**FIGURE 7-3: TIMER0 TIMING: INTERNAL CLOCK/PRESCALE 1:2**



**TABLE 7-1: REGISTERS ASSOCIATED WITH TIMER0**

Address	Name	Bit 7	Bit 6	Bit 5	Bit 4	Bit 3	Bit 2	Bit 1	Bit 0	Value on Power-On Reset	Value on MCLR and WDT Reset	Value on Wake-up on Pin Change
01h	TMR0	Timer0 - 8-bit real-time clock/counter								xxxx xxxx	uuuu uuuu	uuuu uuuu
N/A	OPTION	GPWU	GPPU	T0CS	T0SE	PSA	PS2	PS1	PS0	1111 1111	1111 1111	1111 1111
N/A	TRIS	I/O control registers								--11 1111	--11 1111	--11 1111

Legend: Shaded cells not used by Timer0, - = unimplemented, x = unknown, u = unchanged,

## 7.1 Using Timer0 with an External Clock

When an external clock input is used for Timer0, it must meet certain requirements. The external clock requirement is due to internal phase clock (TOSC) synchronization. Also, there is a delay in the actual incrementing of Timer0 after synchronization.

### 7.1.1 EXTERNAL CLOCK SYNCHRONIZATION

When no prescaler is used, the external clock input is the same as the prescaler output. The synchronization of T0CKI with the internal phase clocks is accomplished by sampling the prescaler output on the Q2 and Q4 cycles of the internal phase clocks (Figure 7-4). Therefore, it is necessary for T0CKI to be high for at least 2TOSC (and a small RC delay of 20 ns) and low for at least 2TOSC (and a small RC delay of 20 ns). Refer to the electrical specification of the desired device.

When a prescaler is used, the external clock input is divided by the asynchronous ripple counter-type prescaler so that the prescaler output is symmetrical. For the external clock to meet the sampling requirement, the ripple counter must be taken into account. Therefore, it is necessary for T0CKI to have a period of at least 4TOSC (and a small RC delay of 40 ns) divided by the prescaler value. The only requirement on T0CKI high and low time is that they do not violate the minimum pulse width requirement of 10 ns. Refer to parameters 40, 41 and 42 in the electrical specification of the desired device.

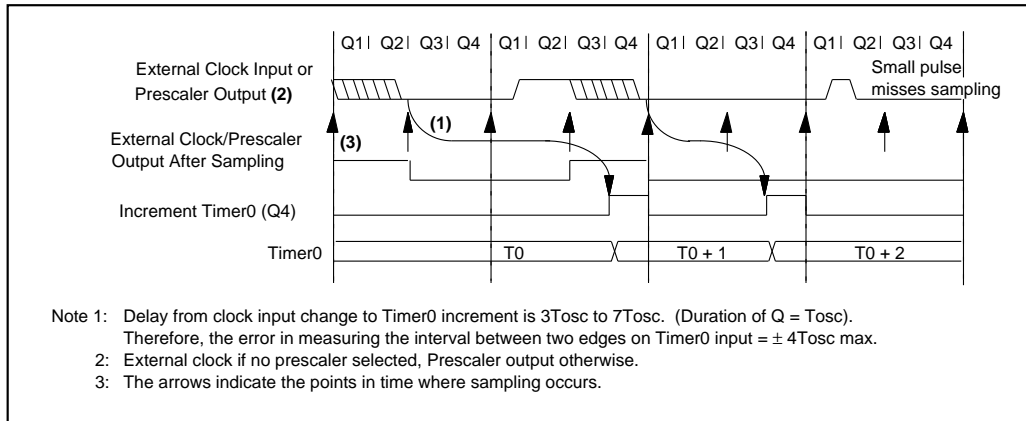
### 7.1.2 TIMER0 INCREMENT DELAY

Since the prescaler output is synchronized with the internal clocks, there is a small delay from the time the external clock edge occurs to the time the Timer0 module is actually incremented. Figure 7-4 shows the delay from the external clock edge to the timer incrementing.

### 7.1.3 OPTION REGISTER EFFECT ON GP2 TRIS

If the option register is set to read TIMER0 from the pin, the port is forced to an input regardless of the TRIS register setting.

**FIGURE 7-4: TIMER0 TIMING WITH EXTERNAL CLOCK**



# PIC12CE5XX

## 7.2 Prescaler

An 8-bit counter is available as a prescaler for the Timer0 module, or as a postscaler for the Watchdog Timer (WDT), respectively (Section 8.6). For simplicity, this counter is being referred to as “prescaler” throughout this data sheet. Note that the prescaler may be used by either the Timer0 module or the WDT, but not both. Thus, a prescaler assignment for the Timer0 module means that there is no prescaler for the WDT, and vice-versa.

The PSA and PS2:PS0 bits (OPTION<3:0>) determine prescaler assignment and prescale ratio.

When assigned to the Timer0 module, all instructions writing to the TMR0 register (e.g., CLRF 1, MOVWF 1, BSF 1,x, etc.) will clear the prescaler. When assigned to WDT, a CLRWDT instruction will clear the prescaler along with the WDT. The prescaler is neither readable nor writable. On a RESET, the prescaler contains all '0's.

### 7.2.1 SWITCHING PRESCALER ASSIGNMENT

The prescaler assignment is fully under software control (i.e., it can be changed “on the fly” during program execution). To avoid an unintended device RESET, the following instruction sequence (Example 7-1) must be executed when changing the prescaler assignment from Timer0 to the WDT.

### EXAMPLE 7-1: CHANGING PRESCALER (TIMER0→WDT)

```

1. CLRWDT           ;Clear WDT
2. CLRF   TMR0     ;Clear TMR0 & Prescaler
3. MOVLW '00xx1111'b ;These 3 lines (5, 6, 7)
4. OPTION          ; are required only if
                   ; desired
5. CLRWDT           ;PS<2:0> are 000 or 001
6. MOVLW '00xx1xxx'b ;Set Postscaler to
7. OPTION          ; desired WDT rate
    
```

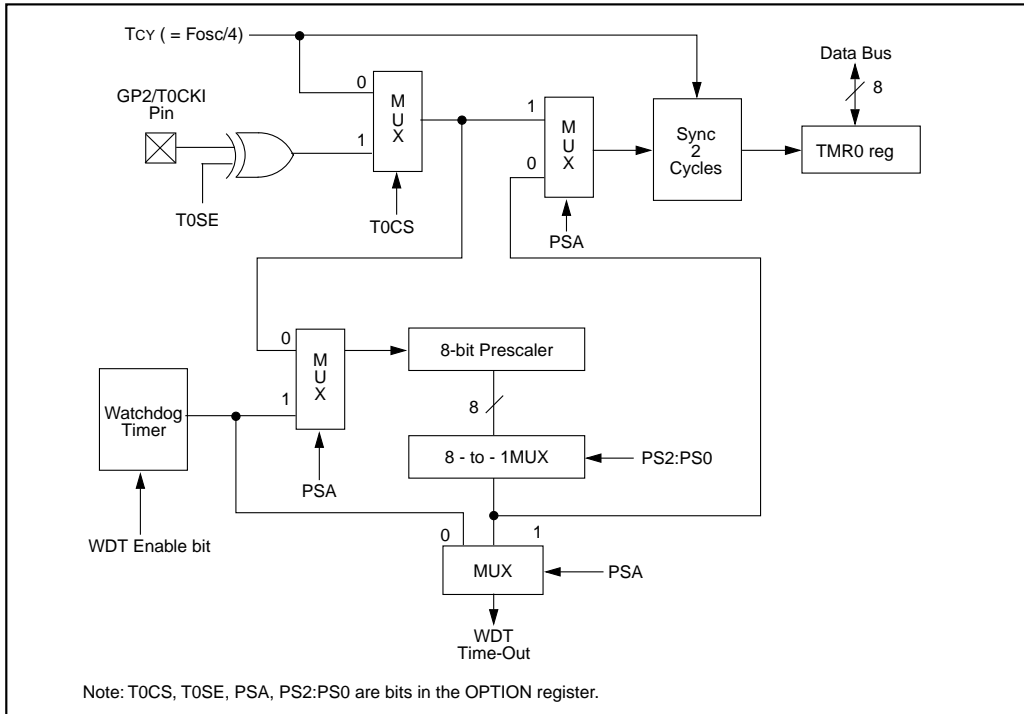
To change prescaler from the WDT to the Timer0 module, use the sequence shown in Example 7-2. This sequence must be used even if the WDT is disabled. A CLRWDT instruction should be executed before switching the prescaler.

### EXAMPLE 7-2: CHANGING PRESCALER (WDT→TIMER0)

```

CLRWDT           ;Clear WDT and
                ;prescaler
MOVLW 'xxxx0xxx' ;Select TMR0, new
                ;prescale value and
                ;clock source
OPTION
    
```

FIGURE 7-5: BLOCK DIAGRAM OF THE TIMER0/WDT PRESCALER



## 8.0 SPECIAL FEATURES OF THE CPU

What sets a microcontroller apart from other processors are special circuits to deal with the needs of real-time applications. The PIC12CE5XX family of microcontrollers has a host of such features intended to maximize system reliability, minimize cost through elimination of external components, provide power saving operating modes and offer code protection. These features are:

- Oscillator selection
- Reset
  - Power-On Reset (POR)
  - Device Reset Timer (DRT)
  - Wake-up from SLEEP on pin change
- Watchdog Timer (WDT)
- SLEEP
- Code protection
- ID locations
- In-circuit Serial Programming

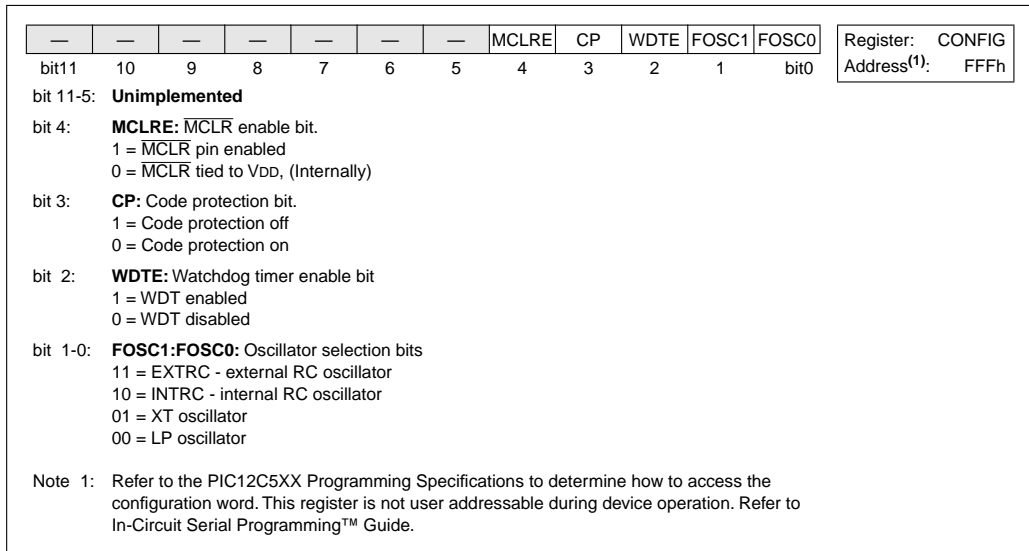
The PIC12CE5XX has a Watchdog Timer which can be shut off only through configuration bit WDTE. It runs off of its own RC oscillator for added reliability. If using XT or LP selectable oscillator options, there is always an 18 ms (nominal) delay provided by the Device Reset Timer (DRT), intended to keep the chip in reset until the crystal oscillator is stable. If using INTRC or EXTRC there is an 18 ms delay only on VDD power-up. With this timer on-chip, most applications need no external reset circuitry.

The SLEEP mode is designed to offer a very low current power-down mode. The user can wake-up from SLEEP through a change on input pins or through a Watchdog Timer time-out. Several oscillator options are also made available to allow the part to fit the application, including an internal 4 MHz oscillator. The EXTRC oscillator option saves system cost while the LP crystal option saves power. A set of configuration bits are used to select various options.

### 8.1 Configuration Bits

The PIC12CE5XX configuration word consists of 5 bits. Configuration bits can be programmed to select various device configurations. Two bits are for the selection of the oscillator type, one bit is the Watchdog Timer enable bit, and one bit is the MCLR enable bit. One bit is the code protection bit (Figure 8-1).

**FIGURE 8-1: CONFIGURATION WORD FOR PIC12CE5XX**



# PIC12CE5XX

## 8.2 Oscillator Configurations

### 8.2.1 OSCILLATOR TYPES

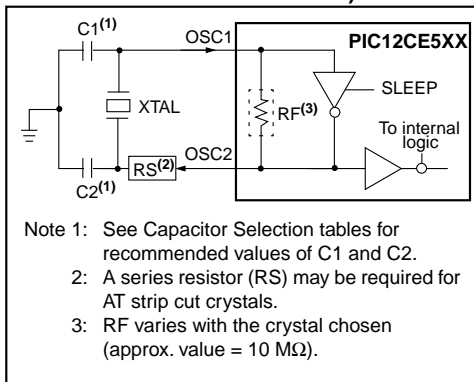
The PIC12CE5XX can be operated in four different oscillator modes. The user can program two configuration bits (FOSC1:FOSC0) to select one of these four modes:

- LP: Low Power Crystal
- XT: Crystal/Resonator
- INTRC: Internal 4 MHz Oscillator
- EXTRC: External Resistor/Capacitor

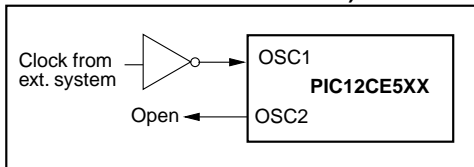
### 8.2.2 CRYSTAL OSCILLATOR / CERAMIC RESONATORS

In XT or LP modes, a crystal or ceramic resonator is connected to the GP5/OSC1/CLKIN and GP4/OSC2 pins to establish oscillation (Figure 8-2). The PIC12CE5XX oscillator design requires the use of a parallel cut crystal. Use of a series cut crystal may give a frequency out of the crystal manufacturers specifications. When in XT or LP modes, the device can have an external clock source drive the GP5/OSC1/CLKIN pin (Figure 8-3).

**FIGURE 8-2: CRYSTAL OPERATION (OR CERAMIC RESONATOR) (XT OR LP OSC CONFIGURATION)**



**FIGURE 8-3: EXTERNAL CLOCK INPUT OPERATION (XT OR LP OSC CONFIGURATION)**



**TABLE 8-1: CAPACITOR SELECTION FOR CERAMIC RESONATORS - PIC12CE5XX**

Osc Type	Resonator Freq	Cap. Range C1	Cap. Range C2
XT	4.0 MHz	30 pF	30 pF

These values are for design guidance only. Since each resonator has its own characteristics, the user should consult the resonator manufacturer for appropriate values of external components.

**TABLE 8-2: CAPACITOR SELECTION FOR CRYSTAL OSCILLATOR - PIC12CE5XX**

Osc Type	Resonator Freq	Cap. Range C1	Cap. Range C2
LP	32 kHz <sup>(1)</sup>	15 pF	15 pF
XT	200 kHz	47-68 pF	47-68 pF
	1 MHz	15 pF	15 pF
	4 MHz	15 pF	15 pF

Note 1: For VDD > 4.5V, C1 = C2  $\approx$  30 pF is recommended.

These values are for design guidance only. Rs may be required in XT mode to avoid overdriving crystals with low drive level specification. Since each crystal has its own characteristics, the user should consult the crystal manufacturer for appropriate values of external components.

## 8.2.3 EXTERNAL CRYSTAL OSCILLATOR CIRCUIT

Either a prepackaged oscillator or a simple oscillator circuit with TTL gates can be used as an external crystal oscillator circuit. Prepackaged oscillators provide a wide operating range and better stability. A well-designed crystal oscillator will provide good performance with TTL gates. Two types of crystal oscillator circuits can be used: one with parallel resonance, or one with series resonance.

Figure 8-4 shows implementation of a parallel resonant oscillator circuit. The circuit is designed to use the fundamental frequency of the crystal. The 74AS04 inverter performs the 180-degree phase shift that a parallel oscillator requires. The 4.7 kΩ resistor provides the negative feedback for stability. The 10 kΩ potentiometers bias the 74AS04 in the linear region. This circuit could be used for external oscillator designs.

**FIGURE 8-4: EXTERNAL PARALLEL RESONANT CRYSTAL OSCILLATOR CIRCUIT**

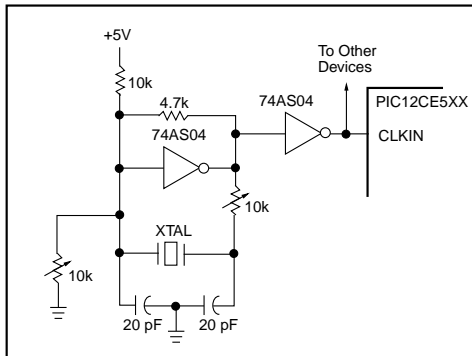
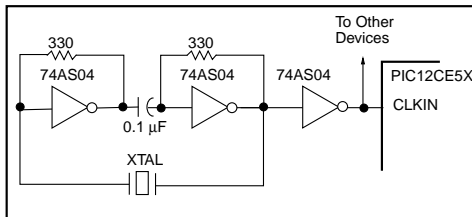


Figure 8-5 shows a series resonant oscillator circuit. This circuit is also designed to use the fundamental frequency of the crystal. The inverter performs a 180-degree phase shift in a series resonant oscillator circuit. The 330 Ω resistors provide the negative feedback to bias the inverters in their linear region.

**FIGURE 8-5: EXTERNAL SERIES RESONANT CRYSTAL OSCILLATOR CIRCUIT**



## 8.2.4 EXTERNAL RC OSCILLATOR

For timing insensitive applications, the RC device option offers additional cost savings. The RC oscillator frequency is a function of the supply voltage, the resistor ( $R_{ext}$ ) and capacitor ( $C_{ext}$ ) values, and the operating temperature. In addition to this, the oscillator frequency will vary from unit to unit due to normal process parameter variation. Furthermore, the difference in lead frame capacitance between package types will also affect the oscillation frequency, especially for low  $C_{ext}$  values. The user also needs to take into account variation due to tolerance of external R and C components used.

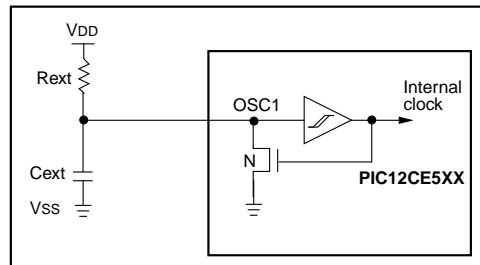
Figure 8-6 shows how the R/C combination is connected to the PIC12CE5XX. For  $R_{ext}$  values below 2.2 kΩ, the oscillator operation may become unstable, or stop completely. For very high  $R_{ext}$  values (e.g., 1 MΩ) the oscillator becomes sensitive to noise, humidity and leakage. Thus, we recommend keeping  $R_{ext}$  between 3 kΩ and 100 kΩ.

Although the oscillator will operate with no external capacitor ( $C_{ext} = 0$  pF), we recommend using values above 20 pF for noise and stability reasons. With no or small external capacitance, the oscillation frequency can vary dramatically due to changes in external capacitances, such as PCB trace capacitance or package lead frame capacitance.

The Electrical Specifications sections show RC frequency variation from part to part due to normal process variation. The variation is larger for larger R (since leakage current variation will affect RC frequency more for large R) and for smaller C (since variation of input capacitance will affect RC frequency more).

Also, see the Electrical Specifications sections for variation of oscillator frequency due to  $V_{DD}$  for given  $R_{ext}/C_{ext}$  values as well as frequency variation due to operating temperature for given R, C, and  $V_{DD}$  values.

**FIGURE 8-6: EXTERNAL RC OSCILLATOR MODE**



# PIC12CE5XX

---

## 8.2.5 INTERNAL 4 MHz RC OSCILLATOR

The internal RC oscillator provides a fixed 4 MHz (nominal) system clock at VDD = 5V and 25°C, see “Electrical Specifications” section for information on variation over voltage and temperature..

In addition, a calibration instruction is programmed into the top of memory which contains the calibration value for the internal RC oscillator. This value is programmed as a MOV<sub>W</sub> XX instruction where XX is the calibration value, and is placed at the reset vector. This will load the W register with the calibration value upon reset and the PC will then roll over to the users program at address 0x000. The user then has the option of writing the value to the OSCCAL Register (05h) or ignoring it.

OSCCAL, when written to with the calibration value, will “trim” the internal oscillator to remove process variation from the oscillator frequency. .

<p><b>Note:</b> Please note that erasing the device will also erase the pre-programmed internal calibration value for the internal oscillator. The calibration value must be saved prior to erasing the part.</p>
---

For the PIC12CE518 and PIC12CE519, bits <7:4>, CAL3-CAL0 are used for fine calibration while bit 3, CALFST, and bit 2,CALSLW are used for more coarse adjustment. Adjusting CAL3-0 from 0000 to 1111 yields a higher clock speed. Set CALFST = 1 for greater increase in frequency or set CALSLW = 1 for greater decrease in frequency. Note that bits 1 and 0 of OSCCAL are unimplemented and should be written as 0 when modifying OSCALL for compatibility with future devices.

For the PIC12CE518 and PIC12CE519, the upper 4 bits of the register are used to allow for future, longer bit length calibration schemes. Writing a larger value in this location yields a higher clock speed.

## 8.3 RESET

The device differentiates between various kinds of reset:

- a) Power on reset (POR)
- b)  $\overline{\text{MCLR}}$  reset during normal operation
- c)  $\overline{\text{MCLR}}$  reset during SLEEP
- d) WDT time-out reset during normal operation
- e) WDT time-out reset during SLEEP
- f) Wake-up from SLEEP on pin change

Some registers are not reset in any way; they are unknown on POR and unchanged in any other reset. Most other registers are reset to “reset state” on power-on reset (POR), on  $\overline{\text{MCLR}}$ , WDT or wake-up on pin change reset during normal operation. They are not affected by a WDT reset during SLEEP or  $\overline{\text{MCLR}}$  reset during SLEEP, since these resets are viewed as

resumption of normal operation. The exceptions to this are  $\overline{\text{TO}}$ ,  $\overline{\text{PD}}$ , and GPWUF bits. They are set or cleared differently in different reset situations. These bits are used in software to determine the nature of reset. See Table 8-3 for a full description of reset states of all registers.



**TABLE 8-3: RESET CONDITIONS FOR REGISTERS**

Register	Address	Power-on Reset	MCLR Reset WDT time-out Wake-up on Pin Change
W	—	qqqq xxxx (1)	qqqq uuuu (1)
INDF	00h	xxxx xxxx	uuuu uuuu
TMR0	01h	xxxx xxxx	uuuu uuuu
PC	02h	1111 1111	1111 1111
STATUS	03h	0001 1xxx	?00? ?uuu (2)
FSR (12CF518)	04h	111x xxxx	111u uuuu
FSR (12CF519)	04h	110x xxxx	11uu uuuu
OSCCAL	05h	0111 00--	uuuu uu--
GPIO	06h	11xx xxxx	11uu uuuu
OPTION	—	1111 1111	1111 1111
TRIS	—	--11 1111	--11 1111

Legend: u = unchanged, x = unknown, - = unimplemented bit, read as '0', ? = value depends on condition.

**Note 1:** Bits <7:4> of W register contain oscillator calibration values due to MOV LW XX instruction at top of memory.

**Note 2:** See Table 8-7 for reset value for specific conditions

**TABLE 8-4: RESET CONDITION FOR SPECIAL REGISTERS**

	STATUS Addr: 03h	PCL Addr: 02h
Power on reset	0001 1xxx	1111 1111
MCLR reset during normal operation	000u uuuu	1111 1111
MCLR reset during SLEEP	0001 0uuuu	1111 1111
WDT reset during SLEEP	0000 0uuu	1111 1111
WDT reset normal operation	0000 1uuu	1111 1111
Wake-up from SLEEP on pin change	1001 0uuu	1111 1111

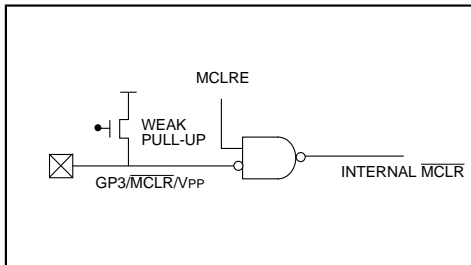
Legend: u = unchanged, x = unknown, - = unimplemented bit, read as '0'.

# PIC12CE5XX

## 8.3.1 $\overline{\text{MCLR}}$ ENABLE

This configuration bit when unprogrammed (left in the '1' state) enables the external  $\overline{\text{MCLR}}$  function. When programmed, the  $\overline{\text{MCLR}}$  function is tied to the internal  $\text{V}_{\text{DD}}$ , and the pin is assigned to be a GPIO. See Figure 8-7.

**FIGURE 8-7:  $\overline{\text{MCLR}}$  SELECT**



## 8.4 Power-On Reset (POR)

The PIC12CE5XX family incorporates on-chip Power-On Reset (POR) circuitry which provides an internal chip reset for most power-up situations.

A Power-on Reset pulse is generated on-chip when  $\text{V}_{\text{DD}}$  rise is detected (in the range of 1.5V - 2.1V). To take advantage of the internal POR, program the GP3/ $\overline{\text{MCLR}}$ / $\text{V}_{\text{PP}}$  pin as  $\overline{\text{MCLR}}$  and tie directly to  $\text{V}_{\text{DD}}$  or program the pin as GP3. An internal weak pull-up resistor is implemented using a transistor. Refer to Table 11-7 for the pull-up resistor ranges. This will eliminate external RC components usually needed to create a Power-on Reset. A maximum rise time for  $\text{V}_{\text{DD}}$  is specified. See Electrical Specifications for details.

When the device starts normal operation (exits the reset condition), device operating parameters (voltage, frequency, temperature, ...) must be met to ensure operation. If these conditions are not met, the device must be held in reset until the operating parameters are met.

A simplified block diagram of the on-chip Power-On Reset circuit is shown in Figure 8-8.

The Power-On Reset circuit and the Device Reset Timer (Section 8.5) circuit are closely related. On power-up, the reset latch is set and the DRT is reset. The DRT timer begins counting once it detects  $\overline{\text{MCLR}}$  to be high. After the time-out period, which is typically 18 ms, it will reset the reset latch and thus end the on-chip reset signal.

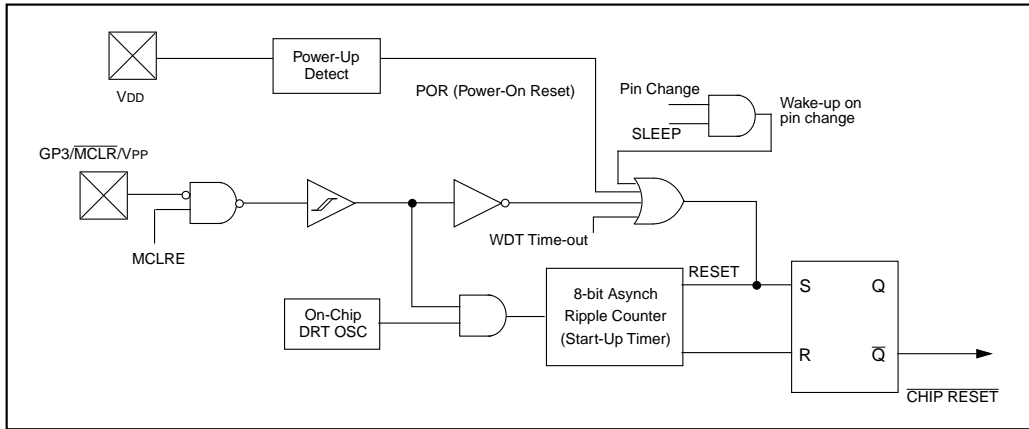
A power-up example where  $\overline{\text{MCLR}}$  is held low is shown in Figure 8-9.  $\text{V}_{\text{DD}}$  is allowed to rise and stabilize before bringing  $\overline{\text{MCLR}}$  high. The chip will actually come out of reset TDRT msec after  $\overline{\text{MCLR}}$  goes high.

In Figure 8-10, the on-chip Power-On Reset feature is being used ( $\overline{\text{MCLR}}$  and  $\text{V}_{\text{DD}}$  are tied together or the pin is programmed to be GP3.). The  $\text{V}_{\text{DD}}$  is stable before the start-up timer times out and there is no problem in getting a proper reset. However, Figure 8-11 depicts a problem situation where  $\text{V}_{\text{DD}}$  rises too slowly. The time between when the DRT senses that  $\overline{\text{MCLR}}$  is high and when  $\overline{\text{MCLR}}$  (and  $\text{V}_{\text{DD}}$ ) actually reach their full value, is too long. In this situation, when the start-up timer times out,  $\text{V}_{\text{DD}}$  has not reached the  $\text{V}_{\text{DD}}$  (min) value and the chip is, therefore, not guaranteed to function correctly. For such situations, we recommend that external RC circuits be used to achieve longer POR delay times (Figure 8-10).

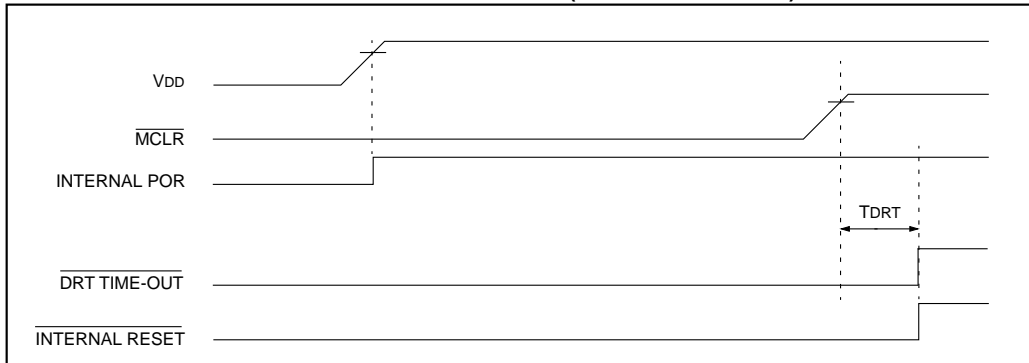
**Note:** When the device starts normal operation (exits the reset condition), device operating parameters (voltage, frequency, temperature, etc.) must be met to ensure operation. If these conditions are not met, the device must be held in reset until the operating conditions are met.

For additional information refer to Application Notes "Power-Up Considerations" - AN522 and "Power-up Trouble Shooting" - AN607.

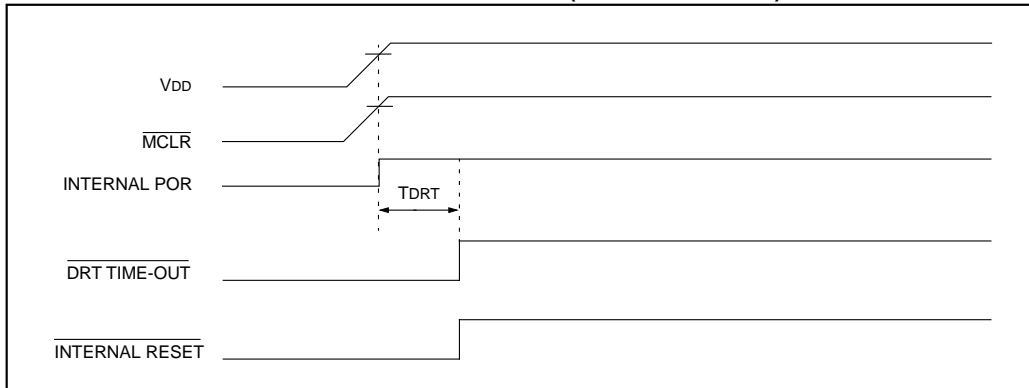
**FIGURE 8-8: SIMPLIFIED BLOCK DIAGRAM OF ON-CHIP RESET CIRCUIT**



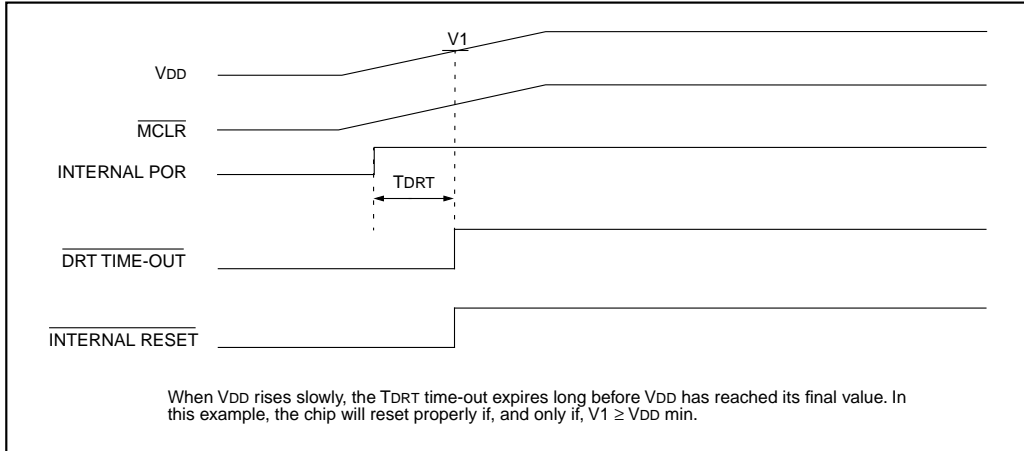
**FIGURE 8-9: TIME-OUT SEQUENCE ON POWER-UP (MCLR PULLED LOW)**



**FIGURE 8-10: TIME-OUT SEQUENCE ON POWER-UP (MCLR TIED TO VDD): FAST VDD RISE TIME**



**FIGURE 8-11: TIME-OUT SEQUENCE ON POWER-UP ( $\overline{\text{MCLR}}$  TIED TO  $V_{\text{DD}}$ ): SLOW  $V_{\text{DD}}$  RISE TIME**



## 8.5 Device Reset Timer (DRT)

In the PIC12CE5XX, the DRT runs any time the device is powered up. DRT runs from RESET and varies based on oscillator selection (see Table 8-5.)

The Device Reset Timer (DRT) provides a fixed 18 ms nominal time-out on reset. The DRT operates on an internal RC oscillator. The processor is kept in RESET as long as the DRT is active. The DRT delay allows  $V_{\text{DD}}$  to rise above  $V_{\text{DD min}}$ , and for the oscillator to stabilize.

Oscillator circuits based on crystals or ceramic resonators require a certain time after power-up to establish a stable oscillation. The on-chip DRT keeps the device in a RESET condition for approximately 18 ms after  $\overline{\text{MCLR}}$  has reached a logic high level. Thus, programming  $\text{GP3}/\overline{\text{MCLR}}/V_{\text{PP}}$  as  $\overline{\text{MCLR}}$  and using an external RC network connected to the  $\overline{\text{MCLR}}$  input is not required in most cases, allowing for savings in cost-sensitive and/or space restricted applications, as well as allowing the use of the  $\text{GP3}/\overline{\text{MCLR}}/V_{\text{PP}}$  pin as a general purpose input.

The Device Reset time delay will vary from chip to chip due to  $V_{\text{DD}}$ , temperature, and process variation. See AC parameters for details.

The DRT will also be triggered upon a Watchdog Timer time-out (only in XT and LP modes). This is particularly important for applications using the WDT to wake from SLEEP mode automatically.

**TABLE 8-5: DRT (DEVICE RESET TIMER PERIOD)**

Oscillator Configuration	POR Reset	Subsequent Resets
IntRC & ExtRC	18 ms (typical)	300 $\mu\text{s}$ (typical)
XT & LP	18 ms (typical)	18 ms (typical)

## 8.6 Watchdog Timer (WDT)

The Watchdog Timer (WDT) is a free running on-chip RC oscillator which does not require any external components. This RC oscillator is separate from the external RC oscillator of the  $\text{GP5}/\text{OSC1}/\text{CLKIN}$  pin and the internal 4 MHz oscillator. That means that the WDT will run even if the main processor clock has been stopped, for example, by execution of a SLEEP instruction. During normal operation or SLEEP, a WDT reset or wake-up reset generates a device RESET.

The  $\overline{\text{TO}}$  bit ( $\text{STATUS}\langle 4 \rangle$ ) will be cleared upon a Watchdog Timer reset.

The WDT can be permanently disabled by programming the configuration bit  $\text{WDTE}$  as a '0' (Section 8.1). Refer to the PIC12CE5XX Programming Specifications to determine how to access the configuration word.

## 8.6.1 WDT PERIOD

The WDT has a nominal time-out period of 18 ms, (with no prescaler). If a longer time-out period is desired, a prescaler with a division ratio of up to 1:128 can be assigned to the WDT (under software control) by writing to the OPTION register. Thus, a time-out period of a nominal 2.3 seconds can be realized. These periods vary with temperature, V<sub>DD</sub> and part-to-part process variations (see DC specs).

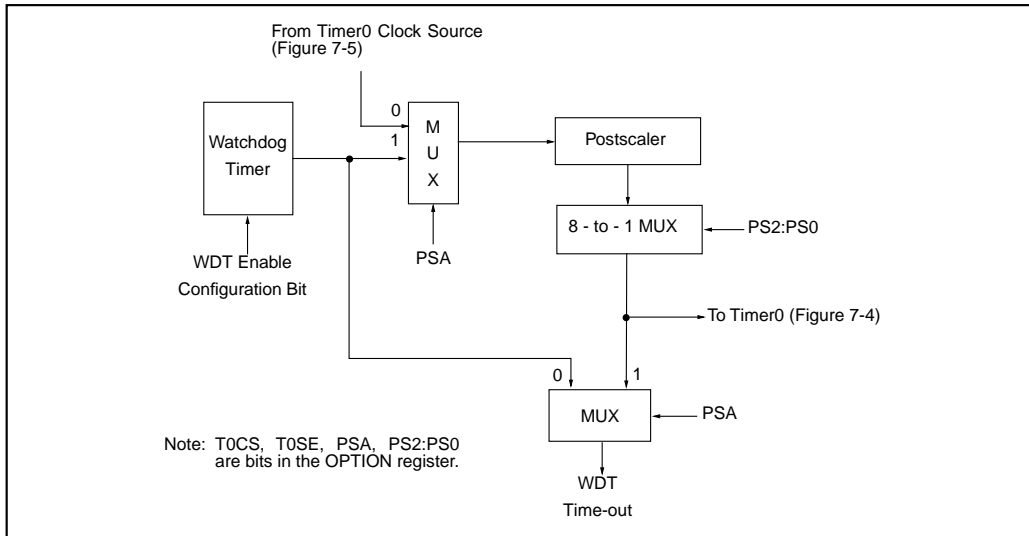
Under worst case conditions (V<sub>DD</sub> = Min., Temperature = Max., max. WDT prescaler), it may take several seconds before a WDT time-out occurs.

## 8.6.2 WDT PROGRAMMING CONSIDERATIONS

The CLRWDT instruction clears the WDT and the postscaler, if assigned to the WDT, and prevents it from timing out and generating a device RESET.

The SLEEP instruction resets the WDT and the postscaler, if assigned to the WDT. This gives the maximum SLEEP time before a WDT wake-up reset.

**FIGURE 8-12: WATCHDOG TIMER BLOCK DIAGRAM**



**TABLE 8-6: SUMMARY OF REGISTERS ASSOCIATED WITH THE WATCHDOG TIMER**

Address	Name	Bit 7	Bit 6	Bit 5	Bit 4	Bit 3	Bit 2	Bit 1	Bit 0	Value on Power-On Reset	Value on MCLR and WDT Reset	Value on Wake-up on Pin Change
N/A	OPTION	GPWU	GPPU	T0CS	T0SE	PSA	PS2	PS1	PS0	1111 1111	1111 1111	1111 1111

Legend: Shaded boxes = Not used by Watchdog Timer, – = unimplemented, read as '0', u = unchanged

# PIC12CE5XX

## 8.7 Time-Out Sequence, Power Down, and Wake-up from SLEEP Status Bits (TO/PD/GPWUF)

The  $\overline{TO}$ ,  $\overline{PD}$ , and GPWUF bits in the STATUS register can be tested to determine if a RESET condition has been caused by a power-up condition, a  $\overline{MCLR}$  or Watchdog Timer (WDT) reset, or a  $\overline{MCLR}$  or WDT reset.

**TABLE 8-7:  $\overline{TO}/\overline{PD}/\overline{GPWUF}$  STATUS AFTER RESET**

GPWUF	$\overline{TO}$	$\overline{PD}$	RESET caused by
0	0	0	WDT wake-up from SLEEP
0	0	1	WDT time-out (not from SLEEP)
0	1	0	$\overline{MCLR}$ wake-up from SLEEP
0	1	1	Power-up
0	u	u	$\overline{MCLR}$ not during SLEEP
1	1	0	Wake-up from SLEEP on pin change

Legend: Legend: u = unchanged  
 Note 1: The  $\overline{TO}$ ,  $\overline{PD}$ , and GPWUF bits maintain their status (u) until a reset occurs. A low-pulse on the  $\overline{MCLR}$  input does not change the  $\overline{TO}$ ,  $\overline{PD}$ , and GPWUF status bits.

These STATUS bits are only affected by events listed in Table 8-8.

**TABLE 8-8: EVENTS AFFECTING  $\overline{TO}/\overline{PD}$  STATUS BITS**

Event	GPWUF	$\overline{TO}$	$\overline{PD}$	Remarks
Power-up	0	1	1	
WDT Time-out	0	0	u	No effect on $\overline{PD}$
SLEEP instruction	u	1	0	
CLRWDWT instruction	u	1	1	
Wake-up from SLEEP on pin change	1	1	0	

Legend: u = unchanged  
 A WDT time-out will occur regardless of the status of the  $\overline{TO}$  bit. A SLEEP instruction will be executed, regardless of the status of the  $\overline{PD}$  bit. Table 8-7 reflects the status of  $\overline{TO}$  and  $\overline{PD}$  after the corresponding event.

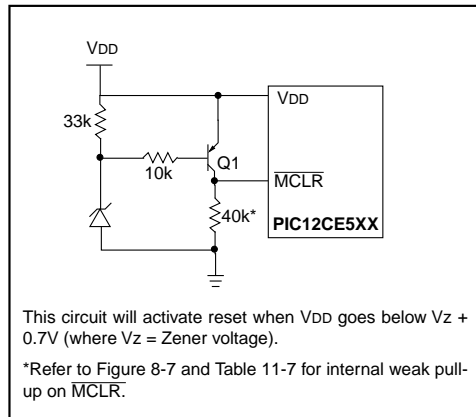
Table 8-4 lists the reset conditions for the special function registers, while Table 8-3 lists the reset conditions for all the registers.

## 8.8 Reset on Brown-Out

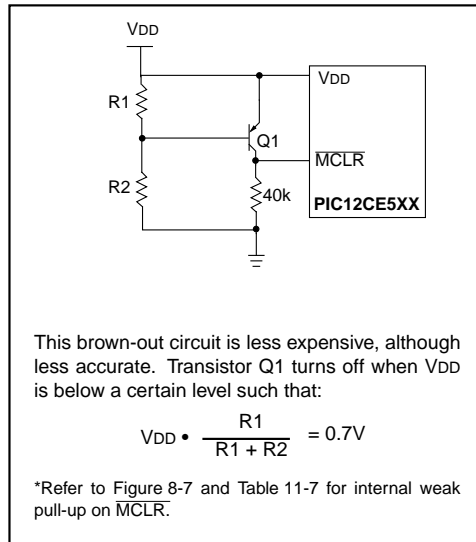
A brown-out is a condition where device power ( $V_{DD}$ ) dips below its minimum value, but not to zero, and then recovers. The device should be reset in the event of a brown-out.

To reset PIC12CE5XX devices when a brown-out occurs, external brown-out protection circuits may be built, as shown in Figure 8-13 and Figure 8-14.

**FIGURE 8-13: BROWN-OUT PROTECTION CIRCUIT 1**



**FIGURE 8-14: BROWN-OUT PROTECTION CIRCUIT 2**



## 8.9 Power-Down Mode (SLEEP)

A device may be powered down (SLEEP) and later powered up (Wake-up from SLEEP).

### 8.9.1 SLEEP

The Power-Down mode is entered by executing a `SLEEP` instruction.

If enabled, the Watchdog Timer will be cleared but keeps running, the  $\overline{TO}$  bit (STATUS<4>) is set, the  $\overline{PD}$  bit (STATUS<3>) is cleared and the oscillator driver is turned off. The I/O ports maintain the status they had before the `SLEEP` instruction was executed (driving high, driving low, or hi-impedance).

It should be noted that a RESET generated by a WDT time-out does not drive the  $\overline{MCLR}$  pin low.

For lowest current consumption while powered down, the  $\overline{TOCKI}$  input should be at VDD or VSS and the GP3/ $\overline{MCLR}/VPP$  pin must be at a logic high level if  $\overline{MCLR}$  is enabled.

### 8.9.2 WAKE-UP FROM SLEEP

The device can wake-up from SLEEP through one of the following events:

1. An external reset input on GP3/ $\overline{MCLR}/VPP$  pin, when configured as  $\overline{MCLR}$ .
2. A Watchdog Timer time-out reset (if WDT was enabled).
3. A change on input pin GP0, GP1, or GP3/ $\overline{MCLR}/VPP$  when wake-up on change is enabled.

These events cause a device reset. The  $\overline{TO}$ ,  $\overline{PD}$ , and GPWUF bits can be used to determine the cause of device reset. The  $\overline{TO}$  bit is cleared if a WDT time-out occurred (and caused wake-up). The  $\overline{PD}$  bit, which is set on power-up, is cleared when `SLEEP` is invoked. The GPWUF bit indicates a change in state while in SLEEP at pins GP0, GP1, or GP3 (since the last time there was a file or bit operation on GP port).

**Caution:** Right before entering SLEEP, read the input pins. When in SLEEP, wake up occurs when the values at the pins change from the state they were in at the last reading. If a wake-up on change occurs and the pins are not read before reentering SLEEP, a wake up will occur immediately even if no pins change while in SLEEP mode.

The WDT is cleared when the device wakes from sleep, regardless of the wake-up source.

## 8.10 Program Verification/Code Protection

If the code protection bit has not been programmed, the on-chip program memory can be read out for verification purposes.

The first 64 locations can be read regardless of the code protection bit setting.

**Note:** The location containing the pre-programmed internal RC oscillator calibration value is never code protected.

## 8.11 ID Locations

Four memory locations are designated as ID locations where the user can store checksum or other code-identification numbers. These locations are not accessible during normal execution but are readable and writable during program/verify.

Use only the lower 4 bits of the ID locations and always program the upper 8 bits as '0's.

# PIC12CE5XX

## 8.12 In-Circuit Serial Programming™

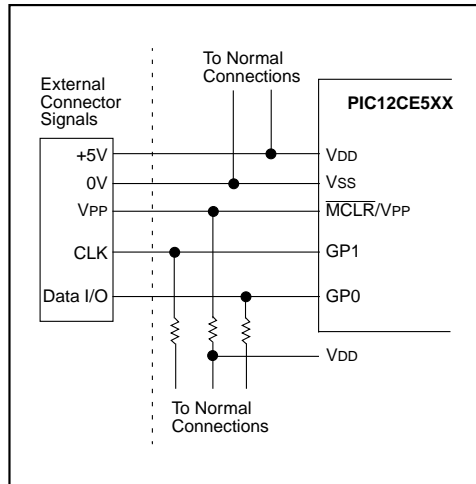
The PIC12CE5XX microcontrollers program memory can be serially programmed while in the end application circuit. This is simply done with two lines for clock and data, and three other lines for power, ground, and the programming voltage. This allows customers to manufacture boards with unprogrammed devices, and then program the microcontroller just before shipping the product. This also allows the most recent firmware or a custom firmware to be programmed.

The device is placed into a program/verify mode by holding the GP1 and GP0 pins low while raising the MCLR (VPP) pin from VIL to VIH (see programming specification). GP1 becomes the programming clock and GP0 becomes the programming data. Both GP1 and GP0 are Schmitt Trigger inputs in this mode.

After reset, a 6-bit command is then supplied to the device. Depending on the command, 14-bits of program data are then supplied to or from the device, depending if the command was a load or a read. For complete details of serial programming, please refer to the PIC12CE5XX Programming Specifications in the In-Circuit Serial Programming Guide.

A typical in-circuit serial programming connection is shown in Figure 8-15.

FIGURE 8-15: TYPICAL IN-CIRCUIT SERIAL PROGRAMMING CONNECTION





## 9.0 INSTRUCTION SET SUMMARY

Each PIC12CE5XX instruction is a 12-bit word divided into an OPCODE, which specifies the instruction type, and one or more operands which further specify the operation of the instruction. The PIC12CE5XX instruction set summary in Table 9-2 groups the instructions into byte-oriented, bit-oriented, and literal and control operations. Table 9-1 shows the opcode field descriptions.

For **byte-oriented** instructions, 'f' represents a file register designator and 'd' represents a destination designator. The file register designator is used to specify which one of the 32 file registers is to be used by the instruction.

The destination designator specifies where the result of the operation is to be placed. If 'd' is '0', the result is placed in the W register. If 'd' is '1', the result is placed in the file register specified in the instruction.

For **bit-oriented** instructions, 'b' represents a bit field designator which selects the number of the bit affected by the operation, while 'f' represents the number of the file in which the bit is located.

For **literal and control** operations, 'k' represents an 8 or 9-bit constant or literal value.

**TABLE 9-1: OPCODE FIELD DESCRIPTIONS**

Field	Description
f	Register file address (0x00 to 0x7F)
w	Working register (accumulator)
b	Bit address within an 8-bit file register
k	Literal field, constant data or label
x	Don't care location (= 0 or 1) The assembler will generate code with x = 0. It is the recommended form of use for compatibility with all Microchip software tools.
d	Destination select; d = 0 (store result in W) d = 1 (store result in file register 'f') Default is d = 1
label	Label name
TOS	Top of Stack
PC	Program Counter
WDT	Watchdog Timer Counter
TO	Time-Out bit
PD	Power-Down bit
dest	Destination, either the W register or the specified register file location
[ ]	Options
( )	Contents
→	Assigned to
< >	Register bit field
∈	In the set of
<i>italics</i>	User defined term (font is courier)

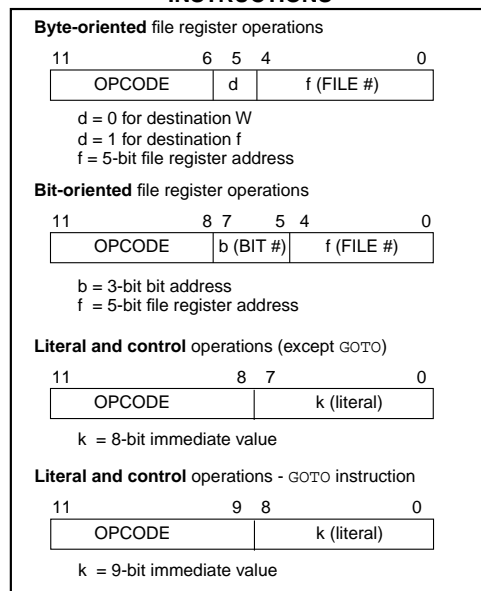
All instructions are executed within a single instruction cycle, unless a conditional test is true or the program counter is changed as a result of an instruction. In this case, the execution takes two instruction cycles. One instruction cycle consists of four oscillator periods. Thus, for an oscillator frequency of 4 MHz, the normal instruction execution time is 1 μs. If a conditional test is true or the program counter is changed as a result of an instruction, the instruction execution time is 2 μs.

Figure 9-1 shows the three general formats that the instructions can have. All examples in the figure use the following format to represent a hexadecimal number:

0xhhh

where 'h' signifies a hexadecimal digit.

**FIGURE 9-1: GENERAL FORMAT FOR INSTRUCTIONS**



# PIC12CE5XX

**TABLE 9-2: INSTRUCTION SET SUMMARY**

Mnemonic, Operands	Description	Cycles	12-Bit Opcode			Status Affected	Notes
			MSb	LSb			
ADDWF f,d	Add W and f	1	0001	11df	ffff	C,DC,Z	1,2,4
ANDWF f,d	AND W with f	1	0001	01df	ffff	Z	2,4
CLRF f	Clear f	1	0000	011f	ffff	Z	4
CLRWF –	Clear W	1	0000	0100	0000	Z	
COMF f, d	Complement f	1	0010	01df	ffff	Z	
DECF f, d	Decrement f	1	0000	11df	ffff	Z	2,4
DECFSZ f, d	Decrement f, Skip if 0	1(2)	0010	11df	ffff	None	2,4
INCF f, d	Increment f	1	0010	10df	ffff	Z	2,4
INCFSZ f, d	Increment f, Skip if 0	1(2)	0011	11df	ffff	None	2,4
IORWF f, d	Inclusive OR W with f	1	0001	00df	ffff	Z	2,4
MOVF f, d	Move f	1	0010	00df	ffff	Z	2,4
MOVWF f	Move W to f	1	0000	001f	ffff	None	1,4
NOP –	No Operation	1	0000	0000	0000	None	
RLF f, d	Rotate left f through Carry	1	0011	01df	ffff	C	2,4
RRF f, d	Rotate right f through Carry	1	0011	00df	ffff	C	2,4
SUBWF f, d	Subtract W from f	1	0000	10df	ffff	C,DC,Z	1,2,4
SWAPF f, d	Swap f	1	0011	10df	ffff	None	2,4
XORWF f, d	Exclusive OR W with f	1	0001	10df	ffff	Z	2,4
<b>BIT-ORIENTED FILE REGISTER OPERATIONS</b>							
BCF f, b	Bit Clear f	1	0100	bbbf	ffff	None	2,4
BSF f, b	Bit Set f	1	0101	bbbf	ffff	None	2,4
BTFSC f, b	Bit Test f, Skip if Clear	1 (2)	0110	bbbf	ffff	None	
BTFSS f, b	Bit Test f, Skip if Set	1 (2)	0111	bbbf	ffff	None	
<b>LITERAL AND CONTROL OPERATIONS</b>							
ANDLW k	AND literal with W	1	1110	kkkk	kkkk	Z	
CALL k	Call subroutine	2	1001	kkkk	kkkk	None	1
CLRWDT k	Clear Watchdog Timer	1	0000	0000	0100	T <sub>O</sub> , PD	
GOTO k	Unconditional branch	2	101k	kkkk	kkkk	None	
IORLW k	Inclusive OR Literal with W	1	1101	kkkk	kkkk	Z	
MOVLW k	Move Literal to W	1	1100	kkkk	kkkk	None	
OPTION –	Load OPTION register	1	0000	0000	0010	None	
RETLW k	Return, place Literal in W	2	1000	kkkk	kkkk	None	
SLEEP –	Go into standby mode	1	0000	0000	0011	T <sub>O</sub> , PD	
TRIS f	Load TRIS register	1	0000	0000	0fff	None	3
XORLW k	Exclusive OR Literal to W	1	1111	kkkk	kkkk	Z	

Note 1: The 9th bit of the program counter will be forced to a '0' by any instruction that writes to the PC except for GOTO. (Section 4-5)

- When an I/O register is modified as a function of itself (e.g. MOVF GPIO, 1), the value used will be that value present on the pins themselves. For example, if the data latch is '1' for a pin configured as input and is driven low by an external device, the data will be written back with a '0'.
- The instruction TRIS f, where f = 6 causes the contents of the W register to be written to the tristate latches of GPIO. A '1' forces the pin to a hi-impedance state and disables the output buffers.
- If this instruction is executed on the TMR0 register (and, where applicable, d = 1), the prescaler will be cleared (if assigned to TMR0).

## **ADDWF**      **Add W and f**

Syntax:            `[ label ] ADDWF f,d`

Operands:         $0 \leq f \leq 31$   
 $d \in [0,1]$

Operation:         $(W) + (f) \rightarrow (\text{dest})$

Status Affected: **C, DC, Z**

Encoding:        

0001	11df	ffff
------	------	------

Description:     Add the contents of the W register and register 'f'. If 'd' is 0 the result is stored in the W register. If 'd' is '1' the result is stored back in register 'f'.

Words:            1

Cycles:           1

Example:         `ADDWF FSR, 0`

Before Instruction  
W = 0x17  
FSR = 0xC2

After Instruction  
W = 0xD9  
FSR = 0xC2

## **ANDWF**      **AND W with f**

Syntax:            `[ label ] ANDWF f,d`

Operands:         $0 \leq f \leq 31$   
 $d \in [0,1]$

Operation:         $(W) .\text{AND.} (f) \rightarrow (\text{dest})$

Status Affected: **Z**

Encoding:        

0001	01df	ffff
------	------	------

Description:     The contents of the W register are AND'ed with register 'f'. If 'd' is 0 the result is stored in the W register. If 'd' is '1' the result is stored back in register 'f'.

Words:            1

Cycles:           1

Example:         `ANDWF FSR, 1`

Before Instruction  
W = 0x17  
FSR = 0xC2

After Instruction  
W = 0x17  
FSR = 0x02

## **ANDLW**      **And literal with W**

Syntax:            `[ label ] ANDLW k`

Operands:         $0 \leq k \leq 255$

Operation:         $(W) .\text{AND.} (k) \rightarrow (W)$

Status Affected: **Z**

Encoding:        

1110	kkkk	kkkk
------	------	------

Description:     The contents of the W register are AND'ed with the eight-bit literal 'k'. The result is placed in the W register.

Words:            1

Cycles:           1

Example:         `ANDLW 0x5F`

Before Instruction  
W = 0xA3

After Instruction  
W = 0x03

## **BCF**          **Bit Clear f**

Syntax:            `[ label ] BCF f,b`

Operands:         $0 \leq f \leq 31$   
 $0 \leq b \leq 7$

Operation:         $0 \rightarrow (f<b>)$

Status Affected: **None**

Encoding:        

0100	bbbf	ffff
------	------	------

Description:     Bit 'b' in register 'f' is cleared.

Words:            1

Cycles:           1

Example:         `BCF FLAG_REG, 7`

Before Instruction  
FLAG\_REG = 0xC7

After Instruction  
FLAG\_REG = 0x47

# PIC12CE5XX

## BSF Bit Set f

Syntax: [ *label* ] BSF f,b

Operands:  $0 \leq f \leq 31$   
 $0 \leq b \leq 7$

Operation:  $1 \rightarrow (f < b >)$

Status Affected: None

Encoding: 

0101	bbbbf	ffff
------	-------	------

Description: Bit 'b' in register 'f' is set.

Words: 1

Cycles: 1

Example: BSF FLAG\_REG, 7

Before Instruction

FLAG\_REG = 0x0A

After Instruction

FLAG\_REG = 0x8A

## BTFS Bit Test f, Skip if Clear

Syntax: [ *label* ] BTFS f,b

Operands:  $0 \leq f \leq 31$   
 $0 \leq b \leq 7$

Operation: skip if (f < b >) = 0

Status Affected: None

Encoding: 

0110	bbbbf	ffff
------	-------	------

Description: If bit 'b' in register 'f' is 0 then the next instruction is skipped.

If bit 'b' is 0 then the next instruction fetched during the current instruction execution is discarded, and an NOP is executed instead, making this a 2 cycle instruction.

Words: 1

Cycles: 1(2)

Example: 

HERE	BTFS	FLAG, 1
FALSE	GOTO	PROCESS_CODE
TRUE	.	
	.	
	.	

Before Instruction

PC = address (HERE)

After Instruction

if FLAG<1> = 0,  
PC = address (TRUE);  
if FLAG<1> = 1,  
PC = address (FALSE)

## BTFS Bit Test f, Skip if Set

Syntax: [ *label* ] BTFS f,b

Operands:  $0 \leq f \leq 31$   
 $0 \leq b < 7$

Operation: skip if (f < b >) = 1

Status Affected: None

Encoding: 

0111	bbbbf	ffff
------	-------	------

Description: If bit 'b' in register 'f' is '1' then the next instruction is skipped.

If bit 'b' is '1', then the next instruction fetched during the current instruction execution, is discarded and an NOP is executed instead, making this a 2 cycle instruction.

Words: 1

Cycles: 1(2)

Example: 

HERE	BTFS	FLAG, 1
FALSE	GOTO	PROCESS_CODE
TRUE	.	
	.	
	.	

Before Instruction

PC = address (HERE)

After Instruction

If FLAG<1> = 0,  
PC = address (FALSE);  
if FLAG<1> = 1,  
PC = address (TRUE)

## CALL Subroutine Call

Syntax: [ *label* ] CALL *k*

Operands:  $0 \leq k \leq 255$

Operation: (PC) + 1 → Top of Stack;  
*k* → PC<7:0>;  
 (STATUS<6:5>) → PC<10:9>;  
 0 → PC<8>

Status Affected: None

Encoding: 

1001	kkkk	kkkk
------	------	------

Description: Subroutine call. First, return address (PC+1) is pushed onto the stack. The eight bit immediate address is loaded into PC bits <7:0>. The upper bits PC<10:9> are loaded from STATUS<6:5>, PC<8> is cleared. CALL is a two cycle instruction.

Words: 1

Cycles: 2

Example:      HERE      CALL      THERE

Before Instruction  
 PC = address (HERE)

After Instruction  
 PC = address (THERE)  
 TOS = address (HERE + 1)

## CLRF Clear f

Syntax: [ *label* ] CLRF *f*

Operands:  $0 \leq f \leq 31$

Operation: 00h → (f);  
 1 → Z

Status Affected: Z

Encoding: 

0000	011f	ffff
------	------	------

Description: The contents of register 'f' are cleared and the Z bit is set.

Words: 1

Cycles: 1

Example:      CLRF      FLAG\_REG

Before Instruction  
 FLAG\_REG = 0x5A

After Instruction  
 FLAG\_REG = 0x00  
 Z = 1

## CLRW Clear W

Syntax: [ *label* ] CLRW

Operands: None

Operation: 00h → (W);  
 1 → Z

Status Affected: Z

Encoding: 

0000	0100	0000
------	------	------

Description: The W register is cleared. Zero bit (Z) is set.

Words: 1

Cycles: 1

Example:      CLRW

Before Instruction  
 W = 0x5A

After Instruction  
 W = 0x00  
 Z = 1

## CLRWDTClear Watchdog Timer

Syntax: [ *label* ] CLRWDTClear Watchdog Timer

Operands: None

Operation: 00h → WDT;  
 0 → WDT prescaler (if assigned);  
 1 → TO;  
 1 → PD

Status Affected: TO, PD

Encoding: 

0000	0000	0100
------	------	------

Description: The CLRWDTClear Watchdog Timer instruction resets the WDT. It also resets the prescaler, if the prescaler is assigned to the WDT and not Timer0. Status bits TO and PD are set.

Words: 1

Cycles: 1

Example:      CLRWDTClear Watchdog Timer

Before Instruction  
 WDT counter = ?

After Instruction  
 WDT counter = 0x00  
 WDT prescale = 0  
 TO = 1  
 PD = 1

# PIC12CE5XX

## COMF Complement f

Syntax: [ *label* ] COMF f,d

Operands:  $0 \leq f \leq 31$   
 $d \in [0,1]$

Operation:  $(f) \rightarrow (\text{dest})$

Status Affected: Z

Encoding: 

0010	01df	ffff
------	------	------

Description: The contents of register 'f' are complemented. If 'd' is 0 the result is stored in the W register. If 'd' is 1 the result is stored back in register 'f'.

Words: 1

Cycles: 1

Example: COMF REG1,0

Before Instruction

REG1 = 0x13

After Instruction

REG1 = 0x1C

W = 0xEC

## DECF Decrement f

Syntax: [ *label* ] DECF f,d

Operands:  $0 \leq f \leq 31$   
 $d \in [0,1]$

Operation:  $(f) - 1 \rightarrow (\text{dest})$

Status Affected: Z

Encoding: 

0000	11df	ffff
------	------	------

Description: Decrement register 'f'. If 'd' is 0 the result is stored in the W register. If 'd' is 1 the result is stored back in register 'f'.

Words: 1

Cycles: 1

Example: DECF CNT, 1

Before Instruction

CNT = 0x01

Z = 0

After Instruction

CNT = 0x00

Z = 1

## DECFSZ Decrement f, Skip if 0

Syntax: [ *label* ] DECFSZ f,d

Operands:  $0 \leq f \leq 31$   
 $d \in [0,1]$

Operation:  $(f) - 1 \rightarrow d$ ; skip if result = 0

Status Affected: None

Encoding: 

0010	11df	ffff
------	------	------

Description: The contents of register 'f' are decremented. If 'd' is 0 the result is placed in the W register. If 'd' is 1 the result is placed back in register 'f'.

If the result is 0, the next instruction, which is already fetched, is discarded and an NOP is executed instead making it a two cycle instruction.

Words: 1

Cycles: 1(2)

Example: HERE DECFSZ CNT, 1

GOTO LOOP

CONTINUE  
.  
.  
.

Before Instruction

PC = address (HERE)

After Instruction

CNT = CNT - 1;

if CNT = 0,

PC = address (CONTINUE);

if CNT  $\neq$  0,

PC = address (HERE+1)

## GOTO Unconditional Branch

Syntax: [ *label* ] GOTO k

Operands:  $0 \leq k \leq 511$

Operation:  $k \rightarrow \text{PC}<8:0>$ ;  
 $\text{STATUS}<6:5> \rightarrow \text{PC}<10:9>$

Status Affected: None

Encoding: 

101k	kkkk	kkkk
------	------	------

Description: GOTO is an unconditional branch. The 9-bit immediate value is loaded into PC bits <8:0>. The upper bits of PC are loaded from STATUS<6:5>. GOTO is a two cycle instruction.

Words: 1

Cycles: 2

Example: GOTO THERE

After Instruction

PC = address (THERE)

## **INCF** **Increment f**

Syntax: [ *label* ] INCF f,d

Operands:  $0 \leq f \leq 31$   
 $d \in [0,1]$

Operation:  $(f) + 1 \rightarrow (\text{dest})$

Status Affected: Z

Encoding: 

0010	10df	ffff
------	------	------

Description: The contents of register 'f' are incremented. If 'd' is 0 the result is placed in the W register. If 'd' is 1 the result is placed back in register 'f'.

Words: 1

Cycles: 1

Example: INCF CNT, 1

Before Instruction  
 CNT = 0xFF  
 Z = 0

After Instruction  
 CNT = 0x00  
 Z = 1

## **INCFSZ** **Increment f, Skip if 0**

Syntax: [ *label* ] INCFSZ f,d

Operands:  $0 \leq f \leq 31$   
 $d \in [0,1]$

Operation:  $(f) + 1 \rightarrow (\text{dest})$ , skip if result = 0

Status Affected: None

Encoding: 

0011	11df	ffff
------	------	------

Description: The contents of register 'f' are incremented. If 'd' is 0 the result is placed in the W register. If 'd' is 1 the result is placed back in register 'f'.  
 If the result is 0, then the next instruction, which is already fetched, is discarded and an NOP is executed instead making it a two cycle instruction.

Words: 1

Cycles: 1(2)

Example: HERE INCFSZ CNT, 1  
 GOTO LOOP  
 CONTINUE  
 •  
 •  
 •

Before Instruction  
 PC = address (HERE)

After Instruction  
 CNT = CNT + 1;  
 if CNT = 0,  
 PC = address (CONTINUE);  
 if CNT  $\neq$  0,  
 PC = address (HERE + 1)

## **IORLW** **Inclusive OR literal with W**

Syntax: [ *label* ] IORLW k

Operands:  $0 \leq k \leq 255$

Operation:  $(W) .OR. (k) \rightarrow (W)$

Status Affected: Z

Encoding: 

1101	kkkk	kkkk
------	------	------

Description: The contents of the W register are OR'ed with the eight bit literal 'k'. The result is placed in the W register.

Words: 1

Cycles: 1

Example: IORLW 0x35

Before Instruction  
 W = 0x9A

After Instruction  
 W = 0xBF  
 Z = 0

## **IORWF** **Inclusive OR W with f**

Syntax: [ *label* ] IORWF f,d

Operands:  $0 \leq f \leq 31$   
 $d \in [0,1]$

Operation:  $(W) .OR. (f) \rightarrow (\text{dest})$

Status Affected: Z

Encoding: 

0001	00df	ffff
------	------	------

Description: Inclusive OR the W register with register 'f'. If 'd' is 0 the result is placed in the W register. If 'd' is 1 the result is placed back in register 'f'.

Words: 1

Cycles: 1

Example: IORWF RESULT, 0

Before Instruction  
 RESULT = 0x13  
 W = 0x91

After Instruction  
 RESULT = 0x13  
 W = 0x93  
 Z = 0

# PIC12CE5XX

## MOVF Move f

Syntax: [label] MOVF f,d

Operands:  $0 \leq f \leq 31$   
 $d \in [0,1]$

Operation: (f) → (dest)

Status Affected: Z

Encoding:

0010	00df	ffff
------	------	------

Description: The contents of register 'f' is moved to destination 'd'. If 'd' is 0, destination is the W register. If 'd' is 1, the destination is file register 'f'. 'd' is 1 is useful to test a file register since status flag Z is affected.

Words: 1

Cycles: 1

Example: MOVF FSR, 0

After Instruction

W = value in FSR register

## MOVLW Move Literal to W

Syntax: [label] MOVLW k

Operands:  $0 \leq k \leq 255$

Operation: k → (W)

Status Affected: None

Encoding:

1100	kkkk	kkkk
------	------	------

Description: The eight bit literal 'k' is loaded into the W register. The don't cares will assemble as 0s.

Words: 1

Cycles: 1

Example: MOVLW 0x5A

After Instruction

W = 0x5A

## MOVWF Move W to f

Syntax: [label] MOVWF f

Operands:  $0 \leq f \leq 31$

Operation: (W) → (f)

Status Affected: None

Encoding:

0000	001f	ffff
------	------	------

Description: Move data from the W register to register 'f'.

Words: 1

Cycles: 1

Example: MOVWF TEMP\_REG

Before Instruction

TEMP\_REG = 0xFF

W = 0x4F

After Instruction

TEMP\_REG = 0x4F

W = 0x4F

## NOP No Operation

Syntax: [label] NOP

Operands: None

Operation: No operation

Status Affected: None

Encoding:

0000	0000	0000
------	------	------

Description: No operation.

Words: 1

Cycles: 1

Example: NOP



## OPTION Load OPTION Register

Syntax: [label] OPTION

Operands: None

Operation: (W) → OPTION

Status Affected: None

Encoding: 

0000	0000	0010
------	------	------

Description: The content of the W register is loaded into the OPTION register.

Words: 1

Cycles: 1

Example           OPTION

Before Instruction  
W = 0x07

After Instruction  
OPTION = 0x07

## RETLW Return with Literal in W

Syntax: [label] RETLW k

Operands:  $0 \leq k \leq 255$

Operation: k → (W);  
TOS → PC

Status Affected: None

Encoding: 

1000	kkkk	kkkk
------	------	------

Description: The W register is loaded with the eight bit literal 'k'. The program counter is loaded from the top of the stack (the return address). This is a two cycle instruction.

Words: 1

Cycles: 2

Example:       CALL TABLE ;W contains  
                                  ;table offset  
                                  ;value.  
                  •              ;W now has table  
                  •              ;value.  
                  •  
TABLE        ADDWF PC ;W = offset  
              RETLW k1 ;Begin table  
              RETLW k2 ;  
              •  
              •  
              •  
              RETLW kn ; End of table

Before Instruction  
W = 0x07

After Instruction  
W = value of k8

## RLF Rotate Left f through Carry

Syntax: [label] RLF f,d

Operands:  $0 \leq f \leq 31$   
 $d \in [0,1]$

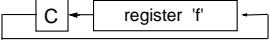
Operation: See description below

Status Affected: C

Encoding: 

0011	01df	ffff
------	------	------

Description: The contents of register 'f' are rotated one bit to the left through the Carry Flag. If 'd' is 0 the result is placed in the W register. If 'd' is 1 the result is stored back in register 'f'.



Words: 1

Cycles: 1

Example:       RLF       REG1,0

Before Instruction  
REG1 = 1110 0110  
C = 0

After Instruction  
REG1 = 1110 0110  
W = 1100 1100  
C = 1

## RRF Rotate Right f through Carry

Syntax: [label] RRF f,d

Operands:  $0 \leq f \leq 31$   
 $d \in [0,1]$

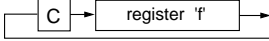
Operation: See description below

Status Affected: C

Encoding: 

0011	00df	ffff
------	------	------

Description: The contents of register 'f' are rotated one bit to the right through the Carry Flag. If 'd' is 0 the result is placed in the W register. If 'd' is 1 the result is placed back in register 'f'.



Words: 1

Cycles: 1

Example:       RRF       REG1,0

Before Instruction  
REG1 = 1110 0110  
C = 0

After Instruction  
REG1 = 1110 0110  
W = 0111 0011  
C = 0

# PIC12CE5XX

SLEEP	Enter SLEEP Mode			
Syntax:	[label] SLEEP			
Operands:	None			
Operation:	00h → WDT; 0 → WDT prescaler; 1 → $\overline{TO}$ ; 0 → $\overline{PD}$			
Status Affected:	$\overline{TO}$ , $\overline{PD}$ , GPWUF			
Encoding:	<table border="1"><tr><td>0000</td><td>0000</td><td>0011</td></tr></table>	0000	0000	0011
0000	0000	0011		
Description:	Time-out status bit ( $\overline{TO}$ ) is set. The power down status bit ( $\overline{PD}$ ) is cleared. GPWUF is unaffected. The WDT and its prescaler are cleared. The processor is put into SLEEP mode with the oscillator stopped. See section on SLEEP for more details.			
Words:	1			
Cycles:	1			
Example:	SLEEP			

SUBWF	Subtract W from f			
Syntax:	[label] SUBWF f,d			
Operands:	$0 \leq f \leq 31$ $d \in [0,1]$			
Operation:	$(f) - (W) \rightarrow (\text{dest})$			
Status Affected:	C, DC, Z			
Encoding:	<table border="1"><tr><td>0000</td><td>10df</td><td>ffff</td></tr></table>	0000	10df	ffff
0000	10df	ffff		
Description:	Subtract (2's complement method) the W register from register 'f'. If 'd' is 0 the result is stored in the W register. If 'd' is 1 the result is stored back in register 'f'.			
Words:	1			
Cycles:	1			
Example 1:	SUBWF REG1, 1			
Before Instruction	REG1 = 3 W = 2 C = ?			
After Instruction	REG1 = 1 W = 2 C = 1 ; result is positive			

**Example 2:**

Before Instruction	REG1 = 2 W = 2 C = ?
After Instruction	REG1 = 0 W = 2 C = 1 ; result is zero

**Example 3:**

Before Instruction	REG1 = 1 W = 2 C = ?
After Instruction	REG1 = FF W = 2 C = 0 ; result is negative

## SWAPF Swap Nibbles in f

Syntax: [label] SWAPF f,d

Operands:  $0 \leq f \leq 31$   
 $d \in [0,1]$

Operation: (f<3:0>) → (dest<7:4>);  
 (f<7:4>) → (dest<3:0>)

Status Affected: None

Encoding: 

0011	10df	ffff
------	------	------

Description: The upper and lower nibbles of register 'f' are exchanged. If 'd' is 0 the result is placed in W register. If 'd' is 1 the result is placed in register 'f'.

Words: 1

Cycles: 1

Example SWAPF REG1, 0

Before Instruction  
 REG1 = 0xA5

After Instruction  
 REG1 = 0xA5  
 W = 0x5A

## TRIS Load TRIS Register

Syntax: [label] TRIS f

Operands: f = 6

Operation: (W) → TRIS register f

Status Affected: None

Encoding: 

0000	0000	0fff
------	------	------

Description: TRIS register 'f' (f = 6) is loaded with the contents of the W register

Words: 1

Cycles: 1

Example TRIS GPIO

Before Instruction  
 W = 0xA5

After Instruction  
 TRIS = 0xA5

**Note:** f = 6 for PIC12C5XX only.

## XORLW Exclusive OR literal with W

Syntax: [label] XORLW k

Operands:  $0 \leq k \leq 255$

Operation: (W) .XOR. k → (W)

Status Affected: Z

Encoding: 

1111	kkkk	kkkk
------	------	------

Description: The contents of the W register are XOR'ed with the eight bit literal 'k'. The result is placed in the W register.

Words: 1

Cycles: 1

Example: XORLW 0xAF

Before Instruction  
 W = 0xB5

After Instruction  
 W = 0x1A

## XORWF Exclusive OR W with f

Syntax: [label] XORWF f,d

Operands:  $0 \leq f \leq 31$   
 $d \in [0,1]$

Operation: (W) .XOR. (f) → (dest)

Status Affected: Z

Encoding: 

0001	10df	ffff
------	------	------

Description: Exclusive OR the contents of the W register with register 'f'. If 'd' is 0 the result is stored in the W register. If 'd' is 1 the result is stored back in register 'f'.

Words: 1

Cycles: 1

Example XORWF REG,1

Before Instruction  
 REG = 0xAF  
 W = 0xB5

After Instruction  
 REG = 0x1A  
 W = 0xB5

# PIC12CE5XX

---

---

NOTES:

## 10.0 DEVELOPMENT SUPPORT

### 10.1 Development Tools

The PICmicro™ microcontrollers are supported with a full range of hardware and software development tools:

- PICMASTER/PICMASTER CE Real-Time In-Circuit Emulator
- ICEPIC Low-Cost PIC16C5X and PIC16CXXX In-Circuit Emulator
- PRO MATE® II Universal Programmer
- PICSTART® Plus Entry-Level Prototype Programmer
- PICDEM-1 Low-Cost Demonstration Board
- PICDEM-2 Low-Cost Demonstration Board
- PICDEM-3 Low-Cost Demonstration Board
- MPASM Assembler
- MPLAB™ SIM Software Simulator
- MPLAB-C (C Compiler)
- Fuzzy Logic Development System (fuzzyTECH®-MP)

### 10.2 PICMASTER: High Performance Universal In-Circuit Emulator with MPLAB IDE

The PICMASTER Universal In-Circuit Emulator is intended to provide the product development engineer with a complete microcontroller design tool set for all microcontrollers in the PIC12CXXX, PIC14C000, PIC16C5X, PIC16CXXX and PIC17CXX families. PICMASTER is supplied with the MPLAB™ Integrated Development Environment (IDE), which allows editing, "make" and download, and source debugging from a single environment.

Interchangeable target probes allow the system to be easily reconfigured for emulation of different processors. The universal architecture of the PICMASTER allows expansion to support all new Microchip microcontrollers.

The PICMASTER Emulator System has been designed as a real-time emulation system with advanced features that are generally found on more expensive development tools. The PC compatible 386 (and higher) machine platform and Microsoft Windows® 3.x environment were chosen to best make these features available to you, the end user.

A CE compliant version of PICMASTER is available for European Union (EU) countries.

### 10.3 ICEPIC: Low-Cost PICmicro™ In-Circuit Emulator

ICEPIC is a low-cost in-circuit emulator solution for the Microchip PIC12CXXX, PIC16C5X and PIC16CXXX families of 8-bit OTP microcontrollers.

ICEPIC is designed to operate on PC-compatible machines ranging from 286-AT® through Pentium™ based machines under Windows 3.x environment. ICEPIC features real time, non-intrusive emulation.

### 10.4 PRO MATE II: Universal Programmer

The PRO MATE II Universal Programmer is a full-featured programmer capable of operating in stand-alone mode as well as PC-hosted mode.

The PRO MATE II has programmable V<sub>DD</sub> and V<sub>PP</sub> supplies which allows it to verify programmed memory at V<sub>DD</sub> min and V<sub>DD</sub> max for maximum reliability. It has an LCD display for displaying error messages, keys to enter commands and a modular detachable socket assembly to support various package types. In stand-alone mode the PRO MATE II can read, verify or program PIC12CXXX, PIC14C000, PIC16C5X, PIC16CXXX and PIC17CXX devices. It can also set configuration and code-protect bits in this mode.

### 10.5 PICSTART Plus Entry Level Development System

The PICSTART programmer is an easy-to-use, low-cost prototype programmer. It connects to the PC via one of the COM (RS-232) ports. MPLAB Integrated Development Environment software makes using the programmer simple and efficient. PICSTART Plus is not recommended for production programming.

PICSTART Plus supports all PIC12CXXX, PIC14C000, PIC16C5X, PIC16CXXX and PIC17CXX devices with up to 40 pins. Larger pin count devices such as the PIC16C923 and PIC16C924 may be supported with an adapter socket.

# PIC12CE5XX

---

## 10.6 PICDEM-1 Low-Cost PICmicro Demonstration Board

The PICDEM-1 is a simple board which demonstrates the capabilities of several of Microchip's microcontrollers. The microcontrollers supported are: PIC16C5X (PIC16C54 to PIC16C58A), PIC16C61, PIC16C62X, PIC16C71, PIC16C8X, PIC17C42, PIC17C43 and PIC17C44. All necessary hardware and software is included to run basic demo programs. The users can program the sample microcontrollers provided with the PICDEM-1 board, on a PRO MATE II or PICSTART-Plus programmer, and easily test firmware. The user can also connect the PICDEM-1 board to the PICMASTER emulator and download the firmware to the emulator for testing. Additional prototype area is available for the user to build some additional hardware and connect it to the microcontroller socket(s). Some of the features include an RS-232 interface, a potentiometer for simulated analog input, push-button switches and eight LEDs connected to PORTB.

## 10.7 PICDEM-2 Low-Cost PIC16CXX Demonstration Board

The PICDEM-2 is a simple demonstration board that supports the PIC16C62, PIC16C64, PIC16C65, PIC16C73 and PIC16C74 microcontrollers. All the necessary hardware and software is included to run the basic demonstration programs. The user can program the sample microcontrollers provided with the PICDEM-2 board, on a PRO MATE II programmer or PICSTART-Plus, and easily test firmware. The PICMASTER emulator may also be used with the PICDEM-2 board to test firmware. Additional prototype area has been provided to the user for adding additional hardware and connecting it to the microcontroller socket(s). Some of the features include a RS-232 interface, push-button switches, a potentiometer for simulated analog input, a Serial EEPROM to demonstrate usage of the I<sup>2</sup>C bus and separate headers for connection to an LCD module and a keypad.

## 10.8 PICDEM-3 Low-Cost PIC16CXXX Demonstration Board

The PICDEM-3 is a simple demonstration board that supports the PIC16C923 and PIC16C924 in the PLCC package. It will also support future 44-pin PLCC microcontrollers with a LCD Module. All the necessary hardware and software is included to run the basic demonstration programs. The user can program the sample microcontrollers provided with the PICDEM-3 board, on a PRO MATE II programmer or PICSTART Plus with an adapter socket, and easily test firmware. The PICMASTER emulator may also be used with the PICDEM-3 board to test firmware. Additional prototype area has been provided to the user for adding hardware and connecting it to the microcontroller socket(s). Some of the features include

an RS-232 interface, push-button switches, a potentiometer for simulated analog input, a thermistor and separate headers for connection to an external LCD module and a keypad. Also provided on the PICDEM-3 board is an LCD panel, with 4 commons and 12 segments, that is capable of displaying time, temperature and day of the week. The PICDEM-3 provides an additional RS-232 interface and Windows 3.1 software for showing the demultiplexed LCD signals on a PC. A simple serial interface allows the user to construct a hardware demultiplexer for the LCD signals.

## 10.9 MPLAB™ Integrated Development Environment Software

The MPLAB IDE Software brings an ease of software development previously unseen in the 8-bit microcontroller market. MPLAB is a windows based application which contains:

- A full featured editor
- Three operating modes
  - editor
  - emulator
  - simulator
- A project manager
- Customizable tool bar and key mapping
- A status bar with project information
- Extensive on-line help

MPLAB allows you to:

- Edit your source files (either assembly or 'C')
- One touch assemble (or compile) and download to PICmicro tools (automatically updates all project information)
- Debug using:
  - source files
  - absolute listing file
- Transfer data dynamically via DDE (soon to be replaced by OLE)
- Run up to four emulators on the same PC

The ability to use MPLAB with Microchip's simulator allows a consistent platform and the ability to easily switch from the low cost simulator to the full featured emulator with minimal retraining due to development tools.

## 10.10 Assembler (MPASM)

The MPASM Universal Macro Assembler is a PC-hosted symbolic assembler. It supports all microcontroller series including the PIC12C5XX, PIC14000, PIC16C5X, PIC16CXXX, and PIC17CXX families.

MPASM offers full featured Macro capabilities, conditional assembly, and several source and listing formats. It generates various object code formats to support Microchip's development tools as well as third party programmers.

MPASM allows full symbolic debugging from PICMASTER, Microchip's Universal Emulator System.

MPASM has the following features to assist in developing software for specific use applications.

- Provides translation of Assembler source code to object code for all Microchip microcontrollers.
- Macro assembly capability.
- Produces all the files (Object, Listing, Symbol, and special) required for symbolic debug with Microchip's emulator systems.
- Supports Hex (default), Decimal and Octal source and listing formats.

MPASM provides a rich directive language to support programming of the PICmicro. Directives are helpful in making the development of your assemble source code shorter and more maintainable.

## **10.11 Software Simulator (MPLAB-SIM)**

The MPLAB-SIM Software Simulator allows code development in a PC host environment. It allows the user to simulate the PICmicro series microcontrollers on an instruction level. On any given instruction, the user may examine or modify any of the data areas or provide external stimulus to any of the pins. The input/output radix can be set by the user and the execution can be performed in; single step, execute until break, or in a trace mode.

MPLAB-SIM fully supports symbolic debugging using MPLAB-C and MPASM. The Software Simulator offers the low cost flexibility to develop and debug code outside of the laboratory environment making it an excellent multi-project software development tool.

## **10.12 C Compiler (MPLAB-C)**

The MPLAB-C Code Development System is a complete 'C' compiler and integrated development environment for Microchip's PICmicro™ family of microcontrollers. The compiler provides powerful integration capabilities and ease of use not found with other compilers.

For easier source level debugging, the compiler provides symbol information that is compatible with the MPLAB IDE memory display.

## **10.13 Fuzzy Logic Development System (fuzzyTECH-MP)**

*fuzzyTECH-MP* fuzzy logic development tool is available in two versions - a low cost introductory version, MP Explorer, for designers to gain a comprehensive working knowledge of fuzzy logic system design; and a full-featured version, *fuzzyTECH-MP*, edition for implementing more complex systems.

Both versions include Microchip's *fuzzyLAB™* demonstration board for hands-on experience with fuzzy logic systems implementation.

## **10.14 MP-DriveWay™ – Application Code Generator**

MP-DriveWay is an easy-to-use Windows-based Application Code Generator. With MP-DriveWay you can visually configure all the peripherals in a PICmicro device and, with a click of the mouse, generate all the initialization and many functional code modules in C language. The output is fully compatible with Microchip's MPLAB-C C compiler. The code produced is highly modular and allows easy integration of your own code. MP-DriveWay is intelligent enough to maintain your code through subsequent code generation.

## **10.15 SEEVAL® Evaluation and Programming System**

The SEEVAL SEEPROM Designer's Kit supports all Microchip 2-wire and 3-wire Serial EEPROMs. The kit includes everything necessary to read, write, erase or program special features of any Microchip SEEPROM product including Smart Serials™ and secure serials. The Total Endurance™ Disk is included to aid in trade-off analysis and reliability calculations. The total kit can significantly reduce time-to-market and result in an optimized system.

## **10.16 KEELOQ® Evaluation and Programming Tools**

KEELOQ evaluation and programming tools support Microchips HCS Secure Data Products. The HCS evaluation kit includes an LCD display to show changing codes, a decoder to decode transmissions, and a programming interface to program test transmitters.

# PIC12CE5XX

TABLE 10-1: DEVELOPMENT TOOLS FROM MICROCHIP

	PIC12CXXX	PIC14000	PIC16C5X	PIC16CXXX	PIC16C6X	PIC16C7XX	PIC16C8X	PIC16C9XX	PIC17C4X	PIC17C75X	24CXX 25CXX 93CXX	HCS200 HCS300 HCS301
<b>Emulator Products</b>												
PICMASTER <sup>®</sup> / PICMASTER-CE In-Circuit Emulator	✓	✓	✓	✓	✓	✓	✓	✓	✓	✓		
ICEPIC Low-Cost In-Circuit Emulator	✓		✓	✓	✓	✓	✓					
<b>Software Tools</b>												
MPLAB <sup>™</sup> Integrated Development Environment	✓	✓	✓	✓	✓	✓	✓	✓	✓	✓		
MPLAB <sup>™</sup> C Compiler	✓	✓	✓	✓	✓	✓	✓	✓	✓	✓		
fuzzyTECH <sup>®</sup> -MP Explorer/Edition Fuzzy Logic Dev. Tool	✓	✓	✓	✓	✓	✓	✓	✓	✓			
MP-DriveWay <sup>™</sup> Applications Code Generator			✓	✓	✓	✓	✓		✓			
Total Endurance <sup>™</sup> Software Model											✓	
<b>Programmers</b>												
PICSTART <sup>®</sup> Lite Ultra Low-Cost Dev. Kit			✓		✓	✓	✓					
PICSTART <sup>®</sup> Plus Low-Cost Universal Dev. Kit	✓	✓	✓	✓	✓	✓	✓	✓	✓	✓		
PRO MATE <sup>®</sup> II Universal Programmer	✓	✓	✓	✓	✓	✓	✓	✓	✓	✓	✓	✓
KEELOQ <sup>®</sup> Programmer												✓
<b>Demo Boards</b>												
SEEVAL <sup>®</sup> Designers Kit											✓	
PICDEM-1			✓	✓			✓		✓			
PICDEM-2					✓	✓						
PICDEM-3								✓				
KEELOQ <sup>®</sup> Evaluation Kit												✓



## 11.0 ELECTRICAL CHARACTERISTICS - PIC12CE5XX

### Absolute Maximum Ratings†

Ambient Temperature under bias .....	-40°C to +125°C
Storage Temperature.....	-65°C to +150°C
Voltage on VDD with respect to VSS .....	0 to +7.0 V
Voltage on $\overline{MCLR}$ with respect to VSS.....	0 to +14 V
Voltage on all other pins with respect to VSS .....	-0.6 V to (VDD + 0.6 V)
Total Power Dissipation <sup>(1)</sup> .....	700 mW
Max. Current out of VSS pin.....	200 mA
Max. Current into VDD pin.....	150 mA
Input Clamp Current, I <sub>IK</sub> (V <sub>I</sub> < 0 or V <sub>I</sub> > VDD) .....	±20 mA
Output Clamp Current, I <sub>OK</sub> (V <sub>O</sub> < 0 or V <sub>O</sub> > VDD) .....	±20 mA
Max. Output Current sunk by any I/O pin .....	25 mA
Max. Output Current sourced by any I/O pin .....	25 mA
Max. Output Current sourced by I/O port (GPIO).....	100 mA
Max. Output Current sunk by I/O port (GPIO) .....	100 mA

**Note 1:** Power Dissipation is calculated as follows:  $P_{DIS} = V_{DD} \times \{I_{DD} - \sum I_{OH}\} + \sum \{(V_{DD} - V_{OH}) \times I_{OH}\} + \sum (V_{OL} \times I_{OL})$

†NOTICE: Stresses above those listed under "Maximum Ratings" may cause permanent damage to the device. This is a stress rating only and functional operation of the device at those or any other conditions above those indicated in the operation listings of this specification is not implied. Exposure to maximum rating conditions for extended periods may affect device reliability.

PRELIMINARY

# PIC12CE5XX

## 11.1 DC CHARACTERISTICS: PIC12CE518/519 (Commercial) PIC12CE518/519 (Industrial) PIC12CE518/519 (Extended)

Standard Operating Conditions (unless otherwise specified)						
DC Characteristics Power Supply Pins		Operating Temperature 0°C ≤ TA ≤ +70°C (commercial) -40°C ≤ TA ≤ +85°C (industrial) -40°C ≤ TA ≤ +125°C (extended)				
Characteristic	Sym	Min	Typ <sup>(1)</sup>	Max	Units	Conditions
Supply Voltage	VDD	3.0		5.5	V	FOSC = DC to 4 MHz (Commercial/Industrial)
		4.5		5.5	V	FOSC = DC to 4 MHz (Extended)
RAM Data Retention Voltage <sup>(2)</sup>	VDR		1.5*		V	Device in SLEEP mode
VDD Start Voltage to ensure Power-on Reset	VPOR		VSS		V	See section on Power-on Reset for details
VDD Rise Rate to ensure Power-on Reset	SVDD	0.05*			V/ms	See section on Power-on Reset for details
Supply Current <sup>(3)</sup> No read/write to EEPROM peripheral	IDD	—	1.8	2.4	mA	XT and EXTRC options (Note 4) FOSC = 4 MHz, VDD = 5.5V
		—	1.8	2.4	mA	INTRC Option FOSC = 4 MHz, VDD = 5.5V
		—	15	27	μA	LP OPTION, Commercial Temperature FOSC = 32 kHz, VDD = 3.0V, WDT disabled
		—	19	35	μA	LP OPTION, Industrial Temperature FOSC = 32 kHz, VDD = 3.0V, WDT disabled
		—	19	35	μA	LP OPTION, Extended Temperature FOSC = 32 kHz, VDD = 4.5V, WDT disabled
Supply Current <sup>(3)</sup> During read/write to EEPROM peripheral	IDD	—	1.9	2.6	mA	XT and EXTRC options (Note 4) FOSC = 4 MHz, VDD = 5.5V, SCL = 400 kHz
		—	1.9	2.6	mA	INTRC Option FOSC = 4 MHz, VDD = 5.5V SCL = 400 kHz

\* These parameters are characterized but not tested.

Note 1: Data in the Typical ("Typ") column is based on characterization results at 25°C. This data is for design guidance only and is not tested.

2: This is the limit to which VDD can be lowered in SLEEP mode without losing RAM data.

3: The supply current is mainly a function of the operating voltage and frequency. Other factors such as bus loading, oscillator type, bus rate, internal code execution pattern, and temperature also have an impact on the current consumption.

a) The test conditions for all IDD measurements in active operation mode are:

OSC1 = external square wave, from rail-to-rail; all I/O pins tristated, pulled to VSS; T0CKI = VDD; MCLR = VDD; WDT enabled/disabled as specified.

b) For standby current measurements, the conditions are the same, except that the device is in SLEEP mode.

c) EEPROM data memory in standby unless otherwise indicated.

4: Does not include current through Rext. The current through the resistor can be estimated by the formula: IR = VDD/2Rext (mA) with Rext in kOhm.

5: The power down current in SLEEP mode does not depend on the oscillator type. Power down current is measured with the part in SLEEP mode, with all I/O pins in hi-impedance state and tied to VDD or VSS. EEPROM data memory in standby.

DC Characteristics Power Supply Pins		Standard Operating Conditions (unless otherwise specified)				
		Operating Temperature				
		0°C ≤ TA ≤ +70°C (commercial)				
		-40°C ≤ TA ≤ +85°C (industrial)				
		-40°C ≤ TA ≤ +125°C (extended)				
Characteristic	Sym	Min	Typ <sup>(1)</sup>	Max	Units	Conditions
Power-Down Current <sup>(5)</sup> WDT Enabled	IPD	—	4	13	μA	VDD = 3.0V, Commercial
		—	4	14	μA	VDD = 3.0V, Industrial
		—	5	23	μA	VDD = 4.5V, Extended
WDT Disabled	IPD	—	0.26	5	μA	VDD = 3.0V, Commercial
		—	0.26	6	μA	VDD = 3.0V, Industrial
		—	2	13	μA	VDD = 4.5V, Extended

\* These parameters are characterized but not tested.

Note 1: Data in the Typical ("Typ") column is based on characterization results at 25°C. This data is for design guidance only and is not tested.

- 2: This is the limit to which VDD can be lowered in SLEEP mode without losing RAM data.
- 3: The supply current is mainly a function of the operating voltage and frequency. Other factors such as bus loading, oscillator type, bus rate, internal code execution pattern, and temperature also have an impact on the current consumption.
  - a) The test conditions for all IDD measurements in active operation mode are:  
OSC1 = external square wave, from rail-to-rail; all I/O pins tristated, pulled to Vss, T0CKI = VDD, MCLR = VDD; WDT enabled/disabled as specified.
  - b) For standby current measurements, the conditions are the same, except that the device is in SLEEP mode.
  - c) EEPROM data memory in standby unless otherwise indicated.
- 4: Does not include current through Rext. The current through the resistor can be estimated by the formula: IR = VDD/2Rext (mA) with Rext in kΩ.
- 5: The power down current in SLEEP mode does not depend on the oscillator type. Power down current is measured with the part in SLEEP mode, with all I/O pins in hi-impedance state and tied to VDD or Vss. EEPROM data memory in standby.

PRELIMINARY

# PIC12CE5XX

## 11.2 DC CHARACTERISTICS: PIC12CE518/519 (Commercial) PIC12CE518/519 (Industrial) PIC12CE518/519 (Extended)

DC Characteristics All Pins Except Power Supply Pins		Standard Operating Conditions (unless otherwise specified)					
		Operating Temperature $0^{\circ}\text{C} \leq T_A \leq +70^{\circ}\text{C}$ (commercial) $-40^{\circ}\text{C} \leq T_A \leq +85^{\circ}\text{C}$ (industrial) $-40^{\circ}\text{C} \leq T_A \leq +125^{\circ}\text{C}$ (extended) Operating Voltage $V_{DD}$ range is described in Section 11.1.					
Characteristic	Sym	Min	Typ <sup>(1)</sup>	Max	Units	Conditions	
<b>Input Low Voltage</b> I/O ports	V <sub>IL</sub>	V <sub>SS</sub>		0.8	V	Pin at hi-impedance $4.5\text{V} < V_{DD} \leq 5.5\text{V}$	
		V <sub>SS</sub>		0.15 V <sub>DD</sub>	V	Pin at hi-impedance $3.0\text{V} < V_{DD} \leq 4.5\text{V}$	
	MCLR and GP2 (Schmitt Trigger)	V <sub>SS</sub>		0.15 V <sub>DD</sub>	V	EXTRC option only <sup>(4)</sup> XT and LP options	
	OSC1	V <sub>SS</sub>		0.15 V <sub>DD</sub>	V		
OSC1	V <sub>SS</sub>		0.3 V <sub>DD</sub>	V			
<b>Input High Voltage</b> I/O ports	V <sub>IH</sub>	$0.25V_{DD}+0.8\text{V}$		V <sub>DD</sub>	V	$3.0\text{V} < V_{DD} \leq 4.5\text{V}$	
		2.0		V <sub>DD</sub>	V	$4.5\text{V} < V_{DD} \leq 5.5\text{V}$ <sup>(5)</sup>	
		$0.2V_{DD}+1\text{V}$		V <sub>DD</sub>	V	Full V <sub>DD</sub> range <sup>(5)</sup>	
	MCLR and GP2 (Schmitt Trigger)	$0.85 V_{DD}$		V <sub>DD</sub>	V	EXTRC option only <sup>(4)</sup> XT and LP options	
	OSC1 (Schmitt Trigger)	$0.85 V_{DD}$		V <sub>DD</sub>	V		
	IPUR	$0.7 V_{DD}$		V <sub>DD</sub>	V		
<b>Input Leakage Current</b> <sup>(2,3)</sup> I/O ports	I <sub>IL</sub>	-1	0.5	+1	μA	For V <sub>DD</sub> ≤ 5.5V V <sub>SS</sub> ≤ V <sub>PIN</sub> ≤ V <sub>DD</sub> , Pin at hi-impedance	
		MCLR	20	130	250	μA	V <sub>PIN</sub> = V <sub>SS</sub> + 0.25V <sup>(2)</sup>
		OSC1	0.5		+5	μA	V <sub>PIN</sub> = V <sub>DD</sub>
			-3	0.5	+3	μA	V <sub>SS</sub> ≤ V <sub>PIN</sub> ≤ V <sub>DD</sub> , XT and LP options
<b>Output Low Voltage</b> I/O ports	V <sub>OL</sub>			0.6	V	I <sub>OL</sub> = 8.7 mA, V <sub>DD</sub> = 4.5V	
<b>Output High Voltage</b> <sup>(3,4)</sup> I/O ports	V <sub>OH</sub>	V <sub>DD</sub> - 0.7			V	I <sub>OH</sub> = -5.4 mA, V <sub>DD</sub> = 4.5V	

\* These parameters are characterized but not tested.

Note 1: Data in the Typical ("Typ") column is based on characterization results at 25°C. This data is for design guidance only and is not tested.

- 2: The leakage current on the MCLR/V<sub>PP</sub> pin is strongly dependent on the applied voltage level. The specified levels represent normal operating conditions. Higher leakage current may be measured at different input voltage.
- 3: Negative current is defined as coming out of the pin.
- 4: For PIC12CE5XX devices, the OSC1/CLKIN pin is a Schmitt Trigger input. It is not recommended that the PIC12CE5XX be driven with external clock in RC mode.
- 5: The user may use the better of the two specifications.

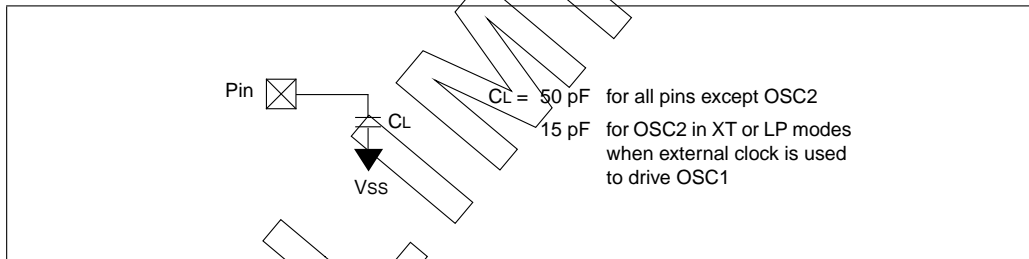
## 11.3 Timing Parameter Symbology and Load Conditions

The timing parameter symbols have been created following one of the following formats:

1. TppS2ppS
2. TppS

<b>T</b>		<b>T</b>	
F	Frequency	T	Time
Lowercase subscripts (pp) and their meanings:			
<b>pp</b>		mc	MCLR
2	to	osc	oscillator
ck	CLKOUT	os	OSC1
cy	cycle time	t0	T0CKI
drt	device reset timer	wdt	watchdog timer
io	I/O port		
Uppercase letters and their meanings:			
<b>S</b>		P	Period
F	Fall	R	Rise
H	High	V	Valid
I	Invalid (Hi-impedance)	Z	Hi-impedance
L	Low		

**FIGURE 11-1: LOAD CONDITIONS - PIC12CE5XX**



# PIC12CE5XX

## 11.4 Timing Diagrams and Specifications

FIGURE 11-2: EXTERNAL CLOCK TIMING - PIC12CE5XX

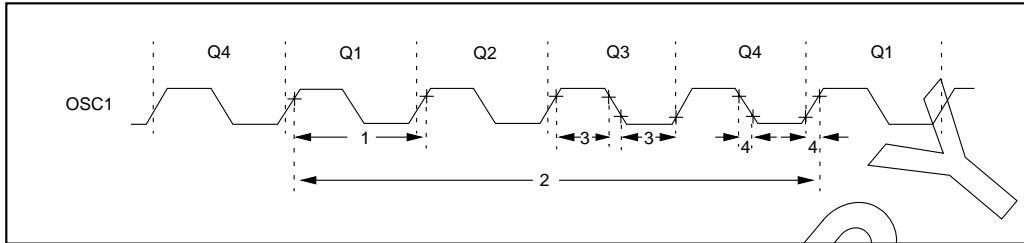


TABLE 11-1: EXTERNAL CLOCK TIMING REQUIREMENTS - PIC12CE5XX

AC Characteristics		Standard Operating Conditions (unless otherwise specified)					
		Operating Temperature 0°C ≤ TA ≤ +70°C (commercial), -40°C ≤ TA ≤ +85°C (industrial), -40°C ≤ TA ≤ +125°C (extended)					
		Operating Voltage VDD range is described in Section 11.1					
Parameter No.	Sym	Characteristic	Min	Typ <sup>(1)</sup>	Max	Units	Conditions
	Fosc	External CLKIN Frequency <sup>(2)</sup>	DC	—	4	MHz	XT osc mode
			DC	—	200	kHz	LP osc mode
		Oscillator Frequency <sup>(2)</sup>	DC	—	4	MHz	EXTRC osc mode
			0.1	—	4	MHz	XT osc mode
1	Tosc	External CLKIN Period <sup>(2)</sup>	250	—	—	ns	XT osc mode
			5	—	—	ms	LP osc mode
		Oscillator Period <sup>(2)</sup>	250	—	—	ns	EXTRC osc mode
			250	—	10,000	ns	XT osc mode
			5	—	—	ms	LP osc mode
			5	—	—	ms	LP osc mode
2	Tcy	Instruction Cycle Time <sup>(3)</sup>	—	4/Fosc	—	—	—
3	TosL, TosH	Clock in (OSC1) Low or High Time	50*	—	—	ns	XT oscillator
			2*	—	—	ms	LP oscillator
4	TosR, TosF	Clock in (OSC1) Rise or Fall Time	—	—	25*	ns	XT oscillator
			—	—	50*	ns	LP oscillator

\* These parameters are characterized but not tested.

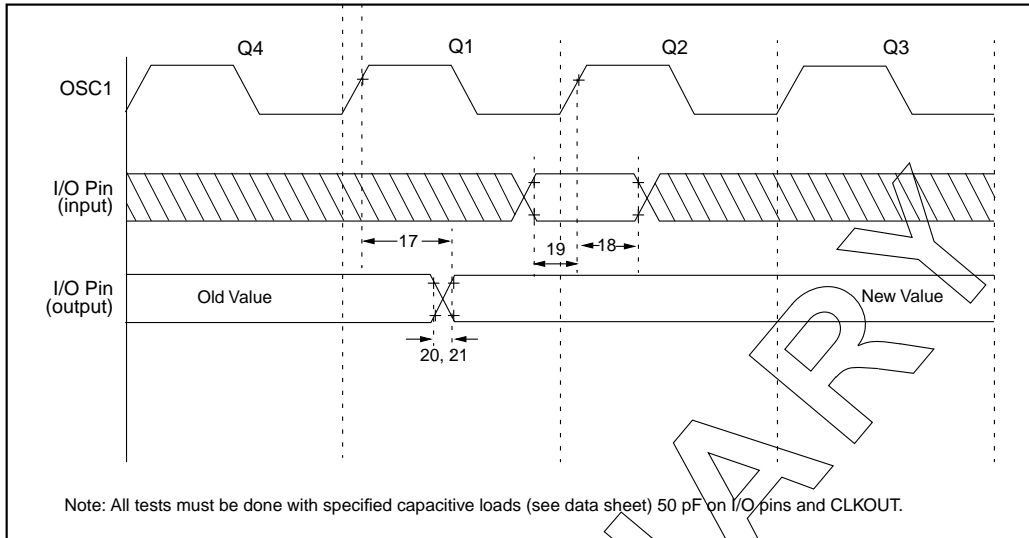
Note 1: Data in the Typical ("Typ") column is at 5V, 25°C unless otherwise stated. These parameters are for design guidance only and are not tested.

2: All specified values are based on characterization data for that particular oscillator type under standard operating conditions with the device executing code. Exceeding these specified limits may result in an unstable oscillator operation and/or higher than expected current consumption.

When an external clock input is used, the "max" cycle time limit is "DC" (no clock) for all devices.

3: Instruction cycle period (Tcy) equals four times the input oscillator time base period.

**FIGURE 11-3: I/O TIMING - PIC12CE5XX**



**TABLE 11-2: TIMING REQUIREMENTS - PIC12CE5XX**

AC Characteristics		Standard Operating Conditions (unless otherwise specified)				
		Operating Temperature $0^{\circ}\text{C} \leq T_A \leq +70^{\circ}\text{C}$ (commercial) $-40^{\circ}\text{C} \leq T_A \leq +85^{\circ}\text{C}$ (industrial) $-40^{\circ}\text{C} \leq T_A \leq +125^{\circ}\text{C}$ (extended)				
		Operating Voltage $V_{DD}$ range is described in Section 11.1				
Parameter No.	Sym	Characteristic	Min	Typ <sup>(1)</sup>	Max	Units
17	TosH2ioV	OSC1 $\uparrow$ (Q1 cycle) to Port out valid <sup>(3)</sup>	—	—	100*	ns
18	TosH2iol	OSC1 $\uparrow$ (Q2 cycle) to Port input invalid (I/O in hold time)	TBD	—	—	ns
19	TioV2osH	Port input valid to OSC1 $\uparrow$ (I/Q in setup time)	TBD	—	—	ns
20	TioR	Port output rise time <sup>(3)</sup>	—	10	25**	ns
21	TioF	Port output fall time <sup>(3)</sup>	—	10	25**	ns

\* These parameters are characterized but not tested.

\*\* These parameters are design targets and are not tested. No characterization data available at this time.

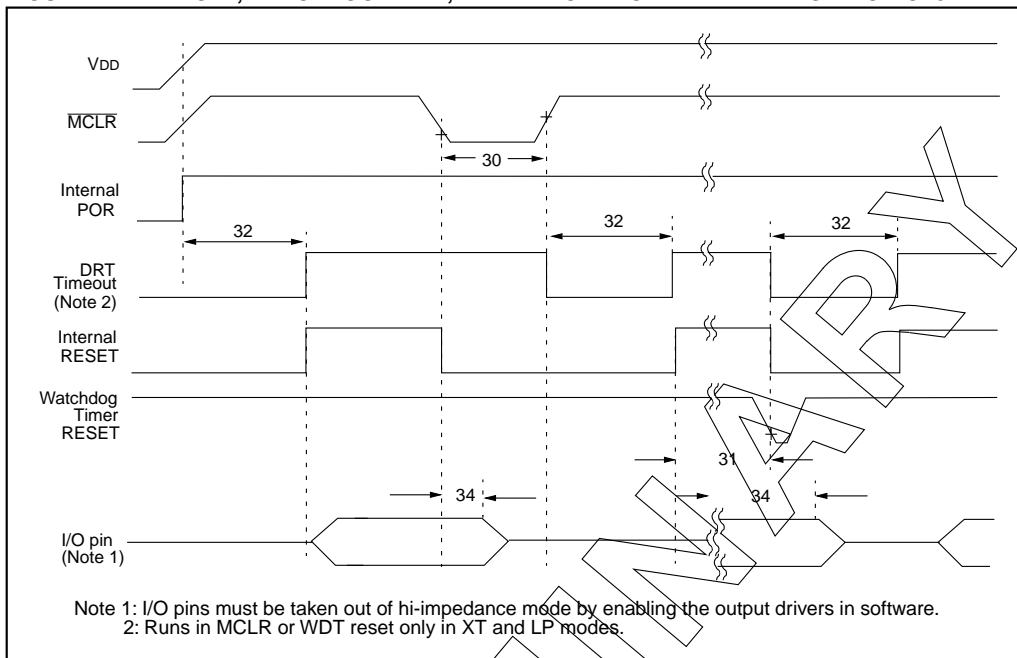
Note 1: Data in the Typical ("Typ") column is at 5V, 25°C unless otherwise stated. These parameters are for design guidance only and are not tested.

2: Measurements are taken in EXTRC mode.

3: See Figure 11-1 for loading conditions.

# PIC12CE5XX

**FIGURE 11-4: RESET, WATCHDOG TIMER, AND DEVICE RESET TIMER TIMING - PIC12CE5XX**



**TABLE 11-3: RESET, WATCHDOG TIMER, AND DEVICE RESET TIMER - PIC12CE5XX**

AC Characteristics Standard Operating Conditions (unless otherwise specified)							
Operating Temperature $0^{\circ}\text{C} \leq T_A \leq +70^{\circ}\text{C}$ (commercial) $-40^{\circ}\text{C} \leq T_A \leq +85^{\circ}\text{C}$ (industrial) $-40^{\circ}\text{C} \leq T_A \leq +125^{\circ}\text{C}$ (extended)							
Operating Voltage $V_{DD}$ range is described in Section 11.1							
Parameter No.	Sym	Characteristic	Min	Typ <sup>(1)</sup>	Max	Units	Conditions
30	TmcL	MCLR Pulse Width (low)	2000*	—	—	ns	$V_{DD} = 5\text{ V}$
31	Twdt	Watchdog Timer Time-out Period (No Prescaler)	9*	18*	30*	ms	$V_{DD} = 5\text{ V}$ (Commercial)
32	TdRT	Device Reset Timer Period <sup>(2)</sup>	9*	18*	30*	ms	$V_{DD} = 5\text{ V}$ (Commercial)
34	Tioz	I/O Hi-impedance from MCLR Low	—	—	2000*	ns	

\* These parameters are characterized but not tested.

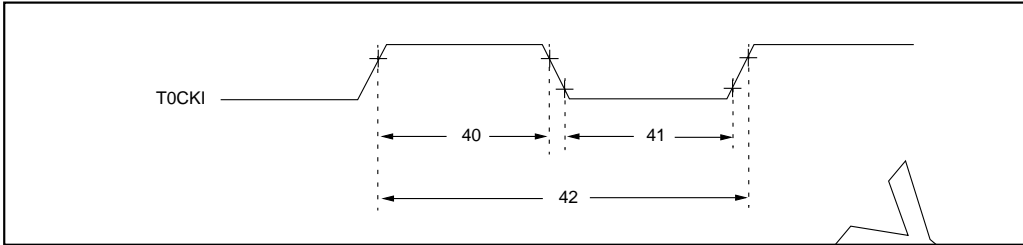
Note 1: Data in the Typical ("Typ") column is at 5V, 25°C unless otherwise stated. These parameters are for design guidance only and are not tested.

**TABLE 11-4: DRT (DEVICE RESET TIMER PERIOD) TIME OUT**

Oscillator Configuration	POR Reset	Subsequent Resets
IntRC & ExtRC	18 ms (typical)	300 $\mu\text{s}$ (typical)
XT & LP	18 ms (typical)	18 ms (typical)



**FIGURE 11-5: TIMER0 CLOCK TIMINGS - PIC12CE5XX**



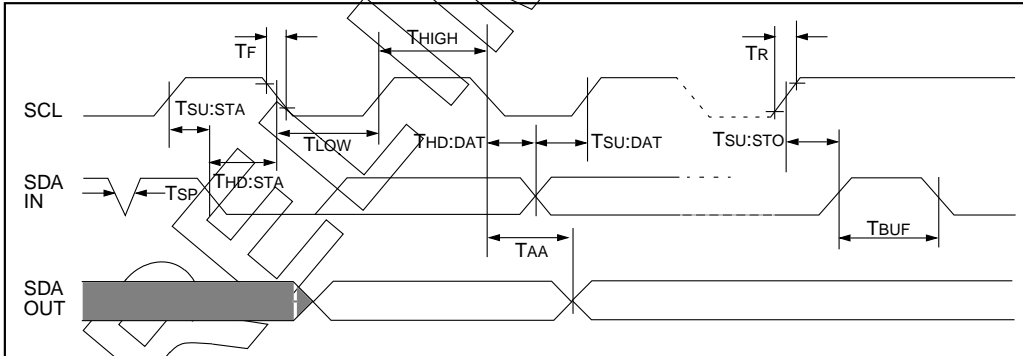
**TABLE 11-5: TIMER0 CLOCK REQUIREMENTS - PIC12CE5XX**

AC Characteristics		Standard Operating Conditions (unless otherwise specified)					
		Operating Temperature $0^{\circ}\text{C} \leq T_A \leq +70^{\circ}\text{C}$ (commercial) $-40^{\circ}\text{C} \leq T_A \leq +85^{\circ}\text{C}$ (industrial) $-40^{\circ}\text{C} \leq T_A \leq +125^{\circ}\text{C}$ (extended) Operating Voltage $V_{DD}$ range is described in Section 11.1.					
Parameter No.	Sym	Characteristic	Min	Typ <sup>(1)</sup>	Max	Units	Conditions
40	Tt0H	T0CKI High Pulse Width - No Prescaler	$0.5 T_{CY} + 20^*$	—	—	ns	
		- With Prescaler	$10^*$	—	—	ns	
41	Tt0L	T0CKI Low Pulse Width - No Prescaler	$0.5 T_{CY} + 20^*$	—	—	ns	
		- With Prescaler	$10^*$	—	—	ns	
42	Tt0P	T0CKI Period	$20 \text{ or } T_{CY} + 40$ N	—	—	ns	Whichever is greater. N = Prescale Value (1, 2, 4, ..., 256)

\* These parameters are characterized but not tested.

Note 1: Data in the Typical ("Typ") column is at 5V, 25°C unless otherwise stated. These parameters are for design guidance only and are not tested.

**FIGURE 11-6: EEPROM MEMORY BUS TIMING DATA**



# PIC12CE5XX

**TABLE 11-6: EEPROM MEMORY BUS TIMING REQUIREMENTS**

AC Characteristics	Standard Operating Conditions (unless otherwise specified)				
	Operating Temperature $0^{\circ}\text{C} \leq T_A \leq +70^{\circ}\text{C}$ , $V_{CC} = 3.0\text{V}$ to $5.5\text{V}$ (commercial) $-40^{\circ}\text{C} \leq T_A \leq +85^{\circ}\text{C}$ , $V_{CC} = 3.0\text{V}$ to $5.5\text{V}$ (industrial) $-40^{\circ}\text{C} \leq T_A \leq +125^{\circ}\text{C}$ , $V_{CC} = 4.5\text{V}$ to $5.5\text{V}$ (extended) Operating Voltage $V_{DD}$ range is described in Section 11.1				
Parameter	Symbol	Min	Max	Units	Conditions
Clock frequency	FCLK	—	100	kHz	$4.5\text{V} \leq V_{CC} \leq 5.5\text{V}$ (E Temp range) $3.0\text{V} \leq V_{CC} \leq 4.5\text{V}$ $4.5\text{V} \leq V_{CC} \leq 5.5\text{V}$
		—	100		
		—	400		
Clock high time	THIGH	4000	—	ns	$4.5\text{V} \leq V_{CC} \leq 5.5\text{V}$ (E Temp range) $3.0\text{V} \leq V_{CC} \leq 4.5\text{V}$ $4.5\text{V} \leq V_{CC} \leq 5.5\text{V}$
		4000	—		
		600	—		
Clock low time	TLOW	4700	—	ns	$4.5\text{V} \leq V_{CC} \leq 5.5\text{V}$ (E Temp range) $3.0\text{V} \leq V_{CC} \leq 4.5\text{V}$ $4.5\text{V} \leq V_{CC} \leq 5.5\text{V}$
		4700	—		
		1300	—		
SDA and SCL rise time (Note 1)	TR	—	1000	ns	$4.5\text{V} \leq V_{CC} \leq 5.5\text{V}$ (E Temp range) $3.0\text{V} \leq V_{CC} \leq 4.5\text{V}$ $4.5\text{V} \leq V_{CC} \leq 5.5\text{V}$
		—	1000		
		—	300		
SDA and SCL fall time	TF	—	300	ns	(Note 1)
START condition hold time	THD:STA	4000	—	ns	$4.5\text{V} \leq V_{CC} \leq 5.5\text{V}$ (E Temp range) $3.0\text{V} \leq V_{CC} \leq 4.5\text{V}$ $4.5\text{V} \leq V_{CC} \leq 5.5\text{V}$
		4000	—		
		600	—		
START condition setup time	TSU:STA	4700	—	ns	$4.5\text{V} \leq V_{CC} \leq 5.5\text{V}$ (E Temp range) $3.0\text{V} \leq V_{CC} \leq 4.5\text{V}$ $4.5\text{V} \leq V_{CC} \leq 5.5\text{V}$
		4700	—		
		600	—		
Data input hold time	THD:DAT	0	—	ns	(Note 2)
Data input setup time	TSU:DAT	250	—	ns	$4.5\text{V} \leq V_{CC} \leq 5.5\text{V}$ (E Temp range) $3.0\text{V} \leq V_{CC} \leq 4.5\text{V}$ $4.5\text{V} \leq V_{CC} \leq 5.5\text{V}$
		250	—		
		100	—		
STOP condition setup time	TSU:STO	4000	—	ns	$4.5\text{V} \leq V_{CC} \leq 5.5\text{V}$ (E Temp range) $3.0\text{V} \leq V_{CC} \leq 4.5\text{V}$ $4.5\text{V} \leq V_{CC} \leq 5.5\text{V}$
		4000	—		
		600	—		
Output valid from clock (Note 2)	TAA	—	3500	ns	$4.5\text{V} \leq V_{CC} \leq 5.5\text{V}$ (E Temp range) $3.0\text{V} \leq V_{CC} \leq 4.5\text{V}$ $4.5\text{V} \leq V_{CC} \leq 5.5\text{V}$
		—	3500		
		—	900		
Bus free time: Time the bus must be free before a new transmission can start	TBUF	4700	—	ns	$4.5\text{V} \leq V_{CC} \leq 5.5\text{V}$ (E Temp range) $3.0\text{V} \leq V_{CC} \leq 4.5\text{V}$ $4.5\text{V} \leq V_{CC} \leq 5.5\text{V}$
		4700	—		
		1300	—		
Output fall time from $V_{IH}$ minimum to $V_{IL}$ maximum	TOF	$20+0.1$ CB	250	ns	(Note 1), $CB \leq 100$ pF
Input filter spike suppression (SDA and SCL pins)	TSP	—	50	ns	(Notes 1, 3)
Write cycle time	TWC	—	4	ms	
Endurance		1M	—	cycles	$25^{\circ}\text{C}$ , $V_{CC} = 5.0\text{V}$ , Block Mode (Note 4)

**Note 1:** Not 100% tested. CB = total capacitance of one bus line in pF.

- 2:** As a transmitter, the device must provide an internal minimum delay time to bridge the undefined region (minimum 300 ns) of the falling edge of SCL to avoid unintended generation of START or STOP conditions.
- 3:** The combined TSP and  $V_{HYS}$  specifications are due to new Schmitt trigger inputs which provide improved noise spike suppression. This eliminates the need for a TI specification for standard operation.
- 4:** This parameter is not tested but guaranteed by characterization. For endurance estimates in a specific application, please consult the Total Endurance Model which can be obtained on Microchip's BBS or web-site.

**TABLE 11-7: PULL-UP RESISTOR RANGES**

VDD (Volts)	Temperature (°C)	Min	Typ	Max	Units
<b>GP0/GP1</b>					
3.0	-40	27K	32K	35K	Ω
	25	33K	38K	43K	Ω
	85	33K	39K	43K	Ω
	125	37K	42K	60K	Ω
5.5	-40	15K	17K	20K	Ω
	25	18K	20K	23K	Ω
	85	19K	22K	25K	Ω
	125	22K	24K	28K	Ω
<b>GP3</b>					
3.0	-40	271K	326K	395K	Ω
	25	327K	390K	492K	Ω
	85	348K	427K	500K	Ω
	125	400K	472K	567K	Ω
5.5	-40	247K	292K	360K	Ω
	25	288K	341K	437K	Ω
	85	306K	371K	448K	Ω
	125	351K	407K	500K	Ω

\* These parameters are characterized but not tested.

PRELIMINARY

# PIC12CE5XX

---

---

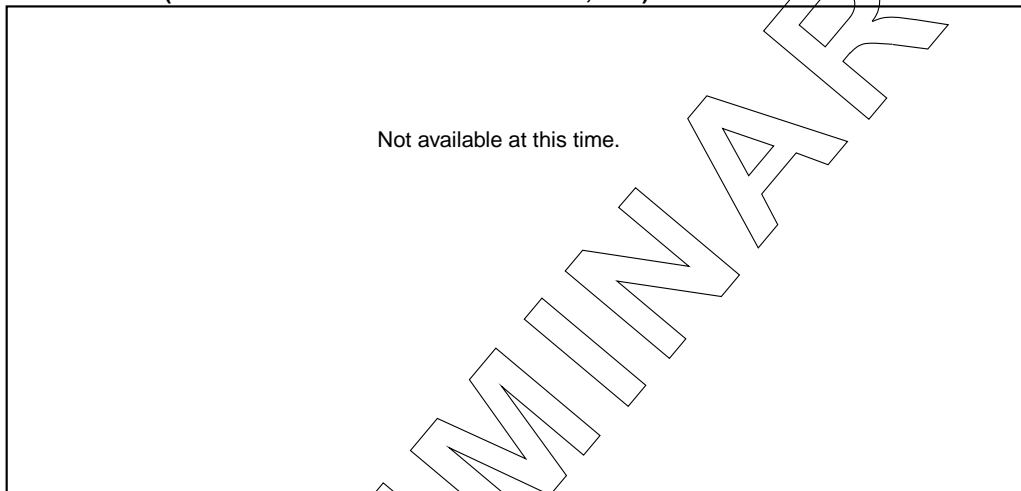
NOTES:

## 12.0 DC AND AC CHARACTERISTICS - PIC12CE5XX

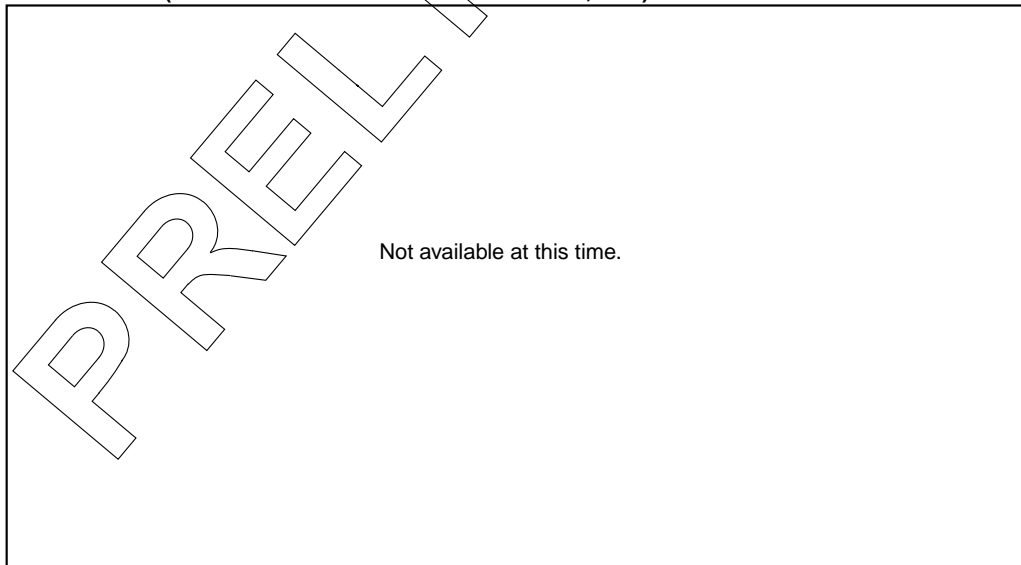
The graphs and tables provided in this section are for design guidance and are not tested or guaranteed. In some graphs or tables the data presented are outside specified operating range (e.g., outside specified VDD range). This is for information only and devices will operate properly only within the specified range.

The data presented in this section is a statistical summary of data collected on units from different lots over a period of time. "Typical" represents the mean of the distribution while "max" or "min" represents (mean + 3 $\sigma$ ) and (mean - 3 $\sigma$ ) respectively, where  $\sigma$  is standard deviation.

**FIGURE 12-1: CALIBRATED INTERNAL RC FREQUENCY RANGE VS. TEMPERATURE (VDD = 5.0V)  
(INTERNAL RC IS CALIBRATED TO 25°C, 5.0V)**

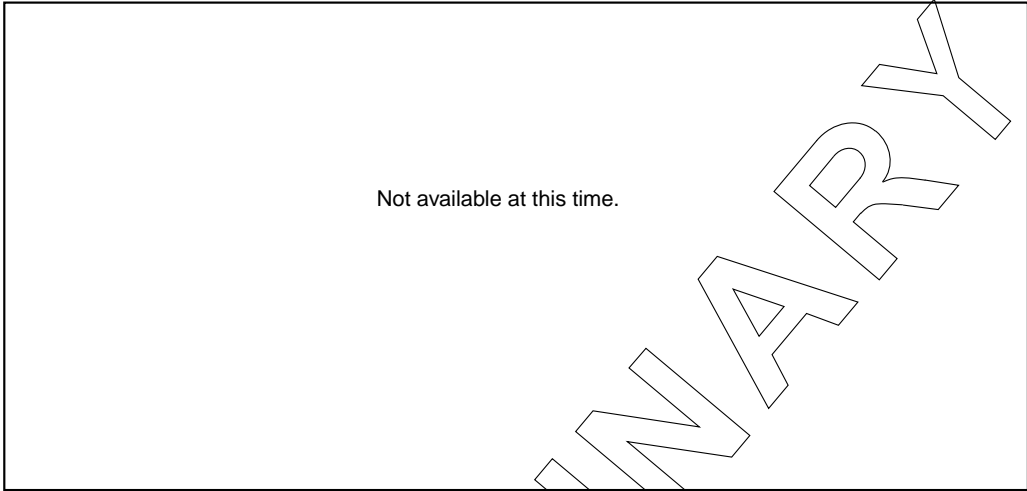


**FIGURE 12-2: CALIBRATED INTERNAL RC FREQUENCY RANGE VS. TEMPERATURE (VDD = 3.0V)  
(INTERNAL RC IS CALIBRATED TO 25°C, 5.0V)**

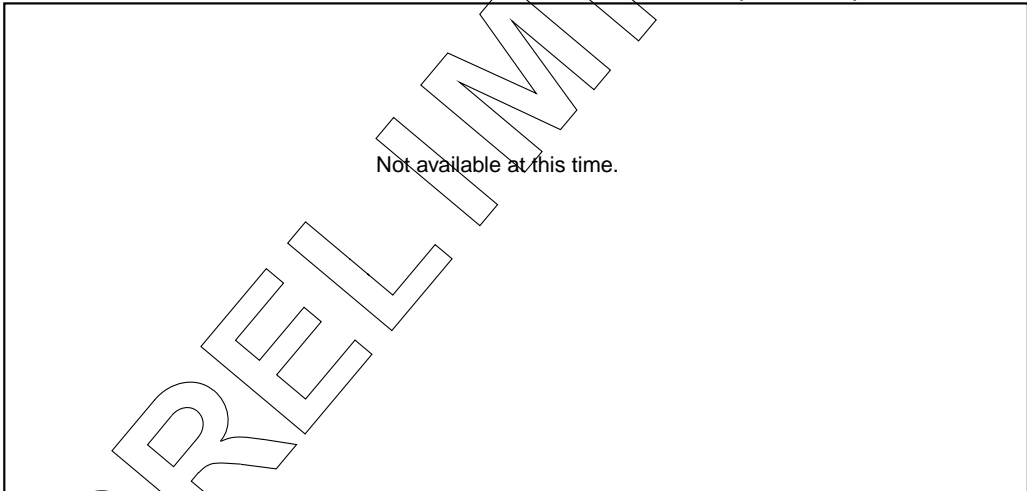


# PIC12CE5XX

**FIGURE 12-3: INTERNAL RC FREQUENCY VS. CALIBRATION VALUE (V<sub>DD</sub> = 5.5V)**



**FIGURE 12-4: INTERNAL RC FREQUENCY VS. CALIBRATION VALUE (V<sub>DD</sub> = 3.0V)**

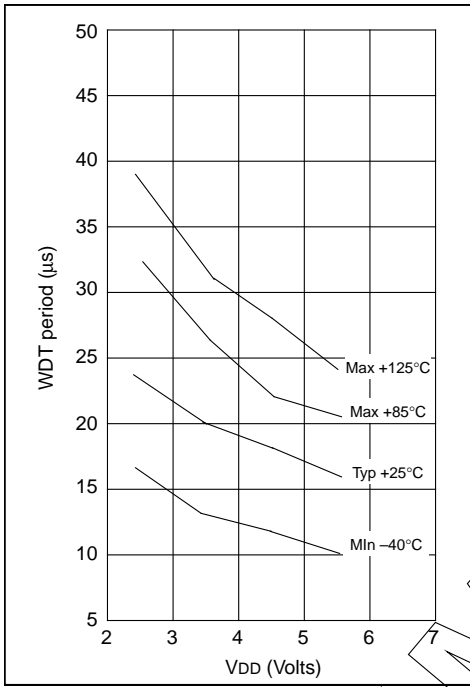


**TABLE 12-1: DYNAMIC I<sub>DD</sub> (TYPICAL) - WDT ENABLED, 25°C**

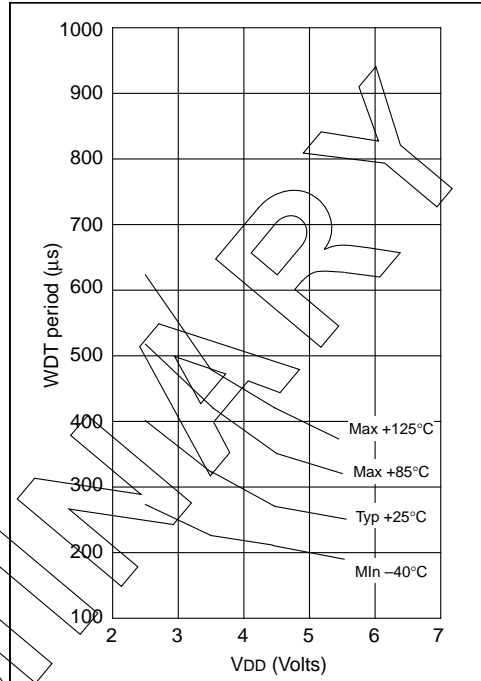
Oscillator	Frequency	V <sub>DD</sub> = 3.0V	V <sub>DD</sub> = 5.5V
External RC	4 MHz	300 $\mu$ A*	620 $\mu$ A*
Internal RC	4 MHz	520 $\mu$ A	1.1 mA
XT	4 MHz	300 $\mu$ A	775 $\mu$ A
LP	32 KHz	10 $\mu$ A	37 $\mu$ A

\*Does not include current through external R&C.

**FIGURE 12-5: WDT TIMER TIME-OUT PERIOD vs. VDD**



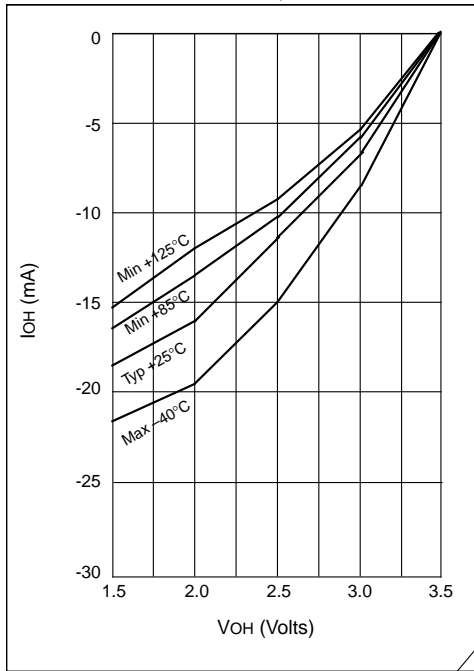
**FIGURE 12-6: SHORT DRT PERIOD VS. VDD**



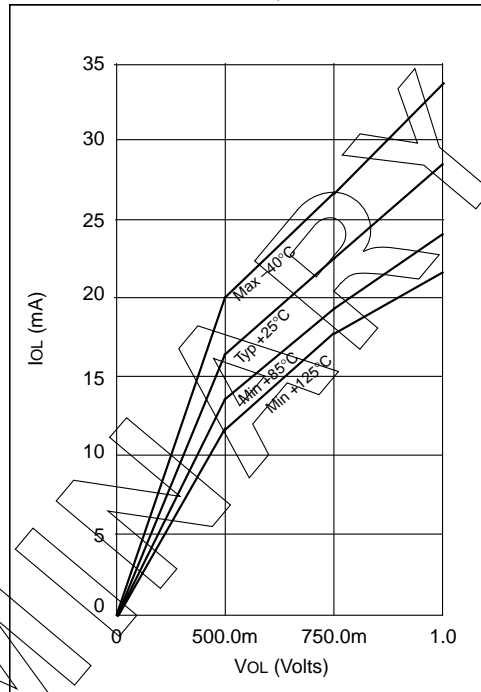
PRELIMINARY

# PIC12CE5XX

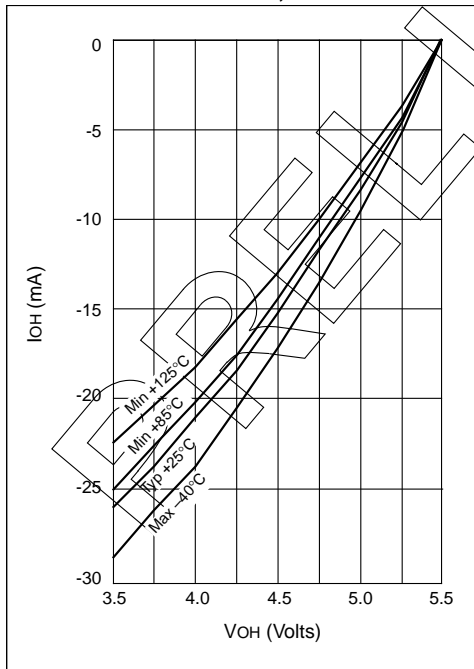
**FIGURE 12-7:  $I_{OH}$  vs.  $V_{OH}$ ,  $V_{DD} = 3.5$  V**



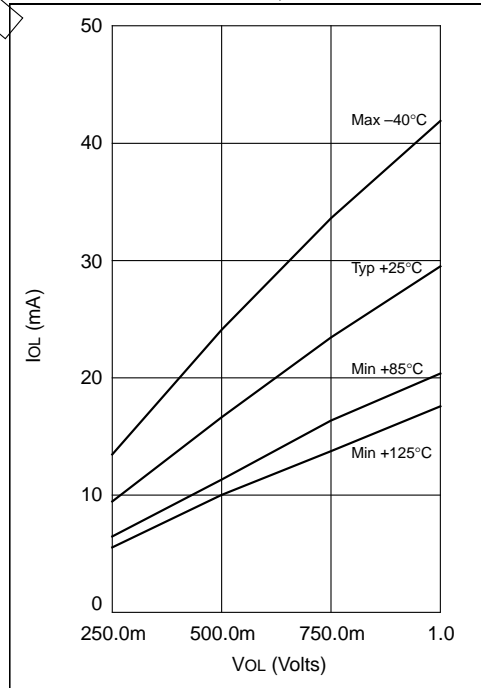
**FIGURE 12-9:  $I_{OL}$  vs.  $V_{OL}$ ,  $V_{DD} = 3.5$  V**



**FIGURE 12-8:  $I_{OH}$  vs.  $V_{OH}$ ,  $V_{DD} = 5.5$  V**



**FIGURE 12-10:  $I_{OL}$  vs.  $V_{OL}$ ,  $V_{DD} = 5.5$  V**





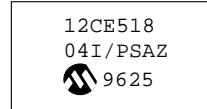
## 13.0 PACKAGING INFORMATION

### 13.1 Package Marking Information

#### 8-Lead PDIP (300 mil)



#### Example



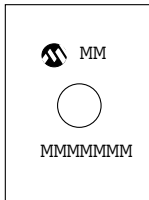
#### 8-Lead SOIC (208 mil)



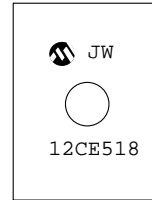
#### Example



#### 8-Lead Windowed Ceramic Side Brazed (300 mil)



#### Example

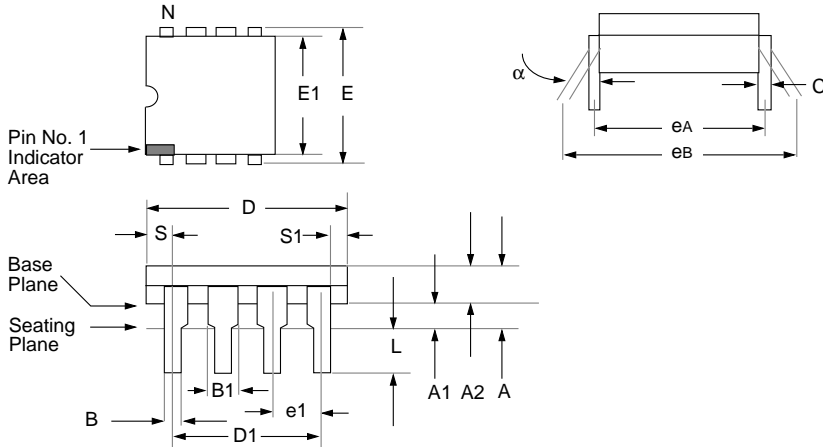


<b>Legend:</b> MM...M	Microchip part number information
XX...X	Customer specific information*
AA	Year code (last 2 digits of calendar year)
BB	Week code (week of January 1 is week '01')
C	Facility code of the plant at which wafer is manufactured C = Chandler, Arizona, U.S.A., S = Tempe, Arizona, U.S.A.
D	Mask revision number
E	Assembly code of the plant or country of origin in which part was assembled
<b>Note:</b>	In the event the full Microchip part number cannot be marked on one line, it will be carried over to the next line thus limiting the number of available characters for customer specific information.

\* Standard OTP marking consists of Microchip part number, year code, week code, facility code, mask rev#, and assembly code. For OTP marking beyond this, certain price adders apply. Please check with your Microchip Sales Office. For QTP devices, any special marking adders are included in QTP price.

# PIC12CE5XX

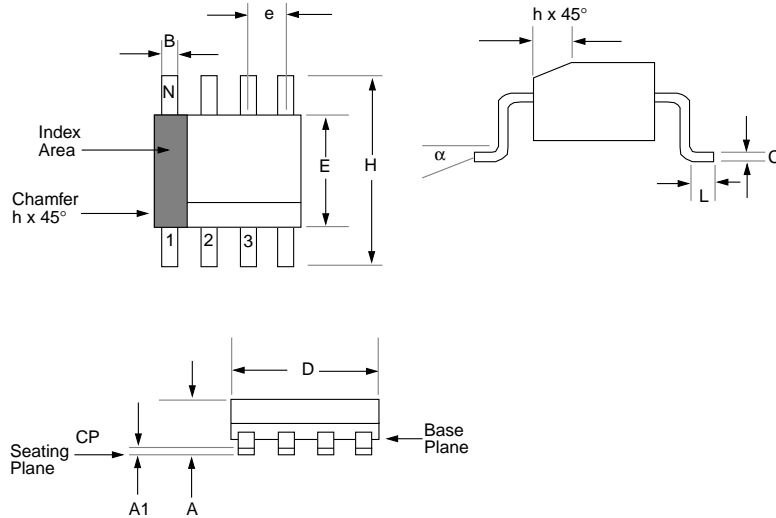
## 13.2 8-Lead Plastic Dual In-line (300 mil)



Package Group: Plastic Dual In-Line (PLA)

Symbol	Millimeters			Inches		
	Min	Max	Notes	Min	Max	Notes
$\alpha$	0°	10°		0°	10°	
A	–	4.064		–	0.160	
A1	0.381	–		0.015	–	
A2	3.048	3.810		0.120	0.150	
B	0.355	0.559		0.014	0.022	
B1	1.397	1.651		0.055	0.065	
C	0.203	0.381	Typical	0.008	0.015	Typical
D	9.017	10.922		0.355	0.430	
D1	7.620	7.620	Reference	0.300	0.300	Reference
E	7.620	8.255		0.300	0.325	
E1	6.096	7.112		0.240	0.280	
e1	2.489	2.591	Typical	0.098	0.102	Typical
eA	7.620	7.620	Reference	0.300	0.300	Reference
eB	7.874	9.906		0.310	0.390	
L	3.048	3.556		0.120	0.140	
N	8	8		8	8	
S	0.889	–		0.035	–	
S1	0.254	–		0.010	–	

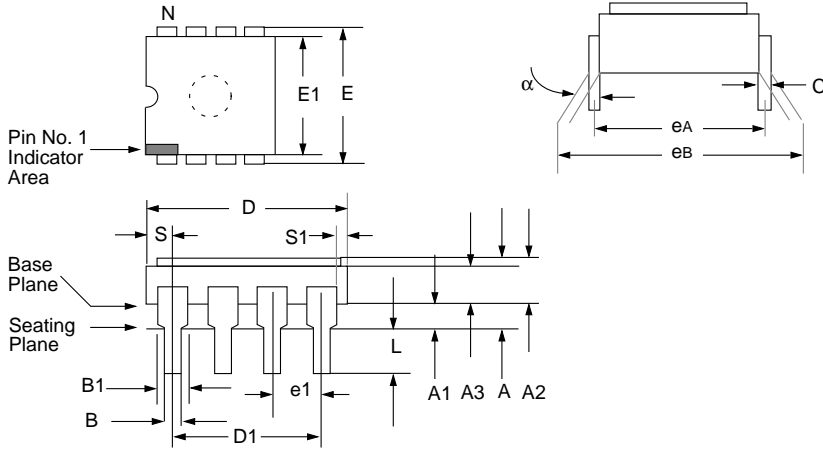
## 13.3 8-Lead Plastic Surface Mount (SOIC - Medium, 208 mil Body)



Package Group: Plastic SOIC (SM)						
Symbol	Millimeters			Inches		
	Min	Max	Notes	Min	Max	Notes
$\alpha$	0°	8°		0°	8°	
A	1.778	2.00		0.070	0.079	
A1	0.101	0.249		0.004	0.010	
B	0.355	0.483		0.014	0.019	
C	0.190	0.249		0.007	0.010	
D	5.080	5.334		0.200	0.210	
E	5.156	5.411		0.203	0.213	
e	1.270	1.270	Reference	0.050	0.050	Reference
H*	7.670	8.103		0.302	0.319	
h	0.381	0.762		0.015	0.030	
L	0.508	1.016		0.020	0.040	
N	14	14		14	14	
CP	–	0.102		–	0.004	

# PIC12CE5XX

## 13.4 8-Lead Ceramic Side Brazed Dual In-Line with Window (JW) (300 mil)



Package Group: Ceramic Side Brazed Dual In-Line (CER)						
Symbol	Millimeters			Inches		
	Min	Max	Notes	Min	Max	Notes
$\alpha$	0°	10°		0°	10°	
A	3.937	5.030		0.155	0.198	
A1	0.635	1.143		0.025	0.045	
A2	2.921	3.429		0.115	0.135	
A3	1.778	2.413		0.070	0.095	
B	0.406	0.508		0.016	0.020	
B1	1.371	1.371	Typical	0.054	0.054	Typical
C	0.228	0.305	Typical	0.009	0.012	Typical
D	13.004	13.412		0.512	0.528	
D1	7.416	7.824	BSC	0.292	0.308	BSC
E	7.569	8.230		0.298	0.324	
E1	7.112	7.620		0.280	0.300	
e1	2.540	2.540	Typical	0.100	0.100	Typical
eA	7.620	7.620	BSC	0.300	0.300	BSC
eB	7.620	9.652		0.300	0.380	
L	3.302	4.064		0.130	0.160	
S	2.540	3.048		0.100	0.120	
S1	0.127	—		0.005	—	

## 14.0 APPENDIX A

The following routines are written for 4 MHz clock operation, where the worst case timing occurs; the routines can be used at lower frequencies without modification. For those using clock speeds much less than 4MHz, it may be possible to reduce code size by removing some of the NOPs (see code listing).

### 14.1 SDA and SCL

The EEPROM interface is a 2-wire bus protocol consisting of data (SDA) and a clock (SCL). Although these lines are mapped into the GPIO register, they are not accessible as external pins; only to the internal EEPROM peripheral. SDA and SCL operation is also slightly different than GPO-GP5 as listed below. Namely, to avoid code overhead in modifying the TRIS register, both SDA and SCL are always outputs. To read data from the EEPROM peripheral requires outputting a '1' on SDA placing it in high-Z state, where only the internal 100K pull-up is active on the SDA line.

SDA:

Built-in 100K pull-up to VDD  
Open-drain (pull-down only)  
Always an output, regardless of TRIS<6>  
Outputs a '1' on reset

SCL:

Full CMOS output  
Always an output regardless of TRIS<7>  
Outputs a '1' on reset

The following example requires:

- Code Space: 77 words
- RAM Space: 5 bytes (4 are overlayable)
- Stack Levels:1 (The call to the function itself. The functions do not call any lower level functions.)
- Timing:
  - WRITE\_BYTE takes 328 cycles
  - READ\_CURRENT takes 212 cycles
  - READ\_RANDOM takes 416 cycles.
- IO Pins: 0 (No external IO pins are used)

This code must reside in the lower half of a page. The code achieves it's small size without additional calls through the use of a sequencing table. The table is a list of procedures that must be called in order. The table uses an ADDWF PCL,F instruction, effectively a computed goto, to sequence to the next procedure. However the ADDWF PCL,F instruction yields an 8 bit address, forcing the code to reside in the first 256 addresses of a page.

### 14.2 Example Code for Reading/Writing to EEPROM Data Memory

```
TITLE "PIC with EEPROM Data Memory Interface"
LIST P=12CE518 ; Change to 12CE519 if using PIC12CE519
#include <p12CE518.inc>
;
; Program: EEPROM.ASM
; Revision Date: 10-10-97 Adapted to 12CE51x parts
;
; PIC12CE51X EEPROM communication code. This code should be linked in
; with the application. These routines provide the following functionality:
; write byte random address
; read byte random address
; read byte next address
;
; read sequential is not supported.
;
; If the operation is successful, bit 7 of PC_OFFSET will be set, and
; the functions will return W=1. If the memory is busy with a write
; cycle, it will not ACK the command. The functions will return with
; bit 7 of PC_OFFSET cleared and W will be set to 0.
;
; Based on Franco code.
;
; Must reside on the lower half of code page (address 0-FF).
;
; This provides users with highly compressed assembly code for
; communication between the EEPROM and the Microcontroller, which
; leaves a maximum amount of code space for the core application.
```

# PIC12CE5XX

---

```
;
; NOPS have been added to meet the timing specs for the memory at 4 MHz
; and low voltage. Applications running at slower clock rates and those
; operating within 4.5-5.5V may be able to remove some of the NOPS.
;
; This code is specifically written for the interface hardware of the
; 12CE51x parts. See AN571 for the unmodified routines.
;*****
;***** EEPROM Subroutines *****
;*****
; Communication for EEPROM based on I2C protocol, with Acknowledge.
;
; Byte_Write: Byte write routine
;   Inputs:   EEPROM Address   EEADDR
;             EEPROM Data     EEDATA
;   Outputs:  Return 01 in W if OK, else return 00 in W
;
; Read_Current: Read EEPROM at address currently held by EE device.
;   Inputs:   NONE
;   Outputs:  EEPROM Data     EEDATA
;             Return 01 in W if OK, else return 00 in W
;
; Read_Random: Read EEPROM byte at supplied address
;   Inputs:   EEPROM Address   EEADDR
;   Outputs:  EEPROM Data     EEDATA
;             Return 01 in W if OK, else return 00 in W
;
; Note: EEPROM subroutines will set bit 7 in PC_OFFSET register if the
;       EEPROM acknowledged OK, else that bit will be cleared. This bit
;       can be checked instead of referring to the value returned in W
;*****
; OPERATION:
;   Byte Write:
;     load EEADDR and EEDATA
;     then CALL BYTE_WRITE
;
;   Read Random:
;     Load EEADDR
;     then CALL READ_RANDOM
;     data read returned in EEDATA
;
;   Read Current
;     no setup necessary
;     CALL READ_CURRENT
;     data read returned in EEDATA
;*****
;
; These functions consume:
; 77 words Programming Memory
; 5 file registers which are overlayable. That is, they can share with
; other functions as long as they are mutually exclusive in time. See
; udata_ovr in the linker manual.
; 1 stack level (the call to the function itself. These functions do not
; call any lower level functions).
;
;
```

```

;*****
;***** Variable Listing *****
;*****
OK          EQU      01H
NO          EQU      00H

I2C_PORT    EQU      GPIO      ; Port B control register, used for I2C
SCL         EQU      07H      ; EEPROM Clock, SCL (I/O bit 7)
SDA         EQU      06H      ; EEPROM Data, SDA (I/O bit 6)

EE_OK       EQU      07H      ; Bit 7 in PC_OFFSET used as OK flag for EE

    udata_ovr
PC_OFFSET   RES      1        ; PC offset register (low order 4 bits),
                                ; value based on operating mode of EEPROM.
                                ; Also, bit 7 used for EE_OK flag
EEADDR      res      1        ; EEPROM Address
EEBYTE      res      1        ; Byte sent to or received from
                                ; EEPROM (control, address, or data)
COUNTER     res      1        ; Bit counter for serial transfer

    udata
EEDATA      res      1        ; EEPROM Data

    global   READ_CURRENT
    global   READ_RANDOM
    global   WRITE_BYTE
    global   EEADDR
    global   EEDATA
    global   PC_OFFSET

;***** Set up EEPROM control bytes *****
;*****
    code
READ_CURRENT
    MOVLW    B'10000100'      ; PC offset for read current addr. EE_OK bit7='1'
    MOVWF    PC_OFFSET      ; Load PC offset
    GOTO     INIT_READ_CONTROL

WRITE_BYTE
    MOVLW    B'10000000'      ; PC offset for write byte. EE_OK: bit7 = '1'
    GOTO     INIT_WRITE_CONTROL

READ_RANDOM
    MOVLW    B'10000011'      ; PC offset for read random. EE_OK: bit7 = '1'

INIT_WRITE_CONTROL
    MOVWF    PC_OFFSET      ; Load PC offset register, value preset in W
    MOVLW    B'10100000'      ; Control byte with write bit, bit 0 = '0'

START_BIT
    BCF      I2C_PORT,SDA    ; Start bit, SDA and SCL preset to '1'

;***** Set up output data (control, address, or data) and counter *****
;*****
PREP_TRANSFER_BYTE
    MOVWF    EEBYTE        ; Byte to transfer to EEPROM already in W
    MOVLW    .8            ; Counter to transfer 8 bits
    MOVWF    COUNTER

```

# PIC12CE5XX

```
;***** Clock out data (control, address, or data) byte *****
;*****
OUTPUT_BYTE
    BCF     I2C_PORT,SCL           ; Set clock low during data set-up
    RLF     EEBYTE, F              ; Rotate left, high order bit into carry bit
    BCF     I2C_PORT,SDA           ; Set data low, if rotated carry bit is
    SKPNC                               ; a '1', then:
    BSF     I2C_PORT,SDA           ; reset data pin to a one, otherwise leave low
    NOP
    BSF     I2C_PORT,SCL           ; clock data into EEPROM
    DECFSZ  COUNTER, F             ; Repeat until entire byte is sent
    GOTO    OUTPUT_BYTE
    NOP                               ; Needed to meet Timing (Thigh=4000nS)

;***** Acknowledge Check *****
;*****
    BCF     I2C_PORT,SCL           ; Set SCL low, 0.5us < ack valid < 3us
    NOP                               ; Needed to meet Timing (Tlow= 4700nS)
    BSF     I2C_PORT,SDA
    GOTO    $+1                       ;
;    NOP                               ; Necessary for SCL Tlow at low voltage,
;    NOP                               ; Tlow=4700nS
    BSF     I2C_PORT,SCL           ; Raise SCL, EEPROM acknowledge still valid
    BTFSZ   I2C_PORT,SDA           ; Check SDA for acknowledge (low)
    BCF     PC_OFFSET,EE_OK        ; If SDA not low (no ack), set error flag
    BCF     I2C_PORT,SCL           ; Lower SCL, EEPROM release bus
    BTFSZ   PC_OFFSET,EE_OK        ; If no error continue, else stop bit
    GOTO    STOP_BIT

;**** Set up program counter offset, based on EEPROM operating mode ****
;*****
    MOVF    PC_OFFSET,W
    ANDLW   B'00001111'
    ADDWF   PCL, F
    GOTO    INIT_ADDRESS             ;PC offset=0, write control done, send address
    GOTO    INIT_WRITE_DATA          ;PC offset=1, write address done, send data
    GOTO    STOP_BIT                 ;PC offset=2, write done, send stop bit
    GOTO    INIT_ADDRESS             ;PC offset=3, write control done, send address
    GOTO    INIT_READ_CONTROL        ;PC offset=4, send read control
    GOTO    READ_BIT_COUNTER         ;PC offset=5, set counter and read byte
    GOTO    STOP_BIT                 ;PC offset=6, random read done, send stop

;***** Initalize EEPROM data (address, data, or control) bytes *****
;*****
INIT_ADDRESS
    INCF    PC_OFFSET, F             ; Increment PC offset to 2 (write) or to 4 (read)
    MOVF    EEADDR,W               ; Put EEPROM address in W, ready to send to EEPROM
    GOTO    PREP_TRANSFER_BYTE

INIT_WRITE_DATA
    INCF    PC_OFFSET, F             ; Increment PC offset to go to STOP_BIT next
    MOVF    EEDATA,W               ; Put EEPROM data in W, ready to send to EEPROM
    GOTO    PREP_TRANSFER_BYTE

INIT_READ_CONTROL
    BSF     I2C_PORT,SDA           ; Raise SCL
    BSF     I2C_PORT,SDA           ; raise SDA
    INCF    PC_OFFSET, F             ; Increment PC offset to go to READ_BIT_COUNTER next
    MOVLW   B'10100001'           ; Set up read control byte, ready to send to EEPROM
    GOTO    START_BIT               ; bit 0 = '1' for read operation
```



```
***** Read EEPROM data *****
*****
READ_BIT_COUNTER
    BSF    I2C_PORT,SDA    ; set data bit to 1 so we're not pulling bus down.
    NOP
    BSF    I2C_PORT,SCL
    MOVLW  .8              ; Set counter so 8 bits will be read into EEDATA
    MOVWF  COUNTER

READ_BYTE
    BSF    I2C_PORT,SCL    ; Raise SCL, SDA valid.  SDA still input from ack
    SETC
    BTFSS  I2C_PORT,SDA    ; Assume bit to be read = 1
                          ; Check if SDA = 1
    CLRC
                          ; if SDA not = 1 then clear carry bit
    RLF    EEDATA, F       ; rotate carry bit (=SDA) into EEDATA;
    BCF    I2C_PORT,SCL    ; Lower SCL
    bsf    I2C_PORT,SDA    ; reset SDA
    DECFSZ COUNTER, F      ; Decrement counter
    GOTO   READ_BYTE       ; Read next bit if not finished reading byte

    BSF    I2C_PORT,SCL
    NOP
    BCF    I2C_PORT,SCL
;***** Generate a STOP bit and RETURN *****
;*****
STOP_BIT
    BCF    I2C_PORT,SDA    ; SDA=0, on TRIS, to prepare for transition to '1'
    BSF    I2C_PORT,SCL    ; SCL = 1 to prepare for STOP bit
    GOTO   $+1             ; equivalent 4 NOPs necessary for I2C spec Tsu:sto = 4.7us
    GOTO   $+1
    BSF    I2C_PORT,SDA    ; Stop bit, SDA transition to '1' while SCL high

    BTFSS  PC_OFFSET,EE_OK ; Check for error
    RETLW  NO              ; if error, send back NO
    RETLW  OK              ; if no error, send back OK

;*****
;***** End EEPROM Subroutines *****
end
```

# PIC12CE5XX

---

---

NOTES:

## INDEX

### A

ALU .....	7
Applications .....	3
Architectural Overview .....	7
Assembler	
MPASM Assembler .....	54

### B

Block Diagram	
On-Chip Reset Circuit .....	35
Timer0 .....	25
TMR0/WDT Prescaler .....	28
Watchdog Timer .....	37
Brown-Out Protection Circuit .....	38

### C

CAL0 bit .....	16
CAL1 bit .....	16
CAL2 bit .....	16
CAL3 bit .....	16
CALFST bit .....	16
CALSLW bit .....	16
Carry .....	7
Clocking Scheme .....	10
Code Protection .....	29, 39
Configuration Bits .....	29
Configuration Word .....	29

### D

DC and AC Characteristics .....	69
Development Support .....	53
Development Tools .....	53
Device Varieties .....	5
Digit Carry .....	7

### E

EEPROM Peripheral Operation .....	21
-----------------------------------	----

### F

Family of Devices .....	4
Features .....	1
FSR .....	18
Fuzzy Logic Dev. System (fuzzyTECH®-MP) .....	55

### I

I/O Interfacing .....	19
I/O Port .....	19
I/O Programming Considerations .....	20
ICEPIC Low-Cost PIC16CXXX In-Circuit Emulator .....	53
ID Locations .....	29, 39
INDF .....	18
Indirect Data Addressing .....	18
Instruction Cycle .....	10
Instruction Flow/Pipelining .....	10
Instruction Set Summary .....	42

### K

KeeLoq® Evaluation and Programming Tools .....	55
--	----

### L

Loading of PC .....	17
---------------------	----

### M

Memory Organization .....	11
Data Memory .....	12
Program Memory .....	11
MP-DriveWay™ - Application Code Generator .....	55
MPLAB C .....	55
MPLAB Integrated Development Environment Software .....	54

### O

OPTION Register .....	15
OSC selection .....	29
OSCCAL Register .....	16
Oscillator Configurations .....	30
Oscillator Types	
HS .....	30
LP .....	30
RC .....	30
XT .....	30

### P

Package Marking Information .....	73
Packaging Information .....	73
PC .....	17
PICDEM-1 Low-Cost PICmicro Demo Board .....	54
PICDEM-2 Low-Cost PIC16CXX Demo Board .....	54
PICDEM-3 Low-Cost PIC16CXXX Demo Board .....	54
PICMASTER® In-Circuit Emulator .....	53
PICSTART® Plus Entry Level Development System .....	53
POR	

Device Reset Timer (DRT) .....	29, 36
PD .....	38
Power-On Reset (POR) .....	29
TO .....	38

PORTA .....	19
Power-Down Mode .....	39
Prescaler .....	28
PRO MATE® II Universal Programmer .....	53
Program Counter .....	17

### Q

Q cycles .....	10
----------------	----

### R

RC Oscillator .....	31
Read Modify Write .....	20
Register File Map .....	12
Registers	
Special Function .....	13
Reset .....	29
Reset on Brown-Out .....	38

### S

SEEVAL® Evaluation and Programming System .....	55
SLEEP .....	29, 39
Software Simulator (MPLAB-SIM) .....	55
Special Features of the CPU .....	29
Special Function Registers .....	13
Stack .....	17
STATUS .....	7
STATUS Register .....	14

### T

Timer0	
Switching Prescaler Assignment .....	28
Timer0 .....	25
Timer0 (TMR0) Module .....	25
TMR0 with External Clock .....	27
Timing Diagrams and Specifications .....	62
Timing Parameter Symbolology and Load Conditions .....	61
TRIS Registers .....	19

### W

Wake-up from SLEEP .....	39
Watchdog Timer (WDT) .....	29, 36
Period .....	37
Programming Considerations .....	37

# PIC12CE5XX

## Z

Zero bit ..... 7

## LIST OF FIGURES

Figure 3-1:	PIC12CE5XX Block Diagram.....	8
Figure 3-2:	Clock/Instruction Cycle .....	10
Figure 4-1:	Program Memory Map and Stack for the PIC12CE5XX .....	11
Figure 4-2:	PIC12CE518 Register File Map.....	12
Figure 4-3:	PIC12CE519 Register File Map.....	12
Figure 4-4:	STATUS Register (Address:03h).....	14
Figure 4-5:	OPTION Register.....	15
Figure 4-6:	OSCCAL Register (Address 8Fh).....	16
Figure 4-7:	Loading of PC Branch Instructions - PIC12CE518/CE519.....	17
Figure 4-8:	Direct/Indirect Addressing.....	18
Figure 5-1:	Equivalent Circuit for a Single I/O Pin.....	19
Figure 5-2:	Successive I/O Operation.....	20
Figure 6-1:	Data Transfer Sequence On The Serial Bus .....	22
Figure 6-2:	Acknowledge Timing.....	22
Figure 6-3:	Control Byte format.....	22
Figure 6-4:	Acknowledge Polling Flow .....	23
Figure 6-5:	Byte Write .....	23
Figure 6-6:	Current Address Read .....	24
Figure 6-7:	Random Read.....	24
Figure 6-8:	Sequential Read .....	24
Figure 7-1:	Timer0 Block Diagram .....	25
Figure 7-2:	Timer0 Timing: Internal Clock/No Prescale.....	26
Figure 7-3:	Timer0 Timing: Internal Clock/ Prescale 1:2 .....	26
Figure 7-4:	Timer0 Timing With External Clock .....	27
Figure 7-5:	Block Diagram of the Timer0/WDT Prescaler.....	28
Figure 8-1:	Configuration Word for PIC12CE5XX .....	29
Figure 8-2:	Crystal Operation (or Ceramic Resonator) (XT or LP OSC Configuration) .....	30
Figure 8-3:	External Clock Input Operation (XT or LP OSC Configuration) .....	30
Figure 8-4:	External Parallel Resonant Crystal Oscillator Circuit.....	31
Figure 8-5:	External Series Resonant Crystal Oscillator Circuit.....	31
Figure 8-6:	External RC Oscillator Mode .....	31
Figure 8-7:	MCLR SELECT .....	34
Figure 8-8:	Simplified Block Diagram of On-Chip Reset Circuit.....	35
Figure 8-9:	Time-Out Sequence on Power-Up (MCLR Pulled Low).....	35
Figure 8-10:	Time-Out Sequence on Power-Up (MCLR Tied to VDD): Fast VDD Rise Time.....	35
Figure 8-11:	Time-Out Sequence on Power-Up (MCLR Tied to VDD): Slow VDD Rise Time.....	36
Figure 8-12:	Watchdog Timer Block Diagram .....	37
Figure 8-13:	Brown-Out Protection Circuit 1 .....	38
Figure 8-14:	Brown-Out Protection Circuit 2 .....	38
Figure 8-15:	Typical In-Circuit Serial Programming Connection.....	40
Figure 9-1:	General Format for Instructions .....	41
Figure 11-1:	Load Conditions - PIC12CE5XX.....	61
Figure 11-2:	External Clock Timing - PIC12CE5XX.....	62

Figure 11-3:	I/O Timing - PIC12CE5XX.....	63
Figure 11-4:	Reset, Watchdog Timer, and Device Reset Timer Timing - PIC12CE5XX.....	64
Figure 11-5:	Timer0 Clock Timings - PIC12CE5XX.....	65
Figure 11-6:	EEPROM Memory Bus Timing Data.....	65
Figure 12-1:	Calibrated Internal RC Frequency Range vs. Temperature (VDD = 5.0V) (internal RC is calibrated to 25°C, 5.0V) ....	69
Figure 12-2:	Calibrated Internal RC Frequency Range vs. Temperature (VDD = 3.0V) (internal RC is calibrated to 25°C, 5.0V) ....	69
Figure 12-3:	Internal RC Frequency vs. calibration value (VDD = 5.5V) .....	70
Figure 12-4:	Internal RC Frequency vs. calibration value (VDD = 3.0V) .....	70
Figure 12-5:	WDT Timer Time-out Period vs. VDD .....	71
Figure 12-6:	Short DRT period vs. vDD .....	71
Figure 12-7:	IOH vs. VOH, VDD = 3.5 V .....	72
Figure 12-8:	IOH vs. VOH, VDD = 5.5 V .....	72
Figure 12-9:	IOL vs. VOL, VDD = 3.5 V .....	72
Figure 12-10:	IOL vs. VOL, VDD = 5.5 V .....	72

## LIST OF TABLES

Table 1-1:	PIC12CXXX Family of Devices.....	4
Table 3-1:	PIC12CE5XX Pinout description.....	9
Table 4-1:	Special Function Register (SFR) Summary.....	13
Table 5-1:	Summary of Port Registers.....	19
Table 7-1:	Registers Associated With Timer0 .....	26
Table 8-1:	Capacitor Selection for Ceramic Resonators - PIC12CE5XX.....	30
Table 8-2:	Capacitor Selection for Crystal Oscillator - PIC12CE5XX.....	30
Table 8-3:	Reset Conditions for Registers .....	33
Table 8-4:	Reset Condition for Special Registers .....	33
Table 8-5:	DRT (Device Reset Timer Period) .....	36
Table 8-6:	Summary of Registers Associated with the Watchdog Timer .....	37
Table 8-7:	TO/PD/GPWUF Status After Reset.....	38
Table 8-8:	Events Affecting TO/PD Status Bits .....	38
Table 9-1:	OPCODE Field Descriptions.....	41
Table 9-2:	Instruction Set Summary .....	42
Table 10-1:	Development Tools From Microchip .....	56
Table 11-1:	External Clock Timing Requirements - PIC12CE5XX .....	62
Table 11-2:	Timing Requirements - PIC12CE5XX .....	63
Table 11-3:	Reset, Watchdog Timer, and Device Reset Timer - PIC12CE5XX .....	64
Table 11-4:	DRT (Device Reset Timer Period) Time Out .....	64
Table 11-5:	Timer0 Clock Requirements - PIC12CE5XX .....	65
Table 11-6:	EEPROM Memory Bus Timing Requirements.....	66
Table 11-7:	Pull-up Resistor Ranges .....	67
Table 12-1:	Dynamic IDD (typical) - wdt enabled, 25°C .....	70

## ON-LINE SUPPORT

Microchip provides two methods of on-line support. These are the Microchip BBS and the Microchip World Wide Web (WWW) site.

Use Microchip's Bulletin Board Service (BBS) to get current information and help about Microchip products. Microchip provides the BBS communication channel for you to use in extending your technical staff with microcontroller and memory experts.

To provide you with the most responsive service possible, the Microchip systems team monitors the BBS, posts the latest component data and software tool updates, provides technical help and embedded systems insights, and discusses how Microchip products provide project solutions.

The web site, like the BBS, is used by Microchip as a means to make files and information easily available to customers. To view the site, the user must have access to the Internet and a web browser, such as Netscape or Microsoft Explorer. Files are also available for FTP download from our FTP site.

### Connecting to the Microchip Internet Web Site

The Microchip web site is available by using your favorite Internet browser to attach to:

**[www.microchip.com](http://www.microchip.com)**

The file transfer site is available by using an FTP service to connect to:

**[ftp.mchip.com/biz/mchip](ftp://mchip.com/biz/mchip)**

The web site and file transfer site provide a variety of services. Users may download files for the latest Development Tools, Data Sheets, Application Notes, User's Guides, Articles and Sample Programs. A variety of Microchip specific business information is also available, including listings of Microchip sales offices, distributors and factory representatives. Other data available for consideration is:

- Latest Microchip Press Releases
- Technical Support Section with Frequently Asked Questions
- Design Tips
- Device Errata
- Job Postings
- Microchip Consultant Program Member Listing
- Links to other useful web sites related to Microchip Products

### Connecting to the Microchip BBS

Connect worldwide to the Microchip BBS using either the Internet or the CompuServe® communications network.

#### Internet:

You can telnet or ftp to the Microchip BBS at the address:

**[mchipbbs.microchip.com](telnet://mchipbbs.microchip.com)**

#### CompuServe Communications Network:

When using the BBS via the CompuServe Network, in most cases, a local call is your only expense. The Microchip BBS connection does not use CompuServe membership services, therefore you do not need CompuServe membership to join Microchip's BBS. There is no charge for connecting to the Microchip BBS.

The procedure to connect will vary slightly from country to country. Please check with your local CompuServe agent for details if you have a problem. CompuServe service allow multiple users various baud rates depending on the local point of access.

The following connect procedure applies in most locations.

1. Set your modem to 8-bit, No parity, and One stop (8N1). This is not the normal CompuServe setting which is 7E1.
2. Dial your local CompuServe access number.
3. Depress the <Enter> key and a garbage string will appear because CompuServe is expecting a 7E1 setting.
4. Type +, depress the <Enter> key and "Host Name:" will appear.
5. Type MCHIPBBS, depress the <Enter> key and you will be connected to the Microchip BBS.

In the United States, to find the CompuServe phone number closest to you, set your modem to 7E1 and dial (800) 848-4480 for 300-2400 baud or (800) 331-7166 for 9600-14400 baud connection. After the system responds with "Host Name:", type NETWORK, depress the <Enter> key and follow CompuServe's directions.

For voice information (or calling from overseas), you may call (614) 723-1550 for your local CompuServe number.

Microchip regularly uses the Microchip BBS to distribute technical information, application notes, source code, errata sheets, bug reports, and interim patches for Microchip systems software products. For each SIG, a moderator monitors, scans, and approves or disapproves files submitted to the SIG. No executable files are accepted from the user community in general to limit the spread of computer viruses.

### Systems Information and Upgrade Hot Line

The Systems Information and Upgrade Line provides system users a listing of the latest versions of all of Microchip's development systems software products. Plus, this line provides information on how customers can receive any currently available upgrade kits. The Hot Line Numbers are:

1-800-755-2345 for U.S. and most of Canada, and

1-602-786-7302 for the rest of the world.

**Trademarks:** The Microchip name, logo, PIC, PICSTART, PICMASTER, PRO MATE and are registered trademarks of Microchip Technology Incorporated in the U.S.A. and other countries. PICmicro, FlexROM, MPLAB, and fuzzyLAB, are trademarks and SQTP is a service mark of Microchip in the U.S.A.

fuzzyTECH is a registered trademark of Inform Software Corporation. IBM, IBM PC-AT are registered trademarks of International Business Machines Corp. Pentium is a trademark of Intel Corporation. Windows is a trademark and MS-DOS, Microsoft Windows are registered trademarks of Microsoft Corporation. CompuServe is a registered trademark of CompuServe Incorporated.

All other trademarks mentioned herein are the property of their respective companies.

# PIC12CE5XX

---

---

## READER RESPONSE

It is our intention to provide you with the best documentation possible to ensure successful use of your Microchip product. If you wish to provide your comments on organization, clarity, subject matter, and ways in which our documentation can better serve you, please FAX your comments to the Technical Publications Manager at (602) 786-7578.

Please list the following information, and use this outline to provide us with your comments about this Data Sheet.

To: Technical Publications Manager  
RE: Reader Response  
From: Name \_\_\_\_\_  
Company \_\_\_\_\_  
Address \_\_\_\_\_  
City / State / ZIP / Country \_\_\_\_\_  
Telephone: (\_\_\_\_\_) \_\_\_\_\_ - \_\_\_\_\_ FAX: (\_\_\_\_\_) \_\_\_\_\_ - \_\_\_\_\_

Application (optional):

Would you like a reply? \_\_\_Y \_\_\_N

Device: **PIC12CE5XX** Literature Number: **DS40172A**

Questions:

1. What are the best features of this document?

---

---

2. How does this document meet your hardware and software development needs?

---

---

3. Do you find the organization of this data sheet easy to follow? If not, why?

---

---

4. What additions to the data sheet do you think would enhance the structure and subject?

---

---

5. What deletions from the data sheet could be made without affecting the overall usefulness?

---

---

6. Is there any incorrect or misleading information (what and where)?

---

---

7. How would you improve this document?

---

---

8. How would you improve our software, systems, and silicon products?

---

---

## PIC12CE5XX Product Identification System

PART NO.	-XX	X	/XX	XXX		Examples
					<b>Pattern:</b>	Special Requirements
					<b>Package:</b>	SM = 208 mil SOIC P = 300 mil PDIP JW = 300 mil Windowed Cerdip
					<b>Temperature Range:</b>	- = 0°C to +70°C I = -40°C to +85°C E = -40°C to +125°C
					<b>Frequency Range:</b>	04 = 4 MHz
					<b>Device</b>	PIC12CE518 PIC12CE519 PIC12CE518T (Tape & reel for SOIC only) PIC12CE519T (Tape & reel for SOIC only)
						a) PIC12CE518-04/P Commercial Temp., PDIP Package, 4 MHz, normal V <sub>DD</sub> limits b) PIC12CE518-04I/SM Industrial Temp., SOIC package, 4 MHz, normal V <sub>DD</sub> limits c) PIC12CE519-04I/P Industrial Temp., PDIP package, 4 MHz, normal V <sub>DD</sub> limits

Please contact your local sales office for exact ordering procedures.

### Sales and Support

Products supported by a preliminary Data Sheet may possibly have an errata sheet describing minor operational differences and recommended workarounds. To determine if an errata sheet exists for a particular device, please contact one of the following:

1. Your local Microchip sales office (see below)
2. The Microchip Corporate Literature Center U.S. FAX: (602) 786-7277
3. The Microchip's Bulletin Board, via your local CompuServe number (CompuServe membership NOT required).

Please specify which device, revision of silicon and Data Sheet (include Literature #) you are using.

For latest version information and upgrade kits for Microchip Development Tools, please call 1-800-755-2345 or 1-602-786-7302.



**MICROCHIP**

# WORLDWIDE SALES & SERVICE

## AMERICAS

### Corporate Office

Microchip Technology Inc.  
2355 West Chandler Blvd.  
Chandler, AZ 85224-6199  
Tel: 602-786-7200 Fax: 602-786-7277  
Technical Support: 602 786-7627  
Web: <http://www.microchip.com>

### Atlanta

Microchip Technology Inc.  
500 Sugar Mill Road, Suite 200B  
Atlanta, GA 30350  
Tel: 770-640-0034 Fax: 770-640-0307

### Boston

Microchip Technology Inc.  
5 Mount Royal Avenue  
Marlborough, MA 01752  
Tel: 508-480-9990 Fax: 508-480-8575

### Chicago

Microchip Technology Inc.  
333 Pierce Road, Suite 180  
Itasca, IL 60143  
Tel: 630-285-0071 Fax: 630-285-0075

### Dallas

Microchip Technology Inc.  
14651 Dallas Parkway, Suite 816  
Dallas, TX 75240-8809  
Tel: 972-991-7177 Fax: 972-991-8588

### Dayton

Microchip Technology Inc.  
Two Prestige Place, Suite 150  
Miamisburg, OH 45342  
Tel: 937-291-1654 Fax: 937-291-9175

### Los Angeles

Microchip Technology Inc.  
18201 Von Karman, Suite 1090  
Irvine, CA 92612  
Tel: 714-263-1888 Fax: 714-263-1338

### New York

Microchip Technology Inc.  
150 Motor Parkway, Suite 416  
Hauppauge, NY 11788  
Tel: 516-273-5305 Fax: 516-273-5335

### San Jose

Microchip Technology Inc.  
2107 North First Street, Suite 590  
San Jose, CA 95131  
Tel: 408-436-7950 Fax: 408-436-7955

### Toronto

Microchip Technology Inc.  
5925 Airport Road, Suite 200  
Mississauga, Ontario L4V 1W1, Canada  
Tel: 905-405-6279 Fax: 905-405-6253

## ASIA/PACIFIC

### Hong Kong

Microchip Asia Pacific  
RM 3801B, Tower Two  
Metroplaza  
223 Hing Fong Road  
Kwai Fong, N.T., Hong Kong  
Tel: 852-2-401-1200 Fax: 852-2-401-3431

### India

Microchip Technology Inc.  
India Liaison Office  
No. 6, Legacy, Convent Road  
Bangalore 560 025, India  
Tel: 91-80-229-0061 Fax: 91-80-559-9840

### Korea

Microchip Technology Korea  
168-1, Youngbo Bldg. 3 Floor  
Samsung-Dong, Kangnam-Ku  
Seoul, Korea  
Tel: 82-2-554-7200 Fax: 82-2-558-5934

### Shanghai

Microchip Technology  
RM 406 Shanghai Golden Bridge Bldg.  
2077 Yan'an Road West, Hong Qiao District  
Shanghai, PRC 200335  
Tel: 86-21-6275-5700  
Fax: 86 21-6275-5060

### Singapore

Microchip Technology Taiwan  
Singapore Branch  
200 Middle Road  
#07-02 Prime Centre  
Singapore 188980  
Tel: 65-334-8870 Fax: 65-334-8850

### Taiwan, R.O.C

Microchip Technology Taiwan  
10F-1C 207  
Tung Hua North Road  
Taipei, Taiwan, ROC  
Tel: 886 2-717-7175 Fax: 886-2-545-0139

## EUROPE

### United Kingdom

Arizona Microchip Technology Ltd.  
Unit 6, The Courtyard  
Meadow Bank, Furlong Road  
Bourne End, Buckinghamshire SL8 5AJ  
Tel: 44-1628-851077 Fax: 44-1628-850259

### France

Arizona Microchip Technology SARL  
Zone Industrielle de la Bonde  
2 Rue du Buisson aux Fraises  
91300 Massy, France  
Tel: 33-1-69-53-63-20 Fax: 33-1-69-30-90-79

### Germany

Arizona Microchip Technology GmbH  
Gustav-Heinemann-Ring 125  
D-81739 München, Germany  
Tel: 49-89-627-144 0 Fax: 49-89-627-144-44

### Italy

Arizona Microchip Technology SRL  
Centro Direzionale Colleoni  
Palazzo Taurus 1 V. Le Colleoni 1  
20041 Agrate Brianza  
Milan, Italy  
Tel: 39-39-6899939 Fax: 39-39-6899883

## JAPAN

Microchip Technology Intl. Inc.  
Benex S-1 6F  
3-18-20, Shinyokohama  
Kohoku-Ku, Yokohama-shi  
Kanagawa 222 Japan  
Tel: 81-45-471- 6166 Fax: 81-45-471-6122

8/29/97



All rights reserved. © 1997, Microchip Technology Incorporated, USA. 10/97 Printed on recycled paper.

Information contained in this publication regarding device applications and the like is intended for suggestion only and may be superseded by updates. No representation or warranty is given and no liability is assumed by Microchip Technology Incorporated with respect to the accuracy or use of such information, or infringement of patents or other intellectual property rights arising from such use or otherwise. Use of Microchip's products as critical components in life support systems is not authorized except with express written approval by Microchip. No licenses are conveyed, implicitly or otherwise, under any intellectual property rights. The Microchip logo and name are registered trademarks of Microchip Technology Inc. in the U.S.A. and other countries. All rights reserved. All other trademarks mentioned herein are the property of their respective companies.