

NCP170

Ultra-Low I_Q 150 mA CMOS LDO Regulator

The NCP170 series of CMOS low dropout regulators are designed specifically for portable battery-powered applications which require ultra-low quiescent current. The ultra-low consumption of typ. 500 nA ensures long battery life and dynamic transient boost feature improves device transient response for wireless communication applications. The device is available in small 1 × 1 mm XDFN4, SOT-563 and TSOP-5 packages.

Features

- Operating Input Voltage Range: 2.2 V to 5.5 V
- Output Voltage Range: 1.2 V to 3.6 V (0.1 V Steps)
- Ultra-Low Quiescent Current Typ. 0.5 μ A
- Low Dropout: 170 mV Typ. at 150 mA
- High Output Voltage Accuracy \pm 1%
- Stable with Ceramic Capacitors 1 μ F
- Over-Current Protection
- Thermal Shutdown Protection
- NCP170A for Active Discharge Option
- Available in Small 1 × 1 mm XDFN4, SOT-563 and TSOP-5 Packages
- These Devices are Pb-Free, Halogen Free/BFR Free and are RoHS Compliant

Typical Applications

- Battery Powered Equipments
- Portable Communication Equipments
- Cameras, Image Sensors and Camcorders

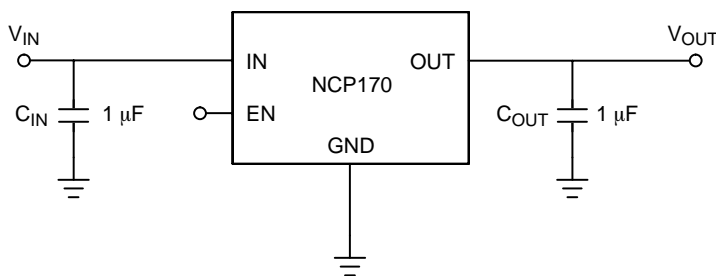


Figure 1. Typical Application Schematic

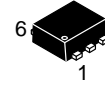


ON Semiconductor®

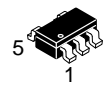
www.onsemi.com



XDFN4
MX SUFFIX
CASE 711AJ



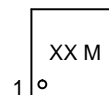
SOT-563
XV SUFFIX
CASE 463A



TSOP-5
SN SUFFIX
CASE 483

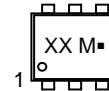
MARKING DIAGRAMS

XDFN4



XX = Specific Device Code
M = Date Code

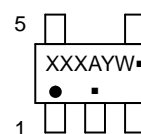
SOT-563



XX = Specific Device Code
M = Month Code
▪ = Pb-Free Package

*Pb-Free indicator, "G" or microdot "▪", may or may not be present.

TSOP-5



XXX = Specific Device Code
A = Assembly Location
Y = Year
W = Work Week
▪ = Pb-Free Package

(Note: Microdot may be in either location)

ORDERING INFORMATION

See detailed ordering, marking and shipping information on page 19 of this data sheet.

NCP170

PIN FUNCTION DESCRIPTION

| Pin No. XDFN4 | Pin No. SOT-563 | Pin No. TSOP-5 | Pin Name | Description |
|---------------|-----------------|----------------|----------|------------------------------|
| 4 | 1 | 1 | IN | Power Supply Input Voltage |
| 2 | 2 | 2 | GND | Power Supply Ground |
| 3 | 6 | 3 | EN | Chip Enable Pin (Active "H") |
| 1 | 3 | 5 | OUT | Output Pin |
| EPAD | - | - | EPAD | Internally Connected to GND |
| - | 4 | 4 | NC | No Connect |
| - | 5 | - | GND | Power Supply Ground |

ABSOLUTE MAXIMUM RATINGS

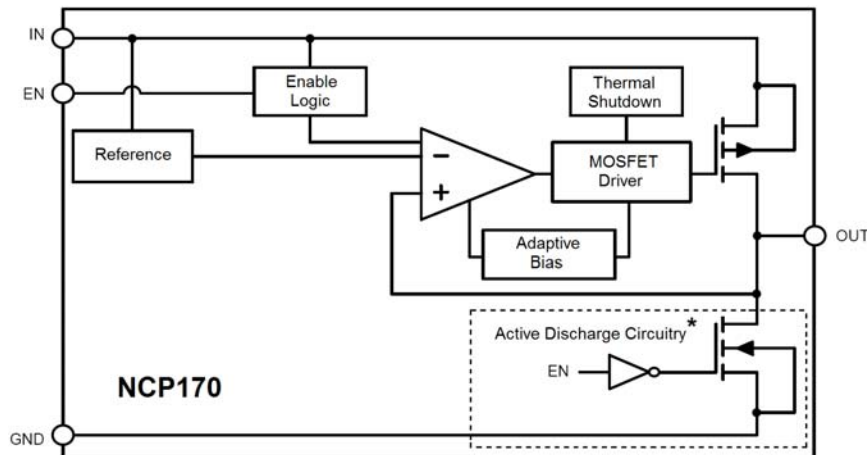
| Symbol | Rating | Value | Unit |
|--------------------|---|------------------------|------|
| V_{IN} | Input Voltage (Note 1) | 6.0 | V |
| V_{OUT} | Output Voltage | -0.3 to $V_{IN} + 0.3$ | V |
| V_{CE} | Chip Enable Input | -0.3 to 6.0 | V |
| $T_{J(MAX)}$ | Maximum Junction Temperature | 150 | °C |
| T_{STG} | Storage Temperature | -55 to 150 | °C |
| ESD _{HBM} | ESD Capability, Human Body Model (Note 2) | 2000 | V |
| ESD _{MM} | ESD Capability, Machine Model (Note 2) | 200 | V |

Stresses exceeding those listed in the Maximum Ratings table may damage the device. If any of these limits are exceeded, device functionality should not be assumed, damage may occur and reliability may be affected.

1. Refer to ELECTRICAL CHARACTERISTICS and APPLICATION INFORMATION for Safe Operating Area.
2. This device series incorporates ESD protection and is tested by the following methods:
 ESD Human Body Model tested per AEC-Q100-002 (EIA/JESD22-A114)
 ESD Machine Model tested per AEC-Q100-003 (EIA/JESD22-A115)
 Latchup Current Maximum Rating tested per JEDEC standard: JESD78

THERMAL CHARACTERISTICS

| Symbol | Rating | Value | Unit |
|-----------------|---|-------------------|------|
| $R_{\theta JA}$ | Thermal Characteristics, Thermal Resistance, Junction-to-Air XDFN4 1 × 1 mm SOT-563 TSOP-5 | 250 200 250 | °C/W |



* Active discharge feature is present only in NCP170AxxvvTyG devices.

Figure 2. Simplified Block Diagram

NCP170

ELECTRICAL CHARACTERISTICS – VOLTAGE VERSION 1.2 V

($-40^{\circ}\text{C} \leq T_J \leq 85^{\circ}\text{C}$; $V_{IN} = 2.5\text{ V}$; $I_{OUT} = 1\text{ mA}$, $C_{IN} = C_{OUT} = 1.0\text{ }\mu\text{F}$, unless otherwise noted. Typical values are at $T_A = +25^{\circ}\text{C}$.) (Note 3)

| Symbol | Parameter | Test Conditions | Min | Typ | Max | Unit |
|----------------------------|--|--|-------|------|-------|----------------------------|
| V_{IN} | Operating Input Voltage | | 2.2 | – | 5.5 | V |
| V_{OUT} | Output Voltage | $T_A = +25^{\circ}\text{C}$ | 1.188 | 1.2 | 1.212 | V |
| | | $-40^{\circ}\text{C} \leq T_J \leq 85^{\circ}\text{C}$ | 1.176 | 1.2 | 1.224 | |
| Line_{Reg} | Line Regulation | $2.5\text{ V} < V_{IN} \leq 5.5\text{ V}$, $I_{OUT} = 1\text{ mA}$ | – | 0.05 | 0.20 | %/V |
| Load_{Reg} | Load Regulation | $0\text{ mA} < I_{OUT} \leq 150\text{ mA}$, $V_{IN} = 2.5\text{ V}$ | –20 | 1 | 20 | mV |
| V_{DO} | Dropout Voltage | (Note 4) | – | – | – | mV |
| I_{OUT} | Output Current | (Note 5) | 150 | – | – | mA |
| I_{SC} | Short Circuit Current Limit | $V_{OUT} = 0\text{ V}$ | – | 225 | – | mA |
| I_Q | Quiescent Current | $I_{OUT} = 0\text{ mA}$ | – | 0.5 | 0.9 | μA |
| I_{STB} | Standby Current | $V_{EN} = 0\text{ V}$, $T_J = 25^{\circ}\text{C}$ | – | 0.1 | 0.5 | μA |
| V_{ENH} | EN Pin Threshold Voltage | EN Input Voltage “H” | 1.2 | – | – | V |
| V_{ENL} | EN Pin Threshold Voltage | EN Input Voltage “L” | – | – | 0.4 | V |
| I_{EN} | EN Pin Current | $V_{EN} \leq V_{IN} \leq 5.5\text{ V}$ (Note 6) | – | 10 | – | nA |
| PSRR | Power Supply Rejection Ratio | $f = 1\text{ kHz}$, $V_{IN} = 2.2\text{ V} + 200\text{ mVpp}$ Modulation $I_{OUT} = 150\text{ mA}$ $I_{OUT} = 10\text{ mA}$ | – | 57 | – | dB |
| | | | – | 63 | – | |
| V_{NOISE} | Output Noise Voltage | $V_{IN} = 5.5\text{ V}$, $I_{OUT} = 1\text{ mA}$, $f = 100\text{ Hz}$ to 1 MHz , $C_{OUT} = 1\text{ }\mu\text{F}$ | – | 85 | – | μV_{rms} |
| R_{LOW} | Active Output Discharge Resistance (A option only) | $V_{IN} = 5.5\text{ V}$, $V_{EN} = 0\text{ V}$ (Note 6) | – | 100 | – | Ω |
| T_{SD} | Thermal Shutdown Temperature | Temperature Increasing from $T_J = +25^{\circ}\text{C}$ (Note 6) | – | 175 | – | $^{\circ}\text{C}$ |
| T_{SDH} | Thermal Shutdown Hysteresis | Temperature Falling from T_{SD} (Note 6) | – | 25 | – | $^{\circ}\text{C}$ |

Product parametric performance is indicated in the Electrical Characteristics for the listed test conditions, unless otherwise noted. Product performance may not be indicated by the Electrical Characteristics if operated under different conditions.

- Performance guaranteed over the indicated operating temperature range by design and/or characterization production tested at $T_J = T_A = 25^{\circ}\text{C}$. Low duty cycle pulse techniques are used during testing to maintain the junction temperature as close to ambient as possible.
- Not Characterized at $V_{IN} = 2.2\text{ V}$, $V_{OUT} = 1.2\text{ V}$, $I_{OUT} = 150\text{ mA}$.
- Respect SOA.
- Guaranteed by design and characterization.

NCP170

ELECTRICAL CHARACTERISTICS – VOLTAGE VERSION 1.5 V

($-40^{\circ}\text{C} \leq T_J \leq 85^{\circ}\text{C}$; $V_{IN} = 2.5\text{ V}$; $I_{OUT} = 1\text{ mA}$, $C_{IN} = C_{OUT} = 1.0\text{ }\mu\text{F}$, unless otherwise noted. Typical values are at $T_A = +25^{\circ}\text{C}$.) (Note 7)

| Symbol | Parameter | Test Conditions | Min | Typ | Max | Unit |
|----------------------------|--|---|-------|------|-------|----------------------------|
| V_{IN} | Operating Input Voltage | | 2.2 | – | 5.5 | V |
| V_{OUT} | Output Voltage | $T_A = +25^{\circ}\text{C}$ | 1.485 | 1.5 | 1.515 | V |
| | | $-40^{\circ}\text{C} \leq T_J \leq 85^{\circ}\text{C}$ | 1.470 | 1.5 | 1.530 | |
| Line_{Reg} | Line Regulation | $4.3\text{ V} < V_{IN} \leq 5.5\text{ V}$, $I_{OUT} = 1\text{ mA}$ | – | 0.05 | 0.20 | %/V |
| Load_{Reg} | Load Regulation | $0\text{ mA} < I_{OUT} \leq 150\text{ mA}$, $V_{IN} = 4.3\text{ V}$ | –20 | – | 20 | mV |
| V_{DO} | Dropout Voltage | $I_{OUT} = 150\text{ mA}$ (Note 8) | – | – | – | mV |
| I_{OUT} | Output Current | (Note 9) | 150 | – | – | mA |
| I_{SC} | Short Circuit Current Limit | $V_{OUT} = 0\text{ V}$ | – | 225 | – | mA |
| I_Q | Quiescent Current | $I_{OUT} = 0\text{ mA}$ | – | 0.5 | 0.9 | μA |
| I_{STB} | Standby Current | $V_{EN} = 0\text{ V}$, $T_J = 25^{\circ}\text{C}$ | – | 0.1 | 0.5 | μA |
| V_{ENH} | EN Pin Threshold Voltage | EN Input Voltage “H” | 1.2 | – | – | V |
| V_{ENL} | EN Pin Threshold Voltage | EN Input Voltage “L” | – | – | 0.4 | V |
| I_{EN} | EN Pin Current | $V_{EN} \leq V_{IN} \leq 5.5\text{ V}$ (Note 10) | – | 10 | – | nA |
| PSRR | Power Supply Rejection Ratio | $f = 1\text{ kHz}$, $V_{IN} = 2.5\text{ V} + 200\text{ mVpp}$ Modulation $I_{OUT} = 150\text{ mA}$ | – | 57 | – | dB |
| V_{NOISE} | Output Noise Voltage | $V_{IN} = 5.5\text{ V}$, $I_{OUT} = 1\text{ mA}$, $f = 100\text{ Hz}$ to 1 MHz , $C_{OUT} = 1\text{ }\mu\text{F}$ | – | 90 | – | μV_{rms} |
| R_{LOW} | Active Output Discharge Resistance (A option only) | $V_{IN} = 5.5\text{ V}$, $V_{EN} = 0\text{ V}$ (Note 10) | – | 100 | – | Ω |
| T_{SD} | Thermal Shutdown Temperature | Temperature Increasing from $T_J = +25^{\circ}\text{C}$ (Note 10) | – | 175 | – | $^{\circ}\text{C}$ |
| T_{SDH} | Thermal Shutdown Hysteresis | Temperature Falling from T_{SD} (Note 10) | – | 25 | – | $^{\circ}\text{C}$ |

Product parametric performance is indicated in the Electrical Characteristics for the listed test conditions, unless otherwise noted. Product performance may not be indicated by the Electrical Characteristics if operated under different conditions.

7. Performance guaranteed over the indicated operating temperature range by design and/or characterization production tested at $T_J = T_A = 25^{\circ}\text{C}$. Low duty cycle pulse techniques are used during testing to maintain the junction temperature as close to ambient as possible.

8. Not Characterized at $V_{IN} = 2.2\text{ V}$, $V_{OUT} = 1.5\text{ V}$, $I_{OUT} = 150\text{ mA}$.

9. Respect SOA.

10. Guaranteed by design and characterization.

NCP170

ELECTRICAL CHARACTERISTICS – VOLTAGE VERSION 1.8 V

($-40^{\circ}\text{C} \leq T_J \leq 85^{\circ}\text{C}$; $V_{\text{IN}} = 2.8\text{ V}$; $I_{\text{OUT}} = 1\text{ mA}$, $C_{\text{IN}} = C_{\text{OUT}} = 1.0\text{ }\mu\text{F}$, unless otherwise noted. Typical values are at $T_A = +25^{\circ}\text{C}$.) (Note 11)

| Symbol | Parameter | Test Conditions | Min | Typ | Max | Unit |
|----------------------------|--|---|-------|------|-------|----------------------------|
| V_{IN} | Operating Input Voltage | | 2.2 | – | 5.5 | V |
| | | $I_{\text{OUT}} < 30\text{ mA}$ | 2.0 | – | 5.5 | |
| V_{OUT} | Output Voltage | $T_A = +25^{\circ}\text{C}$ | 1.782 | 1.8 | 1.818 | V |
| | | $-40^{\circ}\text{C} \leq T_J \leq 85^{\circ}\text{C}$ | 1.764 | 1.8 | 1.836 | |
| Line_{Reg} | Line Regulation | $2.8\text{ V} < V_{\text{IN}} \leq 5.5\text{ V}$, $I_{\text{OUT}} = 1\text{ mA}$ | – | 0.05 | 0.20 | %/V |
| Load_{Reg} | Load Regulation | $0\text{ mA} < I_{\text{OUT}} \leq 150\text{ mA}$, $V_{\text{IN}} = 2.8\text{ V}$ | –20 | 1 | 20 | mV |
| V_{DO} | Dropout Voltage | $I_{\text{OUT}} = 150\text{ mA}$ (Note 12) | – | 350 | 480 | mV |
| I_{OUT} | Output Current | (Note 13) | 150 | – | – | mA |
| I_{SC} | Short Circuit Current Limit | $V_{\text{OUT}} = 0\text{ V}$ | – | 225 | – | mA |
| I_{Q} | Quiescent Current | $I_{\text{OUT}} = 0\text{ mA}$ | – | 0.5 | 0.9 | μA |
| I_{STB} | Standby Current | $V_{\text{EN}} = 0\text{ V}$, $T_J = 25^{\circ}\text{C}$ | – | 0.1 | 0.5 | μA |
| V_{ENH} | EN Pin Threshold Voltage | EN Input Voltage “H” | 1.2 | – | – | V |
| V_{ENL} | EN Pin Threshold Voltage | EN Input Voltage “L” | – | – | 0.4 | V |
| I_{EN} | EN Pull Down Current | $V_{\text{EN}} \leq V_{\text{IN}} \leq 5.5\text{ V}$ (Note 14) | – | 10 | – | nA |
| PSRR | Power Supply Rejection Ratio | $f = 1\text{ kHz}$, $V_{\text{IN}} = 2.8\text{ V} + 200\text{ mVpp}$ Modulation $I_{\text{OUT}} = 150\text{ mA}$ | – | 57 | – | dB |
| V_{NOISE} | Output Noise Voltage | $V_{\text{IN}} = 5.5\text{ V}$, $I_{\text{OUT}} = 1\text{ mA}$ $f = 100\text{ Hz to } 1\text{ MHz}$, $C_{\text{OUT}} = 1\text{ }\mu\text{F}$ | – | 95 | – | μV_{rms} |
| R_{LOW} | Active Output Discharge Resistance (A option only) | $V_{\text{IN}} = 5.5\text{ V}$, $V_{\text{EN}} = 0\text{ V}$ (Note 14) | – | 100 | – | Ω |
| T_{SD} | Thermal Shutdown Temperature | Temperature Increasing from $T_J = +25^{\circ}\text{C}$ (Note 14) | – | 175 | – | $^{\circ}\text{C}$ |
| T_{SDH} | Thermal Shutdown Hysteresis | Temperature Falling from T_{SD} (Note 14) | – | 25 | – | $^{\circ}\text{C}$ |

Product parametric performance is indicated in the Electrical Characteristics for the listed test conditions, unless otherwise noted. Product performance may not be indicated by the Electrical Characteristics if operated under different conditions.

11. Performance guaranteed over the indicated operating temperature range by design and/or characterization production tested at

$T_J = T_A = 25^{\circ}\text{C}$. Low duty cycle pulse techniques are used during testing to maintain the junction temperature as close to ambient as possible.

12. Characterized when V_{OUT} falls 54 mV below the regulated voltage and only for devices with $V_{\text{OUT}} = 1.8\text{ V}$.

13. Respect SOA.

14. Guaranteed by design and characterization.

NCP170

ELECTRICAL CHARACTERISTICS – VOLTAGE VERSION 2.5 V

($-40^{\circ}\text{C} \leq T_J \leq 85^{\circ}\text{C}$; $V_{IN} = 3.5\text{ V}$; $I_{OUT} = 1\text{ mA}$, $C_{IN} = C_{OUT} = 1.0\text{ }\mu\text{F}$, unless otherwise noted. Typical values are at $T_A = +25^{\circ}\text{C}$.) (Note 15)

| Symbol | Parameter | Test Conditions | Min | Typ | Max | Unit |
|----------------------------|--|---|-------|------|-------|----------------------------|
| V_{IN} | Operating Input Voltage | | 2.2 | – | 5.5 | V |
| V_{OUT} | Output Voltage | $T_A = +25^{\circ}\text{C}$ | 2.475 | 2.5 | 2.525 | V |
| | | $-40^{\circ}\text{C} \leq T_J \leq 85^{\circ}\text{C}$ | 2.450 | 2.5 | 2.550 | |
| Line_{Reg} | Line Regulation | $3.5\text{ V} < V_{IN} \leq 5.5\text{ V}$, $I_{OUT} = 1\text{ mA}$ | – | 0.05 | 0.20 | %/V |
| Load_{Reg} | Load Regulation | $0\text{ mA} < I_{OUT} \leq 150\text{ mA}$, $V_{IN} = 3.5\text{ V}$ | –20 | 1 | 20 | mV |
| V_{DO} | Dropout Voltage | $I_{OUT} = 150\text{ mA}$ (Note 16) | – | 240 | 330 | mV |
| I_{OUT} | Output Current | (Note 17) | 150 | – | – | mA |
| I_{SC} | Short Circuit Current Limit | $V_{OUT} = 0\text{ V}$ | – | 225 | – | mA |
| I_Q | Quiescent Current | $I_{OUT} = 0\text{ mA}$ | – | 0.5 | 0.9 | μA |
| I_{STB} | Standby Current | $V_{EN} = 0\text{ V}$, $T_J = 25^{\circ}\text{C}$ | – | 0.1 | 0.5 | μA |
| V_{ENH} | EN Pin Threshold Voltage | EN Input Voltage “H” | 1.2 | – | – | V |
| V_{ENL} | EN Pin Threshold Voltage | EN Input Voltage “L” | – | – | 0.4 | V |
| I_{EN} | EN Pull Down Current | $V_{EN} \leq V_{IN} \leq 5.5\text{ V}$ (Note 18) | – | 10 | – | nA |
| PSRR | Power Supply Rejection Ratio | $f = 1\text{ kHz}$, $V_{IN} = 3.5\text{ V} + 200\text{ mVpp}$ Modulation $I_{OUT} = 150\text{ mA}$ | – | 57 | – | dB |
| V_{NOISE} | Output Noise Voltage | $V_{IN} = 5.5\text{ V}$, $I_{OUT} = 1\text{ mA}$ $f = 100\text{ Hz}$ to 1 MHz , $C_{OUT} = 1\text{ }\mu\text{F}$ | – | 125 | – | μV_{rms} |
| R_{LOW} | Active Output Discharge Resistance (A option only) | $V_{IN} = 5.5\text{ V}$, $V_{EN} = 0\text{ V}$ (Note 18) | – | 100 | – | Ω |
| T_{SD} | Thermal Shutdown Temperature | Temperature Increasing from $T_J = +25^{\circ}\text{C}$ (Note 18) | – | 175 | – | $^{\circ}\text{C}$ |
| T_{SDH} | Thermal Shutdown Hysteresis | Temperature Falling from T_{SD} (Note 18) | – | 25 | – | $^{\circ}\text{C}$ |

Product parametric performance is indicated in the Electrical Characteristics for the listed test conditions, unless otherwise noted. Product performance may not be indicated by the Electrical Characteristics if operated under different conditions.

15. Performance guaranteed over the indicated operating temperature range by design and/or characterization production tested at

$T_J = T_A = 25^{\circ}\text{C}$. Low duty cycle pulse techniques are used during testing to maintain the junction temperature as close to ambient as possible.

16. Characterized when V_{OUT} falls 75 mV below the regulated voltage and only for devices with $V_{OUT} = 2.5\text{ V}$.

17. Respect SOA.

18. Guaranteed by design and characterization.

NCP170

ELECTRICAL CHARACTERISTICS – VOLTAGE VERSION 2.8 V

($-40^{\circ}\text{C} \leq T_J \leq 85^{\circ}\text{C}$; $V_{IN} = 3.8\text{ V}$; $I_{OUT} = 1\text{ mA}$, $C_{IN} = C_{OUT} = 1.0\text{ }\mu\text{F}$, unless otherwise noted. Typical values are at $T_A = +25^{\circ}\text{C}$.) (Note 19)

| Symbol | Parameter | Test Conditions | Min | Typ | Max | Unit |
|----------------------------|--|---|-------|------|-------|----------------------------|
| V_{IN} | Operating Input Voltage | | 2.2 | – | 5.5 | V |
| V_{OUT} | Output Voltage | $T_A = +25^{\circ}\text{C}$ | 2.772 | 2.8 | 2.828 | V |
| | | $-40^{\circ}\text{C} \leq T_J \leq 85^{\circ}\text{C}$ | 2.744 | 2.8 | 2.856 | |
| Line_{Reg} | Line Regulation | $3.8\text{ V} < V_{IN} \leq 5.5\text{ V}$, $I_{OUT} = 1\text{ mA}$ | – | 0.05 | 0.20 | %/V |
| Load_{Reg} | Load Regulation | $0\text{ mA} < I_{OUT} \leq 150\text{ mA}$, $V_{IN} = 3.8\text{ V}$ | –20 | 1 | 20 | mV |
| V_{DO} | Dropout Voltage | $I_{OUT} = 150\text{ mA}$ (Note 20) | – | 210 | 300 | mV |
| I_{OUT} | Output Current | (Note 21) | 150 | – | – | mA |
| I_{SC} | Short Circuit Current Limit | $V_{OUT} = 0\text{ V}$ | – | 195 | – | mA |
| I_Q | Quiescent Current | $I_{OUT} = 0\text{ mA}$ | – | 0.5 | 0.9 | μA |
| I_{STB} | Standby Current | $V_{EN} = 0\text{ V}$, $T_J = 25^{\circ}\text{C}$ | – | 0.1 | 0.5 | μA |
| V_{ENH} | EN Pin Threshold Voltage | EN Input Voltage “H” | 1.2 | – | – | V |
| V_{ENL} | EN Pin Threshold Voltage | EN Input Voltage “L” | – | – | 0.4 | V |
| I_{EN} | EN Pull Down Current | $V_{EN} \leq V_{IN} \leq 5.5\text{ V}$ (Note 22) | – | 10 | – | nA |
| PSRR | Power Supply Rejection Ratio | $f = 1\text{ kHz}$, $V_{IN} = 3.8\text{ V} + 200\text{ mVpp}$ Modulation $I_{OUT} = 150\text{ mA}$ | – | 40 | – | dB |
| V_{NOISE} | Output Noise Voltage | $V_{IN} = 5.5\text{ V}$, $I_{OUT} = 1\text{ mA}$ $f = 100\text{ Hz}$ to 1 MHz , $C_{OUT} = 1\text{ }\mu\text{F}$ | – | 125 | – | μV_{rms} |
| R_{LOW} | Active Output Discharge Resistance (A option only) | $V_{IN} = 5.5\text{ V}$, $V_{EN} = 0\text{ V}$ (Note 22) | – | 100 | – | Ω |
| T_{SD} | Thermal Shutdown Temperature | Temperature Increasing from $T_J = +25^{\circ}\text{C}$ (Note 22) | – | 175 | – | $^{\circ}\text{C}$ |
| T_{SDH} | Thermal Shutdown Hysteresis | Temperature Falling from T_{SD} (Note 22) | – | 25 | – | $^{\circ}\text{C}$ |

Product parametric performance is indicated in the Electrical Characteristics for the listed test conditions, unless otherwise noted. Product performance may not be indicated by the Electrical Characteristics if operated under different conditions.

19. Performance guaranteed over the indicated operating temperature range by design and/or characterization production tested at

$T_J = T_A = 25^{\circ}\text{C}$. Low duty cycle pulse techniques are used during testing to maintain the junction temperature as close to ambient as possible.

20. Characterized when V_{OUT} falls 84 mV below the regulated voltage and only for devices with $V_{OUT} = 2.8\text{ V}$.

21. Respect SOA.

22. Guaranteed by design and characterization.

NCP170

ELECTRICAL CHARACTERISTICS – VOLTAGE VERSION 3.0 V

($-40^{\circ}\text{C} \leq T_J \leq 85^{\circ}\text{C}$; $V_{IN} = 4.0\text{ V}$; $I_{OUT} = 1\text{ mA}$, $C_{IN} = C_{OUT} = 1.0\text{ }\mu\text{F}$, unless otherwise noted. Typical values are at $T_A = +25^{\circ}\text{C}$.) (Note 23)

| Symbol | Parameter | Test Conditions | Min | Typ | Max | Unit |
|----------------------------|--|---|------|------|------|----------------------------|
| V_{IN} | Operating Input Voltage | | 2.2 | – | 5.5 | V |
| V_{OUT} | Output Voltage | $T_A = +25^{\circ}\text{C}$ | 2.97 | 3.0 | 3.03 | V |
| | | $-40^{\circ}\text{C} \leq T_J \leq 85^{\circ}\text{C}$ | 2.94 | 3.0 | 3.06 | |
| Line_{Reg} | Line Regulation | $4.0\text{ V} < V_{IN} \leq 5.5\text{ V}$, $I_{OUT} = 1\text{ mA}$ | – | 0.05 | 0.20 | %/V |
| Load_{Reg} | Load Regulation | $0\text{ mA} < I_{OUT} \leq 150\text{ mA}$, $V_{IN} = 4\text{ V}$ | –20 | 1 | 20 | mV |
| V_{DO} | Dropout Voltage | $I_{OUT} = 150\text{ mA}$ (Note 24) | – | 190 | 260 | mV |
| I_{OUT} | Output Current | (Note 25) | 150 | – | – | mA |
| I_{SC} | Short Circuit Current Limit | $V_{OUT} = 0\text{ V}$ | – | 195 | – | mA |
| I_Q | Quiescent Current | $I_{OUT} = 0\text{ mA}$ | – | 0.5 | 0.9 | μA |
| I_{STB} | Standby Current | $V_{EN} = 0\text{ V}$, $T_J = 25^{\circ}\text{C}$ | – | 0.1 | 0.5 | μA |
| V_{ENH} | EN Pin Threshold Voltage | EN Input Voltage “H” | 1.2 | – | – | V |
| V_{ENL} | EN Pin Threshold Voltage | EN Input Voltage “L” | – | – | 0.4 | V |
| I_{EN} | EN Pull Down Current | $V_{EN} \leq V_{IN} \leq 5.5\text{ V}$ (Note 26) | – | 10 | – | nA |
| PSRR | Power Supply Rejection Ratio | $f = 1\text{ kHz}$, $V_{IN} = 4.0\text{ V} + 200\text{ mVpp}$ Modulation $I_{OUT} = 150\text{ mA}$ | – | 47 | – | dB |
| V_{NOISE} | Output Noise Voltage | $V_{IN} = 5.5\text{ V}$, $I_{OUT} = 1\text{ mA}$ $f = 100\text{ Hz}$ to 1 MHz , $C_{OUT} = 1\text{ }\mu\text{F}$ | – | 120 | – | μV_{rms} |
| R_{LOW} | Active Output Discharge Resistance (A option only) | $V_{IN} = 5.5\text{ V}$, $V_{EN} = 0\text{ V}$ (Note 26) | – | 100 | – | Ω |
| T_{SD} | Thermal Shutdown Temperature | Temperature Increasing from $T_J = +25^{\circ}\text{C}$ (Note 26) | – | 175 | – | $^{\circ}\text{C}$ |
| T_{SDH} | Thermal Shutdown Hysteresis | Temperature Falling from T_{SD} (Note 26) | – | 25 | – | $^{\circ}\text{C}$ |

Product parametric performance is indicated in the Electrical Characteristics for the listed test conditions, unless otherwise noted. Product performance may not be indicated by the Electrical Characteristics if operated under different conditions.

23. Performance guaranteed over the indicated operating temperature range by design and/or characterization production tested at

$T_J = T_A = 25^{\circ}\text{C}$. Low duty cycle pulse techniques are used during testing to maintain the junction temperature as close to ambient as possible.

24. Characterized when V_{OUT} falls 90 mV below the regulated voltage and only for devices with $V_{OUT} = 3.0\text{ V}$.

25. Respect SOA.

26. Guaranteed by design and characterization.

NCP170

ELECTRICAL CHARACTERISTICS – VOLTAGE VERSION 3.3 V

($-40^{\circ}\text{C} \leq T_J \leq 85^{\circ}\text{C}$; $V_{IN} = 4.3\text{ V}$; $I_{OUT} = 1\text{ mA}$, $C_{IN} = C_{OUT} = 1.0\ \mu\text{F}$, unless otherwise noted. Typical values are at $T_A = +25^{\circ}\text{C}$.) (Note 27)

| Symbol | Parameter | Test Conditions | Min | Typ | Max | Unit |
|----------------------------|--|---|-------|------|-------|----------------------------|
| V_{IN} | Operating Input Voltage | | 2.2 | – | 5.5 | V |
| V_{OUT} | Output Voltage | $T_A = +25^{\circ}\text{C}$ | 3.267 | 3.3 | 3.333 | V |
| | | $-40^{\circ}\text{C} \leq T_J \leq 85^{\circ}\text{C}$ | 3.234 | 3.3 | 3.366 | |
| Line_{Reg} | Line Regulation | $4.3\text{ V} < V_{IN} \leq 5.5\text{ V}$, $I_{OUT} = 1\text{ mA}$ | – | 0.05 | 0.20 | %/V |
| Load_{Reg} | Load Regulation | $0\text{ mA} < I_{OUT} \leq 150\text{ mA}$, $V_{IN} = 4.3\text{ V}$ | –20 | 1 | 20 | mV |
| V_{DO} | Dropout Voltage | $I_{OUT} = 150\text{ mA}$ (Note 28) | – | 180 | 250 | mV |
| I_{OUT} | Output Current | (Note 29) | 150 | – | – | mA |
| I_{SC} | Short Circuit Current Limit | $V_{OUT} = 0\text{ V}$ | – | 195 | – | mA |
| I_Q | Quiescent Current | $I_{OUT} = 0\text{ mA}$ | – | 0.5 | 0.9 | μA |
| I_{STB} | Standby Current | $V_{EN} = 0\text{ V}$, $T_J = 25^{\circ}\text{C}$ | – | 0.1 | 0.5 | μA |
| V_{ENH} | EN Pin Threshold Voltage | EN Input Voltage “H” | 1.2 | – | – | V |
| V_{ENL} | EN Pin Threshold Voltage | EN Input Voltage “L” | – | – | 0.4 | V |
| I_{EN} | EN Pull Down Current | $V_{EN} \leq V_{IN} \leq 5.5\text{ V}$ (Note 30) | – | 10 | – | nA |
| PSRR | Power Supply Rejection Ratio | $f = 1\text{ kHz}$, $V_{IN} = 4.3\text{ V} + 200\text{ mVpp}$ Modulation $I_{OUT} = 150\text{ mA}$ | – | 41 | – | dB |
| V_{NOISE} | Output Noise Voltage | $V_{IN} = 5.5\text{ V}$, $I_{OUT} = 1\text{ mA}$ $f = 100\text{ Hz}$ to 1 MHz , $C_{OUT} = 1\ \mu\text{F}$ | – | 125 | – | μV_{rms} |
| R_{LOW} | Active Output Discharge Resistance (A option only) | $V_{IN} = 5.5\text{ V}$, $V_{EN} = 0\text{ V}$ (Note 30) | – | 100 | – | Ω |
| T_{SD} | Thermal Shutdown Temperature | Temperature Increasing from $T_J = +25^{\circ}\text{C}$ (Note 30) | – | 175 | – | $^{\circ}\text{C}$ |
| T_{SDH} | Thermal Shutdown Hysteresis | Temperature Falling from T_{SD} (Note 30) | – | 25 | – | $^{\circ}\text{C}$ |

Product parametric performance is indicated in the Electrical Characteristics for the listed test conditions, unless otherwise noted. Product performance may not be indicated by the Electrical Characteristics if operated under different conditions.

27. Performance guaranteed over the indicated operating temperature range by design and/or characterization production tested at

$T_J = T_A = 25^{\circ}\text{C}$. Low duty cycle pulse techniques are used during testing to maintain the junction temperature as close to ambient as possible.

28. Characterized when V_{OUT} falls 99 mV below the regulated voltage and only for devices with $V_{OUT} = 3.3\text{ V}$.

29. Respect SOA.

30. Guaranteed by design and characterization.

TYPICAL CHARACTERISTICS

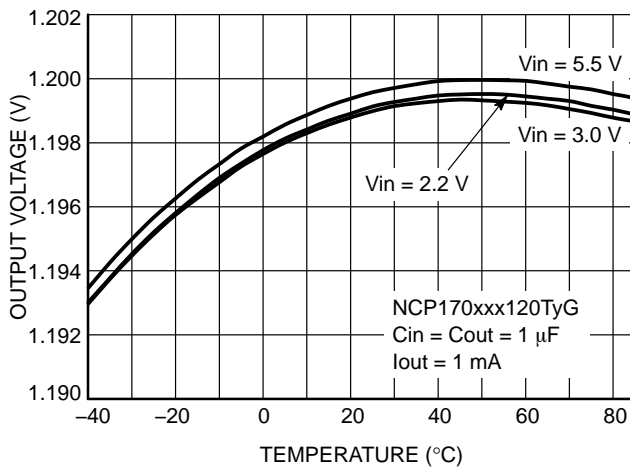


Figure 3. Output Voltage vs. Temperature,
 $V_{out} = 1.2\text{ V}$

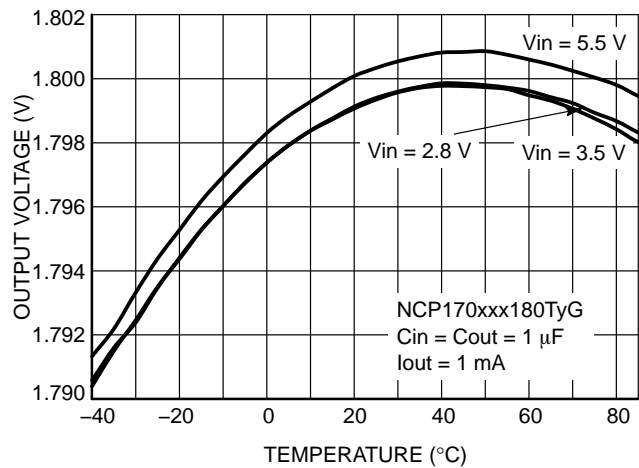


Figure 4. Output Voltage vs. Temperature,
 $V_{out} = 1.8\text{ V}$

NCP170

TYPICAL CHARACTERISTICS

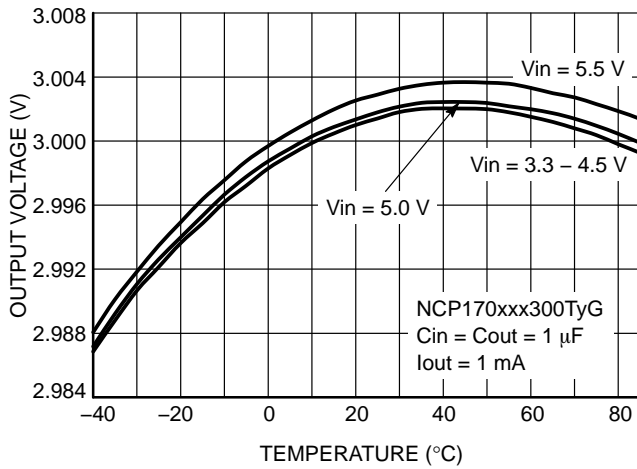


Figure 5. Output Voltage vs. Temperature, Vout = 3.0 V

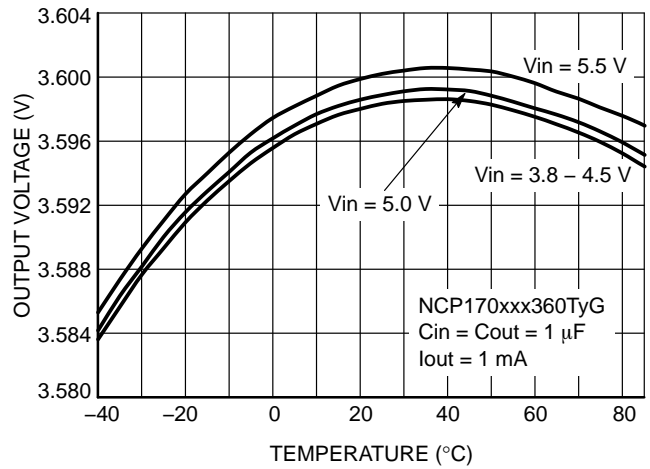


Figure 6. Output Voltage vs. Temperature, Vout = 3.6 V

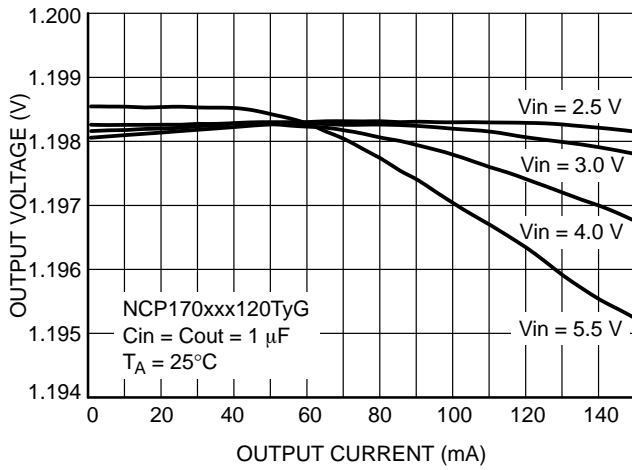


Figure 7. Output Voltage vs. Output Current, Vout = 1.2 V

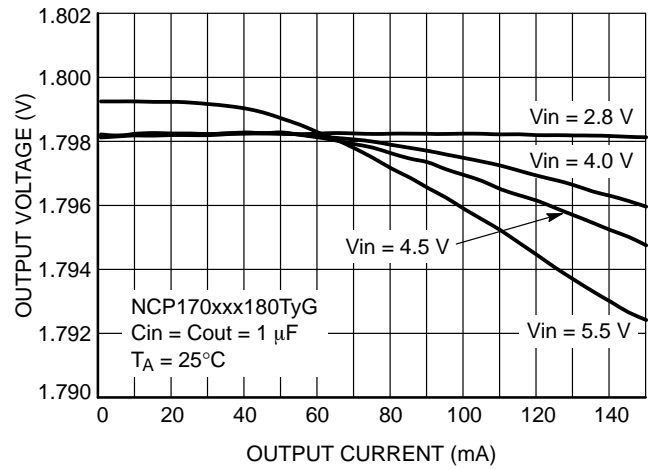


Figure 8. Output Voltage vs. Output Current, Vout = 1.8 V

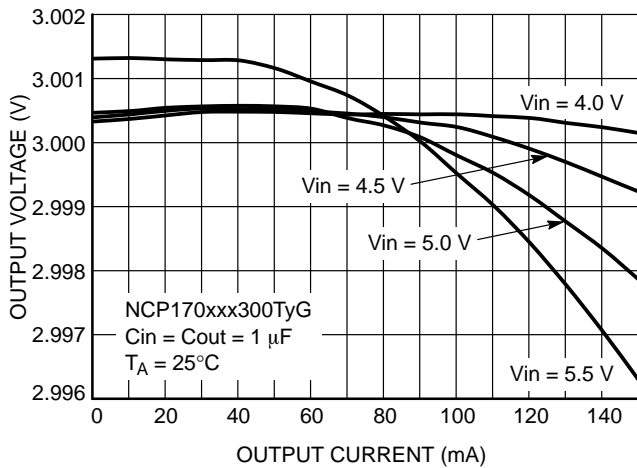


Figure 9. Output Voltage vs. Output Current, Vout = 3.0 V

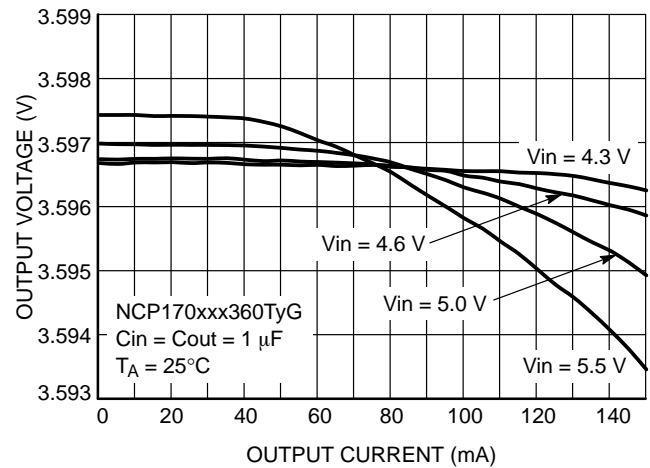


Figure 10. Output Voltage vs. Output Current, Vout = 3.6 V

NCP170

TYPICAL CHARACTERISTICS

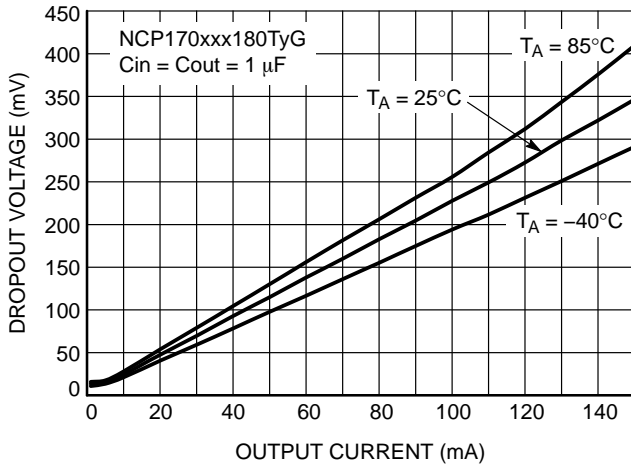


Figure 11. Dropout Voltage vs. Output Current, Vout = 1.8 V

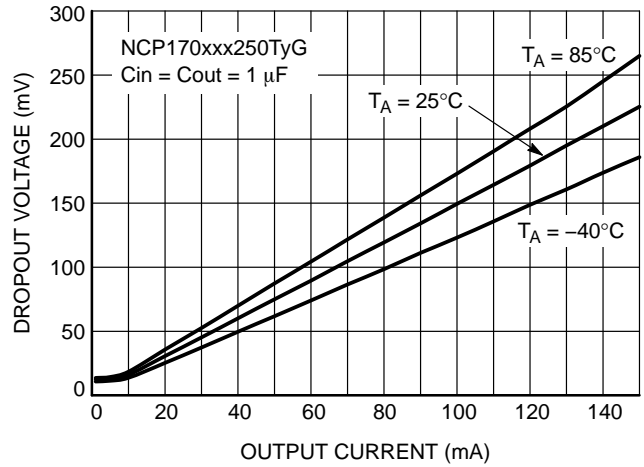


Figure 12. Dropout Voltage vs. Output Current, Vout = 2.5 V

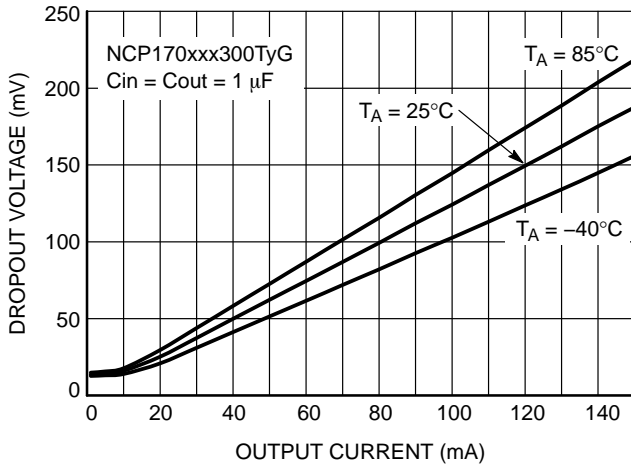


Figure 13. Dropout Voltage vs. Output Current, Vout = 3.0 V

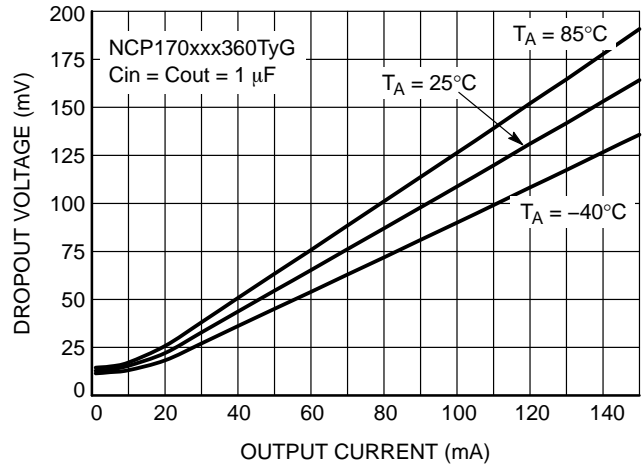


Figure 14. Dropout Voltage vs. Output Current, Vout = 3.6 V

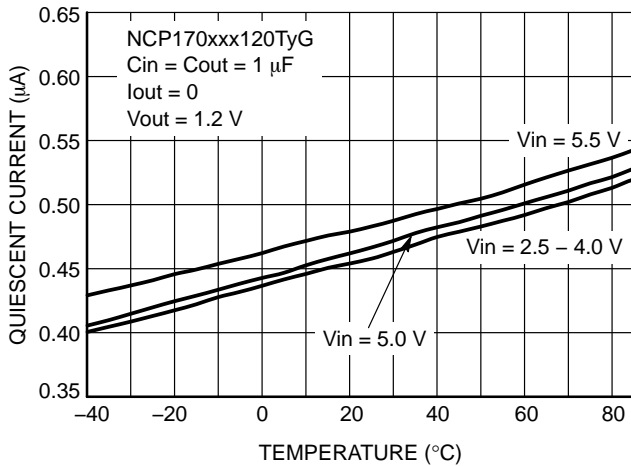


Figure 15. Quiescent Current vs. Temperature, Vout = 1.2 V

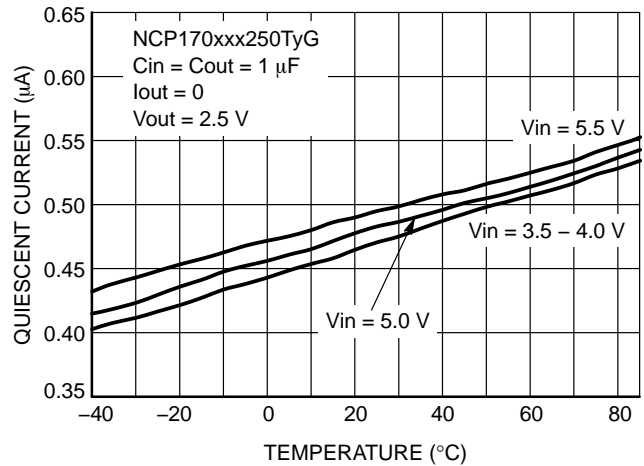


Figure 16. Quiescent Current vs. Temperature, Vout = 2.5 V

NCP170

TYPICAL CHARACTERISTICS

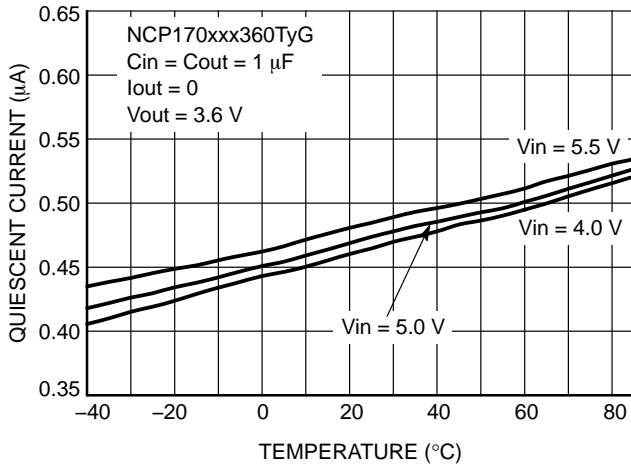


Figure 17. Quiescent Current vs. Temperature, Vout = 3.6 V

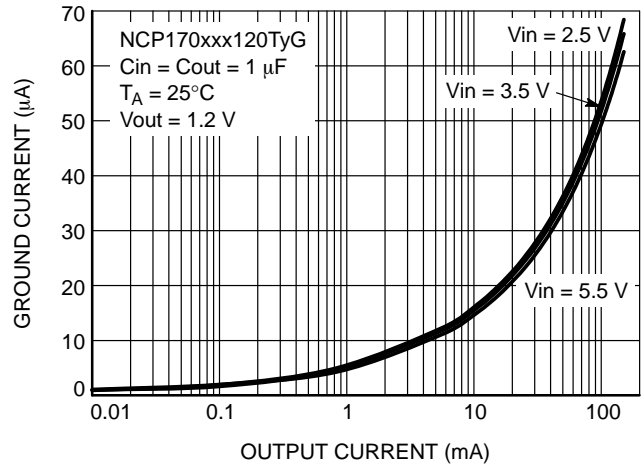


Figure 18. Ground Current vs. Output Current, Vout = 1.2 V

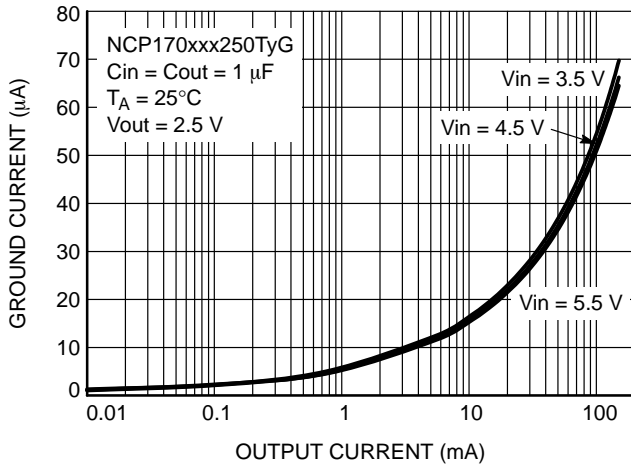


Figure 19. Ground Current vs. Output Current, Vout = 2.5 V

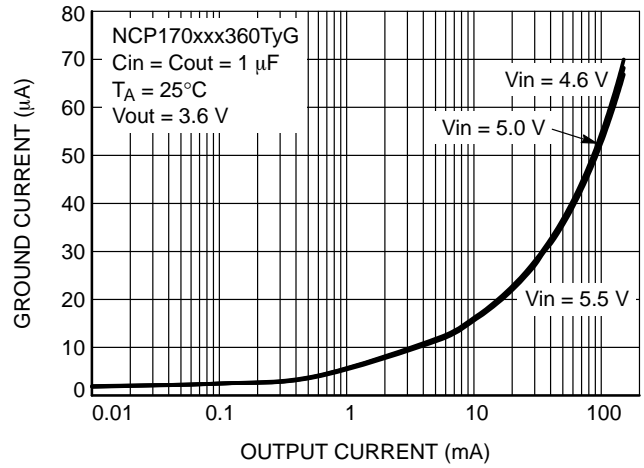


Figure 20. Ground Current vs. Output Current, Vout = 3.6 V

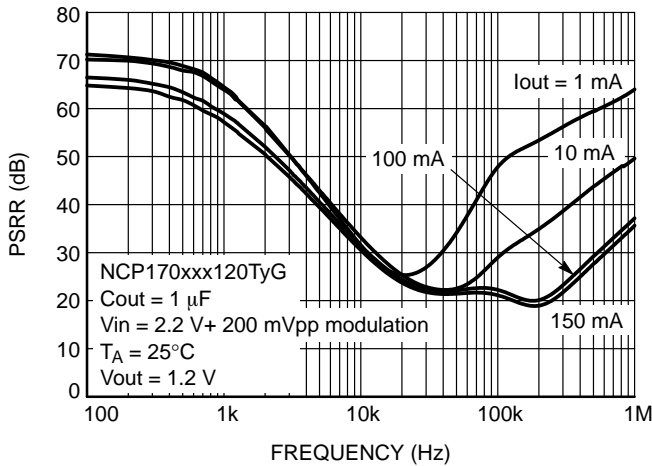


Figure 21. PSRR vs. Frequency, Vout = 1.2 V

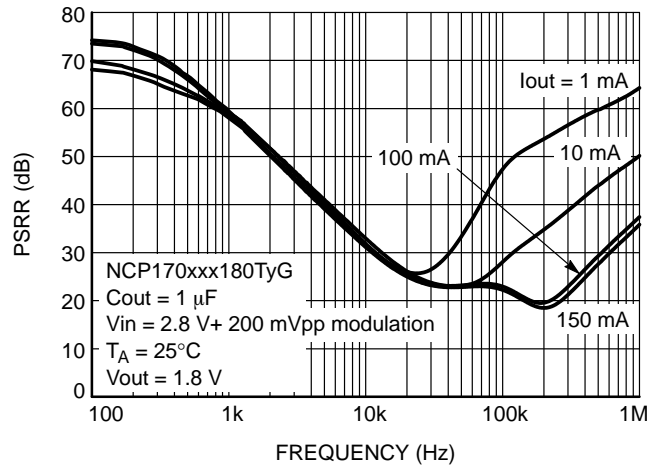


Figure 22. PSRR vs. Frequency, Vout = 1.8 V

NCP170

TYPICAL CHARACTERISTICS

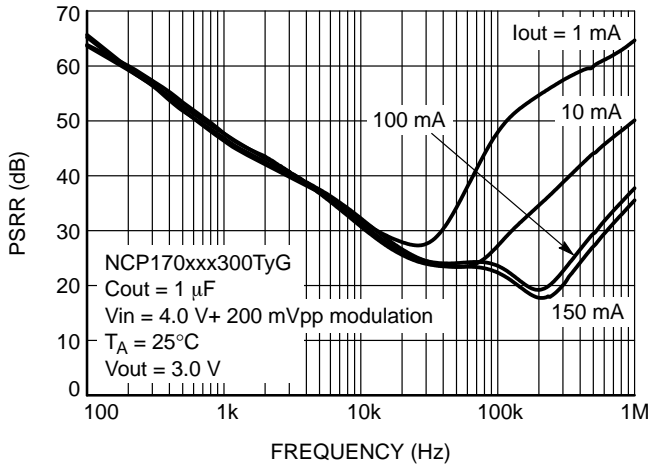


Figure 23. PSRR vs. Frequency, Vout = 3.0 V

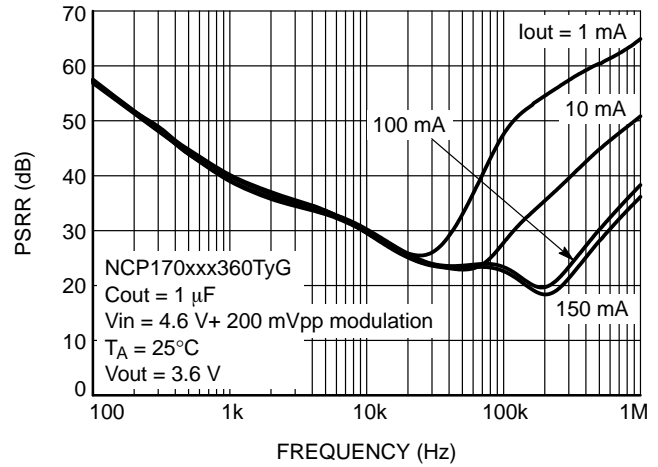


Figure 24. PSRR vs. Frequency, Vout = 3.6 V

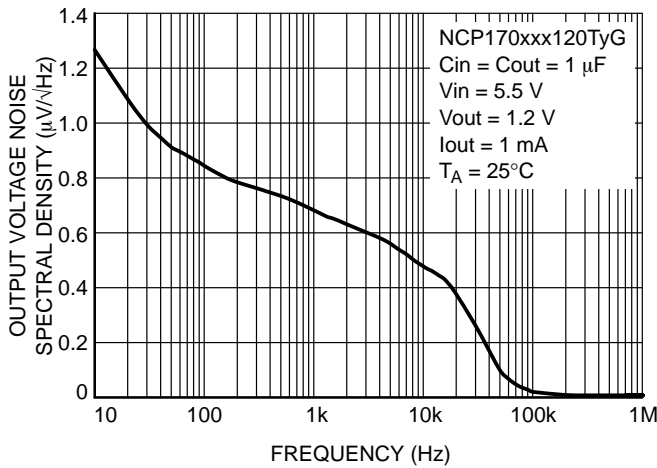


Figure 25. Output Voltage Noise Spectral Density, Vout = 1.2 V

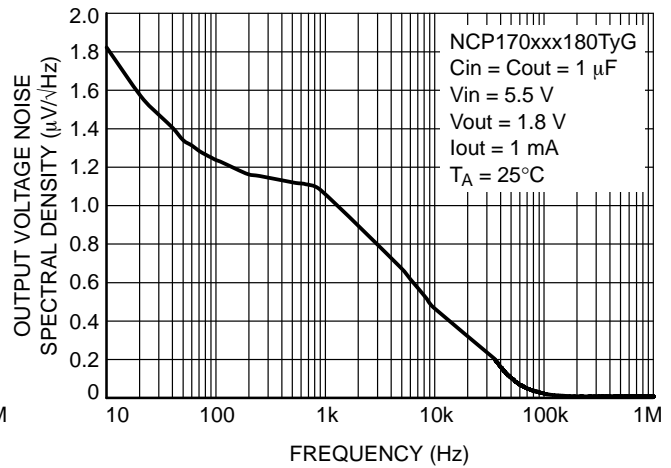


Figure 26. Output Voltage Noise Spectral Density, Vout = 1.8 V

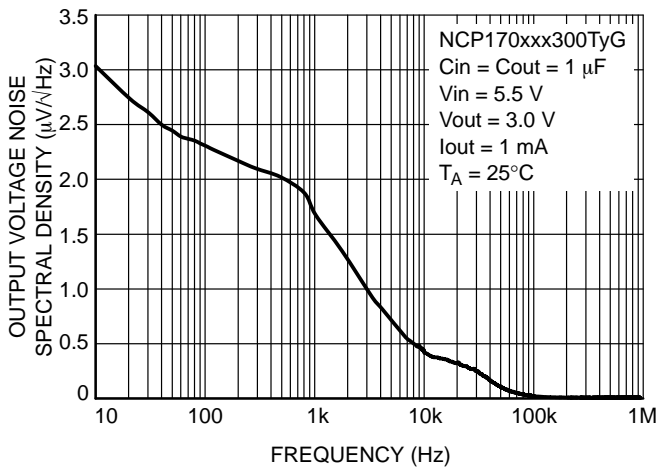


Figure 27. Output Voltage Noise Spectral Density, Vout = 3.0 V

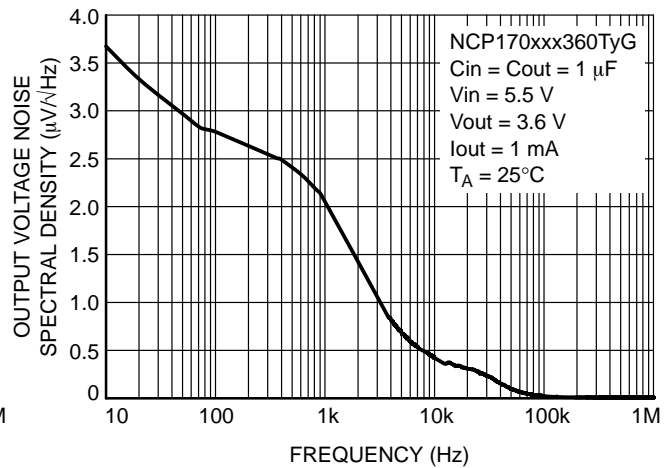


Figure 28. Output Voltage Noise Spectral Density, Vout = 3.6 V

NCP170

TYPICAL CHARACTERISTICS

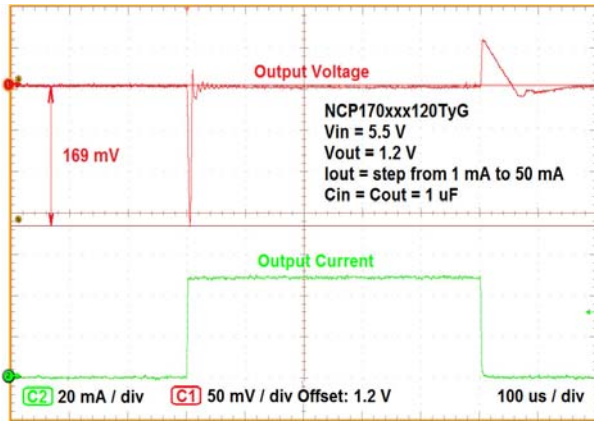


Figure 29. Load Transient Response at Load Step from 1 mA to 50 mA, Vout = 1.2 V

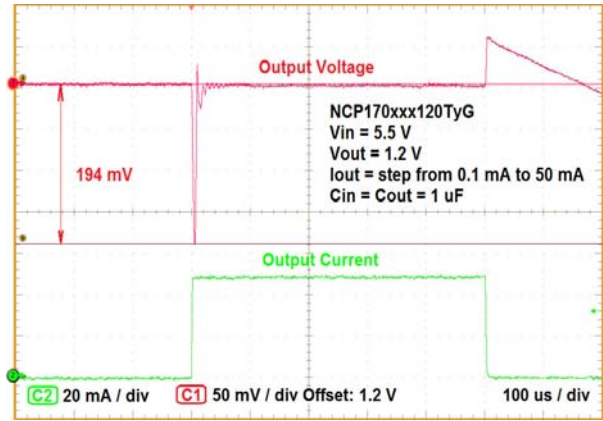


Figure 30. Load Transient Response at Load Step from 0.1 mA to 50 mA, Vout = 1.2 V

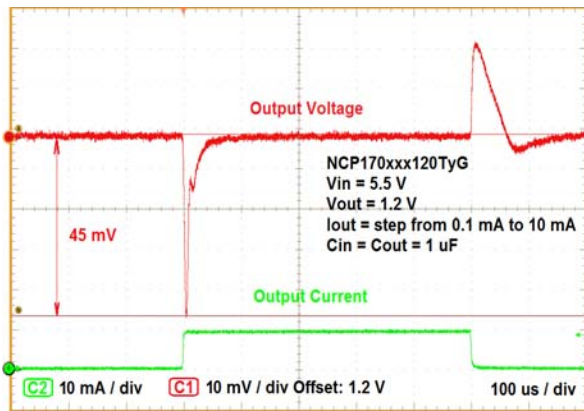


Figure 31. Load Transient Response at Load Step from 0.1 mA to 10 mA, Vout = 1.2 V

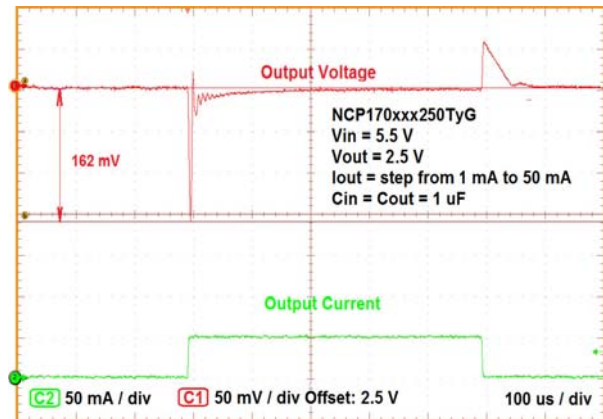


Figure 32. Load Transient Response at Load Step from 1 mA to 50 mA, Vout = 2.5 V

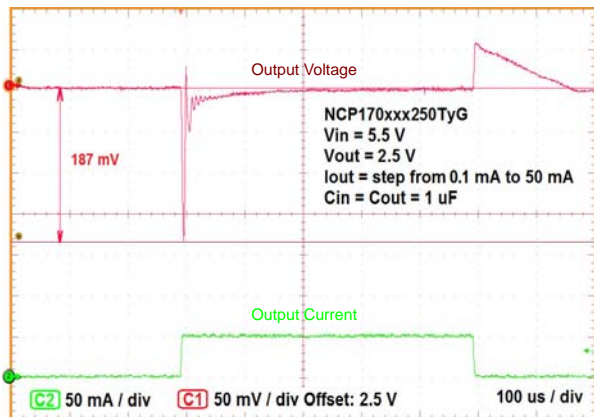


Figure 33. Load Transient Response at Load Step from 0.1 mA to 50 mA, Vout = 2.5 V

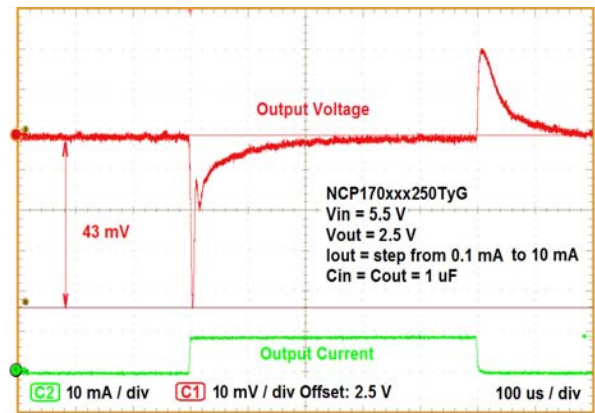


Figure 34. Load Transient Response at Load Step from 0.1 mA to 10 mA, Vout = 2.5 V

NCP170

TYPICAL CHARACTERISTICS

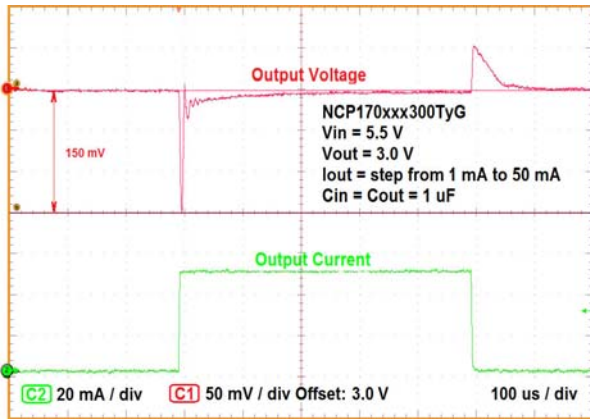


Figure 35. Load Transient Response at Load Step from 1mA to 50 mA, Vout= 3.0 V

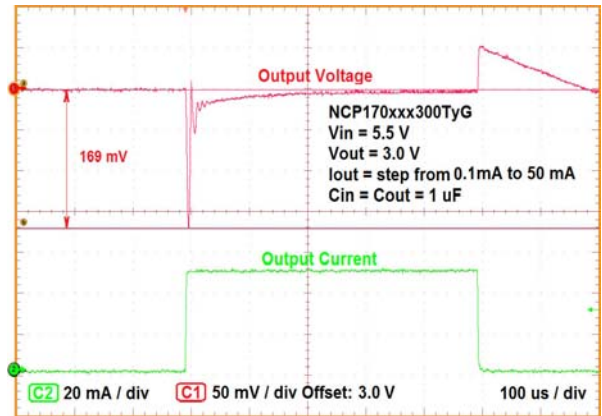


Figure 36. Load Transient Response at Load Step from 0.1 mA to 50 mA, Vout = 3.0 V

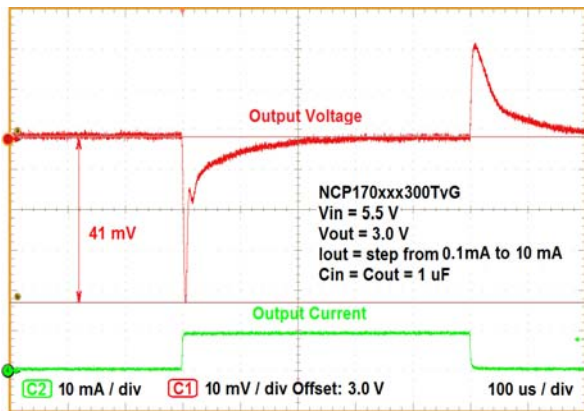


Figure 37. Load Transient Response at Load Step from 0.1 mA to 10 mA, Vout = 3.0 V

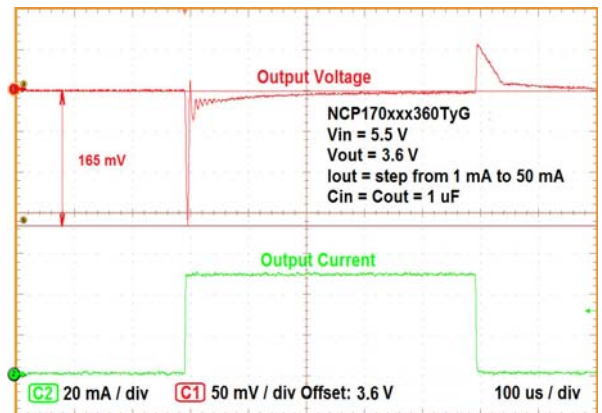


Figure 38. Load Transient Response at Load Step from 1 mA to 50 mA, Vout = 3.6 V

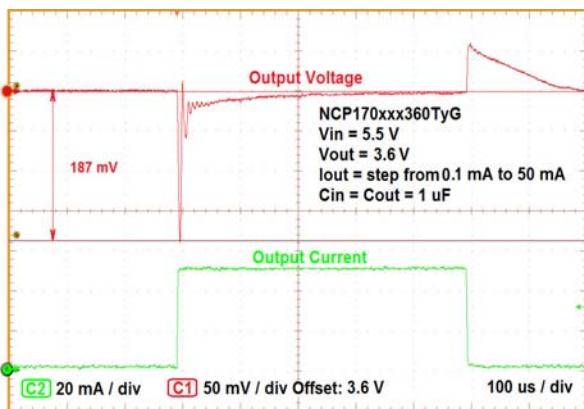


Figure 39. Load Transient Response at Load Step from 0.1 mA to 50 mA, Vout = 3.6 V

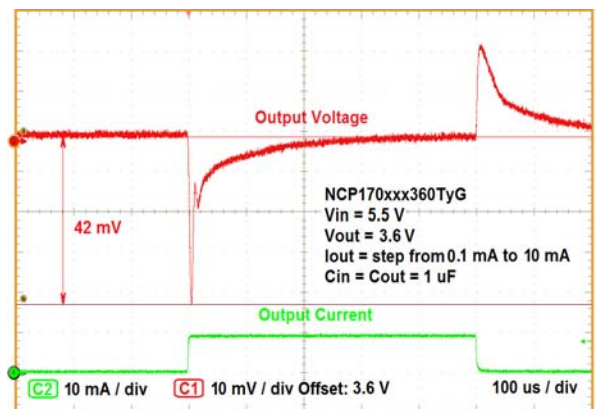


Figure 40. Load Transient Response at Load Step from 0.1 mA to 10 mA, Vout = 3.6 V

NCP170

TYPICAL CHARACTERISTICS

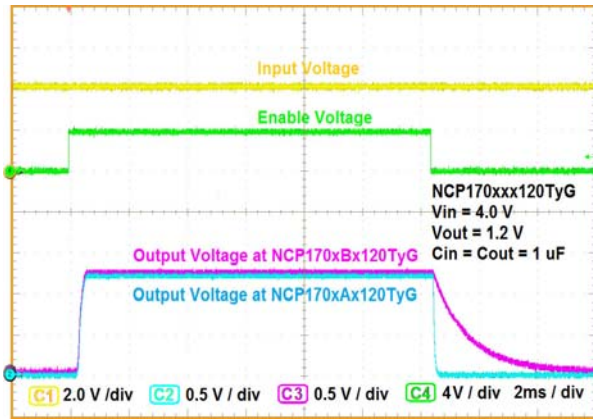


Figure 41. Output Voltage with and without Active Discharge Feature, Vout = 1.2 V

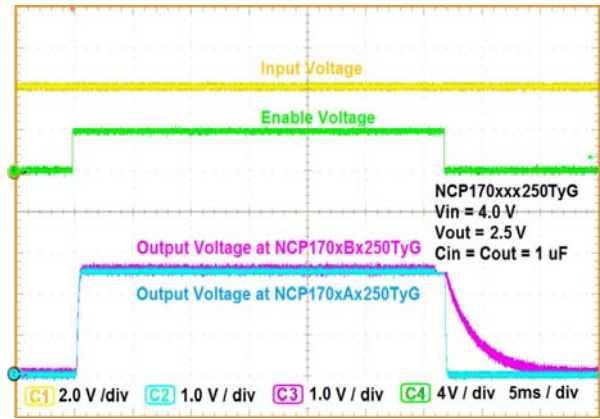


Figure 42. Output Voltage with and without Active Discharge Feature, Vout = 2.5 V

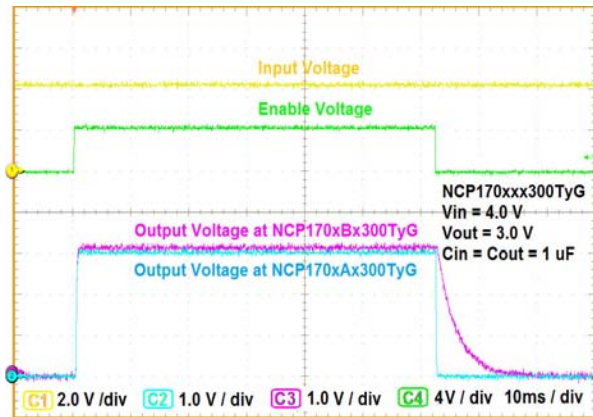


Figure 43. Output Voltage with and without Active Discharge Feature, Vout = 3.0 V

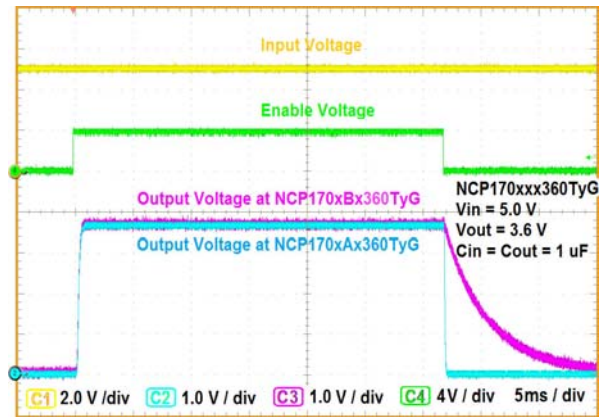


Figure 44. Output Voltage with and without Active Discharge Feature, Vout = 3.6 V

NCP170

TYPICAL CHARACTERISTICS

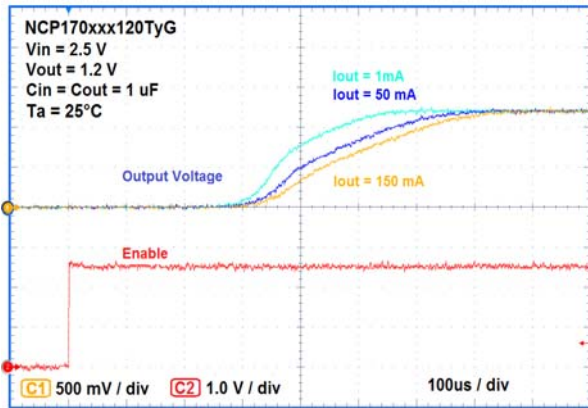


Figure 45. Enable Turn-on Response at Vout = 1.2 V

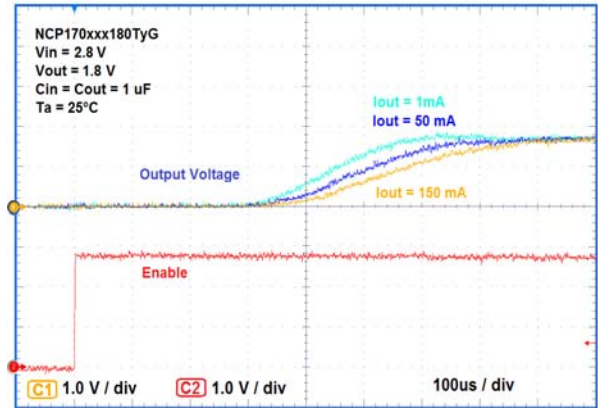


Figure 46. Enable Turn-on Response at Vout = 1.8 V

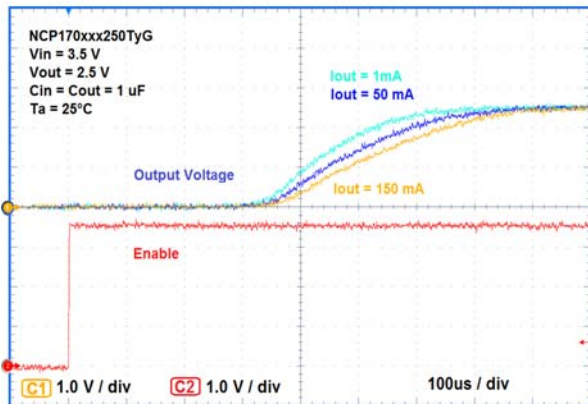


Figure 47. Enable Turn-on Response at Vout = 2.5 V

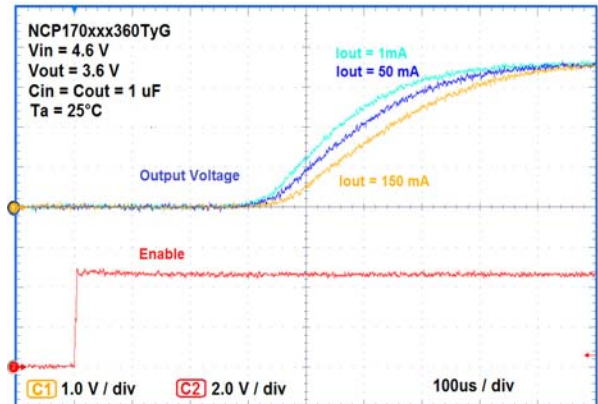


Figure 48. Enable Turn-on Response at Vout = 3.6 V

APPLICATIONS INFORMATION

General

The NCP170 is a high performance 150 mA Linear Regulator with Ultra Low IQ. This device delivers low Noise and high Power Supply Rejection Ratio with excellent dynamic performance due to employing the Dynamic Quiescent Current adjustment which assure ultra low I_Q consumption at no – load state. These parameters make this device very suitable for various battery powered applications.

Input Decoupling (C_{IN})

It is recommended to connect at least a 1 μ F Ceramic X5R or X7R capacitor between IN and GND pins of the device. This capacitor will provide a low impedance path for any unwanted AC signals or Noise superimposed onto constant Input Voltage. The good input capacitor will limit the influence of input trace inductances and source resistance during sudden load current changes.

Higher capacitance and lower ESR Capacitors will improve the overall line transient response.

Output Decoupling (C_{OUT})

The NCP170 does not require a minimum Equivalent Series Resistance (ESR) for the output capacitor. The device is designed to be stable with standard ceramics capacitors with values of 1.0 μ F or greater up to 10 μ F. The X5R and X7R types have the lowest capacitance variations over temperature thus they are recommended. There is recommended connect the output capacitor as close as possible to the output pin of the regulator.

Enable Operation

The NCP170 uses the EN pin to enable /disable its device and to activate /deactivate the active discharge function at devices with this feature. If the EN pin voltage is pulled below 0.4 V the device is guaranteed to be disable. The active discharge transistor at the devices with Active Discharge Feature is activated and the output voltage V_{OUT} is pulled to GND through an internal circuitry with effective resistance about 100 ohms.

If the EN pin voltage is higher than 1.2 V the device is guaranteed to be enabled. The internal active discharge circuitry is switched off and the desired output voltage is

available at output pin. In case the Enable function is not required the EN pin should be connected directly to input pin.

Thermal Shutdown

When the die temperature exceeds the Thermal Shutdown point ($T_{SD} = 175^\circ\text{C}$ typical) the device goes to disabled state and the output voltage is not delivered until the die temperature decreases to 150°C . The Thermal Shutdown feature provides a protection from a catastrophic device failure at accidental overheating. This protection is not intended to be used as a substitute for proper heat sinking.

Power Dissipation and Heat sinking

The maximum power dissipation supported by the device is dependent upon board design and layout. Mounting pad configuration on the PCB, the board material, and the ambient temperature affect the rate of junction temperature rise for the part. For reliable operation, junction temperature should be limited to $+125^\circ\text{C}$. The maximum power dissipation the NCP170 device can handle is given by:

$$P_{D(MAX)} = \frac{[T_{J(MAX)} - T_A]}{R_{\theta JA}} \quad (\text{eq. 1})$$

The power dissipated by the NCP170 device for given application conditions can be calculated from the following equations:

$$P_D \approx V_{IN}(I_{GND}(I_{OUT})) + I_{OUT}(V_{IN} - V_{OUT}) \quad (\text{eq. 2})$$

or

$$V_{IN(MAX)} \approx \frac{P_{D(MAX)} + (V_{OUT} \times I_{OUT})}{I_{OUT} + I_{GND}} \quad (\text{eq. 3})$$

Hints

V_{IN} and GND printed circuit board traces should be as wide as possible. When the impedance of these traces is high, there is a chance to pick up noise or cause the regulator to malfunction. Place external components, especially the output capacitor, as close as possible to the NCP170, and make traces as short as possible.

NCP170

ORDERING INFORMATION

| Device | Nominal Output Voltage | Marking | Active Discharge | Package | Shipping [†] |
|-----------------|------------------------|---------|------------------|------------------------------|-----------------------|
| NCP170AMX120TCG | 1.2 | AC | Yes | XDFN4 1.0 × 1.0 (Pb-Free) | 3000 / Tape & Reel |
| NCP170AMX135TCG | 1.35 | AP | | | |
| NCP170AMX150TCG | 1.5 | AJ | | | |
| NCP170AMX170TCG | 1.7 | AT | | | |
| NCP170AMX180TCG | 1.8 | AD | | | |
| NCP170AMX190TCG | 1.9 | AL | | | |
| NCP170AMX250TCG | 2.5 | AE | | | |
| NCP170AMX280TCG | 2.8 | AF | | | |
| NCP170AMX285TCG | 2.85 | AK | | | |
| NCP170AMX300TCG | 3.0 | AA | | | |
| NCP170AMX310TCG | 3.1 | AN | | | |
| NCP170AMX320TCG | 3.2 | AQ | | | |
| NCP170AMX330TCG | 3.3 | AG | | | |
| NCP170AMX360TCG | 3.6 | AM | | | |
| NCP170BMX120TCG | 1.2 | 2C | No | | |
| NCP170BMX135TCG | 1.35 | 2P | | | |
| NCP170BMX150TCG | 1.5 | 2J | | | |
| NCP170BMX170TCG | 1.7 | 2T | | | |
| NCP170BMX180TCG | 1.8 | 2D | | | |
| NCP170BMX190TCG | 1.9 | 2L | | | |
| NCP170BMX250TCG | 2.5 | 2E | | | |
| NCP170BMX280TCG | 2.8 | 2F | | | |
| NCP170BMX285TCG | 2.85 | 2K | | | |
| NCP170BMX300TCG | 3.0 | 2A | | | |
| NCP170BMX310TCG | 3.1 | 2N | | | |
| NCP170BMX320TCG | 3.2 | 2Q | | | |
| NCP170BMX330TCG | 3.3 | 2G | | | |
| NCP170BMX360TCG | 3.6 | 2M | | | |

NCP170

ORDERING INFORMATION

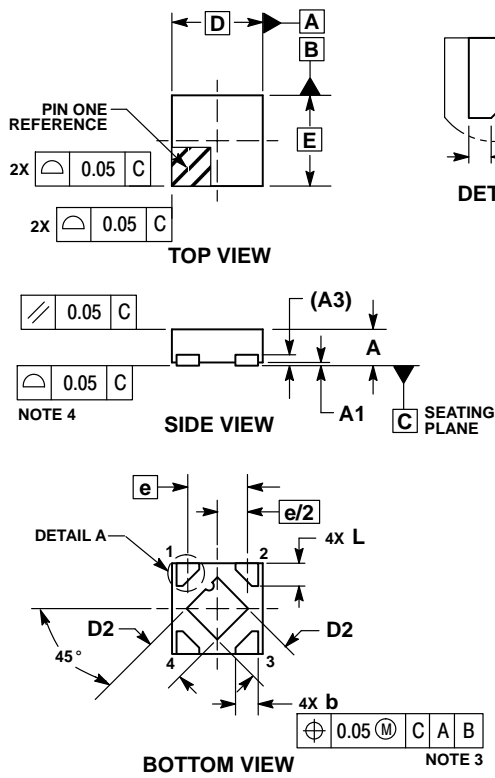
| Device | Nominal Output Voltage | Marking | Active Discharge | Package | Shipping† |
|-----------------|------------------------|---------|------------------|----------------------|--|
| NCP170AXV120T2G | 1.2 | AC | Yes | SOT-563 (Pb-Free) | 4000 / Tape & Reel (Available Soon) |
| NCP170AXV135T2G | 1.35 | AL | | | |
| NCP170AXV150T2G | 1.5 | AJ | | | |
| NCP170AXV180T2G | 1.8 | AD | | | |
| NCP170AXV190T2G | 1.9 | AM | | | |
| NCP170AXV210T2G | 2.1 | AK | | | |
| NCP170AXV250T2G | 2.5 | AE | | | |
| NCP170AXV280T2G | 2.8 | AF | | | |
| NCP170AXV300T2G | 3.0 | AA | | | |
| NCP170AXV310T2G | 3.1 | AN | | | |
| NCP170AXV330T2G | 3.3 | AH | | | |
| NCP170BXV120T2G | 1.2 | 2C | No | | |
| NCP170BXV135T2G | 1.35 | 2L | | | |
| NCP170BXV150T2G | 1.5 | 2J | | | |
| NCP170BXV180T2G | 1.8 | 2D | | | |
| NCP170BXV190T2G | 1.9 | 2M | | | |
| NCP170BXV250T2G | 2.5 | 2E | | | |
| NCP170BXV280T2G | 2.8 | 2F | | | |
| NCP170BXV300T2G | 3.0 | 2A | | | |
| NCP170BXV310T2G | 3.1 | 2N | | | |
| NCP170BXV330T2G | 3.3 | 2H | | | |
| NCP170ASN280T2G | 2.8 | GCA | Yes | TSOP-5 (Pb-Free) | 3000 / Tape & Reel (Available Soon) |
| NCP170ASN300T2G | 3.0 | GCC | | | |
| NCP170ASN330T2G | 3.3 | GCD | | | |

†For information on tape and reel specifications, including part orientation and tape sizes, please refer to our Tape and Reel Packaging Specifications Brochure, BRD8011/D.

NCP170

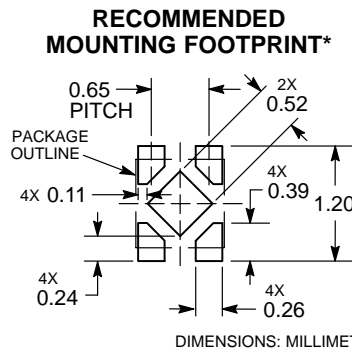
PACKAGE DIMENSIONS

XDFN4 1.0x1.0, 0.65P
MX SUFFIX
CASE 711AJ
ISSUE A



- NOTES:
1. DIMENSIONING AND TOLERANCING PER ASME Y14.5M, 1994.
 2. CONTROLLING DIMENSION: MILLIMETERS.
 3. DIMENSION b APPLIES TO PLATED TERMINAL AND IS MEASURED BETWEEN 0.15 AND 0.20 mm FROM THE TERMINAL TIPS.
 4. COPLANARITY APPLIES TO THE EXPOSED PAD AS WELL AS THE TERMINALS.

| MILLIMETERS | | |
|-------------|------|------|
| DIM | MIN | MAX |
| A | 0.33 | 0.43 |
| A1 | 0.00 | 0.05 |
| A3 | 0.10 | REF |
| b | 0.15 | 0.25 |
| b2 | 0.02 | 0.12 |
| D | 1.00 | BSC |
| D2 | 0.43 | 0.53 |
| E | 1.00 | BSC |
| e | 0.65 | BSC |
| L | 0.20 | 0.30 |
| L2 | 0.07 | 0.17 |

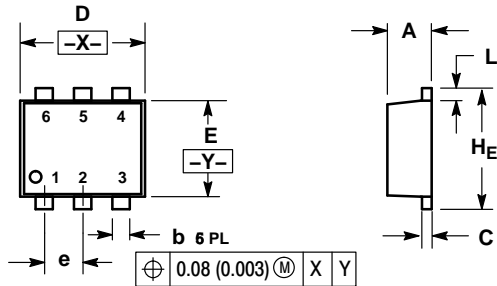


*For additional information on our Pb-Free strategy and soldering details, please download the ON Semiconductor Soldering and Mounting Techniques Reference Manual, SOLDERRM/D.

NCP170

PACKAGE DIMENSIONS

SOT-563, 6 LEAD
XV SUFFIX
CASE 463A
ISSUE G

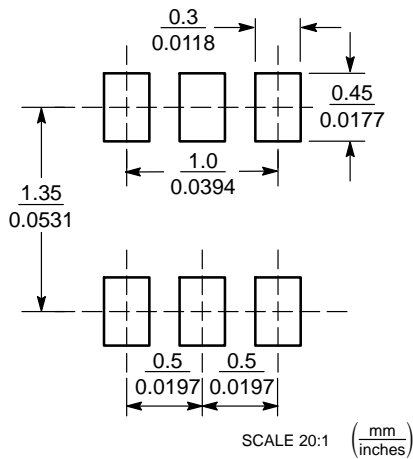


NOTES:

1. DIMENSIONING AND TOLERANCING PER ANSI Y14.5M, 1982.
2. CONTROLLING DIMENSION: MILLIMETERS
3. MAXIMUM LEAD THICKNESS INCLUDES LEAD FINISH THICKNESS. MINIMUM LEAD THICKNESS IS THE MINIMUM THICKNESS OF BASE MATERIAL.

| DIM | MILLIMETERS | | | INCHES | | |
|----------------|-------------|------|------|----------|-------|-------|
| | MIN | NOM | MAX | MIN | NOM | MAX |
| A | 0.50 | 0.55 | 0.60 | 0.020 | 0.021 | 0.023 |
| b | 0.17 | 0.22 | 0.27 | 0.007 | 0.009 | 0.011 |
| C | 0.08 | 0.12 | 0.18 | 0.003 | 0.005 | 0.007 |
| D | 1.50 | 1.60 | 1.70 | 0.059 | 0.062 | 0.066 |
| E | 1.10 | 1.20 | 1.30 | 0.043 | 0.047 | 0.051 |
| e | 0.5 BSC | | | 0.02 BSC | | |
| L | 0.10 | 0.20 | 0.30 | 0.004 | 0.008 | 0.012 |
| H _E | 1.50 | 1.60 | 1.70 | 0.059 | 0.062 | 0.066 |

SOLDERING FOOTPRINT*

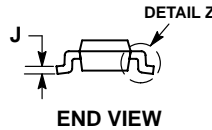
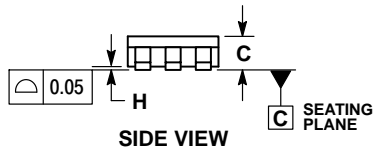
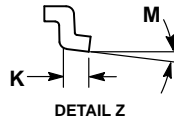
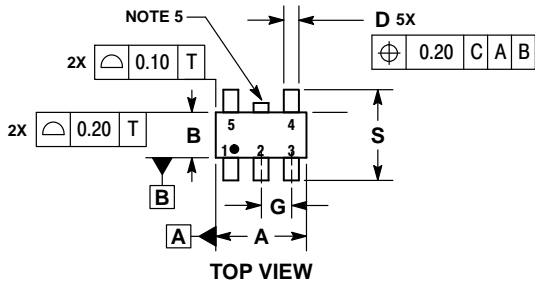


*For additional information on our Pb-Free strategy and soldering details, please download the ON Semiconductor Soldering and Mounting Techniques Reference Manual, SOLDERRM/D.

NCP170

PACKAGE DIMENSIONS

TSOP-5 CASE 483 ISSUE M

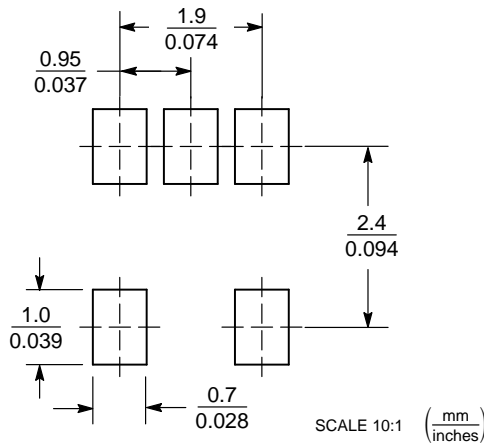


NOTES:

1. DIMENSIONING AND TOLERANCING PER ASME Y14.5M, 1994.
2. CONTROLLING DIMENSION: MILLIMETERS.
3. MAXIMUM LEAD THICKNESS INCLUDES LEAD FINISH THICKNESS. MINIMUM LEAD THICKNESS IS THE MINIMUM THICKNESS OF BASE MATERIAL.
4. DIMENSIONS A AND B DO NOT INCLUDE MOLD FLASH, PROTRUSIONS, OR GATE BURRS. MOLD FLASH, PROTRUSIONS, OR GATE BURRS SHALL NOT EXCEED 0.15 PER SIDE. DIMENSION A.
5. OPTIONAL CONSTRUCTION: AN ADDITIONAL TRIMMED LEAD IS ALLOWED IN THIS LOCATION. TRIMMED LEAD NOT TO EXTEND MORE THAN 0.2 FROM BODY.

| MILLIMETERS | | |
|-------------|----------|------|
| DIM | MIN | MAX |
| A | 2.85 | 3.15 |
| B | 1.35 | 1.65 |
| C | 0.90 | 1.10 |
| D | 0.25 | 0.50 |
| G | 0.95 BSC | |
| H | 0.01 | 0.10 |
| J | 0.10 | 0.26 |
| K | 0.20 | 0.60 |
| M | 0° 10° | |
| S | 2.50 | 3.00 |

SOLDERING FOOTPRINT*



*For additional information on our Pb-Free strategy and soldering details, please download the ON Semiconductor Soldering and Mounting Techniques Reference Manual, SOLDERRM/D.

ON Semiconductor and are trademarks of Semiconductor Components Industries, LLC dba ON Semiconductor or its subsidiaries in the United States and/or other countries. ON Semiconductor owns the rights to a number of patents, trademarks, copyrights, trade secrets, and other intellectual property. A listing of ON Semiconductor's product/patent coverage may be accessed at www.onsemi.com/site/pdf/Patent-Marking.pdf. ON Semiconductor reserves the right to make changes without further notice to any products herein. ON Semiconductor makes no warranty, representation or guarantee regarding the suitability of its products for any particular purpose, nor does ON Semiconductor assume any liability arising out of the application or use of any product or circuit, and specifically disclaims any and all liability, including without limitation special, consequential or incidental damages. Buyer is responsible for its products and applications using ON Semiconductor products, including compliance with all laws, regulations and safety requirements or standards, regardless of any support or applications information provided by ON Semiconductor. "Typical" parameters which may be provided in ON Semiconductor data sheets and/or specifications can and do vary in different applications and actual performance may vary over time. All operating parameters, including "Typicals" must be validated for each customer application by customer's technical experts. ON Semiconductor does not convey any license under its patent rights nor the rights of others. ON Semiconductor products are not designed, intended, or authorized for use as a critical component in life support systems or any FDA Class 3 medical devices or medical devices with a same or similar classification in a foreign jurisdiction or any devices intended for implantation in the human body. Should Buyer purchase or use ON Semiconductor products for any such unintended or unauthorized application, Buyer shall indemnify and hold ON Semiconductor and its officers, employees, subsidiaries, affiliates, and distributors harmless against all claims, costs, damages, and expenses, and reasonable attorney fees arising out of, directly or indirectly, any claim of personal injury or death associated with such unintended or unauthorized use, even if such claim alleges that ON Semiconductor was negligent regarding the design or manufacture of the part. ON Semiconductor is an Equal Opportunity/Affirmative Action Employer. This literature is subject to all applicable copyright laws and is not for resale in any manner.

PUBLICATION ORDERING INFORMATION

LITERATURE FULFILLMENT:

Literature Distribution Center for ON Semiconductor
19521 E. 32nd Pkwy, Aurora, Colorado 80011 USA
Phone: 303-675-2175 or 800-344-3860 Toll Free USA/Canada
Fax: 303-675-2176 or 800-344-3867 Toll Free USA/Canada
Email: orderlit@onsemi.com

N. American Technical Support: 800-282-9855 Toll Free
USA/Canada
Europe, Middle East and Africa Technical Support:
Phone: 421 33 790 2910
Japan Customer Focus Center
Phone: 81-3-5817-1050

ON Semiconductor Website: www.onsemi.com

Order Literature: <http://www.onsemi.com/orderlit>

For additional information, please contact your local Sales Representative