

NBSG86A

2.5V/3.3V SiGe Differential Smart Gate with Output Level Select

The NBSG86A is a multi-function differential Logic Gate which can be configured as an AND/NAND, OR/NOR, XOR/XNOR, or 2:1 MUX. This device is part of the GigaComm™ family of high performance Silicon Germanium products. The device is housed in a 3 x 3 mm 16 pin QFN package.

Differential inputs incorporate internal 50 Ω termination resistors and accept NECL (Negative ECL), PECL (Positive ECL), LVCMOS/LVTTL, CML, or LVDS. The Output Level Select (OLS) input is used to program the peak-to-peak output amplitude between 0 and 800 mV in five discrete steps.

The NBSG86A employs input default circuitry so that under open input conditions (\overline{D}_x , \overline{D}_x , \overline{VTD}_x , \overline{VTD}_x , VTSEL) the outputs of the device will remain stable.

Features

- Maximum Input Clock Frequency > 8 GHz Typical
- Maximum Input Data Rate > 8 Gb/s Typical
- 165 ps Typical Propagation Delay
- 40 ps Typical Rise and Fall Times
- Selectable Swing PECL Output with Operating Range: $V_{CC} = 2.375 \text{ V to } 3.465 \text{ V}$ with $V_{EE} = 0 \text{ V}$
- Selectable Swing NECL Output with NECL Inputs with Operating Range: $V_{CC} = 0 \text{ V}$ with $V_{EE} = -2.375 \text{ V to } -3.465 \text{ V}$
- Selectable Output Level (0 V, 200 mV, 400 mV, 600 mV, or 800 mV Peak-to-Peak Output)
- 50 Ω Internal Input Termination Resistors
- This is a Pb-Free Device



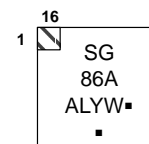
ON Semiconductor®

www.onsemi.com

MARKING DIAGRAM*



QFN16
MN SUFFIX
CASE 485G



A = Assembly Location
L = Wafer Lot
Y = Year
W = Work Week
▪ = Pb-Free Package
(Note: Microdot may be in either location)

*For additional marking information, refer to Application Note AND8002/D.

ORDERING INFORMATION

See detailed ordering and shipping information on page 16 of this data sheet.

NBSG86A

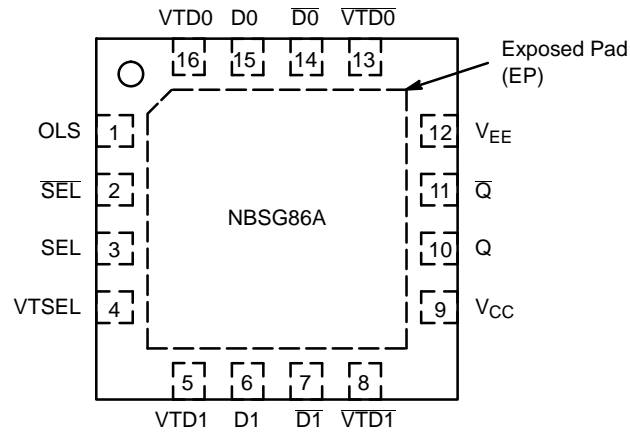


Figure 1. QFN16 Pinout (Top View)

Table 1. Pin Description

Pin	Name	I/O	Description
1	OLS (Note 3)	Input	Input Pin for the Output Level Select (OLS). See Table 2.
2	$\overline{\text{SEL}}$	ECL, CML, LVCMOS, LVDS, LVTTTL Input	Inverted Differential Select Logic Input.
3	SEL	ECL, CML, LVCMOS, LVDS, LVTTTL Input	Noninverted Differential Select Logic Input.
4	VTSEL	–	Common Internal 50 Ω Termination Pin for SEL/ $\overline{\text{SEL}}$. See Table 7. (Note 1)
5	VTD1	–	Internal 50 Ω termination pin. See Table 7. (Note 1)
6	D1	ECL, CML, LVCMOS, LVDS, LVTTTL Input	Noninverted Differential Input 1. Internal 75 k Ω to V_{EE} .
7	$\overline{\text{D1}}$	ECL, CML, LVCMOS, LVDS, LVTTTL Input	Inverted Differential Input 1. Internal 75 k Ω to V_{EE} and 36.5 k Ω to V_{CC} .
8	$\overline{\text{VTD1}}$	–	Internal 50 Ω Termination Pin. See Table 7. (Note 1)
9	V_{CC}	–	Positive Supply Voltage (Note 2)
10	Q	RSECL Output	Noninverted Differential Output. Typically Terminated with 50 Ω Resistor to $V_{TT} = V_{CC} - 2 \text{ V}$.
11	$\overline{\text{Q}}$	RSECL Output	Inverted Differential Output. Typically Terminated with 50 Ω Resistor to $V_{TT} = V_{CC} - 2 \text{ V}$
12	V_{EE}	–	Negative Supply Voltage (Note 2)
13	$\overline{\text{VTD0}}$	–	Internal 50 Ω Termination Pin. See Table 7. (Note 1)
14	$\overline{\text{D0}}$	ECL, CML, LVCMOS, LVDS, LVTTTL Input	Inverted Differential Input 0. Internal 75 k Ω to V_{EE} and 36.5 k Ω to V_{CC} .
15	D0	ECL, CML, LVCMOS, LVDS, LVTTTL Input	Noninverted Differential Input 0. Internal 75 k Ω to V_{EE} .
16	VTD0	–	Internal 50 Ω Termination Pin. See Table 7. (Note 1)
–	EP	–	The Exposed Pad (EP) and the QFN–16 package bottom is thermally connected to the die for improved heat transfer out of package. The exposed pad must be attached to a heat-sinking conduit. The pad is electrically connected to the die but may be electrically and thermally connected to V_{EE} on the PC board.

1. In the differential configuration when the input termination pins (VTDx, $\overline{\text{VTDx}}$, VTSEL) are connected to a common termination voltage, or left open, and if no signal is applied then the device will be susceptible to self-oscillation.
2. All V_{CC} and V_{EE} pins must be externally connected to Power Supply to guarantee proper operation.
3. When an output level of 400 mV is desired and $V_{CC} - V_{EE} > 3.0 \text{ V}$, 2 k Ω resistor should be connected from OLS pin to V_{EE} .

NBSG86A

Table 2. OUTPUT LEVEL SELECT OLS

OLS	Q/Q VPP	OLS Sensitivity
V_{CC}	800 mV	OLS - 75 mV
$V_{CC} - 0.4 V$	200 mV	OLS \pm 150 mV
$V_{CC} - 0.8 V$	600 mV	OLS \pm 100 mV
$V_{CC} - 1.2 V$	0	OLS \pm 75 mV
V_{EE} (Note 4)	400 mV	OLS \pm 100 mV
Float	600 mV	N/A

4. When an output level of 400 mV is desired and $V_{CC} - V_{EE} > 3.0 V$, 2.0 k Ω resistor should be connected from OLS to V_{EE} .

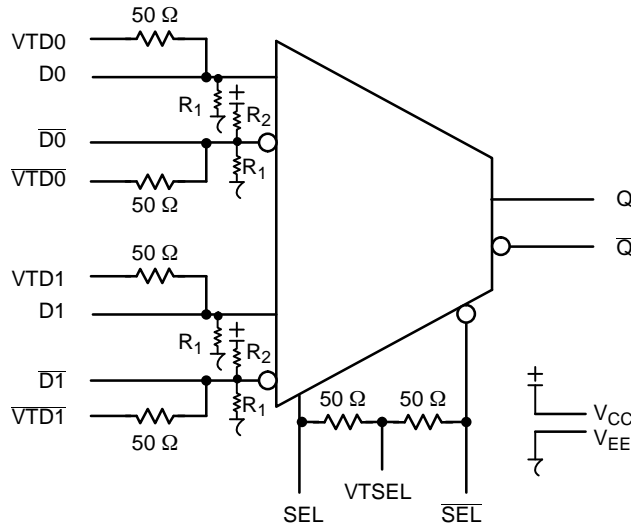


Figure 2. Logic Diagram

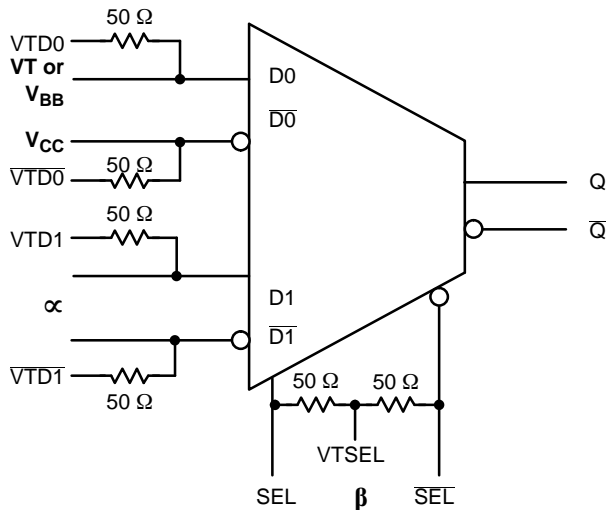


Figure 3. Configuration for AND/NAND Function

Table 3. AND/NAND TRUTH TABLE (Note 5)

	α	β	$\alpha * \beta$
D0	D1	SEL	Q
0	0	0	0
0	0	1	0
0	1	0	0
0	1	1	1

5. $\overline{D0}$, $\overline{D1}$, \overline{SEL} are inverse of D0, D1, SEL unless specified otherwise.

NBSG86A

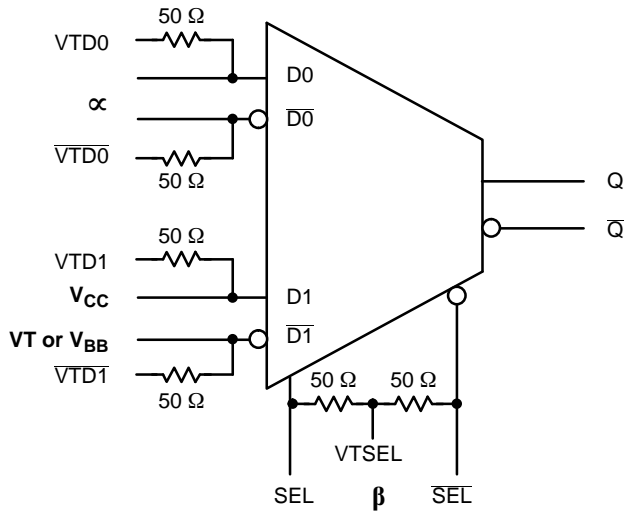


Figure 4. Configuration for OR/NOR Function

Table 4. OR/NOR TRUTH TABLE**

α		β	α or β
D0	D1	SEL	Q
0	1	0	0
0	1	1	1
1	1	0	1
1	1	1	1

** D0, D1, SEL are inverse of D0, D1, SEL unless specified otherwise.

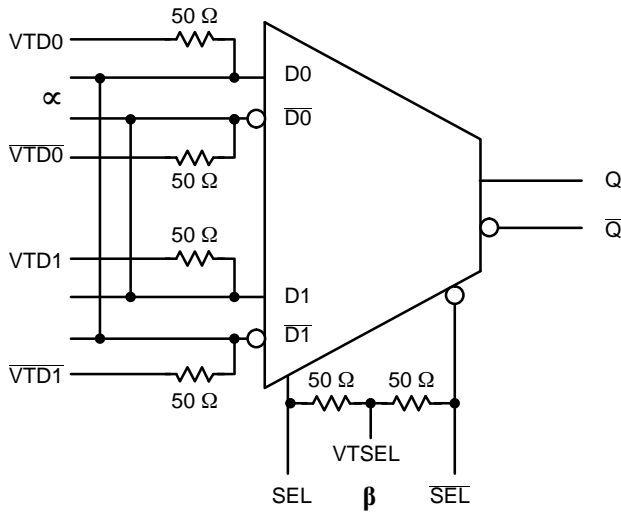


Figure 5. Configuration for XOR/XNOR Function

Table 5. XOR/XNOR TRUTH TABLE**

α		β	α XOR β
D0	D1	SEL	Q
0	1	0	0
0	1	1	1
1	0	0	1
1	0	1	0

** D0, D1, SEL are inverse of D0, D1, SEL unless specified otherwise.

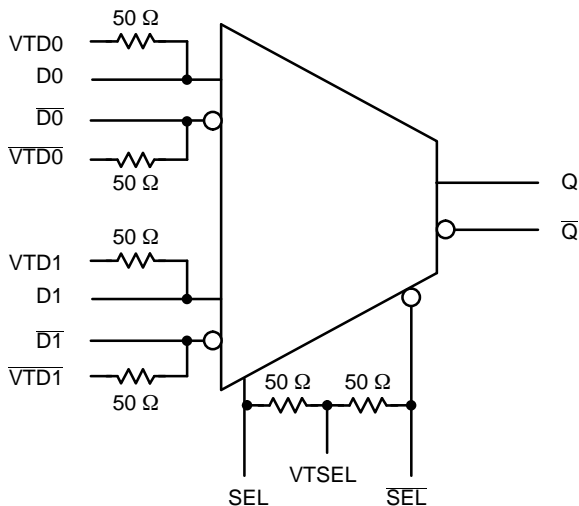


Figure 6. Configuration for 2:1 MUX Function

Table 6. 2:1 MUX TRUTH TABLE**

SEL	Q
1	D1
0	D0

** D0, D1, SEL are inverse of D0, D1, SEL unless specified otherwise.

NBSG86A

Table 7. Interfacing Options

INTERFACING OPTIONS	CONNECTIONS
CML	Connect VTD0, VTD1, VTSEL and $\overline{\text{VTD0}}$, $\overline{\text{VTD1}}$ to V_{CC}
LVDS	Connect VTD0, VTD1, $\overline{\text{VTD0}}$ and $\overline{\text{VTD1}}$ together. Leave VTSEL open.
AC-COUPLED	Bias VTD0, VTD1, VTSEL and $\overline{\text{VTD0}}$, $\overline{\text{VTD1}}$ Inputs within (VIHCMR) Common Mode Range
RSECL, PECL, NECL	Standard ECL Termination Techniques
LVTTTL, LVCMOS	An external voltage should be applied to the unused complementary differential input. Nominal voltage 1.5 V for LVTTTL and $V_{CC}/2$ for LVCMOS inputs.

Table 8. ATTRIBUTES

Characteristics	Value
Internal Input Pulldown Resistors (R_1)	75 k Ω
Internal Input Pullup Resistor (R_2)	37.5 k Ω
ESD Protection	Human Body Model Machine Model Charged Device Model
	> 1 KV > 50 V > 4 KV
Moisture Sensitivity (Note 6)	Pb-Free
	Level 1
Flammability Rating	Oxygen Index: 28 to 34
	UL 94 V-0 @ 0.125 in
Transistor Count	
Meets or exceeds JEDEC Spec EIA/JESD78 IC Latchup Test	

6. For additional information, see Application Note AND8003/D.

Table 9. MAXIMUM RATINGS

Symbol	Parameter	Condition 1	Condition 2	Rating	Unit
V_{CC}	Positive Power Supply	$V_{EE} = 0\text{ V}$		3.6	V
V_{EE}	Negative Power Supply	$V_{CC} = 0\text{ V}$		-3.6	V
V_I	Positive Input Negative Input	$V_{EE} = 0\text{ V}$ $V_{CC} = 0\text{ V}$	$V_I \leq V_{CC}$ $V_I \geq V_{EE}$	3.6 -3.6	V V
V_{INPP}	Differential Input Voltage $ D_n - \overline{D}_n $, $ \text{SEL} - \overline{\text{SEL}} $	$V_{CC} - V_{EE} \geq 2.8\text{ V}$ $V_{CC} - V_{EE} < 2.8\text{ V}$		2.8 $ V_{CC} - V_{EE} $	V V
I_{IN}	Input Current Through R_T (50 Ω Resistor)	Static Surge		45 80	mA mA
I_{out}	Output Current	Continuous Surge		25 50	mA mA
T_A	Operating Temperature Range			-40 to +85	$^{\circ}\text{C}$
T_{stg}	Storage Temperature Range			-65 to +150	$^{\circ}\text{C}$
θ_{JA}	Thermal Resistance (Junction-to-Ambient) (Note 7)	0 lfpm 500 lfpm		41.6 35.2	$^{\circ}\text{C}/\text{W}$ $^{\circ}\text{C}/\text{W}$
θ_{JC}	Thermal Resistance (Junction-to-Case)	2S2P (Note 7)		4.0	$^{\circ}\text{C}/\text{W}$
T_{sol}	Wave Solder	Pb-Free < 3 sec @ 260 $^{\circ}\text{C}$		265	$^{\circ}\text{C}$

Stresses exceeding those listed in the Maximum Ratings table may damage the device. If any of these limits are exceeded, device functionality should not be assumed, damage may occur and reliability may be affected.

7. JEDEC standard multilayer board – 2S2P (2 signal, 2 power) with 8 filled thermal vias under exposed pad.

NBSG86A

Table 10. DC CHARACTERISTICS, INPUT WITH LVPECL OUTPUT $V_{CC} = 2.5\text{ V}$; $V_{EE} = 0\text{ V}$, $T_A = -40^\circ\text{C}$ to $+85^\circ\text{C}$ (Note 8)

Symbol	Characteristic	-40°C			25°C			85°C			Unit
		Min	Typ	Max	Min	Typ	Max	Min	Typ	Max	

POWER SUPPLY CURRENT

I_{EE}	Negative Power Supply Current	23	30	39	23	30	39	23	30	39	mA
----------	-------------------------------	----	----	----	----	----	----	----	----	----	----

LVPECL OUTPUTS (Note 9)

V_{OH}	Output HIGH Voltage	1460	1510	1560	1490	1540	1590	1515	1565	1615	mV
V_{OL}	Output LOW Voltage										mV
	(OLS = V_{CC})	555	705	855	595	745	895	625	775	925	
	(OLS = $V_{CC} - 0.4\text{ V}$)	1235	1295	1385	1270	1330	1420	1295	1355	1445	
	(OLS = $V_{CC} - 0.8\text{ V}$, OLS = FLOAT)	775	895	1015	810	930	1050	840	960	1080	
	(OLS = $V_{CC} - 1.2\text{ V}$)	1455	1505	1585	1490	1540	1620	1510	1560	1640	
	(OLS = V_{EE})	1005	1095	1215	1040	1130	1250	1065	1155	1275	
V_{OUTPP}	Output Voltage Amplitude										mV
	(OLS = V_{CC})	670	800		660	795		655	790		
	(OLS = $V_{CC} - 0.4\text{ V}$)	125	215		120	210		120	210		
	(OLS = $V_{CC} - 0.8\text{ V}$, OLS = FLOAT)	510	615		505	610		500	605		
	(OLS = $V_{CC} - 1.2\text{ V}$)	0	5		0	0		0	5		
	(OLS = V_{EE})	325	415		320	410		320	410		

DIFFERENTIAL CLOCK INPUTS DRIVEN SINGLE-ENDED (Figures 11 & 13) (Note 10)

V_{IH}	Input HIGH Voltage (Single-Ended) D, \bar{D} , SEL, \bar{SEL}	1200		V_{CC}	1200		V_{CC}	1200		V_{CC}	mV
V_{IL}	Input LOW Voltage (Single-Ended) D, \bar{D} , SEL, \bar{SEL}	0		$V_{CC} - 150$	0		$V_{CC} - 150$	0		$V_{CC} - 150$	mV
V_{th}	Input Threshold Reference Voltage Range (Note 11)	950		$V_{CC} - 75$	950		$V_{CC} - 75$	950		$V_{CC} - 75$	mV
V_{ISE}	Single-Ended Input Voltage ($V_{IH} - V_{IL}$)	150		2600	150		2600	150		260	mV

DIFFERENTIAL INPUTS DRIVEN DIFFERENTIALLY (Figures 12 & 14) (Note 12)

V_{IHD}	Differential Input HIGH Voltage (D, \bar{D} , SEL, \bar{SEL})	1200		V_{CC}	1200		V_{CC}	1200		V_{CC}	mV
V_{ILD}	Differential Input LOW Voltage (D, \bar{D} , SEL, \bar{SEL})	0		$V_{CC} - 75$	0		$V_{CC} - 75$	0		$V_{CC} - 75$	mV
V_{ID}	Differential Input Voltage ($V_{IHD} - V_{ILD}$) (D, \bar{D} , SEL, \bar{SEL})	75		2600	75		2600	75		2600	mV
V_{IHCMR}	Input HIGH Voltage Common Mode Range (Differential Configuration) (Note 13) (Figure 15)	1200		2500	1200		2500	1200		2500	mV
I_{IH}	Input HIGH Current (@ V_{IH}) D, \bar{D} SEL, \bar{SEL}		30	100		30	100		30	100	μA
			5	50		5	50		5	50	
I_{IL}	Input LOW Current (@ V_{IL}) D, \bar{D} SEL, \bar{SEL}		20	100		20	100		20	100	μA
			5	50		5	50		5	50	

TERMINATION RESISTORS

R_{TIN}	Internal Input Termination Resistor	45	50	55	45	50	55	45	50	55	Ω
-----------	-------------------------------------	----	----	----	----	----	----	----	----	----	----------

Product parametric performance is indicated in the Electrical Characteristics for the listed test conditions, unless otherwise noted. Product performance may not be indicated by the Electrical Characteristics if operated under different conditions.

NOTE: Device will meet the specifications after thermal equilibrium has been established when mounted in a test socket or printed circuit board with maintained transverse airflow greater than 500 lfm.

8. Input and output parameters vary 1:1 with V_{CC} .

9. LVPECL outputs loaded with 50 Ω to $V_{CC} - 2\text{ V}$ for proper operation.

10. V_{th} , V_{IH} , V_{IL} , and V_{ISE} parameters must be complied with simultaneously.

11. V_{th} is applied to the complementary input when operating in single-ended mode. $V_{th} = (V_{IH} - V_{IL}) / 2$.

12. V_{IHD} , V_{ILD} , V_{ID} and V_{CMR} parameters must be complied with simultaneously.

13. V_{IHCMR} min varies 1:1 with V_{EE} , V_{IHCMR} max varies 1:1 with V_{CC} . The V_{IHCMR} range is referenced to the most positive side of the differential input signal.

NBSG86A

Table 11. DC CHARACTERISTICS, INPUT WITH LVPECL OUTPUT $V_{CC} = 3.3\text{ V}$; $V_{EE} = 0\text{ V}$; $T_A = -40^\circ\text{C}$ to $+85^\circ\text{C}$ (Note 14)

Symbol	Characteristic	-40°C			25°C			85°C			Unit
		Min	Typ	Max	Min	Typ	Max	Min	Typ	Max	

POWER SUPPLY CURRENT

I_{EE}	Negative Power Supply Current	23	30	39	23	30	39	23	30	39	mA
----------	-------------------------------	----	----	----	----	----	----	----	----	----	----

LVPECL OUTPUTS (Note 15)

V_{OH}	Output HIGH Voltage	2260	2310	2360	2290	2340	2390	2315	2365	2415	mV
V_{OL}	Output LOW Voltage										mV
	(OLS = V_{CC})	1320	1470	1620	1360	1510	1660	1390	1540	1690	
	(OLS = $V_{CC} - 0.4\text{ V}$)	2030	2090	2180	2065	2125	2215	2090	2150	2240	
	(OLS = $V_{CC} - 0.8\text{ V}$, OLS = FLOAT)	1550	1670	1790	1585	1705	1825	1615	1735	1855	
	(OLS = $V_{CC} - 1.2\text{ V}$)	2260	2310	2390	2290	2340	2420	2315	2365	2445	
	** (OLS = V_{EE})	1785	1875	1995	1820	1910	2030	1850	1940	2060	
V_{OUTPP}	Output Amplitude Voltage										mV
	(OLS = V_{CC})	705	815		695	805		690	800		
	(OLS = $V_{CC} - 0.4\text{ V}$)	130	220		125	215		125	215		
	(OLS = $V_{CC} - 0.8\text{ V}$, OLS = FLOAT)	535	640		530	635		525	630		
	(OLS = $V_{CC} - 1.2\text{ V}$)	0	0		0	0		0	0		
	** (OLS = V_{EE})	345	435		340	430		335	425		

DIFFERENTIAL CLOCK INPUTS DRIVEN SINGLE-ENDED (Figures 11 & 13) (Note 16)

V_{IH}	Input HIGH Voltage (Single-Ended) D, \bar{D} , SEL, \overline{SEL}	1200		V_{CC}	1200		V_{CC}	1200		V_{CC}	mV
V_{IL}	Input LOW Voltage (Single-Ended) D, \bar{D} , SEL, \overline{SEL}	0		$V_{CC} - 150$	0		$V_{CC} - 150$	0		$V_{CC} - 150$	mV
V_{th}	Input Threshold Reference Voltage Range (Note 17)	950		$V_{CC} - 75$	950		$V_{CC} - 75$	950		$V_{CC} - 75$	mV
V_{ISE}	Single-Ended Input Voltage ($V_{IH} - V_{IL}$)	150		2600	150		2600	150		2600	mV

DIFFERENTIAL INPUTS DRIVEN DIFFERENTIALLY (Figures 12 & 14) (Note 18)

V_{IHD}	Differential Input HIGH Voltage (D, \bar{D} , SEL, \overline{SEL})	1200		V_{CC}	1200		V_{CC}	1200		V_{CC}	mV
V_{ILD}	Differential Input LOW Voltage (D, \bar{D} , SEL, \overline{SEL})	0		$V_{CC} - 75$	0		$V_{CC} - 75$	0		$V_{CC} - 75$	mV
V_{ID}	Differential Input Voltage ($V_{IHD} - V_{ILD}$) (D, \bar{D} , SEL, \overline{SEL})	75		2600	75		2600	75		2600	mV
V_{IHCMR}	Input HIGH Voltage Common Mode Range (Differential Configuration) (Note 19) (Figure 19)	1200		3300	1200		3300	1200		3300	mV
I_{IH}	Input HIGH Current (@ V_{IH}) D, \bar{D} SEL, \overline{SEL}		30	100		30	100		30	100	μA
			5	50		5	50		5	50	
I_{IL}	Input LOW Current (@ V_{IL}) D, \bar{D} SEL, \overline{SEL}		20	100		20	100		20	100	μA
			5	50		5	50		5	50	

TERMINATION RESISTORS

R_{TIN}	Internal Input Termination Resistor	45	50	55	45	50	55	45	50	55	Ω
-----------	-------------------------------------	----	----	----	----	----	----	----	----	----	----------

Product parametric performance is indicated in the Electrical Characteristics for the listed test conditions, unless otherwise noted. Product performance may not be indicated by the Electrical Characteristics if operated under different conditions.

NOTE: Device will meet the specifications after thermal equilibrium has been established when mounted in a test socket or printed circuit board with maintained transverse airflow greater than 500 lfm.

**When an output level of 400 mV is desired and $V_{CC} - V_{EE} > 3.0\text{ V}$, a 2 k Ω resistor should be connected from OLS to V_{EE} .

14. Input and output parameters vary 1:1 with V_{CC} .

15. LVPECL outputs loaded with 50 Ω to $V_{CC} - 2\text{ V}$ for proper operation.

16. V_{th} , V_{IH} , V_{IL} , and V_{ISE} parameters must be complied with simultaneously.

17. V_{th} is applied to the complementary input when operating in single-ended mode. $V_{th} = (V_{IH} - V_{IL}) / 2$.

18. V_{IHD} , V_{ILD} , V_{ID} and V_{CMR} parameters must be complied with simultaneously.

19. V_{IHCMR} min varies 1:1 with V_{EE} , V_{IHCMR} max varies 1:1 with V_{CC} . The V_{IHCMR} range is referenced to the most positive side of the differential input signal.

NBSG86A

Table 12. DC CHARACTERISTICS, NECL INPUT WITH NECL OUTPUT $V_{CC} = 0\text{ V}$; $V_{EE} = -3.465\text{ V}$ to -2.375 V , $T_A = -40^\circ\text{C}$ to $+85^\circ\text{C}$ (Note 20)

Symbol	Characteristic	-40°C			25°C			85°C			Unit
		Min	Typ	Max	Min	Typ	Max	Min	Typ	Max	

POWER SUPPLY CURRENT

I_{EE}	Negative Power Supply Current	23	30	39	23	30	39	23	30	39	mA
----------	-------------------------------	----	----	----	----	----	----	----	----	----	----

LVPECL OUTPUTS (Note 21)

V_{OH}	Output HIGH Voltage	-1040	-990	-940	-1010	-960	-910	-985	-935	-885	mV
V_{OL}	Output LOW Voltage $-3.465\text{ V} \leq V_{EE} \leq -3.0\text{ V}$ (OLS = V_{CC}) (OLS = $V_{CC} - 0.4\text{ V}$) (OLS = $V_{CC} - 0.8\text{ V}$, OLS = FLOAT) (OLS = $V_{CC} - 1.2\text{ V}$) **(OLS = V_{EE}) $-3.0\text{ V} < V_{EE} \leq -2.375\text{ V}$ (OLS = V_{CC}) (OLS = $V_{CC} - 0.4\text{ V}$) (OLS = $V_{CC} - 0.8\text{ V}$, OLS = FLOAT) (OLS = $V_{CC} - 1.2\text{ V}$) (OLS = V_{EE})	-1980	-1830	-1680	-1940	-1790	-1640	-1910	-1760	-1610	mV
		-1270	-1210	-1120	-1235	-1175	-1085	-1210	-1150	-1060	
		-1750	-1630	-1510	-1715	-1595	-1475	-1685	-1565	-1445	
		-1040	-990	-910	-1010	-960	-880	-985	-935	-855	
		-1515	-1425	-1305	-1480	-1390	-1270	-1450	-1360	-1240	
		-1945	-1795	-1645	-1905	-1755	-1605	-1875	-1725	-1575	
		-1265	-1205	-1115	-1230	-1170	-1080	-1205	-1145	-1055	
		-1725	-1605	-1485	-1690	-1570	-1450	-1660	-1540	-1420	
		-1045	-995	-915	-1010	-960	-880	-990	-940	-860	
		-1495	-1405	-1285	-1460	-1370	-1250	-1435	-1345	-1225	
V_{OUTPP}	Output Voltage Amplitude $-3.465\text{ V} \leq V_{EE} \leq -3.0\text{ V}$ (OLS = V_{CC}) (OLS = $V_{CC} - 0.4\text{ V}$) (OLS = $V_{CC} - 0.8\text{ V}$, OLS = FLOAT) (OLS = $V_{CC} - 1.2\text{ V}$) **(OLS = V_{EE}) $-3.0\text{ V} < V_{EE} \leq -2.375\text{ V}$ (OLS = V_{CC}) (OLS = $V_{CC} - 0.4\text{ V}$) (OLS = $V_{CC} - 0.8\text{ V}$, OLS = FLOAT) (OLS = $V_{CC} - 1.2\text{ V}$) (OLS = V_{EE})	705	815		695	805		690	800		mV
		130	220		125	215		125	215		
		535	640		530	635		525	630		
		0	0		0	0		0	0		
		345	435		340	430		335	425		
		670	800		660	795		655	790		
		125	215		120	210		120	210		
		510	615		505	610		500	605		
		0	5		0	0		0	5		
		325	415		320	410		320	410		

DIFFERENTIAL CLOCK INPUTS DRIVEN SINGLE-ENDED (Figures 11 & 13) (Note 22)

V_{IH}	Input HIGH Voltage (Single-Ended) D, \bar{D} , SEL, \bar{SEL}	$V_{EE} + 1200$		V_{CC}	$V_{EE} + 1200$		V_{CC}	$V_{EE} + 1200$		V_{CC}	mV
V_{IL}	Input LOW Voltage (Single-Ended) D, \bar{D} , SEL, \bar{SEL}	V_{EE}		$V_{IH} - 150$	V_{EE}		$V_{IH} - 150$	V_{EE}		$V_{IH} - 150$	mV
V_{th}	Input Threshold Reference Voltage Range (Note 23)	$V_{EE} + 950$		$V_{CC} - 75$	$V_{EE} + 950$		$V_{CC} - 75$	$V_{EE} + 950$		$V_{CC} - 75$	mV
V_{ISE}	Single-Ended Input Voltage ($V_{IH} - V_{IL}$)	150		2600	150		2600	150		2600	mV

Product parametric performance is indicated in the Electrical Characteristics for the listed test conditions, unless otherwise noted. Product performance may not be indicated by the Electrical Characteristics if operated under different conditions.

NOTE: Device will meet the specifications after thermal equilibrium has been established when mounted in a test socket or printed circuit board with maintained transverse airflow greater than 500 lfm.

**When an output level of 400 mV is desired and $V_{CC} - V_{EE} > 3.0\text{ V}$, a 2 k Ω resistor should be connected from OLS to V_{EE} .

20. Input and output parameters vary 1:1 with V_{CC} .

21. LVPECL outputs loaded with 50 Ω to $V_{CC} - 2\text{ V}$ for proper operation.

22. V_{th} , V_{IH} , V_{IL} , and V_{ISE} parameters must be complied with simultaneously.

23. V_{th} is applied to the complementary input when operating in single-ended mode. $V_{th} = (V_{IH} - V_{IL}) / 2$.

24. V_{IHD} , V_{ILD} , V_{ID} and V_{CMR} parameters must be complied with simultaneously.

25. V_{IHCMR} min varies 1:1 with V_{EE} , V_{IHCMR} max varies 1:1 with V_{CC} . The V_{IHCMR} range is referenced to the most positive side of the differential input signal.

NBSG86A

Table 12. DC CHARACTERISTICS, NECL INPUT WITH NECL OUTPUT $V_{CC} = 0\text{ V}$; $V_{EE} = -3.465\text{ V}$ to -2.375 V , $T_A = -40^\circ\text{C}$ to $+85^\circ\text{C}$ (Note 20)

Symbol	Characteristic	-40°C			25°C			85°C			Unit
		Min	Typ	Max	Min	Typ	Max	Min	Typ	Max	
DIFFERENTIAL INPUTS DRIVEN DIFFERENTIALLY (Figures 12 & 14) (Note 24)											
V_{IHD}	Differential Input HIGH Voltage (D, \bar{D} , SEL, $\overline{\text{SEL}}$)	$V_{EE}+1200$		V_{CC}	$V_{EE}+1200$		V_{CC}	$V_{EE}+1200$		V_{CC}	mV
V_{ILD}	Differential Input LOW Voltage (D, \bar{D} , SEL, $\overline{\text{SEL}}$)	V_{EE}		$V_{CC} - 75$	V_{EE}		$V_{CC} - 75$	V_{EE}		$V_{CC} - 75$	mV
V_{ID}	Differential Input Voltage ($V_{IHD} - V_{ILD}$) (D, \bar{D} , SEL, $\overline{\text{SEL}}$)	75		2600	75		2600	75		2600	mV
V_{IHCMR}	Input HIGH Voltage Common Mode Range (Differential Configuration) (Note 25) (Figure 15)	$V_{EE}+1200$		0	$V_{EE}+1200$		0	$V_{EE}+1200$		0	mV
I_{IH}	Input HIGH Current (@ V_{IH}) D, \bar{D} SEL, $\overline{\text{SEL}}$		30 5	100 50		30 5	100 50		30 5	100 50	μA
I_{IL}	Input LOW Current (@ V_{IL}) D, \bar{D} SEL, $\overline{\text{SEL}}$		20 5	100 50		20 5	100 50		20 5	100 50	μA

TERMINATION RESISTORS

R_{TIN}	Internal Input Termination Resistor	45	50	55	45	50	55	45	50	55	Ω

Product parametric performance is indicated in the Electrical Characteristics for the listed test conditions, unless otherwise noted. Product performance may not be indicated by the Electrical Characteristics if operated under different conditions.

NOTE: Device will meet the specifications after thermal equilibrium has been established when mounted in a test socket or printed circuit board with maintained transverse airflow greater than 500 lfpm.

**When an output level of 400 mV is desired and $V_{CC} - V_{EE} > 3.0\text{ V}$, a 2 k Ω resistor should be connected from OLS to V_{EE} .

20. Input and output parameters vary 1:1 with V_{CC} .

21. LVPECL outputs loaded with 50 Ω to $V_{CC} - 2\text{ V}$ for proper operation.

22. V_{th} , V_{IH} , V_{IL} , and V_{ISE} parameters must be complied with simultaneously.

23. V_{th} is applied to the complementary input when operating in single-ended mode. $V_{th} = (V_{IH} - V_{IL}) / 2$.

24. V_{IHD} , V_{ILD} , V_{ID} and V_{CMR} parameters must be complied with simultaneously.

25. V_{IHCMR} min varies 1:1 with V_{EE} , V_{IHCMR} max varies 1:1 with V_{CC} . The V_{IHCMR} range is referenced to the most positive side of the differential input signal.

NBSG86A

Table 13. AC CHARACTERISTICS

$V_{CC} = 0\text{ V}$; $V_{EE} = -3.465\text{ V}$ to -2.375 V or $V_{CC} = 2.375\text{ V}$ to 3.465 V ; $V_{EE} = 0\text{ V}$

Symbol	Characteristic	-40°C			25°C			85°C			Unit
		Min	Typ	Max	Min	Typ	Max	Min	Typ	Max	
f_{max}	Maximum Input Clock Frequency (See Figure 7) (Note 26)	7	8		7	8		7	8		GHz
V_{OUTPP}	Output Voltage Amplitude (OLS = V_{CC}) $f_{in} \leq 7\text{ GHz}$ $f_{in} = 8\text{ GHz}$	590 270	730 440		470 230	720 420		540 180	700 390		mV mV
t_{PLH} , t_{PHL}	Propagation Delay to Output Differential (Figure 16) D/SEL → Q	110	160	210	115	165	215	120	170	220	ps
t_{SKEW}	Duty Cycle Skew (Note 27)		5	15		5	15		5	15	ps
t_{SKEW}	Channel Skew Q → D/SEL		5	20		5	20		5	20	ps
t_S	Set-Up Time (Dx to SEL)	30			30			30			ps
t_H	Hold-Up Time (Dx to SEL)	35			35			35			ps
t_{JITTER}	RMS Random Clock Jitter (See Figure 7) (Note 29) Peak-to-Peak Data Dependent Jitter (Note 30) $f_{in} \leq 7\text{ GHz}$ $f_{in} \leq 7\text{ Gb/s}$		0.5 12	1.5		0.5 12	1.5		0.5 12	1.5	ps
V_{INPP}	Input Voltage Swing/Sensitivity (Differential Configuration) (Note 28)	75		2600	75		2600	75		2600	mV
t_r , t_f	Output Rise/Fall Times (20% – 80%) (Q, \bar{Q}) @ 1 GHz t_r t_f	30 17	45 35	60 65	30 17	45 35	60 65	30 17	45 35	60 65	ps

Product parametric performance is indicated in the Electrical Characteristics for the listed test conditions, unless otherwise noted. Product performance may not be indicated by the Electrical Characteristics if operated under different conditions.

26. Measured using a 500 mV source, 50% duty cycle clock source. All loading with $50\ \Omega$ to $V_{CC} - 2.0\text{ V}$. Input edge rates 40 ps (20% – 80%).

27. $t_{SKEW} = |t_{PLH} - t_{PHL}|$ for a nominal 50% differential clock input waveform. See Figure 16.

28. V_{INPP} (max) cannot exceed $V_{CC} - V_{EE}$.

29. Additive RMS jitter with 50% duty cycle clock signal at 7 GHz.

30. Additive Peak-to-Peak data dependent jitter with NRZ PRBS $2^{31}-1$ data rate at 7 Gb/s.

NBSG86A

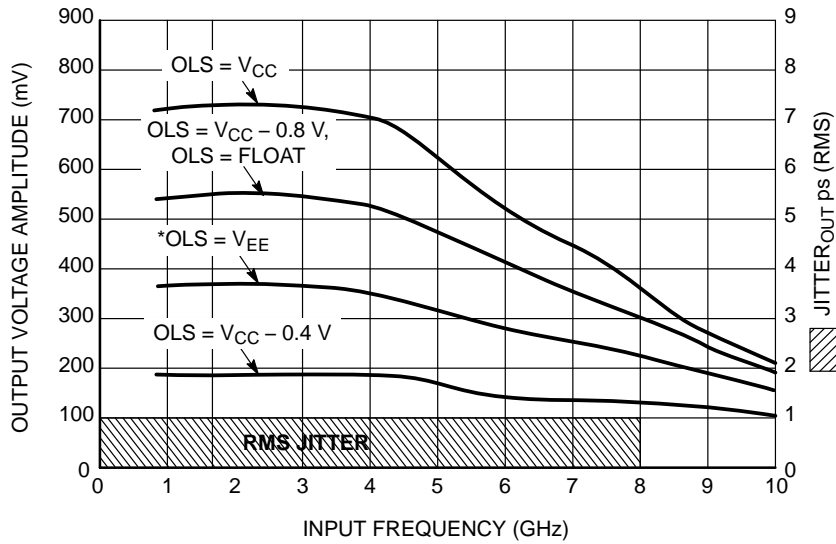


Figure 7. Output Voltage Amplitude (V_{OUTPP}) / RMS Jitter vs. Input Frequency (f_{in}) for 2:1 MUX Mode ($V_{CC} - V_{EE} = 2.5$ V @ 25°C; Repetitive 1010 Input Data Pattern)

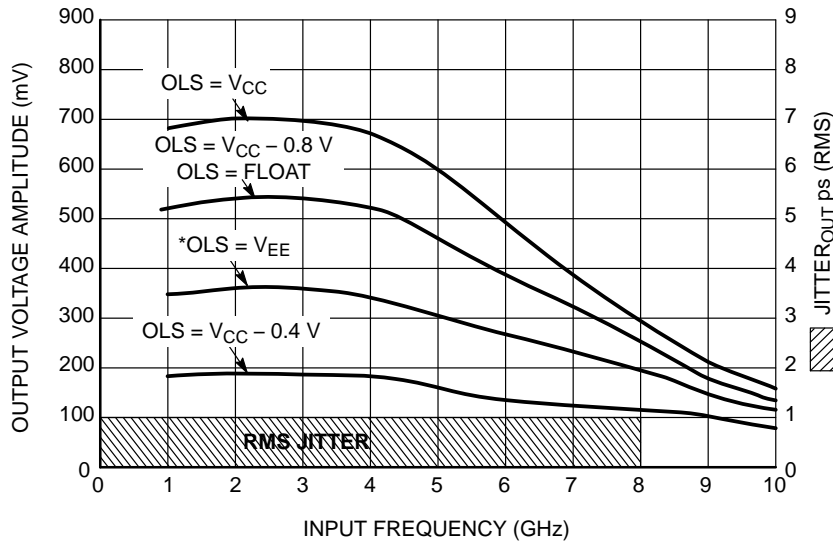


Figure 8. Output Voltage Amplitude (V_{OUTPP}) / RMS Jitter vs. Input Frequency (f_{in}) for 2:1 MUX Mode ($V_{CC} - V_{EE} = 3.3$ V @ 25°C; Repetitive 1010 Input Data Pattern)

*When an output level of 400 mV is desired and $V_{CC} - V_{EE} > 3.0$ V, a 2 k Ω resistor should be connected from OLS to V_{EE}.

NBSG86A

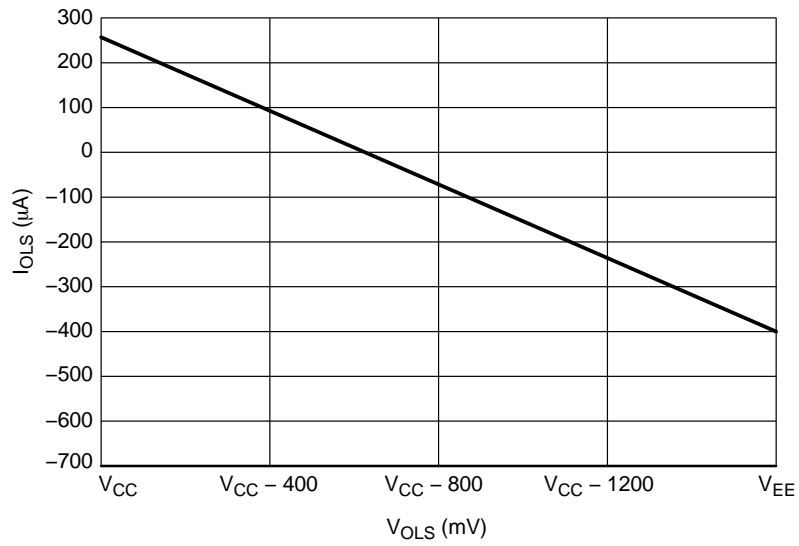


Figure 9. Typical OLS Input Current vs. OLS Input Voltage
 $(V_{CC} - V_{EE} = 3.3 \text{ V @ } 25^\circ\text{C})$

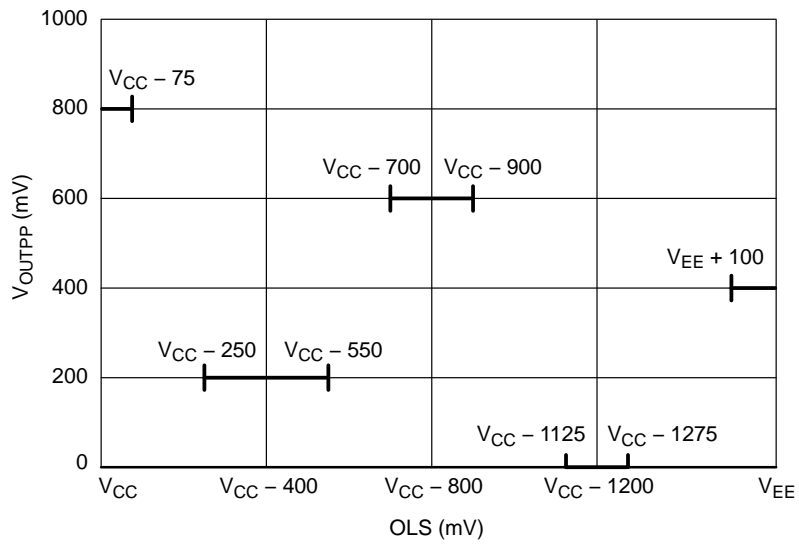


Figure 10. OLS Operating Area

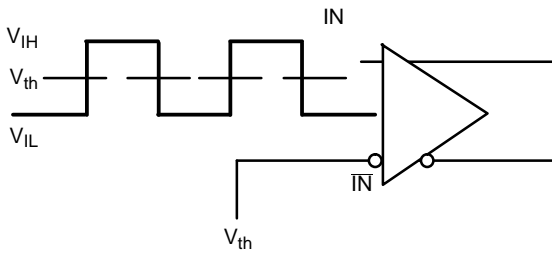


Figure 11. Differential Input Driven Single-Ended

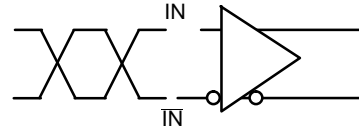


Figure 12. Differential Inputs Driven Differentially

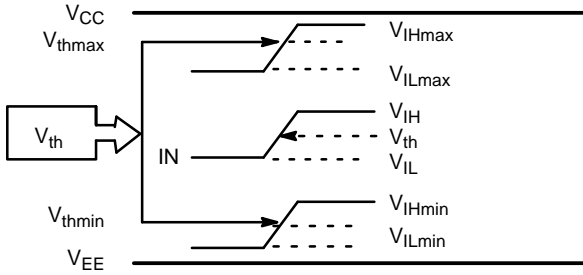


Figure 13. V_{th} Diagram

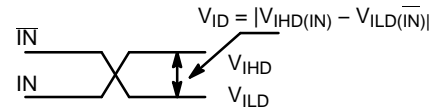


Figure 14. Differential Inputs Driven Differentially

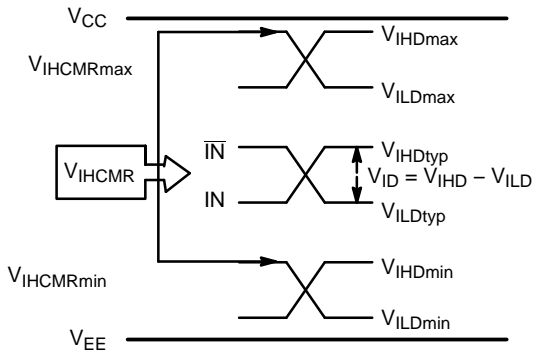


Figure 15. V_{IHCMR} Diagram

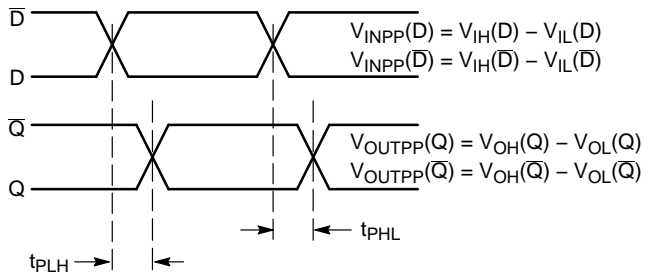


Figure 16. AC Reference Measurement

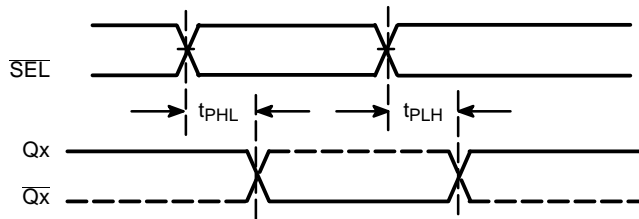


Figure 17. SELx to Qx Timing Diagram

NBSG86A

APPLICATION INFORMATION

All NBSG86A inputs can accept PECL, CML, LVTTTL, LVCMOS and LVDS signal levels. The limitations for differential input signal (LVDS, PECL, or CML) are minimum input swing of 75 mV and the maximum input swing of 2500 mV. Within these conditions, the input voltage can range from V_{CC} to 1.2 V. Examples interfaces are illustrated below in a 50 Ω environment ($Z = 50 \Omega$). For output termination and interface, refer to application note AND8020/D.

Table 14. INTERFACING OPTIONS

Interfacing Options	Connections
CML	Connect VTD and \overline{VTD} to V_{CC} (See Figure 18)
LVDS	Connect VTD and \overline{VTD} Together (See Figure 20)
AC-COUPLED	Bias VTD and \overline{VTD} Inputs within Common Mode Range (V_{CMR}) (See Figure 19)
RSECL, PECL, NECL	Standard ECL Termination Techniques (See Figure 22)
LVTTTL, LVCMOS	An External Voltage (V_{THR}) should be Applied to the Unused Complementary Differential Input. Nominal V_{THR} is 1.5 V for LVTTTL and $V_{CC} / 2$ for LVCMOS Inputs. This Voltage must be within the V_{THR} Specification. (See Figure 21)

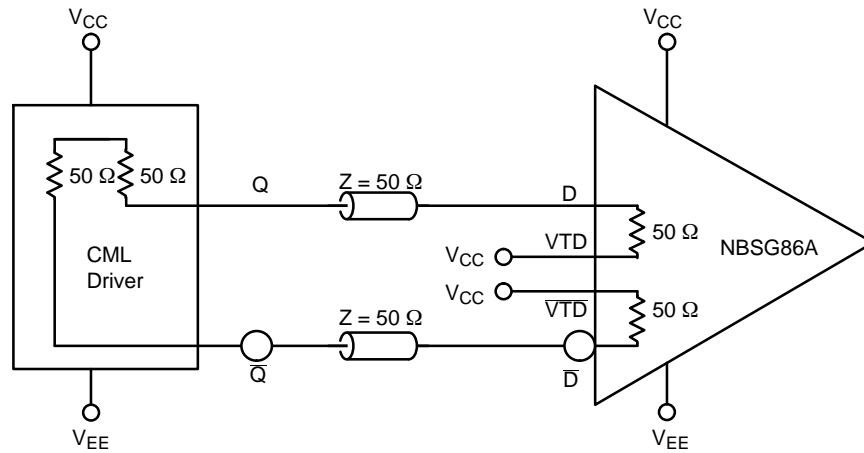


Figure 18. CML Interface

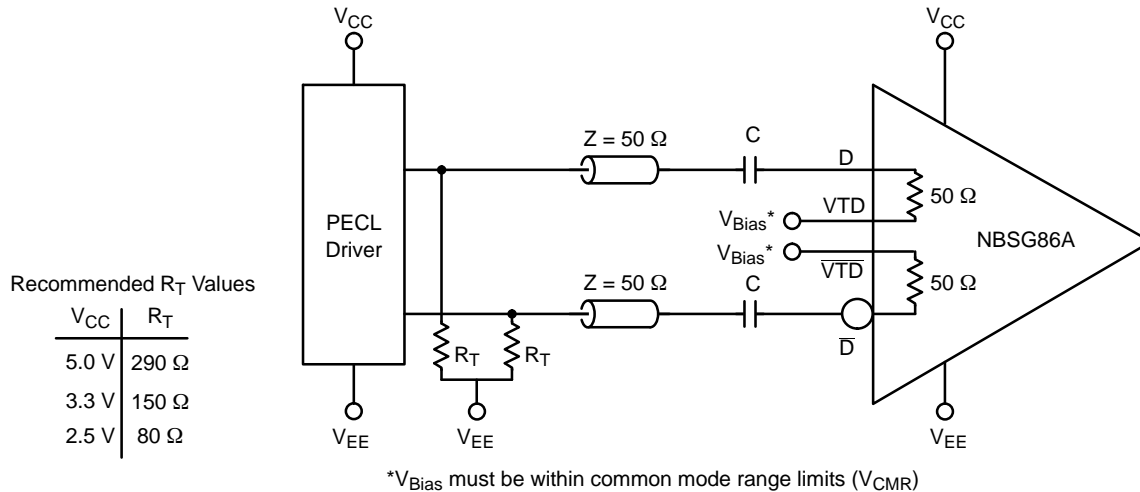


Figure 19. PECL Interface

NBSG86A

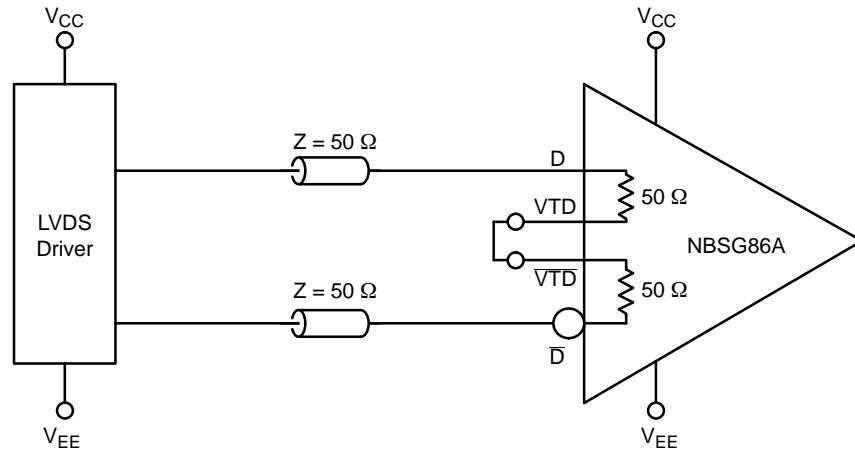


Figure 20. LVDS Interface

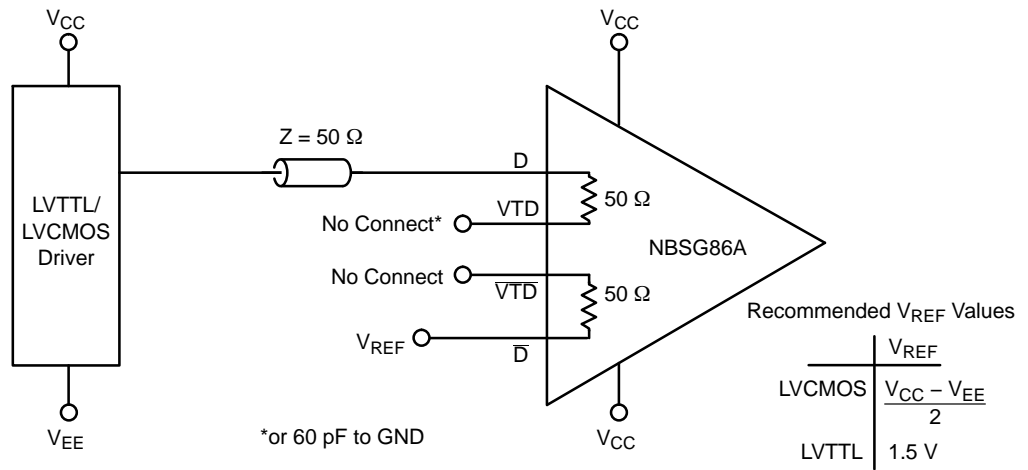


Figure 21. LVC MOS/LVTTL Interface

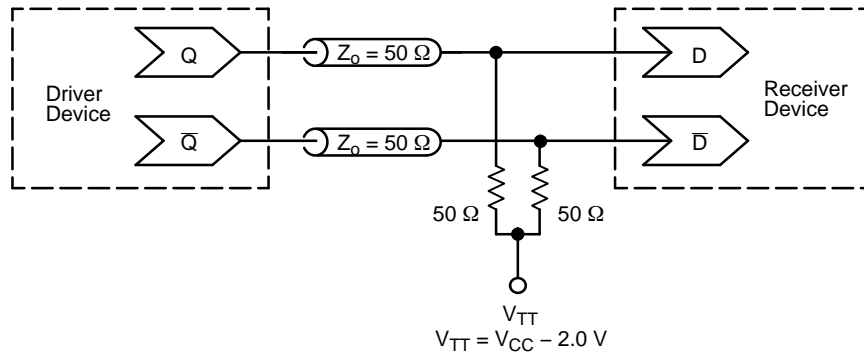


Figure 22. Typical Termination for Output Driver and Device Evaluation
(See Application Note AND8020/D – Termination of ECL Logic Devices.)

NBSG86A

ORDERING INFORMATION

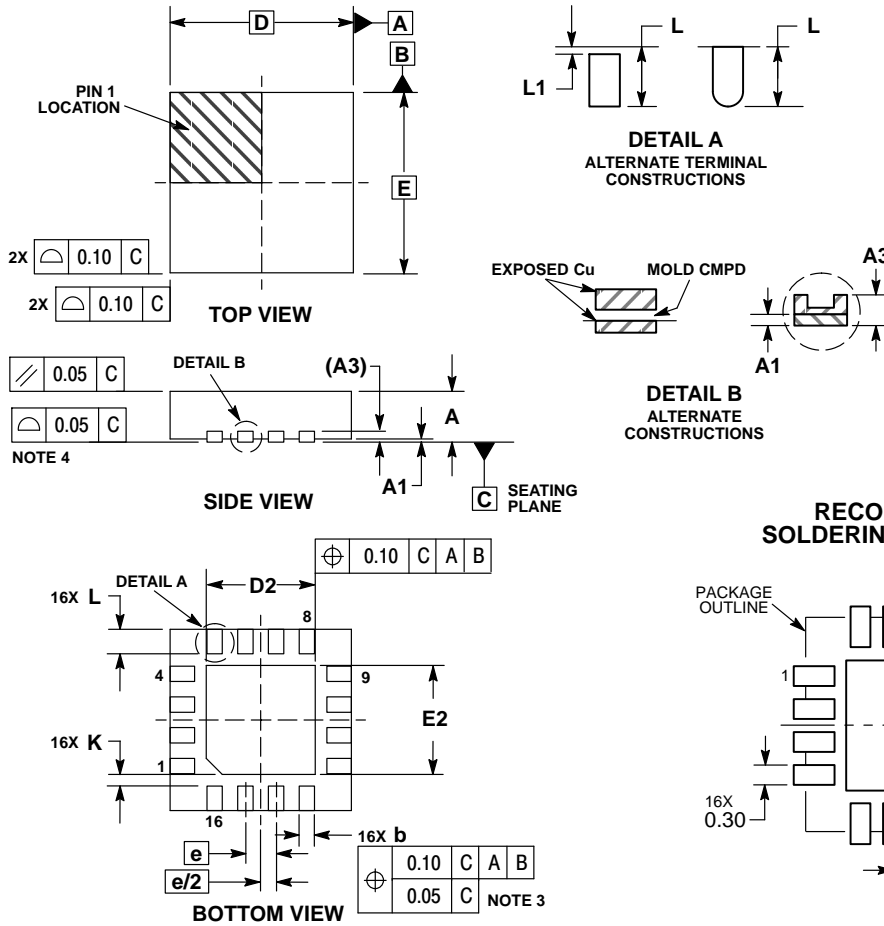
Device	Package Type	Shipping†
NBSG86AMNG	QFN16 (Pb-Free / Halide-Free)	123 Units / Rail
NBSG86AMNR2G	QFN16 (Pb-Free / Halide-Free)	3000 / Tape & Reel
NBSG86AMNHTBG	QFN16 (Pb-Free / Halide-Free)	100 / Tape & Reel

†For information on tape and reel specifications, including part orientation and tape sizes, please refer to our Tape and Reel Packaging Specifications Brochure, BRD8011/D.

NBSG86A

PACKAGE DIMENSIONS

QFN16 3x3, 0.5P CASE 485G ISSUE F



NOTES:

1. DIMENSIONING AND TOLERANCING PER ASME Y14.5M, 1994.
2. CONTROLLING DIMENSION: MILLIMETERS.
3. DIMENSION b APPLIES TO PLATED TERMINAL AND IS MEASURED BETWEEN 0.25 AND 0.30 MM FROM TERMINAL.
4. COPLANARITY APPLIES TO THE EXPOSED PAD AS WELL AS THE TERMINALS.

MILLIMETERS			
DIM	MIN	NOM	MAX
A	0.80	0.90	1.00
A1	0.00	0.03	0.05
A3	0.20 REF		
b	0.18	0.24	0.30
D	3.00 BSC		
D2	1.65	1.75	1.85
E	3.00 BSC		
E2	1.65	1.75	1.85
e	0.50 BSC		
K	0.18 TYP		
L	0.30	0.40	0.50
L1	0.00	0.08	0.15

*For additional information on our Pb-Free strategy and soldering details, please download the ON Semiconductor Soldering and Mounting Techniques Reference Manual, SOLDERRM/D.

GigaComm is a trademark of Semiconductor Components Industries, LLC.

ON Semiconductor and are trademarks of Semiconductor Components Industries, LLC dba ON Semiconductor or its subsidiaries in the United States and/or other countries. ON Semiconductor owns the rights to a number of patents, trademarks, copyrights, trade secrets, and other intellectual property. A listing of ON Semiconductor's product/patent coverage may be accessed at www.onsemi.com/site/pdf/Patent-Marking.pdf. ON Semiconductor reserves the right to make changes without further notice to any products herein. ON Semiconductor makes no warranty, representation or guarantee regarding the suitability of its products for any particular purpose, nor does ON Semiconductor assume any liability arising out of the application or use of any product or circuit, and specifically disclaims any and all liability, including without limitation special, consequential or incidental damages. Buyer is responsible for its products and applications using ON Semiconductor products, including compliance with all laws, regulations and safety requirements or standards, regardless of any support or applications information provided by ON Semiconductor. "Typical" parameters which may be provided in ON Semiconductor data sheets and/or specifications can and do vary in different applications and actual performance may vary over time. All operating parameters, including "Typicals" must be validated for each customer application by customer's technical experts. ON Semiconductor does not convey any license under its patent rights nor the rights of others. ON Semiconductor products are not designed, intended, or authorized for use as a critical component in life support systems or any FDA Class 3 medical devices or medical devices with a same or similar classification in a foreign jurisdiction or any devices intended for implantation in the human body. Should Buyer purchase or use ON Semiconductor products for any such unintended or unauthorized application, Buyer shall indemnify and hold ON Semiconductor and its officers, employees, subsidiaries, affiliates, and distributors harmless against all claims, costs, damages, and expenses, and reasonable attorney fees arising out of, directly or indirectly, any claim of personal injury or death associated with such unintended or unauthorized use, even if such claim alleges that ON Semiconductor was negligent regarding the design or manufacture of the part. ON Semiconductor is an Equal Opportunity/Affirmative Action Employer. This literature is subject to all applicable copyright laws and is not for resale in any manner.

PUBLICATION ORDERING INFORMATION

LITERATURE FULFILLMENT:

Literature Distribution Center for ON Semiconductor
19521 E. 32nd Pkwy, Aurora, Colorado 80011 USA
Phone: 303-675-2175 or 800-344-3860 Toll Free USA/Canada
Fax: 303-675-2176 or 800-344-3867 Toll Free USA/Canada
Email: orderlit@onsemi.com

N. American Technical Support: 800-282-9855 Toll Free
USA/Canada
Europe, Middle East and Africa Technical Support:
Phone: 421 33 790 2910

ON Semiconductor Website: www.onsemi.com

Order Literature: <http://www.onsemi.com/orderlit>

For additional information, please contact your local Sales Representative