

## MSP430i204x, MSP430i203x, MSP430i202x Mixed-Signal Microcontrollers

### 1 Device Overview

#### 1.1 Features

- Supply Voltage Range 2.2 V to 3.6 V
- 16-Bit RISC Architecture, up to 16.384-MHz System Clock
- Power Consumption
  - Active Mode (AM):  
All System Clocks Active  
275  $\mu$ A/MHz at 16.384-MHz, 3.0 V, Flash Program Execution (Typical)
  - Standby Mode (LPM3):  
Watchdog Timer Active, Full RAM Retention  
210  $\mu$ A at 3.0 V (Typical)
  - Off Mode (LPM4):  
Full RAM Retention  
70  $\mu$ A at 3.0 V (Typical)
  - Shutdown Mode (LPM4.5):  
75 nA at 3.0 V (Typical)
- Wake Up From Standby Mode in 1  $\mu$ s
- Memories
  - Up to 32KB of Flash Main Memory
  - 1KB of Flash Information Memory
  - Up to of 2KB of RAM
- Power Management System
  - Integrated LDO With 1.8-V Regulated Core Supply Voltage
  - Supply Voltage Monitor With Programmable Level Detection
  - Brownout Detector
  - Built-in Voltage Reference
  - Temperature Sensor
- Clock System
  - 16.384-MHz Internal DCO
  - DCO Operation With Internal or External Resistor
  - External Digital Clock Source
- Up to Four 24-Bit Sigma-Delta Analog-to-Digital Converters (ADCs) With Differential PGA Inputs
- Two 16-Bit Timers With Three Capture/Compare Registers Each
- Enhanced Universal Serial Communication Interfaces (eUSCIs)
  - eUSCI\_A0
    - Enhanced UART With Automatic Baud-Rate Detection
    - IrDA Encoder and Decoder
    - Synchronous SPI
  - eUSCI\_B0
    - Synchronous SPI
    - I<sup>2</sup>C
- 16-Bit Hardware Multiplier
- Serial Onboard Programming, No External Programming Voltage Needed
- Programmable Code Protection
- On-Chip Emulation Module
- Family Members are Summarized in [Section 3](#)
- Available in 28-Pin TSSOP (PW) and 32-Pin VQFN (RHB) Packages
- For Complete Module Descriptions, See the *MSP430i2xx Family User's Guide* ([SLAU335](#))

#### 1.2 Applications

- Metering
- Submetering
- Power Monitoring and Control
- Industrial Sensors



### 1.3 Description

The MSP430i204x, MSP430i203x, MSP430i202x devices consist of a powerful 16-bit RISC CPU, a DCO-based clock system that generates system clocks, a power management module (PMM) with built-in voltage reference and voltage monitor, two to four 24-bit sigma-delta analog-to-digital converters (ADCs), a temperature sensor, a 16-bit hardware multiplier, two 16-bit timers, one eUSCI-A module and one eUSCI-B module, a watchdog timer (WDT), and up to 16 I/O pins.

Device Information<sup>(1)</sup>

PART NUMBER	PACKAGE	BODY SIZE (NOM) <sup>(2)</sup>
MSP430i2041PW	TSSOP (28)	9.7 mm x 4.4 mm
MSP430i2041RHB	VQFN (32)	5 mm x 5 mm

- (1) For the most current part, package, and ordering information for all available devices, see the *Package Option Addendum* in Section 9, or see the TI web site at [www.ti.com](http://www.ti.com).
- (2) The sizes shown here are approximations. For the package dimensions with tolerances, see the *Mechanical Data* in Section 9.

### 1.4 Functional Block Diagram

Figure 1-1 shows the functional block diagram for the MSP430i204x devices in the RHB package. For the functional block diagrams of all device variants and packages, see Section 6.2.

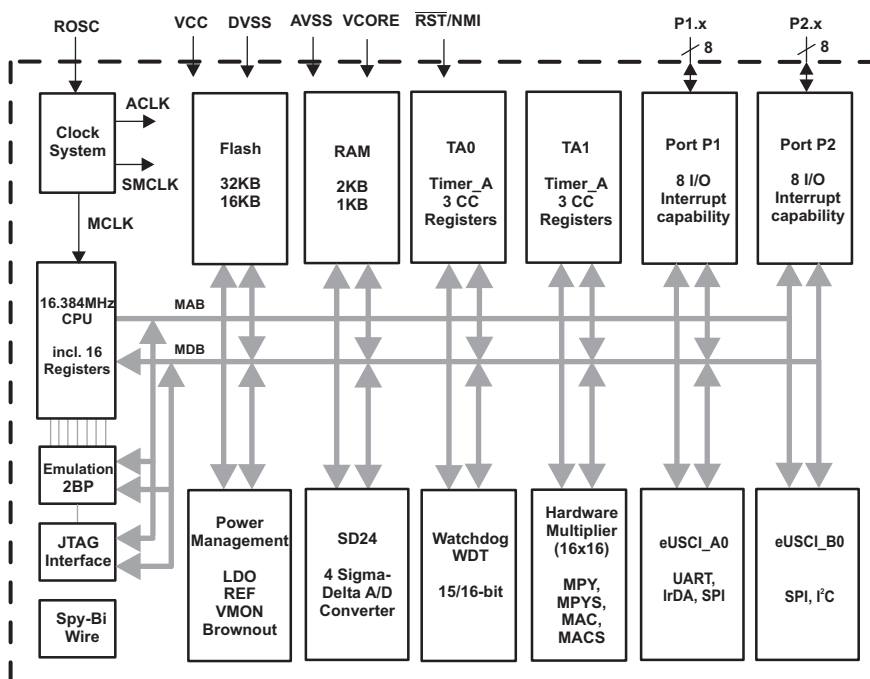


Figure 1-1. Functional Block Diagram - RHB Package - MSP430i204x

## Table of Contents

<b>1</b>	<b>Device Overview</b> .....	<b><a href="#">1</a></b>	6.2	Functional Block Diagrams.....	<b><a href="#">33</a></b>
1.1	Features .....	<b><a href="#">1</a></b>	6.3	CPU .....	<b><a href="#">36</a></b>
1.2	Applications.....	<b><a href="#">1</a></b>	6.4	Instruction Set.....	<b><a href="#">37</a></b>
1.3	Description.....	<b><a href="#">2</a></b>	6.5	Operating Modes.....	<b><a href="#">38</a></b>
1.4	Functional Block Diagram .....	<b><a href="#">2</a></b>	6.6	Interrupt Vector Addresses.....	<b><a href="#">39</a></b>
<b>2</b>	<b>Revision History</b> .....	<b><a href="#">3</a></b>	6.7	Special Function Registers.....	<b><a href="#">40</a></b>
<b>3</b>	<b>Device Comparison</b> .....	<b><a href="#">4</a></b>	6.8	Flash Memory .....	<b><a href="#">40</a></b>
<b>4</b>	<b>Terminal Configuration and Functions</b> .....	<b><a href="#">5</a></b>	6.9	JTAG Operation .....	<b><a href="#">41</a></b>
4.1	Pin Diagrams .....	<b><a href="#">5</a></b>	6.10	Peripherals .....	<b><a href="#">43</a></b>
4.2	Signal Descriptions.....	<b><a href="#">11</a></b>	6.11	Memory.....	<b><a href="#">55</a></b>
4.3	Pin Multiplexing .....	<b><a href="#">13</a></b>	6.12	Identification .....	<b><a href="#">59</a></b>
4.4	Connection of Unused Pins .....	<b><a href="#">13</a></b>	<b>7</b>	<b>Applications, Implementation, and Layout</b> .....	<b><a href="#">60</a></b>
<b>5</b>	<b>Specifications</b> .....	<b><a href="#">14</a></b>	<b>8</b>	<b>Device and Documentation Support</b> .....	<b><a href="#">62</a></b>
5.1	Absolute Maximum Ratings .....	<b><a href="#">14</a></b>	8.1	Device Support .....	<b><a href="#">62</a></b>
5.2	Handling Ratings .....	<b><a href="#">14</a></b>	8.2	Documentation Support .....	<b><a href="#">65</a></b>
5.3	Recommended Operating Conditions.....	<b><a href="#">14</a></b>	8.3	Related Links.....	<b><a href="#">65</a></b>
5.4	Active Mode Supply Current (Into $V_{CC}$ ) Excluding External Current .....	<b><a href="#">15</a></b>	8.4	Community Resources .....	<b><a href="#">65</a></b>
5.5	Low-Power Mode Supply Currents (Into $V_{CC}$ ) Excluding External Current .....	<b><a href="#">15</a></b>	8.5	Trademarks.....	<b><a href="#">66</a></b>
5.6	Timing and Switching Characteristics .....	<b><a href="#">16</a></b>	8.6	Electrostatic Discharge Caution.....	<b><a href="#">66</a></b>
<b>6</b>	<b>Detailed Description</b> .....	<b><a href="#">32</a></b>	8.7	Glossary .....	<b><a href="#">66</a></b>
6.1	Overview .....	<b><a href="#">32</a></b>	<b>9</b>	<b>Mechanical Packaging and Orderable Information</b> .....	<b><a href="#">66</a></b>
			9.1	Packaging Information .....	<b><a href="#">66</a></b>

## 2 Revision History

DATE	REVISION	NOTES
August 2014	*	Initial Release

### 3 Device Comparison

Family members available are summarized in [Table 3-1](#).

**Table 3-1. Device Comparison<sup>(1)</sup>**

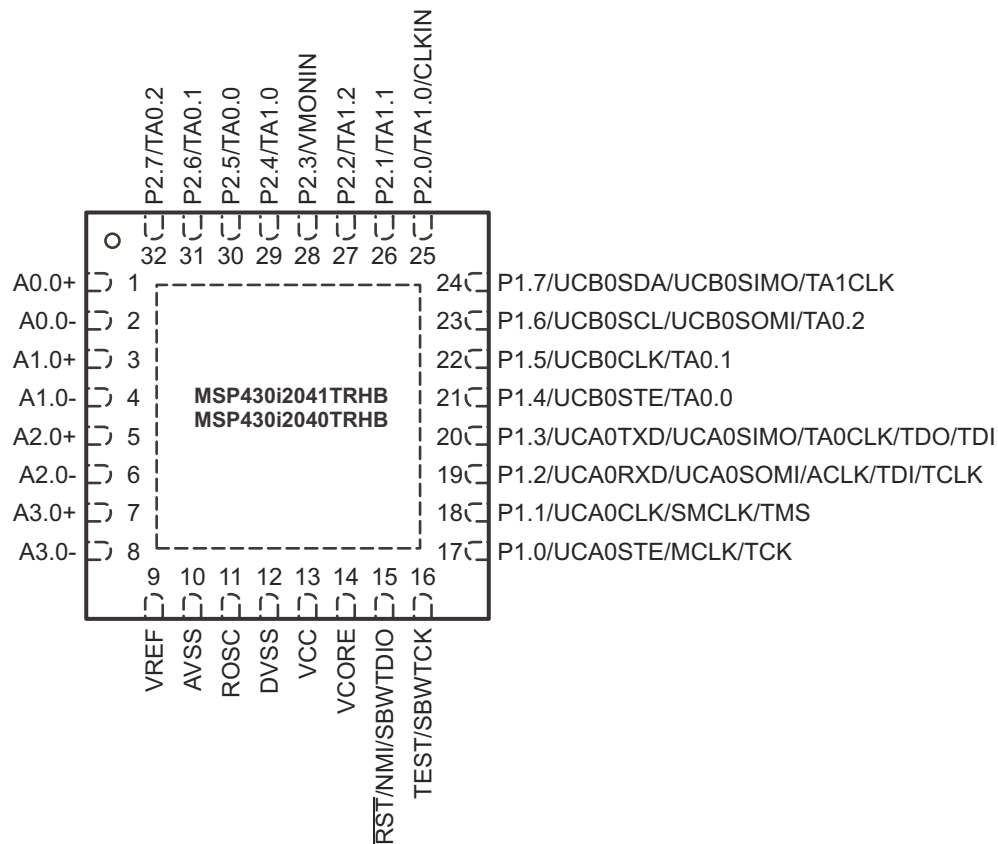
Device	Flash (KB)	SRAM (KB)	SD24 Converters	Multiplier	Timer_A <sup>(2)</sup>	eUSCI		I/O	Package Type
						Channel A: UART, IrDA, SPI	Channel B: SPI, I <sup>2</sup> C		
MSP430i2041	32	2	4	1	3, 3	1	1	16	32 RHB
								12	28 PW
MSP430i2040	16	1	4	1	3, 3	1	1	16	32 RHB
								12	28 PW
MSP430i2031	32	2	3	1	3, 3	1	1	16	32 RHB
								12	28 PW
MSP430i2030	16	1	3	1	3, 3	1	1	16	32 RHB
								12	28 PW
MSP430i2021	32	2	2	1	3, 3	1	1	16	32 RHB
								12	28 PW
MSP430i2020	16	1	2	1	3, 3	1	1	16	32 RHB
								12	28 PW

- (1) For the most current part, package, and ordering information for all available devices, see the *Package Option Addendum* in [Section 9](#), or see the TI web site at [www.ti.com](http://www.ti.com).
- (2) Each number in the sequence represents an instantiation of Timer\_A with its associated number of capture compare registers and PWM output generators available. For example, a number sequence of 3, 5 would represent two instantiations of Timer\_A, the first instantiation having 3 and the second instantiation having 5 capture compare registers and PWM output generators, respectively.

## 4 Terminal Configuration and Functions

### 4.1 Pin Diagrams

Figure 4-1 shows the pin assignments for the MSP430i2041 and MSP430i2040 devices in the RHB package.



NOTE: It is recommended to connect the thermal pad on the RHB package to DVSS.

**Figure 4-1. 32-Pin RHB Package (Top View) - MSP430i2041, MSP430i2040**

Figure 4-2 shows the pin assignments for the MSP430i2041 and MSP430i2040 devices in the PW package.

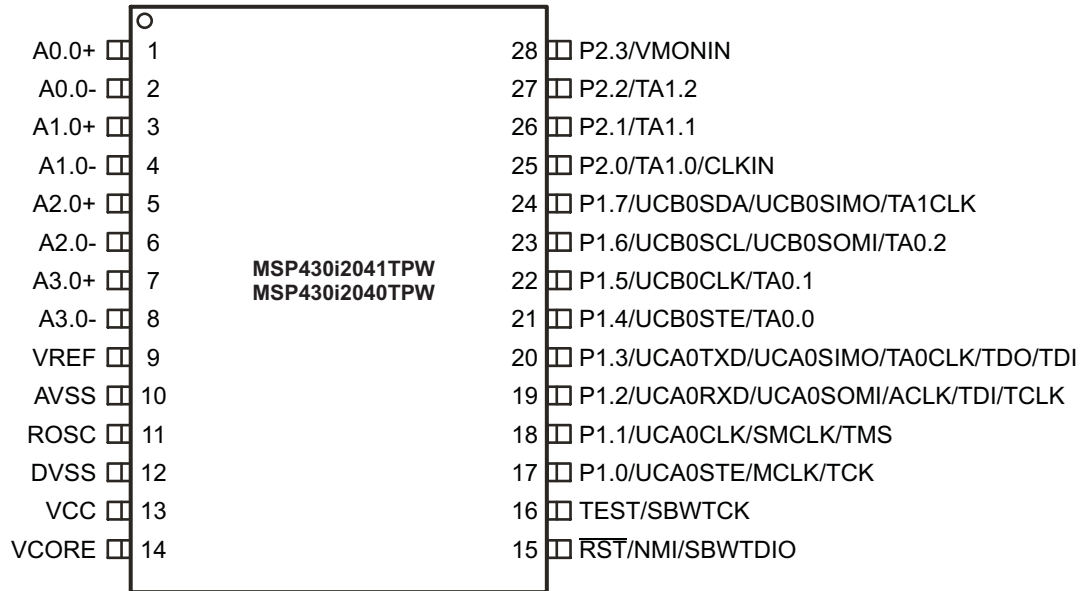
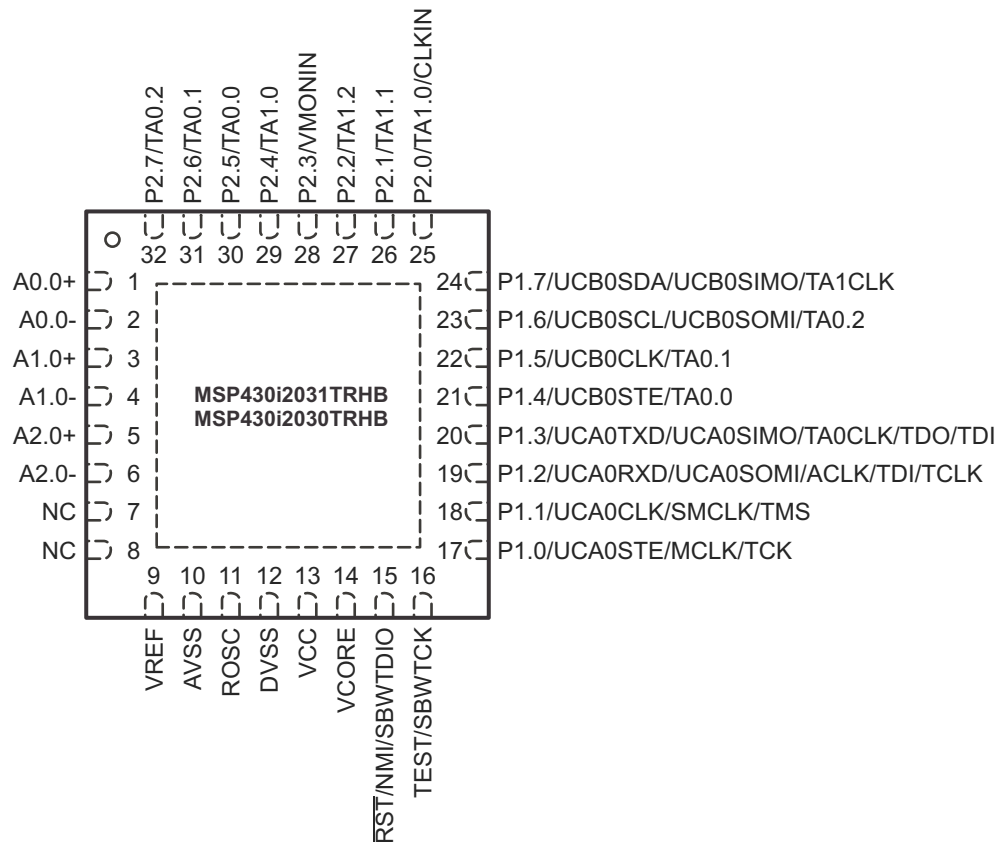


Figure 4-2. 28-Pin PW Package (Top View) - MSP430i2041, MSP430i2040

Figure 4-3 shows the pin assignments for the MSP430i2031 and MSP430i2030 devices in the RHB package.

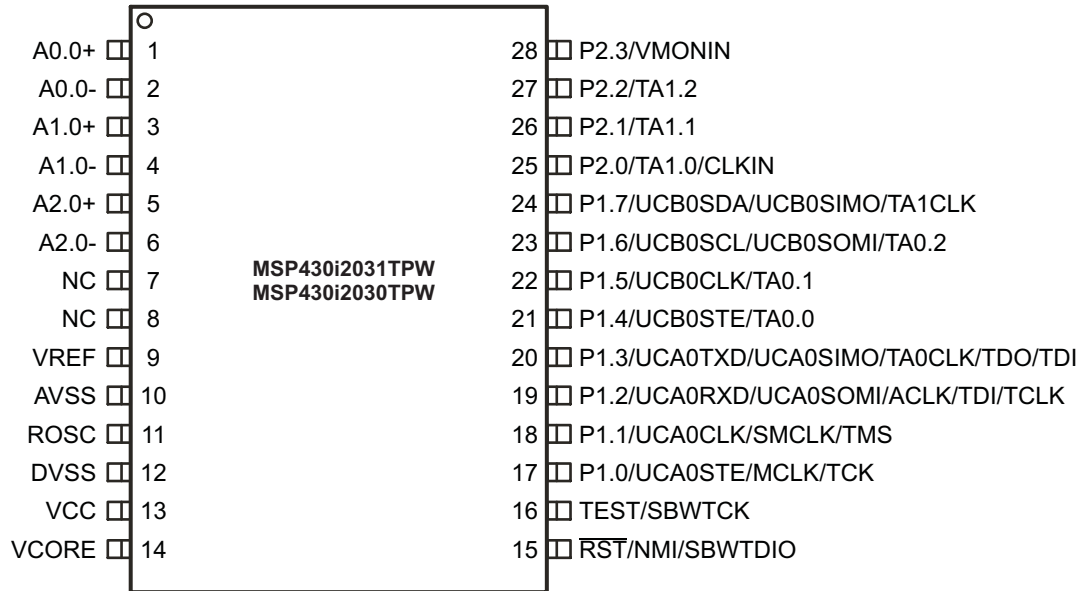


NOTE: It is recommended to connect the thermal pad on the RHB package to DVSS.

NOTE: It is recommended to connect NC pins to AVSS.

**Figure 4-3. 32-Pin RHB Package (Top View) - MSP430i2031, MSP430i2030**

Figure 4-4 shows the pin assignments for the MSP430i2031 and MSP430i2030 devices in the PW package.

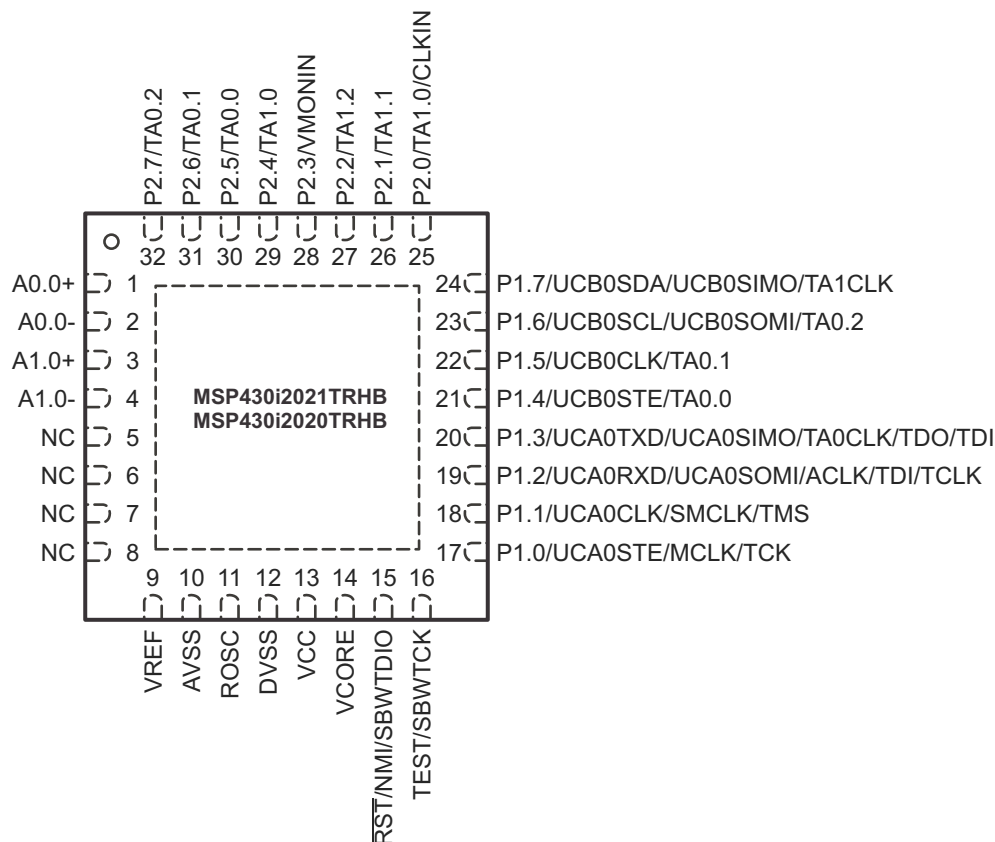


NOTE: It is recommended to connect NC pins to AVSS.

**Figure 4-4. 28-Pin PW Package (Top View) - MSP430i2031, MSP430i2030**



Figure 4-5 shows the pin assignments for the MSP430i2021 and MSP430i2020 devices in the RHB package.

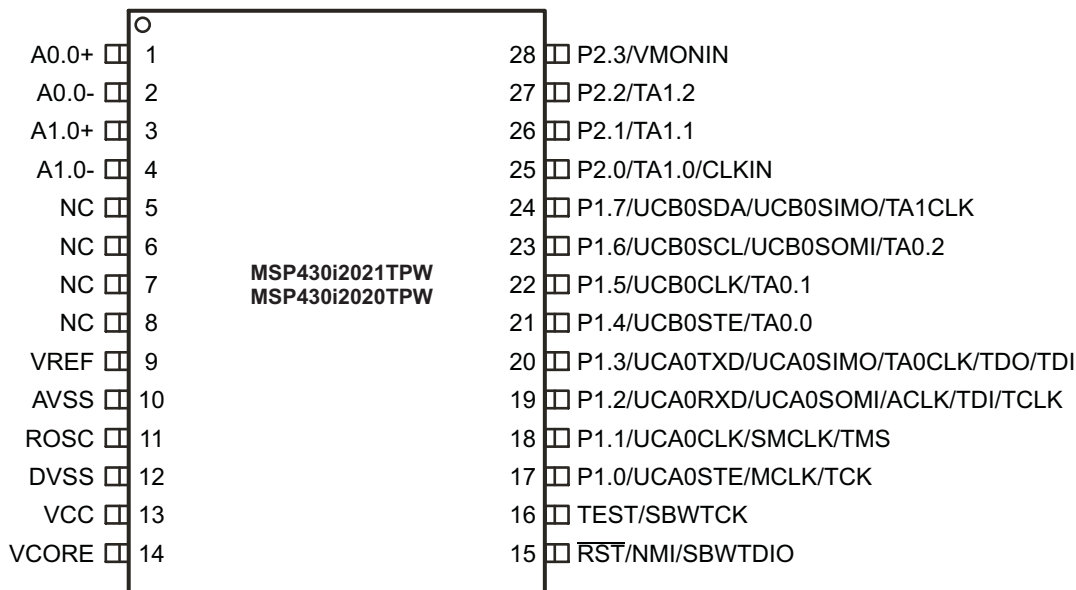


NOTE: It is recommended to connect the thermal pad on the RHB package to DVSS.

NOTE: It is recommended to connect NC pins to AVSS.

Figure 4-5. 32-Pin RHB Package (Top View) - MSP430i2021, MSP430i2020

Figure 4-5 shows the pin assignments for the MSP430i2021 and MSP430i2020 devices in the PW package.



NOTE: It is recommended to connect NC pins to AVSS.

**Figure 4-6. 28-Pin PW Package (Top View) - MSP430i2021, MSP430i2020**

## 4.2 Signal Descriptions

Table 4-1 describes the signals for all device variants and package options.

**Table 4-1. Signal Descriptions**

TERMINAL			I/O <sup>(1)</sup>	DESCRIPTION
NAME	NO. <sup>(2)</sup>			
	PW	RHB		
A0.0+	1	1	I	SD24 positive analog input A0.0. <sup>(3)</sup>
A0.0-	2	2	I	SD24 negative analog input A0.0. <sup>(3)</sup>
A1.0+	3	3	I	SD24 positive analog input A1.0. <sup>(3)</sup>
A1.0-	4	4	I	SD24 negative analog input A1.0. <sup>(3)</sup>
A2.0+	5	5	I	SD24 positive analog input A2.0. <sup>(3)(4)</sup>
A2.0-	6	6	I	SD24 negative analog input A2.0. <sup>(3)(4)</sup>
A3.0+	7	7	I	SD24 positive analog input A3.0. <sup>(3)(4)(5)</sup>
A3.0-	8	8	I	SD24 negative analog input A3.0. <sup>(3)(4)(5)</sup>
VREF <sup>(6)</sup>	9	9	I	SD24 external reference voltage input.
AVSS	10	10		Analog supply voltage, negative terminal.
ROSC	11	11		External resistor pin for DCO. Recommended resistor must be connected between ROSC and AVSS for DCO operation in external resistor mode. Recommended to connect ROSC to AVSS while operating DCO in internal resistor mode.
DVSS	12	12		Digital supply voltage, negative terminal.
VCC	13	13		Analog and digital supply voltage, positive terminal.
VCORE <sup>(7)</sup>	14	14		Regulated core power supply (internal use only, no external current loading).
$\overline{\text{RST}}$ /NMI/SBWT DIO	15	15	I/O	Reset or non-maskable interrupt input. Spy-Bi-Wire test data input/output for device programming and test.
TEST/SBWTCK	16	16	I	Selects test mode for JTAG pins on P1.0 to P1.3. Spy-Bi-Wire test clock input for device programming and test.
P1.0/UCA0STE/MCLK/TCK	17	17	I/O	General-purpose digital I/O pin. eUSCI_A0 SPI slave transmit enable (direction controlled by eUSCI). MCLK output. JTAG test clock. TCK is the clock input port for device programming and test.
P1.1/UCA0CLK/SMCLK/TMS	18	18	I/O	General-purpose digital I/O pin. eUSCI_A0 clock input/output (direction controlled by eUSCI). SMCLK output. JTAG test mode select. TMS is used as an input port for device programming and test.

(1) I = input, O = output

(2) N/A = not available

(3) It is recommended to short unused analog input pairs and connect them to analog ground (see Section 4.4 for recommendations on all unused pins).

(4) Not available on MSP430i2021 and MSP430i2020 devices.

(5) Not available on MSP430i2031 and MSP430i2030 devices.

(6) When SD24 operates with internal reference (SD24REFS = 1) the VREF pin must not be loaded externally. Only the recommended capacitor value, C<sub>VREF</sub> must be connected at VREF pin to AVSS (see Table 5-19).

(7) VCORE is for internal use only. No external current loading is possible. VCORE should only be connected to the recommended capacitor value, C<sub>VCORE</sub> (see Section 5.3).

**Table 4-1. Signal Descriptions (continued)**

TERMINAL			I/O <sup>(1)</sup>	DESCRIPTION
NAME	NO. <sup>(2)</sup>			
	PW	RHB		
P1.2/UCA0RXD/UCA0SOMI/ ACLK/TDI/TCLK	19	19	I/O	General-purpose digital I/O pin. eUSCI_A0 UART receive data or eUSCI_A0 SPI slave out/master in (direction controlled by eUSCI). ACLK output. JTAG test data input or test clock input for device programming and test.
P1.3/UCA0TXD/UCA0SIMO/ TA0CLK/TDO/TDI	20	20	I/O	General-purpose digital I/O pin. eUSCI_A0 UART transmit data or eUSCI_A0 SPI slave in/master out (direction controlled by eUSCI). Timer external clock input TACLK for TA0. JTAG test data output port. TDO/TDI data output or programming data input terminal.
P1.4/UCB0STE/TA0.0	21	21	I/O	General-purpose digital I/O pin. eUSCI_B0 SPI slave transmit enable (direction controlled by eUSCI). Timer TA0 CCR0 capture: CCI0A input, compare: Out0 output.
P1.5/UCB0CLK/TA0.1	22	22	I/O	General-purpose digital I/O pin. eUSCI_B0 clock input/output (direction controlled by eUSCI). Timer TA0 CCR1 capture: CCI1A input, compare: Out1 output.
P1.6/UCB0SCL/UCB0SOMI/ TA0.2	23	23	I/O	General-purpose digital I/O pin. eUSCI_B0 I <sup>2</sup> C clock or eUSCI_B0 SPI slave out/master in (direction controlled by eUSCI). Timer TA0 CCR2 capture: CCI2A input, compare: Out2 output.
P1.7/UCB0SDA/UCB0SIMO/ TA1CLK	24	24	I/O	General-purpose digital I/O pin. eUSCI_B0 I <sup>2</sup> C data or eUSCI_B0 slave input/master output (direction controlled by eUSCI). Timer external clock input TACLK for TA1.
P2.0/TA1.0/CLKIN	25	25	I/O	General-purpose digital I/O pin. Timer TA1 CCR0 capture: CCI0A input, compare: Out0 output. DCO bypass clock input.
P2.1/TA1.1	26	26	I/O	General-purpose digital I/O pin. Timer TA1 CCR1 capture: CCI1A input, compare: Out1 output.
P2.2/TA1.2	27	27	I/O	General-purpose digital I/O pin. Timer TA1 CCR2 capture: CCI2A input, compare: Out2 output.
P2.3/VMONIN	28	28	I/O	General-purpose digital I/O pin. Voltage monitor input.
P2.4/TA1.0 <sup>(8)</sup>	N/A	29	I/O	General-purpose digital I/O pin. Timer TA1 CCR0 capture: CCI0B input, compare: Out0 output.

(8) These pins are not available on the 28-pin PW package. It is necessary to program these four pins to output direction and drive value 0 in software.

**Table 4-1. Signal Descriptions (continued)**

TERMINAL			I/O <sup>(1)</sup>	DESCRIPTION
NAME	NO. <sup>(2)</sup>			
	PW	RHB		
P2.5/TA0.0 <sup>(8)</sup>	N/A	30	I/O	General-purpose digital I/O pin. Timer TA0 CCR0 capture: CCI0B input, compare: Out0 output.
P2.6/TA0.1 <sup>(8)</sup>	N/A	31	I/O	General-purpose digital I/O pin. Timer TA0 CCR1 compare: Out1 output.
P2.7/TA0.2 <sup>(8)</sup>	N/A	32	I/O	General-purpose digital I/O pin. Timer TA0 CCR2 compare: Out2 output.

### 4.3 Pin Multiplexing

Pin multiplexing for these devices is controlled by both register settings and operating modes (for example, if the device is in test mode). For details of the settings for each pin and schematics of the multiplexed ports, see [Section 6.10.10](#).

### 4.4 Connection of Unused Pins

The correct termination of all unused pins is listed in [Table 4-2](#).

**Table 4-2. Connection of Unused Pins<sup>(1)</sup>**

PIN	POTENTIAL	COMMENT
AVCC	DVCC	
AVSS	DVSS	
VREF	Open	
ROSC	AVSS	Connect ROSC pin to AVSS when DCO is used in internal resistor mode
Px.0 to Px.7	Open	Switched to port function, output direction
Ax.0+ and Ax.0-	AVSS	Short unused analog input pairs and connect them to analog ground
$\overline{\text{RST}}$ /NMI	DVCC or VCC	47-k $\Omega$ pullup with 10 nF (or 2.2 nF <sup>(2)</sup> ) pulldown
TEST	Open	This pin always has an internal pulldown enabled
P1.3/TDO P1.2/TDI P1.1/TMS P1.0/TCK	Open	The JTAG pins are shared with general-purpose I/O function (P1.x). If not being used, these should be switched to port function, output direction. When used as JTAG pins, these pins should remain open.

- (1) Any unused pin with a secondary function that is shared with general-purpose I/O should follow the Px.0 to Px.7 unused pin connection guidelines.
- (2) The pulldown capacitor should not exceed 2.2 nF when using devices with Spy-Bi-Wire interface in Spy-Bi-Wire mode or in 4-wire JTAG mode with TI tools like FET interfaces or GANG programmers.

## 5 Specifications

### 5.1 Absolute Maximum Ratings<sup>(1)</sup>

Voltage applied at VCC to DVSS	–0.3 V to 4.1 V
Voltage applied to any pin (excluding V <sub>CORE</sub> , RO <sub>SC</sub> ) <sup>(2)(3)</sup>	–0.3 V to V <sub>CC</sub> + 0.3 V
Diode current at any device pin	±2 mA
Maximum junction temperature, T <sub>J,MAX</sub>	115°C

- (1) Stresses beyond those listed under "absolute maximum ratings" may cause permanent damage to the device. These are stress ratings only, and functional operation of the device at these or any other conditions beyond those indicated under "recommended operating conditions" is not implied. Exposure to absolute-maximum-rated conditions for extended periods may affect device reliability.
- (2) All voltages referenced to V<sub>SS</sub>. V<sub>CORE</sub> is for internal device usage only. No external DC loading or voltage should be applied.
- (3) No external DC loading or voltage should be applied at RO<sub>SC</sub>. Recommended resistor should be connected at RO<sub>SC</sub> for use of DCO in external resistor mode. Recommended to connect RO<sub>SC</sub> to AV<sub>SS</sub> while operating DCO in internal resistor mode.

### 5.2 Handling Ratings

		MIN	MAX	UNIT
T <sub>stg</sub>	Storage temperature range <sup>(1)</sup>	-55	150	°C

- (1) Higher temperature may be applied during board soldering according to the current JEDEC J-STD-020 specification with peak reflow temperatures not higher than classified on the device label on the shipping boxes or reels.

### 5.3 Recommended Operating Conditions

			MIN	NOM	MAX	UNIT
V <sub>CC</sub>	Supply voltage during program execution and flash programming or erase (V <sub>CC</sub> = V <sub>CC</sub> )		2.2		3.6	V
V <sub>SS</sub>	Supply voltage (AV <sub>SS</sub> = DV <sub>SS</sub> = V <sub>SS</sub> )			0		V
T <sub>A</sub>	Operating free-air temperature	T version	–40		105	°C
T <sub>J</sub>	Operating junction temperature	T version	–40		105	°C
C <sub>V<sub>CORE</sub></sub>	Recommended capacitor at V <sub>CORE</sub>			470		nF
C <sub>V<sub>CC</sub></sub> / C <sub>V<sub>CORE</sub></sub>	Capacitor ratio of V <sub>CC</sub> to V <sub>CORE</sub>		10			
f <sub>SYSTEM</sub>	Processor frequency (maximum MCLK frequency) <sup>(1) (2)</sup>		0		16.384	MHz

- (1) The MSP430i CPU is clocked directly with MCLK.
- (2) Modules may have a different maximum input clock specification. Refer to the specification of the respective module in this data sheet.

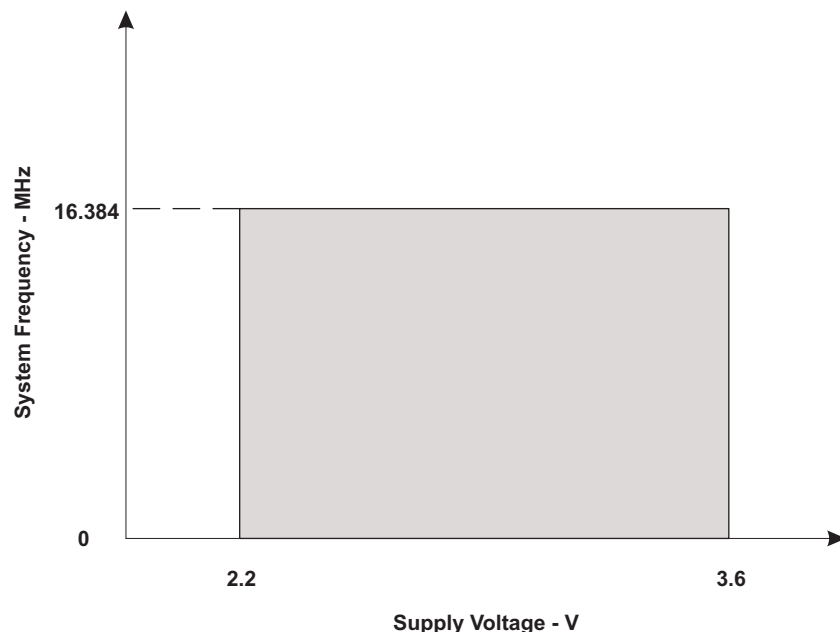


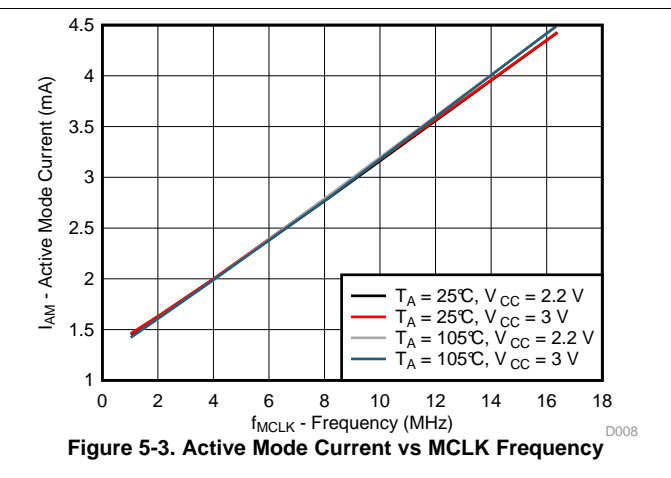
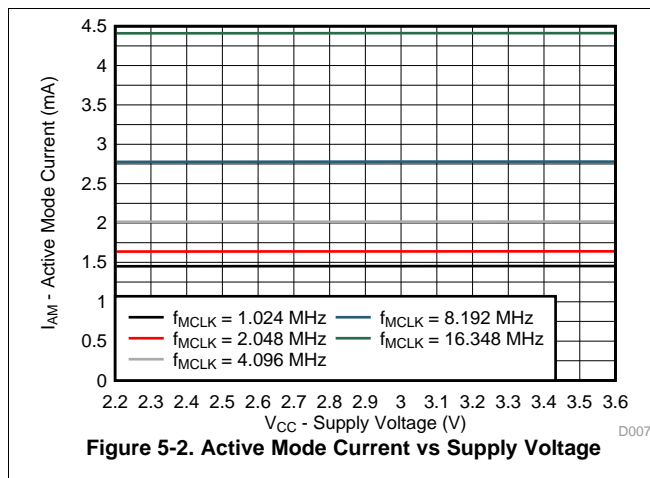
Figure 5-1. Maximum System Frequency

### 5.4 Active Mode Supply Current (Into $V_{CC}$ ) Excluding External Current<sup>(1) (2)</sup>

over recommended ranges of supply voltage and operating free-air temperature (unless otherwise noted)

PARAMETER		TEST CONDITIONS	$V_{CC}$	MIN	TYP	MAX	UNIT
$I_{AM, 1.024MHz}$	Active mode current at 1.024 MHz	$f_{DCO} = 16.384$ MHz, $f_{MCLK} = f_{SMCLK} = 1.024$ MHz, $f_{ACLK} = 32$ kHz, Program executes from flash, CPUOFF = 0, SCG0 = 0, SCG1 = 0, OSCOFF = 0	3 V		1.6		mA
$I_{AM, 8.192MHz}$	Active mode current at 8.192 MHz	$f_{DCO} = 16.384$ MHz, $f_{MCLK} = f_{SMCLK} = 8.192$ MHz, $f_{ACLK} = 32$ kHz, Program executes from flash, CPUOFF = 0, SCG0 = 0, SCG1 = 0, OSCOFF = 0	3 V		3.0		mA
$I_{AM, 16.384MHz}$	Active mode current at 16.384 MHz	$f_{DCO} = f_{MCLK} = f_{SMCLK} = 16.384$ MHz, $f_{ACLK} = 32$ kHz, Program executes from flash, CPUOFF = 0, SCG0 = 0, SCG1 = 0, OSCOFF = 0	3 V		4.5		mA

- (1) All inputs are tied to 0 V or  $V_{CC}$ . Outputs do not source or sink any current.  
(2) All peripherals are inactive.



### 5.5 Low-Power Mode Supply Currents (Into $V_{CC}$ ) Excluding External Current<sup>(1)</sup>

over recommended ranges of supply voltage and operating free-air temperature (unless otherwise noted)

PARAMETER		TEST CONDITIONS	$T_A$	$V_{CC}$	MIN	TYP	MAX	UNIT
$I_{LPM3}$	Low-power mode 3 (LPM3) current <sup>(2)</sup>	$f_{DCO} = 16.384$ MHz, $f_{MCLK} = f_{SMCLK} = 0$ MHz, $f_{ACLK} = 32$ kHz, CPUOFF = 1, SCG0 = 1, SCG1 = 1, OSCOFF = 0	25°C	3 V		210		$\mu$ A
$I_{LPM4}$	Low-power mode 4 (LPM4) current <sup>(3)</sup>	$f_{DCO} = f_{MCLK} = f_{SMCLK} = f_{ACLK} = 0$ MHz, CPUOFF = 1, SCG0 = 1, SCG1 = 1, OSCOFF = 1	25°C	3 V		70		$\mu$ A
$I_{LPM4.5}$	Low-power mode 4.5 (LPM4.5) current <sup>(3)</sup>	$f_{DCO} = f_{MCLK} = f_{SMCLK} = f_{ACLK} = 0$ MHz, REGOFF = 1, CPUOFF = 1, SCG0 = 1, SCG1 = 1, OSCOFF = 1	25°C	3 V		75		nA
			105°C			325		nA

- (1) All inputs are tied to 0 V or  $V_{CC}$ . Outputs do not source or sink any current.  
(2) Current for Watchdog Timer clocked by ACLK included. All other peripherals are inactive.  
(3) All peripherals are inactive.

## 5.6 Timing and Switching Characteristics

### 5.6.1 Reset Timing

**Table 5-1. Reset Timing**

over recommended ranges of supply voltage and operating free-air temperature (unless otherwise noted)

PARAMETER		MIN	MAX	UNIT
$t_{\text{RESET}}$	Pulse duration required at $\overline{\text{RST}}/\text{NMI}$ pin to accept a reset	4		$\mu\text{s}$

### 5.6.2 Clock Specifications

**Table 5-2. DCO in External Resistor Mode**

recommended resistor at ROSC Pin: 20 k $\Omega$ , 0.1%,  $\pm 50\text{ppm}/^\circ\text{C}$ <sup>(1)</sup>

over recommended ranges of supply voltage and operating free-air temperature (unless otherwise noted)

PARAMETER		TEST CONDITIONS	MIN	TYP	MAX	UNIT
$I_{\text{DCO}}$	DCO current consumption			85		$\mu\text{A}$
$f_{\text{DCO}}$	DCO frequency calibrated			16.384		MHz
	DCO absolute tolerance calibrated	$V_{\text{CC}} = 3\text{ V}, T_{\text{A}} = 25^\circ\text{C}$			$\pm 0.25\%$	
$df_{\text{DCO}}/dT$	DCO frequency temperature drift				$\pm 20$	$\text{ppm}/^\circ\text{C}$
$df_{\text{DCO}}/dV_{\text{C}}$	DCO frequency supply voltage drift			200	600	$\text{ppm}/\text{V}$
$\text{DC}_{\text{DCO}}$	Duty cycle			50%		
$T_{\text{dcoon}}$	DCO startup time			40		$\mu\text{s}$

(1) The maximum parasitic capacitance at ROSC pin should not exceed 5 pF to ensure the specified DCO startup time.

**Table 5-3. DCO in Internal Resistor Mode**

over recommended ranges of supply voltage and operating free-air temperature (unless otherwise noted)

PARAMETER		TEST CONDITIONS	MIN	TYP	MAX	UNIT
$I_{\text{DCO}}$	DCO current consumption			85		$\mu\text{A}$
$f_{\text{DCO}}$	DCO frequency calibrated			16.384		MHz
	DCO absolute tolerance calibrated	$V_{\text{CC}} = 3\text{ V}, T_{\text{A}} = 25^\circ\text{C}$			$\pm 0.9\%$	
$df_{\text{DCO}}/dT$	DCO frequency temperature drift				$\pm 200$	$\text{ppm}/^\circ\text{C}$
$df_{\text{DCO}}/dV_{\text{C}}$	DCO frequency supply voltage drift			200	600	$\text{ppm}/\text{V}$
$\text{DC}_{\text{DCO}}$	Duty cycle			50%		
$T_{\text{dcoon}}$	DCO startup time			40		$\mu\text{s}$

**Table 5-4. DCO Overall Tolerance Table**

over operating free-air temperature range (unless otherwise noted)

Resistor Option	Temperature Change	Temperature Drift (%)	Voltage change	Voltage Drift (%)	Overall Drift (%)	Overall Accuracy (%)
Internal resistor	-40°C to 105 °C	$\pm 2.9$	2.2 V to 3.6 V	$\pm 0.084$	$\pm 2.984$	$\pm 3.884$
	0°C	0	2.2 V to 3.6 V	$\pm 0.084$	$\pm 0.084$	$\pm 0.984$
	-40°C to 105 °C	$\pm 2.9$	0 V	0	$\pm 2.9$	$\pm 3.8$
External resistor with 50-ppm TCR	-40°C to 105 °C	$\pm 0.29$	2.2 V to 3.6 V	$\pm 0.084$	$\pm 0.374$	$\pm 0.624$
	0°C	0	2.2 V to 3.6 V	$\pm 0.084$	$\pm 0.084$	$\pm 0.334$
	-40°C to 105 °C	$\pm 0.29$	0 V	0	$\pm 0.29$	$\pm 0.54$



**Table 5-5. DCO in Bypass Mode Recommended Operating Conditions**

over recommended ranges of supply voltage and operating free-air temperature (unless otherwise noted)

PARAMETER		MIN	MAX	UNIT
$f_{\text{DCOBYP}}$	Frequency in DCO bypass mode <sup>(1)</sup>	0	16.384	MHz

(1) External digital clock frequency in DCO bypass mode must be 16.384 MHz for the SD24 module to meet the specified performance.

### 5.6.3 Wake-Up Characteristics

**Table 5-6. Wake-Up From Low Power Modes**

over recommended ranges of supply voltage and operating free-air temperature (unless otherwise noted)

PARAMETER		TEST CONDITIONS	MIN	TYP	MAX	UNIT
$t_{\text{WAKE-UP-LPM3}}$	Wake-up time from LPM3 to active mode	MCLK = SMCLK = 1.024 MHz		1		$\mu\text{s}$
$t_{\text{WAKE-UP-LPM4}}$	Wake-up time from LPM4 to active mode	MCLK = SMCLK = 1.024 MHz		35		$\mu\text{s}$
$t_{\text{WAKE-UP-LPM4.5-IO}}$	Wake-up time from LPM4.5 to active mode upon I/O event <sup>(1)</sup>	$C_{\text{VCORE}} = 470 \text{ nF}$		0.45		ms
$t_{\text{WAKE-UP-LPM4.5-RESET}}$	Wake-up time from LPM4.5 to active mode upon external reset ( $\overline{\text{RST}}$ ) <sup>(1)</sup>	$C_{\text{VCORE}} = 470 \text{ nF}$		0.45		ms

(1) This value represents the time from the wake up event to the reset vector execution by CPU.

## 5.6.4 I/O Ports

**Table 5-7. Schmitt-Trigger Inputs - General Purpose I/O**

over recommended ranges of supply voltage and operating free-air temperature (unless otherwise noted)

PARAMETER	TEST CONDITIONS	V <sub>CC</sub>	MIN	TYP	MAX	UNIT
V <sub>IT+</sub> Positive-going input threshold voltage			0.5 V <sub>CC</sub>		0.7 V <sub>CC</sub>	V
		3 V	1.50		2.10	
V <sub>IT-</sub> Negative-going input threshold voltage			0.25 V <sub>CC</sub>		0.55 V <sub>CC</sub>	V
		3 V	0.75		1.65	
V <sub>hys</sub> Input voltage hysteresis (V <sub>IT+</sub> – V <sub>IT-</sub> )		3 V	0.4		1.1	V
C <sub>I</sub> Input capacitance	V <sub>IN</sub> = V <sub>SS</sub> or V <sub>CC</sub>			5		pF

**Table 5-8. Inputs – Ports P1 and P2**

over recommended ranges of supply voltage and operating free-air temperature (unless otherwise noted)

PARAMETER	TEST CONDITIONS	V <sub>CC</sub>	MIN	MAX	UNIT
t <sub>(int)</sub> External interrupt timing <sup>(1)</sup>	Port P1, P2: P1.x to P2.x, External trigger pulse duration to set interrupt flag	3 V	20		ns

- (1) An external signal sets the interrupt flag every time the minimum interrupt pulse duration t<sub>(int)</sub> is met. It may be set by trigger signals shorter than t<sub>(int)</sub>.

**Table 5-9. Leakage Current - General Purpose I/O**

over recommended ranges of supply voltage and operating free-air temperature (unless otherwise noted)

PARAMETER	TEST CONDITIONS	V <sub>CC</sub>	MIN	MAX	UNIT
I <sub>lkg(Py.x)</sub> High-impedance leakage current	See <sup>(1)</sup> <sup>(2)</sup>	3 V		±50	nA

- (1) The leakage current is measured with V<sub>SS</sub> or V<sub>CC</sub> applied to the corresponding pins, unless otherwise noted.  
(2) The leakage of the digital port pins is measured individually. The port pin is selected for input.

**Table 5-10. Outputs – General Purpose I/O**

over recommended ranges of supply voltage and operating free-air temperature (unless otherwise noted)

PARAMETER	TEST CONDITIONS	V <sub>CC</sub>	MIN	MAX	UNIT
V <sub>OH</sub> High-level output voltage	I <sub>(OHmax)</sub> = –6 mA <sup>(1)</sup>	3.0 V	V <sub>CC</sub> – 0.60	V <sub>CC</sub>	V
V <sub>OL</sub> Low-level output voltage	I <sub>(OLmax)</sub> = 6 mA <sup>(1)</sup>	3.0 V	V <sub>SS</sub>	V <sub>SS</sub> + 0.60	V

- (1) The maximum total current, I<sub>(OHmax)</sub> and I<sub>(OLmax)</sub>, for all outputs combined, should not exceed ±100 mA to hold the maximum voltage drop specified.

**Table 5-11. Output Frequency - General Purpose I/O**

over recommended ranges of supply voltage and operating free-air temperature (unless otherwise noted)

PARAMETER	TEST CONDITIONS	V <sub>CC</sub>	TYP	UNIT
f <sub>Py.x</sub> Port output frequency (with load)	Py.x, C <sub>L</sub> = 20 pF, R <sub>L</sub> = 3.2 kΩ <sup>(1)</sup> <sup>(2)</sup>	3 V	16.384	MHz
f <sub>Port_CLK</sub> Clock output frequency	Py.x, C <sub>L</sub> = 20 pF <sup>(2)</sup>	3 V	16.384	MHz

- (1) A resistive divider with two times 1.6 kΩ between V<sub>CC</sub> and V<sub>SS</sub> is used as load. The output is connected to the center tap of the divider.  
(2) The output voltage reaches at least 10% and 90% of V<sub>CC</sub> at the specified toggle frequency.

### 5.6.4.1 Typical Characteristics - Outputs

One output loaded at a time.

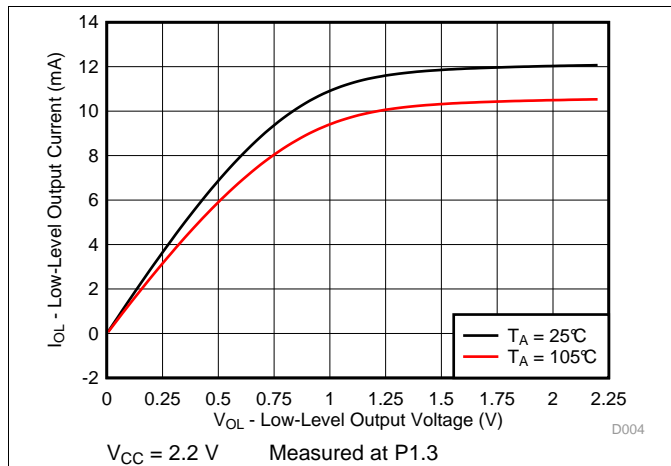


Figure 5-4. Typical Low-Level Output Current vs Low-Level Output Voltage

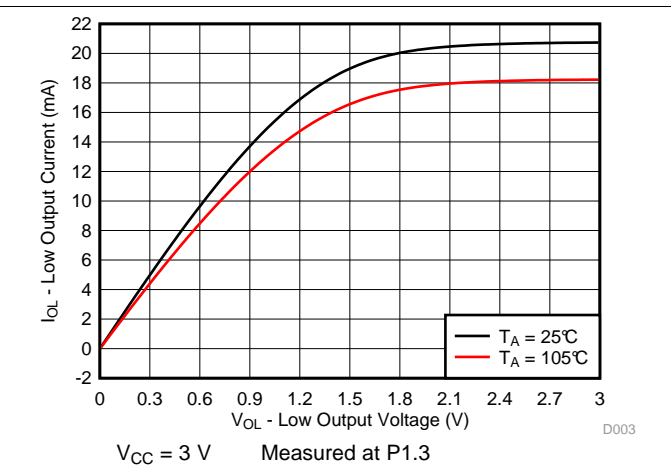


Figure 5-5. Typical Low-Level Output Current vs Low-Level Output Voltage

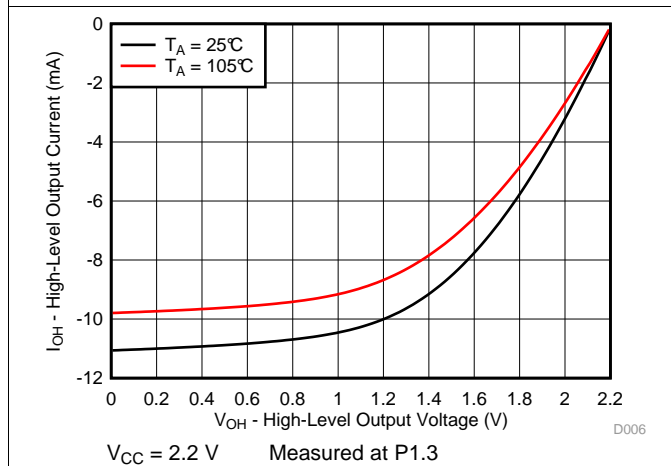


Figure 5-6. Typical High-Level Output Current vs High-Level Output Voltage

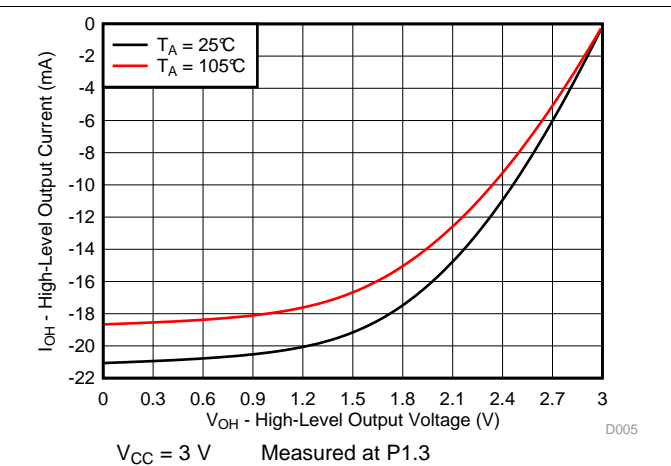


Figure 5-7. Typical High-Level Output Current vs High-Level Output Voltage

## 5.6.5 Power Management Module

**Table 5-12. PMM, High-Side Brown-Out Reset (BORH)**

over recommended ranges of supply voltage and operating free-air temperature (unless otherwise noted)

PARAMETER		TEST CONDITIONS	MIN	TYP	MAX	UNIT
V(V <sub>CC_BOR_IT-</sub> )	BOR <sub>H</sub> on voltage, V <sub>CC</sub> falling level	dV <sub>CC</sub> /dt  < 3 V/s		1.08		V
V(V <sub>CC_BOR_IT+</sub> )	BOR <sub>H</sub> off voltage, V <sub>CC</sub> rising level	dV <sub>CC</sub> /dt  < 3 V/s		1.18		V
V(V <sub>CC_BOR_hys</sub> )	BOR <sub>H</sub> hysteresis			100		mV
t <sub>POWERUP</sub> <sup>(1)</sup>	Cold power-up time				0.75	ms

(1) This is the time duration between application of V<sub>CC</sub> and execution of reset vector by CPU.

**Table 5-13. PMM, Low-Side SVS (SVSL)**

over recommended ranges of supply voltage and operating free-air temperature (unless otherwise noted)

PARAMETER		MIN	TYP	MAX	UNIT
V(SVSL)	SVSL trip voltage on V <sub>CORE</sub>		1.70		V
V(SVSL_hys)	SVSL hysteresis		14		mV
I(SVSL)	SVSL current consumption		3		μA

**Table 5-14. PMM, Core Voltage**

over recommended ranges of supply voltage and operating free-air temperature (unless otherwise noted)

PARAMETER		MIN	TYP	MAX	UNIT
V <sub>CORE</sub>	Core voltage		1.83		V

**Table 5-15. PMM, Voltage Monitor (VMON)**

over recommended ranges of supply voltage and operating free-air temperature (unless otherwise noted)

PARAMETER		TEST CONDITIONS	MIN	TYP	MAX	UNIT
VMON <sub>trip_level</sub>	VMONIN trip level	VMONLVLx = 111b		1.17		V
	VCC trip level - 1	VMONLVLx = 001b		2.32		
	VCC trip level - 2	VMONLVLx = 010b		2.62		
	VCC trip level - 3	VMONLVLx = 011b		2.82		
I <sub>VMON</sub>	VMON current consumption			6		μA
t <sub>VMON</sub>	VMON settling time			0.5		μs

### 5.6.6 Reference Module

**Table 5-16. Voltage Reference (REF)**

over recommended ranges of supply voltage and operating free-air temperature (unless otherwise noted)

PARAMETER		TEST CONDITIONS	MIN	TYP	MAX	UNIT
V <sub>CC</sub>	Supply voltage range		2.2		3.6	V
V <sub>BG</sub>	Bandgap output voltage calibrated	V <sub>CC</sub> = 3 V	1.146	1.158	1.17	V
PSRR <sub>DC</sub>	Power supply rejection ratio (dc)	V <sub>CC</sub> = 2.2 V to 3.6 V		50		μV/V
PSRR <sub>AC</sub>	Power supply rejection ratio (ac)	V <sub>CC</sub> = 2.2 V to 3.6 V, f = 1 kHz, ΔV <sub>pp</sub> = 100 mV		0.35		mV/V
dV <sub>BG</sub> /dT	Bandgap reference temperature coefficient	V <sub>CC</sub> = 3 V		10	50	ppm/°C

**Table 5-17. Temperature Sensor**

over recommended ranges of supply voltage and operating free-air temperature (unless otherwise noted)

PARAMETER		TEST CONDITIONS	MIN	TYP	MAX	UNIT
V <sub>sensor</sub>	Temperature sensor output voltage	V <sub>CC</sub> = 3 V, T <sub>A</sub> = 30°C	610	650	690	mV
		V <sub>CC</sub> = 3 V, T <sub>A</sub> = 105°C	765	805	845	
I <sub>sensor</sub>	Temperature sensor quiescent current consumption			3		uA
TC <sub>sensor</sub>	Temperature coefficient of sensor		1.96	2.07	2.17	mV/°C

## 5.6.7 SD24

**Table 5-18. SD24, Power Supply and Recommended Operating Conditions**

over operating free-air temperature range (unless otherwise noted)

PARAMETER		TEST CONDITIONS	V <sub>CC</sub>	MIN	TYP	MAX	UNIT
V <sub>CC</sub>	Supply voltage range	AVSS = DVSS = 0 V		2.2		3.6	V
I <sub>SD24</sub>	Analog plus digital supply current per converter (reference current not included)	SD24OSRx = 256	3 V	GAIN: 1, 2, 4, 8, 16		190	μA
				GAIN: 1, 16		250	

**Table 5-19. SD24, Internal Voltage Reference<sup>(1)</sup>**

over operating free-air temperature range (unless otherwise noted)

PARAMETER		TEST CONDITIONS	V <sub>CC</sub>	MIN	TYP	MAX	UNIT
V <sub>SD24REF</sub>	SD24 internal reference voltage	SD24REFS = 1	3 V	1.146	1.158	1.17	V
C <sub>VREF</sub>	Recommended capacitor at VREF			100			nF
t <sub>SD24REF_settle</sub>	SD24 reference buffer settling time	SD24REFS = 0 → 1, C <sub>VREF</sub> = 100 nF		200			μs

(1) When SD24 operates with internal reference (SD24REFS = 1), the VREF pin must not be loaded externally. Only the recommended capacitor value, C<sub>VREF</sub> must be connected at the VREF pin to AVSS.

**Table 5-20. SD24, External Voltage Reference**

over operating free-air temperature range (unless otherwise noted)

PARAMETER		TEST CONDITIONS	V <sub>CC</sub>	MIN	TYP	MAX	UNIT
V <sub>REF(I)</sub>	Input voltage range	SD24REFS = 0	3 V	1.0	1.2	1.5	V
I <sub>REF(I)</sub>	Input current	SD24REFS = 0	3 V			50	nA

**Table 5-21. SD24, Input Range<sup>(1)</sup>**

over operating free-air temperature range (unless otherwise noted)

PARAMETER		TEST CONDITIONS	V <sub>CC</sub>	MIN	TYP	MAX	UNIT
V <sub>ID,FSR</sub>	Differential full-scale input voltage range	V <sub>ID</sub> = V <sub>I,A+</sub> - V <sub>I,A-</sub>		-V <sub>REF</sub> /GAIN		+V <sub>REF</sub> /GAIN	V
V <sub>ID</sub>	Differential input voltage range for specified performance <sup>(2)</sup>	SD24REFS = 1		SD24GAINx = 1		±928	mV
				SD24GAINx = 2		±464	
				SD24GAINx = 4		±232	
				SD24GAINx = 8		±116	
				SD24GAINx = 16		±58	
Z <sub>I</sub>	Input impedance (pin A+ or A- to AV <sub>SS</sub> ) <sup>(3)</sup>	SD24GAINx = 1, 16	3 V	200			kΩ
Z <sub>ID</sub>	Differential input impedance (pin A+ to pin A-) <sup>(3)</sup>	SD24GAINx = 1, 16	3 V	300	400		kΩ
V <sub>I</sub>	Absolute input voltage range			AVSS - 1		VCC	V
V <sub>IC</sub>	Common-mode input voltage range			AVSS - 1		VCC	V

(1) All parameters pertain to each SD24 channel.

(2) The full-scale range is defined by V<sub>FSR+</sub> = +V<sub>REF</sub>/GAIN and V<sub>FSR-</sub> = -V<sub>REF</sub>/GAIN; FSR = V<sub>FSR+</sub> - V<sub>FSR-</sub> = 2xV<sub>REF</sub>/GAIN. If VREF is sourced externally, the analog input range should not exceed 80% of V<sub>FSR+</sub> or V<sub>FSR-</sub>; that is, V<sub>ID</sub> = 0.8 V<sub>FSR-</sub> to 0.8 V<sub>FSR+</sub>. If VREF is sourced internally, the given V<sub>ID</sub> ranges apply.

(3) Applicable for SD24 modulator OFF as well as ON conditions.

**Table 5-22. SD24, Performance - Internal Reference (SD24REFS = 1, SD24OSRx = 256)**

over operating free-air temperature range (unless otherwise noted)

PARAMETER		TEST CONDITIONS	V <sub>CC</sub>	MIN	TYP	MAX	UNIT
SINAD	Signal-to-noise + distortion ratio	SD24GAINx = 1	3 V	84	89		dB
		SD24GAINx = 2					
		SD24GAINx = 4					
		SD24GAINx = 8					
		SD24GAINx = 16					
		f <sub>IN</sub> = 50 Hz <sup>(1)</sup>					
THD	Total harmonic distortion	SD24GAINx = 1	3 V		100		dB
		SD24GAINx = 8					
		SD24GAINx = 16					
		f <sub>IN</sub> = 50 Hz <sup>(1)</sup>					
SFDR	Spurious-free dynamic range	SD24GAINx = 1	3 V		100		dB
		SD24GAINx = 8					
		SD24GAINx = 16					
		f <sub>IN</sub> = 50 Hz <sup>(1)</sup>					
INL	Integral non-linearity, end-point fit	SD24GAINx: 1, 8, 16	3 V	-0.003		0.003	% FSR
G	Nominal gain	SD24GAINx = 1	3 V		1		
		SD24GAINx = 2					
		SD24GAINx = 4					
		SD24GAINx = 8					
		SD24GAINx = 16					
E <sub>G</sub>	Gain error	SD24GAINx: 1, 8, 16	3 V	-2%		2%	
ΔE <sub>G</sub> /ΔT	Gain error temperature coefficient	SD24GAINx: 1, 8, 16	3 V			50	ppm/°C
E <sub>OS</sub>	Offset error	SD24GAINx = 1	3 V			4	mV
		SD24GAINx = 16					
ΔEOS/ΔT	Offset error temperature coefficient	SD24GAINx = 1	3 V		±5	±25	ppm FSR/°C
		SD24GAINx = 16					
CMRR,50Hz	Common-mode rejection ratio at 50 Hz	SD24GAINx = 1, Common-mode input signal: V <sub>ID</sub> = 928 mV, f <sub>IN</sub> = 50 Hz	3 V			-55	dB
		SD24GAINx = 16, Common-mode input signal: V <sub>ID</sub> = 58 mV, f <sub>IN</sub> = 50 Hz					
AC PSRR	AC power supply rejection ratio	SD24GAINx: 1, V <sub>CC</sub> = 3 V ± 50 mV × sin(2π × f <sub>VCC</sub> × t), f <sub>VCC</sub> = 50 Hz, Inputs grounded (no analog signal applied)	3 V			-90	dB
		SD24GAINx: 8, V <sub>CC</sub> = 3 V ± 50 mV × sin(2π × f <sub>VCC</sub> × t), f <sub>VCC</sub> = 50 Hz, Inputs grounded (no analog signal applied)	3 V			-95	
		SD24GAINx: 16, V <sub>CC</sub> = 3 V ± 50 mV × sin(2π × f <sub>VCC</sub> × t), f <sub>VCC</sub> = 50 Hz, Inputs grounded (no analog signal applied)	3 V			-95	
XT	Crosstalk between converters	Crosstalk source: SD24GAINx = 1, Sine-wave with maximum possible V <sub>PP</sub> , f <sub>IN</sub> = 50 Hz or 100 Hz, Converter under test: SD24GAINx = 1	3 V			-120	dB
		Crosstalk source: SD24GAINx = 1, Sine-wave with maximum possible V <sub>PP</sub> , f <sub>IN</sub> = 50 Hz or 100 Hz, Converter under test: SD24GAINx = 8					
		Crosstalk source: SD24GAINx = 1, Sine-wave with maximum possible V <sub>PP</sub> , f <sub>IN</sub> = 50 Hz or 100 Hz, Converter under test: SD24GAINx = 16					

(1) The following voltages were applied to the SD24 inputs:

$$V_{I,A+}(t) = 0 \text{ V} + V_{PP}/2 \times \sin(2\pi \times f_{IN} \times t)$$

$$V_{I,A-}(t) = 0 \text{ V} - V_{PP}/2 \times \sin(2\pi \times f_{IN} \times t)$$

resulting in a differential voltage of V<sub>ID</sub> = V<sub>IN,A+</sub>(t) - V<sub>IN,A-</sub>(t) = V<sub>PP</sub> × sin(2π × f<sub>IN</sub> × t) with V<sub>PP</sub> being selected as the maximum value allowed for a given range (according to SD24 input range).

**Table 5-23. SD24, Performance - External Reference (SD24REFS = 0, SD24OSRx = 256)**

external reference voltage is 1.2 V., over operating free-air temperature range (unless otherwise noted)

PARAMETER		TEST CONDITIONS		V <sub>CC</sub>	MIN	TYP	MAX	UNIT
SINAD	Signal-to-noise + distortion ratio	SD24GAINx = 1	f <sub>IN</sub> = 50 Hz <sup>(1)</sup>	3 V		91		dB
		SD24GAINx = 2			90			
		SD24GAINx = 4			88			
		SD24GAINx = 8			83			
		SD24GAINx = 16			77			
THD	Total harmonic distortion	SD24GAINx = 1	f <sub>IN</sub> = 50 Hz <sup>(2)</sup>	3 V		100		dB
		SD24GAINx = 8			95			
		SD24GAINx = 16			90			
SFDR	Spurious-free dynamic range	SD24GAINx = 1	f <sub>IN</sub> = 50 Hz <sup>(2)</sup>	3 V		100		dB
		SD24GAINx = 8			95			
		SD24GAINx = 16			90			
INL	Integral non-linearity, end-point fit	SD24GAINx: 1, 8, 16		3 V	-0.003		0.003	% FSR
G	Nominal gain	SD24GAINx = 1		3 V		1		
		SD24GAINx = 2			2			
		SD24GAINx = 4			4			
		SD24GAINx = 8			8			
		SD24GAINx = 16			16			
E <sub>G</sub>	Gain error	SD24GAINx: 1, 8, 16		3 V	-1%		+1%	
ΔE <sub>G</sub> /ΔT	Gain error temperature coefficient	SD24GAINx: 1, 8, 16		3 V			10	ppm/°C
E <sub>OS</sub>	Offset error	SD24GAINx = 1		3 V			4	mV
		SD24GAINx = 16			2			
ΔEOS/ΔT	Offset error temperature coefficient	SD24GAINx = 1		3 V		±5	±25	ppm FSR/°C
		SD24GAINx = 16			±3	±10		
CMRR,50Hz	Common-mode rejection ratio at 50 Hz	SD24GAINx = 1, Common-mode input signal: V <sub>ID</sub> = 928 mV, f <sub>IN</sub> = 50 Hz		3 V		-55		dB
		SD24GAINx = 16, Common-mode input signal: V <sub>ID</sub> = 58 mV, f <sub>IN</sub> = 50 Hz			-60			
AC PSRR	AC power supply rejection ratio	SD24GAINx: 1, V <sub>CC</sub> = 3V ± 50mV × sin(2π × f <sub>VCC</sub> × t), f <sub>VCC</sub> = 50 Hz, Inputs grounded (no analog signal applied)		3 V		-90		dB
		SD24GAINx: 8, V <sub>CC</sub> = 3V ± 50mV × sin(2π × f <sub>VCC</sub> × t), f <sub>VCC</sub> = 50 Hz, Inputs grounded (no analog signal applied)			-95			
		SD24GAINx: 16, V <sub>CC</sub> = 3V ± 50mV × sin(2π × f <sub>VCC</sub> × t), f <sub>VCC</sub> = 50 Hz, Inputs grounded (no analog signal applied)			-95			

(1) The following voltages were applied to the SD24 inputs:

$$V_{I,A+}(t) = 0 \text{ V} + V_{PP}/2 \times \sin(2\pi \times f_{IN} \times t)$$

$$V_{I,A-}(t) = 0 \text{ V} - V_{PP}/2 \times \sin(2\pi \times f_{IN} \times t)$$

resulting in a differential voltage of V<sub>ID</sub> = V<sub>IN,A+</sub>(t) - V<sub>IN,A-</sub>(t) = V<sub>PP</sub> × sin(2π × f<sub>IN</sub> × t) with V<sub>PP</sub> being selected as the maximum value allowed for a given range (according to SD24 input range).

(2) The following voltages were applied to the SD24 inputs:

$$V_{I,A+}(t) = 0 \text{ V} + V_{PP}/2 \times \sin(2\pi \times f_{IN} \times t)$$

$$V_{I,A-}(t) = 0 \text{ V} - V_{PP}/2 \times \sin(2\pi \times f_{IN} \times t)$$

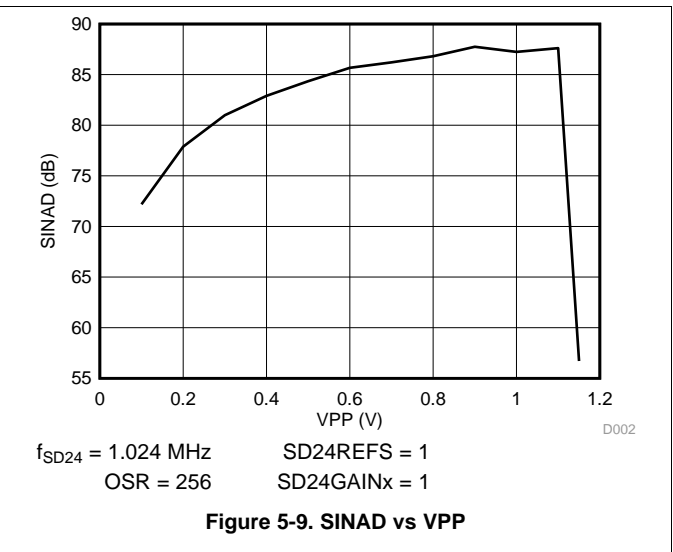
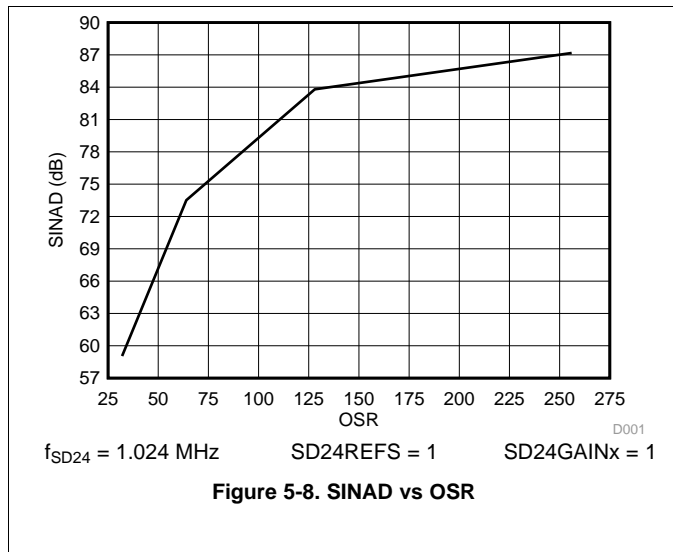
resulting in a differential voltage of V<sub>ID</sub> = V<sub>IN,A+</sub>(t) - V<sub>IN,A-</sub>(t) = V<sub>PP</sub> × sin(2π × f<sub>IN</sub> × t) with V<sub>PP</sub> being selected as the maximum value allowed for a given range (according to SD24 input range).



**SD24, Performance - External Reference (SD24REFS = 0, SD24OSRx = 256) (continued)**

external reference voltage is 1.2 V., over operating free-air temperature range (unless otherwise noted)

PARAMETER		TEST CONDITIONS	V <sub>CC</sub>	MIN	TYP	MAX	UNIT
XT	Crosstalk between converters	Crosstalk source: SD24GAINx = 1, Sine-wave with maximum possible V <sub>PP</sub> , f <sub>IN</sub> = 50 Hz or 100 Hz, Converter under test: SD24GAINx = 1	3 V		-120		dB
		Crosstalk source: SD24GAINx = 1, Sine-wave with maximum possible V <sub>PP</sub> , f <sub>IN</sub> = 50 Hz or 100 Hz, Converter under test: SD24GAINx = 8			-110		
		Crosstalk source: SD24GAINx = 1, Sine-wave with maximum possible V <sub>PP</sub> , f <sub>IN</sub> = 50 Hz or 100 Hz, Converter under test: SD24GAINx = 16			-110		



## 5.6.8 eUSCI

**Table 5-24. eUSCI (UART Mode) Recommended Operating Conditions**

PARAMETER		CONDITIONS	MIN	MAX	UNIT
f <sub>eUSCI</sub>	eUSCI input clock frequency	Internal: SMCLK, ACLK External: UCLK Duty cycle = 50% ± 10%		f <sub>SYSTEM</sub>	MHz
f <sub>BITCLK</sub>	BITCLK clock frequency (equals baud rate in MBaud)			4	MHz

**Table 5-25. eUSCI (UART Mode)**

over recommended ranges of supply voltage and operating free-air temperature (unless otherwise noted)

PARAMETER	TEST CONDITIONS	V <sub>CC</sub>	MIN	TYP	MAX	UNIT
t <sub>t</sub>	UCGLITx = 0	2.2 V, 3 V	8	15	20	ns
	UCGLITx = 1		30	50	60	
	UCGLITx = 2		50	70	100	
	UCGLITx = 3		70	100	150	

- (1) Pulses on the UART receive input (UCxRX) shorter than the UART receive deglitch time are suppressed. To ensure that pulses are correctly recognized their width should exceed the maximum specification of the deglitch time.

**Table 5-26. eUSCI (SPI Master Mode) Recommended Operating Conditions**

PARAMETER		CONDITIONS	MIN	MAX	UNIT
f <sub>eUSCI</sub>	eUSCI input clock frequency	Internal: SMCLK, ACLK Duty cycle = 50% ± 10%		f <sub>SYSTEM</sub>	MHz

**Table 5-27. eUSCI (SPI Master Mode)**

over recommended ranges of supply voltage and operating free-air temperature (unless otherwise noted)<sup>(1)</sup>

PARAMETER	TEST CONDITIONS	V <sub>CC</sub>	MIN	MAX	UNIT
t <sub>STE,LEAD</sub>	STE lead time, STE active to clock	UCSTEM = 1, UCMODEx = 01 or 10	2.2 V, 3 V	150	ns
t <sub>STE,LAG</sub>	STE lag time, Last clock to STE inactive	UCSTEM = 1, UCMODEx = 01 or 10	2.2 V, 3 V	200	ns
t <sub>STE,ACC</sub>	STE access time, STE active to SIMO data out	UCSTEM = 0, UCMODEx = 01 or 10	2.2 V	40	ns
			3 V	30	ns
t <sub>STE,DIS</sub>	STE disable time, STE inactive to SIMO high impedance	UCSTEM = 0, UCMODEx = 01 or 10	2.2 V	40	ns
			3 V	30	ns
t <sub>SU,MI</sub>	SOMI input data setup time		2.2 V	50	ns
			3 V	30	ns
t <sub>HD,MI</sub>	SOMI input data hold time		2.2 V, 3 V	0	ns
t <sub>VALID,MO</sub>	SIMO output data valid time <sup>(2)</sup>	UCLK edge to SIMO valid, C <sub>L</sub> = 20 pF	2.2 V	7	ns
			3 V	5	ns
t <sub>HD,MO</sub>	SIMO output data hold time <sup>(3)</sup>	C <sub>L</sub> = 20 pF	2.2 V, 3 V	0	ns

- (1) f<sub>UCxCLK</sub> = 1/2t<sub>LO/HI</sub> with t<sub>LO/HI</sub> = max(t<sub>VALID,MO</sub>(eUSCI) + t<sub>SU,SI</sub>(Slave), t<sub>SU,MI</sub>(eUSCI) + t<sub>VALID,SO</sub>(Slave)). For the slave's parameters t<sub>SU,SI</sub>(Slave) and t<sub>VALID,SO</sub>(Slave) refer to the SPI parameters of the attached slave.
- (2) Specifies the time to drive the next valid data to the SIMO output after the output changing UCLK clock edge. Refer to the timing diagrams in [Figure 5-10](#) and [Figure 5-11](#).
- (3) Specifies how long data on the SIMO output is valid after the output changing UCLK clock edge. Negative values indicate that the data on the SIMO output can become invalid before the output changing clock edge observed on UCLK. Refer to the timing diagrams in [Figure 5-10](#) and [Figure 5-11](#).

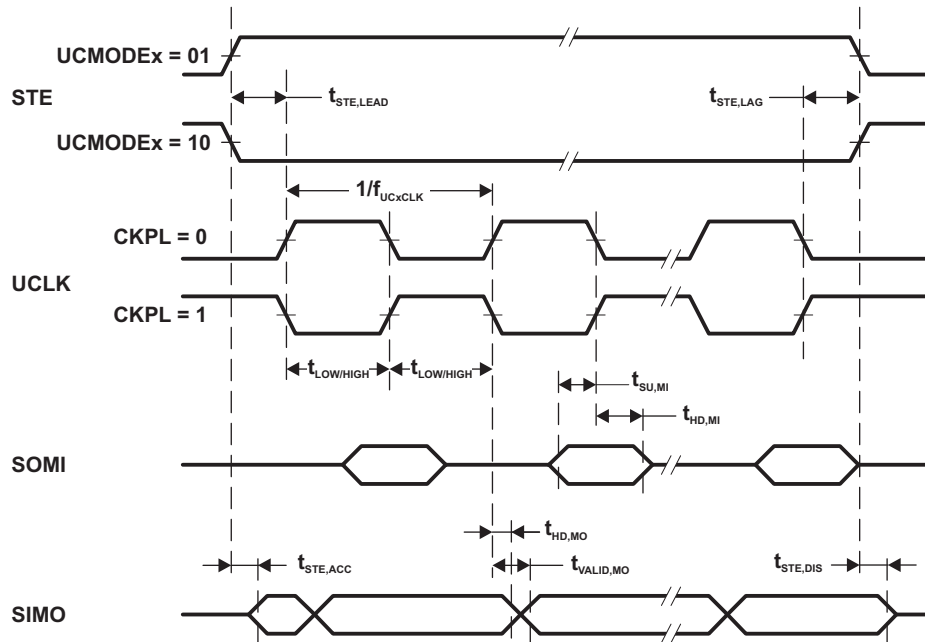


Figure 5-10. SPI Master Mode, CKPH = 0

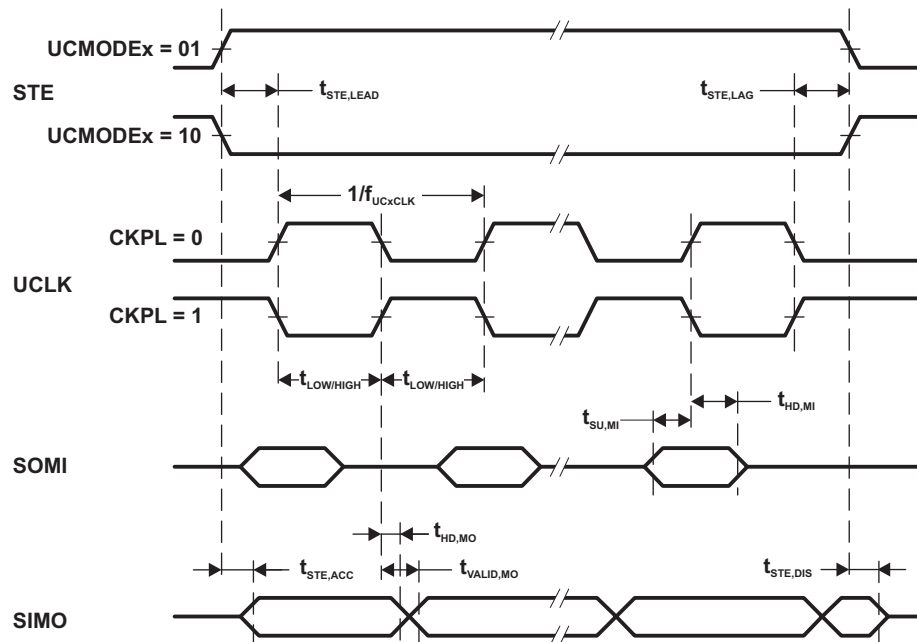


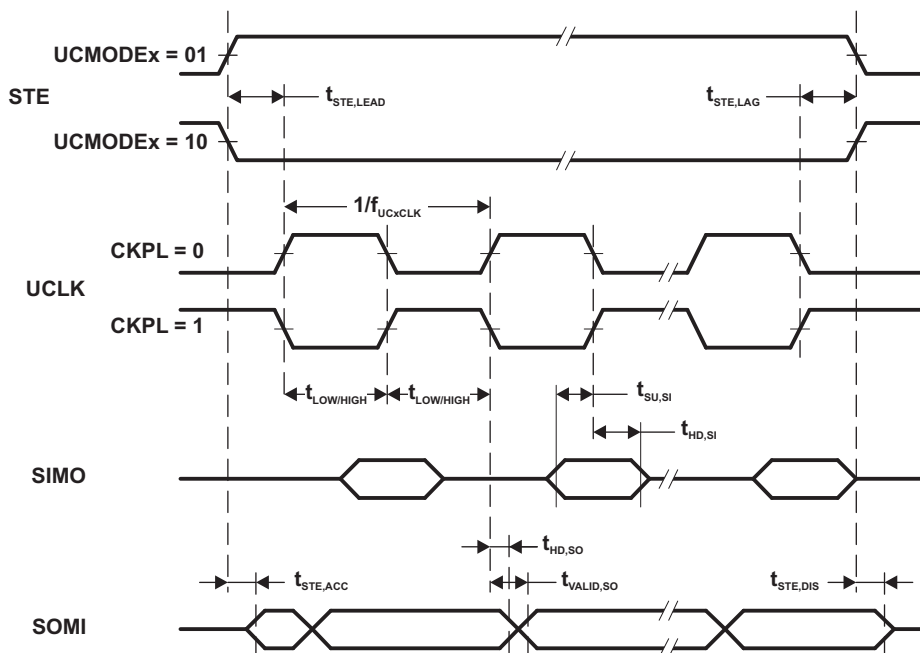
Figure 5-11. SPI Master Mode, CKPH = 1

**Table 5-28. eUSCI (SPI Slave Mode)**

over recommended ranges of supply voltage and operating free-air temperature (unless otherwise noted)<sup>(1)</sup>

PARAMETER		TEST CONDITIONS	V <sub>CC</sub>	MIN	MAX	UNIT
t <sub>STE,LEAD</sub>	STE lead time, STE active to clock		2.2 V, 3 V	3		ns
t <sub>STE,LAG</sub>	STE lag time, Last clock to STE inactive		2.2 V, 3 V	0		ns
t <sub>STE,ACC</sub>	STE access time, STE active to SOMI data out		2.2 V		35	ns
			3 V		25	ns
t <sub>STE,DIS</sub>	STE disable time, STE inactive to SOMI high impedance		2.2 V, 3 V		35	ns
t <sub>SU,SI</sub>	SIMO input data setup time		2.2 V, 3 V	1		ns
t <sub>HD,SI</sub>	SIMO input data hold time		2.2 V, 3 V	5		ns
t <sub>VALID,SO</sub>	SOMI output data valid time <sup>(2)</sup>	UCLK edge to SOMI valid, C <sub>L</sub> = 20 pF	2.2 V		35	ns
			3 V		25	ns
t <sub>HD,SO</sub>	SOMI output data hold time <sup>(3)</sup>	C <sub>L</sub> = 20 pF	2.2 V		35	ns
			3 V		25	ns

- (1)  $f_{UCxCLK} = 1/2t_{LO/HI}$  with  $t_{LO/HI} \geq \max(t_{VALID,MO(Master)} + t_{SU,SI(eUSCI)}, t_{SU,MI(Master)} + t_{VALID,SO(eUSCI)})$ . For the master's parameters  $t_{SU,MI(Master)}$  and  $t_{VALID,MO(Master)}$  refer to the SPI parameters of the attached slave.
- (2) Specifies the time to drive the next valid data to the SOMI output after the output changing UCLK clock edge. Refer to the timing diagrams in [Figure 5-12](#) and [Figure 5-13](#).
- (3) Specifies how long data on the SOMI output is valid after the output changing UCLK clock edge. Refer to the timing diagrams in [Figure 5-12](#) and [Figure 5-13](#).



**Figure 5-12. SPI Slave Mode, CKPH = 0**

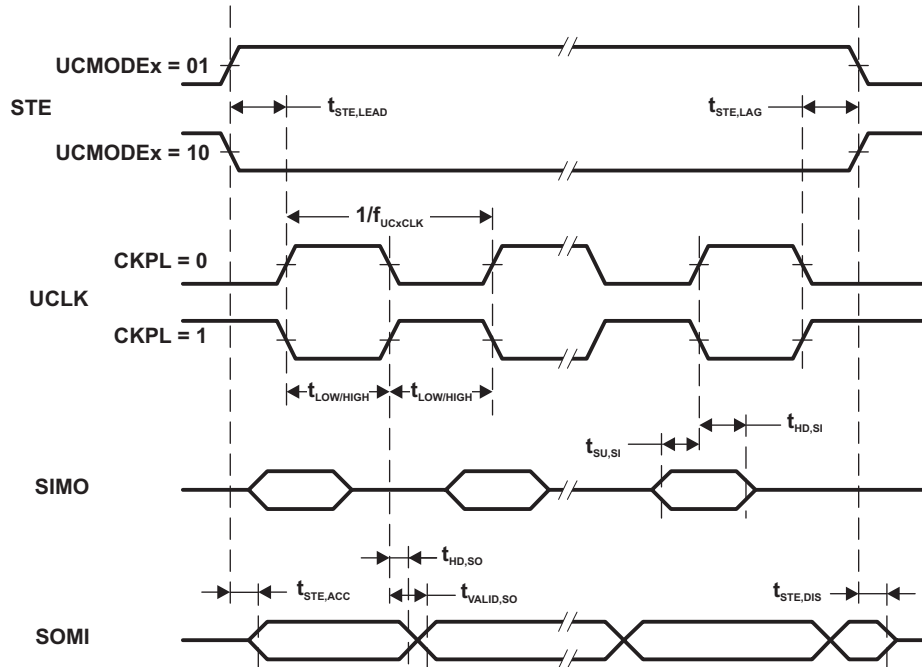
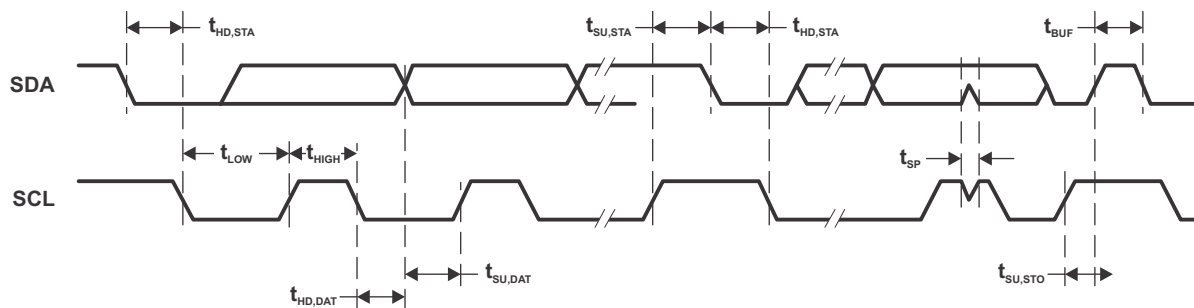


Figure 5-13. SPI Slave Mode, CKPH = 1

**Table 5-29. eUSCI (I<sup>2</sup>C Mode)**

over recommended ranges of supply voltage and operating free-air temperature (unless otherwise noted) (see [Figure 5-14](#))

PARAMETER	TEST CONDITIONS	V <sub>CC</sub>	MIN	TYP	MAX	UNIT		
f <sub>eUSCI</sub>	eUSCI input clock frequency				f <sub>SYSTEM</sub>	MHz		
f <sub>SCL</sub>	SCL clock frequency	2.2 V, 3 V	0		400	kHz		
t <sub>HD,STA</sub>	Hold time (repeated) START	f <sub>SCL</sub> = 100 kHz f <sub>SCL</sub> > 100 kHz	2.2 V, 3 V	5.5 1.5		μs		
t <sub>SU,STA</sub>	Setup time for a repeated START	f <sub>SCL</sub> = 100 kHz f <sub>SCL</sub> > 100 kHz	2.2 V, 3 V	5.5 1.5		μs		
t <sub>HD,DAT</sub>	Data hold time		2.2 V, 3 V	0.4		μs		
t <sub>SU,DAT</sub>	Data setup time	f <sub>SCL</sub> = 100 kHz f <sub>SCL</sub> > 100 kHz	2.2 V, 3 V	5.5 1.5		μs		
t <sub>SU,STO</sub>	Setup time for STOP	f <sub>SCL</sub> = 100 kHz f <sub>SCL</sub> > 100 kHz	2.2 V, 3 V	5.5 1.5		μs		
t <sub>SP</sub>	Pulse duration of spikes suppressed by input filter	UCGLITx = 0	2.2 V, 3 V	75	110	160	ns	
				UCGLITx = 1	35	50	80	ns
				UCGLITx = 2	15	25	40	ns
				UCGLITx = 3	10	15	20	ns
t <sub>TIMEOUT</sub>	Clock low timeout	UCCLTOx = 1		33		ms		
		UCCLTOx = 2		37		ms		
		UCCLTOx = 3		41		ms		



**Figure 5-14. I<sup>2</sup>C Mode Timing**

### 5.6.9 Timer\_A

**Table 5-30. Timer\_A**

over recommended ranges of supply voltage and operating free-air temperature (unless otherwise noted)

PARAMETER		TEST CONDITIONS	V <sub>CC</sub>	MIN	TYP	MAX	UNIT
f <sub>TA</sub>	Timer_A input clock frequency	Internal: SMCLK External: TACLK	3.0 V			16.384	MHz
t <sub>TA,cap</sub>	Timer_A capture timing	All capture inputs, Minimum pulse duration required for capture	3.0 V	20			ns

### 5.6.10 Flash

**Table 5-31. Flash Memory**

over recommended ranges of supply voltage and operating free-air temperature (unless otherwise noted)

PARAMETER		TEST CONDITIONS	V <sub>CC</sub>	MIN	TYP	MAX	UNIT
V <sub>CC(PGM/ERASE)</sub>	Program and erase supply voltage			2.2		3.6	V
f <sub>FTG</sub>	Flash timing generator frequency			257		476	kHz
I <sub>PGM</sub>	Supply current from V <sub>CC</sub> during program		2.2 V, 3.6 V			8	mA
I <sub>ERASE</sub>	Supply current from V <sub>CC</sub> during erase		2.2 V, 3.6 V			13	mA
t <sub>CPT</sub>	Cumulative program time <sup>(1)</sup>		2.2 V, 3.6 V			8	ms
	Program and erase endurance			20000			cycles
t <sub>Retention</sub>	Data retention duration	T <sub>J</sub> = 25°C		100			years
t <sub>Word</sub>	Word or byte program time	(2)			25		t <sub>FTG</sub>
t <sub>Block, 0</sub>	Block program time for first byte or word	(2)			20		
t <sub>Block, 1-63</sub>	Block program time for each additional byte or word	(2)			11		
t <sub>Block, End</sub>	Block program end-sequence wait time	(2)			6		
t <sub>Mass Erase</sub>	Mass erase time	(2)			10593		
t <sub>Seg Erase</sub>	Segment erase time	(2)			9628		

(1) The cumulative program time must not be exceeded when writing to a 64-byte flash block. This parameter applies to all programming methods: individual word-write mode, individual byte-write mode, and block-write mode.

(2) These values are hardwired into the flash controller's state machine (t<sub>FTG</sub> = 1/f<sub>FTG</sub>).

### 5.6.11 Emulation and Debug

**Table 5-32. JTAG and Spy-Bi-Wire Interface**

over recommended ranges of supply voltage and operating free-air temperature (unless otherwise noted)

PARAMETER		V <sub>CC</sub>	MIN	TYP	MAX	UNIT
f <sub>SBW</sub>	Spy-Bi-Wire input frequency	3.0 V	0		20	MHz
t <sub>SBW,Low</sub>	Spy-Bi-Wire low clock pulse duration	3.0 V	0.025		15	μs
t <sub>SBW,En</sub>	Spy-Bi-Wire enable time (TEST high to acceptance of first clock edge) <sup>(1)</sup>	3.0 V			1	μs
t <sub>SBW,Rst</sub>	Spy-Bi-Wire return to normal operation time	3.0 V	15		100	μs
f <sub>TCK</sub>	TCK input frequency, 4-wire JTAG <sup>(2)</sup>	3.0 V	0		10	MHz
R <sub>internal</sub>	Internal pulldown resistance on TEST	3.0 V	45	60	80	kΩ

(1) Tools that access the Spy-Bi-Wire interface must wait for the minimum t<sub>SBW,En</sub> time after pulling the TEST/SBWTCK pin high before applying the first SBWTCK clock edge.

(2) f<sub>TCK</sub> may be restricted to meet the timing requirements of the module selected.

## 6 Detailed Description

### 6.1 Overview

The MSP430i204x, MSP430i203x, MSP430i202x devices consist of a powerful 16-bit RISC CPU, a DCO-based clock system that generates system clocks, a power management module (PMM) with built-in voltage reference and voltage monitor, two to four 24-bit sigma-delta analog-to-digital converters (ADCs), a temperature sensor, a 16-bit hardware multiplier, two 16-bit timers, one eUSCI-A module and one eUSCI-B module, a watchdog timer (WDT), and up to 16 I/O pins.



## 6.2 Functional Block Diagrams

Figure 6-1 shows the functional block diagram for the MSP430i2041 and MSP430i2040 in the RHB package.

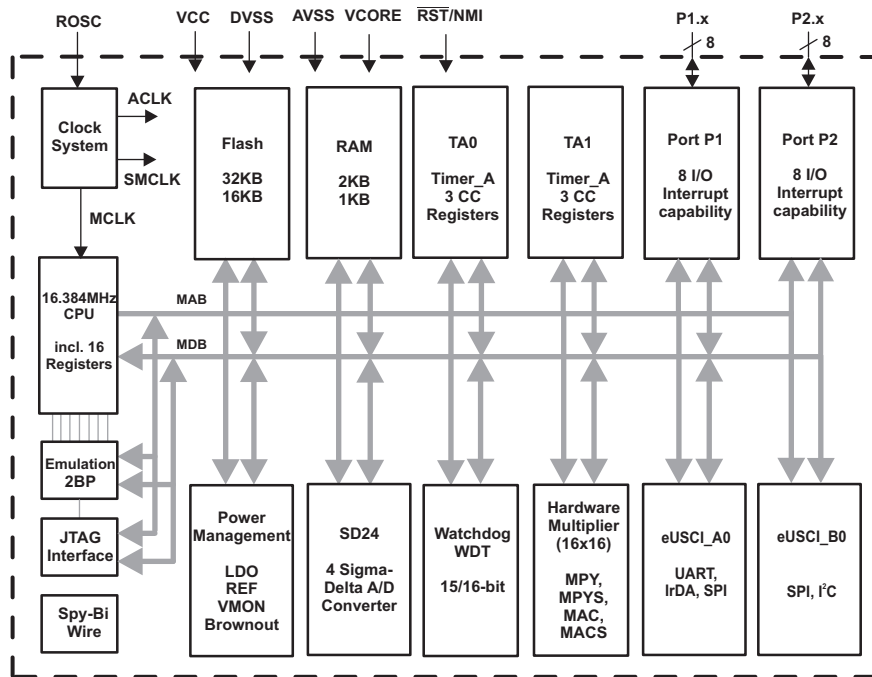


Figure 6-1. Functional Block Diagram - RHB Package - MSP430i2041, MSP430i2040

Figure 6-2 shows the functional block diagram for the MSP430i2041 and MSP430i2040 in the PW package.

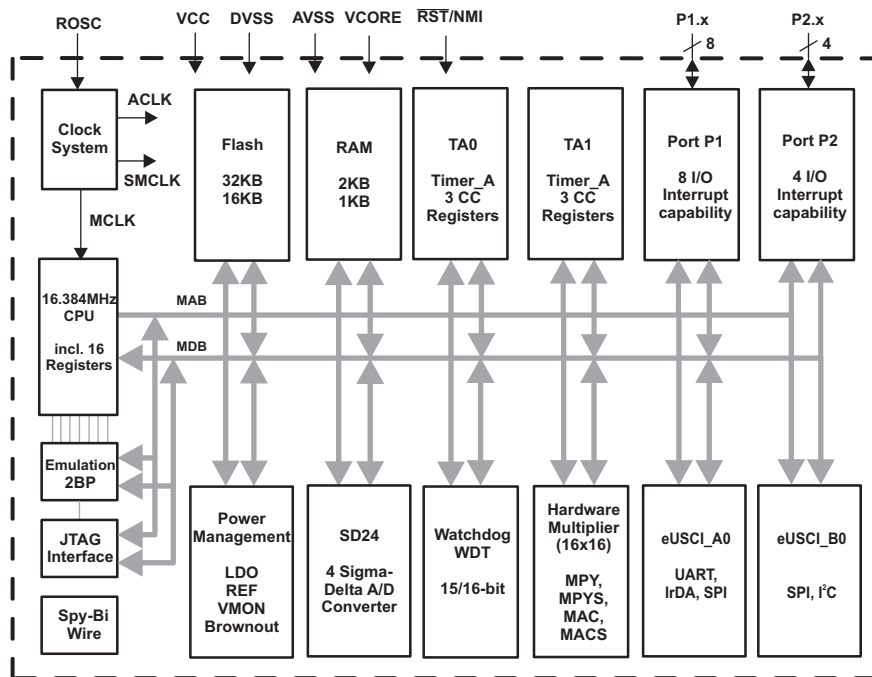


Figure 6-2. Functional Block Diagram - PW Package - MSP430i2041, MSP430i2040

Figure 6-3 shows the functional block diagram for the MSP430i2031 and MSP430i2030 in the RHB package.

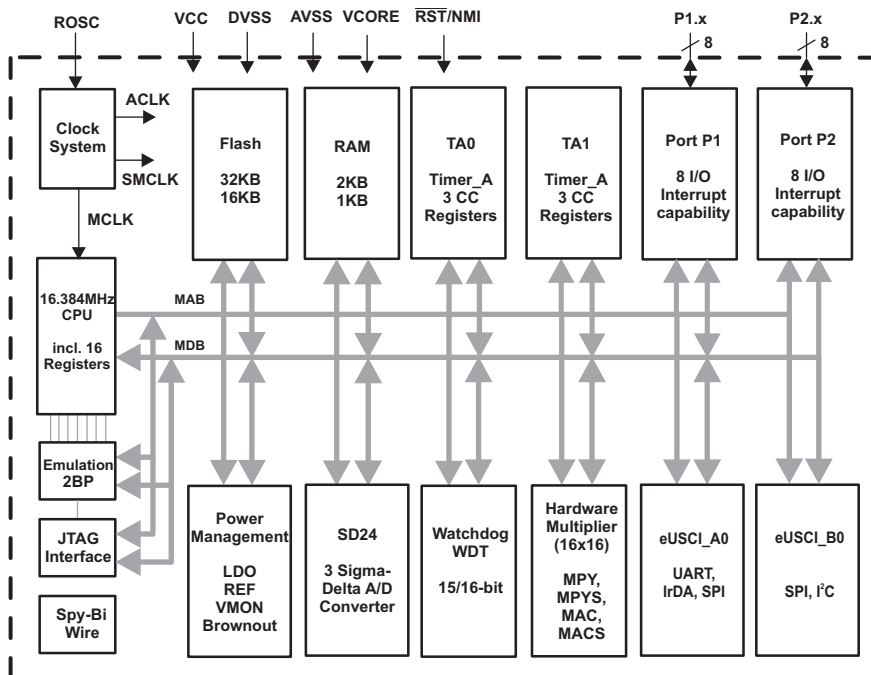


Figure 6-3. Functional Block Diagram - RHB Package - MSP430i2031, MSP430i2030

Figure 6-4 shows the functional block diagram for the MSP430i2031 and MSP430i2030 in the PW package.

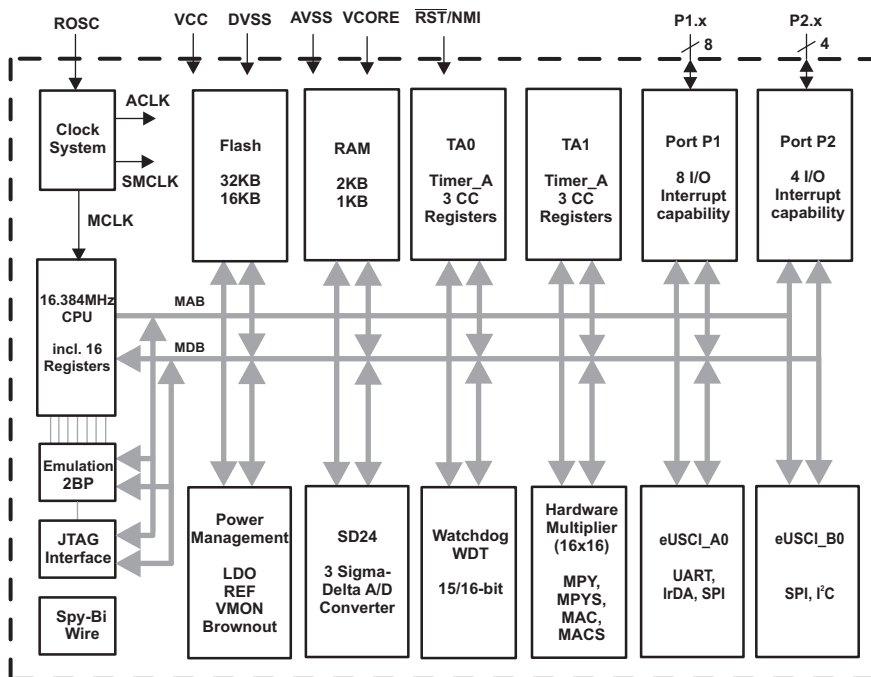


Figure 6-4. Functional Block Diagram - PW Package - MSP430i2031, MSP430i2030

Figure 6-5 shows the functional block diagram for the MSP430i2021 and MSP430i2020 in the RHB package.

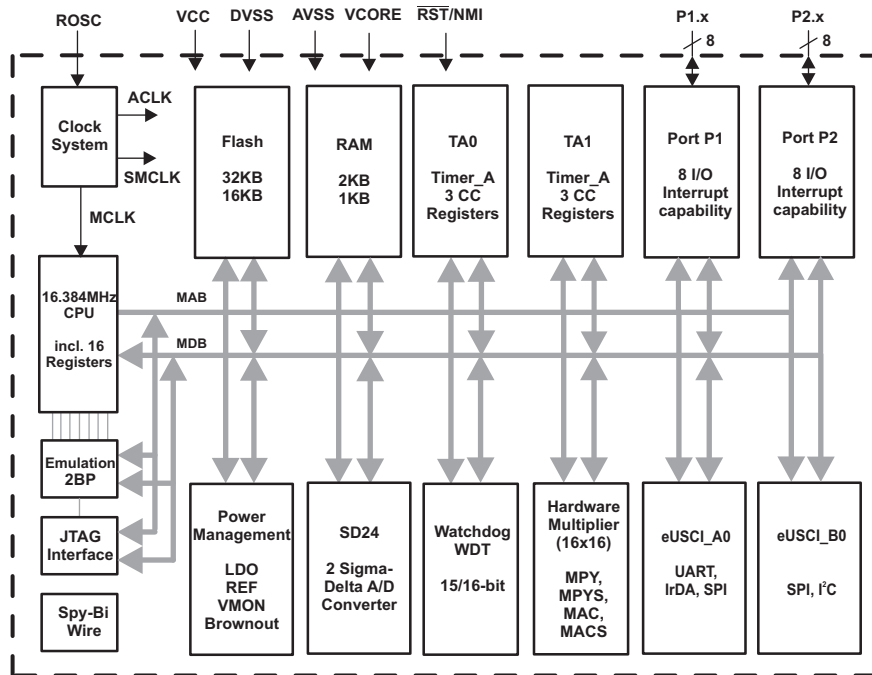


Figure 6-5. Functional Block Diagram - RHB Package - MSP430i2021, MSP430i2020

Figure 6-6 shows the functional block diagram for the MSP430i2021 and MSP430i2020 in the PW package.

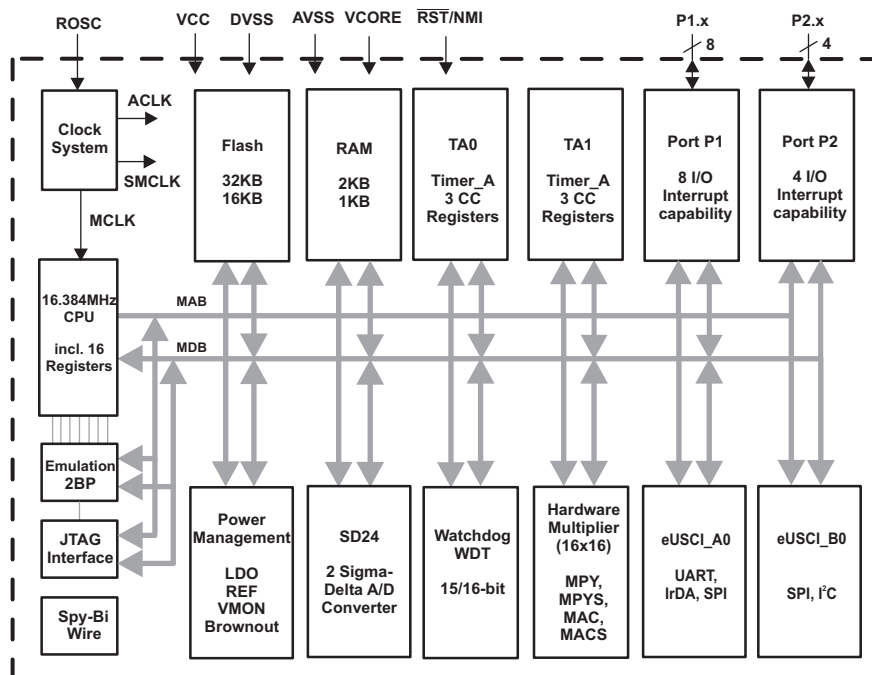


Figure 6-6. Functional Block Diagram - PW Package - MSP430i2021, MSP430i2020

### 6.3 CPU

The MSP430i CPU has a 16-bit RISC architecture that is highly transparent to the application. All operations, other than program-flow instructions, are performed as register operations in conjunction with seven addressing modes for source operand and four addressing modes for destination operand.

The CPU is integrated with 16 registers that provide reduced instruction execution time. The register-to-register operation execution time is one cycle of the CPU clock.

Four of the registers, R0 to R3, are dedicated as program counter, stack pointer, status register, and constant generator respectively. The remaining registers are general-purpose registers.

Peripherals are connected to the CPU using data, address, and control buses and can be handled with all instructions.

Program Counter	PC/R0
Stack Pointer	SP/R1
Status Register	SR/CG1/R2
Constant Generator	CG2/R3
General-Purpose Register	R4
General-Purpose Register	R5
General-Purpose Register	R6
General-Purpose Register	R7
General-Purpose Register	R8
General-Purpose Register	R9
General-Purpose Register	R10
General-Purpose Register	R11
General-Purpose Register	R12
General-Purpose Register	R13
General-Purpose Register	R14
General-Purpose Register	R15

## 6.4 Instruction Set

The instruction set consists of 51 instructions with three formats and seven address modes. Each instruction can operate on word and byte data. [Table 6-1](#) shows examples of the three types of instruction formats; [Table 6-2](#) shows the address modes.

**Table 6-1. Instruction Word Formats**

INSTRUCTION FORMAT	EXAMPLE	OPERATION
Dual operands, source-destination	ADD R4,R5	R4 + R5 → R5
Single operands, destination only	CALL R8	PC → (TOS), R8 → PC
Relative jump, unconditional/conditional	JNE	Jump-on-equal bit = 0

**Table 6-2. Address Mode Descriptions**

ADDRESS MODE	S <sup>(1)</sup>	D <sup>(2)</sup>	SYNTAX	EXAMPLE	OPERATION
Register	✓	✓	MOV Rs,Rd	MOV R10,R11	R10 → R11
Indexed	✓	✓	MOV X(Rn),Y(Rm)	MOV 2(R5),6(R6)	M(2+R5) → M(6+R6)
Symbolic (PC relative)	✓	✓	MOV EDE,TONI		M(EDE) → M(TONI)
Absolute	✓	✓	MOV &MEM,&TCDAT		M(MEM) → M(TCDAT)
Indirect	✓		MOV @Rn,Y(Rm)	MOV @R10,Tab(R6)	M(R10) → M(Tab+R6)
Indirect autoincrement	✓		MOV @Rn+,Rm	MOV @R10+,R11	M(R10) → R11 R10 + 2 → R10
Immediate	✓		MOV #X,TONI	MOV #45,TONI	#45 → M(TONI)

(1) S = source

(2) D = destination

## 6.5 Operating Modes

MSP430i204x, MSP430i203x, MSP430i202x devices have one active mode and four software-selectable low-power modes. An interrupt event can wake up the device from the low-power modes LPM0 to LPM4, service the request, and restore back to the low-power mode on return from the interrupt program.

The following five operating modes can be configured by software:

- Active mode (AM)
  - All clocks are active.
- Low-power mode 0/1 (LPM0 = LPM1)
  - CPU is disabled
  - Internal regulator remains enabled
  - DCO remains enabled
  - MCLK is disabled
  - ACLK and SMCLK remain active
- Low-power mode 2/3 (LPM2 = LPM3)
  - CPU is disabled
  - Internal regulator remains enabled
  - DCO remains enabled
  - MCLK and SMCLK are disabled
  - ACLK remains active
- Low-power mode 4 (LPM4)
  - CPU is disabled
  - Internal regulator remains enabled
  - DCO is disabled
  - MCLK, SMCLK, and ACLK are disabled
- Low-power mode 4.5 (LPM4.5)
  - Internal regulator is disabled
  - No RAM retention
  - I/O pad state retention
  - Wakeup from  $\overline{\text{RST}}/\text{NMI}$ , Ports Pins P2.1, P2.2

## 6.6 Interrupt Vector Addresses

The interrupt vectors and the power-up starting address are located in the address range 0FFFFh to 0FFE0h. The vector contains the 16-bit address of the appropriate interrupt handler instruction sequence.

If the reset vector (located at address 0FFFEh) contains 0FFFFh (for example, flash is not programmed), the CPU goes into LPM4 immediately after power up.

**Table 6-3. Interrupt Vector Addresses**

INTERRUPT SOURCE	INTERRUPT FLAG	SYSTEM INTERRUPT	WORD ADDRESS	PRIORITY
Power up External reset Watchdog Flash key violation PC out-of-range <sup>(1)</sup>	BORIFG RSTIFG WDTIFG KEYV <sup>(2)</sup>	Reset	0FFFEh	15, highest
NMI Oscillator fault Flash memory access violation	NMIIFG OFIFG ACCVIFG <sup>(2) (3)</sup>	(Non)maskable, (Non)maskable, (Non)maskable	0FFFCCh	14
Timer TA1	TA1CCR0 CCIFG <sup>(4)</sup>	Maskable	0FFFAh	13
Timer TA1	TA1CCR1 CCIFG, TA1CCR2 CCIFG, TA1CTL TAIFG <sup>(2) (4)</sup>	Maskable	0FFF8h	12
Voltage Monitor	VMONIFG	Maskable	0FFF6h	11
Watchdog Timer	WDTIFG	Maskable	0FFF4h	10
eUSCI_A0 Receive or Transmit	UCA0RXIFG, UCA0TXIFG	Maskable	0FFF2h	9
eUSCI_B0 Receive or Transmit	UCB0RXIFG, UCB0TXIFG	Maskable	0FFF0h	8
SD24	SD24CCTLx SD24OVIFG, SD24CCTLx SD24IFG <sup>(2) (4)</sup>	Maskable	0FFEEh	7
Timer TA0	TA0CCR0 CCIFG <sup>(4)</sup>	Maskable	0FFECh	6
Timer TA0	TA0CCR1 CCIFG, TA0CCR2 CCIFG, TA0CTL TAIFG <sup>(2) (4)</sup>	Maskable	0FFEAh	5
I/O Port P1	P1IFG.0 to P1IFG.7 <sup>(2) (4)</sup>	Maskable	0FFE8h	4
			0FFE6h	3
			0FFE4h	2
I/O Port P2	P2IFG.0 to P2IFG.7 <sup>(2) (4)</sup>	Maskable	0FFE2h	1
			0FFE0h	0, lowest

(1) A reset is generated if the CPU tries to fetch instructions from within the module register memory address range (0h to 01FFh) or from within unused address range.

(2) Multiple source flags

(3) (Non)maskable: the individual interrupt-enable bit can disable an interrupt event, but the general interrupt enable cannot.

(4) Interrupt flags are located in the module.

## 6.7 Special Function Registers

Some interrupt enable and interrupt flag bits are collected into the lowest address space. Special function register bits not allocated to a functional purpose are not physically present in the device. Simple software access is provided with this arrangement.

### Legend

rw	Bit can be read and written.
rw-0, 1	Bit can be read and written. It is Reset or Set by PUC.
rw-(0), (1)	Bit can be read and written. It is Reset or Set by POR.
rw-[0], [1]	Bit can be read and written. It is Reset or Set by BOR.
	SFR bit is not present in device.

**Table 6-4. Interrupt Enable 1 (Address = 00h)**

7	6	5	4	3	2	1	0
		ACCVIE	NMIIE			OFIE	WDTIE
		rw-0	rw-0			rw-0	rw-0

WDTIE	Watchdog timer interrupt enable. Inactive if watchdog mode is selected. Active if watchdog timer is configured in interval timer mode.
OFIE	Oscillator fault interrupt enable
NMIIE	(Non)maskable interrupt enable
ACCVIE	Flash access violation interrupt enable

**Table 6-5. Interrupt Flag Register 1 (Address = 02h)**

7	6	5	4	3	2	1	0
			NMIIFG	RSTIFG	BORIFG	OFIFG	WDTIFG
			rw-0	rw-[0]	rw-[1]	rw-0	rw-(0)

WDTIFG	Set on watchdog timer overflow (in watchdog mode) or security key violation. Reset on V <sub>CC</sub> power-up or a reset condition at RST/NMI pin in reset mode.
OFIFG	Flag set on oscillator fault. This flag can be cleared by software when the oscillator runs free of fault.
BORIFG	Brown out reset flag. This bit is set after V <sub>CC</sub> power up and can be cleared by software.
RSTIFG	External reset interrupt flag. Set on a reset condition at RST/NMI pin in reset mode. Reset on V <sub>CC</sub> power up.
NMIIFG	Set by the RST/NMI pin in NMI configuration.

## 6.8 Flash Memory

The flash memory can be programmed through the Spy-Bi-Wire or JTAG port, or in-system by the CPU. The CPU can perform single-byte and single-word writes to the flash memory. Features of the flash memory:

- Flash memory has n segments of main memory and one segment of information memory.
- Segment size is 1KB for both main memory and information memory.
- Segments 0 to n in main memory can be erased in one step, or each segment may be individually erased.
- Information memory segment can be erased separately or as a group with main memory segments 0 to n.
- Information memory segment contains calibration data. After reset, information memory segment is protected against programming and erasing. It can be unlocked but care should be taken not to erase this segment if the device-specific calibration data is required.



## 6.9 JTAG Operation

### 6.9.1 JTAG Standard Interface

The MSP430i family supports the standard JTAG interface which requires four signals for sending and receiving data. The JTAG signals are shared with general-purpose I/O. The TEST/SBWTCK pin is used to enable the JTAG signals. In addition to these signals, the  $\overline{\text{RST}}$ /NMI/SBWDIO is required to interface with MSP430i development tools and device programmers. The JTAG pin requirements are shown in [Table 6-6](#). For further details on interfacing to development tools and device programmers, see the *MSP430 Hardware Tools User's Guide* ([SLAU278](#)).

**Table 6-6. JTAG Pin Requirements and Functions**

DEVICE SIGNAL	Direction	FUNCTION
P1.0/UCA0STE/MCLK/TCK	IN	JTAG clock input
P1.1/UCA0CLK/SMCLK/TMS	IN	JTAG state control
P1.2/UCA0RXD/UCA0SOMI/ACLK/TDI/TCLK	IN	JTAG data input/TCLK input
P1.3/UCA0TXD/UCA0SIMO/TA0CLK/TDO/TDI	OUT	JTAG data output
TEST/SBWTCK	IN	Enable JTAG pins
$\overline{\text{RST}}$ /NMI/SBWDIO	IN	External reset
VCC		Power supply
DVSS		Ground supply

### 6.9.2 Spy-Bi-Wire Interface

In addition to the standard JTAG interface, the MSP430i family supports the two wire Spy-Bi-Wire interface. Spy-Bi-Wire can be used to interface with MSP430i development tools and device programmers. The Spy-Bi-Wire interface pin requirements are shown in [Table 6-7](#). For further details on interfacing to development tools and device programmers, see the *MSP430 Hardware Tools User's Guide* ([SLAU278](#)).

**Table 6-7. Spy-Bi-Wire Pin Requirements and Functions**

DEVICE SIGNAL	Direction	FUNCTION
TEST/SBWTCK	IN	Spy-Bi-Wire clock input
$\overline{\text{RST}}$ /NMI/SBWDIO	IN, OUT	Spy-Bi-Wire data input/output
VCC		Power supply
DVSS		Ground supply

### 6.9.3 JTAG Disable Register

The SYSJTAGDIS register can disable the JTAG port to provide code protection and device security. JTAG is disabled when software writes the value 0xA5A5 to this register within 64 MCLK clock cycles after a BOR or POR reset; otherwise, the JTAG port is enabled. Any writes to this register after the first 64 MCLK clock cycles are ignored. Reads from this register at any time return the JTAG enable or disable status. The value 0xA5A5 indicates that JTAG is disabled, and 0x9696 indicates that JTAG is enabled. The SYSJTAGDIS register is mapped to address 01FEh.

**NOTE**

Application programming the device to any of the low power modes within first 64 MCLK clock cycles after a BOR or POR reset will lock the device for any JTAG/SBW access.

**Table 6-8. SYSJTAGDIS Register**

15	14	13	12	11	10	9	8
JTAGKEY							
rw-[1]	rw-[0]	rw-[1]	rw-[0]	rw-[0]	rw-[1]	rw-[0]	rw-[1]
7	6	5	4	3	2	1	0
JTAGKEY							
rw-[1]	rw-[0]	rw-[1]	rw-[0]	rw-[0]	rw-[1]	rw-[0]	rw-[1]

JTAGKEY      0xA5A5 indicates JTAG is disabled and 0x9696 indicates JTAG is enabled.

## 6.10 Peripherals

Peripherals are connected to the CPU through data, address, and control buses. The peripherals can be managed using all instructions. For complete module descriptions, see the *MSP430i Family User's Guide* ([SLAU335](#)).

### 6.10.1 Clock System

The clock system consists of a fixed 16.384-MHz frequency internal DCO. The DCO can operate in internal resistor mode or external resistor mode. The DCO clock accuracy is higher when operating in external resistor mode especially upon variation in operating temperature. This feature can be useful in applications like utility metering in which accurate clock is necessary under varying operating temperature. When external resistor mode is selected by application, the resistor of recommended value must be connected to ROSC pin of the device. Refer to [Table 5-2](#) for the recommended value of resistor at ROSC pin. It is recommended to connect the ROSC pin to AVSS while operating DCO in internal resistor mode. When a resistor fault is detected in the external resistor mode, the DCO automatically switches to the internal resistor mode as a fail-safe mechanism to keep the system clocks active.

The DCO can be completely bypassed and the system clocks can be sourced by external digital clock. The clock system generates MCLK, SMCLK, and ACLK. MCLK is used by the CPU, while SMCLK and ACLK are used by the peripheral modules. There are programmable clock dividers for MCLK and SMCLK. ACLK runs at a fixed 32-kHz frequency. The clock system supports active mode and four low-power modes.

### 6.10.2 Power Management Module (PMM)

The power management module consists of voltage regulator that generates 1.8-V regulated core voltage. There is a brownout reset (BOR) circuit on the high-voltage domain, and a supply voltage supervisor (SVS) module on the low-voltage domain. The BOR and SVS provide the proper internal reset signal to the device during power-on and power-off.

A built-in voltage reference is used by sub-modules of the PMM and by the analog modules on the device. A temperature sensor is also available within the built-in voltage reference.

The voltage monitor (VMON) on the high-voltage domain can monitor external voltage on the VMONIN pin against the internal reference voltage or by comparing the on-chip VCC to one of three programmable threshold voltages. During the LPM4.5 mode, the reference, voltage regulator, temperature sensor, and voltage monitor are shut off, and only the high side brown-out circuit is active.

### 6.10.3 Digital I/O

There are two 8-bit I/O ports (P1 and P2) implemented on the MSP430i204x, MSP430i203x, MSP430i202x devices. On 32-pin RHB devices, ports P1 and P2 are complete, and 16 I/Os are available. On 28-pin PW devices, port P2 is reduced to 4 bits, and 12 I/Os are available. On 28-pin PW devices, the unavailable pins P2.4 to P2.7 must be programmed to port function, output direction and be driven with value 0.

- All individual I/O bits are independently programmable.
- Any combination of input, output, and interrupt condition is possible.
- Edge-selectable interrupt input capability for all the eight bits of port P1 and P2
- LPM4.5 wake-up capability for Port pins P2.1 and P2.2
- Read and write access to port-control registers is supported by all instructions.

### 6.10.4 Watchdog Timer (WDT)

The primary function of the WDT module is to perform a controlled system restart after a software problem occurs. If the selected time interval expires, a system reset is generated. If the watchdog function is not needed in an application, the module can be disabled or configured as an interval timer and can generate interrupts at selected time intervals.

### 6.10.5 Timer TA0

Timer TA0 is a 16-bit timer/counter (Timer\_A type) with three capture/compare registers. TA0 can support multiple capture/compares, PWM outputs, and interval timing. TA0 also has extensive interrupt capabilities. Interrupts may be generated from the counter on overflow conditions and from each of the capture/compare registers.

**Table 6-9. TA0 Signal Connections**

INPUT PORT PIN	DEVICE INPUT SIGNAL	MODULE INPUT SIGNAL	MODULE BLOCK	MODULE OUTPUT SIGNAL	DEVICE OUTPUT SIGNAL	OUTPUT PORT PIN
P1.3	TA0CLK	TACLK	Timer	NA	NA	
	ACLK (internal)	ACLK				
	SMCLK (internal)	SMCLK				
P1.3	$\overline{\text{TA0CLK}}$	INCLK				
P1.4	TA0.0	CC10A	CCR0	TA0	TA0.0	P1.4
P2.5	TA0.0	CC10B				P2.5
	DVSS	GND				
	VCC	VCC				
P1.5	TA0.1	CC11A	CCR1	TA1	TA0.1	P1.5
	ACLK (internal)	CC11B				P2.6
	DVSS	GND				
	VCC	VCC				
P1.6	TA0.2	CC12A	CCR2	TA2	TA0.2	P1.6
	TA1 CCR2 output (internal)	CC12B				P2.7
	DVSS	GND				
	VCC	VCC			TA1 CC12B input	

### 6.10.6 Timer TA1

Timer TA1 is a 16-bit timer/counter (Timer\_A type) with three capture/compare registers. TA1 can support multiple capture/comparers, PWM outputs, and interval timing. TA1 also has extensive interrupt capabilities. Interrupts may be generated from the counter on overflow conditions and from each of the capture/compare registers.

**Table 6-10. TA1 Signal Connections**

INPUT PORT PIN	DEVICE INPUT SIGNAL	MODULE INPUT SIGNAL	MODULE BLOCK	MODULE OUTPUT SIGNAL	DEVICE OUTPUT SIGNAL	OUTPUT PORT PIN
P1.7	TA1CLK	TACLK	Timer	NA	NA	
	ACLK (internal)	ACLK				
	SMCLK (internal)	SMCLK				
P1.7	$\overline{\text{TA1CLK}}$	INCLK				
P2.0	TA1.0	CCI0A	CCR0	TA0	TA1.0	P2.0
P2.4	TA1.0	CCI0B				P2.4
	DVSS	GND				
	VCC	VCC				
P2.1	TA1.1	CCI1A	CCR1	TA1	TA1.1	P2.1
	ACLK (internal)	CCI1B				
	DVSS	GND				
	VCC	VCC				
P2.2	TA1.2	CCI2A	CCR2	TA2	TA1.2	P2.2
	TA0 CCR2 output (internal)	CCI2B				
	DVSS	GND				
	VCC	VCC			TA0 CCI2B input	

### 6.10.7 Enhanced Universal Serial Communication Interface (eUSCI)

The eUSCI module is used for serial data communication. The eUSCI module supports synchronous communication protocols such as SPI (3 or 4 pin) and I<sup>2</sup>C, and asynchronous communication protocols such as UART, enhanced UART with automatic baudrate detection, and IrDA.

The eUSCI\_An module provides support for SPI (3 or 4 pin), UART, enhanced UART, and IrDA.

The eUSCI\_Bn module provides support for SPI (3 or 4 pin) and I<sup>2</sup>C.

One eUSCI\_A and one eUSCI\_B module are implemented on MSP430i204x, MSP430i203x, MSP430i202x devices.

### 6.10.8 Hardware Multiplier

The multiplication operation is supported by a dedicated peripheral module. The module performs 16x16-bit, 16x8-bit, 8x16-bit, and 8x8-bit operations. The module is capable of supporting signed and unsigned multiplication as well as signed and unsigned multiply and accumulate operations. The result of an operation can be accessed immediately after the operands have been loaded into the peripheral registers. No additional clock cycles are required.

### 6.10.9 SD24

There are up to four independent 24-bit sigma-delta ADCs. Each converter is designed with a fully differential analog input pair and programmable gain amplifier input stage. Also the converters are based on second-order over-sampling sigma-delta modulators and digital decimation filters. The decimation filters are comb-type filters with selectable oversampling ratios of up to 256.

The SD24 converters can operate with internal reference (SD24REFS = 1) or with external reference (SD24REFS = 0). When SD24 operates with internal reference the VREF pin must not be loaded externally. Only the recommended capacitor value,  $C_{VREF}$  must be connected at VREF pin to AVSS (see [Table 5-19](#)).



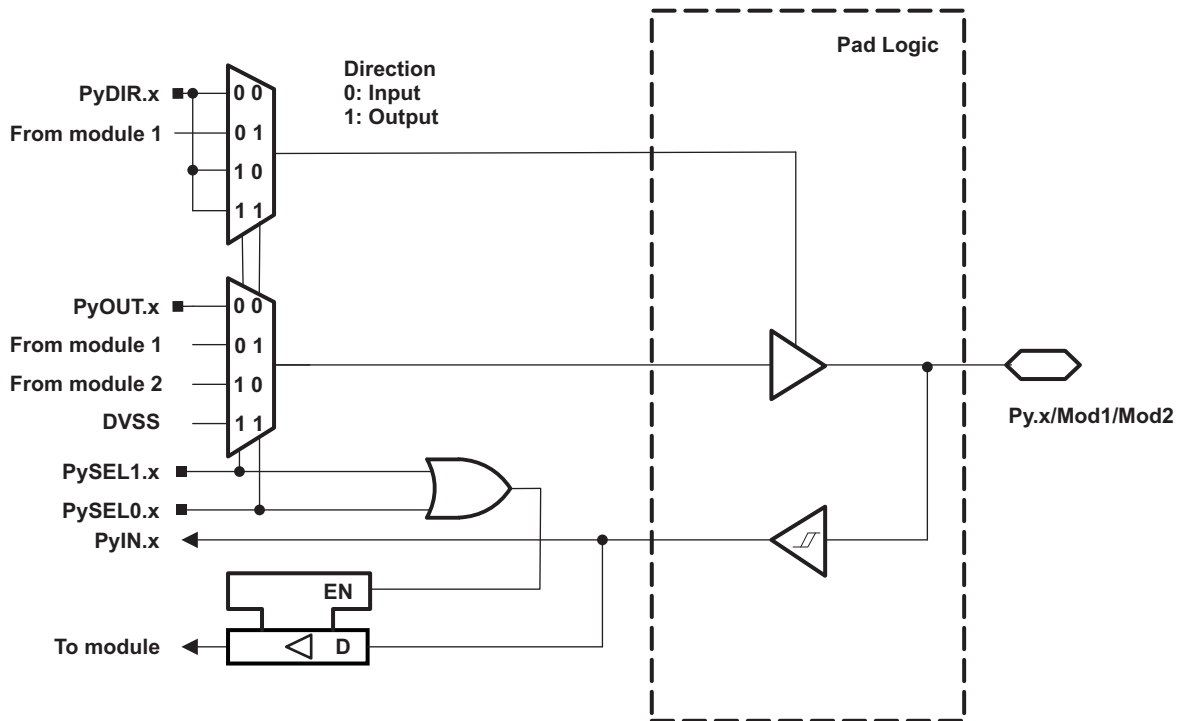
**Table 6-11. Port P1 (P1.0 to P1.3) Pin Functions**

PIN NAME (P1.x)	x	FUNCTION	CONTROL BITS OR SIGNALS <sup>(1)</sup>			
			P1DIR.x	P1SEL1.x	P1SEL0.x	JTAG Enable
P1.0/UCA0STE/MCLK/TCK	0	P1.0 (I/O) <sup>(2)</sup>	I: 0; O: 1	0	0	0
		UCA0STE	X <sup>(3)</sup>	0	1	0
		N/A	0	1	0	0
		MCLK	1			
		N/A	0	1	1	0
		DVSS	1			
		TCK <sup>(4)</sup>	X	X	X	1
P1.1/UCA0CLK/SMCLK/TMS	1	P1.1 (I/O) <sup>(2)</sup>	I: 0; O: 1	0	0	0
		UCA0CLK	X <sup>(3)</sup>	0	1	0
		N/A	0	1	0	0
		SMCLK	1			
		N/A	0	1	1	0
		DVSS	1			
		TMS <sup>(4)</sup>	X	X	X	1
P1.2/UCA0RXD/UCA0SOMI/ ACLK/TDI/TCLK	2	P1.2 (I/O) <sup>(2)</sup>	I: 0; O: 1	0	0	0
		UCA0RXD/UCA0SOMI	X <sup>(3)</sup>	0	1	0
		N/A	0	1	0	0
		ACLK	1			
		N/A	0	1	1	0
		DVSS	1			
		TDI/TCLK <sup>(4)</sup>	X	X	X	1
P1.3/UCA0TXD/UCA0SIMO/ TA0CLK/TDO/TDI	3	P1.3 (I/O) <sup>(2)</sup>	I: 0; O: 1	0	0	0
		UCA0TXD/UCA0SIMO	X <sup>(3)</sup>	0	1	0
		TA0CLK	0	1	0	0
		DVSS	1			
		N/A	0	1	1	0
		DVSS	1			
		TDO/TDI <sup>(4)</sup>	X	X	X	1

- (1) X = Don't care
- (2) Default condition.
- (3) Direction controlled by eUSCI\_A0 module.
- (4) The pin direction is controlled by the JTAG module. The JTAG mode selection is made via the Spy-Bi-Wire four wire entry sequence. Neither P1SEL0.x and P1SEL1.x nor P1DIR.x have an effect in these cases.



### 6.10.10.2 Port P1, P1.4 to P1.7, Input/Output With Schmitt Trigger



NOTE: Functional representation only.

Figure 6-8. Py.x/Mod1/Mod2 Pin Schematic

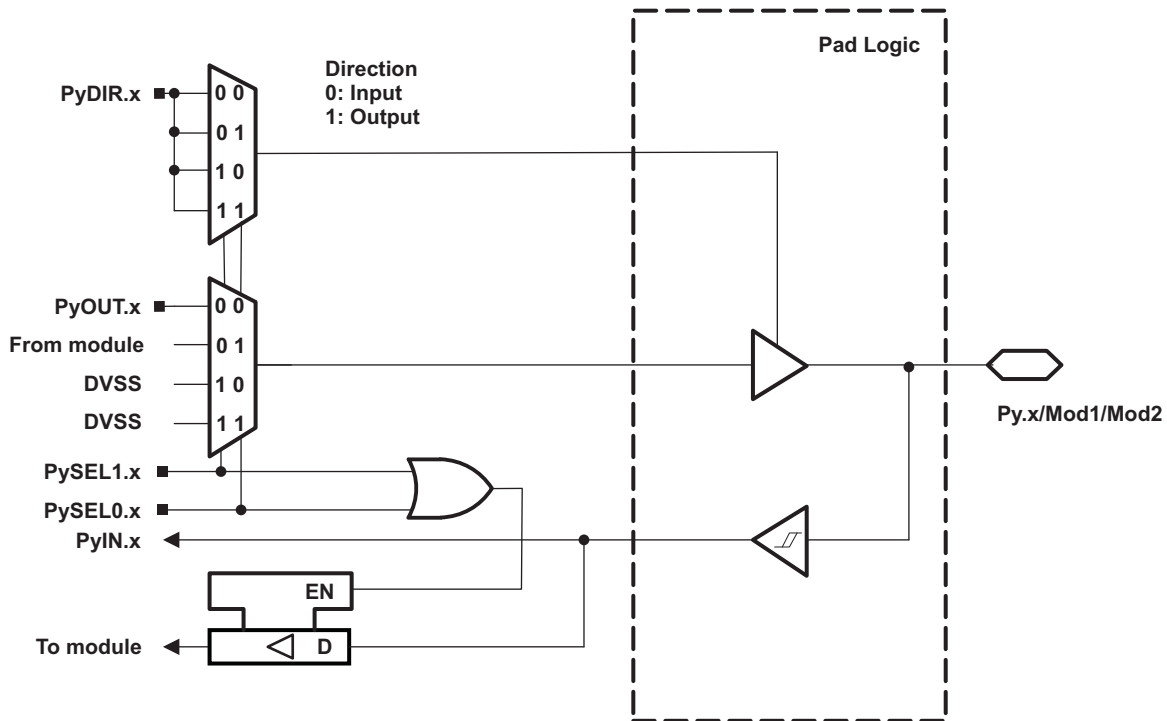
**Table 6-12. Port P1 (P1.4 to P1.7) Pin Functions**

PIN NAME (P1.x)	x	FUNCTION	CONTROL BITS OR SIGNALS <sup>(1)</sup>		
			P1DIR.x	P1SEL1.x	P1SEL0.x
P1.4/UCB0STE/TA0.0	4	P1.4 (I/O)	I: 0; O: 1	0	0
		UCB0STE	X <sup>(2)</sup>	0	1
		TA0.CCI0A	0	1	0
		TA0.0	1		
		N/A	0	1	1
		DVSS	1		
P1.5/UCB0CLK/TA0.1	5	P1.5 (I/O)	I: 0; O: 1	0	0
		UCB0CLK	X <sup>(2)</sup>	0	1
		TA0.CCI1A	0	1	0
		TA0.1	1		
		N/A	0	1	1
		DVSS	1		
P1.6/UCB0SCL/UCB0SOMI/ TA0.2	6	P1.6 (I/O)	I: 0; O: 1	0	0
		UCB0SCL/UCB0SOMI	X <sup>(2)</sup>	0	1
		TA0.CCI2A	0	1	0
		TA0.2	1		
		N/A	0	1	1
		DVSS	1		
P1.7/UCB0SDA/UCB0SIMO/ TA1CLK	7	P1.7 (I/O)	I: 0; O: 1	0	0
		UCB0SDA/UCB0SIMO	X <sup>(2)</sup>	0	1
		TA1CLK	0	1	0
		DVSS	1		
		N/A	0	1	1
		DVSS	1		

(1) X = Don't care

(2) Direction controlled by eUSCI\_B0 module.

6.10.10.3 Port P2, P2.0 to P2.2 and P2.4 to P2.7, Input/Output With Schmitt Trigger



NOTE: Functional representation only.

Figure 6-9. Py.x/Mod1/Mod2 Pin Schematic

Table 6-13. Port P2 (P2.0 to P2.2 and P2.4 to P2.7) Pin Functions

PIN NAME (P2.x)	x	FUNCTION	CONTROL BITS OR SIGNALS		
			P2DIR.x	P2SEL1.x	P2SEL0.x
P2.0/TA1.0/CLKIN	0	P2.0 (I/O)	I: 0; O: 1	0	0
		TA1.CCI0A	0	0	1
		TA1.0	1	0	1
		CLKIN (DCO bypass clock)	0	1	0
		DVSS	1	1	0
		N/A	0	1	1
		DVSS	1	1	1
P2.1/TA1.1	1	P2.1 (I/O)	I: 0; O: 1	0	0
		TA1.CCI1A	0	0	1
		TA1.1	1	0	1
		N/A	0	1	0
		DVSS	1	1	0
		N/A	0	1	1
		DVSS	1	1	1
P2.2/TA1.2	2	P2.2 (I/O)	I: 0; O: 1	0	0
		TA1.CCI2A	0	0	1
		TA1.2	1	0	1
		N/A	0	1	0
		DVSS	1	1	0
		N/A	0	1	1
		DVSS	1	1	1

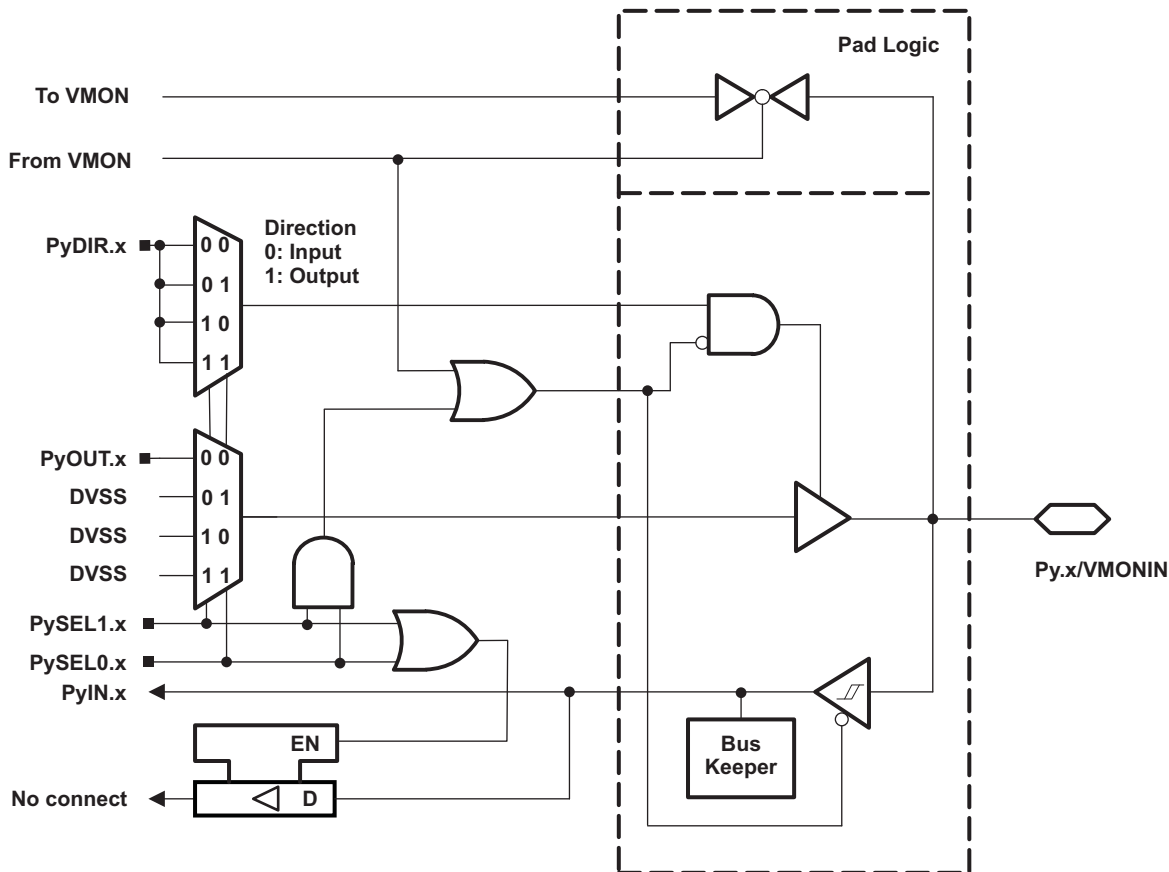
**Table 6-13. Port P2 (P2.0 to P2.2 and P2.4 to P2.7) Pin Functions (continued)**

PIN NAME (P2.x)	x	FUNCTION	CONTROL BITS OR SIGNALS		
			P2DIR.x	P2SEL1.x	P2SEL0.x
P2.4/TA1.0 <sup>(1)</sup>	4	P2.4 (I/O)	I: 0; O: 1	0	0
		TA1.CCI0B	0	0	1
		TA1.0	1		
		N/A	0	1	0
		DVSS	1		
		N/A	0		
		DVSS	1	1	1
P2.5/TA0.0 <sup>(1)</sup>	5	P2.5 (I/O)	I: 0; O: 1	0	0
		TA0.CCI0B	0	0	1
		TA0.0	1		
		N/A	0	1	0
		DVSS	1		
		N/A	0		
		DVSS	1	1	1
P2.6/TA0.1 <sup>(2)</sup>	6	P2.6 (I/O)	I: 0; O: 1	0	0
		N/A	0	0	1
		TA0.1	1		
		N/A	0	1	0
		DVSS	1		
		N/A	0		
		DVSS	1	1	1
P2.7/TA0.2 <sup>(2)</sup>	7	P2.7 (I/O)	I: 0; O: 1	0	0
		N/A	0	0	1
		TA0.2	1		
		N/A	0	1	0
		DVSS	1		
		N/A	0		
		DVSS	1	1	1

(1) Available only on 32-Pin RHB devices.

(2) Available only on 32-Pin RHB devices.

### 6.10.10.4 Port P2, P2.3, Input/Output With Schmitt Trigger



NOTE: Functional representation only.

Figure 6-10. Py.x/VMONIN Pin Schematic

Table 6-14. Port P2 (P2.3) Pin Functions

PIN NAME (P2.x)	x	FUNCTION	CONTROL BITS OR SIGNALS <sup>(1)</sup>		
			P2DIR.x	P2SEL1.x	P2SEL0.x
P2.3/VMONIN	3	P2.3 (I/O)	I: 0; O: 1	0	0
		N/A	0	0	1
		DVSS	1		
		N/A	0	1	0
		DVSS	1		
		VMONIN <sup>(2)</sup>	X	1	1

(1) X = Don't care

(2) Setting P2SEL1.3 and P2SEL0.3 disables the output driver and the input Schmitt trigger to prevent parasitic cross currents when applying voltage at VMONIN pin. To enable the VMONIN function, VMONLVLx bits must be set to 3'b111 in the VMONCTL register.

### 6.10.11 Device Descriptor

Table 6-15 lists the contents of the tag-length-value (TLV) device descriptor structure for the MSP430i204x, MSP430i203x, MSP430i202x devices.

**Table 6-15. MSP430i204x, MSP430i203x, MSP430i202x TLV**

	Description	Address	Size (Bytes)	Value
<b>Checksum</b>	TLV checksum	013C0h	2	per unit
<b>Die Record</b>	Die Record Tag	013C2h	1	01h
	Die Record Length	013C3h	1	0Ah
	Lot/Wafer ID	013C4h	4	per unit
	Die X position	013C8h	2	per unit
	Die Y position	013CAh	2	per unit
	Test results	013CCh	2	per unit
<b>REF Calibration</b>	REF Calibration Tag	013CEh	1	02h
	REF Calibration Length	013CFh	1	02h
	Calibrate REF – for REFCAL1 register	013D0h	1	per unit
	Calibrate REF – for REFCAL0 register	013D1h	1	per unit
<b>DCO Calibration</b>	DCO Calibration Tag	013D2h	1	03h
	DCO Calibration Length	013D3h	1	04h
	Calibrate DCO – for CSIRFCAL register	013D4h	1	per unit
	Calibrate DCO – for CSIRTCAL register	013D5h	1	per unit
	Calibrate DCO – for CSERFCAL register	013D6h	1	per unit
	Calibrate DCO – for CSERTCAL register	013D7h	1	per unit
<b>SD24 Calibration</b>	SD24 Calibration Tag	013D8h	1	04h
	SD24 Calibration Length	013D9h	1	02h
	Calibrate SD24 – for SD24TRIM register	013DAh	1	per unit
	Empty	013DBh	1	FFh
<b>Empty</b>	Tag Empty	013DCh	1	FEh
	Empty Length	013DDh	1	22h
	Empty	013DEh	34	FFh

## 6.11 Memory

Table 6-16 shows the memory organization for the specified devices.

**Table 6-16. Memory Organization**

		<b>MSP430i2040 MSP430i2030 MSP430i2020</b>	<b>MSP430i2041 MSP430i2031 MSP430i2021</b>
Memory	Size	16 KB	32 KB
Main: interrupt vector	Flash	0xFFFF to 0xFFE0	0xFFFF to 0xFFE0
Main: code memory	Flash	0xFFFF to 0xC000	0xFFFF to 0x8000
Information memory	Size Flash	1 KB 0x13FFh to 0x1000	1 KB 0x13FFh to 0x1000
RAM	Size	1 KB 0x05FF to 0x0200	2 KB 0x09FF to 0x0200
Peripherals	16-bit	0x01FF to 0x0100	0x01FF to 0x0100
	8-bit	0x00FF to 0x0010	0x00FF to 0x0010
	8-bit SFR	0x000F to 0x0000	0x000F to 0x0000

### 6.11.1 Peripheral File Map

Table 6-17 lists the peripherals that support word access, and Table 6-18 lists the peripherals that support byte access. Peripherals that support both access types are listed in both tables.

**Table 6-17. Peripherals With Word Access**

MODULE	REGISTER DESCRIPTION	REGISTER NAME	ADDRESS
<b>SYS</b>	JTAG disable register	SYSJTAGDIS	0x01FE
<b>Timer TA1</b>	Capture/compare register 2	TA1CCR2	0x0196
	Capture/compare register 1	TA1CCR1	0x0194
	Capture/compare register 0	TA1CCR0	0x0192
	Timer_A register	TA1R	0x0190
	Capture/compare control 2	TA1CCTL2	0x0186
	Capture/compare control 1	TA1CCTL1	0x0184
	Capture/compare control 0	TA1CCTL0	0x0182
	Timer_A control	TA1CTL	0x0180
	Timer_A interrupt vector	TA1IV	0x011E
<b>Timer TA0</b>	Capture/compare register 2	TA0CCR2	0x0176
	Capture/compare register 1	TA0CCR1	0x0174
	Capture/compare register 0	TA0CCR0	0x0172
	Timer_A register	TA0R	0x0170
	Capture/compare control 2	TA0CCTL2	0x0166
	Capture/compare control 1	TA0CCTL1	0x0164
	Capture/compare control 0	TA0CCTL0	0x0162
	Timer_A control	TA0CTL	0x0160
	Timer_A interrupt vector	TA0IV	0x012E
<b>eUSCI_A0</b>	USCI_A control word 0	UCA0CTLW0	0x0140
	USCI_A control word 1	UCA0CTLW1	0x0142
	USCI_A baud rate 0	UCA0BR0	0x0146
	USCI_A baud rate 1	UCA0BR1	0x0147
	USCI_A modulation control	UCA0MCTLW	0x0148
	USCI_A status	UCA0STAT	0x014A
	USCI_A receive buffer	UCA0RXBUF	0x014C
	USCI_A transmit buffer	UCA0TXBUF	0x014E
	USCI_A LIN control	UCA0ABCTL	0x0150
	USCI_A IrDA transmit control	UCA0IRTCTL	0x0152
	USCI_A IrDA receive control	UCA0IRRCTL	0x0153
	USCI_A interrupt enable	UCA0IE	0x015A
	USCI_A interrupt flags	UCA0IFG	0x015C
	USCI_A interrupt vector word	UCA0IV	0x015E



**Table 6-17. Peripherals With Word Access (continued)**

MODULE	REGISTER DESCRIPTION	REGISTER NAME	ADDRESS
<b>eUSCI_B0</b>	USCI_B control word 0	UCB0CTLW0	0x01C0
	USCI_B control word 1	UCB0CTLW1	0x01C2
	USCI_B bit rate 0	UCB0BR0	0x01C6
	USCI_B bit rate 1	UCB0BR1	0x01C7
	USCI_B status word	UCB0STATW	0x01C8
	USCI_B byte counter threshold	UCB0TBCNT	0x01CA
	USCI_B receive buffer	UCB0RXBUF	0x01CC
	USCI_B transmit buffer	UCB0TXBUF	0x01CE
	USCI_B I2C own address 0	UCB0I2COA0	0x01D4
	USCI_B I2C own address 1	UCB0I2COA1	0x01D6
	USCI_B I2C own address 2	UCB0I2COA2	0x01D8
	USCI_B I2C own address 3	UCB0I2COA3	0x01DA
	USCI_B received address	UCB0ADDRX	0x01DC
	USCI_B address mask	UCB0ADDMASK	0x01DE
	USCI I2C slave address	UCB0I2CSA	0x01E0
	USCI interrupt enable	UCB0IE	0x01EA
	USCI interrupt flags	UCB0IFG	0x01EC
	USCI interrupt vector word	UCB0IV	0x01EE
<b>Hardware Multiplier</b>	Sum extend	SUMEXT	0x013E
	Result high word	RESHI	0x013C
	Result low word	RESLO	0x013A
	Second operand	OP2	0x0138
	Multiply signed + accumulate/operand 1	MACS	0x0136
	Multiply + accumulate/operand 1	MAC	0x0134
	Multiply signed/operand 1	MPYS	0x0132
	Multiply unsigned/operand 1	MPY	0x0130
<b>Flash Memory</b>	Flash control 3	FCTL3	0x012C
	Flash control 2	FCTL2	0x012A
	Flash control 1	FCTL1	0x0128
<b>Watchdog Timer</b>	Watchdog/timer control	WDTCTL	0x0120
<b>SD24</b> (See also: <a href="#">Table 6-18</a> )	SD24 interrupt vector word register	SD24IV	0x01F0
	Channel 3 conversion memory <sup>(1)(2)</sup>	SD24MEM3	0x0116
	Channel 2 conversion memory <sup>(2)</sup>	SD24MEM2	0x0114
	Channel 1 conversion memory	SD24MEM1	0x0112
	Channel 0 conversion memory	SD24MEM0	0x0110
	Channel 3 control <sup>(1)(2)</sup>	SD24CCTL3	0x0108
	Channel 2 control <sup>(2)</sup>	SD24CCTL2	0x0106
	Channel 1 control	SD24CCTL1	0x0104
	Channel 0 control	SD24CCTL0	0x0102
	General Control	SD24CTL	0x0100

(1) Not available on MSP430i2031, MSP430i2030 devices.

(2) Not available on MSP430i2021, MSP430i2020 devices.

**Table 6-18. Peripherals With Byte Access**

MODULE	REGISTER DESCRIPTION	REGISTER NAME	ADDRESS
<b>SD24</b> (See also: <a href="#">Table 6-17</a> )	SD24 trim	SD24TRIM	0x00BF
	Channel 3 preload <sup>(1)(2)</sup>	SD24PRE3	0x00BB
	Channel 2 preload <sup>(2)</sup>	SD24PRE2	0x00BA
	Channel 1 preload	SD24PRE1	0x00B9
	Channel 0 preload	SD24PRE0	0x00B8
	Channel 3 input control <sup>(1)(2)</sup>	SD24INCTL3	0x00B3
	Channel 2 input control <sup>(2)</sup>	SD24INCTL2	0x00B2
	Channel 1 input control	SD24INCTL1	0x00B1
	Channel 0 input control	SD24INCTL0	0x00B0
<b>PMM</b>	Reference calibration 1	REFCAL1	0x0063
	Reference calibration 0	REFCAL0	0x0062
	Voltage monitor control	VMONCTL	0x0061
	LPM4.5 control	LPM45CTL	0x0060
<b>Clock System</b>	Clock system external resistor temperature calibration	CSERTCAL	0x0055
	Clock system external resistor frequency calibration	CSERFCAL	0x0054
	Clock system internal resistor temperature calibration	CSIRTCAL	0x0053
	Clock system internal resistor frequency calibration	CSIRFCAL	0x0052
	Clock system control 1	CSCTL1	0x0051
	Clock system control 0	CSCTL0	0x0050
<b>Port P2</b>	Port P2 interrupt flag	P2IFG	0x002D
	Port P2 interrupt enable	P2IE	0x002B
	Port P2 interrupt edge select	P2IES	0x0029
	Port P2 interrupt vector word	P2IV	0x002E
	Port P2 selection 1	P2SEL1	0x001D
	Port P2 selection 0	P2SEL0	0x001B
	Port P2 direction	P2DIR	0x0015
	Port P2 output	P2OUT	0x0013
	Port P2 input	P2IN	0x0011
<b>Port P1</b>	Port P1 interrupt flag	P1IFG	0x002C
	Port P1 interrupt enable	P1IE	0x002A
	Port P1 interrupt edge select	P1IES	0x0028
	Port P1 interrupt vector word	P1IV	0x001E
	Port P1 selection 1	P1SEL1	0x001C
	Port P1 selection 0	P1SEL0	0x001A
	Port P1 direction	P1DIR	0x0014
	Port P1 output	P1OUT	0x0012
	Port P1 input	P1IN	0x0010
<b>Special Function</b>	SFR interrupt flag 1	IFG1	0x0002
	SFR interrupt enable 1	IE1	0x0000

(1) Not available on MSP430i2031, MSP430i2030 devices.

(2) Not available on MSP430i2021, MSP430i2020 devices.

## 6.12 Identification

### 6.12.1 Device Identification

The device type can be identified from the top-side marking on the device package. Refer to the TI web site at the following address for help with Part Mark Look Up: <http://focus.ti.com/quality/docs/gencontent.tsp?templateId=5909&navigationId=12626&contentId=5071>

### 6.12.2 JTAG Identification

Programming through the JTAG interface, including reading and identifying the JTAG ID, is described in detail in the *MSP430 Programming Via the JTAG Interface User's Guide* ([SLAU320](#)).

## 7 Applications, Implementation, and Layout

The following resources provide application guidelines and best practices when designing with the MSP430i20xx devices.

### ***Implementation of a One- or Two-Phase Electronic Watt-Hour Meter Using MSP430i20xx*** ([SLAA637](#))

This application report describes the implementation of a low-cost one- or two-phase electronic electricity meter that uses the Texas Instruments MSP430i20xx metering processor. This application report includes the necessary information with regard to metrology software and hardware procedures for this single-chip implementation.

### ***Single-Phase and DC Embedded Metering Power Using MSP430i2040*** ([SLAA638](#))

This report describes an EVM design that uses the MSP430i2040 microcontroller in the application of embedded metering (sub-metering). In this application space, the electricity measuring device is embedded in the end application and provides the user with information about the voltage, current, and power consumption of the device. In addition, the EVM can compensate for the line resistance and EMI filter capacitance.

### ***Single-Phase AC and DC Power Monitor With Wire Resistance and EMI Capacitor Compensation*** ([TIDM-SERVER\\_PWR\\_MON](#))

This reference design shows the application of a single-phase ac and dc power monitor (server power monitor) using the MSP430i2040 microcontroller.

#### **Hardware Features**

- Spy-Bi-Wire debugging interface
- 14-pin debugger connector allows direct interface to MSP-FET430UIF without the need for an adaptor
- Built-in switching mode power supply that can be supplied by 85 to 265 VAC (47 Hz to 63 Hz) or 120 to 380 VDC simplifies evaluation setup
- Built-in RS232 external communication interface for reading measurements and performing calibration
- Seven built-in LEDs for customer debugging and visual monitoring

#### **Software Features**

- Measurement of root mean square voltage, root mean square current, active power, reactive power, apparent power, power factor, ac frequency, voltage THD, current THD, fundamental voltage, fundamental current, and fundamental active power
- Readings update every four ac cycles or every 80 ms in case of dc input
- Capable of ac and dc measurement
- Capable of switching between ac and dc measurement mode automatically
- Capable of doing EMI filter capacitor and wire resistance compensation
- No separate dc calibration required

### ***Three-Outlet Smart Power Strip*** ([TIDM-3OUTSMTSTRP](#))

This reference design shows the application of a 3-socket power strip with power consumption measuring capability using the MSP430i2040 microcontroller.

#### **Features**

- Measures individual power and current of 3 socket outlets
- Built-in relay for further functionality expansion:
  - Switch off an output based on user current limit setting
  - Switch on or off an output based on user set master current trigger level
- Supports latched and nonlatched relay
- Built-in power supply and debugging interface

- On-board connector to external communication modules:
  - Isolated serial (on first version)
  - Wi-Fi<sup>®</sup> (to be added in later version)
  - *Bluetooth*<sup>®</sup> (to be added in later version)

## 8 Device and Documentation Support

### 8.1 Device Support

#### 8.1.1 Getting Started

For more information on the MSP430™ family of devices and the tools and libraries that are available to help with your development, visit the [Getting Started page](#).

#### 8.1.2 Development Tools Support

All MSP430 microcontrollers are supported by a wide variety of software and hardware development tools. Tools are available from TI and various third parties. See them all at [www.ti.com/msp430tools](http://www.ti.com/msp430tools).

##### 8.1.2.1 Hardware Features

See the *Code Composer Studio for MSP430 User's Guide (SLAU157)* for details on the available features.

MSP430 Architecture	4-Wire JTAG	2-Wire JTAG	Breakpoints (N)	Range Breakpoints	Clock Control	State Sequencer	Trace Buffer	LPMx.5 Debugging Support
MSP430	Yes	Yes	2	No	Yes (General clock control)	No	No	No (Must reconnect after LPMx.5)

##### 8.1.2.2 Recommended Hardware Options

###### 8.1.2.2.1 Target Socket Boards

The target socket boards allow easy programming and debugging of the device using JTAG. They also feature header pin outs for prototyping. Target socket boards are orderable individually or as a kit with the JTAG programmer and debugger included. The following table shows the compatible target boards and the supported packages.

Package	Target Board and Programmer Bundle	Target Board Only
32-pin VQFN (RHB)	<a href="#">MSP-FET430U32A</a>	<a href="#">MSP-TS430RHB32A</a>

###### 8.1.2.2.2 Experimenter Boards

Experimenter Boards and Evaluation kits are available for some MSP430 devices. These kits feature additional hardware components and connectivity for full system evaluation and prototyping. See [www.ti.com/msp430tools](http://www.ti.com/msp430tools) for details.

###### 8.1.2.2.3 Debugging and Programming Tools

Hardware programming and debugging tools are available from TI and from its third party suppliers. See the full list of available tools at [www.ti.com/msp430tools](http://www.ti.com/msp430tools).

###### 8.1.2.2.4 Production Programmers

The production programmers expedite loading firmware to devices by programming several devices simultaneously.

Part Number	PC Port	Features	Provider
<a href="#">MSP-GANG</a>	Serial and USB	Program up to eight devices at a time. Works with PC or standalone.	Texas Instruments

### 8.1.2.3 Recommended Software Options

#### 8.1.2.3.1 Integrated Development Environments

Software development tools are available from TI or from third parties. Open source solutions are also available.

This device is supported by Code Composer Studio™ IDE (CCS).

#### 8.1.2.3.2 MSP430Ware

[MSP430Ware](#) is a collection of code examples, data sheets, and other design resources for all MSP430 devices delivered in a convenient package. In addition to providing a complete collection of existing MSP430 design resources, MSP430Ware also includes a high-level API called MSP430 Driver Library. This library makes it easy to program MSP430 hardware. MSP430Ware is available as a component of CCS or as a standalone package.

#### 8.1.2.3.3 Command-Line Programmer

[MSP430 Flasher](#) is an open-source, shell-based interface for programming MSP430 microcontrollers through a FET programmer or eZ430 using JTAG or Spy-Bi-Wire (SBW) communication. MSP430 Flasher can be used to download binary files (.txt or .hex) files directly to the MSP430 Flash without the need for an IDE.

### 8.1.3 Device and Development Tool Nomenclature

To designate the stages in the product development cycle, TI assigns prefixes to the part numbers of all MSP430 MCU devices and support tools. Each MSP430 MCU commercial family member has one of three prefixes: MSP, PMS, or XMS (for example, MSP430i2041). Texas Instruments recommends two of three possible prefix designators for its support tools: MSP and MSPX. These prefixes represent evolutionary stages of product development from engineering prototypes (with XMS for devices and MSPX for tools) through fully qualified production devices and tools (with MSP for devices and MSP for tools).

Device development evolutionary flow:

**XMS** – Experimental device that is not necessarily representative of the final device's electrical specifications

**PMS** – Final silicon die that conforms to the device's electrical specifications but has not completed quality and reliability verification

**MSP** – Fully qualified production device

Support tool development evolutionary flow:

**MSPX** – Development-support product that has not yet completed Texas Instruments internal qualification testing.

**MSP** – Fully-qualified development-support product

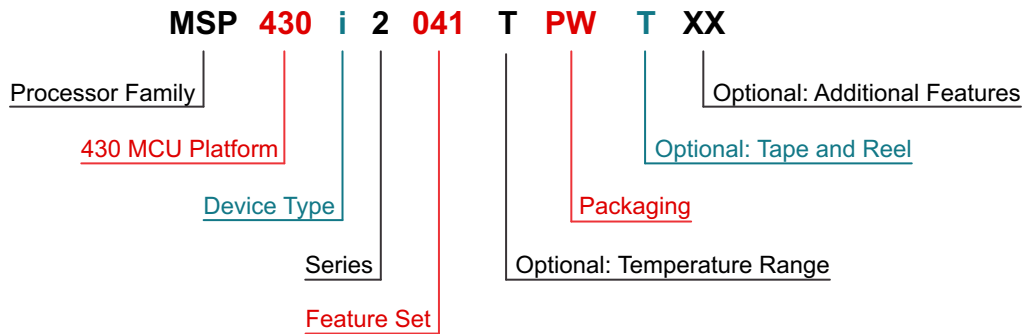
XMS and PMS devices and MSPX development-support tools are shipped against the following disclaimer:

"Developmental product is intended for internal evaluation purposes."

MSP devices and MSP development-support tools have been characterized fully, and the quality and reliability of the device have been demonstrated fully. TI's standard warranty applies.

Predictions show that prototype devices (XMS and PMS) have a greater failure rate than the standard production devices. Texas Instruments recommends that these devices not be used in any production system because their expected end-use failure rate still is undefined. Only qualified production devices are to be used.

TI device nomenclature also includes a suffix with the device family name. This suffix indicates the package type (for example, PW) and temperature range (for example, T). [Figure 8-1](#) provides a legend for reading the complete device name for any family member.



<b>Processor Family</b>	MSP = Mixed-Signal Processor XMS = Experimental Silicon
<b>430 MCU Platform</b>	TI's Microcontroller Platform
<b>Device Type</b>	<b>Specialized Application</b> i = Flash Industrial
<b>Series</b>	2 Series = Up to 16.384 MHz
<b>Feature Set</b>	Various Levels of Integration Within a Series
<b>Optional: Temperature Range</b>	T = -40°C to 105°C
<b>Packaging</b>	<a href="http://www.ti.com/packaging">www.ti.com/packaging</a>
<b>Optional: Tape and Reel</b>	T = Small Reel R = Large Reel No Markings = Tube or Tray
<b>Optional: Additional Features</b>	-EP = Enhanced Product (-40°C to 105°C) -HT = Extreme Temperature Parts (-55°C to 150°C) -Q1 = Automotive Q100 Qualified

**Figure 8-1. Device Nomenclature**



## 8.2 Documentation Support

The following documents describe the MSP430i20xx MCUs. Copies of these documents are available on the Internet at [www.ti.com](http://www.ti.com).

[SLAU335](#) *MSP430i2xx Family User's Guide*. Detailed description of all modules and peripherals available in this device family.

## 8.3 Related Links

[Table 8-1](#) lists quick access links. Categories include technical documents, support and community resources, tools and software, and quick access to sample or buy.

**Table 8-1. Related Links**

PARTS	PRODUCT FOLDER	SAMPLE & BUY	TECHNICAL DOCUMENTS	TOOLS & SOFTWARE	SUPPORT & COMMUNITY
MSP430i2041	<a href="#">Click here</a>	<a href="#">Click here</a>	<a href="#">Click here</a>	<a href="#">Click here</a>	<a href="#">Click here</a>
MSP430i2040	<a href="#">Click here</a>	<a href="#">Click here</a>	<a href="#">Click here</a>	<a href="#">Click here</a>	<a href="#">Click here</a>
MSP430i2031	<a href="#">Click here</a>	<a href="#">Click here</a>	<a href="#">Click here</a>	<a href="#">Click here</a>	<a href="#">Click here</a>
MSP430i2030	<a href="#">Click here</a>	<a href="#">Click here</a>	<a href="#">Click here</a>	<a href="#">Click here</a>	<a href="#">Click here</a>
MSP430i2021	<a href="#">Click here</a>	<a href="#">Click here</a>	<a href="#">Click here</a>	<a href="#">Click here</a>	<a href="#">Click here</a>
MSP430i2020	<a href="#">Click here</a>	<a href="#">Click here</a>	<a href="#">Click here</a>	<a href="#">Click here</a>	<a href="#">Click here</a>

## 8.4 Community Resources

The following links connect to TI community resources. Linked contents are provided "AS IS" by the respective contributors. They do not constitute TI specifications and do not necessarily reflect TI's views; see TI's [Terms of Use](#).

### [TI E2E™ Community](#)

*TI's Engineer-to-Engineer (E2E) Community*. Created to foster collaboration among engineers. At [e2e.ti.com](http://e2e.ti.com), you can ask questions, share knowledge, explore ideas, and help solve problems with fellow engineers.

### [TI Embedded Processors Wiki](#)

*Texas Instruments Embedded Processors Wiki*. Established to help developers get started with embedded processors from Texas Instruments and to foster innovation and growth of general knowledge about the hardware and software surrounding these devices.

## 8.5 Trademarks

MSP430, Code Composer Studio, E2E are trademarks of Texas Instruments.

*Bluetooth* is a registered trademark of Bluetooth SIG.

Wi-Fi is a registered trademark of Wi-Fi Alliance.

All other trademarks are the property of their respective owners.

## 8.6 Electrostatic Discharge Caution



This integrated circuit can be damaged by ESD. Texas Instruments recommends that all integrated circuits be handled with appropriate precautions. Failure to observe proper handling and installation procedures can cause damage.

ESD damage can range from subtle performance degradation to complete device failure. Precision integrated circuits may be more susceptible to damage because very small parametric changes could cause the device not to meet its published specifications.

## 8.7 Glossary

[SLYZ022](#) — *TI Glossary*.

This glossary lists and explains terms, acronyms, and definitions.

# 9 Mechanical Packaging and Orderable Information

## 9.1 Packaging Information

The following pages include mechanical packaging and orderable information. This information is the most current data available for the designated devices. This data is subject to change without notice and revision of this document. For browser-based versions of this data sheet, refer to the left-hand navigation.

**PACKAGING INFORMATION**

Orderable Device	Status (1)	Package Type	Package Drawing	Pins	Package Qty	Eco Plan (2)	Lead/Ball Finish (6)	MSL Peak Temp (3)	Op Temp (°C)	Device Marking (4/5)	Samples
MSP430I2020TPW	ACTIVE	TSSOP	PW	28	50	Green (RoHS & no Sb/Br)	CU NIPDAU	Level-2-260C-1 YEAR	-40 to 105	I2020T	<a href="#">Samples</a>
MSP430I2020TPWR	ACTIVE	TSSOP	PW	28	2000	Green (RoHS & no Sb/Br)	CU NIPDAU	Level-2-260C-1 YEAR	-40 to 105	I2020T	<a href="#">Samples</a>
MSP430I2020TRHBR	ACTIVE	VQFN	RHB	32	3000	Green (RoHS & no Sb/Br)	CU NIPDAU	Level-2-260C-1 YEAR	-40 to 105	I2020T	<a href="#">Samples</a>
MSP430I2020TRHBT	ACTIVE	VQFN	RHB	32	250	Green (RoHS & no Sb/Br)	CU NIPDAU	Level-2-260C-1 YEAR	-40 to 105	I2020T	<a href="#">Samples</a>
MSP430I2021TPW	ACTIVE	TSSOP	PW	28	50	Green (RoHS & no Sb/Br)	CU NIPDAU	Level-2-260C-1 YEAR	-40 to 105	I2021T	<a href="#">Samples</a>
MSP430I2021TPWR	ACTIVE	TSSOP	PW	28	2000	Green (RoHS & no Sb/Br)	CU NIPDAU	Level-2-260C-1 YEAR	-40 to 105	I2021T	<a href="#">Samples</a>
MSP430I2021TRHBR	ACTIVE	VQFN	RHB	32	3000	Green (RoHS & no Sb/Br)	CU NIPDAU	Level-2-260C-1 YEAR	-40 to 105	I2021T	<a href="#">Samples</a>
MSP430I2021TRHBT	ACTIVE	VQFN	RHB	32	250	Green (RoHS & no Sb/Br)	CU NIPDAU	Level-2-260C-1 YEAR	-40 to 105	I2021T	<a href="#">Samples</a>
MSP430I2030TPW	ACTIVE	TSSOP	PW	28	50	Green (RoHS & no Sb/Br)	CU NIPDAU	Level-2-260C-1 YEAR	-40 to 105	I2030T	<a href="#">Samples</a>
MSP430I2030TPWR	ACTIVE	TSSOP	PW	28	2000	Green (RoHS & no Sb/Br)	CU NIPDAU	Level-2-260C-1 YEAR	-40 to 105	I2030T	<a href="#">Samples</a>
MSP430I2030TRHBR	ACTIVE	VQFN	RHB	32	3000	Green (RoHS & no Sb/Br)	CU NIPDAU	Level-2-260C-1 YEAR	-40 to 105	I2030T	<a href="#">Samples</a>
MSP430I2030TRHBT	ACTIVE	VQFN	RHB	32	250	Green (RoHS & no Sb/Br)	CU NIPDAU	Level-2-260C-1 YEAR	-40 to 105	I2030T	<a href="#">Samples</a>
MSP430I2031TPW	ACTIVE	TSSOP	PW	28	50	Green (RoHS & no Sb/Br)	CU NIPDAU	Level-2-260C-1 YEAR	-40 to 105	I2031T	<a href="#">Samples</a>
MSP430I2031TPWR	ACTIVE	TSSOP	PW	28	2000	Green (RoHS & no Sb/Br)	CU NIPDAU	Level-2-260C-1 YEAR	-40 to 105	I2031T	<a href="#">Samples</a>
MSP430I2031TRHBR	ACTIVE	VQFN	RHB	32	3000	Green (RoHS & no Sb/Br)	CU NIPDAU	Level-2-260C-1 YEAR	-40 to 105	I2031T	<a href="#">Samples</a>
MSP430I2031TRHBT	ACTIVE	VQFN	RHB	32	250	Green (RoHS & no Sb/Br)	CU NIPDAU	Level-2-260C-1 YEAR	-40 to 105	I2031T	<a href="#">Samples</a>
MSP430I2040TPW	ACTIVE	TSSOP	PW	28	50	Green (RoHS & no Sb/Br)	CU NIPDAU	Level-2-260C-1 YEAR	-40 to 105	I2040T	<a href="#">Samples</a>

Orderable Device	Status (1)	Package Type	Package Drawing	Pins	Package Qty	Eco Plan (2)	Lead/Ball Finish (6)	MSL Peak Temp (3)	Op Temp (°C)	Device Marking (4/5)	Samples
MSP430I2040TPWR	ACTIVE	TSSOP	PW	28	2000	Green (RoHS & no Sb/Br)	CU NIPDAU	Level-2-260C-1 YEAR	-40 to 105	I2040T	<a href="#">Samples</a>
MSP430I2040TRHBR	ACTIVE	VQFN	RHB	32	3000	Green (RoHS & no Sb/Br)	CU NIPDAU	Level-2-260C-1 YEAR	-40 to 105	I2040T	<a href="#">Samples</a>
MSP430I2040TRHBT	ACTIVE	VQFN	RHB	32	250	Green (RoHS & no Sb/Br)	CU NIPDAU	Level-2-260C-1 YEAR	-40 to 105	I2040T	<a href="#">Samples</a>
MSP430I2041TPW	ACTIVE	TSSOP	PW	28	50	Green (RoHS & no Sb/Br)	CU NIPDAU	Level-2-260C-1 YEAR	-40 to 105	I2041T	<a href="#">Samples</a>
MSP430I2041TPWR	ACTIVE	TSSOP	PW	28	2000	Green (RoHS & no Sb/Br)	CU NIPDAU	Level-2-260C-1 YEAR	-40 to 105	I2041T	<a href="#">Samples</a>
MSP430I2041TRHBR	ACTIVE	VQFN	RHB	32	3000	Green (RoHS & no Sb/Br)	CU NIPDAU	Level-2-260C-1 YEAR	-40 to 105	I2041T	<a href="#">Samples</a>
MSP430I2041TRHBT	ACTIVE	VQFN	RHB	32	250	Green (RoHS & no Sb/Br)	CU NIPDAU	Level-2-260C-1 YEAR	-40 to 105	I2041T	<a href="#">Samples</a>

(1) The marketing status values are defined as follows:

**ACTIVE:** Product device recommended for new designs.

**LIFEBUY:** TI has announced that the device will be discontinued, and a lifetime-buy period is in effect.

**NRND:** Not recommended for new designs. Device is in production to support existing customers, but TI does not recommend using this part in a new design.

**PREVIEW:** Device has been announced but is not in production. Samples may or may not be available.

**OBSELETE:** TI has discontinued the production of the device.

(2) Eco Plan - The planned eco-friendly classification: Pb-Free (RoHS), Pb-Free (RoHS Exempt), or Green (RoHS & no Sb/Br) - please check <http://www.ti.com/productcontent> for the latest availability information and additional product content details.

**TBD:** The Pb-Free/Green conversion plan has not been defined.

**Pb-Free (RoHS):** TI's terms "Lead-Free" or "Pb-Free" mean semiconductor products that are compatible with the current RoHS requirements for all 6 substances, including the requirement that lead not exceed 0.1% by weight in homogeneous materials. Where designed to be soldered at high temperatures, TI Pb-Free products are suitable for use in specified lead-free processes.

**Pb-Free (RoHS Exempt):** This component has a RoHS exemption for either 1) lead-based flip-chip solder bumps used between the die and package, or 2) lead-based die adhesive used between the die and leadframe. The component is otherwise considered Pb-Free (RoHS compatible) as defined above.

**Green (RoHS & no Sb/Br):** TI defines "Green" to mean Pb-Free (RoHS compatible), and free of Bromine (Br) and Antimony (Sb) based flame retardants (Br or Sb do not exceed 0.1% by weight in homogeneous material)

(3) MSL, Peak Temp. - The Moisture Sensitivity Level rating according to the JEDEC industry standard classifications, and peak solder temperature.

(4) There may be additional marking, which relates to the logo, the lot trace code information, or the environmental category on the device.

(5) Multiple Device Markings will be inside parentheses. Only one Device Marking contained in parentheses and separated by a "~" will appear on a device. If a line is indented then it is a continuation of the previous line and the two combined represent the entire Device Marking for that device.

<sup>(6)</sup> Lead/Ball Finish - Orderable Devices may have multiple material finish options. Finish options are separated by a vertical ruled line. Lead/Ball Finish values may wrap to two lines if the finish value exceeds the maximum column width.

**Important Information and Disclaimer:** The information provided on this page represents TI's knowledge and belief as of the date that it is provided. TI bases its knowledge and belief on information provided by third parties, and makes no representation or warranty as to the accuracy of such information. Efforts are underway to better integrate information from third parties. TI has taken and continues to take reasonable steps to provide representative and accurate information but may not have conducted destructive testing or chemical analysis on incoming materials and chemicals. TI and TI suppliers consider certain information to be proprietary, and thus CAS numbers and other limited information may not be available for release.

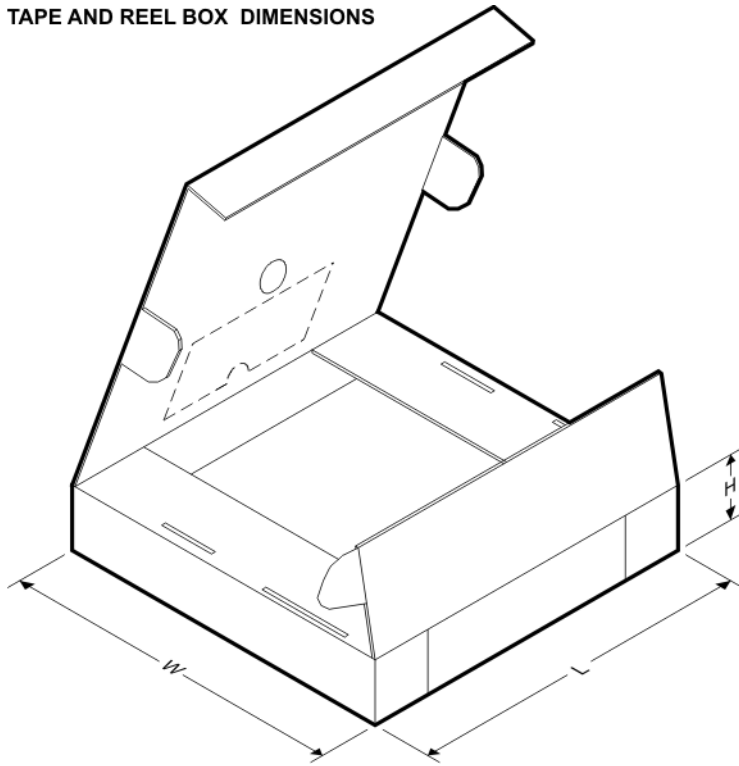
In no event shall TI's liability arising out of such information exceed the total purchase price of the TI part(s) at issue in this document sold by TI to Customer on an annual basis.

**TAPE AND REEL INFORMATION**

**QUADRANT ASSIGNMENTS FOR PIN 1 ORIENTATION IN TAPE**


\*All dimensions are nominal

Device	Package Type	Package Drawing	Pins	SPQ	Reel Diameter (mm)	Reel Width W1 (mm)	A0 (mm)	B0 (mm)	K0 (mm)	P1 (mm)	W (mm)	Pin1 Quadrant
MSP430I2020TPWR	TSSOP	PW	28	2000	330.0	16.4	6.9	10.2	1.8	12.0	16.0	Q1
MSP430I2020TRHBR	VQFN	RHB	32	3000	330.0	12.4	5.3	5.3	1.1	8.0	12.0	Q2
MSP430I2020TRHBT	VQFN	RHB	32	250	180.0	12.4	5.3	5.3	1.1	8.0	12.0	Q2
MSP430I2021TPWR	TSSOP	PW	28	2000	330.0	16.4	6.9	10.2	1.8	12.0	16.0	Q1
MSP430I2021TRHBR	VQFN	RHB	32	3000	330.0	12.4	5.3	5.3	1.1	8.0	12.0	Q2
MSP430I2021TRHBT	VQFN	RHB	32	250	180.0	12.4	5.3	5.3	1.1	8.0	12.0	Q2
MSP430I2030TPWR	TSSOP	PW	28	2000	330.0	16.4	6.9	10.2	1.8	12.0	16.0	Q1
MSP430I2030TRHBR	VQFN	RHB	32	3000	330.0	12.4	5.3	5.3	1.1	8.0	12.0	Q2
MSP430I2030TRHBT	VQFN	RHB	32	250	180.0	12.4	5.3	5.3	1.1	8.0	12.0	Q2
MSP430I2031TPWR	TSSOP	PW	28	2000	330.0	16.4	6.9	10.2	1.8	12.0	16.0	Q1
MSP430I2031TRHBR	VQFN	RHB	32	3000	330.0	12.4	5.3	5.3	1.1	8.0	12.0	Q2
MSP430I2031TRHBT	VQFN	RHB	32	250	180.0	12.4	5.3	5.3	1.1	8.0	12.0	Q2
MSP430I2040TPWR	TSSOP	PW	28	2000	330.0	16.4	6.9	10.2	1.8	12.0	16.0	Q1
MSP430I2040TRHBR	VQFN	RHB	32	3000	330.0	12.4	5.3	5.3	1.1	8.0	12.0	Q2
MSP430I2040TRHBT	VQFN	RHB	32	250	180.0	12.4	5.3	5.3	1.1	8.0	12.0	Q2
MSP430I2041TPWR	TSSOP	PW	28	2000	330.0	16.4	6.9	10.2	1.8	12.0	16.0	Q1
MSP430I2041TRHBR	VQFN	RHB	32	3000	330.0	12.4	5.3	5.3	1.1	8.0	12.0	Q2
MSP430I2041TRHBT	VQFN	RHB	32	250	180.0	12.4	5.3	5.3	1.1	8.0	12.0	Q2

**TAPE AND REEL BOX DIMENSIONS**


\*All dimensions are nominal

Device	Package Type	Package Drawing	Pins	SPQ	Length (mm)	Width (mm)	Height (mm)
MSP430I2020TPWR	TSSOP	PW	28	2000	367.0	367.0	38.0
MSP430I2020TRHBR	VQFN	RHB	32	3000	367.0	367.0	35.0
MSP430I2020TRHBT	VQFN	RHB	32	250	210.0	185.0	35.0
MSP430I2021TPWR	TSSOP	PW	28	2000	367.0	367.0	38.0
MSP430I2021TRHBR	VQFN	RHB	32	3000	367.0	367.0	35.0
MSP430I2021TRHBT	VQFN	RHB	32	250	210.0	185.0	35.0
MSP430I2030TPWR	TSSOP	PW	28	2000	367.0	367.0	38.0
MSP430I2030TRHBR	VQFN	RHB	32	3000	367.0	367.0	35.0
MSP430I2030TRHBT	VQFN	RHB	32	250	210.0	185.0	35.0
MSP430I2031TPWR	TSSOP	PW	28	2000	367.0	367.0	38.0
MSP430I2031TRHBR	VQFN	RHB	32	3000	367.0	367.0	35.0
MSP430I2031TRHBT	VQFN	RHB	32	250	210.0	185.0	35.0
MSP430I2040TPWR	TSSOP	PW	28	2000	367.0	367.0	38.0
MSP430I2040TRHBR	VQFN	RHB	32	3000	367.0	367.0	35.0
MSP430I2040TRHBT	VQFN	RHB	32	250	210.0	185.0	35.0
MSP430I2041TPWR	TSSOP	PW	28	2000	367.0	367.0	38.0
MSP430I2041TRHBR	VQFN	RHB	32	3000	367.0	367.0	35.0
MSP430I2041TRHBT	VQFN	RHB	32	250	210.0	185.0	35.0

PW (R-PDSO-G28)

PLASTIC SMALL OUTLINE



4040064-7/G 02/11

- NOTES:
- A. All linear dimensions are in millimeters. Dimensioning and tolerancing per ASME Y14.5M-1994.
  - B. This drawing is subject to change without notice.
  - C. Body length does not include mold flash, protrusions, or gate burrs. Mold flash, protrusions, or gate burrs shall not exceed 0,15 each side.
  - D. Body width does not include interlead flash. Interlead flash shall not exceed 0,25 each side.
  - E. Falls within JEDEC MO-153



PW (R-PDSO-G28)

PLASTIC SMALL OUTLINE



- NOTES:
- All linear dimensions are in millimeters.
  - This drawing is subject to change without notice.
  - Publication IPC-7351 is recommended for alternate design.
  - Laser cutting apertures with trapezoidal walls and also rounding corners will offer better paste release. Customers should contact their board assembly site for stencil design recommendations. Refer to IPC-7525 for other stencil recommendations.
  - Customers should contact their board fabrication site for solder mask tolerances between and around signal pads.

# MECHANICAL DATA

RHB (S-PVQFN-N32)

PLASTIC QUAD FLATPACK NO-LEAD



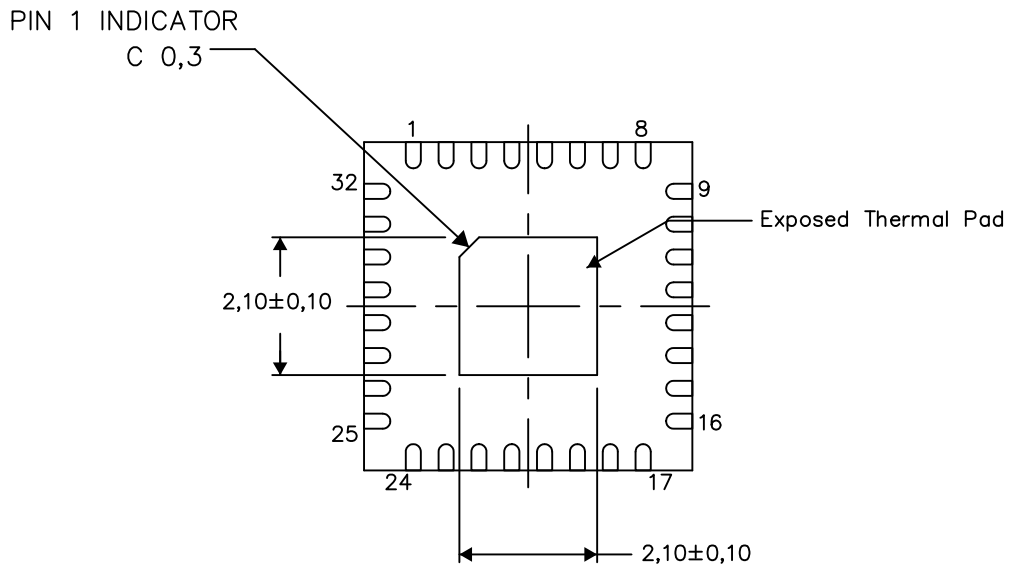
- NOTES:
- All linear dimensions are in millimeters. Dimensioning and tolerancing per ASME Y14.5M-1994.
  - This drawing is subject to change without notice.
  - QFN (Quad Flatpack No-Lead) Package configuration.
  - The package thermal pad must be soldered to the board for thermal and mechanical performance.
  - See the additional figure in the Product Data Sheet for details regarding the exposed thermal pad features and dimensions.
  - Falls within JEDEC MO-220.

**THERMAL INFORMATION**

This package incorporates an exposed thermal pad that is designed to be attached directly to an external heatsink. The thermal pad must be soldered directly to the printed circuit board (PCB). After soldering, the PCB can be used as a heatsink. In addition, through the use of thermal vias, the thermal pad can be attached directly to the appropriate copper plane shown in the electrical schematic for the device, or alternatively, can be attached to a special heatsink structure designed into the PCB. This design optimizes the heat transfer from the integrated circuit (IC).

For information on the Quad Flatpack No-Lead (QFN) package and its advantages, refer to Application Report, QFN/SON PCB Attachment, Texas Instruments Literature No. SLUA271. This document is available at [www.ti.com](http://www.ti.com).

The exposed thermal pad dimensions for this package are shown in the following illustration.



Bottom View

Exposed Thermal Pad Dimensions

4206356-5/AC 05/15

NOTE: A. All linear dimensions are in millimeters

## IMPORTANT NOTICE

Texas Instruments Incorporated and its subsidiaries (TI) reserve the right to make corrections, enhancements, improvements and other changes to its semiconductor products and services per JESD46, latest issue, and to discontinue any product or service per JESD48, latest issue. Buyers should obtain the latest relevant information before placing orders and should verify that such information is current and complete. All semiconductor products (also referred to herein as "components") are sold subject to TI's terms and conditions of sale supplied at the time of order acknowledgment.

TI warrants performance of its components to the specifications applicable at the time of sale, in accordance with the warranty in TI's terms and conditions of sale of semiconductor products. Testing and other quality control techniques are used to the extent TI deems necessary to support this warranty. Except where mandated by applicable law, testing of all parameters of each component is not necessarily performed.

TI assumes no liability for applications assistance or the design of Buyers' products. Buyers are responsible for their products and applications using TI components. To minimize the risks associated with Buyers' products and applications, Buyers should provide adequate design and operating safeguards.

TI does not warrant or represent that any license, either express or implied, is granted under any patent right, copyright, mask work right, or other intellectual property right relating to any combination, machine, or process in which TI components or services are used. Information published by TI regarding third-party products or services does not constitute a license to use such products or services or a warranty or endorsement thereof. Use of such information may require a license from a third party under the patents or other intellectual property of the third party, or a license from TI under the patents or other intellectual property of TI.

Reproduction of significant portions of TI information in TI data books or data sheets is permissible only if reproduction is without alteration and is accompanied by all associated warranties, conditions, limitations, and notices. TI is not responsible or liable for such altered documentation. Information of third parties may be subject to additional restrictions.

Resale of TI components or services with statements different from or beyond the parameters stated by TI for that component or service voids all express and any implied warranties for the associated TI component or service and is an unfair and deceptive business practice. TI is not responsible or liable for any such statements.

Buyer acknowledges and agrees that it is solely responsible for compliance with all legal, regulatory and safety-related requirements concerning its products, and any use of TI components in its applications, notwithstanding any applications-related information or support that may be provided by TI. Buyer represents and agrees that it has all the necessary expertise to create and implement safeguards which anticipate dangerous consequences of failures, monitor failures and their consequences, lessen the likelihood of failures that might cause harm and take appropriate remedial actions. Buyer will fully indemnify TI and its representatives against any damages arising out of the use of any TI components in safety-critical applications.

In some cases, TI components may be promoted specifically to facilitate safety-related applications. With such components, TI's goal is to help enable customers to design and create their own end-product solutions that meet applicable functional safety standards and requirements. Nonetheless, such components are subject to these terms.

No TI components are authorized for use in FDA Class III (or similar life-critical medical equipment) unless authorized officers of the parties have executed a special agreement specifically governing such use.

Only those TI components which TI has specifically designated as military grade or "enhanced plastic" are designed and intended for use in military/aerospace applications or environments. Buyer acknowledges and agrees that any military or aerospace use of TI components which have **not** been so designated is solely at the Buyer's risk, and that Buyer is solely responsible for compliance with all legal and regulatory requirements in connection with such use.

TI has specifically designated certain components as meeting ISO/TS16949 requirements, mainly for automotive use. In any case of use of non-designated products, TI will not be responsible for any failure to meet ISO/TS16949.

### Products

Audio	<a href="http://www.ti.com/audio">www.ti.com/audio</a>
Amplifiers	<a href="http://amplifier.ti.com">amplifier.ti.com</a>
Data Converters	<a href="http://dataconverter.ti.com">dataconverter.ti.com</a>
DLP® Products	<a href="http://www.dlp.com">www.dlp.com</a>
DSP	<a href="http://dsp.ti.com">dsp.ti.com</a>
Clocks and Timers	<a href="http://www.ti.com/clocks">www.ti.com/clocks</a>
Interface	<a href="http://interface.ti.com">interface.ti.com</a>
Logic	<a href="http://logic.ti.com">logic.ti.com</a>
Power Mgmt	<a href="http://power.ti.com">power.ti.com</a>
Microcontrollers	<a href="http://microcontroller.ti.com">microcontroller.ti.com</a>
RFID	<a href="http://www.ti-rfid.com">www.ti-rfid.com</a>
OMAP Applications Processors	<a href="http://www.ti.com/omap">www.ti.com/omap</a>
Wireless Connectivity	<a href="http://www.ti.com/wirelessconnectivity">www.ti.com/wirelessconnectivity</a>

### Applications

Automotive and Transportation	<a href="http://www.ti.com/automotive">www.ti.com/automotive</a>
Communications and Telecom	<a href="http://www.ti.com/communications">www.ti.com/communications</a>
Computers and Peripherals	<a href="http://www.ti.com/computers">www.ti.com/computers</a>
Consumer Electronics	<a href="http://www.ti.com/consumer-apps">www.ti.com/consumer-apps</a>
Energy and Lighting	<a href="http://www.ti.com/energy">www.ti.com/energy</a>
Industrial	<a href="http://www.ti.com/industrial">www.ti.com/industrial</a>
Medical	<a href="http://www.ti.com/medical">www.ti.com/medical</a>
Security	<a href="http://www.ti.com/security">www.ti.com/security</a>
Space, Avionics and Defense	<a href="http://www.ti.com/space-avionics-defense">www.ti.com/space-avionics-defense</a>
Video and Imaging	<a href="http://www.ti.com/video">www.ti.com/video</a>

### TI E2E Community

[e2e.ti.com](http://e2e.ti.com)