

## ±0.25°C Typical Accuracy Digital Temperature Sensor

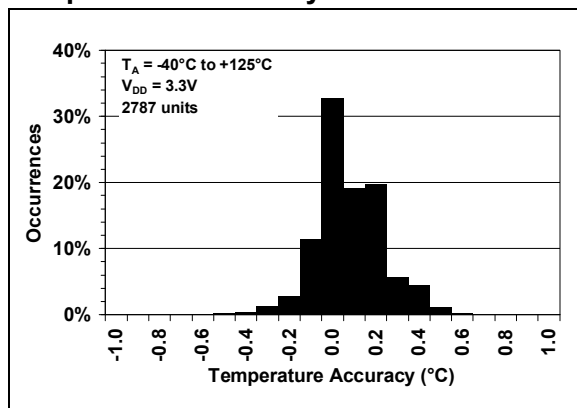
### Features

- Accuracy:
  - ±0.25°C (typical) from -40°C to +125°C
  - ±1°C (maximum) from -40°C to +125°C
  - +0.05°C (typical) lifetime drift
  - ±0.0625°C or ±1 LSB (typical) repeatability
- User-Selectable Measurement Resolution:
  - +0.5°C, +0.25°C, +0.125°C, +0.0625°C
- User-Programmable Temperature Limits:
  - Temperature Window Limit
  - Critical Temperature Limit
- User-Programmable Temperature Alert Output
- Operating Voltage Range: 2.7V to 5.5V
- Operating Current: 200 µA (typical)
- Shutdown Current: 0.1 µA (typical)
- 2-wire Interface: I<sup>2</sup>C™/SMBus Compatible
- Available Packages: 2x3 DFN-8, MSOP-8

### Typical Applications

- General Purpose
- Industrial Applications
- Industrial Freezers and Refrigerators
- Food Processing
- Personal Computers and Servers
- PC Peripherals
- Consumer Electronics
- Handheld/Portable Devices

### Temperature Accuracy



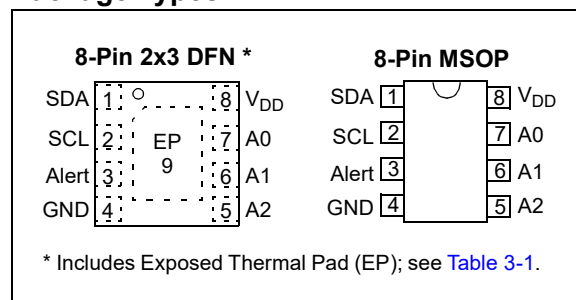
### General Description

Microchip Technology Inc.'s MCP9804 digital temperature sensor converts temperatures between -40°C and +125°C to a digital word with ±0.25°C/±1°C (typical/maximum) accuracy.

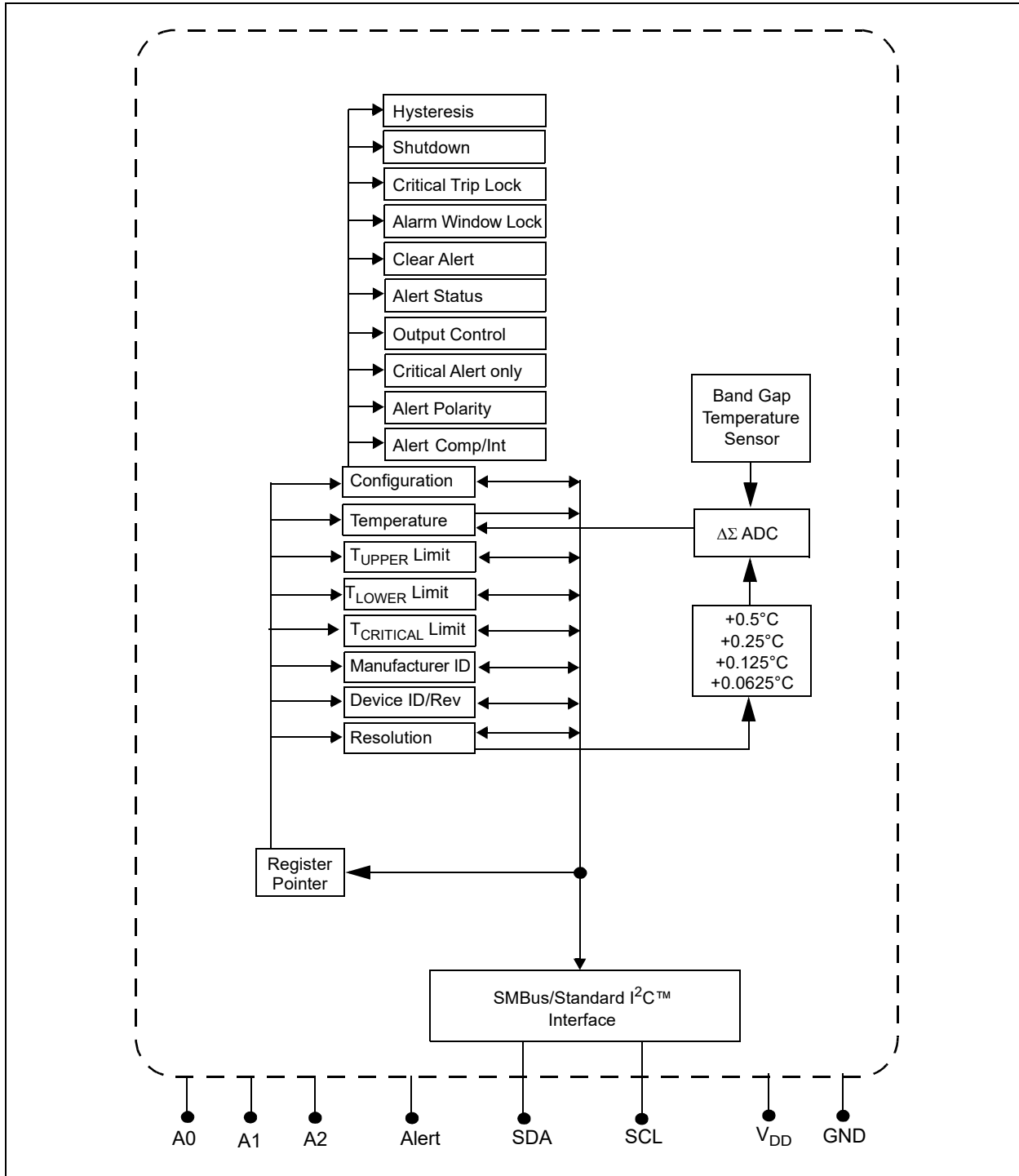
The MCP9804 comes with user-programmable registers that provide flexibility to temperature sensing applications. The registers allow user-selectable settings such as Shutdown or Low-Power modes and the specification of temperature Alert window limits and critical output limits. When the temperature changes beyond the specified boundary limits, the MCP9804 outputs an Alert signal. The user has the option of setting the Alert output signal polarity as an active-low or active-high comparator output for thermostat operation, or as a temperature Alert interrupt output for microprocessor-based systems. The Alert output can also be configured as a critical temperature output only.

This sensor has an industry standard 100 kHz, 2-wire, SMBus/I<sup>2</sup>C compatible serial interface, allowing up to eight or sixteen sensors to be controlled with a single serial bus (see Table 3-2 for available Address codes). These features make the MCP9804 ideal for sophisticated, multi-zone, temperature-monitoring applications.

### Package Types



# MCP9804



**FIGURE 1:** Functional Block Diagram

## 1.0 ELECTRICAL CHARACTERISTICS

### Absolute Maximum Ratings †

V <sub>DD</sub> .....	6.0V
Voltage at All Input/Output Pins .....	GND – 0.3V to 6.0V
Storage Temperature .....	-65°C to +150°C
Ambient Temperature with Power Applied .....	-40°C to +125°C
Junction Temperature (T <sub>J</sub> ).....	+150°C
ESD Protection on All Pins (HBM:MM) .....	(4 kV:400V)
Latch-up Current at Each Pin (25°C).....	±200 mA

†**Notice:** Stresses above those listed under “Maximum ratings” may cause permanent damage to the device. This is a stress rating only and functional operation of the device at those or any other conditions above those indicated in the operational listings of this specification is not implied. Exposure to maximum rating conditions for extended periods may affect device reliability.

### TEMPERATURE SENSOR DC CHARACTERISTICS

<b>Electrical Specifications:</b> Unless otherwise indicated, V <sub>DD</sub> = 2.7V to 5.5V, GND = Ground and T <sub>A</sub> = -40°C to +125°C.						
Parameters	Sym	Min	Typ	Max	Unit	Conditions
<b>Temperature Sensor Accuracy</b>						
-40°C < T <sub>A</sub> ≤ +125°C	T <sub>ACY</sub>	-1.0	±0.25	+1.0	°C	V <sub>DD</sub> = 3.3V ( <b>Note 1</b> )
Accuracy Drift	T <sub>DRIFT</sub>	—	+0.05	—	°C	V <sub>DD</sub> = 3.3V ( <b>Note 2</b> )
Accuracy Repeatability	T <sub>REPEAT</sub>	—	±0.0625	—	°C	48 hours at 55°C, V <sub>DD</sub> = 3.3V
<b>Temperature Conversion Time</b>						
0.5°C/bit	t <sub>CONV</sub>	—	30	—	ms	33s/sec (typical)
0.25°C/bit		—	65	—	ms	15s/sec (typical)
0.125°C/bit		—	130	—	ms	7s/sec (typical)
0.0625°C/bit		—	250	—	ms	4s/sec (typical)
<b>Power Supply</b>						
Operating Voltage Range	V <sub>DD</sub>	2.7	—	5.5	V	
Operating Current	I <sub>DD</sub>	—	200	400	µA	
Shutdown Current	I <sub>SHDN</sub>	—	0.1	2	µA	
Power-on Reset (POR)	V <sub>POR</sub>	—	2.2	—	V	Threshold for falling V <sub>DD</sub>
Power Supply Rejection	Δ°C/ΔV <sub>DD</sub>	—	-0.1	—	°C/V	V <sub>DD</sub> = 2.7V to 5.5V, T <sub>A</sub> = +25°C
<b>Alert Output (open-drain output, external pull-up resistor required), see Section 5.2.3, Alert Output Configuration</b>						
High-Level Current (leakage)	I <sub>OH</sub>	—	—	1	µA	V <sub>OH</sub> = V <sub>DD</sub> (Active-Low, Pull-up Resistor)
Low-Level Voltage	V <sub>OL</sub>	—	—	0.4	V	I <sub>OL</sub> = 3 mA (Active-Low, Pull-up Resistor)
<b>Thermal Response, from +25°C (air) to +125°C (oil bath)</b>						
8L-DFN	t <sub>RES</sub>	—	0.7	—	s	Time to 63% (+89°C)
8L-MSOP		—	1.4	—	s	

**Note 1:** Accuracy specification includes lifetime drift.

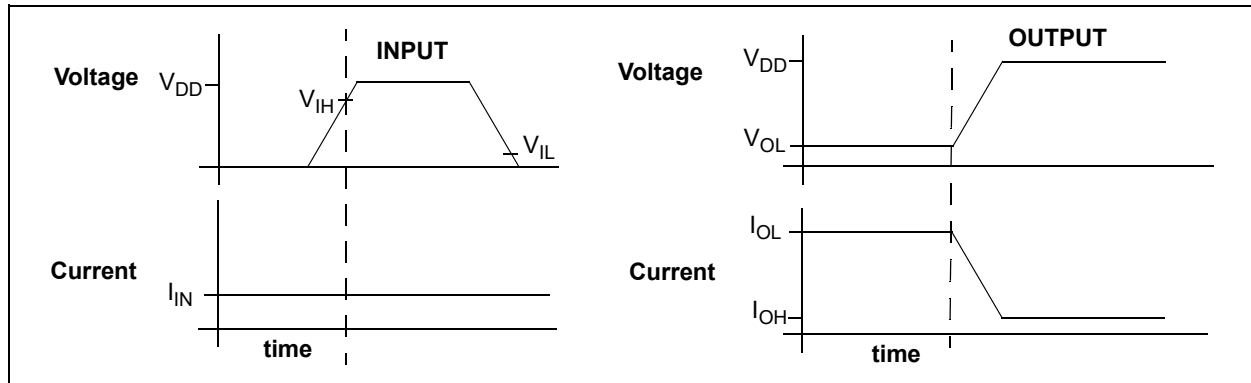
**2:** Using Accelerated Life Cycle, equivalent of 12 years of operation at 55°C.

# MCP9804

## DIGITAL INPUT/OUTPUT PIN CHARACTERISTICS

Electrical Specifications: Unless otherwise indicated, $V_{DD} = 2.7V$ to $5.5V$ , GND = Ground and $T_A = -40^{\circ}C$ to $+125^{\circ}C$ .						
Parameters	Sym	Min	Typ	Max	Units	Conditions
<b>Serial Input/Output (SCL, SDA, A0, A1, A2)</b>						
<b>Input</b>						
High-Level Voltage	$V_{IH}$	$0.7 V_{DD}$	—	—	V	
Low-Level Voltage	$V_{IL}$	—	—	$0.3 V_{DD}$	V	
Input Current	$I_{IN}$	—	—	$\pm 5$	$\mu A$	
<b>Output (SDA)</b>						
Low-Level Voltage	$V_{OL}$	—	—	0.4	V	$I_{OL} = 3\text{ mA}$
High-Level Current (leakage)	$I_{OH}$	—	—	1	$\mu A$	$V_{OH} = 5.5V$
Low-Level Current	$I_{OL}$	6	—	—	mA	$V_{OL} = 0.6V$
<b>SDA and SCL Inputs</b>						
Hysteresis	$V_{HYST}$	—	$0.05 V_{DD}$	—	V	
Spike Suppression	$t_{SP}$	—	—	50	ns	
Capacitance	$C_{IN}$	—	5	—	pF	

## GRAPHICAL SYMBOL DESCRIPTION



## TEMPERATURE CHARACTERISTICS

Electrical Specifications: Unless otherwise indicated, $V_{DD} = 2.7V$ to $5.5V$ and GND = Ground.						
Parameters	Sym	Min	Typ	Max	Units	Conditions
<b>Temperature Ranges</b>						
Specified Temperature Range	$T_A$	-40	—	+125	$^{\circ}C$	(Note 1)
Operating Temperature Range	$T_A$	-40	—	+125	$^{\circ}C$	
Storage Temperature Range	$T_A$	-65	—	+150	$^{\circ}C$	
<b>Thermal Package Resistances</b>						
Thermal Resistance, 8L-DFN	$\theta_{JA}$	—	41	—	$^{\circ}C/W$	
Thermal Resistance, 8L-MSOP	$\theta_{JA}$	—	206	—	$^{\circ}C/W$	

**Note 1:** Operation in this range must not cause  $T_J$  to exceed Maximum Junction Temperature ( $+150^{\circ}C$ ).

## SENSOR SERIAL INTERFACE TIMING SPECIFICATIONS

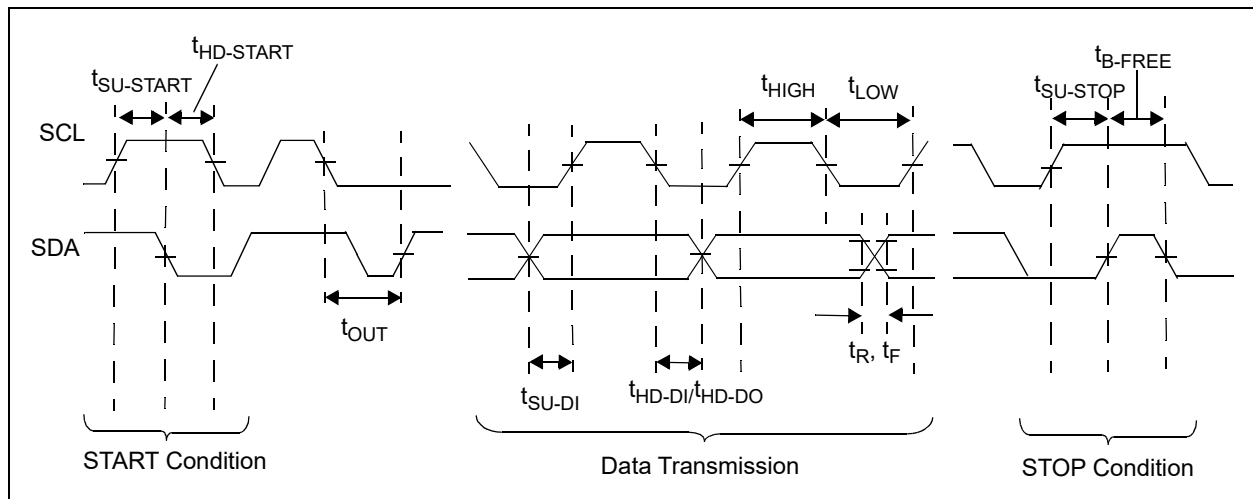
**Electrical Specifications:** Unless otherwise indicated,  $V_{DD} = 2.7V$  to  $5.5V$ ,  $T_A = -40^{\circ}C$  to  $+125^{\circ}C$ , GND = Ground and  $C_L = 80$  pF (**Note 1**).

Parameters	Sym	Min	Max	(Note 6)		Units	Conditions
				Min	Max		
<b>2-Wire SMBus/I<sup>2</sup>C Interface</b>							
Serial port frequency	$f_{SCL}$	0	100	0	400	kHz	(Note 2, Note 4)
Low Clock	$t_{LOW}$	4700	—	1300	—	ns	(Note 2)
High Clock	$t_{HIGH}$	4000	—	600	—	ns	(Note 2)
Rise Time	$t_R$	—	1000	20	300	ns	
Fall Time	$t_F$	20	300	20	300	ns	
Data in Setup Time	$t_{SU-DI}$	250	—	100	—	ns	(Note 3)
Data in Hold Time	$t_{HD-DI}$	0	—	0	—	ns	(Note 5)
Data out Hold Time	$t_{HD-DO}$	300	—	200	900	ns	(Note 4)
Start Condition Setup Time	$t_{SU-START}$	4700	—	600	—	ns	
Start Condition Hold Time	$t_{HD-START}$	4000	—	600	—	ns	
Stop Condition Setup Time	$t_{SU-STOP}$	4000	—	600	—	ns	
Bus Free	$t_{B-FREE}$	4700	—	1300	—	ns	
Time-out	$t_{OUT}$	25	50	25	50	ms	
Bus Capacitive load	$C_b$	—	—	—	400	pf	

**Note 1:** All values referred to  $V_{IL\ MAX}$  and  $V_{IH\ MIN}$  levels.

- If  $t_{LOW} > t_{OUT}$  or  $t_{HIGH} > t_{OUT}$ , the temperature sensor I<sup>2</sup>C interface will time-out. A Repeat Start command is required for communication.
- This device can be used in a Standard-mode I<sup>2</sup>C-bus system, but the requirement  $t_{SU-DI\ MIN}$  must be met. This device does not stretch SCL Low time.
- As a transmitter, the device provides internal minimum delay time  $t_{HD-DO\ MIN}$ , to bridge the undefined region of the falling edge of SCL  $t_{F\ MAX}$  to avoid unintended generation of Start or Stop conditions.
- As a receiver, SDA should not be sampled at the falling edge of SCL. SDA can transition  $t_{HD-DI}$  after SCL toggles Low.
- The I<sup>2</sup>C Fast Mode specification, or timing for bus frequency up to 400KHz, applies to devices starting with date code of 1145.

## TIMING DIAGRAM



# MCP9804

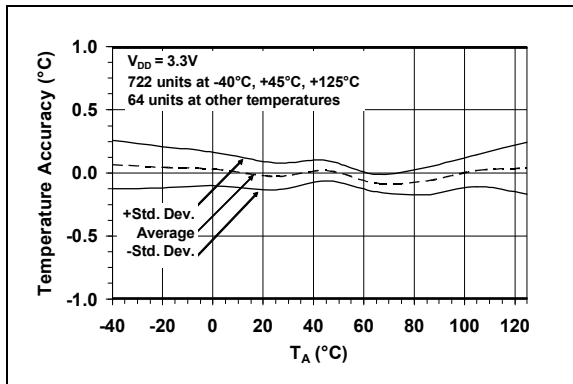
---

NOTES:

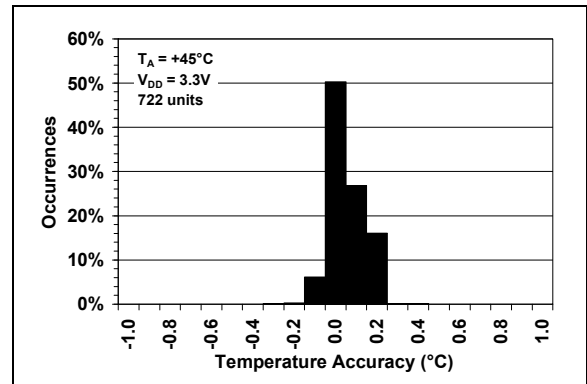
## 2.0 TYPICAL PERFORMANCE CURVES

**Note:** The graphs and tables provided following this note are a statistical summary based on a limited number of samples and are provided for informational purposes only. The performance characteristics listed herein are not tested or guaranteed. In some graphs or tables, the data presented may be outside the specified operating range (e.g., outside specified power supply range) and therefore outside the warranted range.

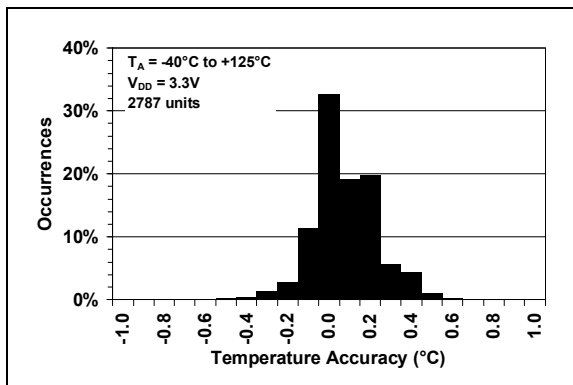
**Note:** Unless otherwise indicated,  $V_{DD} = 2.7V$  to  $5.5V$ , GND = Ground, SDA/SCL pulled-up to  $V_{DD}$  and  $T_A = -40^{\circ}C$  to  $+125^{\circ}C$ .



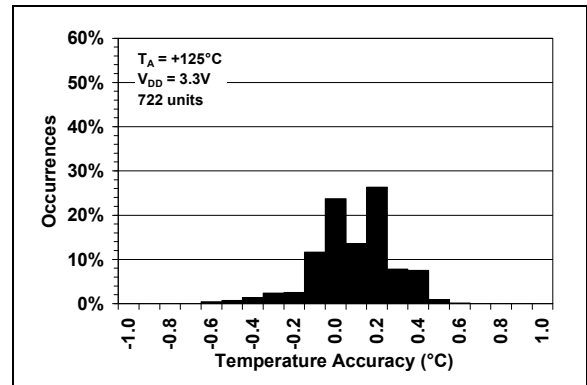
**FIGURE 2-1:** Temperature Accuracy



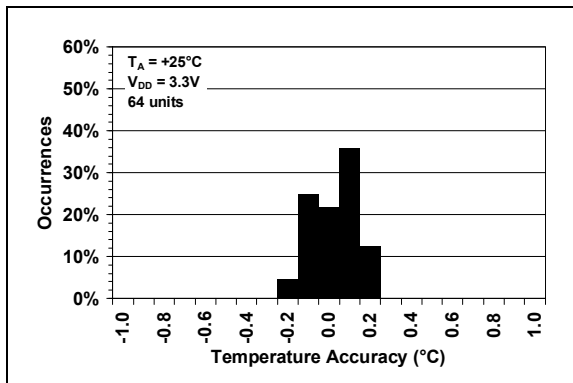
**FIGURE 2-4:** Temperature Accuracy Histogram,  $T_A = +45^{\circ}C$



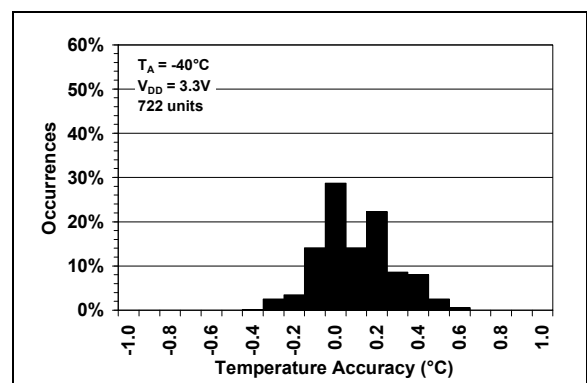
**FIGURE 2-2:** Temperature Accuracy Histogram,  $T_A = -40^{\circ}C$  to  $+125^{\circ}C$



**FIGURE 2-5:** Temperature Accuracy Histogram,  $T_A = +125^{\circ}C$



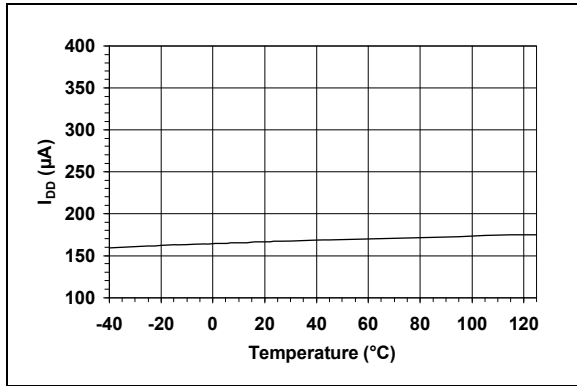
**FIGURE 2-3:** Temperature Accuracy Histogram,  $T_A = +25^{\circ}C$



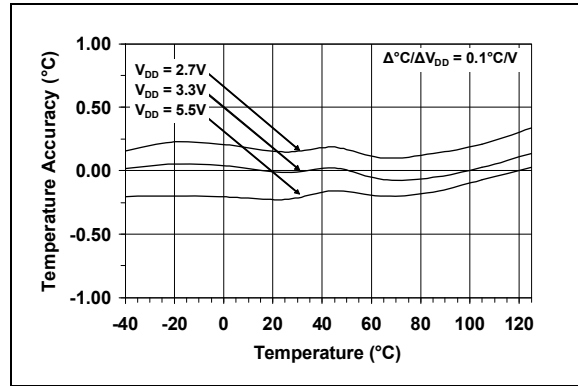
**FIGURE 2-6:** Temperature Accuracy Histogram,  $T_A = -40^{\circ}C$

# MCP9804

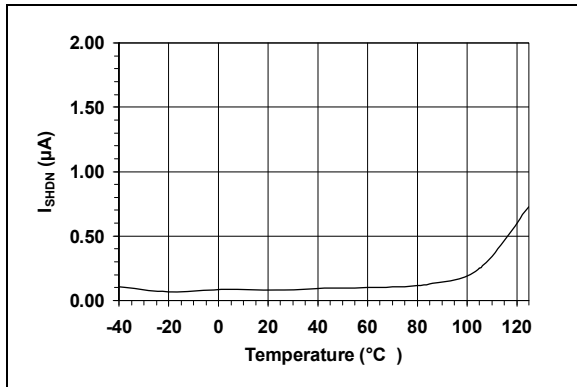
**Note:** Unless otherwise indicated,  $V_{DD} = 2.7V$  to  $5.5V$ , GND = Ground, SDA/SCL pulled-up to  $V_{DD}$  and  $T_A = -40^{\circ}C$  to  $+125^{\circ}C$ .



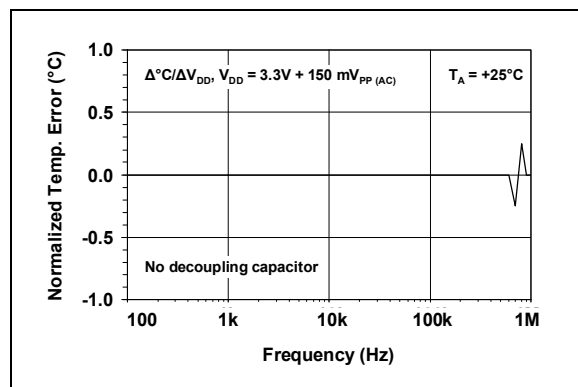
**FIGURE 2-7:** Supply Current vs. Temperature



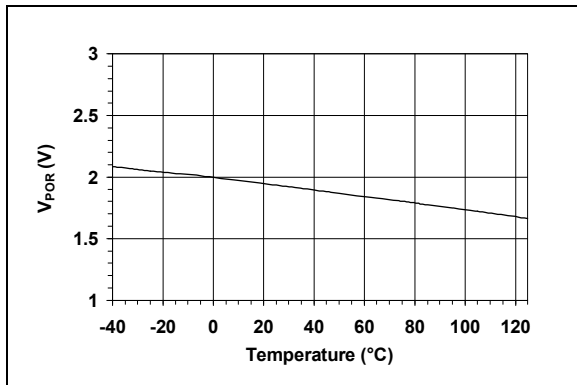
**FIGURE 2-10:** Temperature Accuracy vs. Supply Voltage



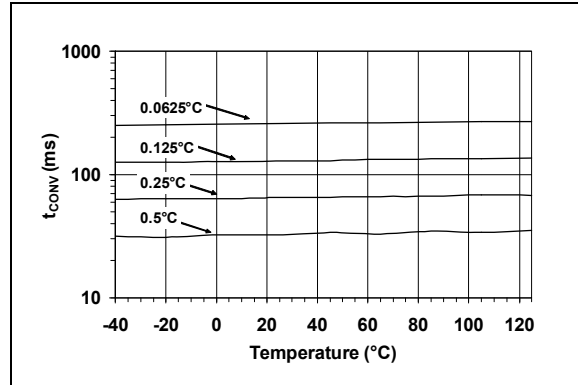
**FIGURE 2-8:** Shutdown Current vs. Temperature



**FIGURE 2-11:** Power Supply Rejection vs. Frequency



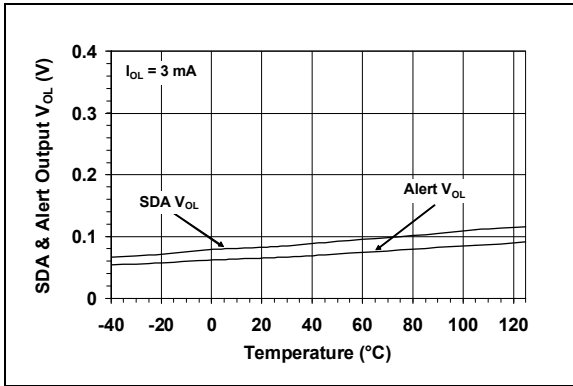
**FIGURE 2-9:** Power-on Reset Threshold Voltage vs. Temperature



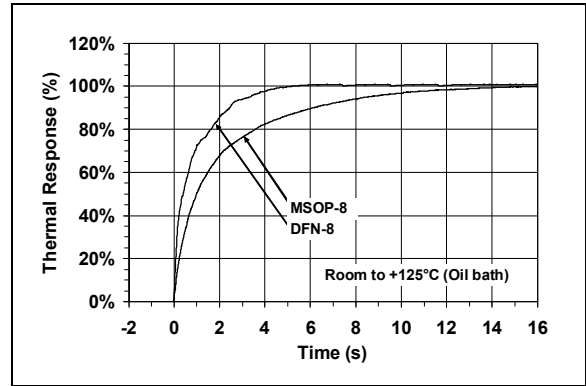
**FIGURE 2-12:** Temperature Conversion Time vs. Temperature



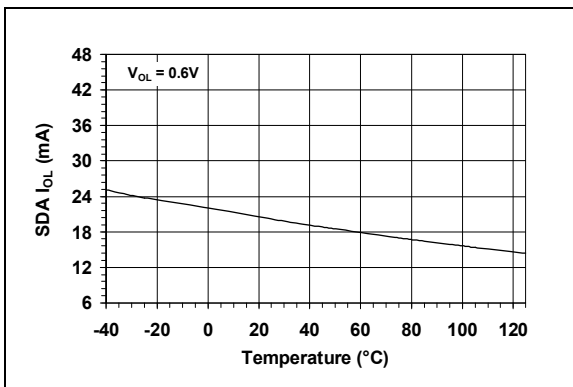
**Note:** Unless otherwise indicated,  $V_{DD} = 2.7V$  to  $5.5V$ , GND = Ground, SDA/SCL pulled-up to  $V_{DD}$  and  $T_A = -40^{\circ}C$  to  $+125^{\circ}C$ .



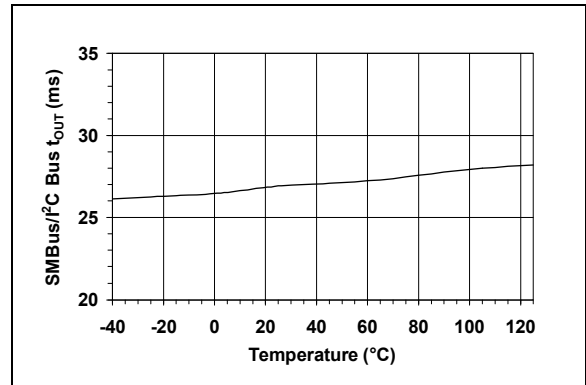
**FIGURE 2-13:** SDA and Alert Output  $V_{OL}$  vs. Temperature



**FIGURE 2-15:** Package Thermal Response



**FIGURE 2-14:** SDA  $I_{OL}$  vs. Temperature



**FIGURE 2-16:** SMBus Time-out vs. Temperature

# MCP9804

---

NOTES:

## 3.0 PIN DESCRIPTION

The descriptions of the pins are listed in [Table 3-1](#).

**TABLE 3-1: PIN FUNCTION TABLE**

DFN	MSOP	Symbol	Pin Function
1	1	SDA	Serial Data Line
2	2	SCL	Serial Clock Line
3	3	Alert	Temperature Alert Output
4	4	GND	Ground
5	5	A2	Slave Address
6	6	A1	Slave Address
7	7	A0	Slave Address
8	8	V <sub>DD</sub>	Power Pin
9	—	EP	Exposed Thermal Pad (EP); must be connected to GND

### 3.1 Address Pins (A0, A1, A2)

These pins are device address input pins.

The address pins correspond to the Least Significant bits (LSBs) of the address bits and the Most Significant bits (MSBs): A6, A5, A4, A3. This is shown in [Table 3-2](#).

**TABLE 3-2: MCP9804 ADDRESS BYTE**

Device	Address Code				Slave Address		
	A6	A5	A4	A3	A2	A1	A0
MCP9804	0	0	1	1	x <sup>(1)</sup>	x	x
MCP9804 <sup>(2)</sup>	1	0	0	1	x	x	x

- Note 1:** User-selectable address is shown by 'x'. A2, A1 and A0 must match the corresponding device pin configuration.
- 2:** Contact factory for this address code.

### 3.2 Ground Pin (GND)

The GND pin is the system ground pin.

### 3.3 Serial Data Line (SDA)

SDA is a bidirectional input/output pin, used to serially transmit data to/from the host controller. This pin requires a pull-up resistor. (See [Section 4.0 “Serial Communication”](#).)

### 3.4 Serial Clock Line (SCL)

The SCL is a clock input pin. All communication and timing is relative to the signal on this pin. The clock is generated by the host or master controller on the bus. (See [Section 4.0 “Serial Communication”](#).)

### 3.5 Temperature Alert, Open-Drain Output (Alert)

The MCP9804 temperature Alert output pin is an open-drain output. The device outputs a signal when the ambient temperature goes beyond the user-programmed temperature limit. (See [Section 5.2.3 “Alert Output Configuration”](#).)

### 3.6 Power Pin (V<sub>DD</sub>)

V<sub>DD</sub> is the power pin. The operating voltage range, as specified in the DC electrical specification table, is applied on this pin.

### 3.7 Exposed Thermal Pad (EP)

There is an internal electrical connection between the Exposed Thermal Pad (EP) and the GND pin. The EP may be connected to the system ground on the Printed Circuit Board (PCB).

# MCP9804

---

NOTES:

## 4.0 SERIAL COMMUNICATION

### 4.1 2-Wire Standard Mode I<sup>2</sup>C™ Protocol Compatible Interface

The MCP9804 Serial Clock (SCL) input and the bidirectional Serial Data (SDA) line form a 2-wire bidirectional, Standard mode, I<sup>2</sup>C compatible communication port (refer to the [Digital Input/Output Pin Characteristics](#) and [Sensor Serial Interface Timing Specifications](#) tables).

The following bus protocol has been defined:

**TABLE 4-1: MCP9804 SERIAL BUS PROTOCOL DESCRIPTIONS**

Term	Description
Master	The device that controls the serial bus, typically a microcontroller.
Slave	The device addressed by the master, such as the MCP9804.
Transmitter	Device sending data to the bus.
Receiver	Device receiving data from the bus.
START	A unique signal from the master to initiate serial interface with a slave.
STOP	A unique signal from the master to terminate serial interface from a slave.
Read/Write	A read or write to the MCP9804 registers.
ACK	A receiver Acknowledges (ACK) the reception of each byte by polling the bus.
NAK	A receiver Not-Acknowledges (NAK) or releases the bus to show End-of-Data (EOD).
Busy	Communication is not possible because the bus is in use.
Not Busy	The bus is in the Idle state; both SDA and SCL remain high.
Data Valid	SDA must remain stable before SCL becomes high in order for a data bit to be considered valid. During normal data transfers, SDA only changes state while SCL is low.

#### 4.1.1 DATA TRANSFER

Data transfers are initiated by a Start condition (START), followed by a 7-bit device address and a read/write bit. An Acknowledge (ACK) from the slave confirms the reception of each byte. Each access must be terminated by a Stop condition (STOP).

Repeated communication is initiated after  $t_{B-FREE}$ .

This device does not support sequential register read/write. Each register needs to be addressed using the Register Pointer.

This device supports the receive protocol. The register can be specified using the pointer for the initial read. Each repeated read or receive begins with a Start condition and address byte. The MCP9804 retains the previously selected register. Therefore, it outputs data from the previously specified register (repeated pointer specification is not necessary).

#### 4.1.2 MASTER/SLAVE

The bus is controlled by a master device (typically a microcontroller) that controls the bus access and generates the Start and Stop conditions. The MCP9804 is a slave device and does not control other devices in the bus. Both master and slave devices can operate as either transmitter or receiver. However, the master device determines which mode is activated.

#### 4.1.3 START/STOP CONDITION

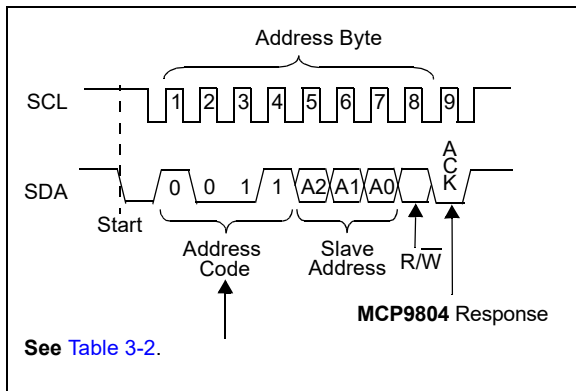
A high-to-low transition of the SDA line (while SCL is high) is the Start condition. All data transfers must be preceded by a Start condition from the master. A low-to-high transition of the SDA line (while SCL is high) signifies a Stop condition.

If a Start or Stop condition is introduced during data transmission, the MCP9804 releases the bus. All data transfers are ended by a Stop condition from the master.

# MCP9804

## 4.1.4 ADDRESS BYTE

Following the Start condition, the host must transmit an 8-bit address byte to the MCP9804. The address for the MCP9804 temperature sensor is '0011, A2, A1, A0' in binary, where the A2, A1 and A0 bits are set externally by connecting the corresponding pins to  $V_{DD}$  '1' or GND '0'. The 7-bit address, transmitted in the serial bit stream, must match the selected address for the MCP9804 to respond with an ACK. Bit 8 in the address byte is a read/write bit. Setting this bit to '1' commands a read operation, while '0' commands a write operation (see Figure 4-1).



**FIGURE 4-1:** Device Addressing

## 4.1.5 DATA VALID

After the Start condition, each bit of data in the transmission needs to be settled for a time specified by  $t_{SU-DATA}$  before SCL toggles from low-to-high (see the [Sensor Serial Interface Timing Specifications](#) section).

## 4.1.6 ACKNOWLEDGE (ACK/NAK)

Each receiving device, when addressed, must generate an ACK bit after the reception of each byte. The master device must generate an extra clock pulse for ACK to be recognized.

The Acknowledging device pulls down the SDA line for  $t_{SU-DATA}$  before the low-to-high transition of SCL from the master. SDA also needs to remain pulled down for  $t_{H-DATA}$  after a high-to-low transition of SCL.

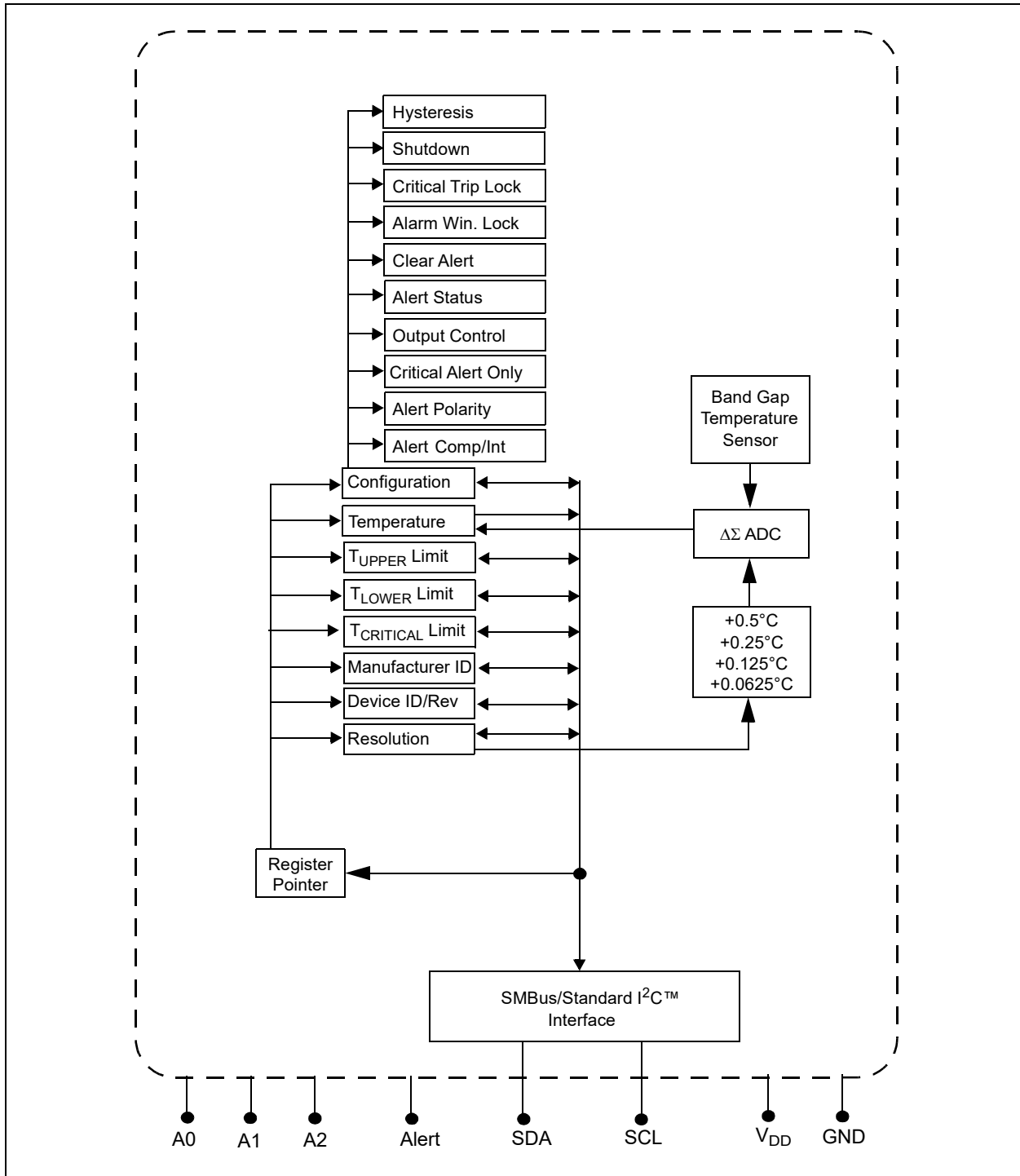
During read, the master must signal an End-of-Data (EOD) to the slave by not generating an ACK bit (NAK), once the last bit has been clocked out of the slave. In this case, the slave will leave the data line released to enable the master to generate the Stop condition.

## 4.1.7 TIME-OUT

If the SCL stays low or high for the time specified by  $t_{OUT}$ , the MCP9804 temperature sensor resets the serial interface. This dictates the minimum clock speed as outlined in the specification.

## 5.0 FUNCTIONAL DESCRIPTION

The MCP9804 temperature sensors consist of a band-gap-type temperature sensor, a Delta-Sigma Analog-to-Digital Converter ( $\Delta\Sigma$  ADC), user-programmable registers and a 2-wire SMBus/I<sup>2</sup>C protocol compatible serial interface. Figure 5-1 shows a block diagram of the register structure.



**FIGURE 5-1:** Functional Block Diagram

# MCP9804

## 5.1 Registers

The MCP9804 has several registers that are user-accessible. These registers include Temperature, Configuration, Temperature Alert Upper Boundary and Lower Boundary Limit, Critical Temperature Limit, Manufacturer Identification and Device Identification.

The Temperature register is read-only, used to access the ambient temperature data. This register is double-buffered and it is updated every  $t_{CONV}$ . The Temperature Alert Upper Boundary and Lower Boundary Limit registers are read/write registers. If the ambient temperature drifts beyond the user-specified limits, the MCP9804 outputs a signal using the Alert pin (refer to

[Section 5.2.3 “Alert Output Configuration”](#)). In addition, the Critical Temperature Limit register is used to provide an additional critical temperature limit.

The Configuration register provides access to configure the MCP9804 device’s various features. These registers are described in further detail in the following sections.

The registers are accessed by sending a Register Pointer to the MCP9804, using the serial interface. This is an 8-bit write-only pointer. However, the four Least Significant bits are used as pointers and all unused bits (Register Pointer<7:4>) need to be cleared or set to ‘0’. [Register 5-1](#) describes the pointer or the address of each register.

**REGISTER 5-1: REGISTER POINTER (WRITE-ONLY)**

W-0	W-0	W-0	W-0	W-0	W-0	W-0	W-0
—	—	—	—	Pointer bits			
bit 7				bit 0			

**Legend:**

R = Readable bit

W = Writable bit

U = Unimplemented bit, read as ‘0’

-n = Value at POR

‘1’ = Bit is set

‘0’ = Bit is cleared

x = Bit is unknown

bit 7-4

**W:** Writable bits

Write ‘0’.

Bits 7-4 must always be cleared or written to ‘0’. This device has additional registers that are reserved for test and calibration. If these registers are accessed, the device may not perform according to the specification.

bit 3-0

**Pointer bits**

0000 =RFU, Reserved for Future Use (Read-Only register)

0001 =Configuration register (CONFIG)

0010 =Alert Temperature Upper Boundary Trip register ( $T_{UPPER}$ )

0011 =Alert Temperature Lower Boundary Trip register ( $T_{LOWER}$ )

0100 =Critical Temperature Trip register ( $T_{CRIT}$ )

0101 =Temperature register ( $T_A$ )

0110 =Manufacturer ID register

0111 =Device ID/Revision register

1000 =Resolution register

1xxx =Reserved<sup>(1)</sup>

**Note 1:** Some registers contain calibration codes and should not be accessed.



**TABLE 5-1: BIT ASSIGNMENT SUMMARY FOR ALL REGISTERS (See Section 5.3, Summary of Power-on Default for Power-on Defaults)**

Register Pointer (Hex)	MSB/LSB	Bit Assignment							
		7	6	5	4	3	2	1	0
0x00	MSB	0	0	0	0	0	0	0	0
	LSB	0	0	0	1	1	1	1	1
0x01	MSB	0	0	0	0	0	Hysteresis		SHDN
	LSB	Crt Loc	Win Loc	Int Clr	Alt Stat	Alt Cnt	Alt Sel	Alt Pol	Alt Mod
0x02	MSB	0	0	0	SIGN	2 <sup>7</sup> °C	2 <sup>6</sup> °C	2 <sup>5</sup> °C	2 <sup>4</sup> °C
	LSB	2 <sup>3</sup> °C	2 <sup>2</sup> °C	2 <sup>1</sup> °C	2 <sup>0</sup> °C	2 <sup>-1</sup> °C	2 <sup>-2</sup> °C	0	0
0x03	MSB	0	0	0	SIGN	2 <sup>7</sup> °C	2 <sup>6</sup> °C	2 <sup>5</sup> °C	2 <sup>4</sup> °C
	LSB	2 <sup>3</sup> °C	2 <sup>2</sup> °C	2 <sup>1</sup> °C	2 <sup>0</sup> °C	2 <sup>-1</sup> °C	2 <sup>-2</sup> °C	0	0
0x04	MSB	0	0	0	SIGN	2 <sup>7</sup> °C	2 <sup>6</sup> °C	2 <sup>5</sup> °C	2 <sup>4</sup> °C
	LSB	2 <sup>3</sup> °C	2 <sup>2</sup> °C	2 <sup>1</sup> °C	2 <sup>0</sup> °C	2 <sup>-1</sup> °C	2 <sup>-2</sup> °C	0	0
0x05	MSB	T <sub>A</sub> ≥ T <sub>CRIT</sub>	T <sub>A</sub> > T <sub>UPPER</sub>	T <sub>A</sub> < T <sub>LOWER</sub>	SIGN	2 <sup>7</sup> °C	2 <sup>6</sup> °C	2 <sup>5</sup> °C	2 <sup>4</sup> °C
	LSB	2 <sup>3</sup> °C	2 <sup>2</sup> °C	2 <sup>1</sup> °C	2 <sup>0</sup> °C	2 <sup>-1</sup> °C	2 <sup>-2</sup> °C	0	0
0x06	MSB	0	0	0	0	0	0	0	0
	LSB	0	1	0	1	0	1	0	0
0x07	MSB	0	0	0	0	0	0	1	0
	LSB	0	0	0	0	0	0	0	1
0x08	LSB	0	0	0	0	0	0	1	1

# MCP9804

## 5.1.1 SENSOR CONFIGURATION REGISTER (CONFIG)

The MCP9804 has a 16-bit Configuration register (CONFIG) that allows the user to set various functions for a robust temperature monitoring system. Bits 10 through 0 are used to select the temperature alert output hysteresis, device shutdown or Low-Power mode, temperature boundary and critical temperature lock, and temperature Alert output enable/disable. In addition, Alert output condition (output set for  $T_{UPPER}$  and  $T_{LOWER}$  temperature boundary or  $T_{CRIT}$  only), Alert output status and Alert output polarity and mode (Comparator Output or Interrupt Output mode) are user-configurable.

The temperature hysteresis bits 10 and 9 can be used to prevent output chatter when the ambient temperature gradually changes beyond the

user-specified temperature boundary (see [Section 5.2.2 “Temperature Hysteresis \( \$T\_{HYST}\$ \)”](#)). The Continuous Conversion or Shutdown mode is selected using bit 8. In Shutdown mode, the band gap temperature sensor circuit stops converting temperature and the Ambient Temperature register ( $T_A$ ) holds the previous temperature data (see [Section 5.2.1 “Shutdown Mode”](#)). Bits 7 and 6 are used to lock the user-specified boundaries  $T_{UPPER}$ ,  $T_{LOWER}$  and  $T_{CRIT}$  to prevent an accidental rewrite. The Lock bits are cleared by resetting the power. Bits 5 through 0 are used to configure the temperature Alert output pin. All functions are described in [Register 5-2](#) (see [Section 5.2.3 “Alert Output Configuration”](#)).

**REGISTER 5-2: CONFIG: CONFIGURATION REGISTER (→ ADDRESS ‘0000 0001’b)**

U-0	U-0	U-0	U-0	U-0	R/W-0	R/W-0	R/W-0
—	—	—	—	—	$T_{HYST}$		SHDN
bit 15							bit 8

R/W-0	R/W-0	R/W-0	R-0	R/W-0	R/W-0	R/W-0	R/W-0
Crit. Lock	Win. Lock	Int. Clear	Alert Stat.	Alert Cnt.	Alert Sel.	Alert Pol.	Alert Mod.
bit 7							bit 0

**Legend:**

R = Readable bit	W = Writable bit	U = Unimplemented bit, read as ‘0’
-n = Value at POR	‘1’ = Bit is set	‘0’ = Bit is cleared
		x = Bit is unknown

bit 15-11 **Unimplemented:** Read as ‘0’

bit 10-9  **$T_{HYST}$ :**  $T_{UPPER}$  and  $T_{LOWER}$  Limit Hysteresis bits  
 00 = 0°C (power-up default)  
 01 = +1.5°C  
 10 = +3.0°C  
 11 = +6.0°C

(Refer to [Section 5.2.3 “Alert Output Configuration”](#).)

This bit cannot be altered when either of the Lock bits are set (bit 6 and bit 7).

This bit can be programmed in Shutdown mode.

bit 8 **SHDN:** Shutdown Mode bit

0 = Continuous conversion (power-up default)  
 1 = Shutdown (Low-Power mode)

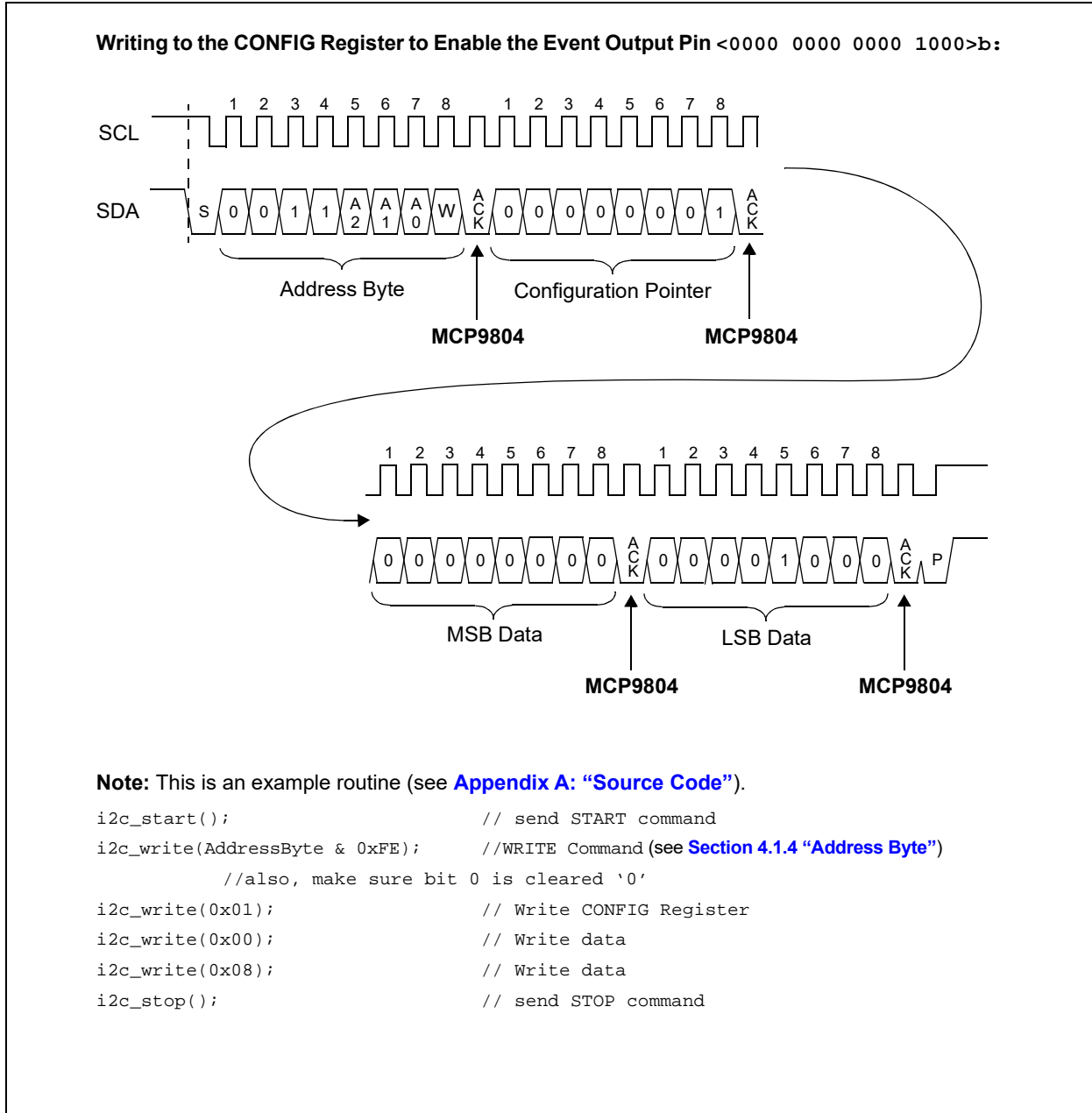
In shutdown, all power-consuming activities are disabled, though all registers can be written to or read.

This bit cannot be set to ‘1’ when either of the Lock bits is set (bit 6 and bit 7). However, it can be cleared to ‘0’ for continuous conversion while locked (refer to [Section 5.2.1 “Shutdown Mode”](#)).

**REGISTER 5-2: CONFIG: CONFIGURATION REGISTER (→ ADDRESS '0000 0001'b)**

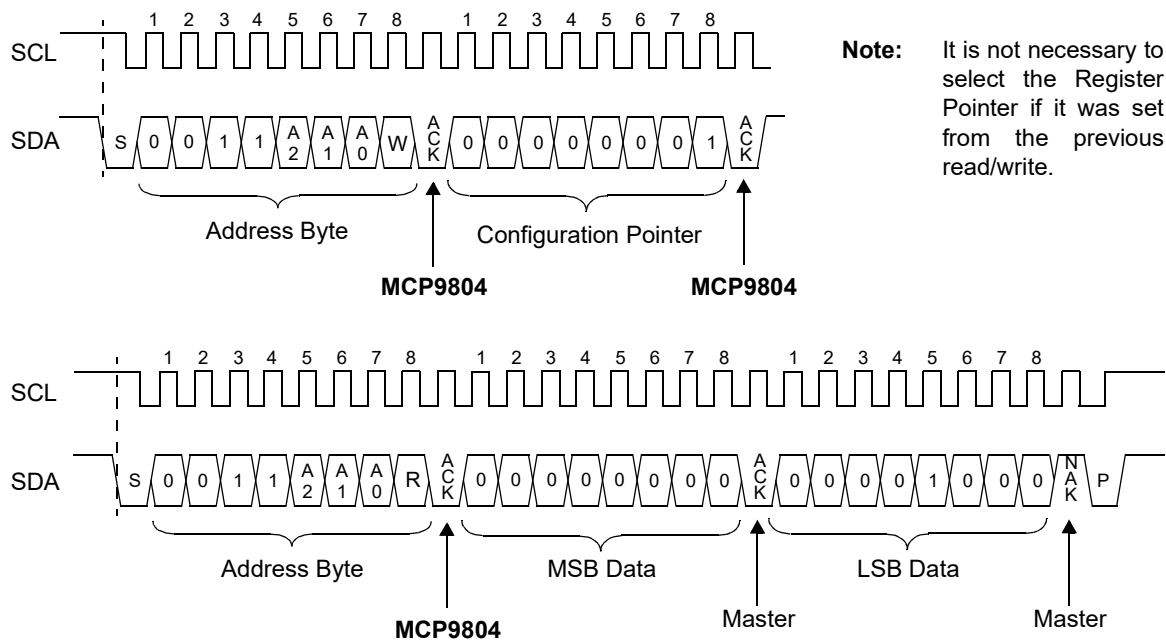
bit 7	<p><b>Crit. Lock:</b> T<sub>CRIT</sub> Lock bit  0 = Unlocked. T<sub>CRIT</sub> register can be written (power-up default)  1 = Locked. T<sub>CRIT</sub> register cannot be written</p> <p>When enabled, this bit remains set to '1' or locked until cleared by an internal Reset (<a href="#">Section 5.3 "Summary of Power-on Default"</a>). This bit does not require a double-write.</p> <p>This bit can be programmed in Shutdown mode.</p>
bit 6	<p><b>Win. Lock:</b> T<sub>UPPER</sub> and T<sub>LOWER</sub> Window Lock bit  0 = Unlocked; T<sub>UPPER</sub> and T<sub>LOWER</sub> registers can be written (power-up default)  1 = Locked; T<sub>UPPER</sub> and T<sub>LOWER</sub> registers cannot be written</p> <p>When enabled, this bit remains set to '1' or locked until cleared by a Power-on Reset (<a href="#">Section 5.3 "Summary of Power-on Default"</a>). This bit does not require a double-write.</p> <p>This bit can be programmed in Shutdown mode.</p>
bit 5	<p><b>Int. Clear:</b> Interrupt Clear bit  0 = No effect (power-up default)  1 = Clear interrupt output; when read, this bit returns to '0'</p> <p>This bit cannot be set to '1' in Shutdown mode, but it can be cleared after the device enters Shutdown mode.</p>
bit 4	<p><b>Alert Stat.:</b> Alert Output Status bit  0 = Alert output is not asserted by the device (power-up default)  1 = Alert output is asserted as a comparator/Interrupt or critical temperature output</p> <p>This bit cannot be set to '1' or cleared to '0' in Shutdown mode. However, if the Alert output is configured as Interrupt mode, and if the host controller clears to '0', the interrupt, using bit 5 while the device is in Shutdown mode, then this bit will also be cleared '0'.</p>
bit 3	<p><b>Alert Cnt.:</b> Alert Output Control bit  0 = Disabled (power-up default)  1 = Enabled</p> <p>This bit cannot be altered when either of the Lock bits are set (bit 6 and bit 7).</p> <p>This bit can be programmed in Shutdown mode, but the Alert output will not assert or deassert.</p>
bit 2	<p><b>Alert Sel.:</b> Alert Output Select bit  0 = Alert output for T<sub>UPPER</sub>, T<sub>LOWER</sub> and T<sub>CRIT</sub> (power-up default)  1 = T<sub>A</sub> &gt; T<sub>CRIT</sub> only (T<sub>UPPER</sub> and T<sub>LOWER</sub> temperature boundaries are disabled)</p> <p>When the Alarm Window Lock bit is set, this bit cannot be altered until unlocked (bit 6).</p> <p>This bit can be programmed in Shutdown mode, but the Alert output will not assert or deassert.</p>
bit 1	<p><b>Alert Pol.:</b> Alert Output Polarity bit  0 = Active-low (power-up default; pull-up resistor required)  1 = Active-high</p> <p>This bit cannot be altered when either of the Lock bits are set (bit 6 and bit 7).</p> <p>This bit can be programmed in Shutdown mode, but the Alert output will not assert or deassert.</p>
bit 0	<p><b>Alert Mod.:</b> Alert Output Mode bit  0 = Comparator output (power-up default)  1 = Interrupt output</p> <p>This bit cannot be altered when either of the Lock bits are set (bit 6 and bit 7).</p> <p>This bit can be programmed in Shutdown mode, but the Alert output will not assert or deassert.</p>

# MCP9804



**FIGURE 5-2:** Timing Diagram for Writing to the Configuration Register (see [Section 4.0 "Serial Communication"](#))

## Reading the CONFIG Register:



**Note:** This is an example routine (see [Appendix A: "Source Code"](#)).

```

i2c_start(); // send START command
i2c_write(AddressByte & 0xFE); //WRITE Command (see Section 4.1.4 "Address Byte")
//also, make sure bit 0 is cleared '0'
i2c_write(0x01); // Write CONFIG Register
i2c_start(); // send Repeat START command
i2c_write(AddressByte | 0x01); //READ Command
//also, make sure bit 0 is set '1'
UpperByte = i2c_read(ACK); // READ 8 bits
//and Send ACK bit
LowerByte = i2c_read(NAK); // READ 8 bits
//and Send NAK bit
i2c_stop(); // send STOP command
    
```

**FIGURE 5-3:** Timing Diagram for Reading from the Configuration Register (see [Section 4.0 "Serial Communication"](#))

# MCP9804

## 5.1.2 UPPER/LOWER/CRITICAL TEMPERATURE LIMIT REGISTERS (T<sub>UPPER</sub>/T<sub>LOWER</sub>/T<sub>CRIT</sub>)

The MCP9804 has a 16-bit read/write Alert Output Temperature Upper Boundary register (T<sub>UPPER</sub>), a 16-bit Lower Boundary register (T<sub>LOWER</sub>) and a 16-bit Critical Boundary register (T<sub>CRIT</sub>) that contain 11-bit data in two's complement format (0.25°C). This data represents

the maximum and minimum temperature boundary or temperature window that can be used to monitor ambient temperature. If this feature is enabled (Section 5.1.1 "Sensor Configuration Register (CONFIG)") and the ambient temperature exceeds the specified boundary or window, the MCP9804 asserts an Alert output. (Refer to Section 5.2.3 "Alert Output Configuration").

### REGISTER 5-3: T<sub>UPPER</sub>/T<sub>LOWER</sub>/T<sub>CRIT</sub>: UPPER/LOWER/CRITICAL TEMPERATURE LIMIT REGISTER (→ ADDRESS '0000 0010'b/'0000 0011'b/'0000 0100'b)<sup>(1)</sup>

U-0	U-0	U-0	R/W-0	R/W-0	R/W-0	R/W-0	R/W-0	
—	—	—	Sign	2 <sup>7</sup> °C	2 <sup>6</sup> °C	2 <sup>5</sup> °C	2 <sup>4</sup> °C	
bit 15								bit 8

R/W-0	R/W-0	R/W-0	R/W-0	R/W-0	R/W-0	U-0	U-0	
2 <sup>3</sup> °C	2 <sup>2</sup> °C	2 <sup>1</sup> °C	2 <sup>0</sup> °C	2 <sup>-1</sup> °C	2 <sup>-2</sup> °C	—	—	
bit 7								bit 0

#### Legend:

R = Readable bit	W = Writable bit	U = Unimplemented bit, read as '0'
-n = Value at POR	'1' = Bit is set	'0' = Bit is cleared      x = Bit is unknown

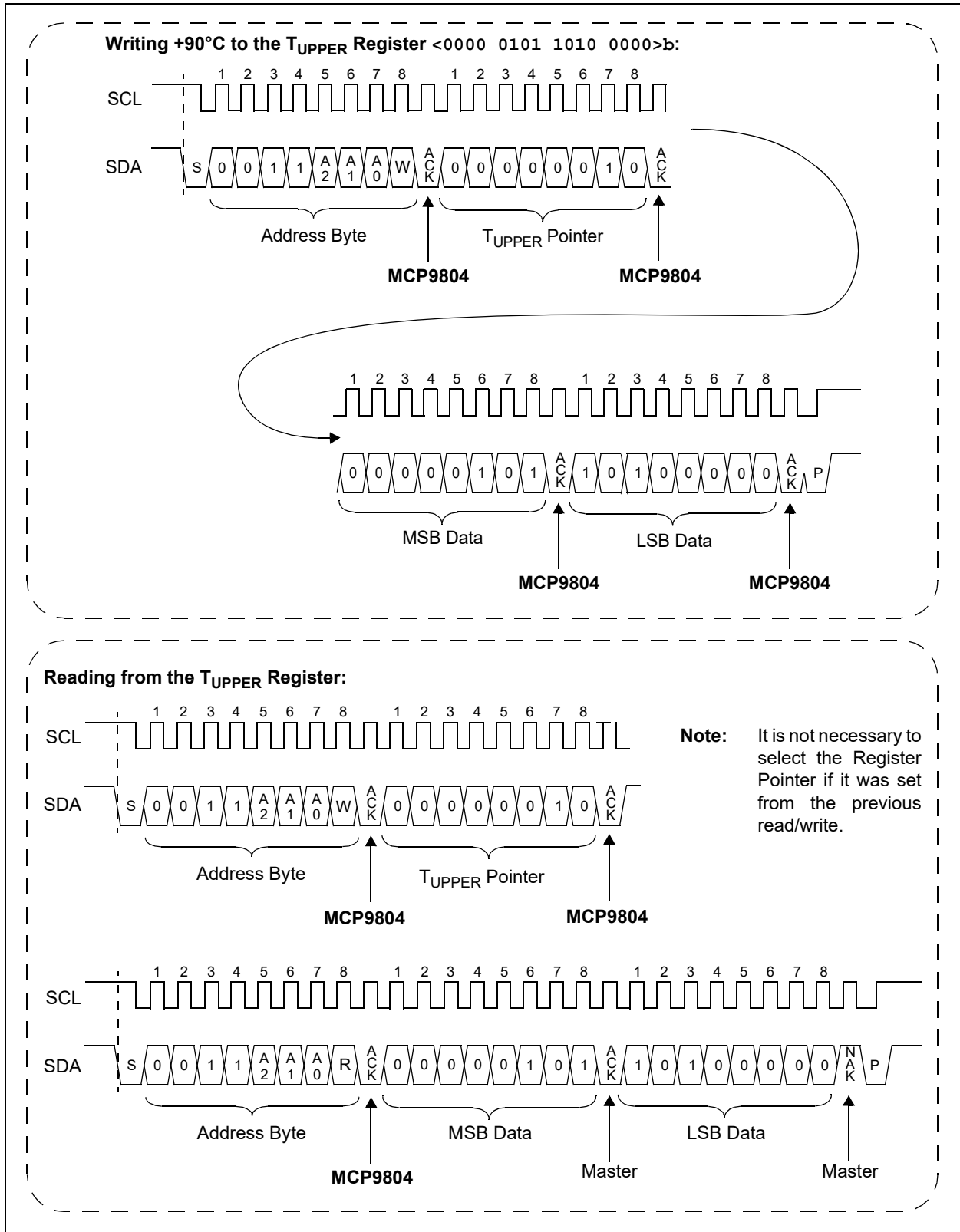
bit 15-13      **Unimplemented:** Read as '0'

bit 12      **Sign:** Sign bit  
 0 = T<sub>A</sub> ≥ 0°C  
 1 = T<sub>A</sub> < 0°C

bit 11-2      **T<sub>UPPER</sub>/T<sub>LOWER</sub>/T<sub>CRIT</sub>:** Temperature Boundary bits  
 Temperature boundary trip data in two's complement format.

bit 1-0      **Unimplemented:** Read as '0'

**Note 1:** This table shows two 16-bit registers for T<sub>UPPER</sub>, T<sub>LOWER</sub> and T<sub>CRIT</sub>, located at '0000 0010b', '0000 0011b' and '0000 0100b', respectively.



**FIGURE 5-4:** Timing Diagram for Writing and Reading from the T<sub>UPPER</sub> Register (see [Section 4.0](#) “Serial Communication”)

# MCP9804

## 5.1.3 AMBIENT TEMPERATURE REGISTER ( $T_A$ )

The MCP9804 uses a band gap temperature sensor circuit to output analog voltage proportional to absolute temperature. An internal  $\Delta\Sigma$  ADC is used to convert the analog voltage to a digital word. The digital word is loaded to a 16-bit read-only Ambient Temperature register ( $T_A$ ) that contains 13-bit temperature data in two's complement format.

The  $T_A$  register bits ( $T_A<12:0>$ ) are double-buffered. Therefore, the user can access the register, while in the background, the MCP9804 performs an Analog-to-Digital conversion. The temperature data from the  $\Delta\Sigma$  ADC is loaded in parallel to the  $T_A$  register at  $t_{CONV}$  refresh rate.

In addition, the  $T_A$  register uses three bits ( $T_A<15:13>$ ) to reflect the Alert pin state. This allows the user to identify the cause of the Alert output trigger (see [Section 5.2.3 "Alert Output Configuration"](#)); bit 15 is set to '1' if  $T_A$  is greater than or equal to  $T_{CRIT}$ , bit 14 is set to '1' if  $T_A$  is greater than  $T_{UPPER}$  and bit 13 is set to '1' if  $T_A$  is less than  $T_{LOWER}$ .

The  $T_A$  register bit assignment and boundary conditions are described in [Register 5-4](#).

**REGISTER 5-4:  $T_A$ : AMBIENT TEMPERATURE REGISTER ( $\rightarrow$  ADDRESS '0000 0101'b')<sup>(1)</sup>**

R-0	R-0	R-0	R-0	R-0	R-0	R-0	R-0
$T_A$ vs. $T_{CRIT}$ <sup>(1)</sup>	$T_A$ vs. $T_{UPPER}$ <sup>(1)</sup>	$T_A$ vs. $T_{LOWER}$ <sup>(1)</sup>	SIGN	$2^7$ °C	$2^6$ °C	$2^5$ °C	$2^4$ °C
bit 15							bit 8

R-0	R-0	R-0	R-0	R-0	R-0	R-0	R-0
$2^3$ °C	$2^2$ °C	$2^1$ °C	$2^0$ °C	$2^{-1}$ °C	$2^{-2}$ °C <sup>(2)</sup>	$2^{-3}$ °C <sup>(2)</sup>	$2^{-4}$ °C <sup>(2)</sup>
bit 7							bit 0

**Legend:**

R = Readable bit	W = Writable bit	U = Unimplemented bit, read as '0'
-n = Value at POR	'1' = Bit is set	'0' = Bit is cleared      x = Bit is unknown

bit 15       **$T_A$  vs.  $T_{CRIT}$  bit<sup>(1)</sup>**

0 =  $T_A < T_{CRIT}$   
1 =  $T_A \geq T_{CRIT}$

bit 14       **$T_A$  vs.  $T_{UPPER}$  bit<sup>(1)</sup>**

0 =  $T_A \leq T_{UPPER}$   
1 =  $T_A > T_{UPPER}$

bit 13       **$T_A$  vs.  $T_{LOWER}$  bit<sup>(1)</sup>**

0 =  $T_A \geq T_{LOWER}$   
1 =  $T_A < T_{LOWER}$

bit 12      **SIGN bit**

0 =  $T_A \geq 0^\circ\text{C}$   
1 =  $T_A < 0^\circ\text{C}$

bit 11-0       **$T_A$ : Ambient Temperature bits<sup>(2)</sup>**

12-bit ambient temperature data in two's complement format.

**Note 1:** Bits 15, 14 and 13 are not affected by the status of the Alert Output Configuration (CONFIG<5:0> bits, [Register 5-2](#)).

**2:** Bits 2, 1 and 0 may remain clear at '0' depending on the status of the Resolution register ([Register 5-7](#)). The power-up default is 0.25°C/bit; bits 1 and 0 remain clear '0'.



### 5.1.3.1 $T_A$ Bits to Temperature Conversion

To convert the  $T_A$  bits to decimal temperature, the upper three boundary bits ( $T_A<15:13>$ ) must be masked out. Then, determine the SIGN bit (bit 12) to check positive or negative temperature, shift the bits accordingly, and combine the upper and lower bytes of the 16-bit register. The upper byte contains data for temperatures greater than +32°C while the lower byte contains data for temperature less than +32°C, including fractional data. When combining the upper and lower bytes, the upper byte must be right-shifted by 4 bits (or multiply by  $2^4$ ) and the lower byte must be left-shifted by 4 bits (or multiply by  $2^4$ ). Adding the results of the shifted values provides the temperature data in decimal format (see [Equation 5-1](#)).

The temperature bits are in two's complement format, therefore, positive temperature data and negative temperature data are computed differently. [Equation 5-1](#) shows the temperature computation. The example

instruction code, outlined in [Example 5-1](#), shows the communication flow; also see [Figure 5-5](#) for the timing diagram.

#### EQUATION 5-1: BYTES TO TEMPERATURE CONVERSION

Temperature  $T_A \geq 0^\circ\text{C}$

$$T_A = (\text{UpperByte} \times 2^4 + \text{LowerByte} \times 2^{-4})$$

Temperature  $< 0^\circ\text{C}$

$$T_A = 256 - (\text{UpperByte} \times 2^4 + \text{LowerByte} \times 2^{-4})$$

Where:

$T_A$  = Ambient Temperature ( $^\circ\text{C}$ )

UpperByte =  $T_A$  bit 15 to bit 8

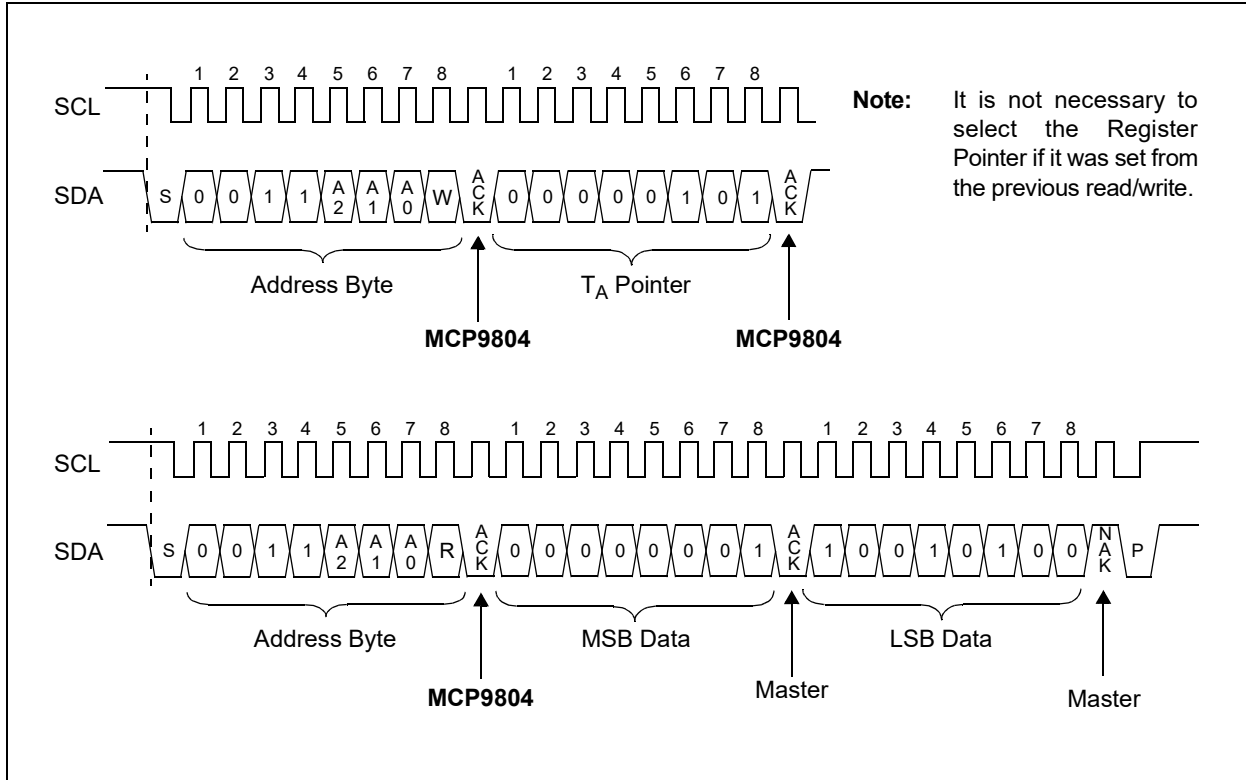
LowerByte =  $T_A$  bit 7 to bit 0

#### EXAMPLE 5-1: SAMPLE INSTRUCTION CODE

This example routine assumes the variables and I<sup>2</sup>C™ communication subroutines are predefined (see [Appendix A: "Source Code"](#)):

```
i2c_start(); // send START command
i2c_write (AddressByte & 0xFE); //WRITE Command (see Section 4.1.4 "Address Byte")
//also, make sure bit 0 is cleared '0'
i2c_write(0x05); // Write TA Register Address
i2c_start(); //Repeat START
i2c_write(AddressByte | 0x01); // READ Command (see Section 4.1.4 "Address Byte")
//also, make sure bit 0 is Set '1'
UpperByte = i2c_read(ACK); // READ 8 bits
//and Send ACK bit
LowerByte = i2c_read(NAK); // READ 8 bits
//and Send NAK bit
i2c_stop(); // send STOP command
//Convert the temperature data
//First Check flag bits
if ((UpperByte & 0x80) == 0x80){ //TA ≥ TCRIT
}
if ((UpperByte & 0x40) == 0x40){ //TA > TUPPER
}
if ((UpperByte & 0x20) == 0x20){ //TA < TLOWER
}
UpperByte = UpperByte & 0x1F; //Clear flag bits
if ((UpperByte & 0x10) == 0x10){ //TA < 0°C
UpperByte = UpperByte & 0x0F; //Clear SIGN
Temperature = 256 - (UpperByte x 16 + LowerByte / 16);
}else //TA ≥ 0°C
Temperature = (UpperByte x 16 + LowerByte / 16);
//Temperature = Ambient Temperature (°C)
```

# MCP9804



**FIGURE 5-5:** Timing Diagram for Reading +25.25°C Temperature from the  $T_A$  Register (see Section 4.0 “Serial Communication”)

## 5.1.4 MANUFACTURER ID REGISTER

This register is used to identify the manufacturer of the device in order to perform manufacturer-specific operations. The Manufacturer ID for the MCP9804 is 0x0054 (hexadecimal).

### REGISTER 5-5: MANUFACTURER ID REGISTER – READ-ONLY (→ ADDRESS '0000 0110'b)

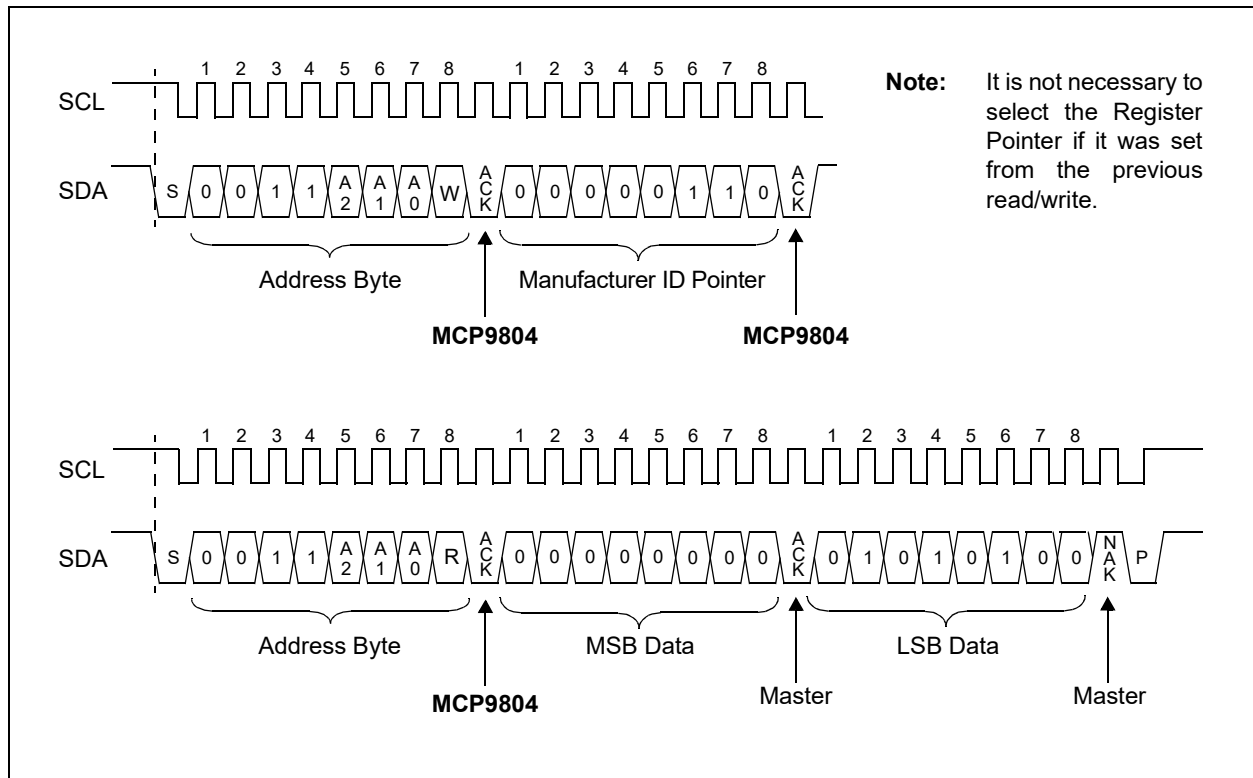
R-0	R-0	R-0	R-0	R-0	R-0	R-0	R-0
Manufacturer ID							
bit 15							bit 8

R-0	R-1	R-0	R-1	R-0	R-1	R-0	R-0
Manufacturer ID							
bit 7							bit 0

#### Legend:

R = Readable bit                      W = Writable bit                      U = Unimplemented bit, read as '0'  
 -n = Value at POR                      '1' = Bit is set                      '0' = Bit is cleared                      x = Bit is unknown

bit 15-0                      **Device Manufacturer Identification bits**



**FIGURE 5-6:** Timing Diagram for Reading the Manufacturer ID Register (see [Section 4.0 “Serial Communication”](#))

# MCP9804

## 5.1.5 DEVICE ID AND REVISION REGISTER

The upper byte of this register is used to specify the device identification and the lower byte is used to specify the device revision. The Device ID for the MCP9804 is 0x02 (hex).

The revision begins with 0x00 (hex) for the first release, with the number being incremented as revised versions are released.

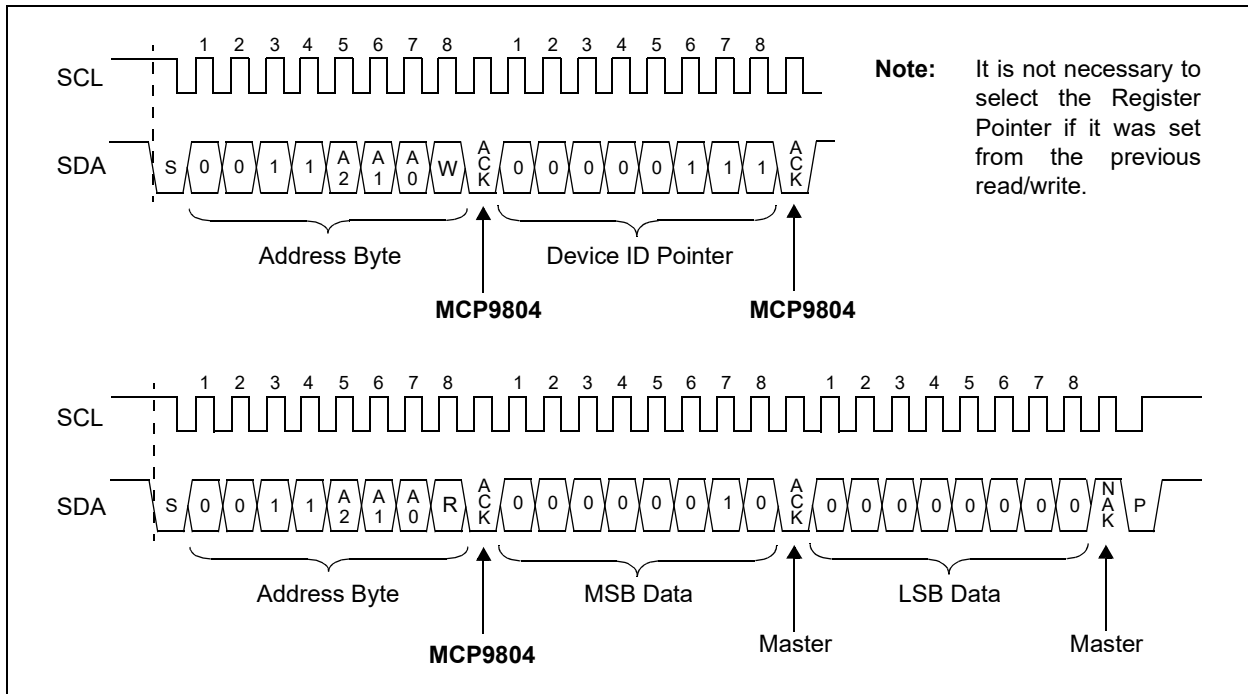
### REGISTER 5-6: DEVICE ID AND DEVICE REVISION – READ-ONLY (→ ADDRESS '0000 0111'b)

R-0	R-0	R-0	R-0	R-0	R-0	R-1	R-0
Device ID							
bit 15							
bit 8							

R-0	R-0	R-0	R-0	R-0	R-0	R-0	R-1
Device Revision							
bit 7							
bit 0							

<b>Legend:</b>			
R = Readable bit	W = Writable bit	U = Unimplemented bit, read as '0'	
-n = Value at POR	'1' = Bit is set	'0' = Bit is cleared	x = Bit is unknown

bit 15-8      **Device ID:** Bit 15 to bit 8 are used for device ID  
bit 7-0      **Device Revision:** Bit 7 to bit 0 are used for device revision



**FIGURE 5-7:** Timing Diagram for Reading Device ID and Device Revision Register (see Section 4.0 “Serial Communication”)

## 5.1.6 RESOLUTION REGISTER

This register allows the user to change the sensor resolution (see [Section 5.2.4 “Temperature Resolution”](#)). The POR default resolution is +0.0625°C. The selected resolution is also reflected in the Capability register (see [Register 5-2](#)).

### REGISTER 5-7: RESOLUTION REGISTER (→ ADDRESS '0000 1000'b)

U-0	U-0	U-0	U-0	U-0	U-0	R/W-1	R/W-1
—	—	—	—	—	—	Resolution	
bit 7						bit 0	

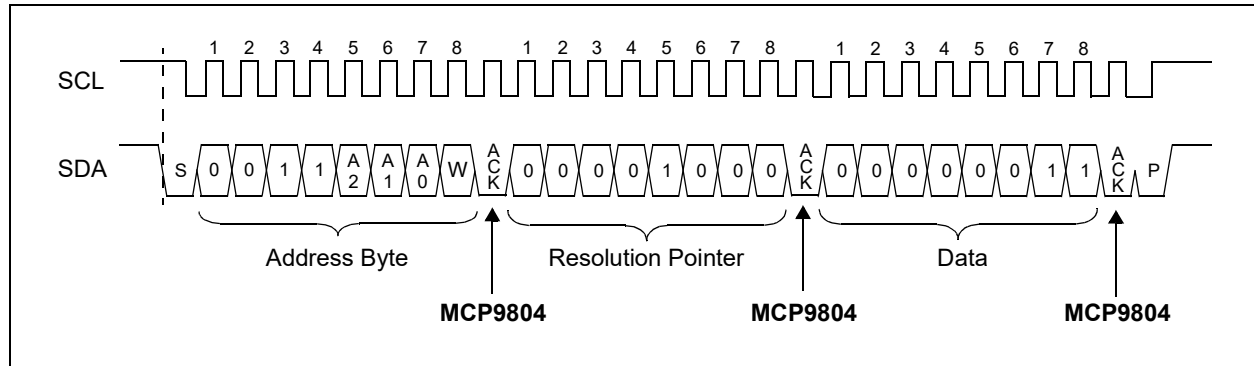
#### Legend:

R = Readable bit	W = Writable bit	U = Unimplemented bit, read as '0'
-n = Value at POR	'1' = Bit is set	'0' = Bit is cleared
		x = Bit is unknown

bit 7-2      **Unimplemented:** Read as '0'

bit 1-0      **Resolution bits**

- 00 = LSB = +0.5°C (t<sub>CONV</sub> = 30 ms typical)
- 01 = LSB = +0.25°C (t<sub>CONV</sub> = 65 ms typical)
- 10 = LSB = +0.125°C (t<sub>CONV</sub> = 130 ms typical)
- 11 = LSB = +0.0625°C (power-up default, t<sub>CONV</sub> = 250 ms typical)



**FIGURE 5-8:** Timing Diagram for Changing  $T_A$  Resolution to +0.0625°C <0000 0011>b (see [Section 4.0 “Serial Communication”](#))

# MCP9804

## 5.2 SENSOR FEATURE DESCRIPTION

### 5.2.1 SHUTDOWN MODE

Shutdown mode disables all power consuming activities (including temperature sampling operations) while leaving the serial interface active. This mode is selected by setting bit 8 of CONFIG to '1'. In this mode, the device consumes  $I_{SHDN}$ . It remains in this mode until bit 8 is cleared to '0' to enable Continuous Conversion mode or until power is recycled.

The Shutdown bit (bit 8) cannot be set to '1' while the CONFIG<7:6> bits (Lock bits) are set to '1'. However, it can be cleared to '0' or returned to Continuous Conversion mode while locked.

In Shutdown mode, all registers can be read or written. However, the serial bus activity increases the shutdown current. In addition, if the device is in shutdown while the Alert pin is asserted, the device will retain the active state during shutdown. This increases the shutdown current due to the additional Alert output current.

### 5.2.2 TEMPERATURE HYSTERESIS ( $T_{HYST}$ )

A hysteresis of 0°C, +1.5°C, +3°C or +6°C can be selected for the  $T_{UPPER}$ ,  $T_{LOWER}$  and  $T_{CRIT}$  temperature boundaries, using bits 10 and 9 of CONFIG. The hysteresis applies for decreasing temperature only (hot to cold) or as temperature drifts below the specified limit.

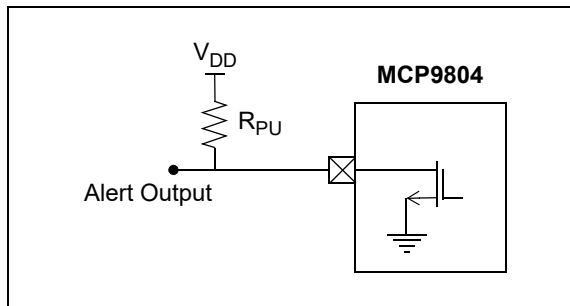
The Hysteresis bits cannot be changed if either of the Lock bits (CONFIG<7:6>) are set to '1'.

The  $T_{UPPER}$ ,  $T_{LOWER}$  and  $T_{CRIT}$  boundary conditions are described graphically in Figure 5-10.

### 5.2.3 ALERT OUTPUT CONFIGURATION

The Alert output can be enabled by using bit 3 of the CONFIG register (Alert Output Control bit) and can be configured as either a comparator output or as an Interrupt Output mode using bit 0 of CONFIG (Alert Output Mode bit). The polarity can also be specified as active-high or active-low using bit 1 of CONFIG (Alert Polarity bit). This is an open-drain output and requires a pull-up resistor.

When the ambient temperature increases above the critical temperature limit, the Alert output is forced to a comparator output (regardless of CONFIG<0>). When the temperature drifts below the critical temperature limit minus hysteresis, the Alert output automatically returns to the state specified by CONFIG<0> bit.



**FIGURE 5-9:** Active-Low Alert Output Configuration.

The status of the Alert output can be read using CONFIG<4> (Alert Output Status bit). This bit cannot be set to '1' in Shutdown mode.

Bits 7 and 6 of the CONFIG register can be used to lock the  $T_{UPPER}$ ,  $T_{LOWER}$  and  $T_{CRIT}$  registers. These bits prevent false triggers at the Alert output due to an accidental rewrite to these registers.

The Alert output can also be used as a critical temperature output using bit 2 of CONFIG (Alert Output Select bit). When this feature is selected, the Alert output becomes a comparator output. In this mode, the interrupt output configuration (Alert Output Mode bit, CONFIG<0>) is ignored.

#### 5.2.3.1 Comparator Mode

Comparator mode is selected using bit 0 of CONFIG. In this mode, the Alert output is asserted as active-high or active-low, using bit 1 of CONFIG. Figure 5-10 shows the conditions that toggle the Alert output.

If the device enters Shutdown mode with asserted Alert output, the output remains asserted during Shutdown mode. The device must be operating in Continuous Conversion mode for  $t_{CONV}$ . The  $T_A$  vs.  $T_{UPPER}$ ,  $T_{LOWER}$  and  $T_{CRIT}$  boundary conditions need to be satisfied in order for the Alert output to deassert.

Comparator mode is useful for thermostat type applications, such as turning on a cooling fan or triggering a system shutdown when the temperature exceeds a safe operating range.

## 5.2.3.2 Interrupt Mode

In Interrupt mode, the Alert output is asserted as active-high or active-low (depending on the polarity configuration) when  $T_A$  drifts above or below  $T_{UPPER}$  and  $T_{LOWER}$  limits. The output is deasserted by setting bit 5 (Interrupt Clear bit) of CONFIG. Shutting down the device will not reset or deassert the Alert output. This mode cannot be selected when the Alert output is used as a critical temperature output only, using bit 2 of CONFIG.

This mode is designed for interrupt driven microcontroller-based systems. The microcontroller receiving the interrupt will have to Acknowledge the interrupt by setting bit 5 of the CONFIG register from the MCP9804.

## 5.2.4 TEMPERATURE RESOLUTION

The MCP9804 is capable of providing temperature data with  $+0.5^\circ\text{C}$  to  $+0.0625^\circ\text{C}$  resolution. The resolution can be selected using the Resolution register ([Register 5-7](#)). It is located at address, '00001000'b, and it provides measurement flexibility. A  $+0.0625^\circ\text{C}$  resolution is set as a POR default by the factory.

**TABLE 5-2: TEMPERATURE CONVERSION TIME**

Resolution	$t_{CONV}$ (ms)	Samples/sec (typical)
$+0.5^\circ\text{C}$	30	33
$+0.25^\circ\text{C}$	65	15
$+0.125^\circ\text{C}$	130	7
$+0.0625^\circ\text{C}$ (Power-up Default)	250	4





### 5.3 Summary of Power-on Default

The MCP9804 has an internal Power-on Reset (POR) circuit. If the power supply voltage,  $V_{DD}$ , glitches below the  $V_{POR}$  threshold, the device resets the registers to the power-on default settings.

Table 5-3 shows the power-on default summary for the Temperature Sensor registers.

**TABLE 5-3: POWER-ON RESET DEFAULTS**

Registers		Default Register Data (Hexadecimal)	Power-Up Default Register Description
Address (Hexadecimal)	Register Name		
0x01	CONFIG	0x0000	Comparator Mode Active-Low Output Alert and Critical Output Output Disabled Alert Not Asserted Interrupt Cleared Alert Limits Unlocked Critical Limit Unlocked Continuous Conversion 0°C Hysteresis
0x02	$T_{UPPER}$	0x0000	0°C
0x03	$T_{LOWER}$	0x0000	0°C
0x04	$T_{CRIT}$	0x0000	0°C
0x05	$T_A$	0x0000	0°C
0x06	Manufacturer ID	0x0054	0x0054 (hex)
0x07	Device ID/Device Revision	0x0201	0x0201 (hex)
0x08	Resolution	0x03	0x03 (hex)

# MCP9804

---

NOTES:

## 6.0 APPLICATIONS INFORMATION

### 6.1 Layout Considerations

The MCP9804 does not require any additional components besides the master controller in order to measure temperature. However, it is recommended that a decoupling capacitor of 0.1  $\mu\text{F}$  to 1  $\mu\text{F}$  be used between the  $V_{\text{DD}}$  and GND pins. A high-frequency ceramic capacitor is recommended. It is necessary for the capacitor to be located as close as possible to the power and ground pins of the device in order to provide effective noise protection.

In addition, good PCB layout is key for better thermal conduction from the PCB temperature to the sensor die. For good temperature sensitivity, add a ground layer under the device pins, as shown in Figure 6-1.

### 6.2 Thermal Considerations

A potential for self-heating errors can exist if the MCP9804 SDA, SCL and Event lines are heavily loaded with pull-ups (high current). Typically, the self-heating error is negligible because of the relatively small current consumption of the MCP9804.

A temperature accuracy error of approximately  $+0.5^{\circ}\text{C}$  could result from self-heating if the communication pins sink/source the maximum current specified.

For example, if the event output is loaded to maximum  $I_{\text{OL}}$ , Equation 6-1 can be used to determine the effect of self-heating.

#### EQUATION 6-1: EFFECT OF SELF-HEATING

$$T_{\Delta} = \theta_{\text{JA}}(V_{\text{DD}} \cdot I_{\text{DD}} + V_{\text{OL\_Alert}} \cdot I_{\text{OL\_Alert}} + V_{\text{OL\_SDA}} \cdot I_{\text{OL\_SDA}})$$

Where:

$$T_{\Delta} = T_{\text{J}} - T_{\text{A}}$$

$T_{\text{J}}$  = Junction Temperature

$T_{\text{A}}$  = Ambient Temperature

$\theta_{\text{JA}}$  = Package Thermal Resistance

$V_{\text{OL\_Alert, SDA}}$  = Alert and SDA Output  $V_{\text{OL}}$   
( $0.4 V_{\text{max}}$ )

$I_{\text{OL\_Alert, SDA}}$  = Alert and SDA Output  $I_{\text{OL}}$   
( $3 \text{ mA}_{\text{max}}$ )

At room temperature ( $T_{\text{A}} = +25^{\circ}\text{C}$ ) with maximum  $I_{\text{DD}} = 500 \mu\text{A}$  and  $V_{\text{DD}} = 3.6\text{V}$ , the self-heating due to power dissipation  $T_{\Delta}$  is  $+0.2^{\circ}\text{C}$  for the DFN-8 package and  $+0.5^{\circ}\text{C}$  for the TSSOP-8 package.

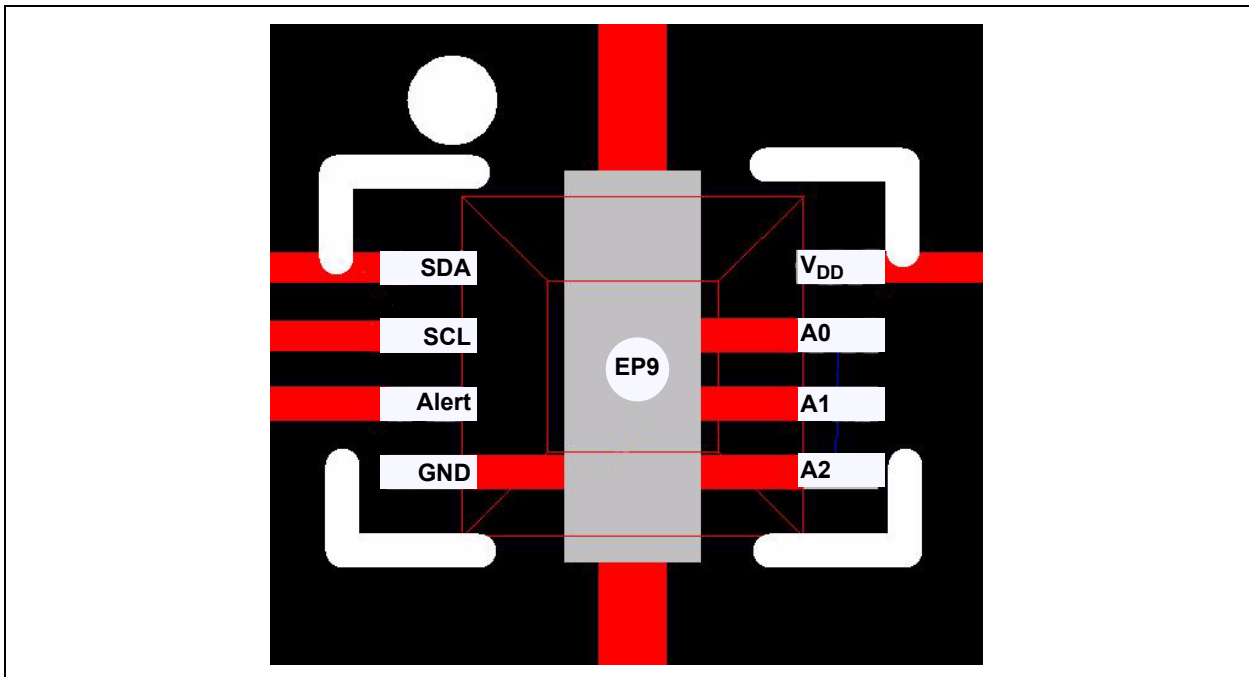


FIGURE 6-1: DFN Package Layout (Top View)

# MCP9804

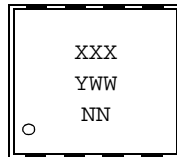
---

NOTES:

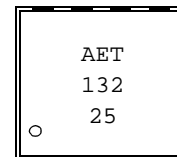
## 7.0 PACKAGING INFORMATION

### 7.1 Package Marking Information

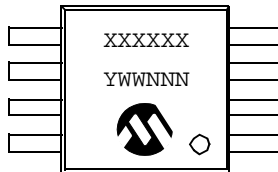
8-Lead DFN (2 x 3)



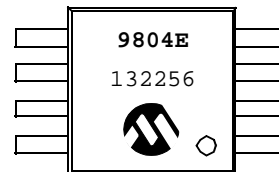
Example:



8-Lead MSOP



Example:



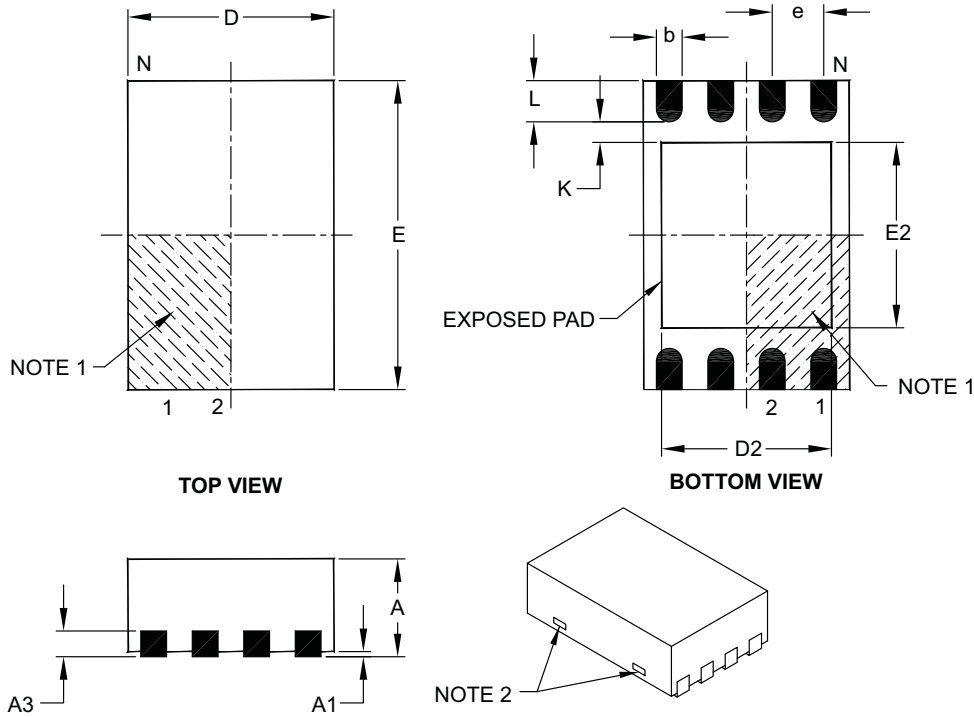
<b>Legend:</b>	XX...X	Customer-specific information
	Y	Year code (last digit of calendar year)
	YY	Year code (last 2 digits of calendar year)
	WW	Week code (week of January 1 is week '01')
	NNN	Alphanumeric traceability code
	(e3)	Pb-free JEDEC designator for Matte Tin (Sn)
	*	This package is Pb-free. The Pb-free JEDEC designator (e3) can be found on the outer packaging for this package.

**Note:** In the event the full Microchip part number cannot be marked on one line, it will be carried over to the next line, thus limiting the number of available characters for customer-specific information.

# MCP9804

## 8-Lead Plastic Dual Flat, No Lead Package (MC) – 2x3x0.9 mm Body [DFN]

**Note:** For the most current package drawings, please see the Microchip Packaging Specification located at <http://www.microchip.com/packaging>



Dimension Limits	Units	MILLIMETERS		
		MIN	NOM	MAX
Number of Pins	N	8		
Pitch	e	0.50 BSC		
Overall Height	A	0.80	0.90	1.00
Standoff	A1	0.00	0.02	0.05
Contact Thickness	A3	0.20 REF		
Overall Length	D	2.00 BSC		
Overall Width	E	3.00 BSC		
Exposed Pad Length	D2	1.30	–	1.55
Exposed Pad Width	E2	1.50	–	1.75
Contact Width	b	0.20	0.25	0.30
Contact Length	L	0.30	0.40	0.50
Contact-to-Exposed Pad	K	0.20	–	–

**Notes:**

- Pin 1 visual index feature may vary, but must be located within the hatched area.
- Package may have one or more exposed tie bars at ends.
- Package is saw singulated.
- Dimensioning and tolerancing per ASME Y14.5M.

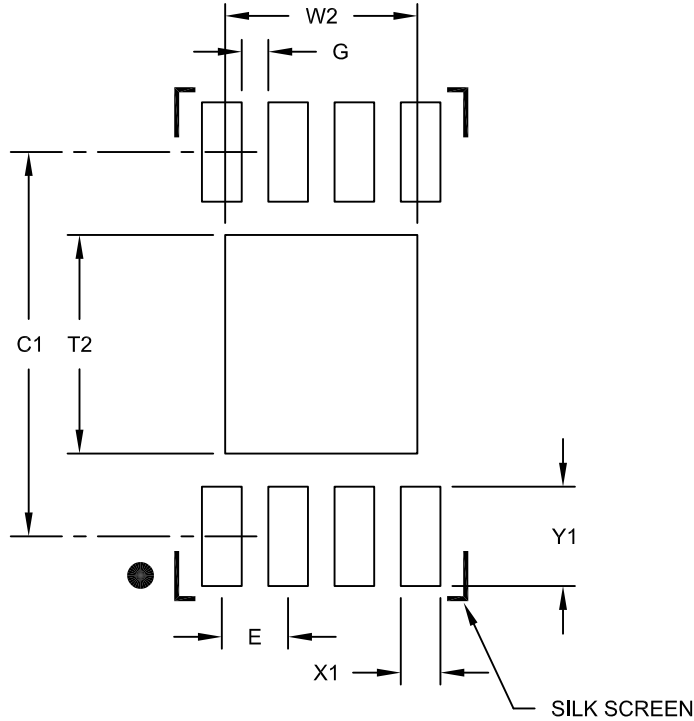
BSC: Basic Dimension. Theoretically exact value shown without tolerances.

REF: Reference Dimension, usually without tolerance, for information purposes only.

Microchip Technology Drawing C04-123C

## 8-Lead Plastic Dual Flat, No Lead Package (MC) - 2x3x0.9mm Body [DFN]

**Note:** For the most current package drawings, please see the Microchip Packaging Specification located at <http://www.microchip.com/packaging>



### RECOMMENDED LAND PATTERN

Dimension Limits	Units	MILLIMETERS		
		MIN	NOM	MAX
Contact Pitch	E	0.50 BSC		
Optional Center Pad Width	W2			1.45
Optional Center Pad Length	T2			1.75
Contact Pad Spacing	C1		2.90	
Contact Pad Width (X8)	X1			0.30
Contact Pad Length (X8)	Y1			0.75
Distance Between Pads	G	0.20		

**Notes:**

1. Dimensioning and tolerancing per ASME Y14.5M

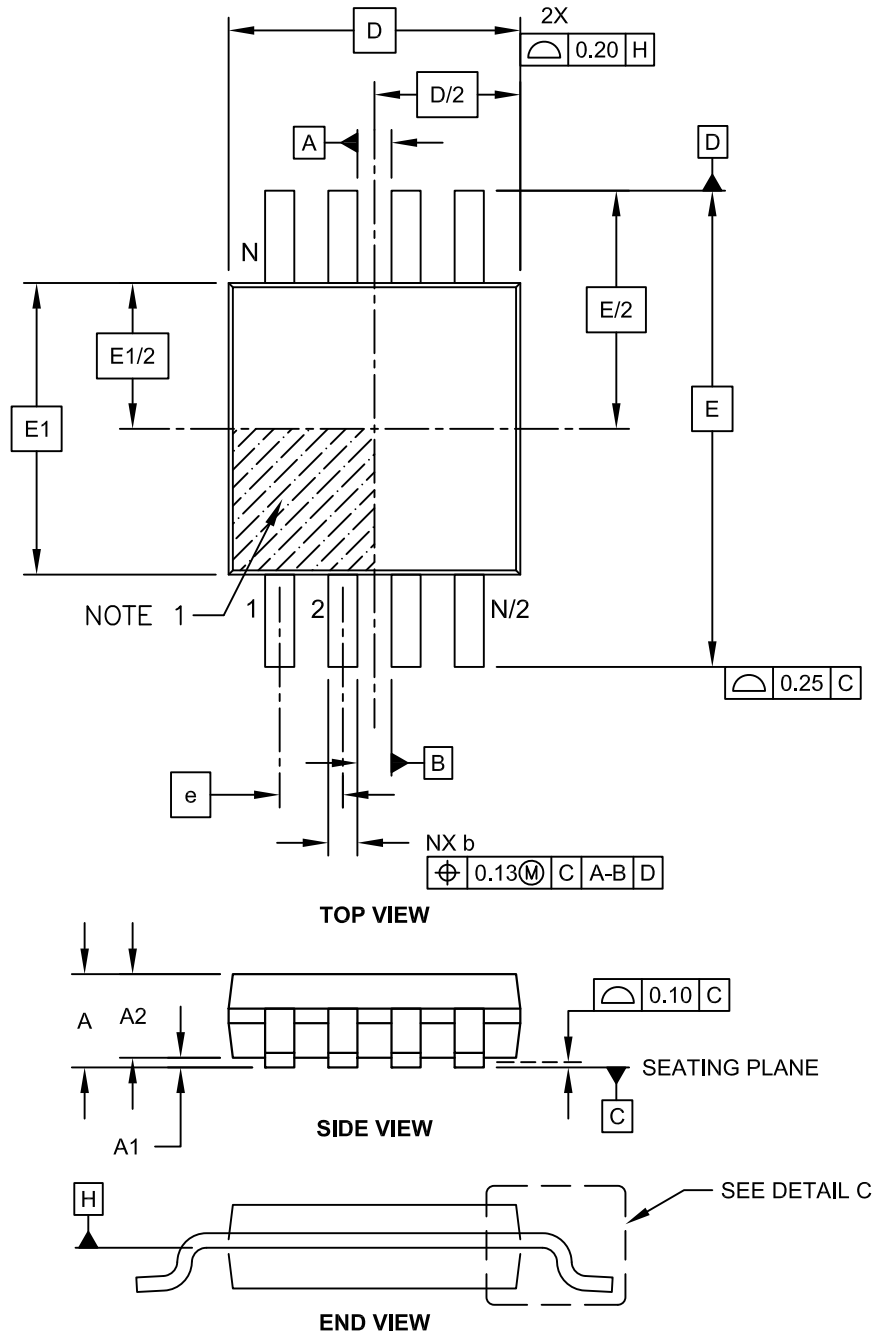
BSC: Basic Dimension. Theoretically exact value shown without tolerances.

Microchip Technology Drawing No. C04-2123B

# MCP9804

## 8-Lead Plastic Micro Small Outline Package (MS) [MSOP]

**Note:** For the most current package drawings, please see the Microchip Packaging Specification located at <http://www.microchip.com/packaging>

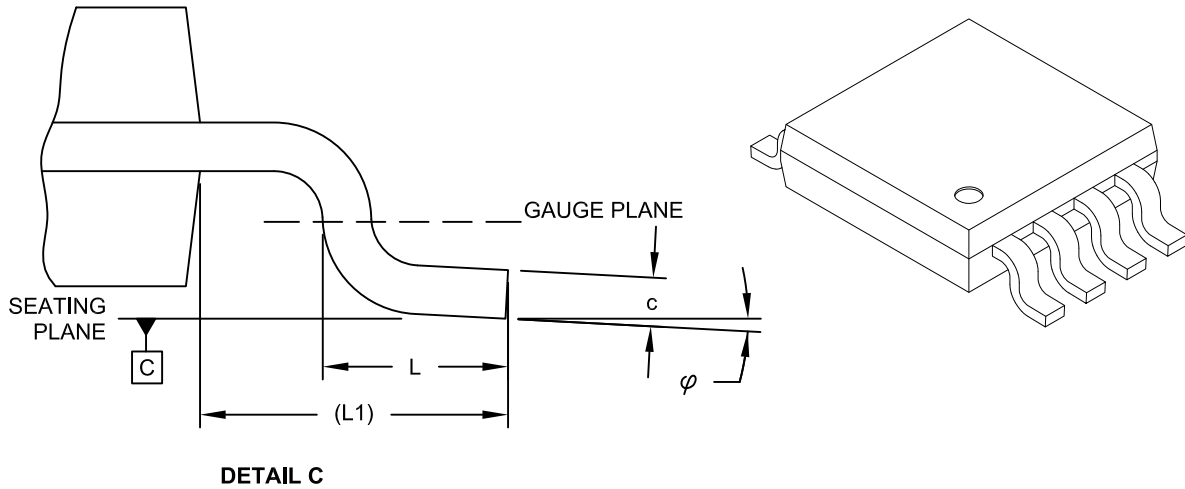


Microchip Technology Drawing C04-111C Sheet 1 of 2



## 8-Lead Plastic Micro Small Outline Package (MS) [MSOP]

**Note:** For the most current package drawings, please see the Microchip Packaging Specification located at <http://www.microchip.com/packaging>



Dimension Limits	Units	MILLIMETERS		
		MIN	NOM	MAX
Number of Pins	N		8	
Pitch	e	0.65 BSC		
Overall Height	A	-	-	1.10
Molded Package Thickness	A2	0.75	0.85	0.95
Standoff	A1	0.00	-	0.15
Overall Width	E	4.90 BSC		
Molded Package Width	E1	3.00 BSC		
Overall Length	D	3.00 BSC		
Foot Length	L	0.40	0.60	0.80
Footprint	L1	0.95 REF		
Foot Angle	φ	0°	-	8°
Lead Thickness	c	0.08	-	0.23
Lead Width	b	0.22	-	0.40

**Notes:**

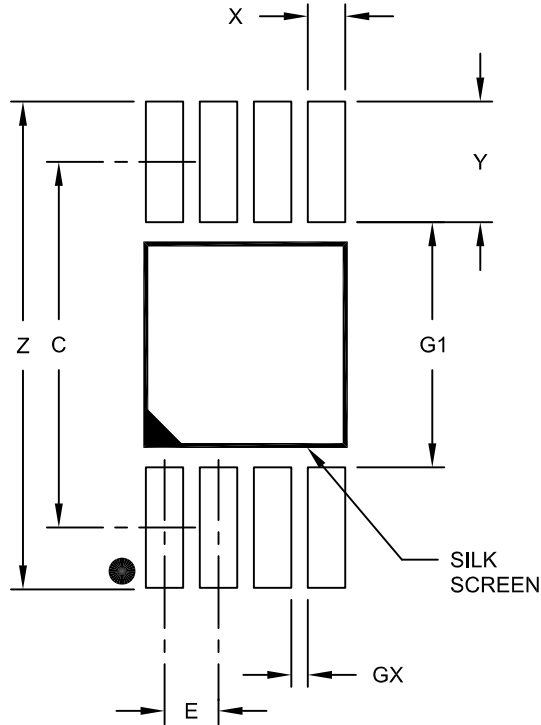
- Pin 1 visual index feature may vary, but must be located within the hatched area.
- Dimensions D and E1 do not include mold flash or protrusions. Mold flash or protrusions shall not exceed 0.15mm per side.
- Dimensioning and tolerancing per ASME Y14.5M.  
 BSC: Basic Dimension. Theoretically exact value shown without tolerances.  
 REF: Reference Dimension, usually without tolerance, for information purposes only.

Microchip Technology Drawing C04-111C Sheet 2 of 2

# MCP9804

## 8-Lead Plastic Micro Small Outline Package (MS) [MSOP]

**Note:** For the most current package drawings, please see the Microchip Packaging Specification located at <http://www.microchip.com/packaging>



RECOMMENDED LAND PATTERN

Dimension Limits	Units	MILLIMETERS		
		MIN	NOM	MAX
Contact Pitch	E	0.65 BSC		
Contact Pad Spacing	C		4.40	
Overall Width	Z			5.85
Contact Pad Width (X8)	X1			0.45
Contact Pad Length (X8)	Y1			1.45
Distance Between Pads	G1	2.95		
Distance Between Pads	GX	0.20		

Notes:

1. Dimensioning and tolerancing per ASME Y14.5M

BSC: Basic Dimension. Theoretically exact value shown without tolerances.

Microchip Technology Drawing No. C04-2111A

### Software License Agreement

The software supplied herewith by Microchip Technology Incorporated (the "Company") is intended and supplied to you, the Company's customer, for use solely and exclusively with products manufactured by the Company.

The software is owned by the Company and/or its supplier, and is protected under applicable copyright laws. All rights are reserved. Any use in violation of the foregoing restrictions may subject the user to criminal sanctions under applicable laws, as well as to civil liability for the breach of the terms and conditions of this license.

THIS SOFTWARE IS PROVIDED IN AN "AS IS" CONDITION. NO WARRANTIES, WHETHER EXPRESS, IMPLIED OR STATUTORY, INCLUDING, BUT NOT LIMITED TO, IMPLIED WARRANTIES OF MERCHANTABILITY AND FITNESS FOR A PARTICULAR PURPOSE APPLY TO THIS SOFTWARE. THE COMPANY SHALL NOT, IN ANY CIRCUMSTANCES, BE LIABLE FOR SPECIAL, INCIDENTAL OR CONSEQUENTIAL DAMAGES, FOR ANY REASON WHATSOEVER.

## APPENDIX A: SOURCE CODE

```

/*****
FileName:      I2C.c
Processor:     PIC18 Microcontrollers
Compiler:      Microchip C18 (for PIC18) or C30 (for PIC24)
Company:       Microchip Technology, Inc.

#include <p18cxxx.h> // This code is developed for PIC18F2550
//It can be modified to be used with any PICmicro with MSSP module

/** PRIVATE PROTOTYPES *****/
void i2c_init(void);
void i2c_start(void);
void i2c_repStart(void);
void i2c_stop(void);
unsigned char i2c_write( unsigned char i2cWriteData );
unsigned char i2c_read( unsigned char ack );

/*****
*   Function Name:  i2c_init
*   Return Value:   void
*   Parameters:     Enable SSP
*   Description:    This function sets up the SSP1 module on a
*                   PIC18CXXX device for use with a Microchip I2C
*****/
void i2c_init(void) {

    TRISBbits.TRISB0 = 1;           // Digital Output (make it input only when reading data)
    TRISBbits.TRISB1 = 1;           // Digital Output

    SSPCON1 = 0x28;                 // enable I2C Master mode
    SSPCON2 = 0x00;                 // clear control bits
    SSPSTAT = 0x80;                 // disable slew rate control; disable SMBus

    SSPADD = 19;                    // set baud rate to 100 kHz (Fosc = 48 MHz)

    PIR1bits.SSPIF = 0;
    PIR2bits.BCLIF = 0;

    SSPCON2bits.SEN = 0;            // force idle condition
}

```

# MCP9804

---

```

/*****
*   Function Name:    i2c_start
*   Return Value:    void
*   Parameters:      void
*   Description:     Send I2C Start Command
*****/
void i2c_start(void) {

    PIR1bits.SSPIF = 0; //clear flag
    while (SSPSTATbits.BF ); // wait for idle condition

    SSPCON2bits.SEN = 1; // initiate START condition

    while (!PIR1bits.SSPIF) ; // wait for a flag to be set
    PIR1bits.SSPIF = 0; // clear flag
}

/*****
*   Function Name:    i2c_repStart
*   Return Value:    void
*   Parameters:      void
*   Description:     Resend I2C Start Command
*
*****/
void i2c_repStart(void) {

    PIR1bits.SSPIF = 0; // clear flag
    while ( SSPSTATbits.BF ) ; // wait for idle condition

    SSPCON2bits.RSEN = 1; // initiate Repeated START condition

    while (!PIR1bits.SSPIF) ; // wait for a flag to be set
    PIR1bits.SSPIF = 0; // clear flag

}

/*****
*   Function Name:    i2c_stop
*   Return Value:    void
*   Parameters:      void
*   Description:     Send I2C Stop command
*
*****/
void i2c_stop(void) {

    PIR1bits.SSPIF = 0; // clear flag
    while ( SSPSTATbits.BF ) ; // wait for idle condition

    SSPCON2bits.PEN = 1; // Initiate STOP condition

    while (!PIR1bits.SSPIF) ; // wait for a flag to be set
    PIR1bits.SSPIF = 0; // clear flag

}

```

```

/*****
*   Function Name:      i2c_write
*   Return Value:      Status byte for WCOL detection.
*   Parameters:        Single data byte for I2C2 bus.
*   Description:        This routine writes a single byte to the
*                       I2C2 bus.
*****/
unsigned char i2c_write( unsigned char i2cWriteData ) {

    PIR1bits.SSPIF = 0; // clear interrupt
    while ( SSPSTATbits.BF ) ; // wait for idle condition

    SSPBUF = i2cWriteData; // Load SSPBUF with i2cWriteData (the value to be transmit-
ted)

    while (!PIR1bits.SSPIF) ; // wait for a flag to be set
    PIR1bits.SSPIF = 0; // clear flag

    return ( !SSPCON2bits.ACKSTAT ); // function returns '1' if transmission is acknowledged
}

/*****
*   Function Name:      i2c_read
*   Return Value:      contents of SSP2BUF register
*   Parameters:        ack = 1 and nak = 0
*   Description:        Read a byte from I2C bus and ACK/NAK device
*****/
unsigned char i2c_read( unsigned char ack ) {

    unsigned char i2cReadData;

    PIR1bits.SSPIF = 0; // clear interrupt

    while ( SSPSTATbits.BF ) ; // wait for idle condition
    SSPCON2bits.RCEN = 1; // enable receive mode

    while (!PIR1bits.SSPIF) ; // wait for a flag to be set
    PIR1bits.SSPIF = 0; // clear flag

    i2cReadData = SSPBUF; // Read SSPBUF and put it in i2cReadData

    if ( ack ) { // if ack=1
        SSPCON2bits.ACKDT = 0; // then transmit an Acknowledge
    } else {
        SSPCON2bits.ACKDT = 1; // otherwise transmit a Not Acknowledge
    }

    SSPCON2bits.ACKEN = 1; // send acknowledge sequence

    while (!PIR1bits.SSPIF) ; // wait for a flag to be set
    PIR1bits.SSPIF = 0; // clear flag

    return( i2cReadData ); // return the value read from SSPBUF
}

```

# MCP9804

---

NOTES:

## APPENDIX B: REVISION HISTORY

### Revision D (April 2018)

The following is the list of modifications:

1. Updated the “[Sensor Serial Interface Timing Specifications](#)” table.
2. Various typographical edits.

### Revision C (January 2012)

The following is the list of modifications:

1. Typographical edits were made to the “[Digital Input/Output Pin Characteristics](#)” table.
2. The “[Sensor Serial Interface Timing Specifications](#)” table is updated with the 400 kHz timing specification.
3. Added typical specifications for accuracy drift and repeatability.

### Revision B (December 2009)

The following is the list of modifications:

1. Updated the resolution parameter in the “[Temperature Sensor DC Characteristics](#)” table.
2. Updated [Figure 5-7](#).
3. Updated [Figure 5-10](#).
4. Updated Source Code in Appendix A.

### Revision A (September 2009)

- Original release of this document.

# MCP9804

---

NOTES:



## PRODUCT IDENTIFICATION SYSTEM

To order or obtain information, e.g., on pricing or delivery, refer to the factory or the listed sales office.

<u>PART NO.</u>	X	-X	XX
Device	Tape and Reel and/or Alternate Pinout	Temperature Range	Package
Device:	MCP9804: Digital Temperature Sensor MCP9804T: Digital Temperature Sensor (Tape and Reel)		
Temperature Range:	E = -40°C to +125°C		
Package:	MC = Plastic Dual Flat No-Lead (DFN) 2x3, 8-lead MS = Plastic Micro Small Outline (MSOP), 8-lead		

**Examples:**

- a) MCP9804-E/MC: Extended Temperature, 8LD DFN package
- b) MCP9804-E/MS: Extended Temperature, 8LD MSOP package
- c) MCP9804T-E/MC: Tape and Reel, Extended Temperature, 8LD DFN package
- d) MCP9804T-E/MS: Tape and Reel, Extended Temperature, 8LD MSOP package.

# MCP9804

---

NOTES:

**Note the following details of the code protection feature on Microchip devices:**

- Microchip products meet the specification contained in their particular Microchip Data Sheet.
- Microchip believes that its family of products is one of the most secure families of its kind on the market today, when used in the intended manner and under normal conditions.
- There are dishonest and possibly illegal methods used to breach the code protection feature. All of these methods, to our knowledge, require using the Microchip products in a manner outside the operating specifications contained in Microchip's Data Sheets. Most likely, the person doing so is engaged in theft of intellectual property.
- Microchip is willing to work with the customer who is concerned about the integrity of their code.
- Neither Microchip nor any other semiconductor manufacturer can guarantee the security of their code. Code protection does not mean that we are guaranteeing the product as “unbreakable.”

Code protection is constantly evolving. We at Microchip are committed to continuously improving the code protection features of our products. Attempts to break Microchip's code protection feature may be a violation of the Digital Millennium Copyright Act. If such acts allow unauthorized access to your software or other copyrighted work, you may have a right to sue for relief under that Act.

Information contained in this publication regarding device applications and the like is provided only for your convenience and may be superseded by updates. It is your responsibility to ensure that your application meets with your specifications. MICROCHIP MAKES NO REPRESENTATIONS OR WARRANTIES OF ANY KIND WHETHER EXPRESS OR IMPLIED, WRITTEN OR ORAL, STATUTORY OR OTHERWISE, RELATED TO THE INFORMATION, INCLUDING BUT NOT LIMITED TO ITS CONDITION, QUALITY, PERFORMANCE, MERCHANTABILITY OR FITNESS FOR PURPOSE. Microchip disclaims all liability arising from this information and its use. Use of Microchip devices in life support and/or safety applications is entirely at the buyer's risk, and the buyer agrees to defend, indemnify and hold harmless Microchip from any and all damages, claims, suits, or expenses resulting from such use. No licenses are conveyed, implicitly or otherwise, under any Microchip intellectual property rights unless otherwise stated.

*Microchip received ISO/TS-16949:2009 certification for its worldwide headquarters, design and wafer fabrication facilities in Chandler and Tempe, Arizona; Gresham, Oregon and design centers in California and India. The Company's quality system processes and procedures are for its PIC® MCUs and dsPIC® DSCs, KEELoQ® code hopping devices, Serial EEPROMs, microperipherals, nonvolatile memory and analog products. In addition, Microchip's quality system for the design and manufacture of development systems is ISO 9001:2000 certified.*

**QUALITY MANAGEMENT SYSTEM  
CERTIFIED BY DNV  
= ISO/TS 16949 =**

## Trademarks

The Microchip name and logo, the Microchip logo, AnyRate, AVR, AVR logo, AVR Freaks, BeaconThings, BitCloud, CryptoMemory, CryptoRF, dsPIC, FlashFlex, flexPWR, Helder, JukeBlox, KEELoQ, KEELoQ logo, Kleer, LANCheck, LINK MD, maXStylus, maXTouch, MediaLB, megaAVR, MOST, MOST logo, MPLAB, OptoLyzer, PIC, picoPower, PICSTART, PIC32 logo, Prochip Designer, QTouch, RightTouch, SAM-BA, SpyNIC, SST, SST Logo, SuperFlash, tinyAVR, UNI/O, and XMEGA are registered trademarks of Microchip Technology Incorporated in the U.S.A. and other countries.

ClockWorks, The Embedded Control Solutions Company, EtherSynch, Hyper Speed Control, HyperLight Load, IntelliMOS, mTouch, Precision Edge, and Quiet-Wire are registered trademarks of Microchip Technology Incorporated in the U.S.A.

Adjacent Key Suppression, AKS, Analog-for-the-Digital Age, Any Capacitor, AnyIn, AnyOut, BodyCom, chipKIT, chipKIT logo, CodeGuard, CryptoAuthentication, CryptoCompanion, CryptoController, dsPICDEM, dsPICDEM.net, Dynamic Average Matching, DAM, ECAN, EtherGREEN, In-Circuit Serial Programming, ICSP, Inter-Chip Connectivity, JitterBlocker, KleerNet, KleerNet logo, Mindi, MiWi, motorBench, MPASM, MPF, MPLAB Certified logo, MPLIB, MPLINK, MultiTRAK, NetDetach, Omniscient Code Generation, PICDEM, PICDEM.net, PICKit, PICtail, PureSilicon, QMatrix, RightTouch logo, REAL ICE, Ripple Blocker, SAM-ICE, Serial Quad I/O, SMART-I.S., SQI, SuperSwitcher, SuperSwitcher II, Total Endurance, TSHARC, USBCheck, VariSense, ViewSpan, WiperLock, Wireless DNA, and ZENA are trademarks of Microchip Technology Incorporated in the U.S.A. and other countries.

SQTP is a service mark of Microchip Technology Incorporated in the U.S.A.

Silicon Storage Technology is a registered trademark of Microchip Technology Inc. in other countries.

GestIC is a registered trademark of Microchip Technology Germany II GmbH & Co. KG, a subsidiary of Microchip Technology Inc., in other countries.

All other trademarks mentioned herein are property of their respective companies.

© 2009-2018, Microchip Technology Incorporated, All Rights Reserved.

ISBN: 978-1-5224-2859-6



# MICROCHIP

## Worldwide Sales and Service

### AMERICAS

**Corporate Office**  
2355 West Chandler Blvd.  
Chandler, AZ 85224-6199  
Tel: 480-792-7200  
Fax: 480-792-7277  
Technical Support:  
<http://www.microchip.com/support>  
Web Address:  
[www.microchip.com](http://www.microchip.com)

**Atlanta**  
Duluth, GA  
Tel: 678-957-9614  
Fax: 678-957-1455

**Austin, TX**  
Tel: 512-257-3370

**Boston**  
Westborough, MA  
Tel: 774-760-0087  
Fax: 774-760-0088

**Chicago**  
Itasca, IL  
Tel: 630-285-0071  
Fax: 630-285-0075

**Dallas**  
Addison, TX  
Tel: 972-818-7423  
Fax: 972-818-2924

**Detroit**  
Novi, MI  
Tel: 248-848-4000

**Houston, TX**  
Tel: 281-894-5983

**Indianapolis**  
Noblesville, IN  
Tel: 317-773-8323  
Fax: 317-773-5453  
Tel: 317-536-2380

**Los Angeles**  
Mission Viejo, CA  
Tel: 949-462-9523  
Fax: 949-462-9608  
Tel: 951-273-7800

**Raleigh, NC**  
Tel: 919-844-7510

**New York, NY**  
Tel: 631-435-6000

**San Jose, CA**  
Tel: 408-735-9110  
Tel: 408-436-4270

**Canada - Toronto**  
Tel: 905-695-1980  
Fax: 905-695-2078

### ASIA/PACIFIC

**Asia Pacific Office**  
Suites 3707-14, 37th Floor  
Tower 6, The Gateway  
Harbour City, Kowloon

**Hong Kong**  
Tel: 852-2943-5100  
Fax: 852-2401-3431

**Australia - Sydney**  
Tel: 61-2-9868-6733  
Fax: 61-2-9868-6755

**China - Beijing**  
Tel: 86-10-8569-7000  
Fax: 86-10-8528-2104

**China - Chengdu**  
Tel: 86-28-8665-5511  
Fax: 86-28-8665-7889

**China - Chongqing**  
Tel: 86-23-8980-9588  
Fax: 86-23-8980-9500

**China - Dongguan**  
Tel: 86-769-8702-9880

**China - Guangzhou**  
Tel: 86-20-8755-8029

**China - Hangzhou**  
Tel: 86-571-8792-8115  
Fax: 86-571-8792-8116

**China - Hong Kong SAR**  
Tel: 852-2943-5100  
Fax: 852-2401-3431

**China - Nanjing**  
Tel: 86-25-8473-2460  
Fax: 86-25-8473-2470

**China - Qingdao**  
Tel: 86-532-8502-7355  
Fax: 86-532-8502-7205

**China - Shanghai**  
Tel: 86-21-3326-8000  
Fax: 86-21-3326-8021

**China - Shenyang**  
Tel: 86-24-2334-2829  
Fax: 86-24-2334-2393

**China - Shenzhen**  
Tel: 86-755-8864-2200  
Fax: 86-755-8203-1760

**China - Wuhan**  
Tel: 86-27-5980-5300  
Fax: 86-27-5980-5118

**China - Xian**  
Tel: 86-29-8833-7252  
Fax: 86-29-8833-7256

### ASIA/PACIFIC

**China - Xiamen**  
Tel: 86-592-2388138  
Fax: 86-592-2388130

**China - Zhuhai**  
Tel: 86-756-3210040  
Fax: 86-756-3210049

**India - Bangalore**  
Tel: 91-80-3090-4444  
Fax: 91-80-3090-4123

**India - New Delhi**  
Tel: 91-11-4160-8631  
Fax: 91-11-4160-8632

**India - Pune**  
Tel: 91-20-3019-1500

**Japan - Osaka**  
Tel: 81-6-6152-7160  
Fax: 81-6-6152-9310

**Japan - Tokyo**  
Tel: 81-3-6880-3770  
Fax: 81-3-6880-3771

**Korea - Daegu**  
Tel: 82-53-744-4301  
Fax: 82-53-744-4302

**Korea - Seoul**  
Tel: 82-2-554-7200  
Fax: 82-2-558-5932 or  
82-2-558-5934

**Malaysia - Kuala Lumpur**  
Tel: 60-3-6201-9857  
Fax: 60-3-6201-9859

**Malaysia - Penang**  
Tel: 60-4-227-8870  
Fax: 60-4-227-4068

**Philippines - Manila**  
Tel: 63-2-634-9065  
Fax: 63-2-634-9069

**Singapore**  
Tel: 65-6334-8870  
Fax: 65-6334-8850

**Taiwan - Hsin Chu**  
Tel: 886-3-5778-366  
Fax: 886-3-5770-955

**Taiwan - Kaohsiung**  
Tel: 886-7-213-7830

**Taiwan - Taipei**  
Tel: 886-2-2508-8600  
Fax: 886-2-2508-0102

**Thailand - Bangkok**  
Tel: 66-2-694-1351  
Fax: 66-2-694-1350

### EUROPE

**Austria - Wels**  
Tel: 43-7242-2244-39  
Fax: 43-7242-2244-393

**Denmark - Copenhagen**  
Tel: 45-4450-2828  
Fax: 45-4485-2829

**Finland - Espoo**  
Tel: 358-9-4520-820

**France - Paris**  
Tel: 33-1-69-53-63-20  
Fax: 33-1-69-30-90-79

**Germany - Garching**  
Tel: 49-8931-9700

**Germany - Haan**  
Tel: 49-2129-3766400

**Germany - Heilbronn**  
Tel: 49-7131-67-3636

**Germany - Karlsruhe**  
Tel: 49-721-625370

**Germany - Munich**  
Tel: 49-89-627-144-0  
Fax: 49-89-627-144-44

**Germany - Rosenheim**  
Tel: 49-8031-354-560

**Israel - Ra'anana**  
Tel: 972-9-744-7705

**Italy - Milan**  
Tel: 39-0331-742611  
Fax: 39-0331-466781

**Italy - Padova**  
Tel: 39-049-7625286

**Netherlands - Drunen**  
Tel: 31-416-690399  
Fax: 31-416-690340

**Norway - Trondheim**  
Tel: 47-7289-7561

**Poland - Warsaw**  
Tel: 48-22-3325737

**Romania - Bucharest**  
Tel: 40-21-407-87-50

**Spain - Madrid**  
Tel: 34-91-708-08-90  
Fax: 34-91-708-08-91

**Sweden - Gothenberg**  
Tel: 46-31-704-60-40

**Sweden - Stockholm**  
Tel: 46-8-5090-4654

**UK - Wokingham**  
Tel: 44-118-921-5800  
Fax: 44-118-921-5820