

Lithium Iron Phosphate (LiFePO₄) Battery Charge Management Controller with Input Overvoltage Protection

Features

- Complete Linear Charge Management Controller:
 - Integrated Input Overvoltage Protection
 - Integrated Pass Transistor
 - Integrated Current Sense
 - Integrated Reverse Discharge Protection
- Constant Current / Constant Voltage Operation with Thermal Regulation
- 4.15V Undervoltage Lockout (UVLO)
- 18V Absolute Maximum Input with OVP:
 - 6.5V - MCP73123
 - 13V - MCP73223
- High Accuracy Preset Voltage Regulation Through Full Temperature Range (-5°C to +55°C):
 - ± 0.5% - MCP73123
 - ± 0.6% - MCP73223
- Battery Charge Voltage Options:
 - 3.6V - MCP73123
 - 7.2V - MCP73223
- Resistor Programmable Fast Charge Current:
 - 130 mA - 1100 mA
- Preconditioning of Deeply Depleted Cells:
 - Available Options: 10% or Disable
- Integrated Precondition Timer:
 - 32 Minutes or Disable
- Automatic End-of-Charge Control:
 - Selectable Minimum Current Ratio: 5%, 7.5%, 10% or 20%
 - Elapse Safety Timer: 4 HR, 6 HR, 8 HR or Disable
- Automatic Recharge:
 - Available Options: 95% or Disable
- Factory Preset Charge Status Output:
 - On/Off or Flashing
- Soft Start
- Temperature Range: -40°C to +85°C
- Packaging: DFN-10 (3 mm x 3 mm)

Applications

- Low-Cost LiFePO₄ Battery Chargers
- Power Tools
- Toys

- Backup Energy Storages

Description

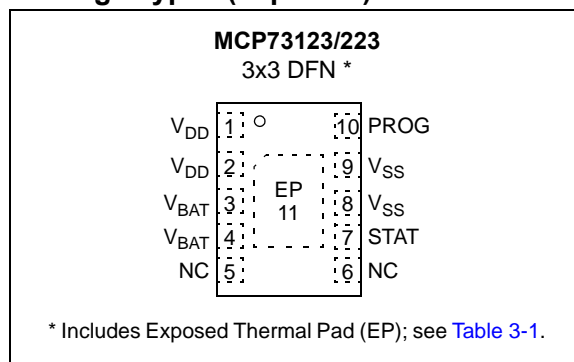
The MCP73123/223 is a highly integrated Lithium Iron Phosphate(LiFePO₄) battery charge management controller for use in space-limited and cost-sensitive applications. The MCP73123/223 provides specific charge algorithms for LiFePO₄ batteries to achieve optimal capacity and safety in the shortest charging time possible. Along with its small physical size, the low number of external components makes the MCP73123/223 ideally suitable for various applications. The absolute maximum voltage, up to 18V, allows the use of MCP73123/223 in harsh environments, such as low cost wall wart or voltage spikes from plug/unplug.

The MCP73123/223 employs a constant current / constant voltage charge algorithm. The 3.6V per cell factory preset reference voltage simplifies design with 2V preconditioning threshold. The fast charge, constant current value is set with one external resistor from 130 mA to 1100 mA. The MCP73123/223 also limits the charge current based on die temperature during high power or high ambient conditions. This thermal regulation optimizes the charge cycle time while maintaining device reliability.

The PROG pin of the MCP73123/223 also serves as enable pin. When high impedance is applied, the MCP73123/223 will be in standby mode.

The MCP73123/223 is fully specified over the ambient temperature range of -40°C to +85°C. The MCP73123/223 is available in a 10 lead, DFN package.

Package Types (Top View)



MCP73123/223

Typical Application

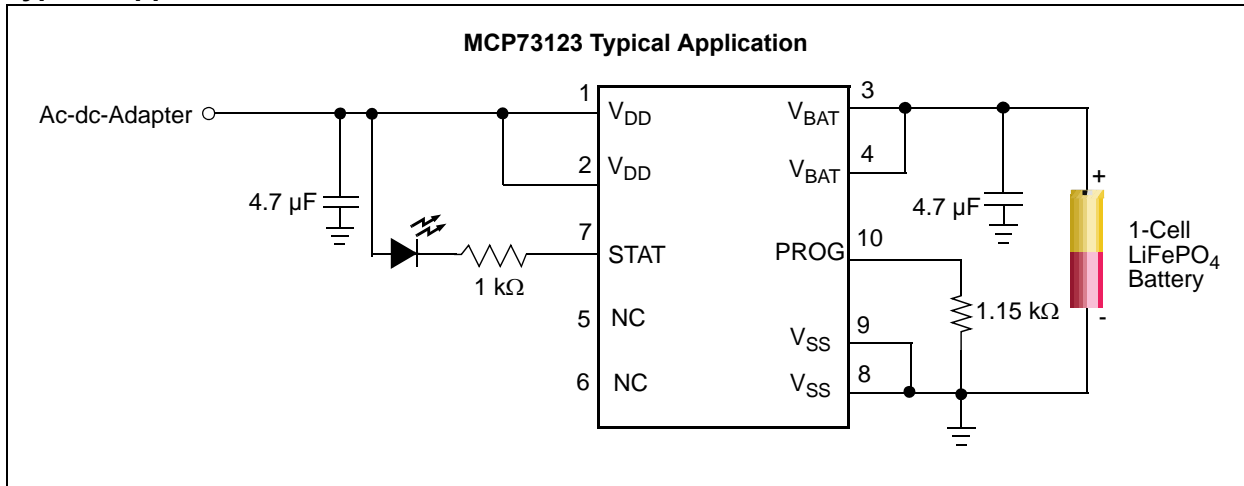


TABLE 1: AVAILABLE FACTORY PRESET OPTIONS

| Charge Voltage | OVP | Pre-conditioning Charge Current | Pre-conditioning Threshold | Precondition Timer | Elapse Timer | End-of-Charge Control | Automatic Recharge | Output Status |
|----------------|------|---------------------------------|----------------------------|----------------------|------------------------------|-----------------------|--------------------|-----------------|
| 3.6V | 6.5V | Disable / 10% | 2V | Disable / 32 Minimum | Disable / 4 HR / 6 HR / 8 HR | 5% / 7.5% / 10% / 20% | No / Yes | Type 1 / Type 2 |
| 7.2V | 13V | Disable / 10% | 4V | Disable / 32 Minimum | Disable / 4 HR / 6 HR / 8 HR | 5% / 7.5% / 10% / 20% | No / Yes | Type 1 / Type 2 |

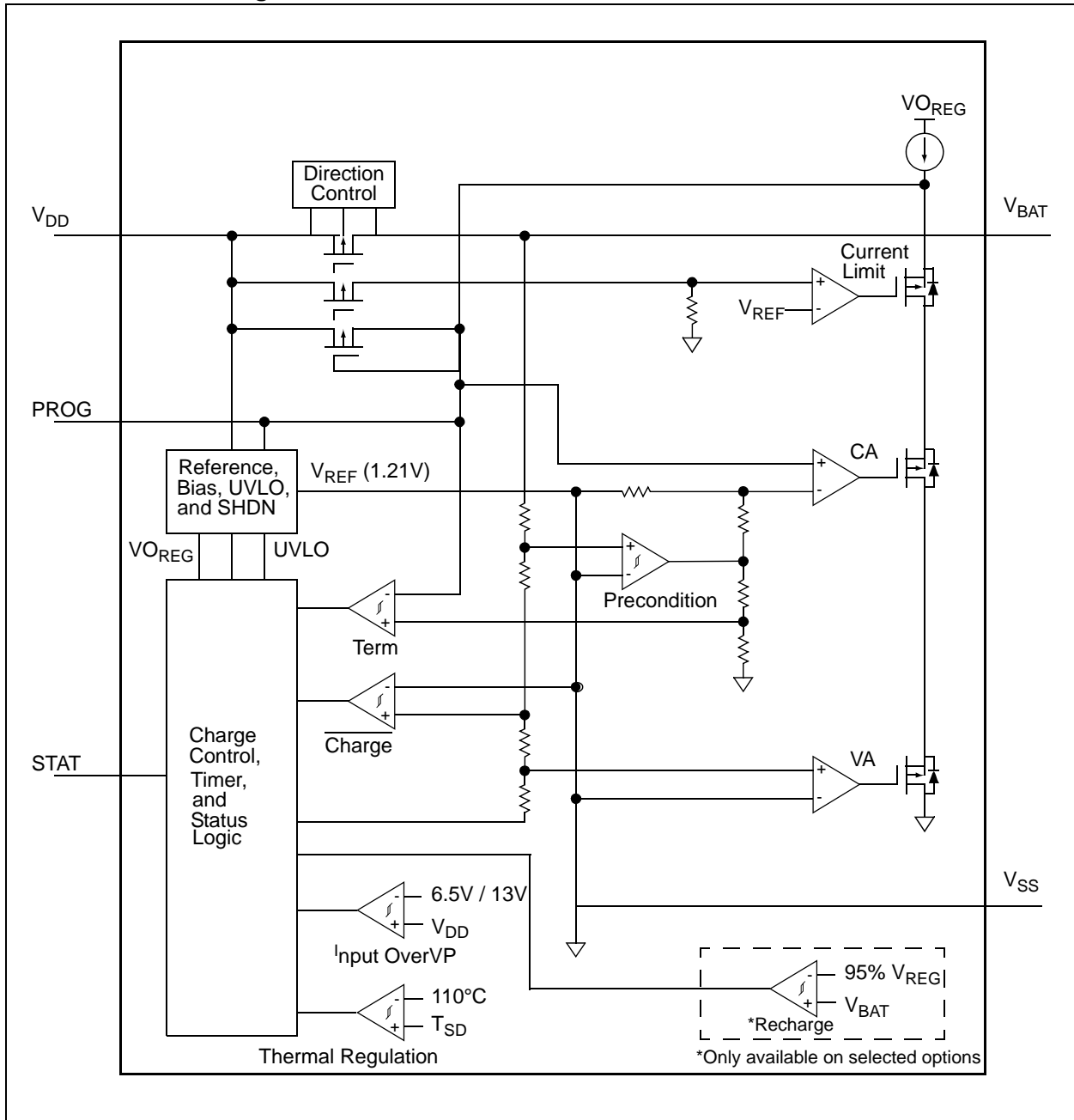
- Note 1:** I_{REG} : Regulated fast charge current.
Note 2: V_{REG} : Regulated charge voltage.
Note 3: I_{PREG}/I_{REG} : Preconditioning charge current; ratio of regulated fast charge current.
Note 4: I_{TERM}/I_{REG} : End-of-Charge control; ratio of regulated fast charge current.
Note 5: V_{RTH}/V_{REG} : Recharge threshold; ratio of regulated battery voltage.
Note 6: V_{PTH}/V_{REG} : Preconditioning threshold voltage

TABLE 2: STANDARD SAMPLE OPTIONS

| Part Number | V_{REG} | OVP | I_{PREG}/I_{REG} | Pre-charge Timer | Elapse Timer | I_{TERM}/I_{REG} | V_{RTH}/V_{REG} | V_{PTH}/V_{REG} | Output Status |
|-----------------|-----------|------|--------------------|------------------|--------------|--------------------|-------------------|-------------------|---------------|
| MCP73123-22S/MF | 3.6V | 6.5V | 10% | 32 Min. | 6 HR | 10% | 95% | 2V | Type 1 |
| MCP73223-C2S/MF | 7.2V | 6.5V | 10% | 32 Min. | 6 HR | 10% | 95% | 4V | Type 1 |

- Note 1:** Customers should contact their distributor, representatives or field application engineer (FAE) for support and sample. Local sales offices are also available to help customers. A listing of sales offices and locations is included in the back of this document. Technical support is available through the web site at: <http://support.microchip.com>

Functional Block Diagram



MCP73123/223

NOTES:

1.0 ELECTRICAL CHARACTERISTICS

Absolute Maximum Ratings†

| | |
|---|---------------------------|
| V_{DD} | 18.0V |
| V_{PROG} | 6.0V |
| All Inputs and Outputs w.r.t. V_{SS} | -0.3 to ($V_{DD}+0.3$)V |
| Maximum Junction Temperature, T_J | Internally Limited |
| Storage temperature | -65°C to +150°C |
| ESD protection on all pins | |
| Human Body Model (1.5 kW in Series with 100 pF) | ≥ 4 kV |
| Machine Model (200pF, No Series Resistance) | 300V |

† **Notice:** Stresses above those listed under “Maximum Ratings” may cause permanent damage to the device. This is a stress rating only and functional operation of the device at those or any other conditions above those indicated in the operational listings of this specification is not implied. Exposure to maximum rating conditions for extended periods may affect device reliability.

DC CHARACTERISTICS

| Electrical Specifications: Unless otherwise indicated, all limits apply for $V_{DD} = [V_{REG}(\text{Typical}) + 0.3V]$ to 12V, $T_A = -40^\circ\text{C}$ to $+85^\circ\text{C}$. Typical values are at $+25^\circ\text{C}$, $V_{DD} = [V_{REG}(\text{Typical}) + 1.0V]$ | | | | | | |
|---|--|-------|------|-------|---------------|---|
| Parameters | Sym | Min | Typ | Max | Units | Conditions |
| Supply Input | | | | | | |
| Input Voltage Range | V_{DD} | 4 | — | 16 | V | |
| Operating Supply Voltage | V_{DD} | 4.2 | — | 6.5 | V | MCP73123 |
| Operating Supply Voltage | V_{DD} | 4.2 | — | 13.0 | V | MCP73223 |
| Supply Current | I_{SS} | — | 4 | 5.5 | μA | Shutdown ($V_{DD} \leq V_{BAT} - 150\text{ mV}$) |
| | | — | 700 | 1500 | μA | Charging |
| | | — | 30 | 100 | μA | Standby (PROG Floating) |
| | | — | 50 | 150 | μA | Charge Complete; No Battery; $V_{DD} < V_{STOP}$ |
| Battery Discharge Current | | | | | | |
| Output Reverse Leakage Current | $I_{DISCHARGE}$ | — | 0.5 | 2 | μA | Standby (PROG Floating) |
| | | — | 0.5 | 2 | μA | Shutdown ($V_{DD} \leq V_{BAT}$ or $V_{DD} < V_{STOP}$) |
| | | — | 6 | 17 | μA | Charge Complete; V_{DD} is present |
| Undervoltage Lockout | | | | | | |
| UVLO Start Threshold | V_{START} | 4.10 | 4.15 | 4.25 | V | |
| UVLO Stop Threshold | V_{STOP} | 4.00 | 4.05 | 4.15 | V | |
| UVLO Hysteresis | V_{HYS} | — | 100 | — | mV | |
| Overvoltage Protection | | | | | | |
| OVP Start Threshold | V_{OVP} | 6.4 | 6.5 | 6.6 | V | MCP73123 |
| OVP Start Threshold | V_{OVP} | 12.8 | 13 | 13.2 | V | MCP73223 |
| OVP Hysteresis | V_{OVPHYS} | — | 150 | — | mV | |
| Voltage Regulation (Constant Voltage Mode) | | | | | | |
| Regulated Output Voltage | V_{REG} | 3.582 | 3.60 | 3.618 | V | $T_A = -5^\circ\text{C}$ to $+55^\circ\text{C}$, $I_{OUT} = 50\text{ mA}$ |
| Output Voltage Tolerance | V_{RTOL} | -0.5 | — | +0.5 | % | $T_A = -5^\circ\text{C}$ to $+55^\circ\text{C}$ |
| Regulated Output Voltage | V_{REG} | 7.157 | 7.20 | 7.243 | V | $T_A = -5^\circ\text{C}$ to $+55^\circ\text{C}$, $I_{OUT} = 50\text{ mA}$ |
| Output Voltage Tolerance | V_{RTOL} | -0.6 | — | +0.6 | % | $T_A = -5^\circ\text{C}$ to $+55^\circ\text{C}$ |
| Line Regulation | $[(\Delta V_{BAT} / V_{BAT}) / \Delta V_{DD}]$ | — | 0.05 | 0.20 | %/V | $V_{DD} = [V_{REG}(\text{Typical})+1V]$ to 6V - MCP73123 $V_{DD} = [V_{REG}(\text{Typical})+1V]$ to 12V - MCP73223 $I_{OUT} = 50\text{ mA}$ |
| Load Regulation | $ \Delta V_{BAT} / V_{BAT} $ | — | 0.05 | 0.20 | % | $I_{OUT} = 50\text{ mA} - 150\text{ mA}$ $V_{DD} = [V_{REG}(\text{Typical})+1V]$ |
| Supply Ripple Attenuation | PSRR | — | -46 | — | dB | $I_{OUT} = 20\text{ mA}$, 10 Hz to 1 kHz |
| | | — | -30 | — | dB | $I_{OUT} = 20\text{ mA}$, 10 Hz to 10 kHz |

Note 1: Not production tested. Ensured by design.

MCP73123/223

DC CHARACTERISTICS (CONTINUED)

| Electrical Specifications: Unless otherwise indicated, all limits apply for $V_{DD} = [V_{REG}(\text{Typical}) + 0.3V]$ to 12V, $T_A = -40^\circ\text{C}$ to $+85^\circ\text{C}$. Typical values are at $+25^\circ\text{C}$, $V_{DD} = [V_{REG}(\text{Typical}) + 1.0V]$ | | | | | | |
|---|----------------------|-------------------|--------------------|--------------------|------------------|---|
| Parameters | Sym | Min | Typ | Max | Units | Conditions |
| Battery Short Protection | | | | | | |
| BSP Start Threshold | V_{SHORT} | 1.40 | 1.45 | 1.50 | V | MCP73123 |
| BSP Start Threshold | V_{SHORT} | 2.80 | 2.90 | 3.00 | V | MCP73223 |
| BSP Hysteresis | V_{BSPHYS} | — | 150 | — | mV | |
| BSP Regulation Current | I_{SHORT} | — | 25 | — | mA | |
| Current Regulation (Fast Charge, Constant-Current Mode) | | | | | | |
| Fast Charge Current Regulation | I_{REG} | 130 | — | 1100 | mA | $T_A = -5^\circ\text{C}$ to $+55^\circ\text{C}$ |
| | | 117 | 130 | 143 | mA | PROG = 10 k Ω |
| | | 900 | 1000 | 1100 | mA | PROG = 1.1 k Ω |
| Preconditioning Current Regulation (Trickle Charge Constant Current Mode) | | | | | | |
| Precondition Current Ratio | I_{PREG} / I_{REG} | — | 10 | — | % | PROG = 1 k Ω to 10 k Ω $T_A = -5^\circ\text{C}$ to $+55^\circ\text{C}$ |
| | | — | 100 | — | % | No Preconditioning |
| Precondition Voltage Threshold Ratio | V_{PTH} | 1.9 | 2.0 | 2.1 | V | MCP73123, V_{BAT} Low-to-High |
| | V_{PTH} | 3.8 | 4.0 | 4.2 | V | MCP73223, V_{BAT} Low-to-High |
| Precondition Hysteresis | V_{PHYS} | — | 100 | — | mV | V_{BAT} High-to-Low (Note 1) |
| Charge Termination | | | | | | |
| Charge Termination Current Ratio | I_{TERM} / I_{REG} | 3.7 | 5 | 6.3 | % | PROG = 1 k Ω to 10 k Ω $T_A = -5^\circ\text{C}$ to $+55^\circ\text{C}$ |
| | | 5.6 | 7.5 | 9.4 | | |
| | | 7.5 | 10 | 12.5 | | |
| | | 15 | 20 | 25 | | |
| Automatic Recharge | | | | | | |
| Recharge Voltage Threshold Ratio | V_{RTH} / V_{REG} | 93 | 95 | 97 | % | V_{BAT} High-to-Low No Automatic Recharge |
| Pass Transistor ON-Resistance | | | | | | |
| ON-Resistance | R_{DSON} | — | 350 | — | m Ω | $V_{DD} = 4.5V$, $T_J = 105^\circ\text{C}$ (Note 1) |
| Status Indicator - STAT | | | | | | |
| Sink Current | I_{SINK} | — | 20 | 35 | mA | |
| Low Output Voltage | V_{OL} | — | 0.2 | 0.5 | V | $I_{SINK} = 4$ mA |
| Input Leakage Current | I_{LK} | — | 0.001 | 1 | μA | High Impedance, V_{DD} on pin |
| PROG Input | | | | | | |
| Charge Impedance Range | R_{PROG} | 1 | — | 21 | k Ω | |
| Shutdown Impedance | R_{PROG} | — | 200 | — | k Ω | Impedance for Shutdown |
| PROG Voltage Range | V_{PROG} | 0 | — | 5 | V | |
| Automatic Power Down | | | | | | |
| Automatic Power Down Entry Threshold | V_{PENTRY} | $V_{BAT} + 10$ mV | $V_{BAT} + 50$ mV | — | V | V_{DD} Falling |
| Automatic Power Down Exit Threshold | V_{PDEXIT} | — | $V_{BAT} + 150$ mV | $V_{BAT} + 250$ mV | V | V_{DD} Rising |
| Thermal Shutdown | | | | | | |
| Die Temperature | T_{SD} | — | 150 | — | $^\circ\text{C}$ | |
| Die Temperature Hysteresis | T_{SDHYS} | — | 10 | — | $^\circ\text{C}$ | |

Note 1: Not production tested. Ensured by design.

AC CHARACTERISTICS

Electrical Specifications: Unless otherwise specified, all limits apply for $V_{DD} = [V_{REG}(\text{Typical}) + 0.3V]$ to 6V, $T_A = -40^\circ\text{C}$ to $+85^\circ\text{C}$. Typical values are at $+25^\circ\text{C}$, $V_{DD} = [V_{REG}(\text{Typical}) + 1.0V]$

| Parameters | Sym | Min | Typ | Max | Units | Conditions |
|------------------------------|---------------|-----|-----|-----|---------------|---|
| Elapsed Timer | | | | | | |
| Elapsed Timer Period | $t_{ELAPSED}$ | — | 0 | — | Hours | Timer Disabled |
| | | 3.6 | 4.0 | 4.4 | Hours | |
| | | 5.4 | 6.0 | 6.6 | Hours | |
| | | 7.2 | 8.0 | 8.8 | Hours | |
| Preconditioning Timer | | | | | | |
| Preconditioning Timer Period | t_{PRECHG} | — | 0 | — | Hours | Disabled Timer |
| | | 0.4 | 0.5 | 0.6 | Hours | |
| Status Indicator | | | | | | |
| Status Output turn-off | t_{OFF} | — | — | 500 | μs | $I_{SINK} = 1 \text{ mA to } 0 \text{ mA}$ (Note 1) |
| Status Output turn-on, | t_{ON} | — | — | 500 | | $I_{SINK} = 0 \text{ mA to } 1 \text{ mA}$ (Note 1) |

Note 1: Not production tested. Ensured by design.

TEMPERATURE SPECIFICATIONS

Electrical Specifications: Unless otherwise indicated, all limits apply for $V_{DD} = [V_{REG}(\text{Typical}) + 0.3V]$ to 6V. Typical values are at $+25^\circ\text{C}$, $V_{DD} = [V_{REG}(\text{Typical}) + 1.0V]$

| Parameters | Sym | Min | Typ | Max | Units | Conditions |
|------------------------------------|---------------|-----|-----|------|--------------------|--|
| Temperature Ranges | | | | | | |
| Specified Temperature Range | T_A | -40 | — | +85 | $^\circ\text{C}$ | |
| Operating Temperature Range | T_J | -40 | — | +125 | $^\circ\text{C}$ | |
| Storage Temperature Range | T_A | -65 | — | +150 | $^\circ\text{C}$ | |
| Thermal Package Resistances | | | | | | |
| Thermal Resistance, DFN-10 (3x3) | θ_{JA} | — | 43 | — | $^\circ\text{C/W}$ | 4-Layer JC51-7 Standard Board, Natural Convection |

MCP73123/223

NOTES:

2.0 TYPICAL PERFORMANCE CURVES

Note: The graphs and tables provided following this note are a statistical summary based on a limited number of samples and are provided for informational purposes only. The performance characteristics listed herein are not tested or guaranteed. In some graphs or tables, the data presented may be outside the specified operating range (e.g., outside specified power supply range) and therefore outside the warranted range.

Note: Unless otherwise indicated, $V_{DD} = [V_{REG}(Typical) + 1V]$, $I_{OUT} = 50\text{ mA}$ and $T_A = +25^\circ\text{C}$, Constant-voltage mode.

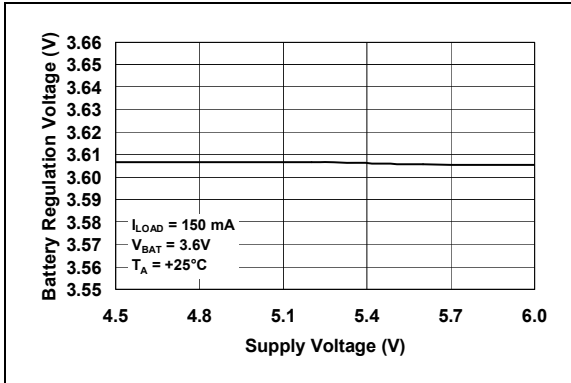


FIGURE 2-1: Battery Regulation Voltage (V_{BAT}) vs. Supply Voltage (V_{DD}).

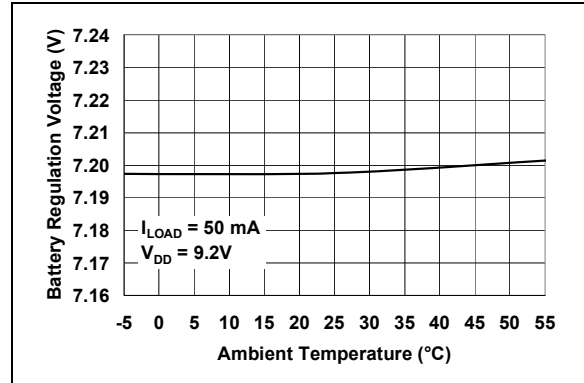


FIGURE 2-4: Battery Regulation Voltage (V_{BAT}) vs. Ambient Temperature (T_A).

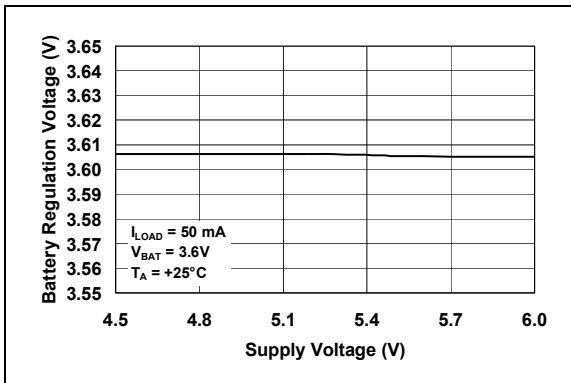


FIGURE 2-2: Battery Regulation Voltage (V_{BAT}) vs. Supply Voltage (V_{DD}).

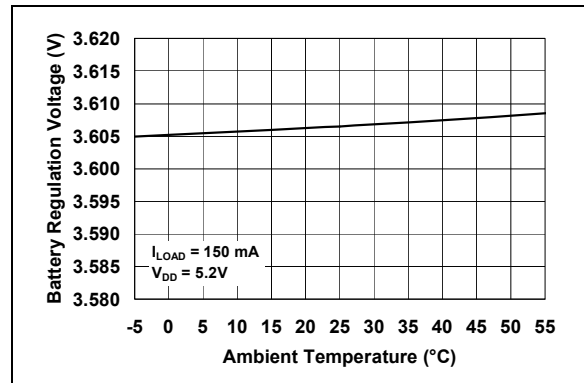


FIGURE 2-5: Battery Regulation Voltage (V_{BAT}) vs. Ambient Temperature (T_A).

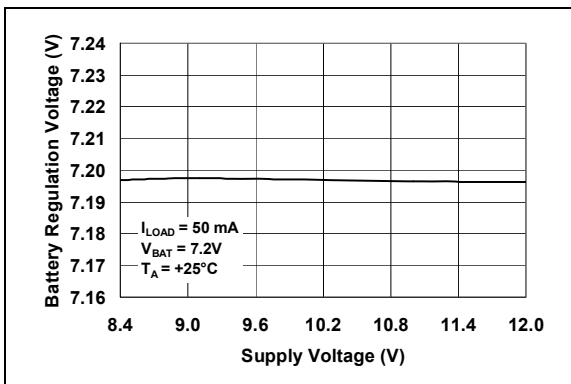


FIGURE 2-3: Battery Regulation Voltage (V_{BAT}) vs. Supply Voltage (V_{DD}).

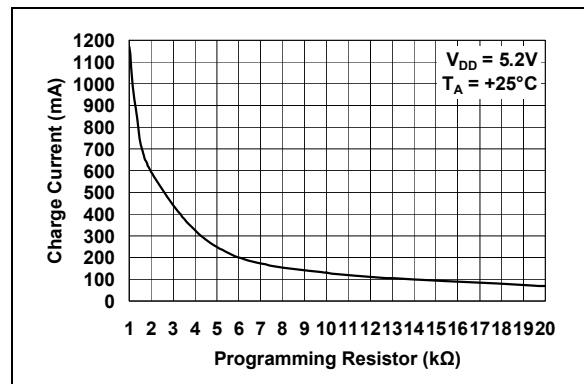


FIGURE 2-6: Charge Current (I_{OUT}) vs. Programming Resistor (R_{PROG}).

MCP73123/223

TYPICAL PERFORMANCE CURVES (CONTINUED)

Note: Unless otherwise indicated, $V_{DD} = [V_{REG}(Typical) + 1V]$, $I_{OUT} = 10\text{ mA}$ and $T_A = +25^\circ\text{C}$, Constant-voltage mode.

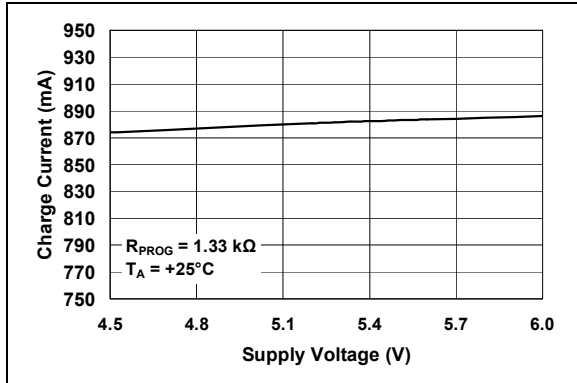


FIGURE 2-7: Charge Current (I_{OUT}) vs. Programming Resistor (R_{PROG}).

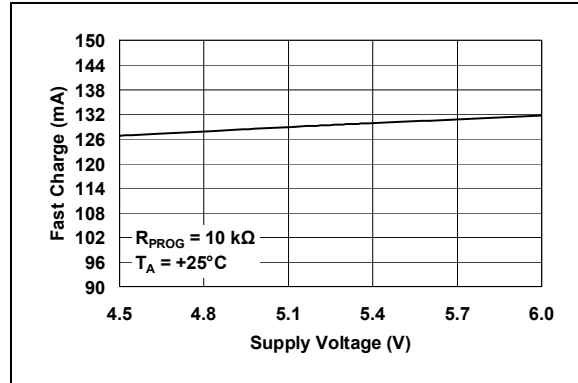


FIGURE 2-10: Charge Current (I_{OUT}) vs. Programming Resistor (R_{PROG}).

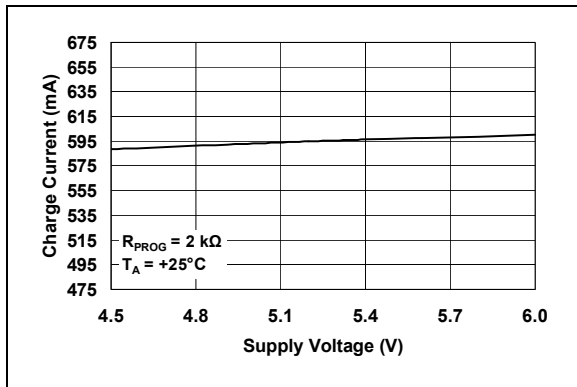


FIGURE 2-8: Charge Current (I_{OUT}) vs. Programming Resistor (R_{PROG}).

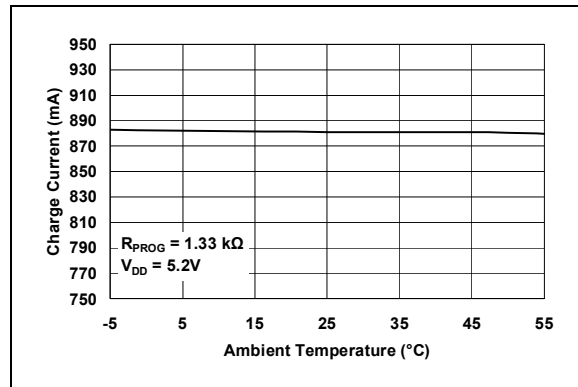


FIGURE 2-11: Charge Current (I_{OUT}) vs. Ambient Temperature (T_A).

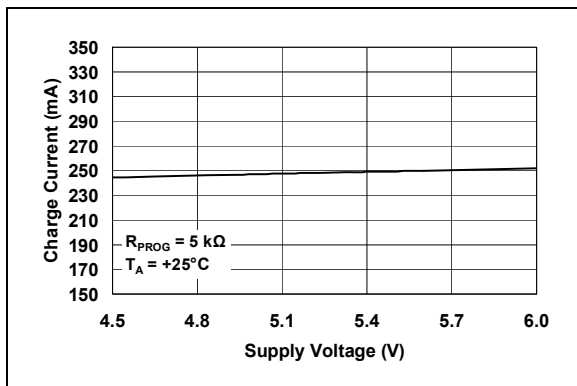


FIGURE 2-9: Charge Current (I_{OUT}) vs. Programming Resistor (R_{PROG}).

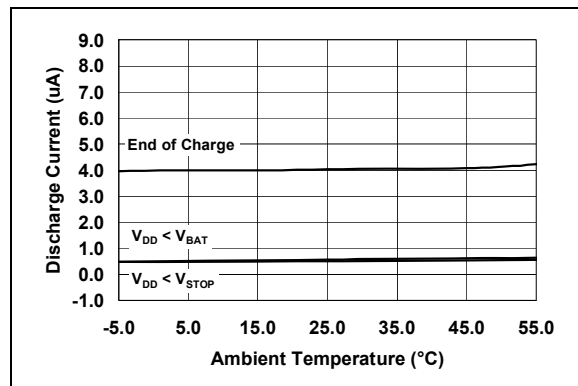


FIGURE 2-12: Output Leakage Current ($I_{DISCHARGE}$) vs. Ambient Temperature (T_A).

TYPICAL PERFORMANCE CURVES (CONTINUED)

Note: Unless otherwise indicated, $V_{DD} = [V_{REG}(Typical) + 1V]$, $I_{OUT} = 10\text{ mA}$ and $T_A = +25^\circ\text{C}$, Constant-voltage mode.

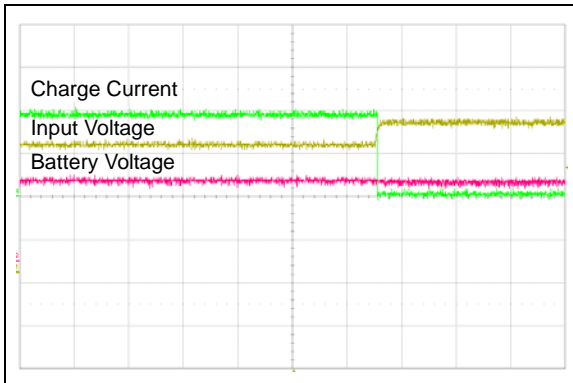


FIGURE 2-13: Overvoltage Protection Start (50 ms/Div).

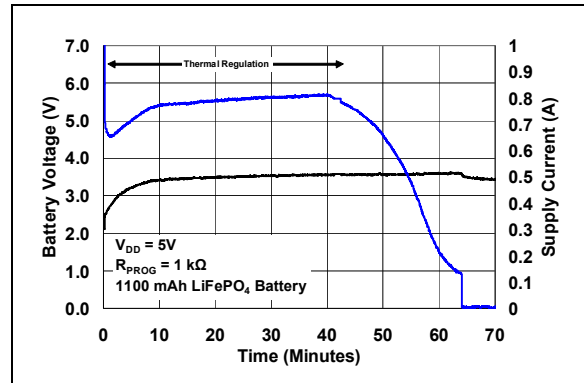


FIGURE 2-16: Complete Charge Cycle (1100 mAh LiFePO₄ Battery).

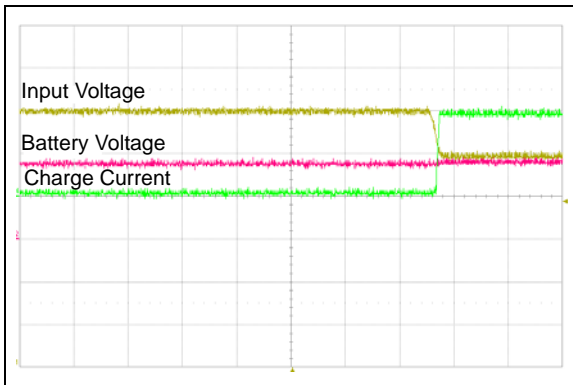


FIGURE 2-14: Overvoltage Protection Stop (50 ms/Div).

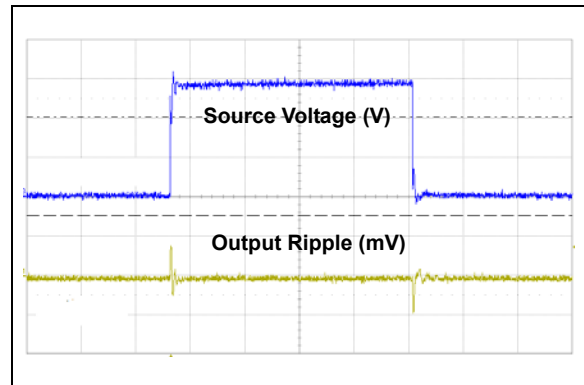


FIGURE 2-17: Line Transient Response ($I_{LOAD} = 10\text{ mA}$, Source Voltage: 2V/Div, Output Ripple: 100 mV/Div, Time: 100 μs /Div).

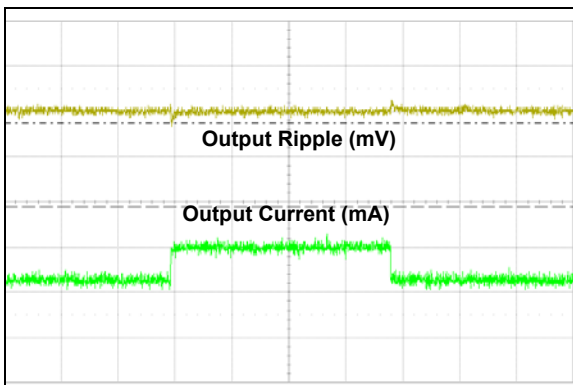


FIGURE 2-15: Load Transient Response ($I_{LOAD} = 50\text{ mA}$, Output Ripple: 100 mV/Div, Output Current: 50 mA/Div, Time: 100 μs /Div).

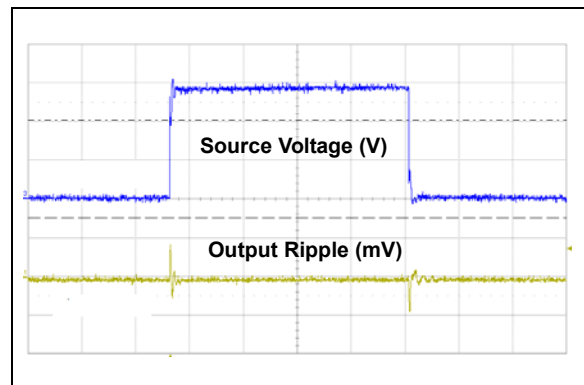


FIGURE 2-18: Line Transient Response ($I_{LOAD} = 100\text{ mA}$, Source Voltage: 2V/Div, Output Ripple: 100 mV/Div, Time: 100 μs /Div).

MCP73123/223

NOTES:

3.0 PIN DESCRIPTION

The descriptions of the pins are listed in [Table 3-1](#).

TABLE 3-1: PIN FUNCTION TABLES

| MCP73123/223 | Symbol | I/O | Description |
|--------------|------------------|-----|---|
| DFN-10 | | | |
| 1, 2 | V _{DD} | I | Battery Management Input Supply |
| 3, 4 | V _{BAT} | I/O | Battery Charge Control Output |
| 5, 6 | NC | - | No Connection |
| 7 | STAT | O | Battery Charge Status Output |
| 8, 9 | V _{SS} | - | Battery Management 0V Reference |
| 10 | PROG | I/O | Battery Charge Current Regulation Program and Charge Control Enable |
| 11 | EP | — | Exposed Pad |

3.1 Battery Management Input Supply (V_{DD})

A supply voltage of [V_{REG} (Typical) + 0.3V] to 6.0V is recommended for MCP73123, while a supply voltage of [V_{REG} (Typical) + 0.3V] to 12.0V is recommended for MCP73223. Bypass to V_{SS} with a minimum of 1 μ F. The V_{DD} pin is rated 18V absolute maximum to prevent suddenly rise of input voltage from spikes or low cost ac-dc wall adapter.

3.2 Battery Charge Control Output (V_{BAT})

Connect to the positive terminal of the battery. Bypass to V_{SS} with a minimum of 1 μ F to ensure loop stability when the battery is disconnected. The MCP73123 is designed to provide 3.6V battery regulation voltage for LiFePO₄ batteries. Undercharge may occur if a typical Li-Ion or Li-Poly battery is used.

3.3 No Connect (NC)

No connect.

3.4 Status Output (STAT)

STAT is an open-drain logic output for connection to an LED for charge status indication in standalone applications. Alternatively, a pull-up resistor can be applied for interfacing to a host microcontroller. Refer to [Table 5-1](#) for a summary of the status output during a charge cycle.

3.5 Battery Management 0V Reference (V_{SS})

Connect to the negative terminal of the battery and input supply.

3.6 Current Regulation Set (PROG)

The fast charge current is set by placing a resistor from PROG to V_{SS} during constant current (CC) mode.

PROG pin also serves as charge control enable. When a typical 200 k Ω impedance is applied to PROG pin, the MCP73123/223 is disabled until the high impedance is removed. Refer to [Section 5.5](#) “Constant Current MODE - Fast Charge” for details.

3.7 Exposed Pad (EP)

The Exposed Thermal Pad (EP) shall be connected to the exposed copper area on the Printed Circuit Board (PCB) for the thermal enhancement. Additional vias on the copper area under the MCP73123/223 device can improve the performance of heat dissipation and simplify the assembly process.

MCP73123/223

NOTES:

4.0 DEVICE OVERVIEW

The MCP73123/223 are simple, but fully integrated linear charge management controllers. Figure 4-1 depicts the operational flow algorithm.

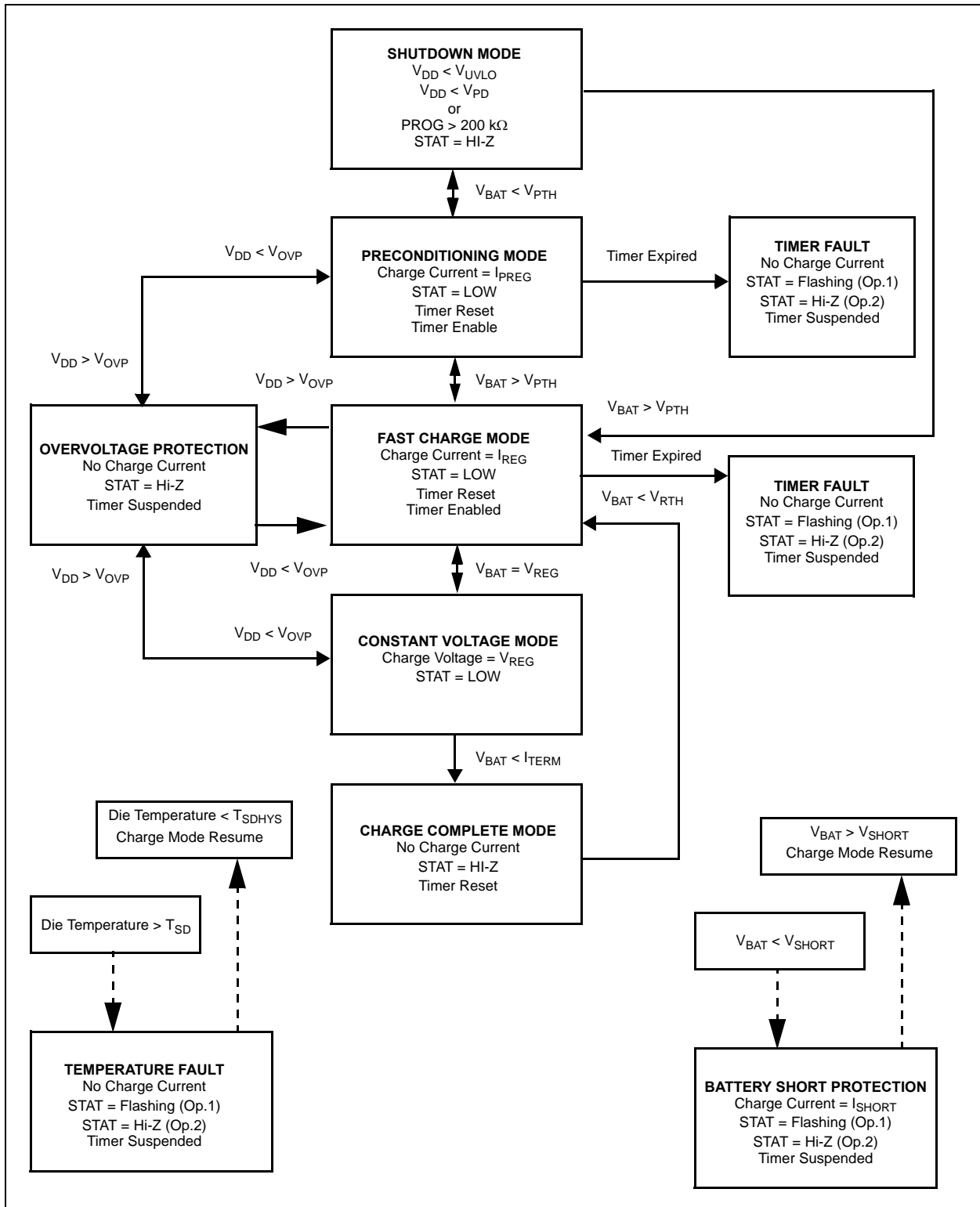


FIGURE 4-1: The MCP73123/223 Flow Chart.

MCP73123/223

NOTES:

5.0 DETAILED DESCRIPTION

5.1 Undervoltage Lockout (UVLO)

An internal undervoltage lockout (UVLO) circuit monitors the input voltage and keeps the charger in shutdown mode until the input supply rises above the UVLO threshold. In the event a battery is present when the input power is applied, the input supply must rise approximately 150 mV above the battery voltage before the MCP73123/223 device become operational.

The UVLO circuit places the device in shutdown mode if the input supply falls to approximately 150 mV above the battery voltage. The UVLO circuit is always active. At any time, the input supply is below the UVLO threshold or approximately 150 mV of the voltage at the V_{BAT} pin, the MCP73123/223 device is placed in a shutdown mode.

5.2 Overvoltage Protection (OVP)

An internal overvoltage protection (OVP) circuit monitors the input voltage and keeps the charger in shutdown mode when the input supply rises above the OVP threshold. The hysteresis of OVP is approximately 150 mV for the MCP73123/223 device.

The MCP73123/223 device is operational between UVLO and OVP threshold. The OVP circuit is also recognized as overvoltage lock out (OVLO).

5.3 Charge Qualification

When the input power is applied, the input supply must rise 150 mV above the battery voltage before the MCP73123/223 becomes operational.

The automatic power down circuit places the device in a shutdown mode if the input supply falls to within +50 mV of the battery voltage.

The automatic circuit is always active. At any time the input supply is within +50 mV of the voltage at the V_{BAT} pin, the MCP73123/223 is placed in a shutdown mode.

For a charge cycle to begin, the automatic power down conditions must be met and the charge enable input must be above the input high threshold.

Note: In order to extend the battery cycle life, the charge will initiate only when battery voltage is below 3.4V per cell.

5.3.1 BATTERY MANAGEMENT INPUT SUPPLY (V_{DD})

The V_{DD} input is the input supply to the MCP73123/223. The MCP73123/223 automatically enters a Power-down mode if the voltage on the V_{DD} input falls to within +50 mV of the battery voltage. This feature prevents draining the battery pack when the V_{DD} supply is not present.

5.3.2 BATTERY CHARGE CONTROL OUTPUT (V_{BAT})

The battery charge control output is the drain terminal of an internal P-channel MOSFET. The MCP73123/223 provides constant current and voltage regulation to the battery pack by controlling this MOSFET in the linear region. The battery charge control output should be connected to the positive terminal of the battery pack.

5.3.3 BATTERY DETECTION

The MCP73123/223 detects the battery presence with charging of the output capacitor. The charge flow will initiate when the voltage on V_{BAT} is pulled below the $V_{RECHARGE}$ threshold. Refer to **Section 1.0 “Electrical Characteristics”** for $V_{RECHARGE}$ values. The value will be the same for non-rechargeable device.

When $V_{BAT} > V_{REG} + \text{Hysteresis}$, the charge will be suspended or not start, depends on the condition to prevent over charge that may occur.

5.4 Preconditioning

If the voltage at the V_{BAT} pin is less than the preconditioning threshold, the MCP73123/223 device enters a preconditioning mode. The preconditioning threshold is factory set. Refer to **Section 1.0 “Electrical Characteristics”** for preconditioning threshold options.

In this mode, the MCP73123/223 device supplies 10% of the fast charge current (established with the value of the resistor connected to the PROG pin) to the battery.

When the voltage at the V_{BAT} pin rises above the preconditioning threshold, the MCP73123/223 device enters the constant current (fast charge) mode.

Note: The MCP73123/223 also offer options with no preconditioning.

5.4.1 TIMER EXPIRED DURING PRECONDITIONING MODE

If the internal timer expires before the voltage threshold is reached for fast charge mode, a timer fault is indicated and the charge cycle terminates. The MCP73123/223 device remains in this condition until the battery is removed or input power is cycled. If the battery is removed, the MCP73123/223 device enters the Stand-by mode where it remains until a battery is reinserted.

Note: The typical preconditioning timer for MCP73123/223 is 32 minutes. The MCP73123/223 also offer options with no preconditioning timer.

MCP73123/223

5.5 Constant Current MODE - Fast Charge

During the constant current mode, the programmed charge current is supplied to the battery or load.

The charge current is established using a single resistor from PROG to V_{SS}. The program resistor and the charge current are calculated using the following equation:

EQUATION 5-1:

$$I_{REG} = 1104 \times R^{-0.93}$$

Where:

R_{PROG} = kilo-ohms (kΩ)
 I_{REG} = milliampere (mA)

EQUATION 5-2:

$$R_{PROG} = 10^{(\log 1104) / (-0.93)}$$

Where:

R_{PROG} = kilo-ohms (kΩ)
 I_{REG} = milliampere (mA)

Table 5-1 provides commonly seen E96 (1%) and E24 (5%) resistors for various charge current to reduce design time.

TABLE 5-1: RESISTOR LOOKUP TABLE

| Charge Current (mA) | Recommended E96 Resistor (Ω) | Recommended E24 Resistor (Ω) |
|---------------------|------------------------------|------------------------------|
| 130 | 10k | 10k |
| 150 | 8.45k | 8.20k |
| 200 | 6.20k | 6.20k |
| 250 | 4.99k | 5.10k |
| 300 | 4.02k | 3.90k |
| 350 | 3.40k | 3.30k |
| 400 | 3.00k | 3.00k |
| 450 | 2.61k | 2.70k |
| 500 | 2.32k | 2.37k |
| 550 | 2.10k | 2.20k |
| 600 | 1.91k | 2.00k |
| 650 | 1.78k | 1.80k |
| 700 | 1.62k | 1.60k |
| 750 | 1.50k | 1.50k |
| 800 | 1.40k | 1.50k |
| 850 | 1.33k | 1.30k |
| 900 | 1.24k | 1.20k |
| 950 | 1.18k | 1.20k |
| 1000 | 1.10k | 1.10k |
| 1100 | 1.00k | 1.00k |

Constant current mode is maintained until the voltage at the V_{BAT} pin reaches the regulation voltage, V_{REG}. When constant current mode is invoked, the internal timer is reset.

5.5.1 TIMER EXPIRED DURING CONSTANT CURRENT - FAST CHARGE MODE

If the internal timer expires before the recharge voltage threshold is reached, a timer fault is indicated and the charge cycle terminates. The MCP73123/223 device remains in this condition until the battery is removed. If the battery is removed or input power is cycled. The MCP73123/223 device enters the Stand-by mode where it remains until a battery is reinserted.

5.6 Constant Voltage Mode

When the voltage at the V_{BAT} pin reaches the regulation voltage, V_{REG}, constant voltage regulation begins. The regulation voltage is factory set to 3.6V for single cell or 7.2V for dual cell with a tolerance of ± 0.5%.

5.7 Charge Termination

The charge cycle is terminated when, during constant voltage mode, the average charge current diminishes below a threshold established with the value of 5%, 7.5%, 10% or 20% of fast charge current or internal timer has expired. A 1 ms filter time on the termination comparator ensures that transient load conditions do not result in premature charge cycle termination. The timer period is factory set and can be disabled. Refer to Section 1.0 “Electrical Characteristics” for timer period options.

5.8 Automatic Recharge

The MCP73123/223 device continuously monitors the voltage at the V_{BAT} pin in the charge complete mode. If the voltage drops below the recharge threshold, another charge cycle begins and current is once again supplied to the battery or load. The recharge threshold is factory set. Refer to Section 1.0 “Electrical Characteristics” for recharge threshold options.

Note: The MCP73123/223 also offer options with no automatic recharge.

For the MCP73123/223 device with no recharge option, the MCP73123/223 will go into standby mode when termination condition is met. The charge will not restart until following condition has met:

- Battery is removed from system and insert again.
- V_{DD} is removed and plug in again
- R_{PROG} is disconnected (or high impedance) and reconnect

5.9 Thermal Regulation

The MCP73123/223 shall limit the charge current based on the die temperature. The thermal regulation optimizes the charge cycle time while maintaining device reliability. Figure 5-1 depicts the thermal regulation for the MCP73123/223 device. Refer to Section 1.0 “Electrical Characteristics” for thermal package resistances and Section 6.1.1.2 “Thermal Considerations” for calculating power dissipation.

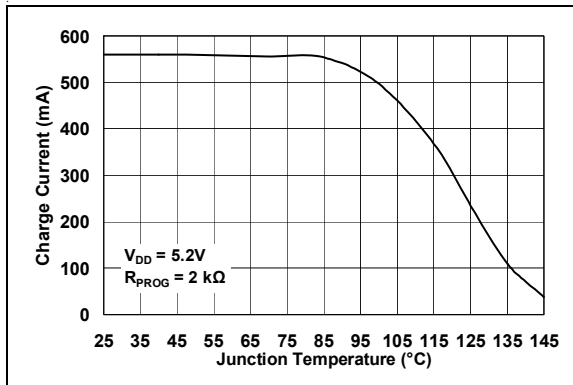


FIGURE 5-1: Thermal Regulation

5.10 Thermal Shutdown

The MCP73123/223 suspends charge if the die temperature exceeds +150°C. Charging will resume when the die temperature has cooled by approximately 10°C. The thermal shutdown is a secondary safety feature in the event that there is a failure within the thermal regulation circuitry.

5.11 Status Indicator

The charge status outputs are open-drain outputs with two different states: Low (L), and High Impedance (Hi-Z). The charge status outputs can be used to illuminate LEDs. Optionally, the charge status outputs can be used as an interface to a host microcontroller. Table 5-2 summarize the state of the status outputs during a charge cycle.

TABLE 5-2: STATUS OUTPUTS

| CHARGE CYCLE STATE | STAT |
|------------------------------|--|
| Shutdown | Hi-Z |
| Standby | Hi-Z |
| Preconditioning | L |
| Constant Current Fast Charge | L |
| Constant Voltage | L |
| Charge Complete - Standby | Hi-Z |
| Temperature Fault | 1.6 second 50% D.C. Flashing (Type 2) Hi-Z (Type 1) |
| Timer Fault | 1.6 second 50% D.C. Flashing (Type 2) Hi-Z (Type 1) |
| Preconditioning Timer Fault | 1.6 second 50% D.C. Flashing (Type 2) Hi-Z (Type 1) |

5.12 BATTERY SHORT PROTECTION

Once a lithium iron phosphate battery is detected, an internal battery short protection (BSP) circuit starts monitoring the battery voltage. When V_{BAT} falls below a typical 1.7V battery short protection threshold voltage per cell, the charging behavior is postponed. 25 mA (typical) detection current is supplied for recovering from battery short condition.

Preconditioning mode resumes when V_{BAT} raises above battery short protection threshold. The battery voltage must rise approximately 150 mV above the battery short protection voltage before the MCP73123/223 device become operational.

MCP73123/223

NOTES:

6.0 APPLICATIONS

The MCP73123/223 is designed to operate in conjunction with a host microcontroller or in stand-alone applications. The MCP73123/223 provides the preferred charge algorithm for lithium iron phosphate cells Constant-current followed by Constant-voltage. [Figure 6-1](#) depicts a typical stand-alone application circuit, while [Figure 6-2](#) depict the accompanying charge profile.

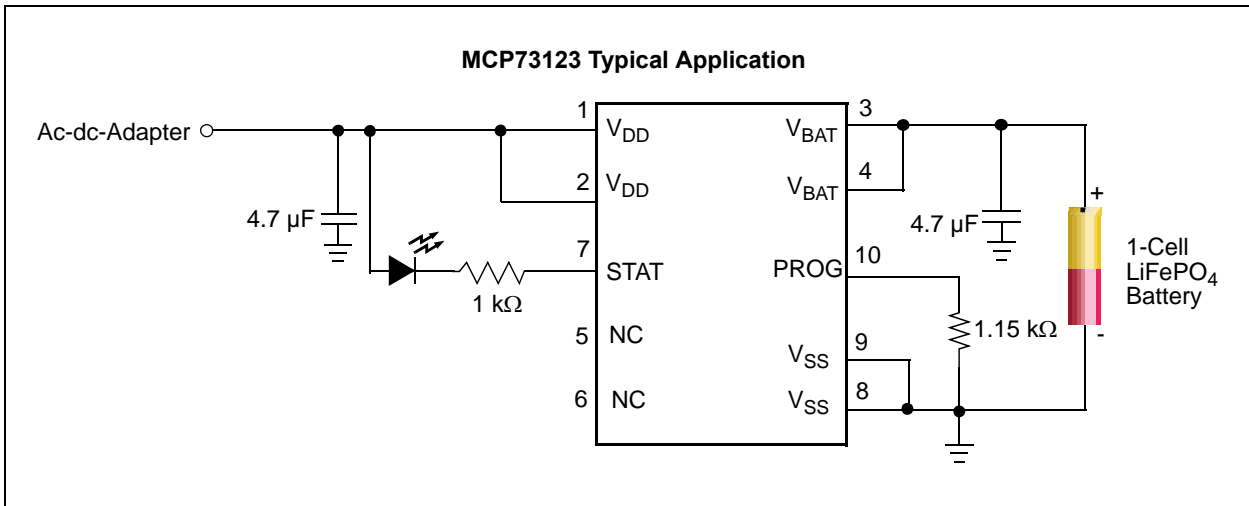


FIGURE 6-1: Typical Application Circuit.

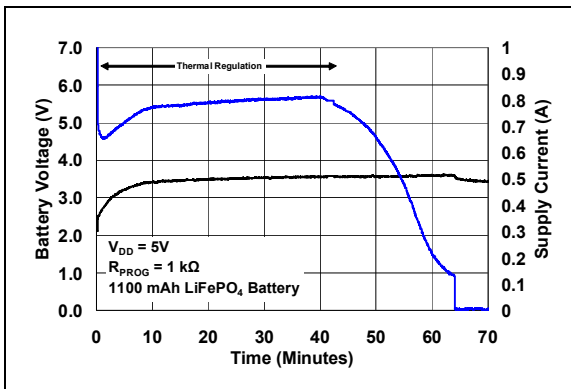


FIGURE 6-2: Typical Charge Profile for Single-Cell LiFePO_4 Battery).

MCP73123/223

6.1 Application Circuit Design

Due to the low efficiency of linear charging, the most important factors are thermal design and cost, which are a direct function of the input voltage, output current and thermal impedance between the battery charger and the ambient cooling air. The worst-case situation is when the device has transitioned from the preconditioning mode to the constant-current mode. In this situation, the battery charger has to dissipate the maximum power. A trade-off must be made between the charge current, cost and thermal requirements of the charger.

6.1.1 COMPONENT SELECTION

Selection of the external components in [Figure 6-1](#) is crucial to the integrity and reliability of the charging system. The following discussion is intended as a guide for the component selection process.

6.1.1.1 Charge Current

The recommended fast charge current should be obtained from battery manufacturer. For example, a 1000 mAh battery pack with 2C preferred fast charge current has a charge current of 1000 mA. Charging at this rate provides the shortest charge cycle times without degradation to the battery pack performance or life.

Note: Please consult with your battery supplier or refer to battery data sheet for preferred charge rate.

6.1.1.2 Thermal Considerations

The worst-case power dissipation in the battery charger occurs when the input voltage is at the maximum and the device has transitioned from the Preconditioning mode to the Constant-current mode. In this case, the power dissipation is:

EQUATION 6-1:

$$PowerDissipation = (V_{DDMAX} - V_{PTHMIN}) \times I_{REGMAX}$$

Where:

V_{DDMAX} = the maximum input voltage
 I_{REGMAX} = the maximum fast charge current
 V_{PTHMIN} = the minimum transition threshold voltage

Power dissipation with a 5V, $\pm 10\%$ input voltage source, 500 mA $\pm 10\%$ and preconditioning threshold voltage at 2V is:

EQUATION 6-2:

$$PowerDissipation = (5.5V - 2V) \times 550mA = 1.925W$$

This power dissipation with the battery charger in the DFN-10 package will result approximately 83°C above room temperature.

6.1.1.3 External Capacitors

The MCP73123/223 is stable with or without a battery load. In order to maintain good AC stability in the Constant-voltage mode, a minimum capacitance of 1 μ F is recommended to bypass the V_{BAT} pin to V_{SS} . This capacitance provides compensation when there is no battery load. In addition, the battery and interconnections appear inductive at high frequencies. These elements are in the control feedback loop during Constant-voltage mode. Therefore, the bypass capacitance may be necessary to compensate for the inductive nature of the battery pack.

A minimum of 16V rated 1 μ F, is recommended to apply for output capacitor and a minimum of 25V rated 1 μ F, is recommended to apply for input capacitor for typical applications.

TABLE 6-1: MLCC CAPACITOR EXAMPLE

| MLCC Capacitors | Temperature Range | Tolerance |
|-----------------|-------------------|------------|
| X7R | -55°C to +125°C | $\pm 15\%$ |
| X5R | -55°C to +85°C | $\pm 15\%$ |

Virtually any good quality output filter capacitor can be used, independent of the capacitor's minimum Effective Series Resistance (ESR) value. The actual value of the capacitor (and its associated ESR) depends on the output load current. A 1 μ F ceramic, tantalum or aluminum electrolytic capacitor at the output is usually sufficient to ensure stability.

6.1.1.4 Reverse-Blocking Protection

The MCP73123/223 provides protection from a faulted or shorted input. Without the protection, a faulted or shorted input would discharge the battery pack through the body diode of the internal pass transistor.

6.2 PCB Layout Issues

For optimum voltage regulation, place the battery pack as close as possible to the device's V_{BAT} and V_{SS} pins, recommended to minimize voltage drops along the high current-carrying PCB traces.

If the PCB layout is used as a heatsink, adding many vias in the heatsink pad can help conduct more heat to the backplane of the PCB, thus reducing the maximum junction temperature. Figure 6-4 and Figure 6-5 depict a typical layout with PCB heatsinking.

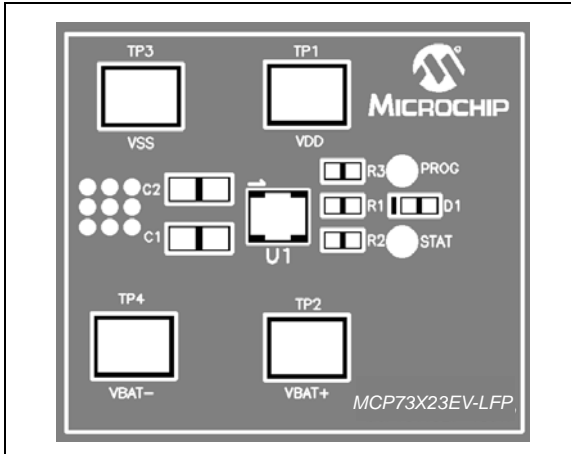


FIGURE 6-3: Typical Layout (Top).

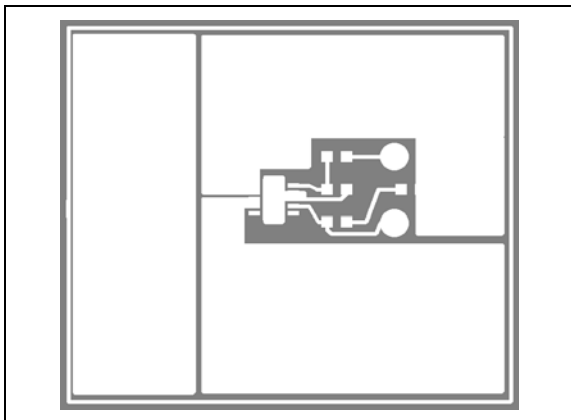


FIGURE 6-4: Typical Layout (Top Metal).

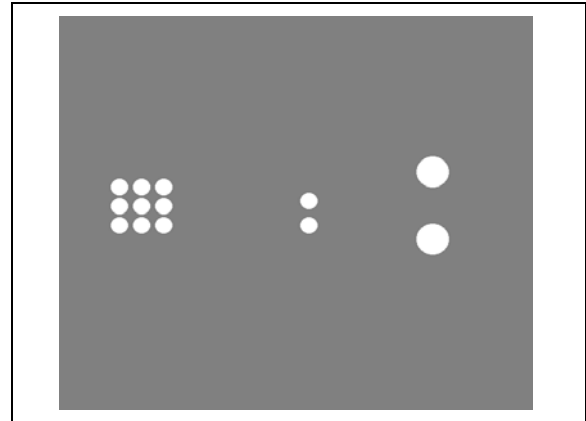


FIGURE 6-5: Typical Layout (Bottom).

MCP73123/223

NOTES:

7.0 PACKAGING INFORMATION

7.1 Package Marking Information

10-Lead DFN (3x3)

| |
|------|
| XXXX |
| YYWW |
| NNN |

| Standard * | |
|------------------|------|
| Part Number | Code |
| MCP73123-22SI/MF | 77HI |
| MCP73223-C2SI/MF | X7HI |

Example:

| |
|------|
| 77HI |
| 0923 |
| 256 |

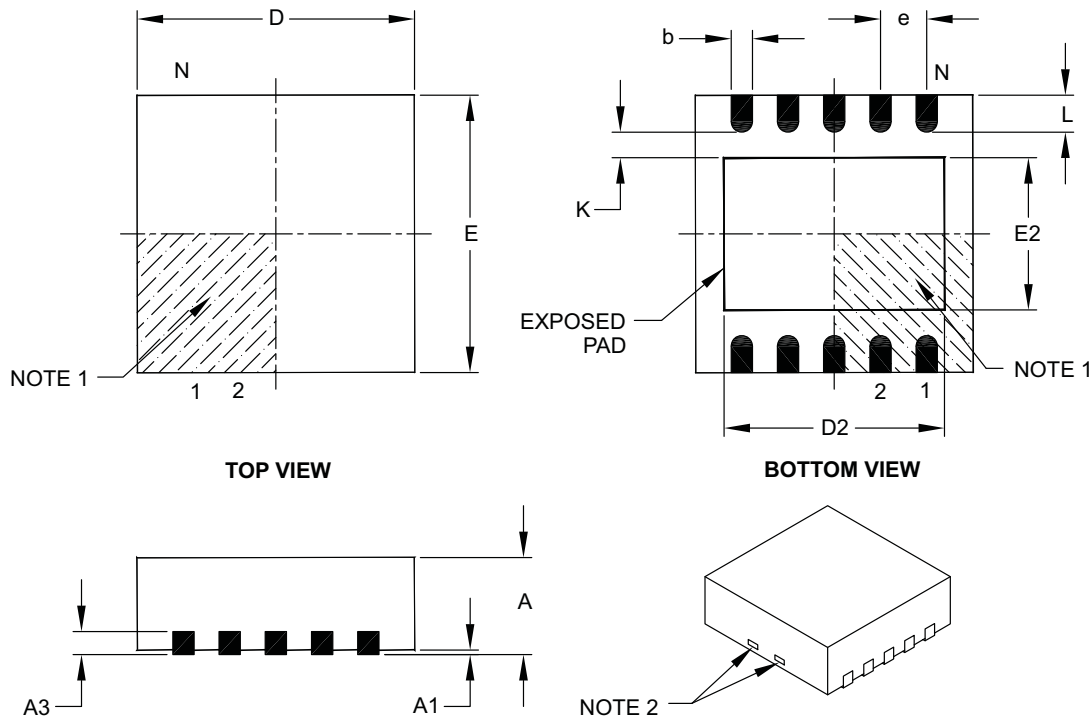
Legend: XX...X Customer-specific information
Y Year code (last digit of calendar year)
YY Year code (last 2 digits of calendar year)
WW Week code (week of January 1 is week '01')
NNN Alphanumeric traceability code
Ⓔ3 Pb-free JEDEC designator for Matte Tin (Sn)
* This package is Pb-free. The Pb-free JEDEC designator (Ⓔ3) can be found on the outer packaging for this package.

Note: In the event the full Microchip part number cannot be marked on one line, it will be carried over to the next line, thus limiting the number of available characters for customer-specific information.

MCP73123/223

10-Lead Plastic Dual Flat, No Lead Package (MF) – 3x3x0.9 mm Body [DFN]

Note: For the most current package drawings, please see the Microchip Packaging Specification located at <http://www.microchip.com/packageing>



| Dimension Limits | Units | MILLIMETERS | | |
|------------------------|-------|-------------|------|------|
| | | MIN | NOM | MAX |
| Number of Pins | N | 10 | | |
| Pitch | e | 0.50 BSC | | |
| Overall Height | A | 0.80 | 0.90 | 1.00 |
| Standoff | A1 | 0.00 | 0.02 | 0.05 |
| Contact Thickness | A3 | 0.20 REF | | |
| Overall Length | D | 3.00 BSC | | |
| Exposed Pad Length | D2 | 2.20 | 2.35 | 2.48 |
| Overall Width | E | 3.00 BSC | | |
| Exposed Pad Width | E2 | 1.40 | 1.58 | 1.75 |
| Contact Width | b | 0.18 | 0.25 | 0.30 |
| Contact Length | L | 0.30 | 0.40 | 0.50 |
| Contact-to-Exposed Pad | K | 0.20 | - | - |

Notes:

- Pin 1 visual index feature may vary, but must be located within the hatched area.
- Package may have one or more exposed tie bars at ends.
- Package is saw singulated.
- Dimensioning and tolerancing per ASME Y14.5M.

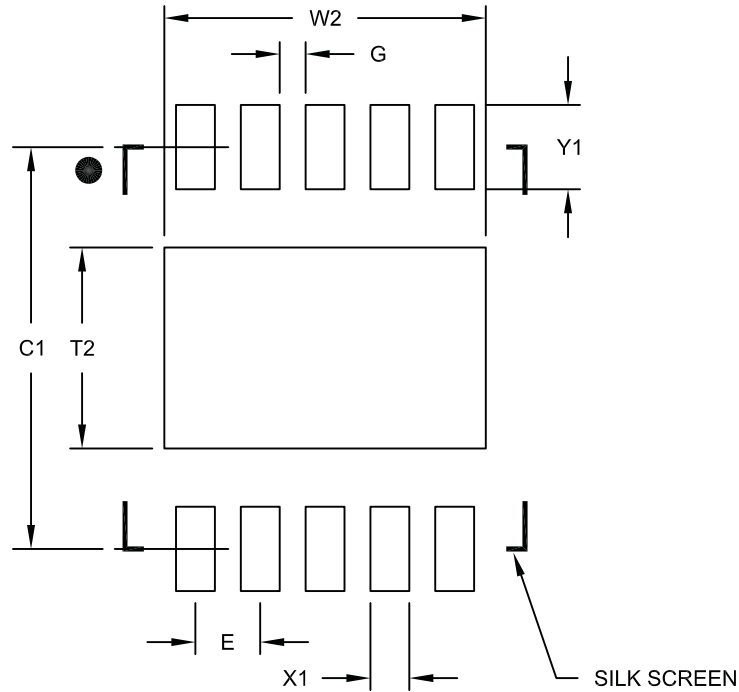
BSC: Basic Dimension. Theoretically exact value shown without tolerances.

REF: Reference Dimension, usually without tolerance, for information purposes only.

Microchip Technology Drawing C04-063B

10-Lead Plastic Dual Flat, No Lead Package (MF) – 3x3x0.9 mm Body [DFN]

Note: For the most current package drawings, please see the Microchip Packaging Specification located at <http://www.microchip.com/packaging>



RECOMMENDED LAND PATTERN

| Dimension Limits | Units | MILLIMETERS | | |
|----------------------------|-------|-------------|------|------|
| | | MIN | NOM | MAX |
| Contact Pitch | E | 0.50 BSC | | |
| Optional Center Pad Width | W2 | | | 2.48 |
| Optional Center Pad Length | T2 | | | 1.55 |
| Contact Pad Spacing | C1 | | 3.10 | |
| Contact Pad Width (X8) | X1 | | | 0.30 |
| Contact Pad Length (X8) | Y1 | | | 0.65 |
| Distance Between Pads | G | 0.20 | | |

Notes:

1. Dimensioning and tolerancing per ASME Y14.5M

BSC: Basic Dimension. Theoretically exact value shown without tolerances.

Microchip Technology Drawing No. C04-2063A

MCP73123/223

NOTES:

APPENDIX A: REVISION HISTORY

Revision A (July 2009)

- Original Release of this Document.

MCP73123/223

NOTES:

PRODUCT IDENTIFICATION SYSTEM

To order or obtain information, e.g., on pricing or delivery, refer to the factory or the listed sales office.

| <u>PART NO.</u> | <u>X</u> | <u>XX</u> | Examples: |
|--------------------|--------------------------|--|--|
| Device | Temperature Range | Package | |
| Device: | MCP73123: | Single Cell Lithium Iron Phosphate Battery Device | a) MCP73123-22SI/MF: Single Cell Lithium Iron Phosphate Battery Device |
| | MCP73123T: | Single Cell Lithium Iron Phosphate Battery Device, Tape and Reel | b) MCP73123T-22SI/MF: Tape and Reel, Single Cell Lithium Iron Phosphate Battery Device |
| | MCP73223: | Dual Cell Lithium Iron Phosphate Battery Device | a) MCP73223-C2SI/MF: Dual Cell Lithium Iron Phosphate Battery Device |
| | MCP73223T: | Dual Cell Lithium Iron Phosphate Battery Device, Tape and Reel | b) MCP73223T-C2SI/MF: Tape and Reel, Dual Cell Lithium Iron Phosphate Battery Device |
| Temperature Range: | I | = -40°C to +85°C (Industrial) | |
| Package: | MF | = Plastic Dual Flat No Lead, 3x3 mm Body (DFN), 10-Lead | |

MCP73123/223

NOTES:

Note the following details of the code protection feature on Microchip devices:

- Microchip products meet the specification contained in their particular Microchip Data Sheet.
- Microchip believes that its family of products is one of the most secure families of its kind on the market today, when used in the intended manner and under normal conditions.
- There are dishonest and possibly illegal methods used to breach the code protection feature. All of these methods, to our knowledge, require using the Microchip products in a manner outside the operating specifications contained in Microchip's Data Sheets. Most likely, the person doing so is engaged in theft of intellectual property.
- Microchip is willing to work with the customer who is concerned about the integrity of their code.
- Neither Microchip nor any other semiconductor manufacturer can guarantee the security of their code. Code protection does not mean that we are guaranteeing the product as “unbreakable.”

Code protection is constantly evolving. We at Microchip are committed to continuously improving the code protection features of our products. Attempts to break Microchip's code protection feature may be a violation of the Digital Millennium Copyright Act. If such acts allow unauthorized access to your software or other copyrighted work, you may have a right to sue for relief under that Act.

Information contained in this publication regarding device applications and the like is provided only for your convenience and may be superseded by updates. It is your responsibility to ensure that your application meets with your specifications. MICROCHIP MAKES NO REPRESENTATIONS OR WARRANTIES OF ANY KIND WHETHER EXPRESS OR IMPLIED, WRITTEN OR ORAL, STATUTORY OR OTHERWISE, RELATED TO THE INFORMATION, INCLUDING BUT NOT LIMITED TO ITS CONDITION, QUALITY, PERFORMANCE, MERCHANTABILITY OR FITNESS FOR PURPOSE. Microchip disclaims all liability arising from this information and its use. Use of Microchip devices in life support and/or safety applications is entirely at the buyer's risk, and the buyer agrees to defend, indemnify and hold harmless Microchip from any and all damages, claims, suits, or expenses resulting from such use. No licenses are conveyed, implicitly or otherwise, under any Microchip intellectual property rights.

Trademarks

The Microchip name and logo, the Microchip logo, dsPIC, KEELOQ, KEELOQ logo, MPLAB, PIC, PICmicro, PICSTART, rPIC and UNI/O are registered trademarks of Microchip Technology Incorporated in the U.S.A. and other countries.


FilterLab, Hampshire, HI-TECH C, Linear Active Thermistor, MXDEV, MXLAB, SEEVAL and The Embedded Control Solutions Company are registered trademarks of Microchip Technology Incorporated in the U.S.A.

Analog-for-the-Digital Age, Application Maestro, CodeGuard, dsPICDEM, dsPICDEM.net, dsPICworks, dsSPEAK, ECAN, ECONOMONITOR, FanSense, HI-TIDE, In-Circuit Serial Programming, ICSP, ICEPIC, Mindi, MiWi, MPASM, MPLAB Certified logo, MPLIB, MPLINK, mTouch, Omniscent Code Generation, PICC, PICC-18, PICkit, PICDEM, PICDEM.net, PICtail, PIC³² logo, REAL ICE, rLAB, Select Mode, Total Endurance, TSHARC, WiperLock and ZENA are trademarks of Microchip Technology Incorporated in the U.S.A. and other countries.

SQTP is a service mark of Microchip Technology Incorporated in the U.S.A.

All other trademarks mentioned herein are property of their respective companies.

© 2009, Microchip Technology Incorporated, Printed in the U.S.A., All Rights Reserved.

 Printed on recycled paper.

QUALITY MANAGEMENT SYSTEM
CERTIFIED BY DNV
== ISO/TS 16949:2002 ==

Microchip received ISO/TS-16949:2002 certification for its worldwide headquarters, design and wafer fabrication facilities in Chandler and Tempe, Arizona; Gresham, Oregon and design centers in California and India. The Company's quality system processes and procedures are for its PIC® MCUs and dsPIC® DSCs, KEELOQ® code hopping devices, Serial EEPROMs, microperipherals, nonvolatile memory and analog products. In addition, Microchip's quality system for the design and manufacture of development systems is ISO 9001:2000 certified.



WORLDWIDE SALES AND SERVICE

AMERICAS

Corporate Office
2355 West Chandler Blvd.
Chandler, AZ 85224-6199
Tel: 480-792-7200
Fax: 480-792-7277
Technical Support:
<http://support.microchip.com>
Web Address:
www.microchip.com

Atlanta
Duluth, GA
Tel: 678-957-9614
Fax: 678-957-1455

Boston
Westborough, MA
Tel: 774-760-0087
Fax: 774-760-0088

Chicago
Itasca, IL
Tel: 630-285-0071
Fax: 630-285-0075

Cleveland
Independence, OH
Tel: 216-447-0464
Fax: 216-447-0643

Dallas
Addison, TX
Tel: 972-818-7423
Fax: 972-818-2924

Detroit
Farmington Hills, MI
Tel: 248-538-2250
Fax: 248-538-2260

Kokomo
Kokomo, IN
Tel: 765-864-8360
Fax: 765-864-8387

Los Angeles
Mission Viejo, CA
Tel: 949-462-9523
Fax: 949-462-9608

Santa Clara
Santa Clara, CA
Tel: 408-961-6444
Fax: 408-961-6445

Toronto
Mississauga, Ontario,
Canada
Tel: 905-673-0699
Fax: 905-673-6509

ASIA/PACIFIC

Asia Pacific Office
Suites 3707-14, 37th Floor
Tower 6, The Gateway
Harbour City, Kowloon
Hong Kong
Tel: 852-2401-1200
Fax: 852-2401-3431

Australia - Sydney
Tel: 61-2-9868-6733
Fax: 61-2-9868-6755

China - Beijing
Tel: 86-10-8528-2100
Fax: 86-10-8528-2104

China - Chengdu
Tel: 86-28-8665-5511
Fax: 86-28-8665-7889

China - Hong Kong SAR
Tel: 852-2401-1200
Fax: 852-2401-3431

China - Nanjing
Tel: 86-25-8473-2460
Fax: 86-25-8473-2470

China - Qingdao
Tel: 86-532-8502-7355
Fax: 86-532-8502-7205

China - Shanghai
Tel: 86-21-5407-5533
Fax: 86-21-5407-5066

China - Shenyang
Tel: 86-24-2334-2829
Fax: 86-24-2334-2393

China - Shenzhen
Tel: 86-755-8203-2660
Fax: 86-755-8203-1760

China - Wuhan
Tel: 86-27-5980-5300
Fax: 86-27-5980-5118

China - Xiamen
Tel: 86-592-2388138
Fax: 86-592-2388130

China - Xian
Tel: 86-29-8833-7252
Fax: 86-29-8833-7256

China - Zhuhai
Tel: 86-756-3210040
Fax: 86-756-3210049

ASIA/PACIFIC

India - Bangalore
Tel: 91-80-3090-4444
Fax: 91-80-3090-4080

India - New Delhi
Tel: 91-11-4160-8631
Fax: 91-11-4160-8632

India - Pune
Tel: 91-20-2566-1512
Fax: 91-20-2566-1513

Japan - Yokohama
Tel: 81-45-471- 6166
Fax: 81-45-471-6122

Korea - Daegu
Tel: 82-53-744-4301
Fax: 82-53-744-4302

Korea - Seoul
Tel: 82-2-554-7200
Fax: 82-2-558-5932 or
82-2-558-5934

Malaysia - Kuala Lumpur
Tel: 60-3-6201-9857
Fax: 60-3-6201-9859

Malaysia - Penang
Tel: 60-4-227-8870
Fax: 60-4-227-4068

Philippines - Manila
Tel: 63-2-634-9065
Fax: 63-2-634-9069

Singapore
Tel: 65-6334-8870
Fax: 65-6334-8850

Taiwan - Hsin Chu
Tel: 886-3-6578-300
Fax: 886-3-6578-370

Taiwan - Kaohsiung
Tel: 886-7-536-4818
Fax: 886-7-536-4803

Taiwan - Taipei
Tel: 886-2-2500-6610
Fax: 886-2-2508-0102

Thailand - Bangkok
Tel: 66-2-694-1351
Fax: 66-2-694-1350

EUROPE

Austria - Wels
Tel: 43-7242-2244-39
Fax: 43-7242-2244-393

Denmark - Copenhagen
Tel: 45-4450-2828
Fax: 45-4485-2829

France - Paris
Tel: 33-1-69-53-63-20
Fax: 33-1-69-30-90-79

Germany - Munich
Tel: 49-89-627-144-0
Fax: 49-89-627-144-44

Italy - Milan
Tel: 39-0331-742611
Fax: 39-0331-466781

Netherlands - Drunen
Tel: 31-416-690399
Fax: 31-416-690340

Spain - Madrid
Tel: 34-91-708-08-90
Fax: 34-91-708-08-91

UK - Wokingham
Tel: 44-118-921-5869
Fax: 44-118-921-5820

03/26/09