

16-Bit I²C™ I/O Expander

Features

- 16-bit remote bidirectional I/O port
 - 16 I/O pins default to 16 inputs
- Fast I²C™ bus clock frequency (0 - 400 kbits/s)
- Three hardware address pins allow use of up to eight devices
- High-current drive capability per I/O: ±25 mA
- Open-drain interrupt output on input change
- Interrupt port capture register
- Internal Power-On Reset (POR)
- Polarity inversion register to configure the polarity of the input port data
- Compatible with most microcontrollers
- Available temperature range:
 - Industrial (I): -40°C to +85°C

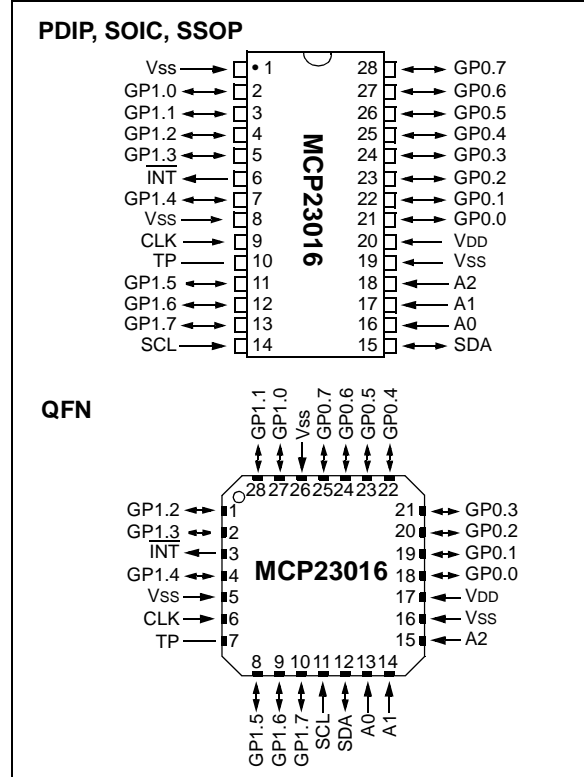
CMOS Technology

- Operating Supply Voltage: 2.0V to 5.5V
- Low standby current

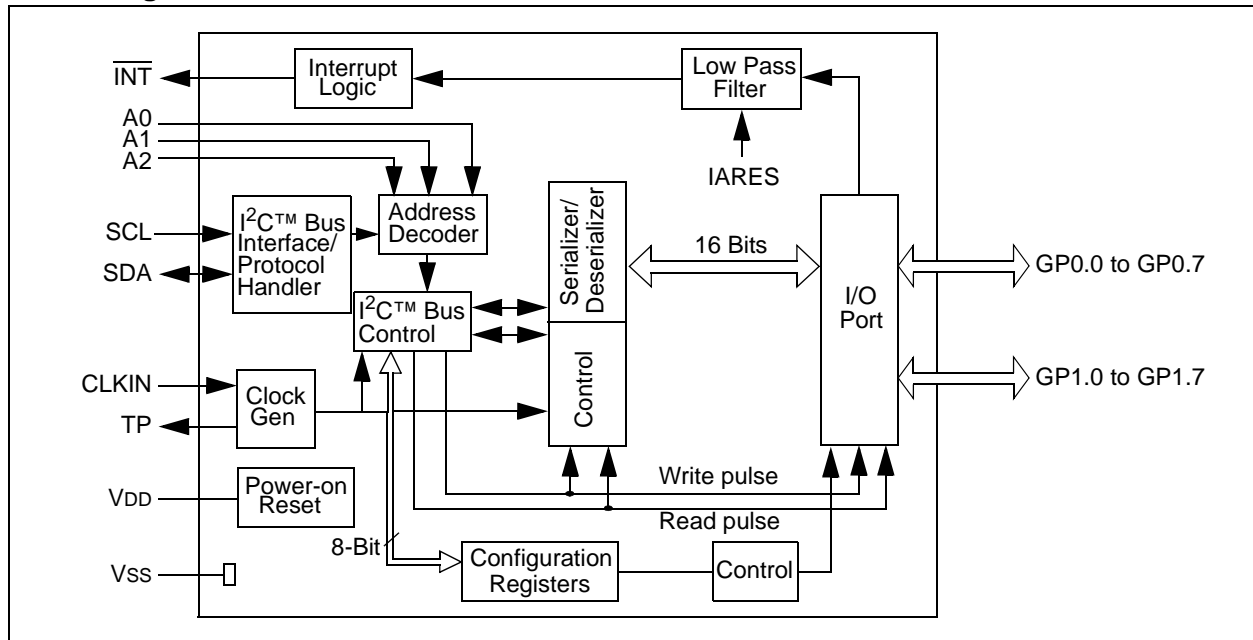
Packages

- 28-pin PDIP, 300 mil; 28-pin SOIC, 300 mil
- 28-pin SSOP, 209 mil; 28-pin QFN, 6x6 mm

Package Types



Block Diagram



MCP23016

NOTES:

1.0 DEVICE OVERVIEW

The MCP23016 device provides 16-bit, general purpose, parallel I/O expansion for I²C bus applications.

This device includes high-current drive capability, low supply current and individual I/O configuration. I/O expanders provide a simple solution when additional I/Os are needed for ACPI, power switches, sensors, push buttons, LEDs and so on.

The MCP23016 consists of multiple 8-bit configuration registers for input, output and polarity selection. The system master can enable the I/Os as either inputs or outputs by writing the I/O configuration bits. The data for each input or output is kept in the corresponding

input or output register. The polarity of the read register can be inverted with the polarity inversion register (see **Section 1.7.3, “Input Polarity Registers”**). All registers can be read by the system master.

The open-drain interrupt output is activated when any input state differs from its corresponding input port register state. This is used to indicate to the system master that an input state has changed. The interrupt capture register captures port value at this time. The Power-on Reset sets the registers to their default values and initializes the device state machine.

Three device inputs (A0 - A2) determine the I²C address and allow up to eight I/O expander devices to share the same I²C bus.

1.1 Pin Descriptions

TABLE 1-1: PINOUT DESCRIPTION

| Pin Name | PDIP, SOIC, SSOP Pin No. | QFN Pin No. | I/O/P Type | Buffer Type | Description |
|-------------------------|-----------------------------------|----------------|---------------|----------------|---|
| CLK | 9 | 6 | I | ST | Clock source input |
| TP | 10 | 7 | O | — | Test Pin (This pin must be left floating) |
| GP1.0 | 2 | 27 | I/O | TTL | D0 digital input/output for GP1 |
| GP1.1 | 3 | 28 | I/O | TTL | D1 digital input/output for GP1 |
| GP1.2 | 4 | 1 | I/O | TTL | D2 digital input/output for GP1 |
| GP1.3 | 5 | 2 | I/O | TTL | D3 digital input/output for GP1 |
| GP1.4 | 7 | 4 | I/O | TTL | D4 digital input/output for GP1 |
| GP1.5 | 11 | 8 | I/O | ST | D5 digital input/output for GP1 |
| GP1.6 | 12 | 9 | I/O | ST | D6 digital input/output for GP1 |
| GP1.7 | 13 | 10 | I/O | ST | D7 digital input/output for GP1 |
| GP0.0 | 21 | 18 | I/O | TTL | D0 digital input/output for GP0 |
| GP0.1 | 22 | 19 | I/O | TTL | D1 digital input/output for GP0 |
| GP0.2 | 23 | 20 | I/O | TTL | D2 digital input/output for GP0 |
| GP0.3 | 24 | 21 | I/O | TTL | D3 digital input/output for GP0 |
| GP0.4 | 25 | 22 | I/O | TTL | D4 digital input/output for GP0 |
| GP0.5 | 26 | 23 | I/O | TTL | D5 digital input/output for GP0 |
| GP0.6 | 27 | 24 | I/O | TTL | D6 digital input/output for GP0 |
| GP0.7 | 28 | 25 | I/O | TTL | D7 digital input/output for GP0 |
| SCL | 14 | 11 | I | ST | Serial clock input |
| SDA | 15 | 12 | I/O | ST | Serial data I/O |
| $\overline{\text{INT}}$ | 6 | 3 | O | OD | Interrupt output |
| A0 | 16 | 13 | I | ST | Address input 1 |
| A1 | 17 | 14 | I | ST | Address input 2 |
| A2 | 18 | 15 | I | ST | Address input 3 |
| Vss | 1, 8, 19 | 5, 16, 26 | P | — | Ground reference for logic and I/O pins |
| VDD | 20 | 17 | P | — | Positive supply for logic and I/O pins |

MCP23016

1.2 Power-on Reset (POR)

The on-chip POR circuit holds the chip in RESET until VDD has reached a high enough level to deactivate the POR circuit (i.e., release RESET). A maximum rise time for VDD is specified in the electrical specifications.

When the device starts normal operation (exits the RESET condition), device operating parameters (voltage, frequency, temperature) must be met to ensure proper operation.

1.3 Power-up Timer (PWRT)

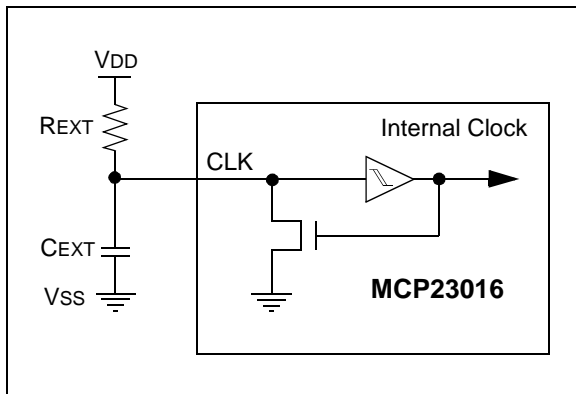
The Power-up Timer provides a 72 ms nominal time-out on power-up, keeping the device in RESET and allowing VDD to rise to an acceptable level.

The power-up time delay will vary from chip-to-chip due to VDD, temperature and process variation. See Table 2-4 for details (TPWRT, parameter 3).

1.4 Clock Generator

The MCP23016 uses an external RC circuit to determine the internal clock speed. The user must connect R and C to the MCP23016, as shown in Figure 1-1.

FIGURE 1-1: CLOCK CONFIGURATION



A 1 MHz (typ.) internal clock is needed for the device to function properly. The internal clock can be measured on the TP pin. Recommended REXT and CEXT values are shown in Table 1-2.

Note: Set IARES = 1 to measure the clock output on TP.

TABLE 1-2: RECOMMENDED VALUES

| REXT | CEXT |
|--------|-------|
| 3.9 kΩ | 33 pF |

1.5 I²C Bus Interface/ Protocol Handler

This block manages the functionality of the I²C bus interface and protocol handling. The MCP23016 supports the following commands:

TABLE 1-3: COMMAND BYTE TO REGISTER RELATIONSHIP

| Command Byte | Result |
|--------------|-------------------------------|
| 0h | Access to GP0 |
| 1h | Access to GP1 |
| 2h | Access to OLAT0 |
| 3h | Access to OLAT1 |
| 4h | Access to IPOL0 |
| 5h | Access to IPOL1 |
| 6h | Access to IODIR0 |
| 7h | Access to IODIR1 |
| 8h | Access to INTCAP0 (Read-Only) |
| 9h | Access to INTCAP1 (Read-Only) |
| Ah | Access to IOCON0 |
| Bh | Access to IOCON1 |

1.6 Address Decoder

The last three LSB of the 7-bit address are user-defined (see Table 1-4). Three hardware pins (<A2:A0>) define these bits.

TABLE 1-4: DEVICE ADDRESS

| | | | | | | |
|---|---|---|---|----|----|----|
| 0 | 1 | 0 | 0 | A2 | A1 | A0 |
|---|---|---|---|----|----|----|

1.7 Register Block

The register block contains the Configuration and Port registers, as shown in Table 1-5.

TABLE 1-5: REGISTER SUMMARY

| Name | Bit 7 | Bit 6 | Bit 5 | Bit 4 | Bit 3 | Bit 2 | Bit 1 | Bit 0 | Value on POR |
|--------------------------------|--------|--------|--------|--------|--------|--------|--------|--------|--------------|
| Port Registers | | | | | | | | | |
| GP0 | GP0.7 | GP0.6 | GP0.5 | GP0.4 | GP0.3 | GP0.2 | GP0.1 | GP0.0 | 0000 0000 |
| GP1 | GP1.7 | GP1.6 | GP1.5 | GP1.4 | GP1.3 | GP1.2 | GP1.1 | GP0.0 | 0000 0000 |
| OLAT0 | OL0.7 | OL0.6 | OL0.5 | OL0.4 | OL0.3 | OL0.2 | OL0.1 | OL0.0 | 0000 0000 |
| OLAT1 | OL1.7 | OL1.6 | OL1.5 | OL1.4 | OL1.3 | OL1.2 | OL1.1 | OL1.0 | 0000 0000 |
| Configuration Registers | | | | | | | | | |
| IPOL0 | IGP0.7 | IGP0.6 | IGP0.5 | IGP0.4 | IGP0.3 | IGP0.2 | IGP0.1 | IGP0.0 | 0000 0000 |
| IPOL1 | IGP1.7 | IGP1.6 | IGP1.5 | IGP1.4 | IGP1.3 | IGP1.2 | IGP1.1 | IGP1.0 | 0000 0000 |
| IODIR0 | IOD0.7 | IOD0.6 | IOD0.5 | IOD0.4 | IOD0.3 | IOD0.2 | IOD0.1 | IOD0.0 | 1111 1111 |
| IODIR1 | IOD1.7 | IOD1.6 | IOD1.5 | IOD1.4 | IOD1.3 | IOD1.2 | IOD1.1 | IOD1.0 | 1111 1111 |
| INTCAP0 | ICP0.7 | ICP0.6 | ICP0.5 | ICP0.4 | ICP0.3 | ICP0.2 | ICP0.1 | ICP0.0 | xxxx xxxx |
| INTCAP1 | ICP1.7 | ICP1.6 | ICP1.5 | ICP1.4 | ICP1.3 | ICP1.2 | ICP1.1 | ICP1.0 | xxxx xxxx |
| IOCON0 | — | — | — | — | — | — | — | IARES | ---- ---0 |
| IOCON1 | — | — | — | — | — | — | — | IARES | ---- ---0 |

Legend: '1' bit is set, '0' bit is cleared, x = unknown, — = unimplemented.

MCP23016

1.7.1 DATA PORT REGISTERS

Two registers provide access to the two GPIO ports:

- GP0 (provides access to data port GP0)
- GP1 (provides access to data port GP1)

A read from this register provides status on pins of these ports. A write to these registers will modify the output latch registers (OLAT0, OLAT1) and data output.

REGISTER 1-1: GP0 - GENERAL PURPOSE I/O PORT REGISTER 0

| | | | | | | | |
|-------|-------|-------|-------|-------|-------|-------|-------|
| R/W-0 | R/W-0 | R/W-0 | R/W-0 | R/W-0 | R/W-0 | R/W-0 | R/W-0 |
| GP0.7 | GP0.6 | GP0.5 | GP0.4 | GP0.3 | GP0.2 | GP0.1 | GP0.0 |
| bit 7 | | | | bit 0 | | | |

bit 7-0 **GP0.0:GP0.7:** Reflects the logic level on the pins.
1 = Logic '1'
0 = Logic '0'

Legend:

R = Readable bit W = Writable bit U = Unimplemented bit, read as '0'
- n = Value at POR '1' = Bit is set '0' = Bit is cleared x = Bit is unknown

REGISTER 1-2: GP1 - GENERAL PURPOSE I/O PORT REGISTER 1

| | | | | | | | |
|-------|-------|-------|-------|-------|-------|-------|-------|
| R/W-0 | R/W-0 | R/W-0 | R/W-0 | R/W-0 | R/W-0 | R/W-0 | R/W-0 |
| GP1.7 | GP1.6 | GP1.5 | GP1.4 | GP1.3 | GP1.2 | GP1.1 | GP1.0 |
| bit 7 | | | | bit 0 | | | |

bit 7-0 **GP1.0:GP1.7:** Reflects the logic level on the pins.
1 = Logic '1'
0 = Logic '0'

Legend:

R = Readable bit W = Writable bit U = Unimplemented bit, read as '0'
- n = Value at POR '1' = Bit is set '0' = Bit is cleared x = Bit is unknown

1.7.2 OUTPUT LATCH REGISTERS

Two registers provide access to the two port output latches:

- OLAT0 (provides access to the output latch for port GP0)
- OLAT1 (provides access to the output latch for port GP1)

A read from these registers results in a read of the latch that controls the output and not the actual port. A write to these registers updates the output latch that controls the output.

REGISTER 1-3: OLAT0 - OUTPUT LATCH REGISTER 0

| R/W-0 | R/W-0 | R/W-0 | R/W-0 | R/W-0 | R/W-0 | R/W-0 | R/W-0 |
|-------|-------|-------|-------|-------|-------|-------|-------|
| OL0.7 | OL0.6 | OL0.5 | OL0.4 | OL0.3 | OL0.2 | OL0.1 | OL0.0 |
| bit 7 | | | | bit 0 | | | |

bit 7-0 **OL0.0:OL0.7**: Reflects the logic level on the output latch.
 1 = Logic '1'
 0 = Logic '0'

Legend:

| | | |
|--------------------|------------------|--|
| R = Readable bit | W = Writable bit | U = Unimplemented bit, read as '0' |
| - n = Value at POR | '1' = Bit is set | '0' = Bit is cleared x = Bit is unknown |

REGISTER 1-4: OLAT1 - OUTPUT LATCH REGISTER 1

| R/W-0 | R/W-0 | R/W-0 | R/W-0 | R/W-0 | R/W-0 | R/W-0 | R/W-0 |
|-------|-------|-------|-------|-------|-------|-------|-------|
| OL1.7 | OL1.6 | OL1.5 | OL1.4 | OL1.3 | OL1.2 | OL1.1 | OL1.0 |
| bit 7 | | | | bit 0 | | | |

bit 7-0 **OL1.0:OL1.7**: Reflects the logic level on the output latch.
 1 = Logic '1'
 0 = Logic '0'

Legend:

| | | |
|--------------------|------------------|--|
| R = Readable bit | W = Writable bit | U = Unimplemented bit, read as '0' |
| - n = Value at POR | '1' = Bit is set | '0' = Bit is cleared x = Bit is unknown |

MCP23016

1.7.3 INPUT POLARITY REGISTERS

These registers allow the user to configure the polarity of the input port data (GP0 and GP1). If a bit in this register is set, the corresponding input port (GPn) data bit polarity will be inverted.

- IPOL0 (controls the polarity of GP0)
- IPOL1 (controls the polarity of GP1)

REGISTER 1-5: IPOL0 - INPUT POLARITY PORT REGISTER 0

| R/W-0 | R/W-0 | R/W-0 | R/W-0 | R/W-0 | R/W-0 | R/W-0 | R/W-0 |
|--------|--------|--------|--------|--------|--------|--------|--------|
| IGP0.7 | IGP0.6 | IGP0.5 | IGP0.4 | IGP0.3 | IGP0.2 | IGP0.1 | IGP0.0 |
| bit 7 | | | | bit 0 | | | |

bit 7-0 **IGP0.0:IGP0.7:** Controls the polarity inversion for the input pins
1 = Corresponding GP0 bit is inverted
0 = Corresponding GP0 bit is not inverted

Legend:

R = Readable bit W = Writable bit U = Unimplemented bit, read as '0'
- n = Value at POR '1' = Bit is set '0' = Bit is cleared x = Bit is unknown

REGISTER 1-6: IPOL1 - INPUT POLARITY PORT REGISTER 1

| R/W-0 | R/W-0 | R/W-0 | R/W-0 | R/W-0 | R/W-0 | R/W-0 | R/W-0 |
|--------|--------|--------|--------|--------|--------|--------|--------|
| IGP1.7 | IGP1.6 | IGP1.6 | IGP1.4 | IGP1.3 | IGP1.2 | IGP1.1 | IGP1.0 |
| bit 7 | | | | bit 0 | | | |

bit 7-0 **IGP1.0:IGP1.7:** Controls the polarity inversion for the input pins
1 = Corresponding GP1 bit is inverted
0 = Corresponding GP1 bit is not inverted

Legend:

R = Readable bit W = Writable bit U = Unimplemented bit, read as '0'
- n = Value at POR '1' = Bit is set '0' = Bit is cleared x = Bit is unknown

1.7.4 I/O DIRECTION REGISTERS

Two registers control the direction of data I/O:

- IODIR0 (controls GP0)
- IODIR1 (controls GP1)

When a bit in these registers is set, the corresponding pin becomes an input. Otherwise, it becomes an output. At Power-on Reset, the device ports are configured as inputs.

REGISTER 1-7: IODIR0 - I/O DIRECTION REGISTER 0

| R/W-1 | R/W-1 | R/W-1 | R/W-1 | R/W-1 | R/W-1 | R/W-1 | R/W-1 | |
|--------|--------|--------|--------|--------|--------|--------|--------|-------|
| IOD0.7 | IOD0.6 | IOD0.5 | IOD0.4 | IOD0.3 | IOD0.2 | IOD0.1 | IOD0.0 | |
| bit 7 | | | | | | | | bit 0 |

bit 7-0 **IOD0.0:IOD0.7:** Controls the direction of data I/O
 1 = Input
 0 = Output

Legend:

| | | |
|--------------------|------------------|--|
| R = Readable bit | W = Writable bit | U = Unimplemented bit, read as '0' |
| - n = Value at POR | '1' = Bit is set | '0' = Bit is cleared x = Bit is unknown |

REGISTER 1-8: IODIR1 - I/O DIRECTION REGISTER 1

| R/W-1 | R/W-1 | R/W-1 | R/W-1 | R/W-1 | R/W-1 | R/W-1 | R/W-1 | |
|--------|--------|--------|--------|--------|--------|--------|--------|-------|
| IOD1.7 | IOD1.6 | IOD1.5 | IOD1.4 | IOD1.3 | IOD1.2 | IOD1.1 | IOD1.0 | |
| bit 7 | | | | | | | | bit 0 |

bit 7-0 **IOD1.0:IOD1.7:** Controls the direction of data I/O
 1 = Input
 0 = Output

Legend:

| | | |
|--------------------|------------------|--|
| R = Readable bit | W = Writable bit | U = Unimplemented bit, read as '0' |
| - n = Value at POR | '1' = Bit is set | '0' = Bit is cleared x = Bit is unknown |

MCP23016

1.7.5 INTERRUPT CAPTURE REGISTERS

Two registers contain the value of the port that generated the interrupt:

- INTCAP0 contains the value of GP0 at time of GP0 change interrupt
- INTCAP1 contains the value of GP1 at time of GP1 change interrupt

These registers are 'read-only' registers (A write to these registers is ignored).

REGISTER 1-9: INTCAP0 - INTERRUPT CAPTURED VALUE FOR PORT REGISTER 0

| | | | | | | | |
|--------|--------|--------|--------|--------|--------|--------|--------|
| R-x | R-x | R-x | R-x | R-x | R-x | R-x | R-x |
| ICP0.7 | ICP0.6 | ICP0.5 | ICP0.4 | ICP0.3 | ICP0.2 | ICP0.1 | ICP0.0 |
| bit 7 | | | | | | | bit 0 |

bit 7-0 **ICP0.0:ICP0.7:** Reflects the logic level on the GP0 pins at the time of interrupt due to pin change
1 = Logic '1'
0 = Logic '0'

Legend:

| | | |
|--------------------|------------------|--|
| R = Readable bit | W = Writable bit | U = Unimplemented bit, read as '0' |
| - n = Value at POR | '1' = Bit is set | '0' = Bit is cleared x = Bit is unknown |

REGISTER 1-10: INTCAP1 - INTERRUPT CAPTURED VALUE FOR PORT REGISTER 1

| | | | | | | | |
|--------|--------|--------|--------|--------|--------|--------|--------|
| R-x | R-x | R-x | R-x | R-x | R-x | R-x | R-x |
| ICP1.7 | ICP1.6 | ICP1.5 | ICP1.4 | ICP1.3 | ICP1.2 | ICP1.1 | ICP1.0 |
| bit 7 | | | | | | | bit 0 |

bit 7-0 **ICP1.0:ICP1.7:** Reflects the logic level on the GP1 pins at the time of interrupt due to pin change
1 = Logic '1'
0 = Logic '0'

Legend:

| | | |
|--------------------|------------------|--|
| R = Readable bit | W = Writable bit | U = Unimplemented bit, read as '0' |
| - n = Value at POR | '1' = Bit is set | '0' = Bit is cleared x = Bit is unknown |

1.7.6 I/O EXPANDER CONTROL REGISTER

- IOCON0 controls the functionality of the MCP23016.

The IARES (Interrupt Activity Resolution) bit controls the sampling frequency of the GP port pins. The higher the sampling frequency, the higher the device current requirements. If this bit is '0' (default), the maximum time to detect the activity on the port is 32 ms (max.), which results in lower standby current. If this bit is '1', the maximum time to detect activity on the port is 200 μ sec. (max.) and results in higher standby current.

REGISTER 1-11: IOCON0 - I/O EXPANDER CONTROL REGISTER

| | | | | | | | |
|-------|-----|-----|-----|-----|-----|-----|-------|
| U-0 | U-0 | U-0 | U-0 | U-0 | U-0 | U-0 | R/W-0 |
| — | — | — | — | — | — | — | IARES |
| bit 7 | | | | | | | bit 0 |

bit 1-7 **Unimplemented bit:** Read as '0'

bit 0 **IARES:** Interrupt Activity Resolution
 1 = Fast sample rate
 0 = Normal sample rate

Legend:

| | | |
|--------------------|------------------|--|
| R = Readable bit | W = Writable bit | U = Unimplemented bit, read as '0' |
| - n = Value at POR | '1' = Bit is set | '0' = Bit is cleared x = Bit is unknown |

IOCON1 is a shadow register for IOCON0. Access to IOCON1 results in access to IOCON0.

MCP23016

1.8 Serializer/Deserializer

The Serializer/Deserializer block converts and transfers data between the I²C bus and GPIO.

1.9 Interrupt Logic

The MCP23016 asserts the open-drain interrupt output ($\overline{\text{INT}}$) low when one of the port pins changes state. Only those pins that are configured as an input can cause an interrupt. Pins defined as an output have no effect on $\overline{\text{INT}}$. The interrupt will remain active until a read from either the port (GPn) on which the interrupt occurred or the INTCAPn register is performed. If the input returns to its previous state before a read operation, it will reset the interrupt and the $\overline{\text{INT}}$ pin output will tri-state. Each 8-bit port is read separately, so reading GP0 or INTCAP0 will not clear the interrupt generated by GP1 or INTCAP1 , and vice versa.

Input change activity on each port will generate an interrupt and the value of the particular port will be captured and copied into $\text{INTCAP0}/\text{INTCAP1}$. The INTCAPn registers are only updated when an interrupt occurs on $\overline{\text{INT}}$. These values will stay unchanged until the user clears the interrupt by reading the port or the INTCAPn register.

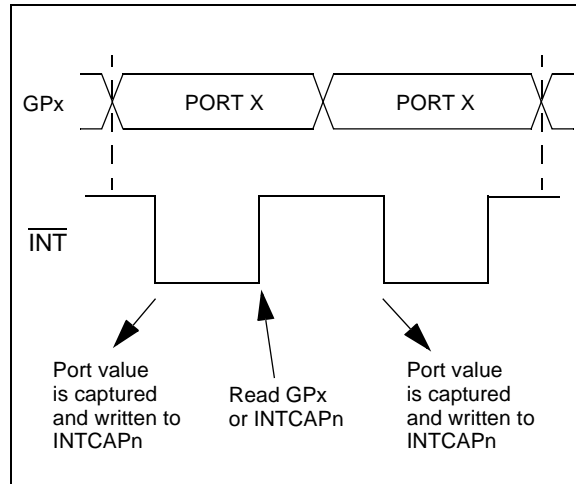
If the input port value changes back to normal before a user-read, the $\overline{\text{INT}}$ output will be reset. However, the $\text{INTCAP0}/\text{INTCAP1}$ will still contain the value of the port at the interrupt change. If the port value changes again, it will re-activate the interrupt and the new value will be captured.

The first interrupt on change event following an interrupt RESET will result in a capture event. Any further change event that occurs before the interrupt is reset will not result in a capture event.

1.9.1 INTERRUPT EVENT DETECTION

The IARES bit controls the resolution for detecting an interrupt-on-change event. If this bit is '0' (default), the maximum time for detecting a change of event is high, which results in lower standby current. If this bit is '1', it takes less time for scanning the activity on the port and results in higher standby current.

FIGURE 1-2: READING PORTX AFTER INTERRUPT EVENT



1.9.2 WRITING THE REGISTERS

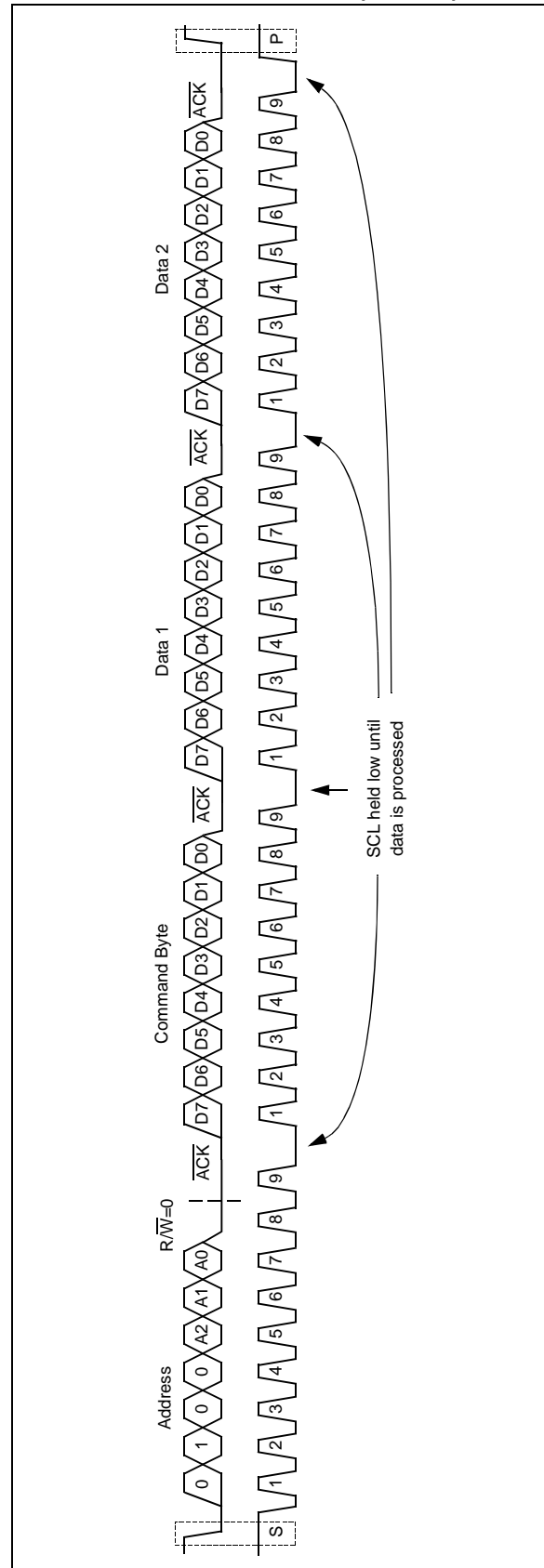
To write to a MCP23016 register, the Master I²C device needs to follow the requirements, as illustrated in Figure 1-3. First, the device is selected by sending the slave address and setting the R/W bit to logic '0'. The command byte is sent after the address and determines which register will be written. Table 1-3 shows the relationship of the command byte and register.

The MCP23016 has twelve 8-bit registers. They are configured to operate as six 16-bit register pairs, supporting the device's 16-bit port. These pairs are formed based on their functions (e.g., GP0 and GP1 are grouped together). The I²C commands apply to one register pair to provide faster access. The first data byte following a command byte is written into the register pointed to by the command byte, while the second data byte is written into another register in the same pair. For example, if the first byte is sent to OLAT1 (command byte 03h), the next data byte will be written into the second register of that pair, OLAT0. If the first byte is written to OLAT0 (command byte 02h), the second byte will be written to OLAT1.

There is no limitation on the number of data bytes in one write transmission. Figure 1-4 shows the case of multiple byte writes in one write operation. In this case, the multiple writes are made to the same data pair.

Note: The bus must remain free until after the ninth clock pulse for a minimum of 12 μs (see Table 2-5 and Figure 2-4).

FIGURE 1-3: WRITE TO CONFIGURATION REGISTERS (CASE 1)



MCP23016

FIGURE 1-4: WRITE TO CONFIGURATION REGISTERS (CASE 2)

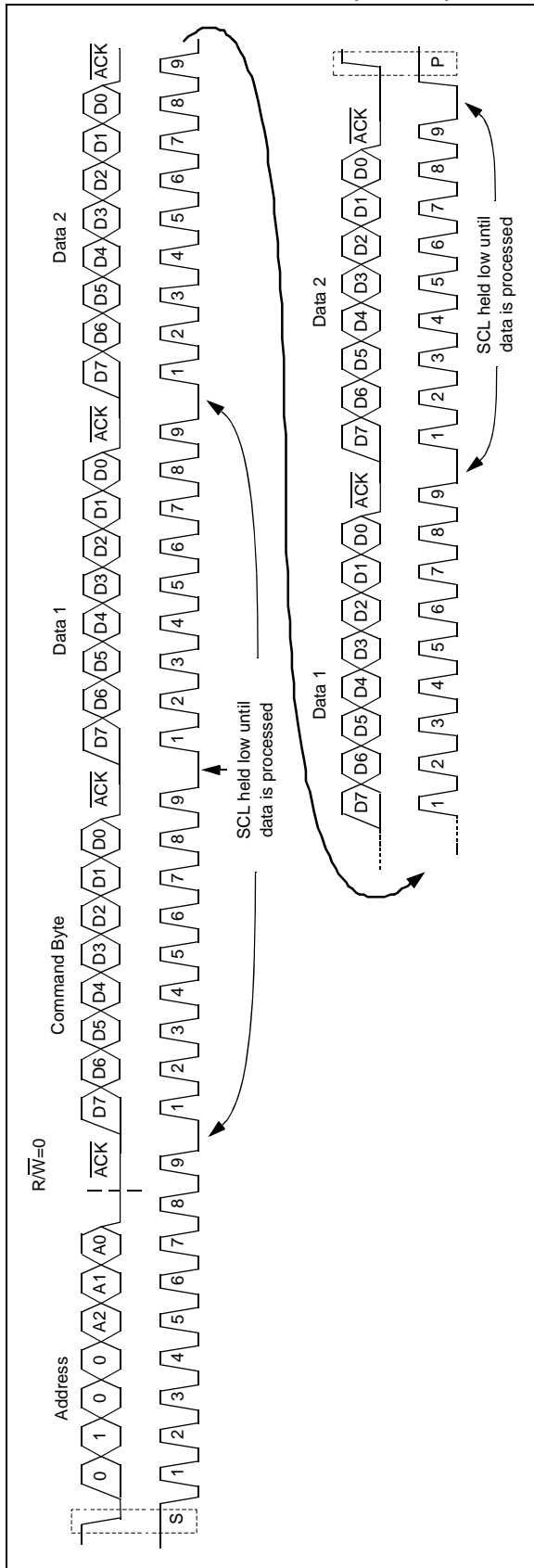
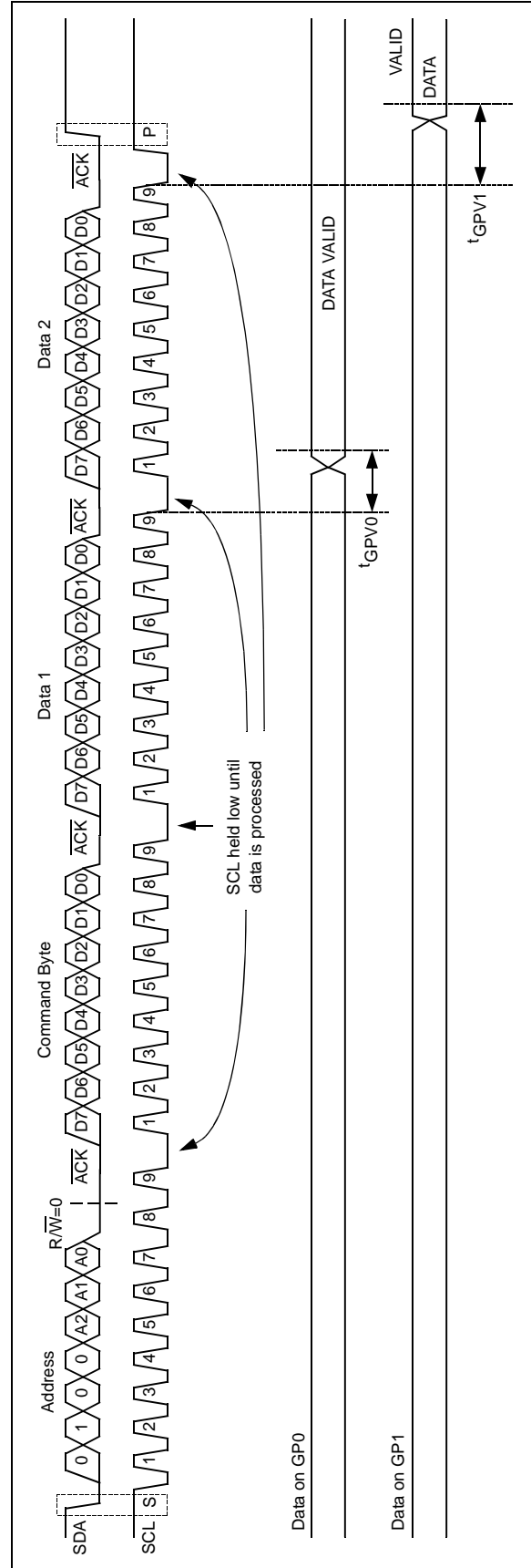


FIGURE 1-5: WRITE TO OUTPUT PORTS



1.9.3 READING THE REGISTERS

To read a MCP23016 register, the Master needs to follow the requirements shown in Figure 1-6. First, the device is selected by sending the slave address and setting the R/W bit to logic '0'. The command byte is sent after the address and determines which register will be read. A restart condition is generated and the device address is sent again with the R/W bit set to logic '1'. The data register defined by the command byte will be sent first, followed by the other register in the register pair. The logic for register selection is the same as explained in Write mode (**Section 1.9.2, "Writing the Registers"**).

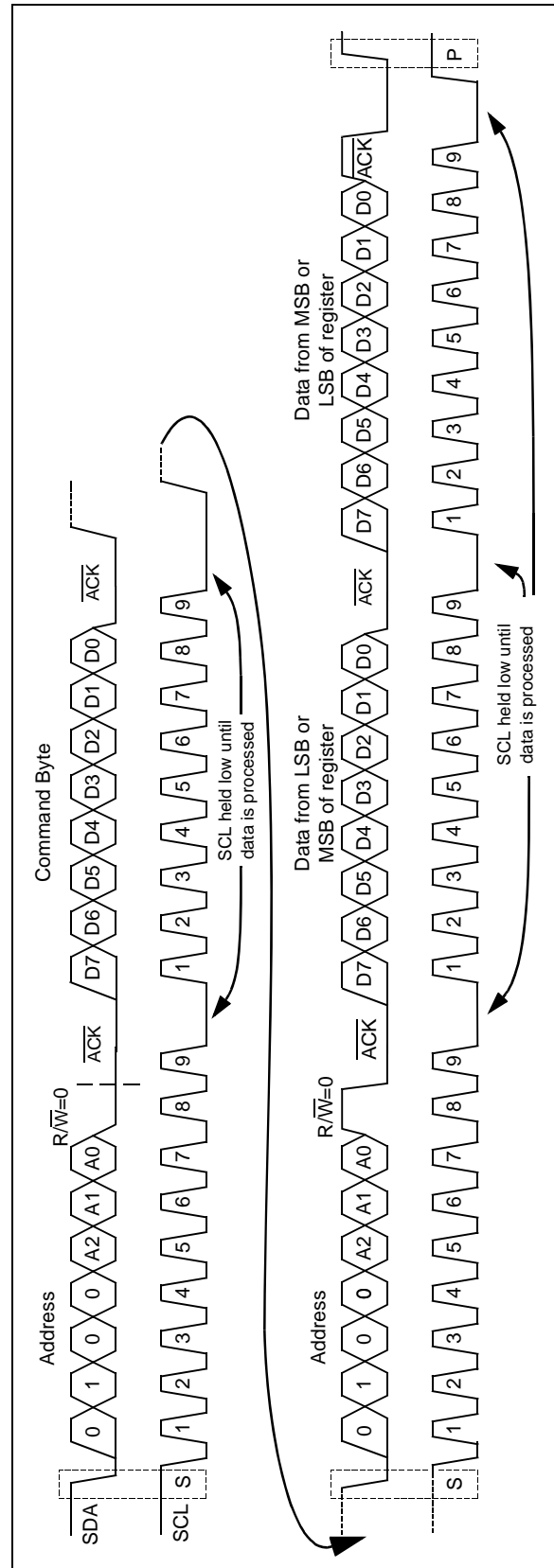
The falling edge of the ninth clock initiates the register read action. The SCL clock will be held low while the data is read from the register and is transferred to the I²C bus control block by the Serializer/Deserializer block.

The MCP23016 holds the clock low after the falling edge of the ninth clock pulse. The configuration registers (or port control registers) are read and the value is stored. Finally, the clock is released to enable the next transmission.

There is no limitation on the number of data bytes in one read transmission. Figure 1-8 shows the case of multiple byte read in one read operation. In this case, the multiple writes are made to the same data pair.

Note: The bus must remain free until after the ninth clock pulse for a minimum of 12 μ s (see Table 2-5 and Figure 2-4).

FIGURE 1-6: READ FROM CONFIGURATION REGISTER



MCP23016

FIGURE 1-7: READ FROM INPUT PORTS (CASE 1)

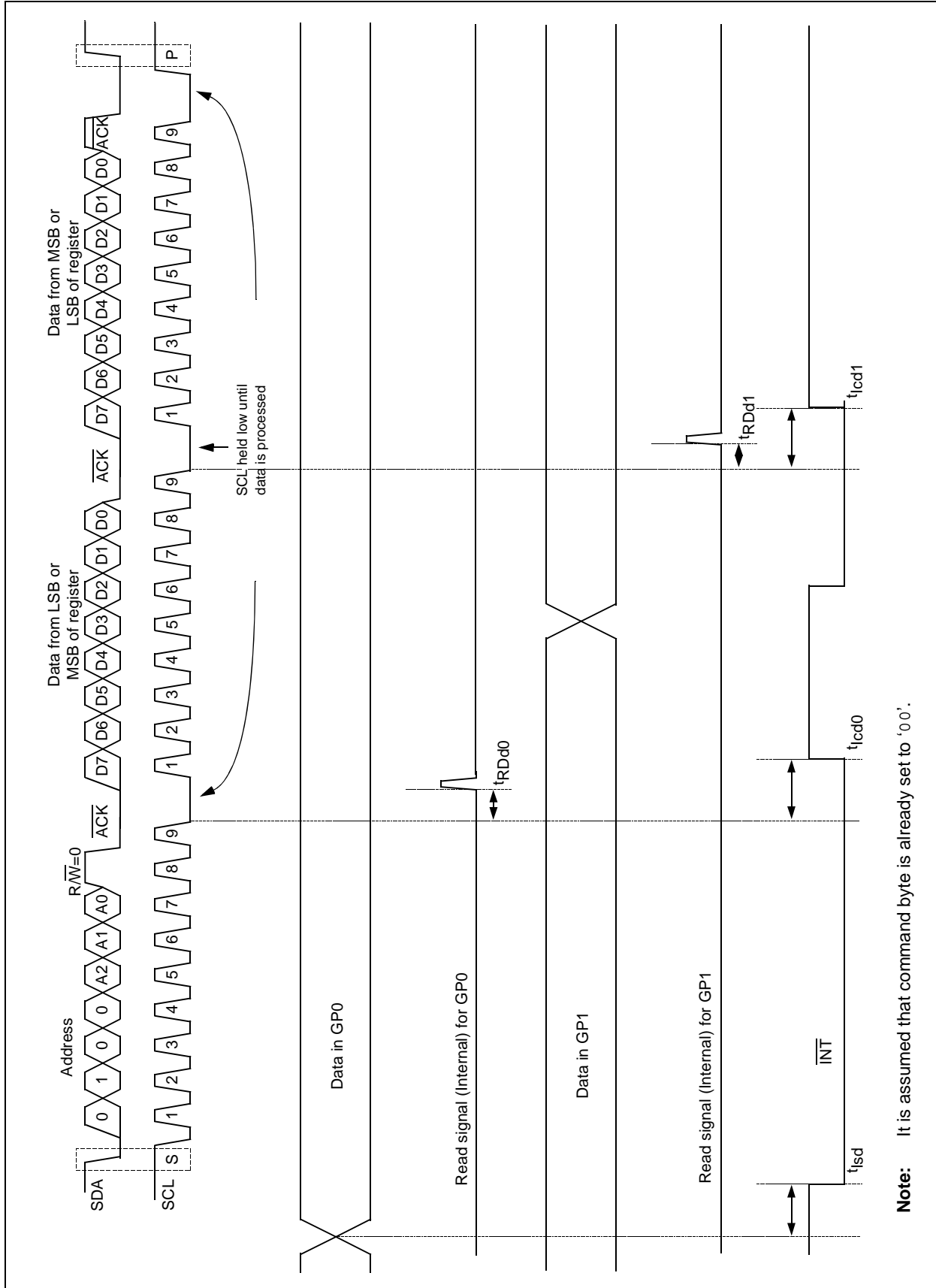
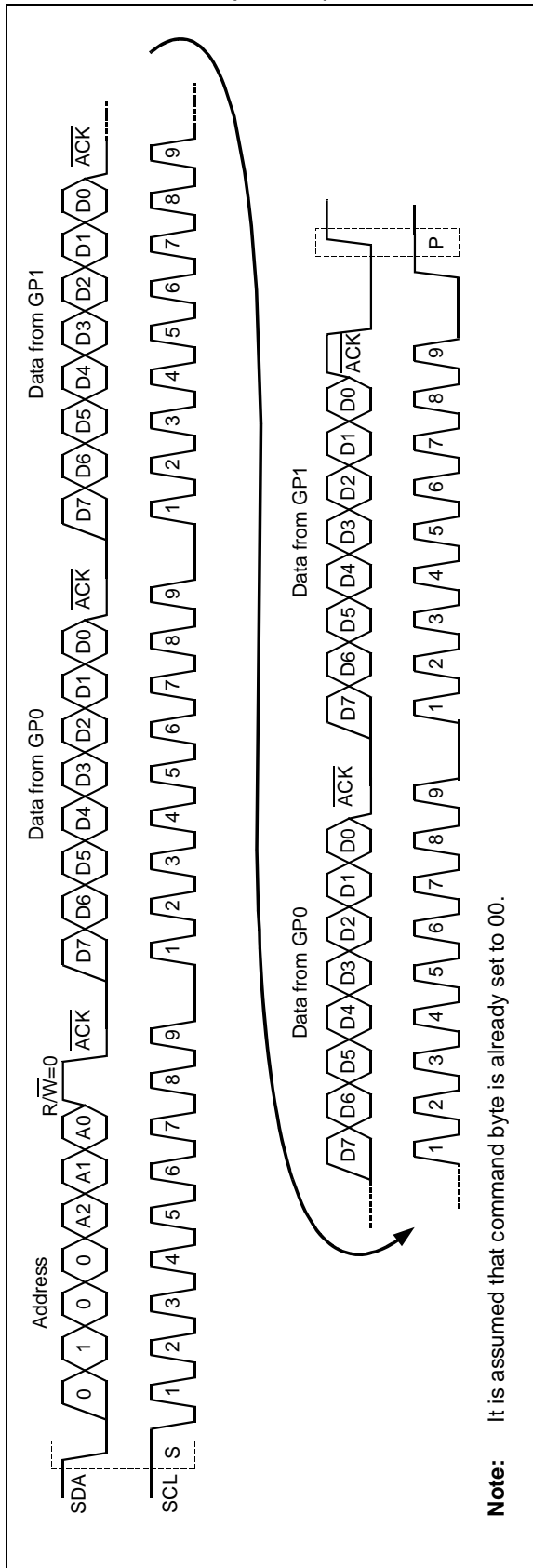


FIGURE 1-8: READ FROM INPUT PORTS (CASE 2)



MCP23016

NOTES:

2.0 ELECTRICAL CHARACTERISTICS

Absolute Maximum Ratings †

| | |
|---|-----------------------|
| Ambient temperature under bias..... | -55 to +125°C |
| Storage temperature | -65°C to +150°C |
| Voltage on any pin with respect to VSS | -0.3V to (VDD + 0.3V) |
| Voltage on VDD with respect to VSS | -0.3V to +6.5V |
| Total power dissipation (Note 1) | 1.0 W |
| Maximum current out of VSS pin | 300 mA |
| Maximum current into VDD pin | 250 mA |
| Input clamp current, I _{IK} (V _I < 0, or V _I > VDD) | ± 20 mA |
| Output clamp current, I _{OK} (V _O < 0, or V _O > VDD) | ± 20 mA |
| Maximum output current sunk by any I/O pin..... | 25 mA |
| Maximum output current sourced by any I/O pin | 25 mA |
| Maximum current sunk by combined PORTS | 200 mA |
| Maximum current sourced by combined PORTS | 200 mA |

Note 1: Power dissipation is calculated as follows:

$$P_{dis} = VDD \times \{I_{DD} - \sum I_{OH}\} + \sum \{(VDD - V_{OH}) \times I_{OH}\} + \sum (V_{OL} \times I_{OL})$$

† **NOTICE:** Stresses above those listed under “Absolute Maximum Ratings” may cause permanent damage to the device. This is a stress rating only and functional operation of the device at those or any other conditions above those indicated in the operation listings of this specification is not implied. Exposure to maximum rating conditions for extended periods may affect device reliability.

MCP23016

2.1 DC Characteristics

TABLE 2-1: DC CHARACTERISTICS

| DC CHARACTERISTICS | | | Standard Operating Conditions (unless otherwise stated) Operating temperature: $-40^{\circ}\text{C} \leq T_A \leq +85^{\circ}\text{C}$ for industrial | | | | |
|------------------------------|---|-------|--|------|-----------|-------|---|
| Param No. | Characteristic | Sym | Min | Typ† | Max | Units | Conditions |
| D001 | Supply Voltage | VDD | 2.0 | — | 5.5 | V | |
| D002 | Standby Current | IDD | — | 0.4 | | mA | IARES = 1 |
| D003 | Standby Current | IPD | — | 25 | | μA | IARES = 0 |
| Input Low Voltage | | | | | | | |
| D004 | I/O ports TTL buffer | VIL | VSS | — | 0.15 VDD | V | For entire VDD range $4.5\text{V} \leq V_{\text{DD}} \leq 5.5\text{V}$ |
| D004A | | | VSS | — | 0.8V | | |
| D005 | Schmitt Trigger buffer | | VSS | — | 0.2 VDD | V | |
| Input High Voltage | | | | | | | |
| D006 | I/O ports TTL buffer | VIH | 2.0 | — | VDD | V | $4.5\text{V} \leq V_{\text{DD}} \leq 5.5\text{V}$ |
| D006A | | | $0.25 V_{\text{DD}} + 0.8\text{V}$ | — | VDD | V | For entire VDD range |
| D007 | Schmitt Trigger buffer | | $0.8 V_{\text{DD}}$ | — | VDD | V | For entire VDD range |
| Input Leakage Current | | | | | | | |
| D008 | I/O ports | IIL | — | — | ± 1.0 | μA | $V_{\text{SS}} \leq V_{\text{PIN}} \leq V_{\text{DD}}$, Pin at hi-impedance |
| D009 | CLK | | — | — | ± 5.0 | μA | $V_{\text{SS}} \leq V_{\text{PIN}} \leq V_{\text{DD}}$ |
| Output Low Voltage | | | | | | | |
| D010 | I/O Ports | VOL | — | — | 0.6 | V | $I_{\text{OL}} = 8.5 \text{ mA}$, $V_{\text{DD}} = 4.5\text{V}$ |
| Output High Voltage | | | | | | | |
| D010 | I/O Ports | VOH | $V_{\text{DD}} - 0.7$ | — | — | V | $I_{\text{OH}} = 3.0 \text{ mA}$, $V_{\text{DD}} = 4.5\text{V}$ |
| D011 | VDD start voltage to ensure internal POR signal | VPOR | — | VSS | — | V | |
| D012 | VDD rise rate to ensure internal POR signal | SVDD | 0.05 | - | — | V/ms | Note 1 |
| | DC Trip Point | VTPOR | 1.5 | 1.7 | 1.9 | V | DC Slow Ramp |
| D012 | VDD rise rate to ensure internal POR signal with PWRT enabled | SVDD | 0.05 | — | — | V/ms | Note 1 |
| | DC Current Draw | IPOR | — | 5.0 | — | μA | At 5.0V (1 μA/Volt typical) |

Note 1: These parameters are characterized but not tested.

2: Data in "Typ" column is at 5V, 25°C unless otherwise stated. These parameters are for design guidance only and are not tested.

3: Standby current is measured with all I/O in hi-impedance state and tied to VDD and VSS.

4: For RC CLK, current through REXT is not included. The current through the resistor can be estimated by the formula

$$I_r = V_{\text{DD}}/2 R_{\text{EXT}} \text{ (mA) with } R_{\text{EXT}} \text{ in kohm.}$$

5: Negative current is defined as coming out of the pin.

FIGURE 2-1: RESPONSE TIME

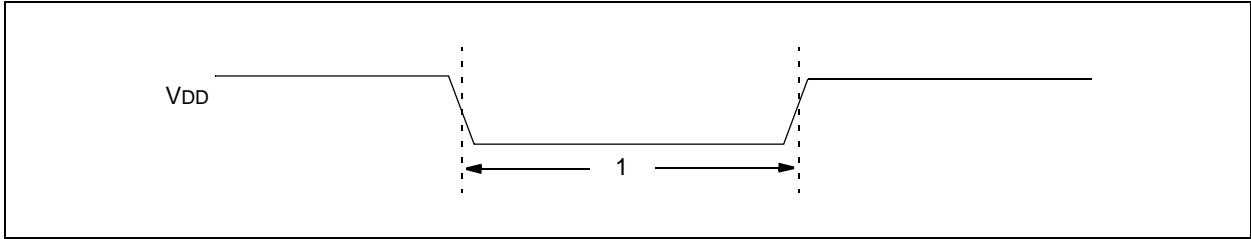


TABLE 2-2: RESPONSE TIME

| Parameter No. | Symbol | Characteristic | Min | Typ† | Max | Units | Conditions |
|---------------|--------|----------------|-----|------|-----|-------|--|
| 1 | | Response Time | 100 | — | — | ns | Minimum time where a VDD transition from 5.0V to 0.0V to 5.0V will cause a RESET. All times less than 100 ns will be filtered. |

FIGURE 2-2: TEST POINT CLOCK TIMING

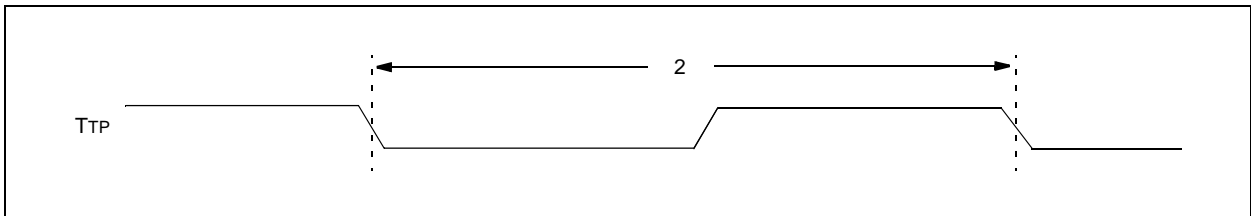


TABLE 2-3: TEST POINT CLOCK TIMING

| Parameter No. | Symbol | Characteristic | Min | Typ† | Max | Units | Conditions |
|---------------|--------|-------------------|-----|------|-----|-------|----------------------------------|
| | FTP | TP pin Frequency | — | 1.0 | — | MHz | Measured at TP pin, IARES = '1'. |
| 2 | TTP | TP pin CLK Period | — | 1.0 | — | μs | Measured at TP pin, IARES = '1'. |

† Data in "Typ" column is at 5V, +25°C unless otherwise stated. These parameters are for design guidance only and are not tested.

TABLE 2-4: POWER-UP TIMER REQUIREMENTS

| Parameter No. | Symbol | Characteristic | Min | Typ† | Max | Units | Conditions |
|---------------|--------|-----------------------|-----|------|-----|-------|------------|
| 3 | TPWRT | Power-up Timer Period | — | 72 | — | ms | |

† Data in "Typ" column is at 5V, +25°C unless otherwise stated. These parameters are for design guidance only and are not tested.

MCP23016

FIGURE 2-3: I²C BUS START/STOP BITS TIMING

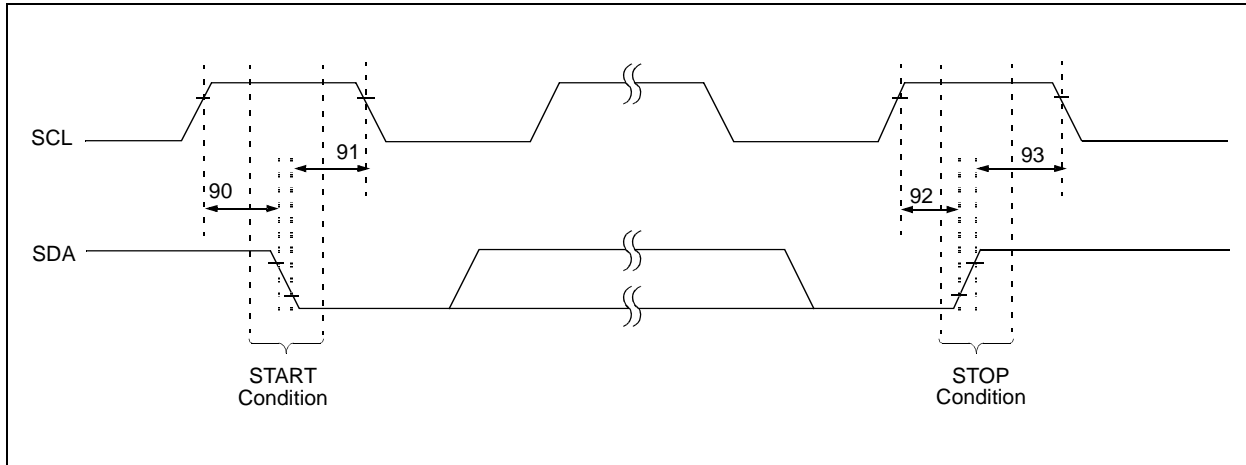
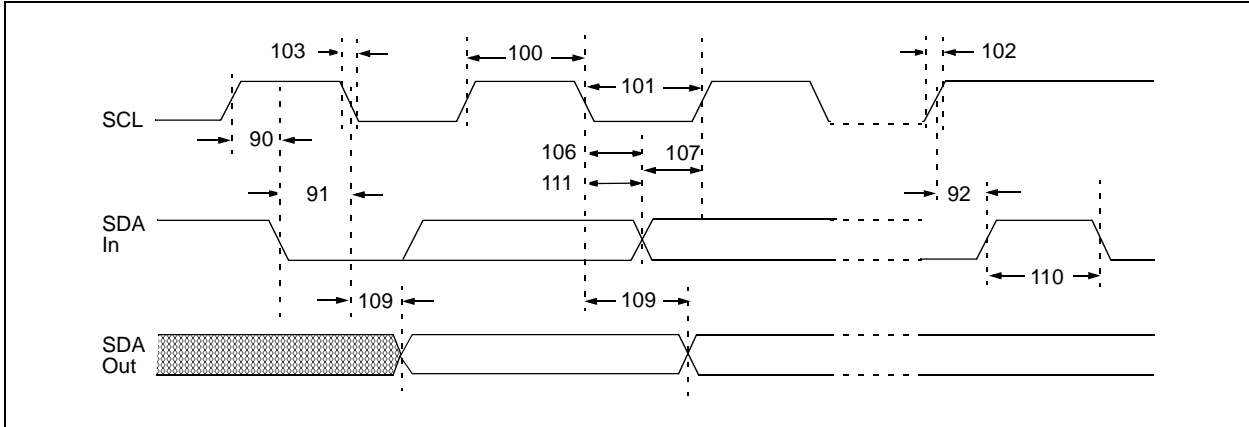


TABLE 2-5: I²C BUS START/STOP BITS REQUIREMENTS

| Param No. | Symbol | Characteristic | Min | Typ | Max | Units | Conditions | |
|-----------|---------|----------------------------|--------------|------|-----|-------|------------|---|
| 90 | TSU:STA | START condition Setup time | 100 kHz mode | 4700 | — | — | ns | Only relevant for Repeated START condition (Note 1) |
| | | | 400 kHz mode | 600 | — | — | | |
| 91 | THD:STA | START condition Hold time | 100 kHz mode | 4000 | — | — | ns | After this period, the first clock pulse is generated (Note 1) |
| | | | 400 kHz mode | 600 | — | — | | |
| 92 | TSU:STO | STOP condition Setup time | 100 kHz mode | 4700 | — | — | ns | |
| | | | 400 kHz mode | 600 | — | — | | |
| 93 | THD:STO | STOP condition Hold time | 100 kHz mode | 4000 | — | — | ns | |
| | | | 400 kHz mode | 600 | — | — | | |

Note 1: These parameters are characterized but not tested.

FIGURE 2-4: I²C BUS DATA TIMING



MCP23016

TABLE 2-5: I²C BUS DATA REQUIREMENTS

| Param No. | Symbol | Characteristic | Min | Max | Units | Conditions | |
|-----------|---------|-----------------------------------|--------------|-------------|-------|------------|--|
| 100 | THIGH | Clock High Time | 100 kHz mode | 4.0 | — | μs | (Note 1) |
| | | | 400 kHz mode | 0.6 | — | μs | |
| 101 | TLOW | Clock Low Time | 100 kHz mode | 4.7 | — | μs | (Note 1) |
| | | | 400 kHz mode | 1.3 | — | μs | |
| 102 | TR | SDA and SCL Rise Time | 100 kHz mode | — | 1000 | ns | (Note 1) CB is specified to be from 10 - 400 pF |
| | | | 400 kHz mode | 20 + 0.1 CB | 300 | ns | |
| 103 | TF | SDA and SCL Fall Time | 100 kHz mode | — | 300 | ns | (Note 1) CB is specified to be from 10 - 400 pF |
| | | | 400 kHz mode | 20 + 0.1 CB | 300 | ns | |
| 90 | TSU:STA | START Condition Setup Time | 100 kHz mode | 4.7 | — | μs | Only relevant for repeated START condition (Note 1) |
| | | | 400 kHz mode | 0.6 | — | μs | |
| 91 | THD:STA | START Condition Hold Time | 100 kHz mode | 4.0 | — | μs | After this period, the first clock pulse is generated (Note 1) |
| | | | 400 kHz mode | 0.6 | — | μs | |
| 106 | THD:DAT | Data Input Hold Time | 100 kHz mode | 0 | — | ns | (Note 1) |
| | | | 400 kHz mode | 0 | 0.9 | μs | |
| 107 | TSU:DAT | Data Input Setup Time | 100 kHz mode | 250 | — | ns | (Note 1) (Note 3) |
| | | | 400 kHz mode | 100 | — | ns | |
| 92 | TSU:STO | STOP Condition Setup Time | 100 kHz mode | 4.7 | — | μs | (Note 1) |
| | | | 400 kHz mode | 0.6 | — | μs | |
| 109 | TAA | Output Valid from Clock | 100 kHz mode | — | 3500 | ns | (Note 1) (Note 2) |
| | | | 400 kHz mode | — | — | ns | |
| 110 | TBUF | Bus Free Time | 100 kHz mode | 4.7 | — | μs | Time the bus must be free before a new transmission can start (Note 1) |
| | | | 400 kHz mode | 1.3 | — | μs | |
| | CB | Bus Capacitive Loading | — | 400 | pF | | |
| 111 | TWAIT | Clock wait time after ninth pulse | 100 kHz mode | 12 μs | — | μs | Time the bus must remain free after the ninth clock pulse before a new transmission can start. |
| | | | 400 kHz mode | 12 μs | — | μs | |

Note 1: These parameters are characterized but not tested.

2: As a transmitter, the device must provide this internal minimum delay time to bridge the undefined region (min. 300 ns) of the falling edge of SCL to avoid unintended generation of START or STOP conditions.

3: A Fast mode (400 kHz) I²C bus device can be used in a Standard mode (100 kHz) I²C bus system, but the requirement TSU:DAT ≥ 250 ns must then be met. This will automatically be the case if the device does not stretch the LOW period of the SCL signal. If such a device does stretch the LOW period of the SCL signal, it must output the next data bit to the SDA line TR max. + TSU:DAT = 1000 + 250 = 1250 ns (according to the Standard mode I²C bus specification), before the SCL line is released.

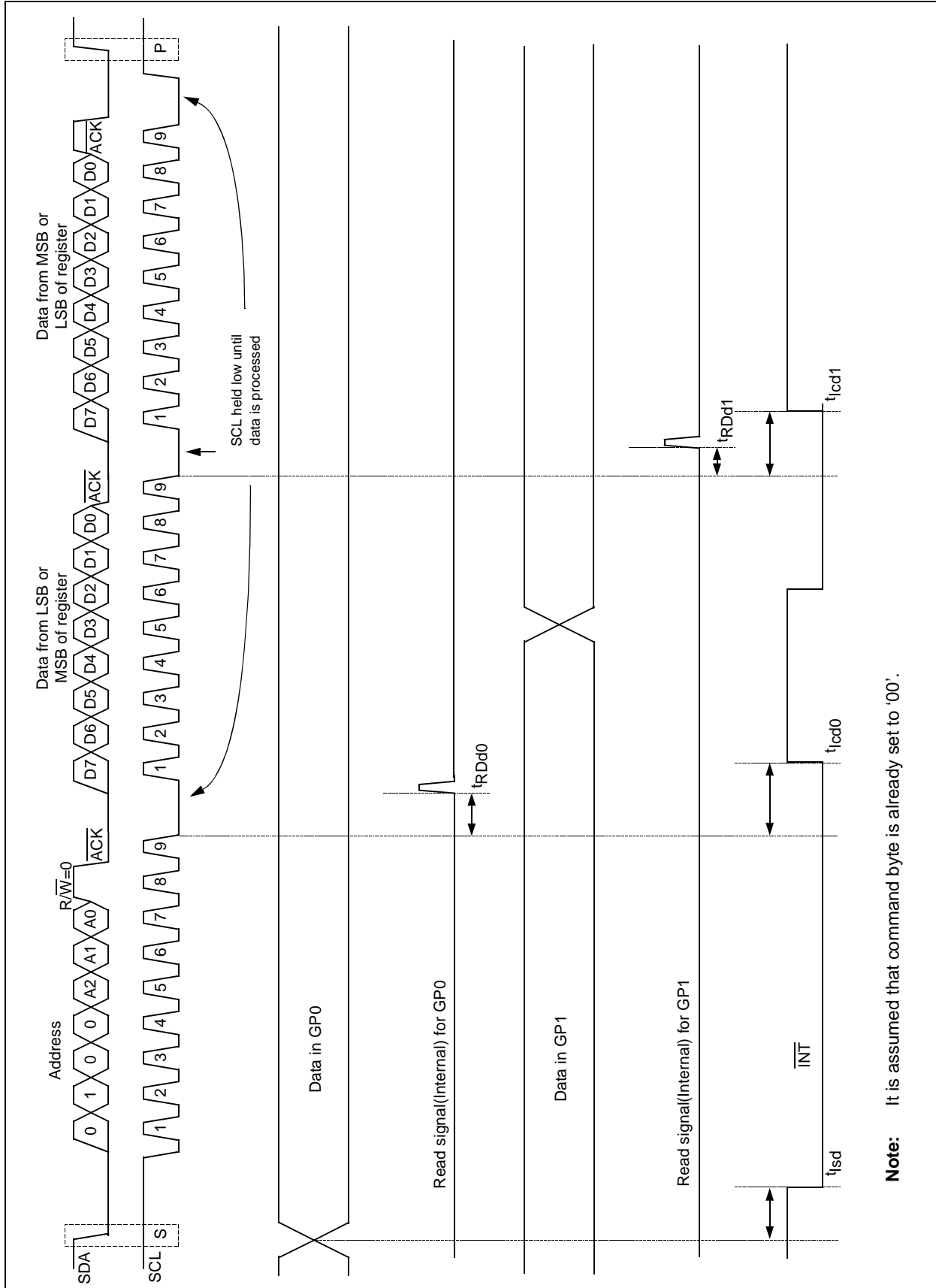
TABLE 2-7: GP0 AND GP1 TIMING REQUIREMENTS

| Param No. | Symbol | Characteristic | Min | Typ. | Max | Units | Conditions |
|-----------|-------------------|---|-----|------|-----|-------|-----------------------|
| | t _{GPV0} | GP0 output data valid time | — | 40 | — | μs | TP = 1 MHz |
| | t _{GPV1} | GP1 output data valid time | — | 50 | — | μs | |
| | t _{RDd0} | GP0 data read delay time | — | 40 | — | μs | |
| | t _{RDd1} | GP1 data read delay time | — | 50 | — | μs | |
| | t _{ISD0} | GP0 Interrupt set delay time | — | — | 200 | μs | IARES = 1, TP = 1 MHz |
| | | | — | — | 32 | ms | IARES = 0, TP = 1 MHz |
| | t _{ISD1} | GP1 Interrupt set delay time | — | — | 200 | μs | IARES = 1, TP = 1 MHz |
| | | | — | — | 32 | ms | IARES = 0, TP = 1 MHz |
| | t _{LCD0} | GP0 Interrupt clear delay time (for read) | — | 100 | — | μs | TP = 1 MHz |
| | t _{LCD1} | GP1 Interrupt clear delay time (for read) | — | 100 | — | μs | |

Note 1: These parameters are characterized but not tested.

MCP23016

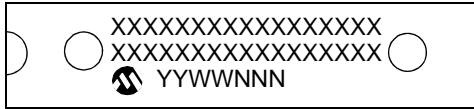
FIGURE 2-5: GP0 AND GP1 PORT TIMINGS



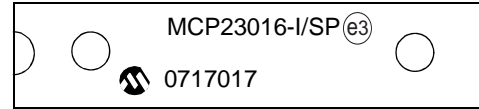
3.0 PACKAGE INFORMATION

3.1 Package Marking Information

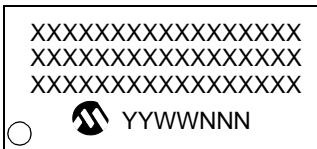
28-Lead PDIP (Skinny DIP)



Example:



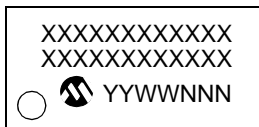
28-Lead SOIC



Example:



28-Lead SSOP



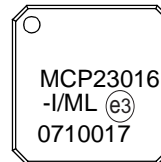
Example:



28-Lead QFN



Example:

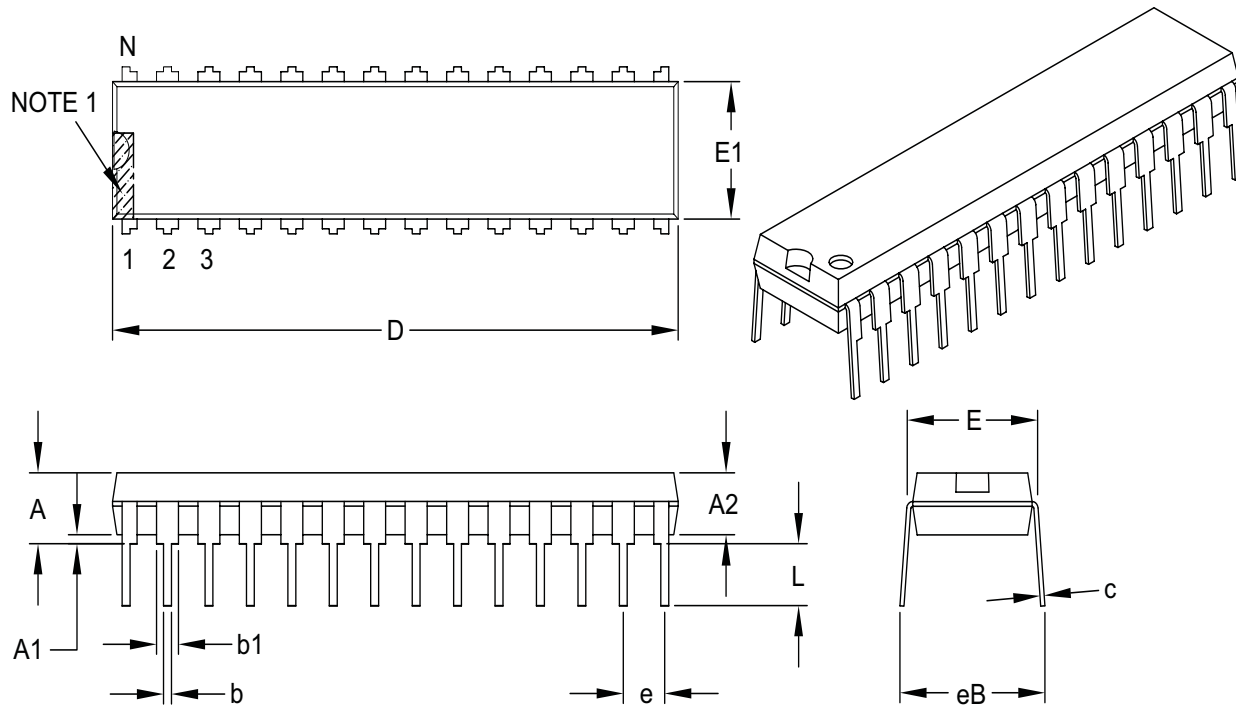


| | | |
|----------------|---|---|
| Legend: | XX...X | Customer-specific information |
| | Y | Year code (last digit of calendar year) |
| | YY | Year code (last 2 digits of calendar year) |
| | WW | Week code (week of January 1 is week '01') |
| | NNN | Alphanumeric traceability code |
| | * | Pb-free JEDEC designator for Matte Tin (Sn) |
| | e3 | This package is Pb-free. The Pb-free JEDEC designator () can be found on the outer packaging for this package. |
| | | e3 |
| Note: | In the event the full Microchip part number cannot be marked on one line, it will be carried over to the next line, thus limiting the number of available characters for customer-specific information. | |

MCP23016

28-Lead Skinny Plastic Dual In-Line (SP) – 300 mil Body [SPDIP]

Note: For the most current package drawings, please see the Microchip Packaging Specification located at <http://www.microchip.com/packaging>



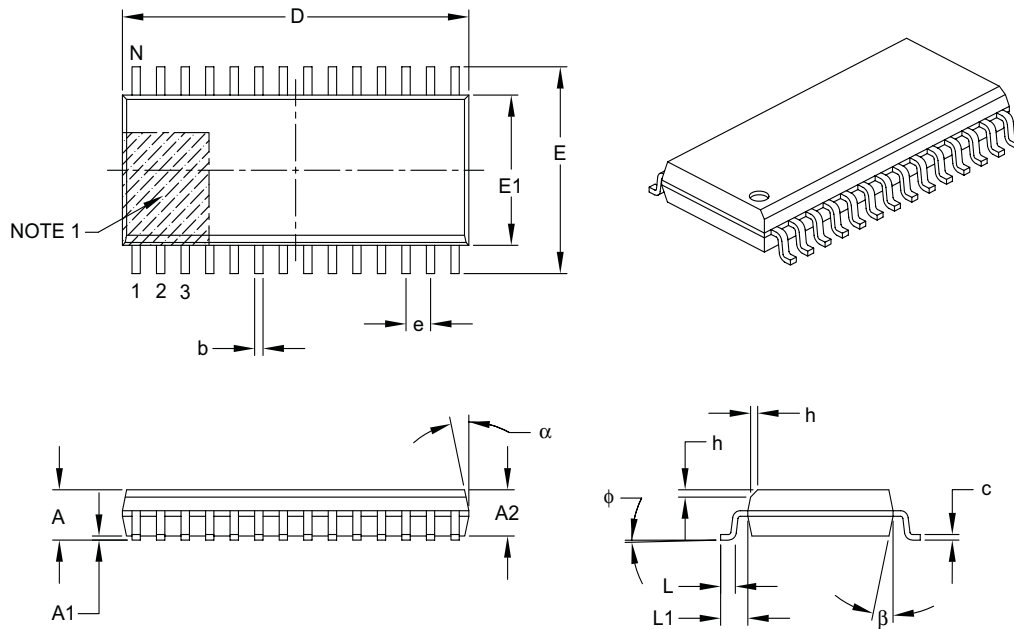
| | | Units | INCHES | | |
|----------------------------|----|------------------|----------|-------|-------|
| | | Dimension Limits | MIN | NOM | MAX |
| Number of Pins | N | | 28 | | |
| Pitch | e | | .100 BSC | | |
| Top to Seating Plane | A | | – | – | .200 |
| Molded Package Thickness | A2 | | .120 | .135 | .150 |
| Base to Seating Plane | A1 | | .015 | – | – |
| Shoulder to Shoulder Width | E | | .290 | .310 | .335 |
| Molded Package Width | E1 | | .240 | .285 | .295 |
| Overall Length | D | | 1.345 | 1.365 | 1.400 |
| Tip to Seating Plane | L | | .110 | .130 | .150 |
| Lead Thickness | c | | .008 | .010 | .015 |
| Upper Lead Width | b1 | | .040 | .050 | .070 |
| Lower Lead Width | b | | .014 | .018 | .022 |
| Overall Row Spacing § | eB | | – | – | .430 |

Notes:

- Pin 1 visual index feature may vary, but must be located within the hatched area.
- § Significant Characteristic.
- Dimensions D and E1 do not include mold flash or protrusions. Mold flash or protrusions shall not exceed .010" per side.
- Dimensioning and tolerancing per ASME Y14.5M.

28-Lead Plastic Small Outline (SO) – Wide, 7.50 mm Body [SOIC]

Note: For the most current package drawings, please see the Microchip Packaging Specification located at <http://www.microchip.com/packaging>



| Dimension Limits | Units | MILLIMETERS | | |
|--------------------------|----------|-------------|-----|------|
| | | MIN | NOM | MAX |
| Number of Pins | N | 28 | | |
| Pitch | e | 1.27 BSC | | |
| Overall Height | A | – | – | 2.65 |
| Molded Package Thickness | A2 | 2.05 | – | – |
| Standoff § | A1 | 0.10 | – | 0.30 |
| Overall Width | E | 10.30 BSC | | |
| Molded Package Width | E1 | 7.50 BSC | | |
| Overall Length | D | 17.90 BSC | | |
| Chamfer (optional) | h | 0.25 | – | 0.75 |
| Foot Length | L | 0.40 | – | 1.27 |
| Footprint | L1 | 1.40 REF | | |
| Foot Angle Top | ϕ | 0° | – | 8° |
| Lead Thickness | c | 0.18 | – | 0.33 |
| Lead Width | b | 0.31 | – | 0.51 |
| Mold Draft Angle Top | α | 5° | – | 15° |
| Mold Draft Angle Bottom | β | 5° | – | 15° |

Notes:

- Pin 1 visual index feature may vary, but must be located within the hatched area.
- § Significant Characteristic.
- Dimensions D and E1 do not include mold flash or protrusions. Mold flash or protrusions shall not exceed 0.15 mm per side.
- Dimensioning and tolerancing per ASME Y14.5M.

BSC: Basic Dimension. Theoretically exact value shown without tolerances.

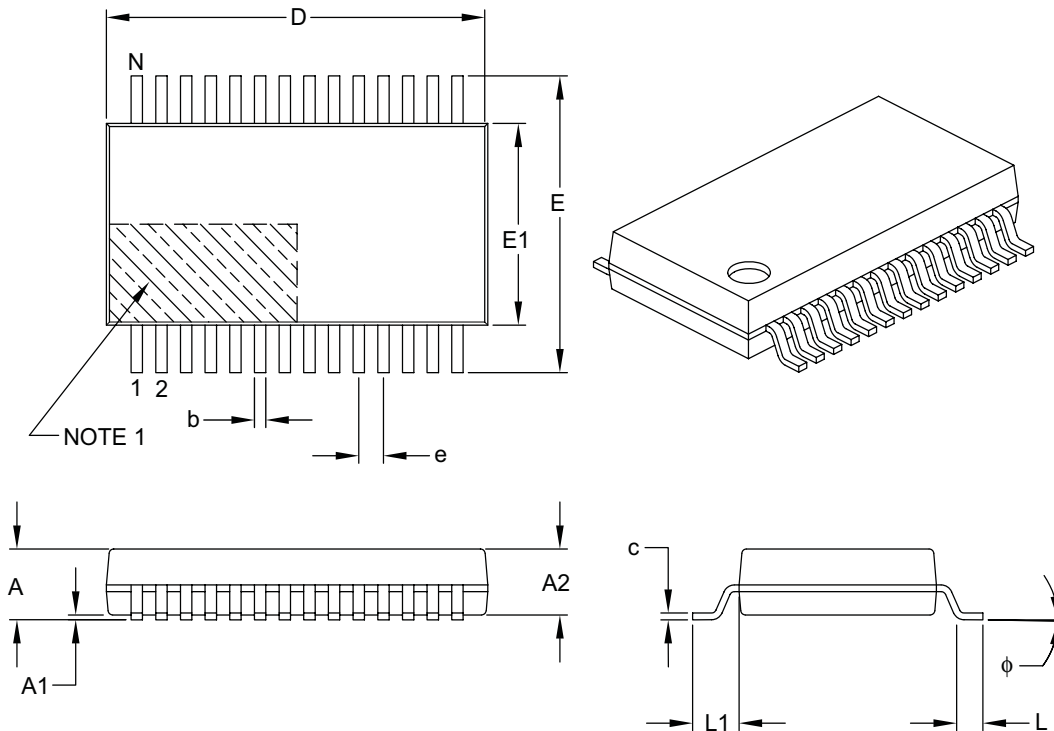
REF: Reference Dimension, usually without tolerance, for information purposes only.

Microchip Technology Drawing C04-052B

MCP23016

28-Lead Plastic Shrink Small Outline (SS) – 5.30 mm Body [SSOP]

Note: For the most current package drawings, please see the Microchip Packaging Specification located at <http://www.microchip.com/packaging>



| Dimension Limits | Units | MILLIMETERS | | |
|--------------------------|--------|-------------|-------|-------|
| | | MIN | NOM | MAX |
| Number of Pins | N | 28 | | |
| Pitch | e | 0.65 BSC | | |
| Overall Height | A | – | – | 2.00 |
| Molded Package Thickness | A2 | 1.65 | 1.75 | 1.85 |
| Standoff | A1 | 0.05 | – | – |
| Overall Width | E | 7.40 | 7.80 | 8.20 |
| Molded Package Width | E1 | 5.00 | 5.30 | 5.60 |
| Overall Length | D | 9.90 | 10.20 | 10.50 |
| Foot Length | L | 0.55 | 0.75 | 0.95 |
| Footprint | L1 | 1.25 REF | | |
| Lead Thickness | c | 0.09 | – | 0.25 |
| Foot Angle | ϕ | 0° | 4° | 8° |
| Lead Width | b | 0.22 | – | 0.38 |

Notes:

- Pin 1 visual index feature may vary, but must be located within the hatched area.
- Dimensions D and E1 do not include mold flash or protrusions. Mold flash or protrusions shall not exceed 0.20 mm per side.
- Dimensioning and tolerancing per ASME Y14.5M.

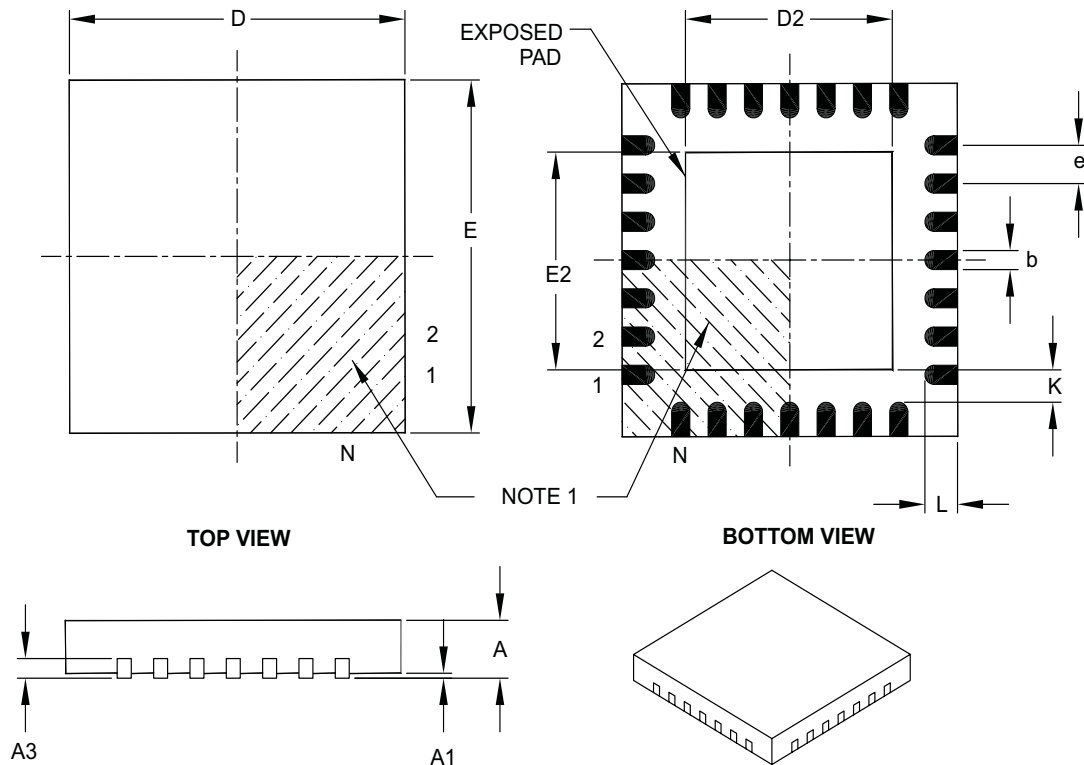
BSC: Basic Dimension. Theoretically exact value shown without tolerances.

REF: Reference Dimension, usually without tolerance, for information purposes only.

Microchip Technology Drawing C04-073B

28-Lead Plastic Quad Flat, No Lead Package (ML) – 6x6 mm Body [QFN] with 0.55 mm Contact Length

Note: For the most current package drawings, please see the Microchip Packaging Specification located at <http://www.microchip.com/packaging>



| Dimension Limits | Units | MILLIMETERS | | |
|------------------------|-------|-------------|------|------|
| | | MIN | NOM | MAX |
| Number of Pins | N | 28 | | |
| Pitch | e | 0.65 BSC | | |
| Overall Height | A | 0.80 | 0.90 | 1.00 |
| Standoff | A1 | 0.00 | 0.02 | 0.05 |
| Contact Thickness | A3 | 0.20 REF | | |
| Overall Width | E | 6.00 BSC | | |
| Exposed Pad Width | E2 | 3.65 | 3.70 | 4.20 |
| Overall Length | D | 6.00 BSC | | |
| Exposed Pad Length | D2 | 3.65 | 3.70 | 4.20 |
| Contact Width | b | 0.23 | 0.30 | 0.35 |
| Contact Length | L | 0.50 | 0.55 | 0.70 |
| Contact-to-Exposed Pad | K | 0.20 | – | – |

Notes:

- Pin 1 visual index feature may vary, but must be located within the hatched area.
- Package is saw singulated.
- Dimensioning and tolerancing per ASME Y14.5M.

BSC: Basic Dimension. Theoretically exact value shown without tolerances.

REF: Reference Dimension, usually without tolerance, for information purposes only.

Microchip Technology Drawing C04-105B

MCP23016

NOTES:

APPENDIX A: REVISION HISTORY

Revision A (December 2002)

Original data sheet for MCP23016 device.

Revision B (September 2003)

1. Addition of Output Low Voltage section to Table 2-1 in Electrical Characteristics.
2. Addition of Output High Voltage section to Table 2-1 in Electrical Characteristics.

Revision C (January 2007)

This revision includes updates to the packaging diagrams.

MCP23016

NOTES:

PRODUCT IDENTIFICATION SYSTEM

To order or obtain information (e.g., on pricing or delivery) refer to the factory or the listed sales office.

| <u>PART NO.</u> | <u>X</u> | <u>/XX</u> |
|--------------------|---|------------|
| Device | Temperature Range | Package |
| Device: | DSTEMP: 16-Bit I ² C I/O Expander | |
| Temperature Range: | I = -40°C to +85°C | |
| Package: | SP = Plastic DIP (300 mil Body), 28-lead SO = Plastic SOIC, Wide (300 mil Body), 28-lead SS = Plastic SOIC, (209 mil, 5.30mm), 28-lead ML = Plastic Quad, Flat No Leads (QFN), 28-lead | |

Examples:

- a) DSTEMP-I/P: Industrial Temperature, PDIP package.
- a) DSTEMP-I/SO: Industrial Temperature, SOIC package.
- a) DSTEMP-I/SS: Industrial Temperature, SOIC package.
- a) DSTEMP-I/ML: Industrial Temperature, QFN package.

MCP23016

NOTES:

Note the following details of the code protection feature on Microchip devices:

- Microchip products meet the specification contained in their particular Microchip Data Sheet.
- Microchip believes that its family of products is one of the most secure families of its kind on the market today, when used in the intended manner and under normal conditions.
- There are dishonest and possibly illegal methods used to breach the code protection feature. All of these methods, to our knowledge, require using the Microchip products in a manner outside the operating specifications contained in Microchip's Data Sheets. Most likely, the person doing so is engaged in theft of intellectual property.
- Microchip is willing to work with the customer who is concerned about the integrity of their code.
- Neither Microchip nor any other semiconductor manufacturer can guarantee the security of their code. Code protection does not mean that we are guaranteeing the product as "unbreakable."

Code protection is constantly evolving. We at Microchip are committed to continuously improving the code protection features of our products. Attempts to break Microchip's code protection feature may be a violation of the Digital Millennium Copyright Act. If such acts allow unauthorized access to your software or other copyrighted work, you may have a right to sue for relief under that Act.

Information contained in this publication regarding device applications and the like is provided only for your convenience and may be superseded by updates. It is your responsibility to ensure that your application meets with your specifications. MICROCHIP MAKES NO REPRESENTATIONS OR WARRANTIES OF ANY KIND WHETHER EXPRESS OR IMPLIED, WRITTEN OR ORAL, STATUTORY OR OTHERWISE, RELATED TO THE INFORMATION, INCLUDING BUT NOT LIMITED TO ITS CONDITION, QUALITY, PERFORMANCE, MERCHANTABILITY OR FITNESS FOR PURPOSE. Microchip disclaims all liability arising from this information and its use. Use of Microchip devices in life support and/or safety applications is entirely at the buyer's risk, and the buyer agrees to defend, indemnify and hold harmless Microchip from any and all damages, claims, suits, or expenses resulting from such use. No licenses are conveyed, implicitly or otherwise, under any Microchip intellectual property rights.

Trademarks

The Microchip name and logo, the Microchip logo, Accuron, dsPIC, KEELOQ, microID, MPLAB, PIC, PICmicro, PICSTART, PRO MATE, PowerSmart, rPIC, and SmartShunt are registered trademarks of Microchip Technology Incorporated in the U.S.A. and other countries.


AmpLab, FilterLab, Migratable Memory, MXDEV, MXLAB, SEEVAL, SmartSensor and The Embedded Control Solutions Company are registered trademarks of Microchip Technology Incorporated in the U.S.A.

Analog-for-the-Digital Age, Application Maestro, CodeGuard, dsPICDEM, dsPICDEM.net, dsPICworks, ECAN, ECONOMONITOR, FanSense, FlexROM, fuzzyLAB, In-Circuit Serial Programming, ICSP, ICEPIC, Linear Active Thermistor, Mindi, MiWi, MPASM, MPLIB, MPLINK, PICkit, PICDEM, PICDEM.net, PICLAB, PICtail, PowerCal, PowerInfo, PowerMate, PowerTool, REAL ICE, rLAB, rPICDEM, Select Mode, Smart Serial, SmartTel, Total Endurance, UNI/O, WiperLock and ZENA are trademarks of Microchip Technology Incorporated in the U.S.A. and other countries.

SQTP is a service mark of Microchip Technology Incorporated in the U.S.A.

All other trademarks mentioned herein are property of their respective companies.

© 2007, Microchip Technology Incorporated, Printed in the U.S.A., All Rights Reserved.

 Printed on recycled paper.

QUALITY MANAGEMENT SYSTEM
CERTIFIED BY DNV
== ISO/TS 16949:2002 ==

Microchip received ISO/TS-16949:2002 certification for its worldwide headquarters, design and wafer fabrication facilities in Chandler and Tempe, Arizona, Gresham, Oregon and Mountain View, California. The Company's quality system processes and procedures are for its PIC[®] MCUs and dsPIC DSCs, KEELOQ[®] code hopping devices, Serial EEPROMs, microperipherals, nonvolatile memory and analog products. In addition, Microchip's quality system for the design and manufacture of development systems is ISO 9001:2000 certified.



WORLDWIDE SALES AND SERVICE

AMERICAS

Corporate Office
2355 West Chandler Blvd.
Chandler, AZ 85224-6199
Tel: 480-792-7200
Fax: 480-792-7277
Technical Support:
<http://support.microchip.com>
Web Address:
www.microchip.com

Atlanta
Duluth, GA
Tel: 678-957-9614
Fax: 678-957-1455

Boston
Westborough, MA
Tel: 774-760-0087
Fax: 774-760-0088

Chicago
Itasca, IL
Tel: 630-285-0071
Fax: 630-285-0075

Dallas
Addison, TX
Tel: 972-818-7423
Fax: 972-818-2924

Detroit
Farmington Hills, MI
Tel: 248-538-2250
Fax: 248-538-2260

Kokomo
Kokomo, IN
Tel: 765-864-8360
Fax: 765-864-8387

Los Angeles
Mission Viejo, CA
Tel: 949-462-9523
Fax: 949-462-9608

Santa Clara
Santa Clara, CA
Tel: 408-961-6444
Fax: 408-961-6445

Toronto
Mississauga, Ontario,
Canada
Tel: 905-673-0699
Fax: 905-673-6509

ASIA/PACIFIC

Asia Pacific Office
Suites 3707-14, 37th Floor
Tower 6, The Gateway
Harbour City, Kowloon
Hong Kong
Tel: 852-2401-1200
Fax: 852-2401-3431

Australia - Sydney
Tel: 61-2-9868-6733
Fax: 61-2-9868-6755

China - Beijing
Tel: 86-10-8528-2100
Fax: 86-10-8528-2104

China - Chengdu
Tel: 86-28-8665-5511
Fax: 86-28-8665-7889

China - Fuzhou
Tel: 86-591-8750-3506
Fax: 86-591-8750-3521

China - Hong Kong SAR
Tel: 852-2401-1200
Fax: 852-2401-3431

China - Qingdao
Tel: 86-532-8502-7355
Fax: 86-532-8502-7205

China - Shanghai
Tel: 86-21-5407-5533
Fax: 86-21-5407-5066

China - Shenyang
Tel: 86-24-2334-2829
Fax: 86-24-2334-2393

China - Shenzhen
Tel: 86-755-8203-2660
Fax: 86-755-8203-1760

China - Shunde
Tel: 86-757-2839-5507
Fax: 86-757-2839-5571

China - Wuhan
Tel: 86-27-5980-5300
Fax: 86-27-5980-5118

China - Xian
Tel: 86-29-8833-7250
Fax: 86-29-8833-7256

ASIA/PACIFIC

India - Bangalore
Tel: 91-80-4182-8400
Fax: 91-80-4182-8422

India - New Delhi
Tel: 91-11-4160-8631
Fax: 91-11-4160-8632

India - Pune
Tel: 91-20-2566-1512
Fax: 91-20-2566-1513

Japan - Yokohama
Tel: 81-45-471-6166
Fax: 81-45-471-6122

Korea - Gumi
Tel: 82-54-473-4301
Fax: 82-54-473-4302

Korea - Seoul
Tel: 82-2-554-7200
Fax: 82-2-558-5932 or
82-2-558-5934

Malaysia - Penang
Tel: 60-4-646-8870
Fax: 60-4-646-5086

Philippines - Manila
Tel: 63-2-634-9065
Fax: 63-2-634-9069

Singapore
Tel: 65-6334-8870
Fax: 65-6334-8850

Taiwan - Hsin Chu
Tel: 886-3-572-9526
Fax: 886-3-572-6459

Taiwan - Kaohsiung
Tel: 886-7-536-4818
Fax: 886-7-536-4803

Taiwan - Taipei
Tel: 886-2-2500-6610
Fax: 886-2-2508-0102

Thailand - Bangkok
Tel: 66-2-694-1351
Fax: 66-2-694-1350

EUROPE

Austria - Wels
Tel: 43-7242-2244-39
Fax: 43-7242-2244-393

Denmark - Copenhagen
Tel: 45-4450-2828
Fax: 45-4485-2829

France - Paris
Tel: 33-1-69-53-63-20
Fax: 33-1-69-30-90-79

Germany - Munich
Tel: 49-89-627-144-0
Fax: 49-89-627-144-44

Italy - Milan
Tel: 39-0331-742611
Fax: 39-0331-466781

Netherlands - Drunen
Tel: 31-416-690399
Fax: 31-416-690340

Spain - Madrid
Tel: 34-91-708-08-90
Fax: 34-91-708-08-91

UK - Wokingham
Tel: 44-118-921-5869
Fax: 44-118-921-5820