

MC34167, MC33167

5.0 A, Step-Up/Down/Inverting Switching Regulators

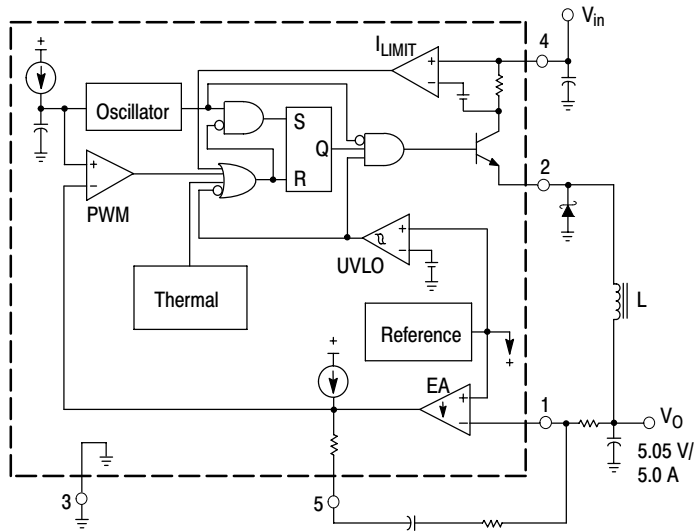
The MC34167, MC33167 series are high performance fixed frequency power switching regulators that contain the primary functions required for dc-to-dc converters. This series was specifically designed to be incorporated in step-down and voltage-inverting configurations with a minimum number of external components and can also be used cost effectively in step-up applications.

These devices consist of an internal temperature compensated reference, fixed frequency oscillator with on-chip timing components, latching pulse width modulator for single pulse metering, high gain error amplifier, and a high current output switch.

Protective features consist of cycle-by-cycle current limiting, undervoltage lockout, and thermal shutdown. Also included is a low power standby mode that reduces power supply current to 36 μ A.

Features

- Output Switch Current in Excess of 5.0 A
- Fixed Frequency Oscillator (72 kHz) with On-Chip Timing
- Provides 5.05 V Output without External Resistor Divider
- Precision 2% Reference
- 0% to 95% Output Duty Cycle
- Cycle-by-Cycle Current Limiting
- Undervoltage Lockout with Hysteresis
- Internal Thermal Shutdown
- Operation from 7.5 V to 40 V
- Standby Mode Reduces Power Supply Current to 36 μ A
- Economical 5-Lead TO-220 Package with Two Optional Leadforms
- Also Available in Surface Mount D²PAK Package
- Moisture Sensitivity Level (MSL) Equals 1
- Pb-Free Packages are Available



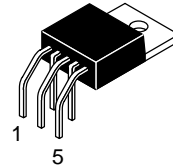
This device contains 143 active transistors.
Figure 1. Simplified Block Diagram
 (Step Down Application)



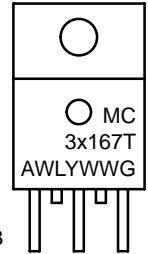
ON Semiconductor®

<http://onsemi.com>

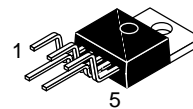
MARKING DIAGRAMS



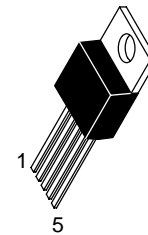
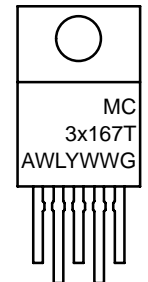
**TO-220
TH SUFFIX
CASE 314A**



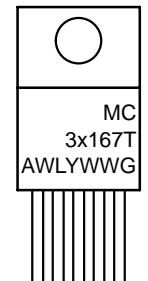
Heatsink surface connected to Pin 3



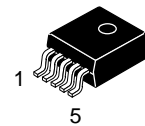
**TO-220
TV SUFFIX
CASE 314B**



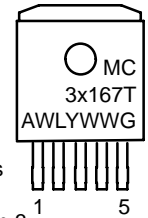
**TO-220
T SUFFIX
CASE 314D**



- Pin
1. Voltage Feedback Input
 2. Switch Output
 3. Ground
 4. Input Voltage/ V_{CC}
 5. Compensation/Standby



**D²PAK
D2T SUFFIX
CASE 936A**



Heatsink surface (shown as terminal 6 in case outline drawing) is connected to Pin 3

- x = 3 or 4
- A = Assembly Location
- WL = Wafer Lot
- Y = Year
- WW = Work Week
- G = Pb-Free Package

ORDERING INFORMATION

See detailed ordering and shipping information in the package dimensions section on page 17 of this data sheet.

MC34167, MC33167

MAXIMUM RATINGS (Note 1 and 2)

| Rating | Symbol | Value | Unit |
|--|------------------------|--------------------|---------------------------|
| Power Supply Input Voltage | V_{CC} | 40 | V |
| Switch Output Voltage Range | $V_{O(\text{switch})}$ | -2.0 to + V_{in} | V |
| Voltage Feedback and Compensation Input Voltage Range | V_{FB}, V_{Comp} | -1.0 to + 7.0 | V |
| Power Dissipation | | | |
| Case 314A, 314B and 314D ($T_A = +25^\circ\text{C}$) | P_D | Internally Limited | W |
| Thermal Resistance, Junction-to-Ambient | θ_{JA} | 65 | $^\circ\text{C}/\text{W}$ |
| Thermal Resistance, Junction-to-Case | θ_{JC} | 5.0 | $^\circ\text{C}/\text{W}$ |
| Case 936A (D ² PAK) ($T_A = +25^\circ\text{C}$) | P_D | Internally Limited | W |
| Thermal Resistance, Junction-to-Ambient | θ_{JA} | 70 | $^\circ\text{C}/\text{W}$ |
| Thermal Resistance, Junction-to-Case | θ_{JC} | 5.0 | $^\circ\text{C}/\text{W}$ |
| Operating Junction Temperature | T_J | +150 | $^\circ\text{C}$ |
| Operating Ambient Temperature (Note 3) | T_A | | $^\circ\text{C}$ |
| MC34167 | | 0 to + 70 | |
| MC33167 | | - 40 to + 85 | |
| Storage Temperature Range | T_{stg} | - 65 to +150 | $^\circ\text{C}$ |

Maximum ratings are those values beyond which device damage can occur. Maximum ratings applied to the device are individual stress limit values (not normal operating conditions) and are not valid simultaneously. If these limits are exceeded, device functional operation is not implied, damage may occur and reliability may be affected.

- Maximum package power dissipation limits must be observed to prevent thermal shutdown activation.
- This device series contains ESD protection and exceeds the following tests:
Human Body Model 2000 V per MIL-STD-883, Method 3015.
Machine Model Method 200 V.
- $T_{low} = 0^\circ\text{C}$ for MC34167 $T_{high} = + 70^\circ\text{C}$ for MC34167
 $= - 40^\circ\text{C}$ for MC33167 $= + 85^\circ\text{C}$ for MC33167

MC34167, MC33167

ELECTRICAL CHARACTERISTICS ($V_{CC} = 12\text{ V}$, for typical values $T_A = +25^\circ\text{C}$, for min/max values T_A is the operating ambient temperature range that applies (Notes 4, 5), unless otherwise noted.)

| Characteristic | Symbol | Min | Typ | Max | Unit |
|----------------|--------|-----|-----|-----|------|
|----------------|--------|-----|-----|-----|------|

OSCILLATOR

| | | | | | | |
|--|--|-----------|----------|---------|----------|-----|
| Frequency ($V_{CC} = 7.5\text{ V to }40\text{ V}$) | $T_A = +25^\circ\text{C}$ $T_A = T_{low}$ to T_{high} | f_{OSC} | 65 62 | 72 – | 79 81 | kHz |
|--|--|-----------|----------|---------|----------|-----|

ERROR AMPLIFIER

| | | | | | | |
|--|---|----------------------|--------------|------------|--------------|---------------|
| Voltage Feedback Input Threshold | $T_A = +25^\circ\text{C}$ $T_A = T_{low}$ to T_{high} | $V_{FB(th)}$ | 4.95 4.85 | 5.05 – | 5.15 5.20 | V |
| Line Regulation ($V_{CC} = 7.5\text{ V to }40\text{ V}$, $T_A = +25^\circ\text{C}$) | | Reg_{line} | – | 0.03 | 0.078 | %/V |
| Input Bias Current ($V_{FB} = V_{FB(th)} + 0.15\text{ V}$) | | I_{IB} | – | 0.15 | 1.0 | μA |
| Power Supply Rejection Ratio ($V_{CC} = 10\text{ V to }20\text{ V}$, $f = 120\text{ Hz}$) | | PSRR | 60 | 80 | – | dB |
| Output Voltage Swing | High State ($I_{Source} = 75\ \mu\text{A}$, $V_{FB} = 4.5\text{ V}$) Low State ($I_{Sink} = 0.4\text{ mA}$, $V_{FB} = 5.5\text{ V}$) | V_{OH} V_{OL} | 4.2 – | 4.9 1.6 | – 1.9 | V |

PWM COMPARATOR

| | | | | | | |
|---------------------------------------|--|------------------------------|---------|---------|----------|---|
| Duty Cycle ($V_{CC} = 20\text{ V}$) | Maximum ($V_{FB} = 0\text{ V}$) Minimum ($V_{Comp} = 1.9\text{ V}$) | $DC_{(max)}$ $DC_{(min)}$ | 92 0 | 95 0 | 100 0 | % |
|---------------------------------------|--|------------------------------|---------|---------|----------|---|

SWITCH OUTPUT

| | | | | | | |
|---|--|------------------|--------|--------------------|--------------------|---------------|
| Output Voltage Source Saturation ($V_{CC} = 7.5\text{ V}$, $I_{Source} = 5.0\text{ A}$) | | V_{sat} | – | ($V_{CC} - 1.5$) | ($V_{CC} - 1.8$) | V |
| Off-State Leakage ($V_{CC} = 40\text{ V}$, Pin 2 = GND) | | $I_{sw(off)}$ | – | 0 | 100 | μA |
| Current Limit Threshold ($V_{CC} = 7.5\text{ V}$) | | $I_{pk(switch)}$ | 5.5 | 6.5 | 8.0 | A |
| Switching Times ($V_{CC} = 40\text{ V}$, $I_{pk} = 5.0\text{ A}$, $L = 225\ \mu\text{H}$, $T_A = +25^\circ\text{C}$) | | t_r t_f | – – | 100 50 | 200 100 | ns |

UNDERVOLTAGE LOCKOUT

| | | | | | | |
|--|--|----------------|-----|-----|-----|---|
| Startup Threshold (V_{CC} Increasing, $T_A = +25^\circ\text{C}$) | | $V_{th(UVLO)}$ | 5.5 | 5.9 | 6.3 | V |
| Hysteresis (V_{CC} Decreasing, $T_A = +25^\circ\text{C}$) | | $V_{H(UVLO)}$ | 0.6 | 0.9 | 1.2 | V |

TOTAL DEVICE

| | | | | | | |
|--|--|----------|---|----|-----|---------------|
| Power Supply Current ($T_A = +25^\circ\text{C}$) | | I_{CC} | – | 36 | 100 | μA |
| Standby ($V_{CC} = 12\text{ V}$, $V_{Comp} < 0.15\text{ V}$) | | | – | 40 | 60 | mA |
| Operating ($V_{CC} = 40\text{ V}$, Pin 1 = GND for maximum duty cycle) | | | – | 40 | 60 | mA |

4. Low duty cycle pulse techniques are used during test to maintain junction temperature as close to ambient as possible.
 5. $T_{low} = 0^\circ\text{C}$ for MC34167 $T_{high} = +70^\circ\text{C}$ for MC34167
 $= -40^\circ\text{C}$ for MC33167 $= +85^\circ\text{C}$ for MC33167

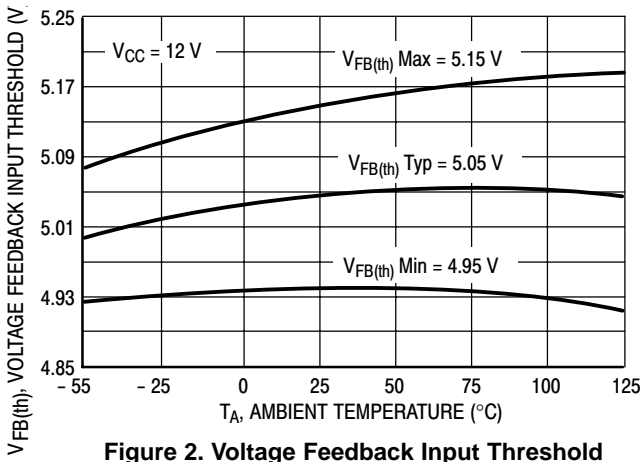


Figure 2. Voltage Feedback Input Threshold versus Temperature

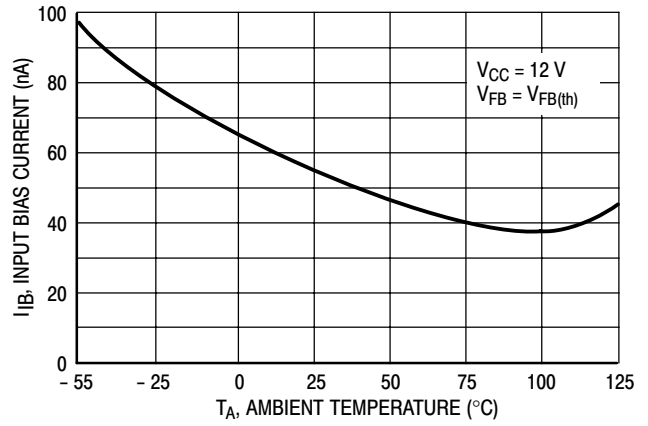


Figure 3. Voltage Feedback Input Bias Current versus Temperature

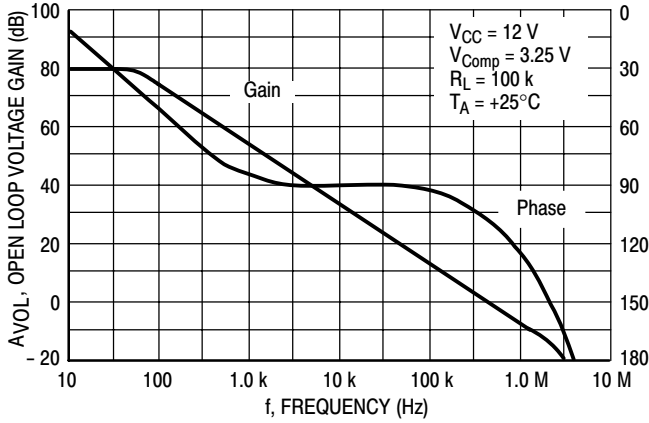


Figure 4. Error Amp Open Loop Gain and Phase versus Frequency

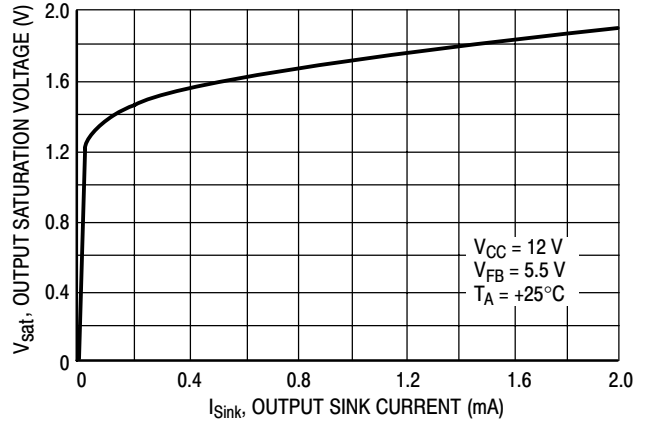


Figure 5. Error Amp Output Saturation versus Sink Current

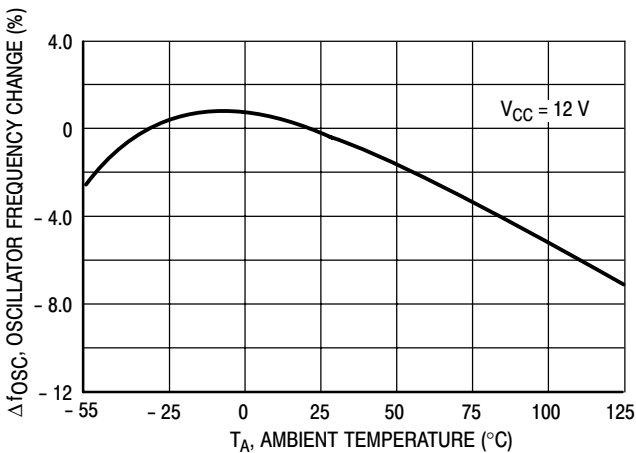


Figure 6. Oscillator Frequency Change versus Temperature

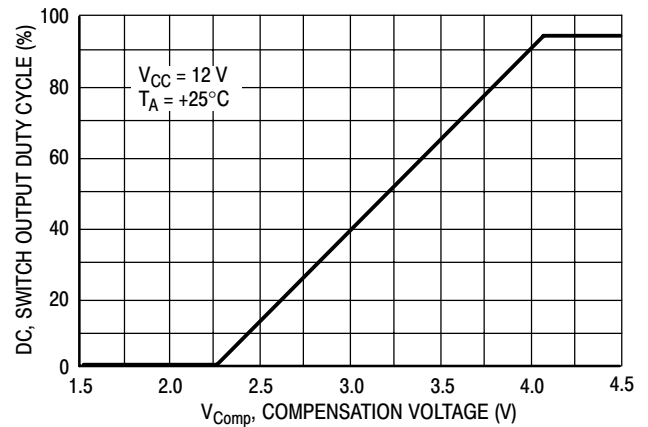


Figure 7. Switch Output Duty Cycle versus Compensation Voltage

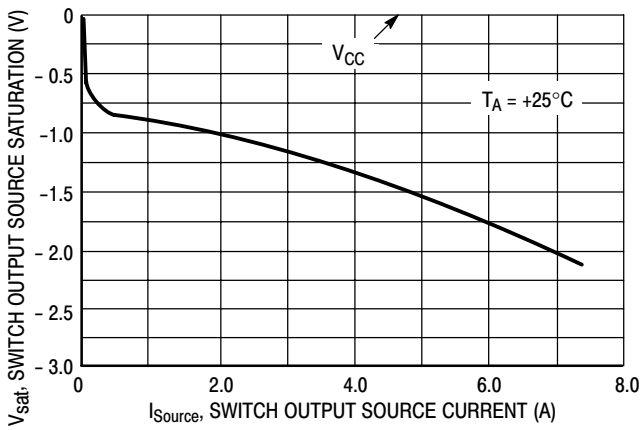


Figure 8. Switch Output Source Saturation versus Source Current

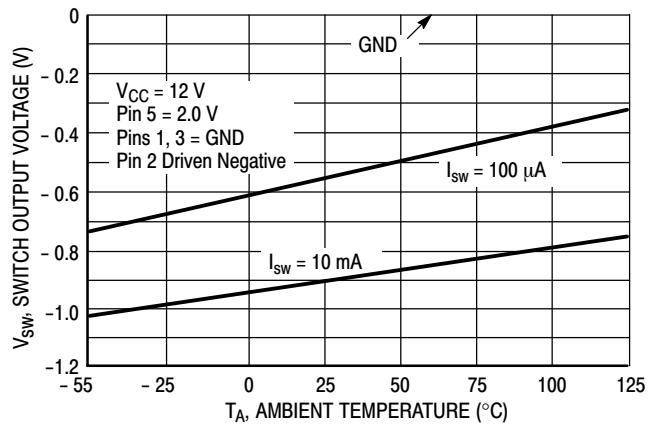


Figure 9. Negative Switch Output Voltage versus Temperature

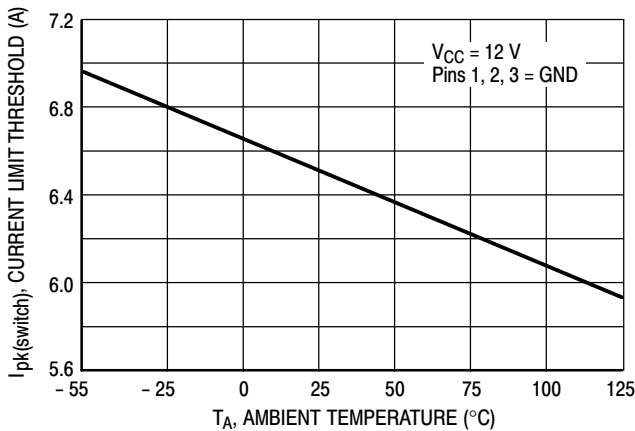


Figure 10. Switch Output Current Limit Threshold versus Temperature

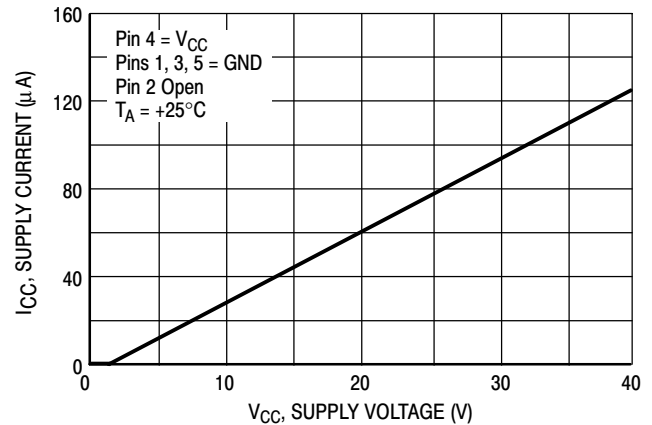


Figure 11. Standby Supply Current versus Supply Voltage

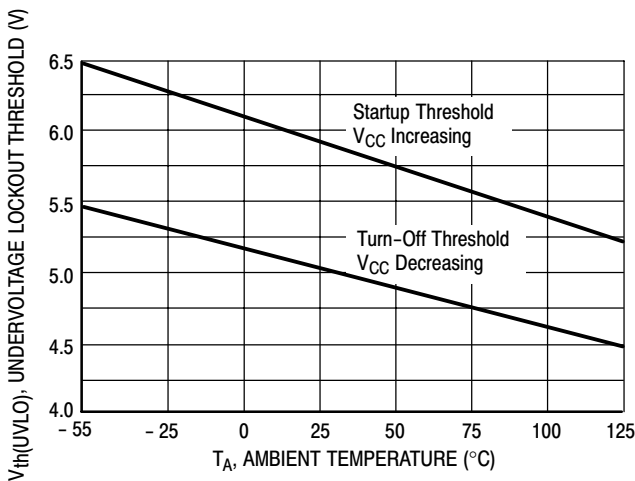


Figure 12. Undervoltage Lockout Thresholds versus Temperature

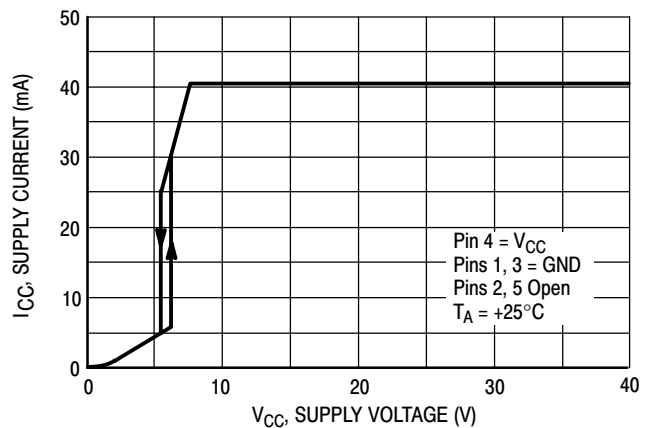


Figure 13. Operating Supply Current versus Supply Voltage

MC34167, MC33167

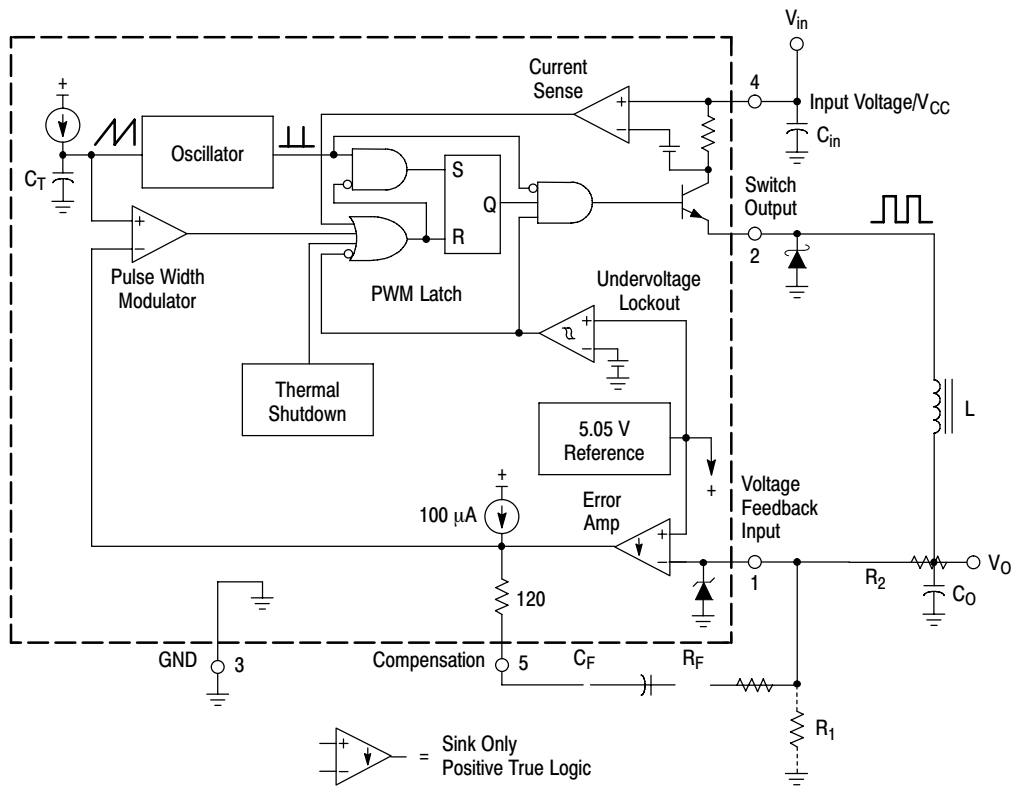


Figure 14. MC34167 Representative Block Diagram

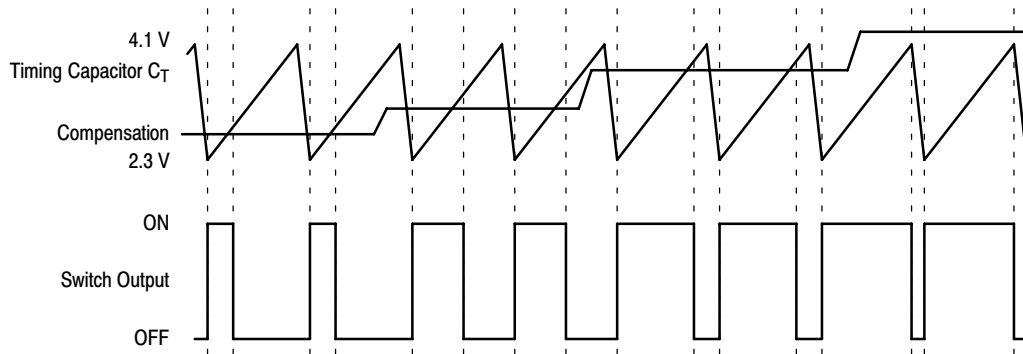


Figure 15. Timing Diagram

INTRODUCTION

The MC34167, MC33167 series are monolithic power switching regulators that are optimized for dc-to-dc converter applications. These devices operate as fixed frequency, voltage mode regulators containing all the active functions required to directly implement step-down and voltage-inverting converters with a minimum number of external components. They can also be used cost effectively in step-up converter applications. Potential markets include automotive, computer, industrial, and cost sensitive consumer products. A description of each section of the device is given below with the representative block diagram shown in Figure 14.

Oscillator

The oscillator frequency is internally programmed to 72 kHz by capacitor C_T and a trimmed current source. The charge to discharge ratio is controlled to yield a 95% maximum duty cycle at the Switch Output. During the discharge of C_T , the oscillator generates an internal blanking pulse that holds the inverting input of the AND gate high, disabling the output switch transistor. The nominal oscillator peak and valley thresholds are 4.1 V and 2.3 V respectively.

Pulse Width Modulator

The Pulse Width Modulator consists of a comparator with the oscillator ramp voltage applied to the noninverting input, while the error amplifier output is applied into the inverting input. Output switch conduction is initiated when C_T is discharged to the oscillator valley voltage. As C_T charges to a voltage that exceeds the error amplifier output, the latch resets, terminating output transistor conduction for the duration of the oscillator ramp-up period. This PWM/Latch combination prevents multiple output pulses during a given oscillator clock cycle. Figures 7 and 15 illustrate the switch output duty cycle versus the compensation voltage.

Current Sense

The MC34167 series utilizes cycle-by-cycle current limiting as a means of protecting the output switch transistor from overstress. Each on cycle is treated as a separate situation. Current limiting is implemented by monitoring the output switch transistor current buildup during conduction, and upon sensing an overcurrent condition, immediately turning off the switch for the duration of the oscillator ramp-up period.

The collector current is converted to a voltage by an internal trimmed resistor and compared against a reference by the Current Sense comparator. When the current limit threshold is reached, the comparator resets the PWM latch. The current limit threshold is typically set at 6.5 A.

Figure 10 illustrates switch output current limit threshold versus temperature.

Error Amplifier and Reference

A high gain Error Amplifier is provided with access to the inverting input and output. This amplifier features a typical dc voltage gain of 80 dB, and a unity gain bandwidth of 600 kHz with 70 degrees of phase margin (Figure 4). The noninverting input is biased to the internal 5.05 V reference and is not pinned out. The reference has an accuracy of $\pm 2.0\%$ at room temperature. To provide 5.0 V at the load, the reference is programmed 50 mV above 5.0 V to compensate for a 1.0% voltage drop in the cable and connector from the converter output. If the converter design requires an output voltage greater than 5.05 V, resistor R_1 must be added to form a divider network at the feedback input as shown in Figures 14 and 19. The equation for determining the output voltage with the divider network is:

$$V_{out} = 5.05 \left(\frac{R_2}{R_1} + 1 \right)$$

External loop compensation is required for converter stability. A simple low-pass filter is formed by connecting a resistor (R_2) from the regulated output to the inverting input, and a series resistor-capacitor (R_F , C_F) between Pins 1 and 5. The compensation network component values shown in each of the applications circuits were selected to provide stability over the tested operating conditions. The step-down converter (Figure 19) is the easiest to compensate for stability. The step-up (Figure 21) and voltage-inverting (Figure 23) configurations operate as continuous conduction flyback converters, and are more difficult to compensate. The simplest way to optimize the compensation network is to observe the response of the output voltage to a step load change, while adjusting R_F and C_F for critical damping. The final circuit should be verified for stability under four boundary conditions. These conditions are minimum and maximum input voltages, with minimum and maximum loads.

By clamping the voltage on the error amplifier output (Pin 5) to less than 150 mV, the internal circuitry will be placed into a low power standby mode, reducing the power supply current to 36 μ A with a 12 V supply voltage. Figure 11 illustrates the standby supply current versus supply voltage.

The Error Amplifier output has a 100 μ A current source pull-up that can be used to implement soft-start. Figure 18 shows the current source charging capacitor C_{SS} through a series diode. The diode disconnects C_{SS} from the feedback loop when the 1.0 M resistor charges it above the operating range of Pin 5.

MC34167, MC33167

Switch Output

The output transistor is designed to switch a maximum of 40 V, with a minimum peak collector current of 5.5 A. When configured for step-down or voltage-inverting applications, as in Figures 19 and 23, the inductor will forward bias the output rectifier when the switch turns off. Rectifiers with a high forward voltage drop or long turn on delay time should not be used. If the emitter is allowed to go sufficiently negative, collector current will flow, causing additional device heating and reduced conversion efficiency. Figure 9 shows that by clamping the emitter to 0.5 V, the collector current will be in the range of 100 μ A over temperature. A 1N5825 or equivalent Schottky barrier rectifier is recommended to fulfill these requirements.

Undervoltage Lockout

An Undervoltage Lockout comparator has been incorporated to guarantee that the integrated circuit is fully

functional before the output stage is enabled. The internal reference voltage is monitored by the comparator which enables the output stage when V_{CC} exceeds 5.9 V. To prevent erratic output switching as the threshold is crossed, 0.9 V of hysteresis is provided.

Thermal Protection

Internal Thermal Shutdown circuitry is provided to protect the integrated circuit in the event that the maximum junction temperature is exceeded. When activated, typically at 170°C, the latch is forced into a 'reset' state, disabling the output switch. This feature is provided to prevent catastrophic failures from accidental device overheating. **It is not intended to be used as a substitute for proper heatsinking.** The MC34167 is contained in a 5-lead TO-220 type package. The tab of the package is common with the center pin (Pin 3) and is normally connected to ground.

DESIGN CONSIDERATIONS

Do not attempt to construct a converter on wire-wrap or plug-in prototype boards. Special care should be taken to separate ground paths from signal currents and ground paths from load currents. All high current loops should be kept as short as possible using heavy copper runs to minimize ringing and radiated EMI. For best operation, a

tight component layout is recommended. Capacitors C_{in} , C_O , and all feedback components should be placed as close to the IC as physically possible. It is also imperative that the Schottky diode connected to the Switch Output be located as close to the IC as possible.

MC34167, MC33167

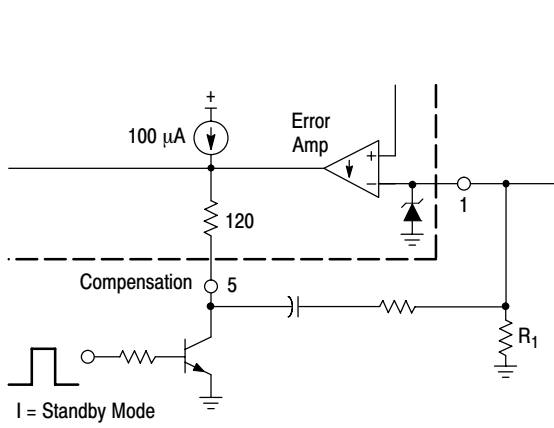


Figure 16. Low Power Standby Circuit

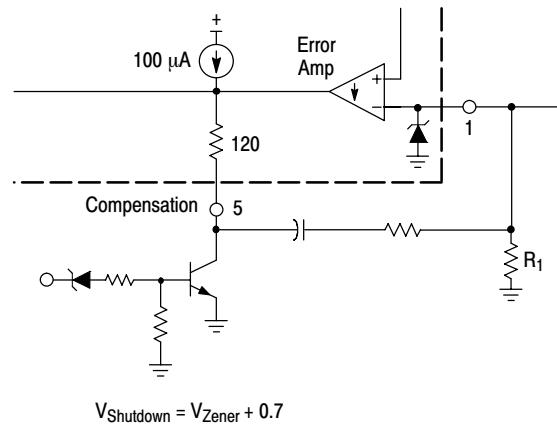


Figure 17. Over Voltage Shutdown Circuit

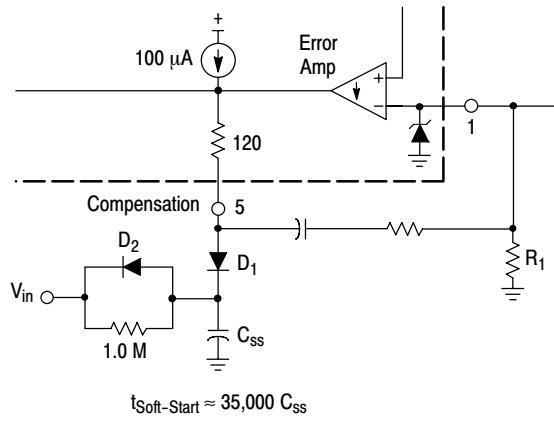
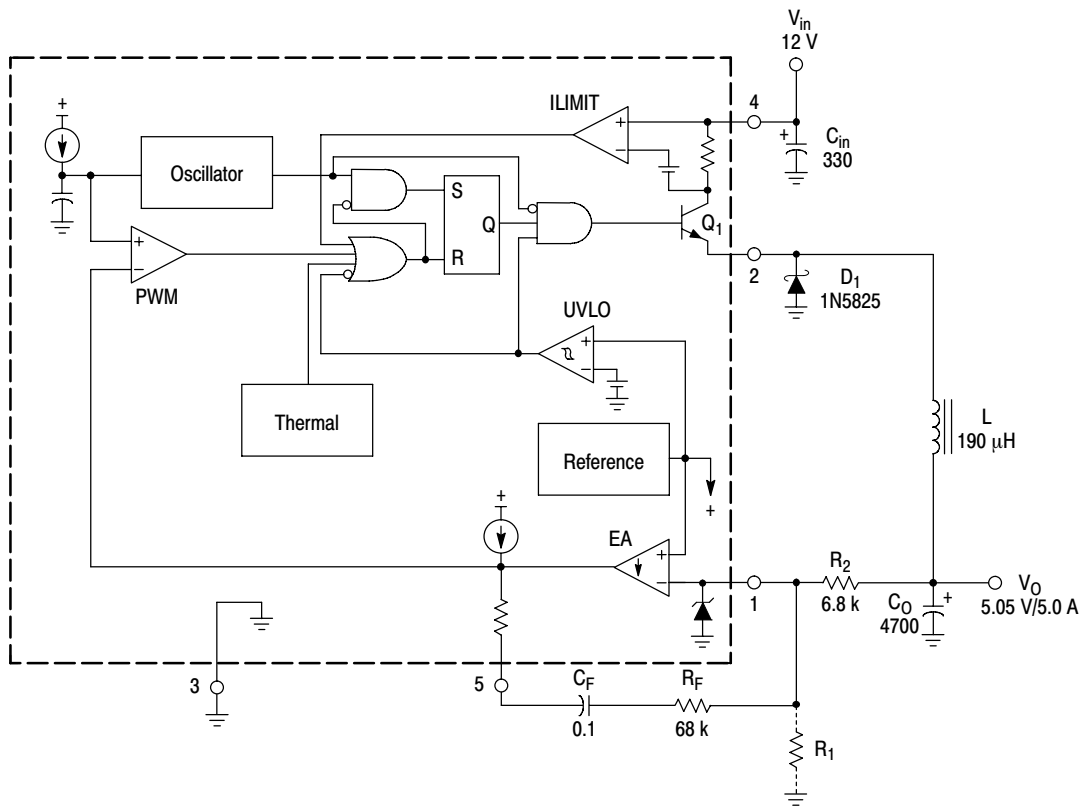


Figure 18. Soft-Start Circuit

MC34167, MC33167



| Test | Conditions | Results |
|-----------------------|--|-----------------------------|
| Line Regulation | $V_{in} = 10\text{ V to }36\text{ V}, I_O = 5.0\text{ A}$ | $4.0\text{ mV} \pm 0.039\%$ |
| Load Regulation | $V_{in} = 12\text{ V}, I_O = 0.25\text{ A to }5.0\text{ A}$ | $1.0\text{ mV} \pm 0.01\%$ |
| Output Ripple | $V_{in} = 12\text{ V}, I_O = 5.0\text{ A}$ | 20 mV_{pp} |
| Short Circuit Current | $V_{in} = 12\text{ V}, R_L = 0.1\ \Omega$ | 6.5 A |
| Efficiency | $V_{in} = 12\text{ V}, I_O = 5.0\text{ A}$ $V_{in} = 24\text{ V}, I_O = 5.0\text{ A}$ | 78.9% 82.6% |

L = Coilcraft M1496-A or General Magnetics Technology GMT-0223, 42 turns of #16 AWG on Magnetics Inc. 58350-A2 core. Heatsink = AAVID Engineering Inc. 5903B, or 5930B.

The Step-Down Converter application is shown in Figure 19. The output switch transistor Q_1 interrupts the input voltage, generating a squarewave at the LC_O filter input. The filter averages the squarewaves, producing a dc output voltage that can be set to any level between V_{in} and V_{ref} by controlling the percent conduction time of Q_1 to that of the total oscillator cycle time. If the converter design requires an output voltage greater than 5.05 V, resistor R_1 must be added to form a divider network at the feedback input.

Figure 19. Step-Down Converter

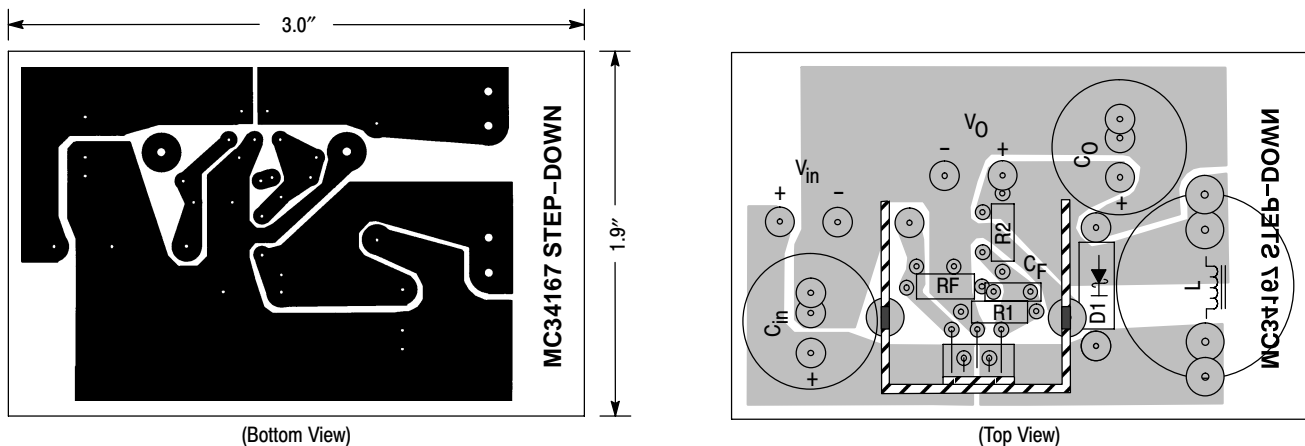
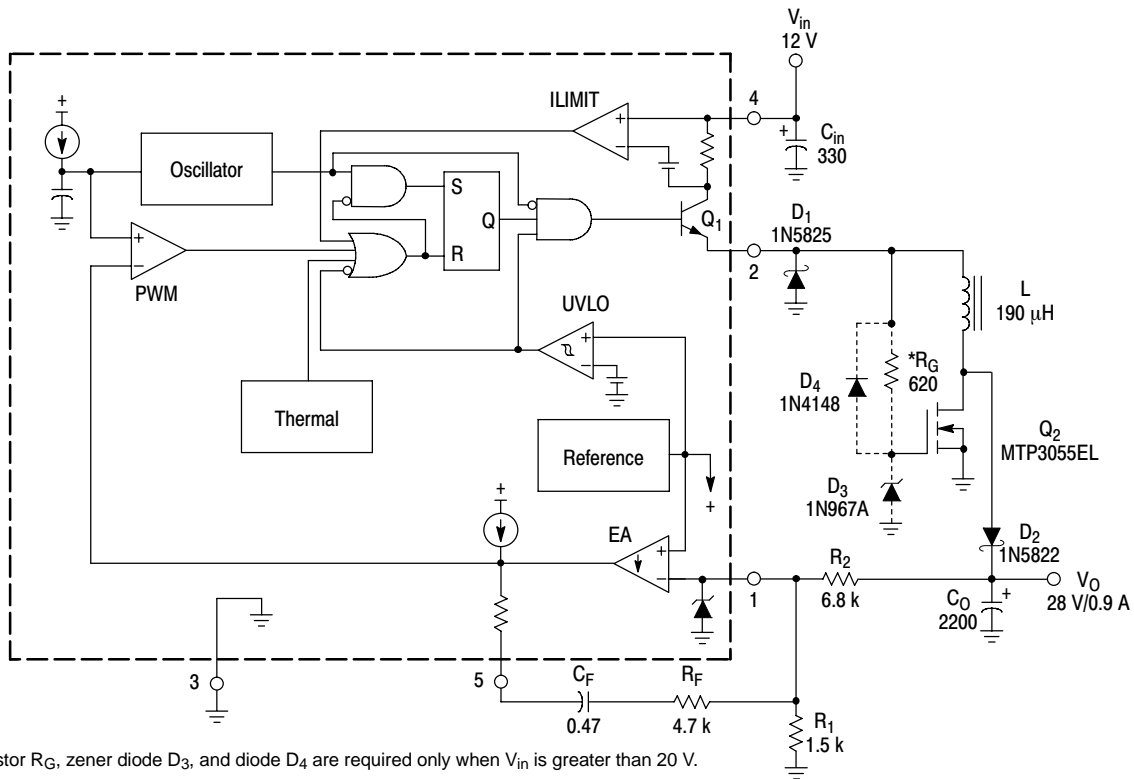


Figure 20. Step-Down Converter Printed Circuit Board and Component Layout

MC34167, MC33167



*Gate resistor R_G , zener diode D_3 , and diode D_4 are required only when V_{in} is greater than 20 V.

| Test | Conditions | Results |
|-----------------------|--|------------------------------|
| Line Regulation | $V_{in} = 10\text{ V to }24\text{ V}, I_O = 0.9\text{ A}$ | $10\text{ mV} = \pm 0.017\%$ |
| Load Regulation | $V_{in} = 12\text{ V}, I_O = 0.1\text{ A to }0.9\text{ A}$ | $30\text{ mV} = \pm 0.053\%$ |
| Output Ripple | $V_{in} = 12\text{ V}, I_O = 0.9\text{ A}$ | 140 mV_{pp} |
| Short Circuit Current | $V_{in} = 12\text{ V}, R_L = 0.1\ \Omega$ | 6.0 A |
| Efficiency | $V_{in} = 12\text{ V}, I_O = 0.9\text{ A}$ | 80.1% |
| | $V_{in} = 24\text{ V}, I_O = 0.9\text{ A}$ | 87.8% |

L = Coilcraft M1496-A or General Magnetics Technology GMT-0223, 42 turns of #16 AWG on Magnetics Inc. 58350-A2 core.

Heatsink = AAVID Engineering Inc. MC34167: 5903B, or 5930B MTP3055EL: 5925B

Figure 21 shows that the MC34167 can be configured as a step-up/down converter with the addition of an external power MOSFET. Energy is stored in the inductor during the ON time of transistors Q_1 and Q_2 . During the OFF time, the energy is transferred, with respect to ground, to the output filter capacitor and load. This circuit configuration has two significant advantages over the basic step-up converter circuit. The first advantage is that output short circuit protection is provided by the MC34167, since Q_1 is directly in series with V_{in} and the load. Second, the output voltage can be programmed to be less than V_{in} . Notice that during the OFF time, the inductor forward biases diodes D_1 and D_2 , transferring its energy with respect to ground rather than with respect to V_{in} . When operating with V_{in} greater than 20 V, a gate protection network is required for the MOSFET. The network consists of components R_G , D_3 , and D_4 .

Figure 21. Step-Up/Down Converter

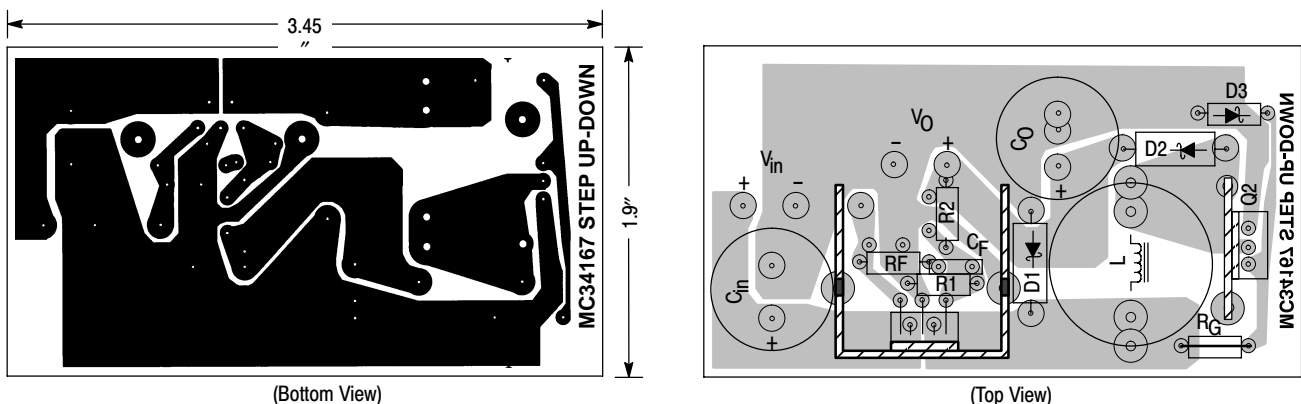
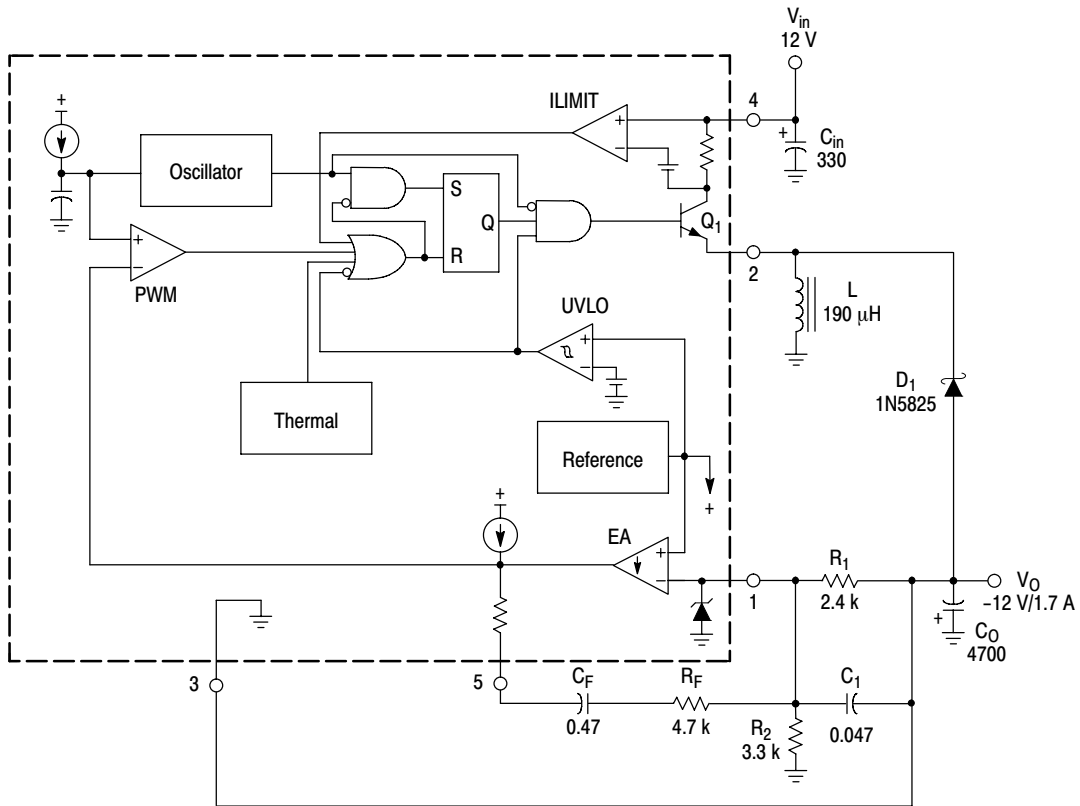


Figure 22. Step-Up/Down Converter Printed Circuit Board and Component Layout

MC34167, MC33167



| Test | Conditions | Results |
|-----------------------|--|-------------------------------|
| Line Regulation | $V_{in} = 10\text{ V to }24\text{ V}, I_O = 1.7\text{ A}$ | $15\text{ mV} = \pm 0.61\%$ |
| Load Regulation | $V_{in} = 12\text{ V}, I_O = 0.1\text{ A to }1.7\text{ A}$ | $4.0\text{ mV} = \pm 0.020\%$ |
| Output Ripple | $V_{in} = 12\text{ V}, I_O = 1.7\text{ A}$ | 78 mV_{pp} |
| Short Circuit Current | $V_{in} = 12\text{ V}, R_L = 0.1\ \Omega$ | 5.7 A |
| Efficiency | $V_{in} = 12\text{ V}, I_O = 1.7\text{ A}$ $V_{in} = 24\text{ V}, I_O = 1.7\text{ A}$ | 79.5% 86.2% |

L = Coilcraft M1496-A or General Magnetics Technology GMT-0223, 42 turns of #16 AWG on Magnetics Inc. 58350-A2 core. Heatsink = AAVID Engineering Inc. 5903B, or 5930B.

Two potential problems arise when designing the standard voltage-inverting converter with the MC34167. First, the Switch Output emitter is limited to -1.5 V with respect to the ground pin and second, the Error Amplifier's noninverting input is internally committed to the reference and is not pinned out. Both of these problems are resolved by connecting the IC ground pin to the converter's negative output as shown in Figure 23. This keeps the emitter of Q_1 positive with respect to the ground pin and has the effect of reversing the Error Amplifier inputs. Note that the voltage drop across R_1 is equal to 5.05 V when the output is in regulation.

Figure 23. Voltage-Inverting Converter

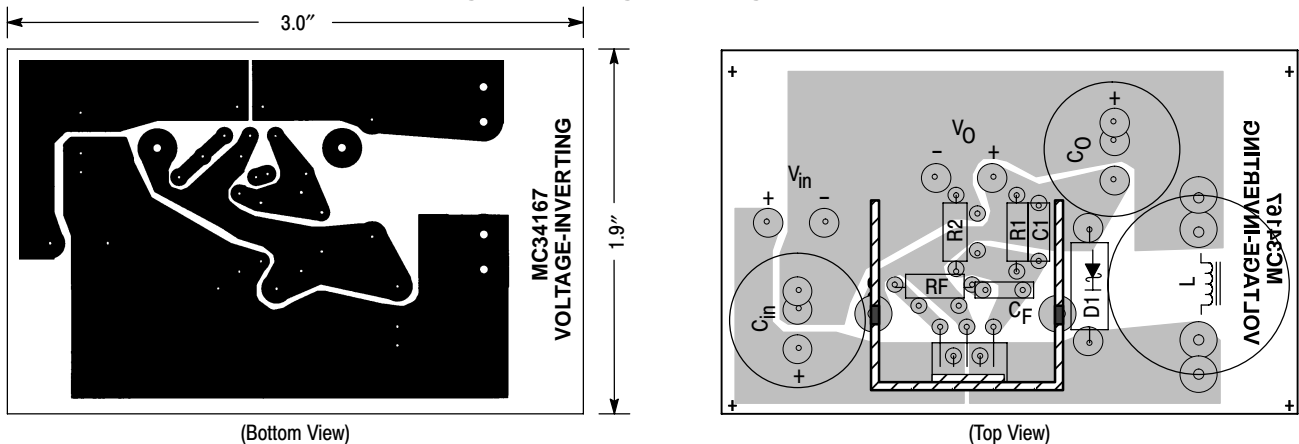


Figure 24. Voltage-Inverting Converter Printed Circuit Board and Component Layout

MC34167, MC33167

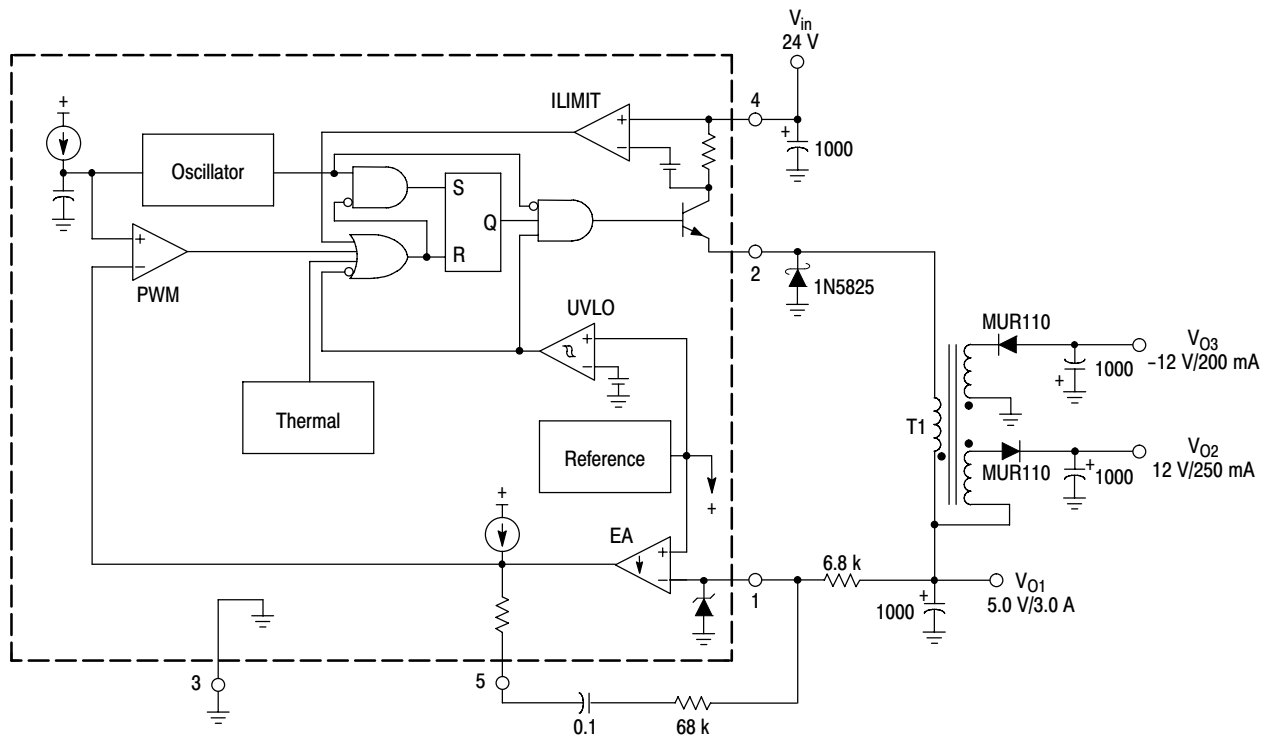


Figure 25. Triple Output Converter

| Tests | Conditions | Results |
|---|---|--|
| Line Regulation 5.0 V 12 V -12 V | $V_{in} = 15 \text{ V to } 30 \text{ V}$, $I_{O1} = 3.0 \text{ A}$, $I_{O2} = 250 \text{ mA}$, $I_{O3} = 200 \text{ mA}$ | 3.0 mV = $\pm 0.029\%$ 572 mV = $\pm 2.4\%$ 711 mV = $\pm 2.9\%$ |
| Load Regulation 5.0 V 12 V -12 V | $V_{in} = 24 \text{ V}$, $I_{O1} = 30 \text{ mA to } 3.0 \text{ A}$, $I_{O2} = 250 \text{ mA}$, $I_{O3} = 200 \text{ mA}$ $V_{in} = 24 \text{ V}$, $I_{O1} = 3.0 \text{ A}$, $I_{O2} = 100 \text{ mA to } 250 \text{ mA}$, $I_{O3} = 200 \text{ mA}$ $V_{in} = 24 \text{ V}$, $I_{O1} = 3.0 \text{ A}$, $I_{O2} = 250 \text{ mA}$, $I_{O3} = 75 \text{ mA to } 200 \text{ mA}$ | 1.0 mV = $\pm 0.009\%$ 409 mV = $\pm 1.5\%$ 528 mV = $\pm 2.0\%$ |
| Output Ripple 5.0 V 12 V -12 V | $V_{in} = 24 \text{ V}$, $I_{O1} = 3.0 \text{ A}$, $I_{O2} = 250 \text{ mA}$, $I_{O3} = 200 \text{ mA}$ | 75 mV _{pp} 20 mV _{pp} 20 mV _{pp} |
| Short Circuit Current 5.0 V 12 V -12 V | $V_{in} = 24 \text{ V}$, $R_L = 0.1 \Omega$ | 6.5 A 2.7 A 2.2 A |
| Efficiency TOTAL | $V_{in} = 24 \text{ V}$, $I_{O1} = 3.0 \text{ A}$, $I_{O2} = 250 \text{ mA}$, $I_{O3} = 200 \text{ mA}$ | 84.2% |

T1 = Primary: Coilcraft M1496-A or General Magnetics Technology GMT-0223, 42 turns of #16 AWG on Magnetics Inc. 58350-A2 core.

Secondary: V_{O2} - 69 turns of #26 AWG

V_{O3} - 104 turns of #28 AWG

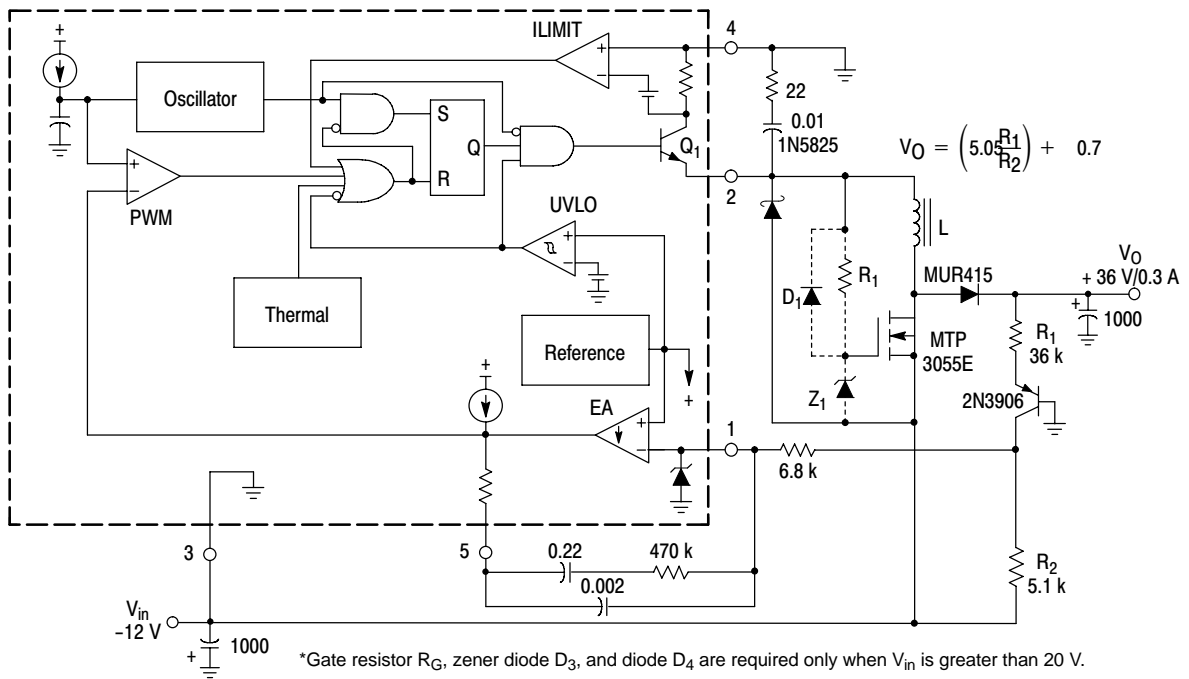
Heatsink = AAVID Engineering Inc. 5903B, or 5930B.

Multiple auxiliary outputs can easily be derived by winding secondaries on the main output inductor to form a transformer. The secondaries must be connected so that the energy is delivered to the auxiliary outputs when the Switch Output turns off. During the OFF time, the voltage across the primary winding is regulated by the feedback loop, yielding a constant Volts/Turn ratio. The number of turns for any given secondary voltage can be calculated by the following equation:

$$\# \text{ TURNS}_{(\text{SEC})} = \frac{V_{O(\text{SEC})} + V_{F(\text{SEC})}}{\left(\frac{V_{O(\text{PRI})} + V_{F(\text{PRI})}}{\# \text{ TURNS}_{(\text{PRI})}} \right)}$$

Note that the 12 V winding is stacked on top of the 5.0 V output. This reduces the number of secondary turns and improves lead regulation. For best auxiliary regulation, the auxiliary outputs should be less than 33% of the total output power.

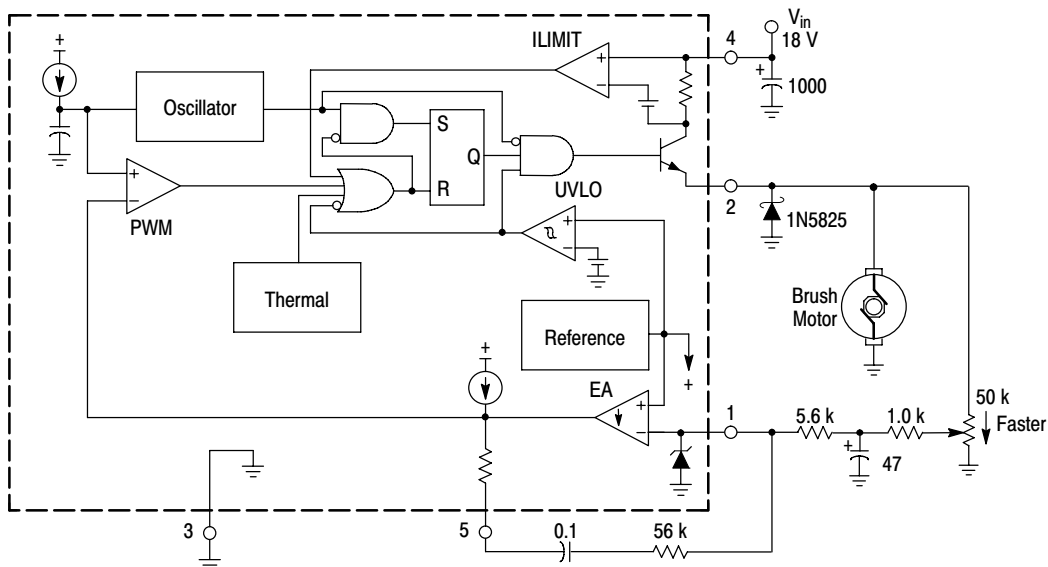
MC34167, MC33167



| Test | Conditions | Results |
|-----------------|--|----------------------|
| Line Regulation | $V_{in} = -10 \text{ V to } -20 \text{ V}, I_O = 0.3 \text{ A}$ | 266 mV \pm 0.38% |
| Load Regulation | $V_{in} = -12 \text{ V}, I_O = 0.03 \text{ A to } 0.3 \text{ A}$ | 7.90 mV \pm 1.1% |
| Output Ripple | $V_{in} = -12 \text{ V}, I_O = 0.3 \text{ A}$ | 100 mV _{pp} |
| Efficiency | $V_{in} = -12 \text{ V}, I_O = 0.3 \text{ A}$ | 78.4% |

L = General Magnetics Technology GMT-0223, 42 turns of #16 AWG on Magnetics Inc. 58350-A2 core. Heatsink = AAVID Engineering Inc. 5903B or 5930B

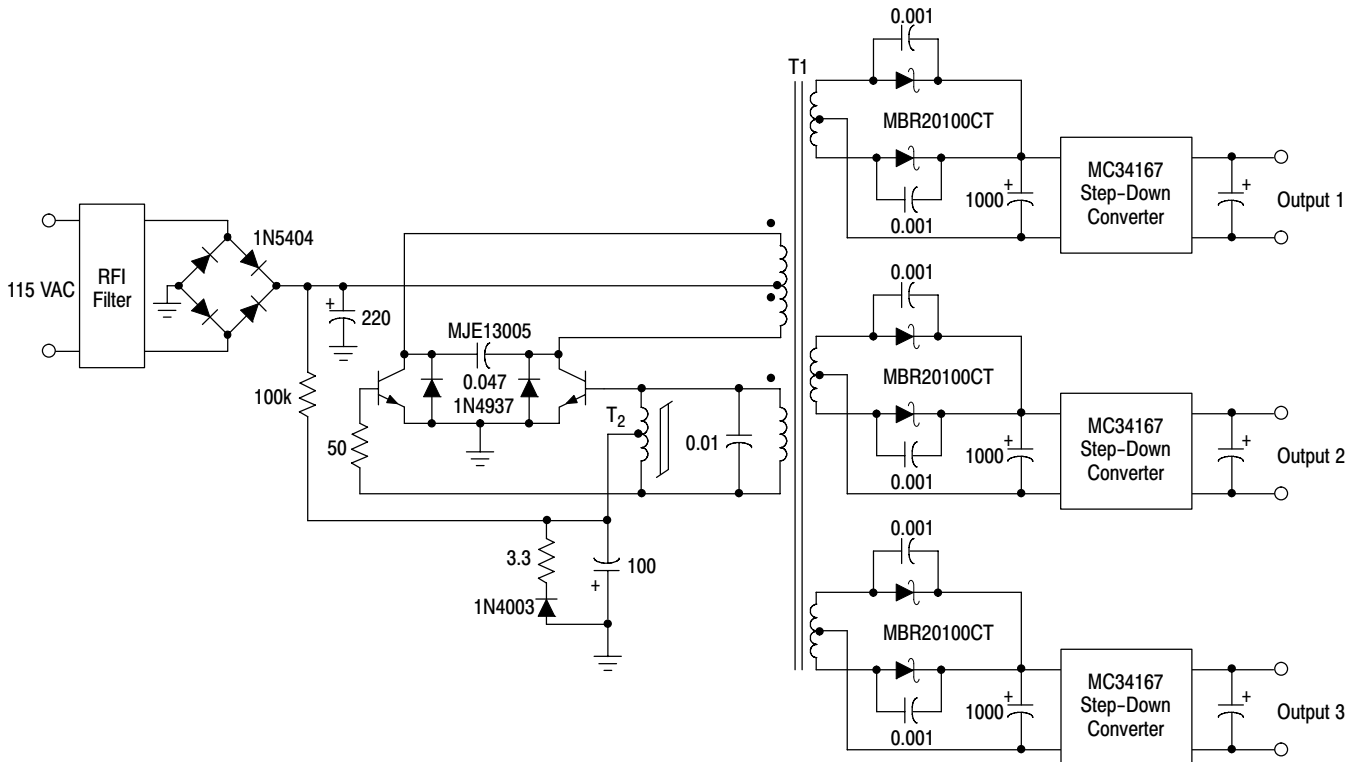
Figure 26. Negative Input/Positive Output Regulator



| Test | Conditions | Results |
|----------------------------|--|-------------------|
| Low Speed Line Regulation | $V_{in} = 12 \text{ V to } 24 \text{ V}$ | 1760 RPM \pm 1% |
| High Speed Line Regulation | $V_{in} = 12 \text{ V to } 24 \text{ V}$ | 3260 RPM \pm 6% |

Figure 27. Variable Motor Speed Control with EMF Feedback Sensing

MC34167, MC33167



T₁ = Core and Bobbin - Coilcraft PT3595
 Primary - 104 turns #26 AWG
 Base Drive - 3 turns #26 AWG
 Secondaries - 16 turns #16 AWG
 Total Gap - 0.002,

T₂ = Core - TDK T6 x 1.5 x 3 H5C2
 14 turns center tapped #30 AWG
 Heatsink = AAVID Engineering Inc.
 MC34167 and MJE13005 - 5903B
 MBR20100CT - 5925B

The MC34167 can be used cost effectively in off-line applications even though it is limited to a maximum input voltage of 40 V. Figure 28 shows a simple and efficient method for converting the AC line voltage down to 24 V. This preconverter has a total power rating of 125 W with a conversion efficiency of 90%. Transformer T₁ provides output isolation from the AC line and isolation between each of the secondaries. The circuit self-oscillates at 50 kHz and is controlled by the saturation characteristics of T₂. Multiple MC34167 post regulators can be used to provide accurate independently regulated outputs for a distributed power system.

Figure 28. Off-Line Preconverter

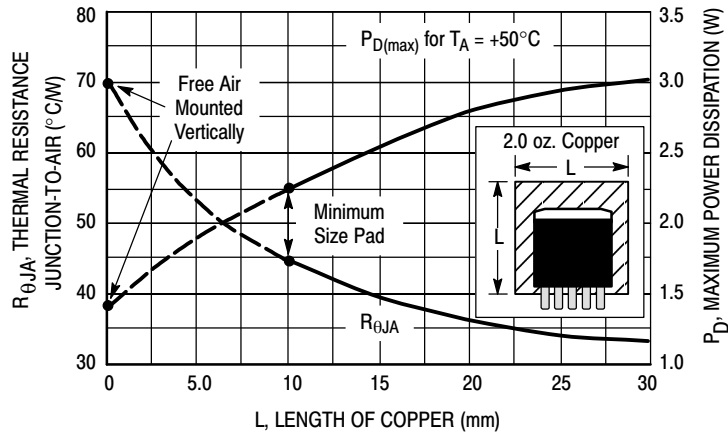


Figure 29. D²PAK Thermal Resistance and Maximum Power Dissipation versus P.C.B. Copper Length

MC34167, MC33167

Table 1. Design Equations

| Calculation | Step-Down | Step-Up/Down | Voltage-Inverting |
|--|---|--|--|
| $\frac{t_{on}}{t_{off}}$ (Notes 1, 2) | $\frac{V_{out} + V_F}{V_{in} - V_{sat} - V_{out}}$ | $\frac{V_{out} + V_{F1} + V_{F2}}{V_{in} - V_{satQ1} - V_{satQ2}}$ | $\frac{ V_{out} + V_F}{V_{in} - V_{sat}}$ |
| t_{on} | $\frac{t_{on}}{t_{off}}$ $f_{osc} \left(\frac{t_{on}}{t_{off}} + 1 \right)$ | $\frac{t_{on}}{t_{off}}$ $f_{osc} \left(\frac{t_{on}}{t_{off}} + 1 \right)$ | $\frac{t_{on}}{t_{off}}$ $f_{osc} \left(\frac{t_{on}}{t_{off}} + 1 \right)$ |
| Duty Cycle (Note 3) | $t_{on} f_{osc}$ | $t_{on} f_{osc}$ | $t_{on} f_{osc}$ |
| $I_{L\ avg}$ | I_{out} | $I_{out} \left(\frac{t_{on}}{t_{off}} + 1 \right)$ | $I_{out} \left(\frac{t_{on}}{t_{off}} + 1 \right)$ |
| $I_{pk(switch)}$ | $I_{L\ avg} + \frac{\Delta I_L}{2}$ | $I_{L\ avg} + \frac{\Delta I_L}{2}$ | $I_{L\ avg} + \frac{\Delta I_L}{2}$ |
| L | $\left(\frac{V_{in} - V_{sat} - V_{out}}{\Delta I_L} \right) t_{on}$ | $\left(\frac{V_{in} - V_{satQ1} - V_{satQ2}}{\Delta I_L} \right) t_{on}$ | $\left(\frac{V_{in} - V_{sat}}{\Delta I_L} \right) t_{on}$ |
| $V_{ripple(pp)}$ | $\Delta I_L \sqrt{\left(\frac{1}{8f_{osc}C_o} \right)^2 + (ESR)^2}$ | $\left(\frac{t_{on}}{t_{off}} + 1 \right) \sqrt{\left(\frac{1}{f_{osc}C_o} \right)^2 + (ESR)^2}$ | $\left(\frac{t_{on}}{t_{off}} + 1 \right) \sqrt{\left(\frac{1}{f_{osc}C_o} \right)^2 + (ESR)^2}$ |
| V_{out} | $V_{ref} \left(\frac{R_2}{R_1} + 1 \right)$ | $V_{ref} \left(\frac{R_2}{R_1} + 1 \right)$ | $V_{ref} \left(\frac{R_2}{R_1} + 1 \right)$ |

1. V_{sat} – Switch Output source saturation voltage, refer to Figure 8.
2. V_F – Output rectifier forward voltage drop. Typical value for 1N5822 Schottky barrier rectifier is 0.35 V.
3. Duty cycle is calculated at the minimum operating input voltage and must not exceed the guaranteed minimum $DC_{(max)}$ specification of 0.92.

The following converter characteristics must be chosen:

V_{out} – Desired output voltage.

I_{out} – Desired output current.

ΔI_L – Desired peak-to-peak inductor ripple current. For maximum output current especially when the duty cycle is greater than 0.5, it is suggested that ΔI_L be chosen minimum current limit threshold of 5.5 A. If the design goal is to use a minimum inductance value, let $\Delta I_L = 2 (I_{L\ avg})$. This will proportionally reduce the converter's output current capability.

$V_{ripple(pp)}$ – Desired peak-to-peak output ripple voltage. For best performance, the ripple voltage should be kept to less than 2% of V_{out} . Capacitor C_o should be a low equivalent series resistance (ESR) electrolytic designed for switching regulator applications.

MC34167, MC33167

ORDERING INFORMATION

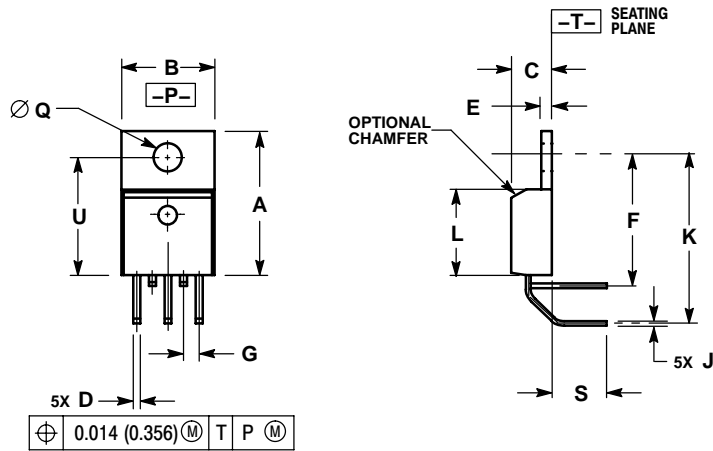
| Device | Operating Temperature Range | Package | Shipping [†] |
|---------------|---|---|------------------------------------|
| MC33167D2T | T _A = -40° to +85°C | D ² PAK (Surface Mount) | 50 Units / Rail |
| MC33167D2TG | | D ² PAK (Surface Mount) (Pb-Free) | 50 Units / Rail |
| MC33167D2TR4 | | D ² PAK (Surface Mount) | 800 / Tape & Reel |
| MC33167D2TR4G | | D ² PAK (Surface Mount) (Pb-Free) | 800 / Tape & Reel |
| MC33167T | | TO-220 (Straight Lead) | 50 Units / Rail |
| MC33167TG | | TO-220 (Straight Lead) (Pb-Free) | 50 Units / Rail |
| MC33167TH | | TO-220 (Horizontal Mount) | 50 Units / Rail |
| MC33167THG | | TO-220 (Horizontal Mount) (Pb-Free) | 50 Units / Rail |
| MC33167TV | | TO-220 (Vertical Mount) | 50 Units / Rail |
| MC33167TVG | | TO-220 (Vertical Mount) (Pb-Free) | 50 Units / Rail |
| MC34167D2T | | T _A = 0° to +70°C | D ² PAK (Surface Mount) |
| MC34167D2TG | D ² PAK (Surface Mount) (Pb-Free) | | 50 Units / Rail |
| MC34167D2TR4 | D ² PAK (Surface Mount) | | 800 / Tape & Reel |
| MC34167D2TR4G | D ² PAK (Surface Mount) (Pb-Free) | | 800 / Tape & Reel |
| MC34167T | TO-220 (Straight Lead) | | 50 Units / Rail |
| MC34167TG | TO-220 (Straight Lead) (Pb-Free) | | 50 Units / Rail |
| MC34167TH | TO-220 (Horizontal Mount) | | 50 Units / Rail |
| MC34167THG | TO-220 (Horizontal Mount) (Pb-Free) | | 50 Units / Rail |
| MC34167TV | TO-220 (Vertical Mount) | | 50 Units / Rail |
| MC34167TVG | TO-220 (Vertical Mount) (Pb-Free) | | 50 Units / Rail |

†For information on tape and reel specifications, including part orientation and tape sizes, please refer to our Tape and Reel Packaging Specifications Brochure, BRD8011/D.

MC34167, MC33167

PACKAGE DIMENSIONS

TO-220
TH SUFFIX
CASE 314A-03
ISSUE E

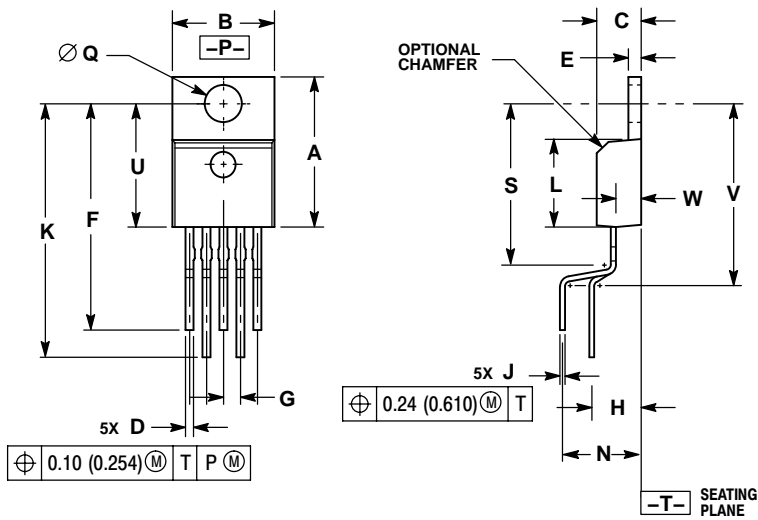


NOTES:

1. DIMENSIONING AND TOLERANCING PER ANSI Y14.5M, 1982.
2. CONTROLLING DIMENSION: INCH.
3. DIMENSION D DOES NOT INCLUDE INTERCONNECT BAR (DAMBAR) PROTRUSION. DIMENSION D INCLUDING PROTRUSION SHALL NOT EXCEED 0.043 (1.092) MAXIMUM.

| DIM | INCHES | | MILLIMETERS | |
|-----|-----------|-------|-------------|--------|
| | MIN | MAX | MIN | MAX |
| A | 0.572 | 0.613 | 14.529 | 15.570 |
| B | 0.390 | 0.415 | 9.906 | 10.541 |
| C | 0.170 | 0.180 | 4.318 | 4.572 |
| D | 0.025 | 0.038 | 0.635 | 0.965 |
| E | 0.048 | 0.055 | 1.219 | 1.397 |
| F | 0.570 | 0.585 | 14.478 | 14.859 |
| G | 0.067 BSC | | 1.702 BSC | |
| J | 0.015 | 0.025 | 0.381 | 0.635 |
| K | 0.730 | 0.745 | 18.542 | 18.923 |
| L | 0.320 | 0.365 | 8.128 | 9.271 |
| Q | 0.140 | 0.153 | 3.556 | 3.886 |
| S | 0.210 | 0.260 | 5.334 | 6.604 |
| U | 0.468 | 0.505 | 11.888 | 12.827 |

TO-220
TV SUFFIX
CASE 314B-05
ISSUE L



NOTES:

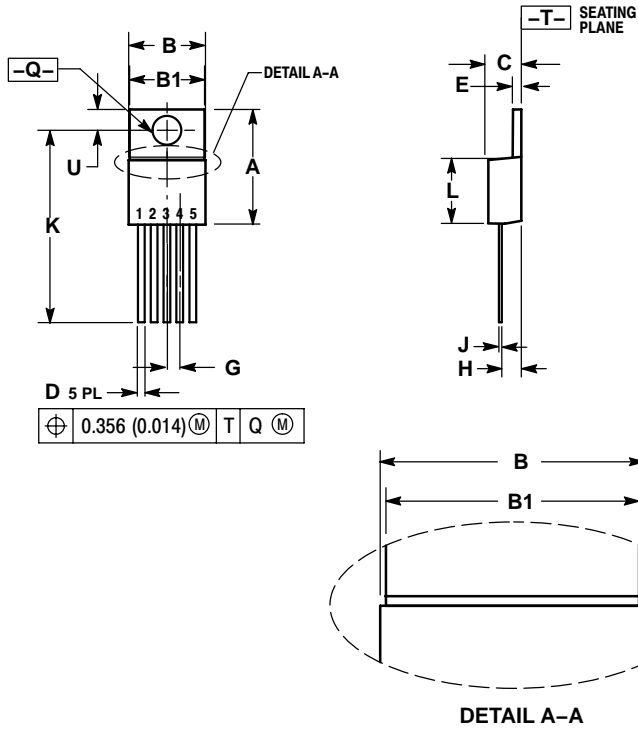
1. DIMENSIONING AND TOLERANCING PER ANSI Y14.5M, 1982.
2. CONTROLLING DIMENSION: INCH.
3. DIMENSION D DOES NOT INCLUDE INTERCONNECT BAR (DAMBAR) PROTRUSION. DIMENSION D INCLUDING PROTRUSION SHALL NOT EXCEED 0.043 (1.092) MAXIMUM.

| DIM | INCHES | | MILLIMETERS | |
|-----|-----------|-------|-------------|--------|
| | MIN | MAX | MIN | MAX |
| A | 0.572 | 0.613 | 14.529 | 15.570 |
| B | 0.390 | 0.415 | 9.906 | 10.541 |
| C | 0.170 | 0.180 | 4.318 | 4.572 |
| D | 0.025 | 0.038 | 0.635 | 0.965 |
| E | 0.048 | 0.055 | 1.219 | 1.397 |
| F | 0.850 | 0.935 | 21.590 | 23.749 |
| G | 0.067 BSC | | 1.702 BSC | |
| H | 0.166 BSC | | 4.216 BSC | |
| J | 0.015 | 0.025 | 0.381 | 0.635 |
| K | 0.900 | 1.100 | 22.860 | 27.940 |
| L | 0.320 | 0.365 | 8.128 | 9.271 |
| N | 0.320 BSC | | 8.128 BSC | |
| Q | 0.140 | 0.153 | 3.556 | 3.886 |
| S | --- | 0.620 | --- | 15.748 |
| U | 0.468 | 0.505 | 11.888 | 12.827 |
| V | --- | 0.735 | --- | 18.669 |
| W | 0.090 | 0.110 | 2.286 | 2.794 |

MC34167, MC33167

PACKAGE DIMENSIONS

TO-220
T SUFFIX
CASE 314D-04
ISSUE F

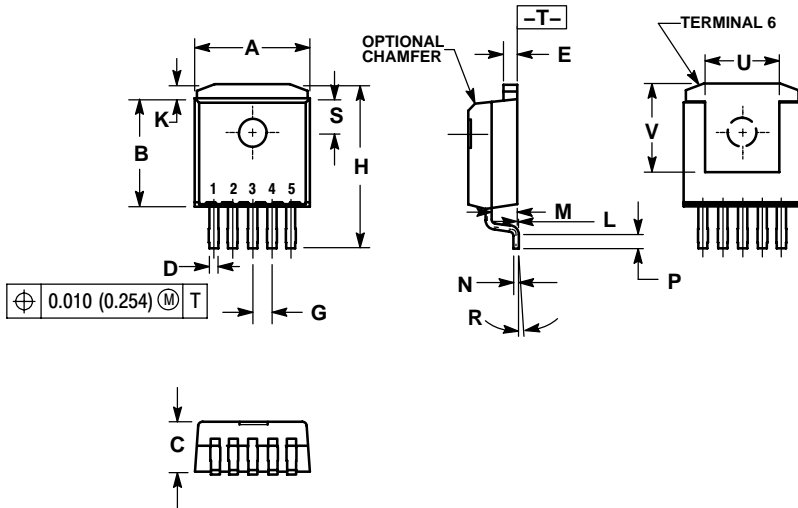


- NOTES:
1. DIMENSIONING AND TOLERANCING PER ANSI Y14.5M, 1982.
 2. CONTROLLING DIMENSION: INCH.
 3. DIMENSION D DOES NOT INCLUDE INTERCONNECT BAR (DAMBAR) PROTRUSION. DIMENSION D INCLUDING PROTRUSION SHALL NOT EXCEED 10.92 (0.043) MAXIMUM.

| DIM | INCHES | | MILLIMETERS | |
|-----|-----------|-------|-------------|--------|
| | MIN | MAX | MIN | MAX |
| A | 0.572 | 0.613 | 14.529 | 15.570 |
| B | 0.390 | 0.415 | 9.906 | 10.541 |
| B1 | 0.375 | 0.415 | 9.525 | 10.541 |
| C | 0.170 | 0.180 | 4.318 | 4.572 |
| D | 0.025 | 0.038 | 0.635 | 0.965 |
| E | 0.048 | 0.055 | 1.219 | 1.397 |
| G | 0.067 BSC | | 1.702 BSC | |
| H | 0.087 | 0.112 | 2.210 | 2.845 |
| J | 0.015 | 0.025 | 0.381 | 0.635 |
| K | 0.977 | 1.045 | 24.810 | 26.543 |
| L | 0.320 | 0.365 | 8.128 | 9.271 |
| Q | 0.140 | 0.153 | 3.556 | 3.886 |
| U | 0.105 | 0.117 | 2.667 | 2.972 |

MC34167, MC33167

D²PAK
D2T SUFFIX
CASE 936A-02
ISSUE C

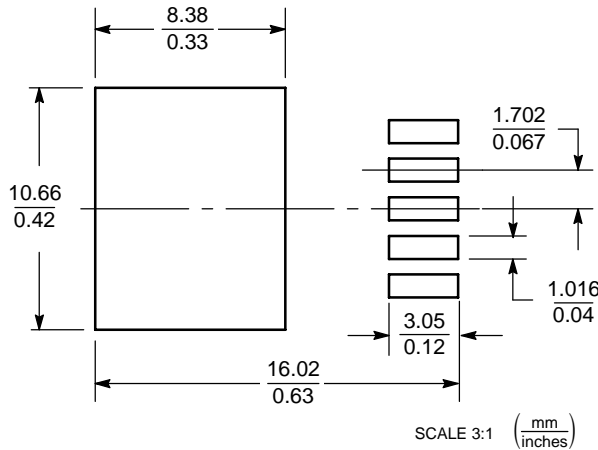


NOTES:

1. DIMENSIONING AND TOLERANCING PER ANSI Y14.5M, 1982.
2. CONTROLLING DIMENSION: INCH.
3. TAB CONTOUR OPTIONAL WITHIN DIMENSIONS A AND K.
4. DIMENSIONS U AND V ESTABLISH A MINIMUM MOUNTING SURFACE FOR TERMINAL 6.
5. DIMENSIONS A AND B DO NOT INCLUDE MOLD FLASH OR GATE PROTRUSIONS. MOLD FLASH AND GATE PROTRUSIONS NOT TO EXCEED 0.025 (0.635) MAXIMUM.

| DIM | INCHES | | MILLIMETERS | |
|-----|-----------|-------|-------------|--------|
| | MIN | MAX | MIN | MAX |
| A | 0.386 | 0.403 | 9.804 | 10.236 |
| B | 0.356 | 0.368 | 9.042 | 9.347 |
| C | 0.170 | 0.180 | 4.318 | 4.572 |
| D | 0.026 | 0.036 | 0.660 | 0.914 |
| E | 0.045 | 0.055 | 1.143 | 1.397 |
| G | 0.067 BSC | | 1.702 BSC | |
| H | 0.539 | 0.579 | 13.691 | 14.707 |
| K | 0.050 REF | | 1.270 REF | |
| L | 0.000 | 0.010 | 0.000 | 0.254 |
| M | 0.088 | 0.102 | 2.235 | 2.591 |
| N | 0.018 | 0.026 | 0.457 | 0.660 |
| P | 0.058 | 0.078 | 1.473 | 1.981 |
| R | 5° REF | | 5° REF | |
| S | 0.116 REF | | 2.946 REF | |
| U | 0.200 MIN | | 5.080 MIN | |
| V | 0.250 MIN | | 6.350 MIN | |

SOLDERING FOOTPRINT*



*For additional information on our Pb-Free strategy and soldering details, please download the ON Semiconductor Soldering and Mounting Techniques Reference Manual, SOLDERRM/D.

ON Semiconductor and are registered trademarks of Semiconductor Components Industries, LLC (SCILLC). SCILLC reserves the right to make changes without further notice to any products herein. SCILLC makes no warranty, representation or guarantee regarding the suitability of its products for any particular purpose, nor does SCILLC assume any liability arising out of the application or use of any product or circuit, and specifically disclaims any and all liability, including without limitation special, consequential or incidental damages. "Typical" parameters which may be provided in SCILLC data sheets and/or specifications can and do vary in different applications and actual performance may vary over time. All operating parameters, including "Typicals" must be validated for each customer application by customer's technical experts. SCILLC does not convey any license under its patent rights nor the rights of others. SCILLC products are not designed, intended, or authorized for use as components in systems intended for surgical implant into the body, or other applications intended to support or sustain life, or for any other application in which the failure of the SCILLC product could create a situation where personal injury or death may occur. Should Buyer purchase or use SCILLC products for any such unintended or unauthorized application, Buyer shall indemnify and hold SCILLC and its officers, employees, subsidiaries, affiliates, and distributors harmless against all claims, costs, damages, and expenses, and reasonable attorney fees arising out of, directly or indirectly, any claim of personal injury or death associated with such unintended or unauthorized use, even if such claim alleges that SCILLC was negligent regarding the design or manufacture of the part. SCILLC is an Equal Opportunity/Affirmative Action Employer. This literature is subject to all applicable copyright laws and is not for resale in any manner.

PUBLICATION ORDERING INFORMATION

LITERATURE FULFILLMENT:
Literature Distribution Center for ON Semiconductor
P.O. Box 61312, Phoenix, Arizona 85082-1312 USA
Phone: 480-829-7710 or 800-344-3860 Toll Free USA/Canada
Fax: 480-829-7709 or 800-344-3867 Toll Free USA/Canada
Email: orderlit@onsemi.com

N. American Technical Support: 800-282-9855 Toll Free USA/Canada
Japan: ON Semiconductor, Japan Customer Focus Center
2-9-1 Kamimeguro, Meguro-ku, Tokyo, Japan 153-0051
Phone: 81-3-5773-3850

ON Semiconductor Website: <http://onsemi.com>
Order Literature: <http://www.onsemi.com/litorder>

For additional information, please contact your local Sales Representative.