

EVALUATION KIT  
AVAILABLE

# MAXIM

## Cost-Saving Multichemistry Battery-Charger System

MAX846A

### General Description

The MAX846A is a cost-saving multichemistry battery-charger system that comes in a space-saving 16-pin QSOP. This integrated system allows different battery chemistries (Li-Ion, NiMH or NiCd cells) to be charged using one circuit.

In its simplest application, the MAX846A is a stand-alone, current-limited float voltage source that charges Li-Ion cells. It can also be paired up with a low-cost microcontroller ( $\mu\text{C}$ ) to build a universal charger capable of charging Li-Ion, NiMH, and NiCd cells.

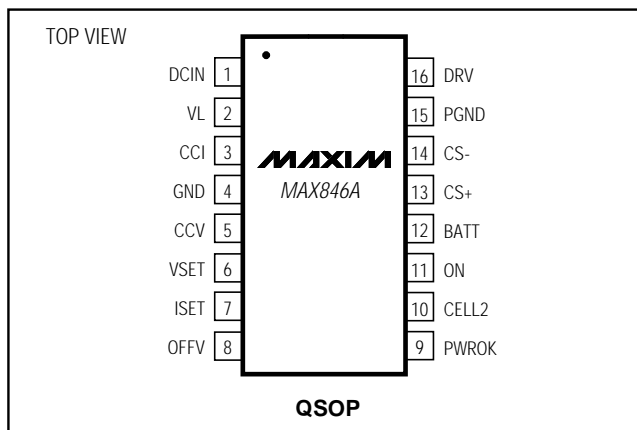
An internal 0.5%-accurate reference allows safe charging of Li-Ion cells that require tight voltage accuracy. The voltage- and current-regulation loops used to control a low-cost external PNP transistor (or P-channel MOSFET) are independent of each other, allowing more flexibility in the charging algorithms.

The MAX846A has a built-in 1%, 3.3V, 20mA linear regulator capable of powering the  $\mu\text{C}$  and providing a reference for the  $\mu\text{C}$ 's analog-to-digital converters. An on-board reset notifies the controller upon any unexpected loss of power. The  $\mu\text{C}$  can be inexpensive, since its only functions are to monitor the voltage and current and to change the charging algorithms.

### Applications

- Li-Ion Battery Packs
- Desktop Cradle Chargers
- Li-Ion/NiMH/NiCd Multichemistry Battery Chargers
- Cellular Phones
- Notebook Computers
- Hand-Held Instruments

### Pin Configuration



### Features

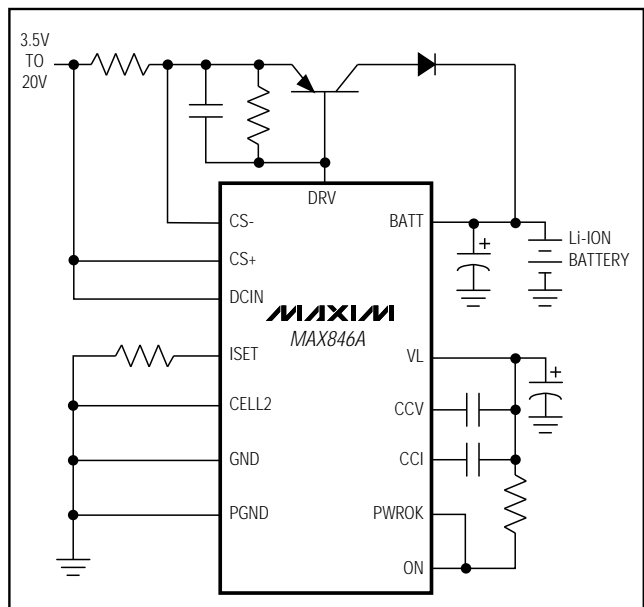
- ◆ **Multichemistry Charger System (Li-Ion, NiMH, NiCd)**
- ◆ **Independent Voltage and Current Loops**
- ◆  **$\pm 0.5\%$  Internal Reference for Li-Ion Cells**
- ◆ **Lowers Cost:**
  - Stands Alone or Uses Low-Cost  $\mu\text{C}$
  - Built-In 1% Linear Regulator Powers  $\mu\text{C}$
  - Linear Regulator Provides Reference to  $\mu\text{C}$  ADCs
  - Built-In  $\mu\text{C}$  Reset
  - Controls Low-Cost External PNP Transistor or P-Channel MOSFET
- ◆ **Space-Saving 16-Pin QSOP**
- ◆ **Charging-Current-Monitor Output**
- ◆  **$<1\mu\text{A}$  Battery Drain when Off**

### Ordering Information

PART	TEMP. RANGE	PIN-PACKAGE
MAX846AC/D	0°C to +70°C	Dice*
MAX846AEEE	-40°C to +85°C	16 QSOP

\*Dice are tested at  $T_A = +25^\circ\text{C}$  only. Contact factory for details.

### Typical Operating Circuit



MAXIM

Maxim Integrated Products 1

For free samples & the latest literature: <http://www.maxim-ic.com>, or phone 1-800-998-8800

# Cost-Saving Multichemistry Battery-Charger System

## ABSOLUTE MAXIMUM RATINGS

DCIN, DRV, CS+, CS-, BATT to GND.....	-0.3V, +21V
PGND to GND.....	±0.3V
VL to GND.....	-0.3V, 7V
IPWROK.....	10mA
PWROK, ISET, CCI, CCV, OFFV, VSET, CELL2, ON to GND.....	-0.3V, VL + 0.3V
CS+ to CS-.....	±0.3V
VL Short to GND.....	Continuous
IDRV.....	100mA

Continuous Power Dissipation (T <sub>A</sub> = +70°C)	
QSOP (derate 8.3mW/°C above +70°C).....	667mW
Operating Temperature Range	
MAX846AEEE.....	-40°C to +85°C
Junction Temperature.....	+150°C
Storage Temperature Range.....	-65°C to +160°C
Lead Temperature (soldering, 10sec).....	+300°C

Stresses beyond those listed under "Absolute Maximum Ratings" may cause permanent damage to the device. These are stress ratings only, and functional operation of the device at these or any other conditions beyond those indicated in the operational sections of the specifications is not implied. Exposure to absolute maximum rating conditions for extended periods may affect device reliability.

## ELECTRICAL CHARACTERISTICS

(V<sub>DCIN</sub> = 10V, ON = VL, I<sub>VL</sub> = I<sub>VSET</sub> = 0mA, V<sub>CS-</sub> = V<sub>CS+</sub> = 10V, V<sub>BATT</sub> = 4.5V, V<sub>OFFV</sub> = V<sub>CELL2</sub> = 0V, T<sub>A</sub> = 0°C to +85°C, unless otherwise noted. Typical values are at T<sub>A</sub> = +25°C.)

PARAMETER	CONDITIONS	MIN	TYP	MAX	UNITS
<b>VL REGULATOR</b>					
DCIN Supply Current	V <sub>DCIN</sub> = 20V, I <sub>DRV</sub> = I <sub>VL</sub> = 0mA			5	mA
Operating Range		3.7		20.0	V
Output Voltage	0mA < I <sub>VL</sub> < 20mA, 3.7V < V <sub>DCIN</sub> < 20V	3.267	3.305	3.333	V
Short-Circuit Current Limit	VL = GND		50		mA
PWROK Trip Level	Rising VL edge, 2% hysteresis	2.9	3.0	3.1	V
VL Undervoltage-Lockout Level		2.5		2.9	V
<b>REFERENCE</b>					
Output Voltage	Measured at VSET, I <sub>VSET</sub> = 0mA, V <sub>ON</sub> = 0V	-0.5%	1.650	+0.5%	V
Output Resistance		-2%	20	+2%	kΩ
<b>CURRENT-SENSE AMPLIFIER</b>					
Transconductance	V <sub>ISET</sub> = 1.7V, V <sub>CS+</sub> - V <sub>CS-</sub> = 165mV	0.95	1	1.05	mA/V
Output Offset Current	V <sub>CS+</sub> = 4V			3	μA
Input Common-Mode Range	Measured at V <sub>CS-</sub> , V <sub>CS+</sub> - V <sub>CS-</sub> = 165mV	2.1		20.0	V
Maximum Differential Input Voltage	V <sub>CS-</sub> = V <sub>ISET</sub> = 2.1V, CSA transconductance >0.9mA/V	225			mV
CS- Lockout Voltage	When V <sub>CS-</sub> is less than this voltage, DRV is disabled.	1.9		2.1	V
CS+, CS- Input Current	V <sub>CS+</sub> = 20V, V <sub>CS+</sub> - V <sub>CS-</sub> = 165mV			250	μA
CS+, CS- Off Input Current	DCIN = VL = ON = GND		0.01	10	μA

# Cost-Saving Multichemistry Battery-Charger System

MAX846A

## ELECTRICAL CHARACTERISTICS (continued)

( $V_{DCIN} = 10V$ ,  $ON = VL$ ,  $I_{VL} = I_{VSET} = 0mA$ ,  $V_{CS-} = V_{CS+} = 10V$ ,  $V_{BATT} = 4.5V$ ,  $V_{OFFV} = V_{CELL2} = 0V$ ,  $T_A = 0^{\circ}C$  to  $+85^{\circ}C$ , unless otherwise noted. Typical values are at  $T_A = +25^{\circ}C$ .)

PARAMETER	CONDITIONS	MIN	TYP	MAX	UNITS
<b>VOLTAGE LOOP</b>					
Voltage-Loop Set Point	$V_{VSET} = 1.650V$ , $V_{CELL2} = 0V$ , $I_{DRV} = 1mA$ , $V_{DRV} = 10V$	-0.25%	4.2	+0.25%	V
	$V_{VSET} = 1.650V$ , $V_{CELL2} = VL$ , $I_{DRV} = 1mA$ , $V_{DRV} = 10V$	-0.25%	8.4	+0.25%	
VSET Common-Mode Input Range		1.25		2.0	V
CCV Output Impedance			150		$k\Omega$
Voltage-Loop Load Regulation	$1mA < I_{DRV} < 5mA$		0.05		%
BATT Input Current	$V_{BATT} = 10V$ , $CELL2 = GND$ or $VL$			225	$\mu A$
BATT Off Input Current	$V_{BATT} = 10V$ , $ON = GND$ , $CELL2 = GND$ or $VL$		0.01	1	$\mu A$
<b>CURRENT LOOP</b>					
Current-Loop Set Point	$I_{DRV} = 5mA$ , $V_{DRV} = 10V$	1.634	1.650	1.666	V
CA Voltage Gain			5		V/V
CCI Output Impedance			50		$k\Omega$
Overcurrent Trip Level	When $V_{ISET}$ exceeds this voltage, DRV current is disabled.	1.90		2.1	V
<b>DRIVER</b>					
DRV Sink Current	$V_{DRV} = 3V$	20			mA
DRV Off Current	$V_{DRV} = 20V$ , $V_{ON} = 0V$		0.1	100	$\mu A$
<b>LOGIC INPUTS AND OUTPUTS</b>					
Input High Level	CELL2, ON, OFFV	2.4		VL	V
Input Low Level	CELL2, ON, OFFV	0		0.8	V
Input Current	CELL2, ON, OFFV		0.01	1	$\mu A$
PWROK Output Low Level	$I_{PWROK} = 1mA$ , $V_{DCIN} = V_{VL} = 2.5V$			0.4	V
PWROK Output High Leakage	$V_{PWROK} = 3.3V$		0.01	1	$\mu A$

# Cost-Saving Multichemistry Battery-Charger System

## ELECTRICAL CHARACTERISTICS (Note 1)

( $V_{DCIN} = 10V$ ,  $ON = VL$ ,  $I_{VL} = I_{VSET} = 0mA$ ,  $V_{CS-} = V_{CS+} = 10V$ ,  $V_{BATT} = 4.5V$ ,  $V_{OFFV} = V_{CELL2} = 0V$ ,  $T_A = -40^{\circ}C$  to  $+85^{\circ}C$ , unless otherwise noted.)

PARAMETER	CONDITIONS	MIN	TYP	MAX	UNITS
<b>VL REGULATOR</b>					
DCIN Supply Current	$V_{DCIN} = 20V$ , $I_{DRV} = I_{VL} = 0mA$			5	mA
Output Voltage	$0mA < I_{VL} < 20mA$ , $3.7V < V_{DCIN} < 20V$	3.259		3.341	V
PWROK Trip Level	Rising VL edge, 2% hysteresis	2.9		3.1	V
VL Undervoltage-Lockout Level		2.5		3.0	V
<b>REFERENCE</b>					
Output Voltage	Measured at $V_{SET}$ , $I_{VSET} = 0mA$ , $V_{ON} = 0V$	-0.7%	1.650	+0.7%	V
Output Resistance		-2%	20	+2%	k $\Omega$
<b>CURRENT-SENSE AMPLIFIER</b>					
Transconductance	$V_{ISET} = 1.7V$ , $V_{CS+} - V_{CS-} = 165mV$	0.93		1.07	mA/V
Output Offset Current	$V_{CS+} = 4V$			5	$\mu A$
CS+, CS- Off Input Current	$V_{ON} = 0V$ , $V_{CS+} = V_{CS-} = 10V$			10	$\mu A$
<b>VOLTAGE LOOP</b>					
Voltage-Loop Set Point	$V_{VSET} = 1.650V$ , $V_{CELL2} = 0V$ , $I_{DRV} = 1mA$ , $V_{DRV} = 10V$	-0.35%	4.2	+0.35%	V
	$V_{VSET} = 1.650V$ , $V_{CELL2} = VL$ , $I_{DRV} = 1mA$ , $V_{DRV} = 10V$	-0.35%	8.4	+0.35%	
BATT Off Input Current	$V_{BATT} = 10V$ , $ON = GND$ , $CELL2 = GND$ or $VL$			1	$\mu A$
<b>CURRENT LOOP</b>					
Current-Loop Set Point	$I_{DRV} = 5mA$ , $V_{DRV} = 10V$	1.625		1.675	V
Overcurrent Trip Level	When $V_{ISET}$ exceeds this voltage, DRV current is disabled.	1.86		2.14	V
<b>DRIVER</b>					
DRV Sink Current	$V_{DRV} = 3V$	20			mA
DRV Off Current	$V_{DRV} = 20V$ , $ON = GND$			100	$\mu A$

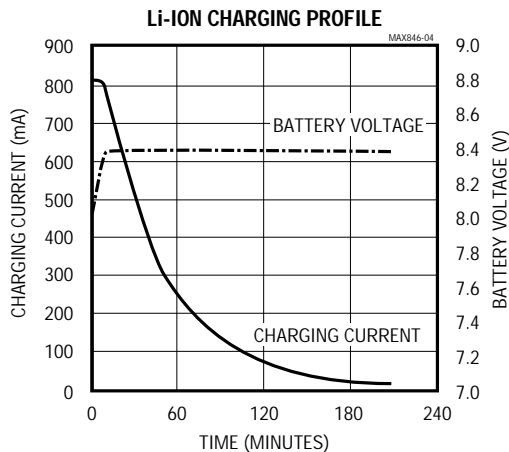
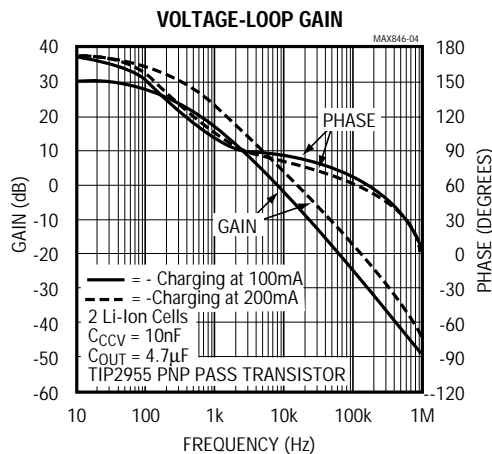
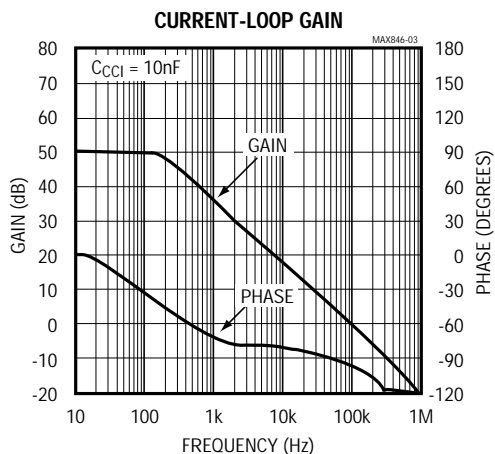
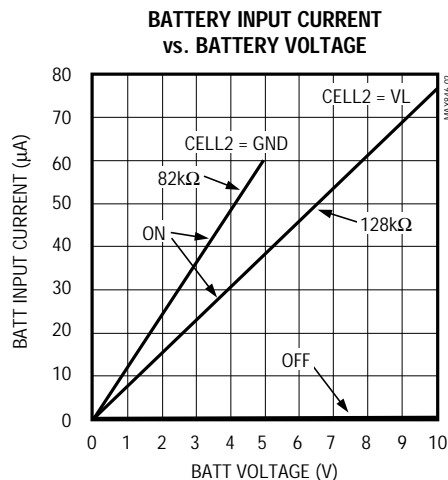
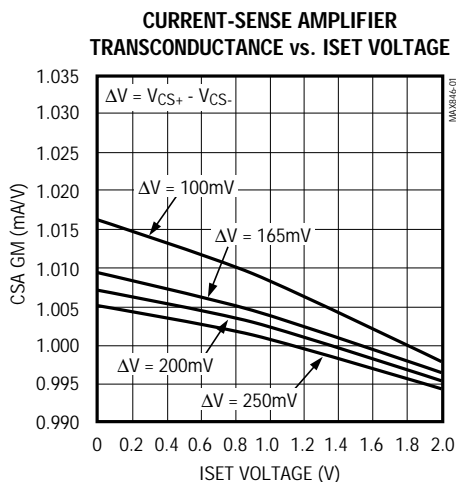
**Note 1:** Specifications to  $-40^{\circ}C$  are guaranteed by design and not production tested.

# Cost-Saving Multichemistry Battery-Charger System

## Typical Operating Characteristics

( $T_A = +25^\circ\text{C}$ , unless otherwise noted.)

MAX846A



# Cost-Saving Multichemistry Battery-Charger System

## Pin Description

PIN	NAME	FUNCTION
1	DCIN	Supply Input from External DC Source. $3.7V \leq V_{DCIN} \leq 20V$ .
2	VL	3.3V, 20mA, 1% Linear-Regulator Output. VL powers the system $\mu C$ and other components. Bypass to GND with a 4.7 $\mu F$ tantalum or ceramic capacitor.
3	CCI	Current-Regulation-Loop Compensation Pin. Connect a compensation capacitor (typically 10nF) from CCI to VL.
4	GND	Ground
5	CCV	Voltage-Regulation-Loop Compensation Pin. Connect a compensation capacitor (typically 10nF) from CCV to VL.
6	VSET	Float-Voltage Reference-Adjust Input. Leave VSET open for a 4.2V default. See the <i>Applications Information</i> section for adjustment information.
7	ISET	Current-Set Input/Current-Monitor Output. ISET sets the current-regulation point. Connect a resistor from ISET to GND to monitor the charging current. ISET voltage is regulated at 1.65V by the current-regulation loop. To adjust the current-regulation point, either modify the resistance from ISET to ground or connect a fixed resistor and adjust the voltage on the other side of the resistor (Figure 5). The transconductance of the current-sense amplifier is 1mA/V.
8	OFFV	Logic Input that disables the voltage-regulation loop. Set OFFV high for NiCd or NiMH batteries.
9	PWROK	Open-Drain, Power-Good Output to $\mu C$ . PWROK is low when VL is less than 3V. The reset timeout period can be set externally using an RC circuit (Figure 3).
10	CELL2	Digital Input. CELL2 programs the number of Li-Ion cells to be charged. A high level equals two cells; a low level equals one cell.
11	ON	Charger ON/OFF Input. When low, the driver section is turned off and $I_{BATT} < 1\mu A$ . The VL regulator is always active.
12	BATT	Battery Input. Connect BATT to positive battery terminal.
13	CS+	Current-Sense Amplifier High-Side Input. Connect CS+ to the sense resistor's power-source side. The sense resistor may be placed on either side of the pass transistor.
14	CS-	Current-Sense Amplifier Low-Side Input. Connect CS- to the sense resistor's battery side.
15	PGND	Power Ground
16	DRV	External Pass Transistor (P-channel MOSFET or PNP) Base/Gate Drive Output. DRV sinks current only.

### Detailed Description

The MAX846A battery-charging controller combines three functional blocks: a 3.3V precision, low-dropout linear regulator (LDO), a precision voltage reference, and a voltage/current regulator (Figure 1).

#### Linear Regulator

The LDO regulator output voltage (VL) is two times the internal reference voltage; therefore, the reference and LDO track. VL delivers up to 20mA to an external load and is short-circuit protected. The power-good output (PWROK) provides microcontroller ( $\mu C$ ) reset and charge-current inhibition.

#### Voltage Reference

The precision internal reference provides a voltage to accurately set the float voltage for lithium-ion (Li-Ion) battery charging. The reference output connects in series with an internal, 2%-accurate, 20k $\Omega$  resistor. This allows the float voltage to be adjusted using one external 1% resistor ( $R_{VSET}$ ) to form a voltage divider (Figure 4). The float-voltage accuracy is important for battery life and to ensure full capacity in Li-Ion batteries. Table 1 shows the accuracies attainable using the MAX846A.

# Cost-Saving Multichemistry Battery-Charger System

MAX846A

## Voltage/Current Regulator

The voltage/current regulator consists of a precision attenuator, voltage loop, current-sense amplifier, and current loop. The attenuator can be pin programmed to set the regulation voltage for one or two Li-Ion cells (4.2V and 8.4V, respectively). The current-sense amplifier is configured to sense the battery current on the high side. It is, in essence, a transconductance amplifier converting the voltage across an external sense resistor ( $R_{CS}$ ) to a current, and applying this current to an external load resistor ( $R_{ISET}$ ). Set the charge current by selecting  $R_{CS}$  and  $R_{ISET}$ . The charge current can also be adjusted by varying the voltage at the low side of  $R_{ISET}$  or by summing/subtracting current from the ISET node (Figure 5). The voltage and current loops are individually compensated using external capacitors at CCV and CCI, respectively. The outputs of these two loops are OR'ed together and drive an open-drain, internal N-channel MOSFET transistor sinking current to ground. An external P-channel MOSFET or PNP transistor pass element completes the loop.

## Stability

The *Typical Operating Characteristics* show the loop gains for the current loop and voltage loop. The dominant pole for each loop is set by the compensation capacitor connected to each capacitive compensation pin (CCI, CCV). The DC loop gains are about 50dB for the current loop and about 33dB for the voltage loop, for a battery impedance of 250m $\Omega$ .

The CCI output impedance (50k $\Omega$ ) and the CCI capacitor determine the current-loop dominant pole. In Figure 2, the recommended  $C_{CCV}$  is 10nF, which places a dominant pole at 300Hz. There is a high-frequency pole, due to the external PNP, at approximately  $f_T/\beta$ . This pole frequency (on the order of a few hundred kilohertz) will vary with the type of PNP used. Connect a 10nF capacitor between the base and emitter of the

PNP to prevent self-oscillation (due to the high-impedance base drive).

Similarly, the CCV output impedance (150k $\Omega$ ) and the CCV capacitor set the voltage-loop dominant pole. In Figure 2, the compensation capacitance is 10nF, which places a dominant pole at 200Hz.

The battery impedance directly affects the voltage-loop DC and high-frequency gain. At DC, the loop gain is proportional to the battery resistance. At higher frequencies, the AC impedance of the battery and its connections introduces an additional high-frequency zero. A 4.7 $\mu$ F output capacitor in parallel with the battery, mounted close to BATT, minimizes the impact of this impedance. The effect of the battery impedance on DC gain is noticeable in the Voltage-Loop-Gain graph (see *Typical Operating Characteristics*). The solid line represents voltage-loop gain versus frequency for a fully charged battery, when the battery energy level is high and the ESR is low. The charging current is 100mA. The dashed line shows the loop gain with a 200mA charging current, a lower amount of stored energy in the battery, and a higher battery ESR.

## Applications Information

### Stand-Alone Li-Ion Charger

Figure 2 shows the stand-alone configuration of the MAX846A. Select the external components and pin configurations as follows:

- Program the number of cells: Connect CELL2 to GND for one-cell operation, or to VL for two-cell operation.
- Program the float voltage: Connect a 1% resistor from VSET to GND to adjust the float voltage down, or to VL to adjust it up. If VSET is unconnected, the float voltage will be 4.2V per cell. Let the desired float voltage per cell be  $V_F$ , and calculate the resistor value as follows:

**Table 1. Float-Voltage Accuracy**

ERROR SOURCE	ERROR
Internal-reference accuracy	$\pm 0.5\%$
VSET error due to external divider. Calculated from a 2% internal 20k $\Omega$ resistor tolerance and a 1% external $R_{VSET}$ resistor tolerance. The total error is 3% x (adjustment). Assume max adjustment range of 5%.	$\pm 0.15\%$
VSET amplifier and divider accuracy	$\pm 0.25\%$
<b>TOTAL</b>	<b><math>\pm 0.9\%</math></b>

# Cost-Saving Multichemistry Battery-Charger System

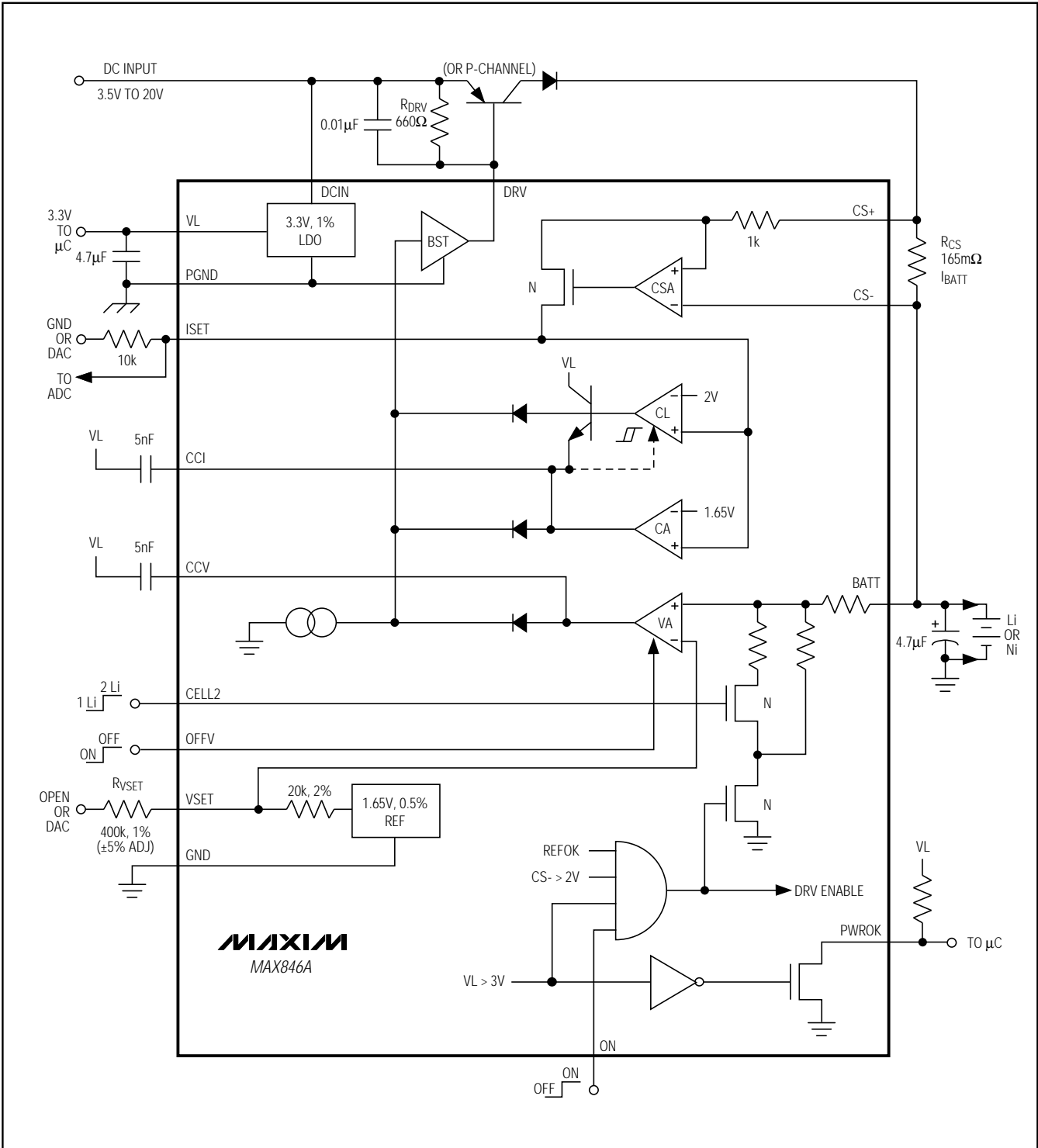


Figure 1. Functional Diagram



# Cost-Saving Multichemistry Battery-Charger System

MAX846A

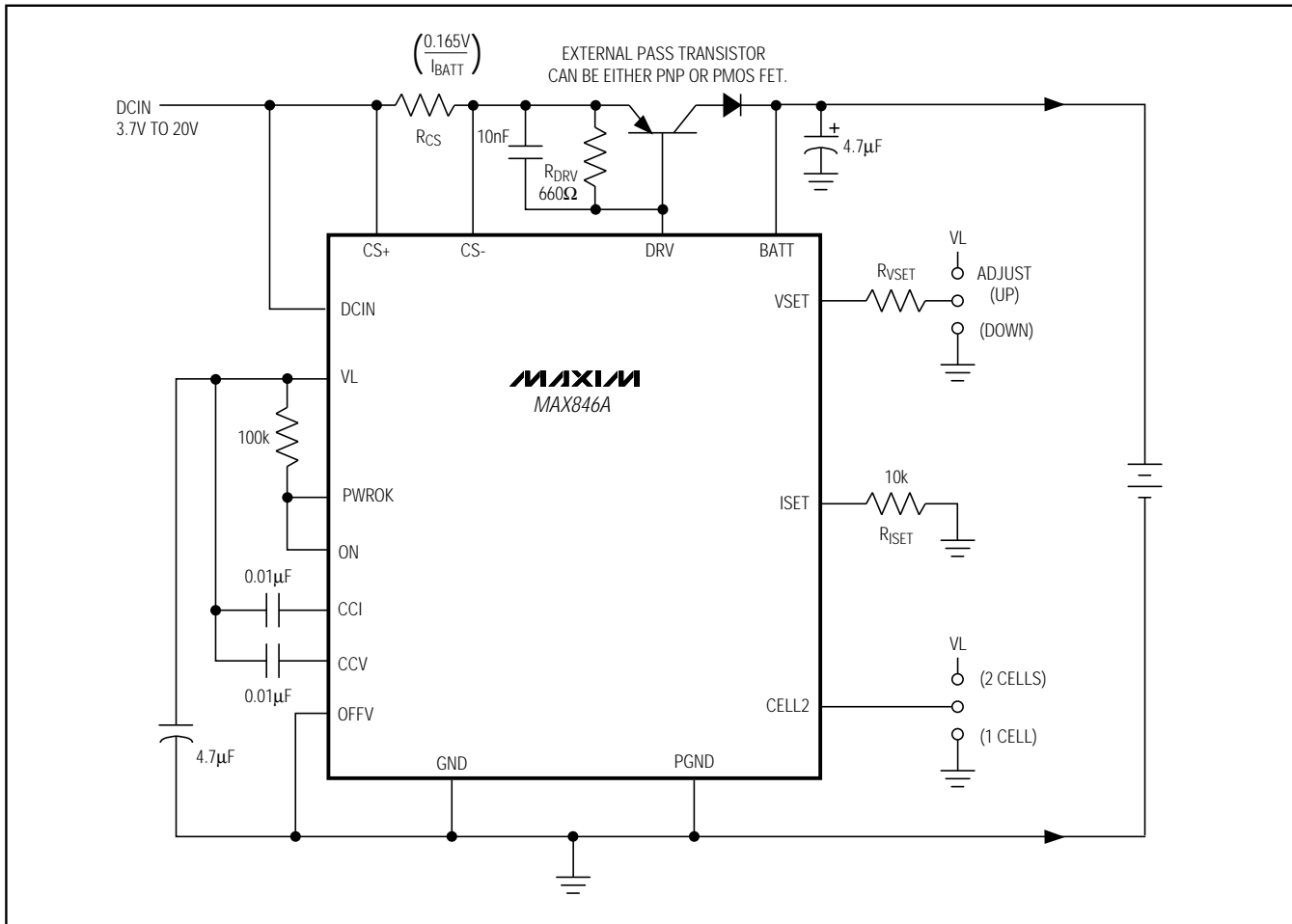


Figure 2. Stand-Alone Li-Ion Charger

$$R_{VSET} = 20k\Omega \left( \frac{4.2}{1.65} \frac{V_X - V_F}{V_F - 4.2} \right)$$

where  $V_X$  is either GND or VL, and  $V_F$  is the per-cell float voltage. In the circuit of Figure 1,  $R_{VSET}$  is 400kΩ.  $R_{VSET}$  and the internal 20kΩ resistor form a divider, resulting in an adjustment range of approximately ±5%.

The current-regulation loop attempts to maintain the voltage on ISET at 1.65V. Selecting resistor  $R_{ISET}$  determines the reflected voltage required at the current-sense amplifier input.

- Calculate  $R_{CS}$  and  $R_{ISET}$  as follows:

$$R_{CS} = V_{CS} / I_{BATT}$$

$$R_{ISET} \text{ (in } k\Omega) = 1.65V / V_{CS}$$

where the recommended value for  $V_{CS}$  is 165mV.

- Connect ON to PWROK to prevent the charge current from turning on until the voltages have settled.

Minimize power dissipation in the external pass transistor. Power dissipation can be controlled by setting the DCIN input supply as low as possible, or by making  $V_{DCIN}$  track the battery voltage.

## Microprocessor-Controlled Multichemistry Operation

The MAX846A is highly adjustable, allowing for simple interfacing with a low-cost  $\mu C$  to charge Ni-based and Li-Ion batteries using one application circuit (Figure 3).

# Cost-Saving Multichemistry Battery-Charger System

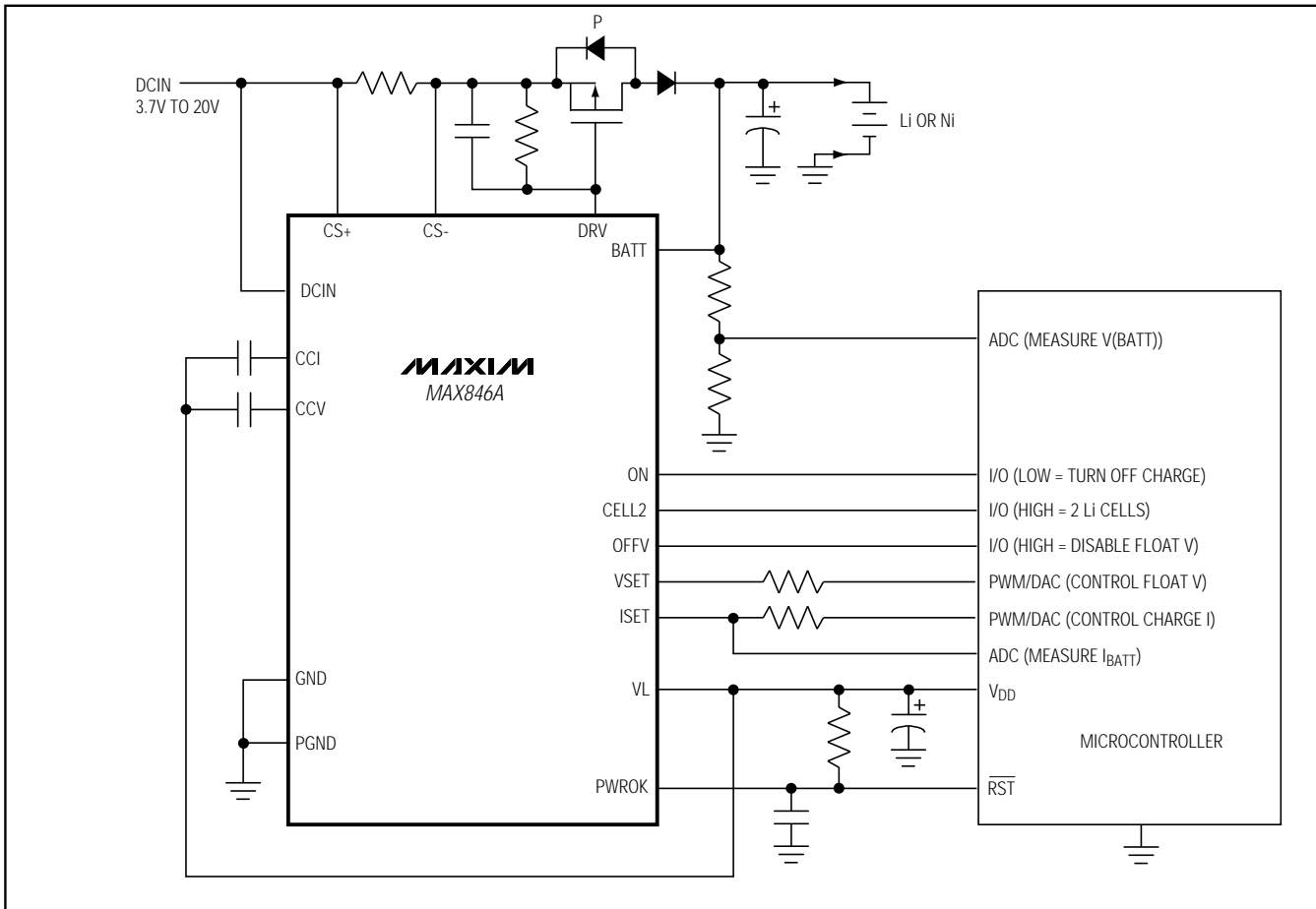


Figure 3. Desktop Multichemistry Charger Concept

Component selection is similar to that of stand-alone operation. By using DACs or  $\mu\text{C}$  PWM outputs, the float voltage and charging current can be adjusted by the  $\mu\text{C}$ . When a Ni-based battery is being charged, disable the float-voltage regulation using the OFFV input. The  $\mu\text{C}$  can also monitor the charge current through the battery by reading the ISET output's voltage using its ADC. Similarly, the battery voltage can be measured using a voltage divider from the battery.

Note that the  $\mu\text{C}$  only needs to configure the system for correct voltage and current levels for the battery being charged, and for Ni-based batteries to detect end-of-charge and adjust the current level to trickle. The controller is not burdened with the regulation task.

Float-voltage accuracy is important for battery life and for reaching full capacity for Li-Ion batteries. Table 1 shows the accuracy attainable using the MAX846A.

For best float-voltage accuracy, set the DRV current to 1mA ( $R_{\text{DRV}} = 660\Omega$  for a PNP pass transistor).

## High-Power Multichemistry Offline Charger

The circuit in Figure 6 minimizes power dissipation in the pass transistor by providing optical feedback to the input power source. The offline AC/DC converter maintains 1.2V across the PNP. This allows much higher charging currents than can be used with conventional power sources.

# Cost-Saving Multichemistry Battery-Charger System

MAX846A

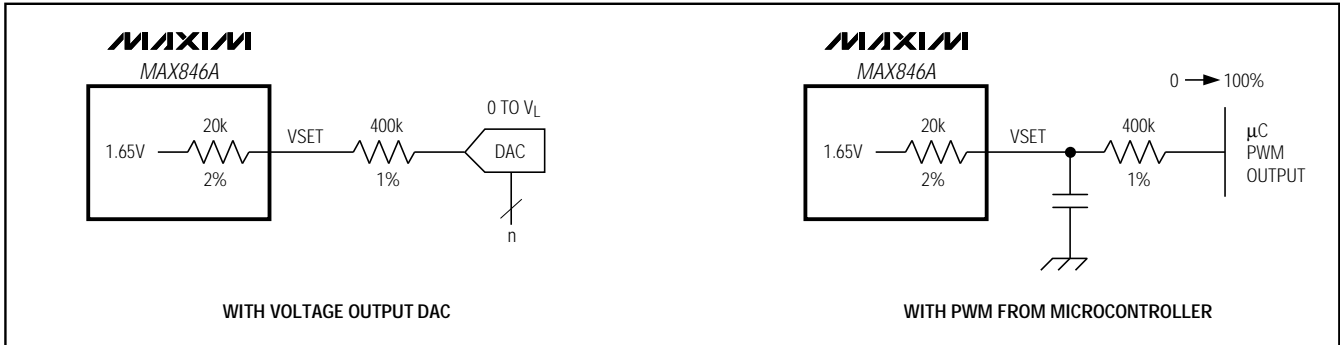


Figure 4. VSET Adjustment Methods

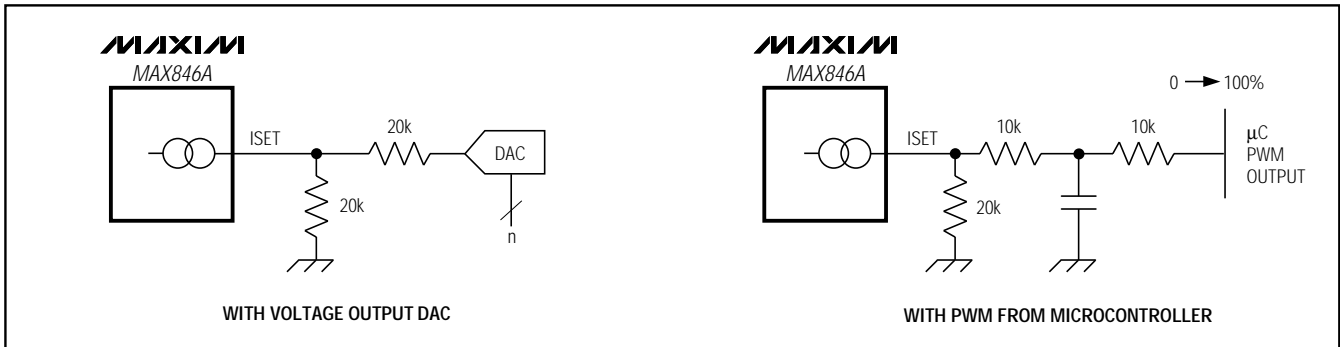


Figure 5. ISET Adjustment Methods

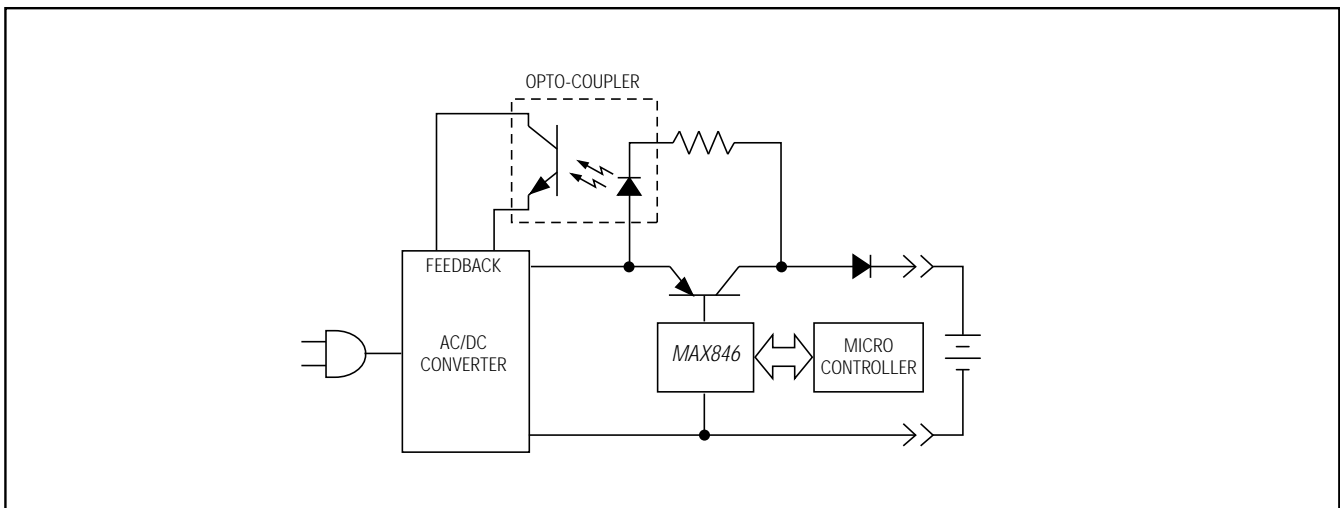
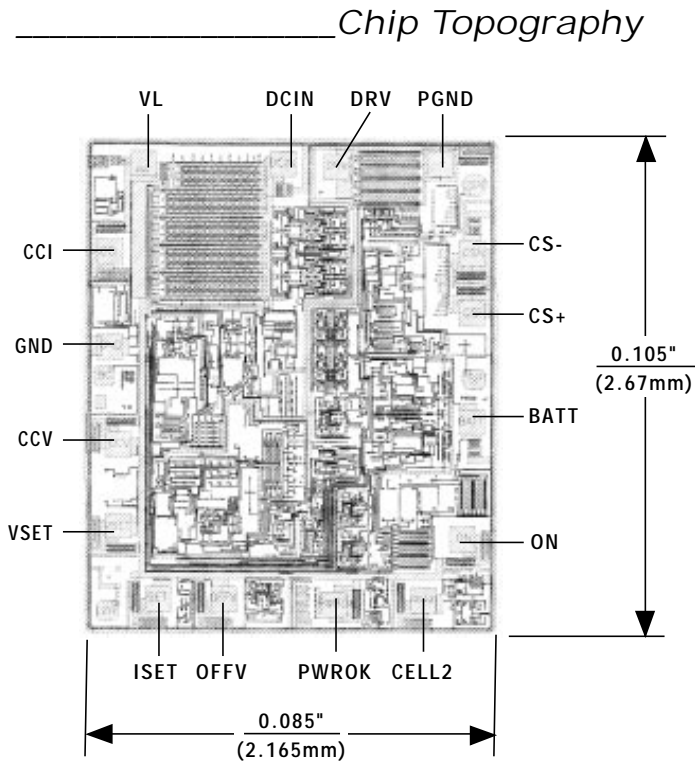


Figure 6. Low-Cost Desktop Multichemistry Charger Concept

# Cost-Saving Multichemistry Battery-Charger System

MAX846A



SUBSTRATE CONNECTED TO GND  
TRANSISTOR COUNT: 349

Maxim cannot assume responsibility for use of any circuitry other than circuitry entirely embodied in a Maxim product. No circuit patent licenses are implied. Maxim reserves the right to change the circuitry and specifications without notice at any time.

12 Maxim Integrated Products, 120 San Gabriel Drive, Sunnyvale, CA 94086 (408) 737-7600

© 1996 Maxim Integrated Products

Printed USA

MAXIM is a registered trademark of Maxim Integrated Products.