

# 2A, Low-Voltage, Step-Down Regulator with Synchronous Rectification and Internal Switches

## General Description

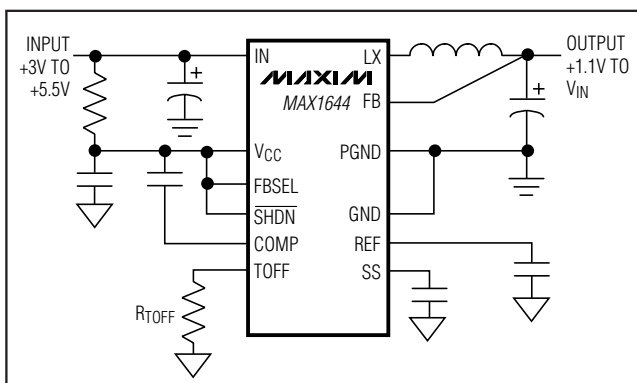
The MAX1644 constant-off-time, PWM step-down DC-DC converter is ideal for use in applications such as PC cards, CPU daughter cards, and desktop computer bus-termination boards. The device features internal synchronous rectification for high efficiency and reduced component count. It requires no external Schottky diode. The internal 0.10Ω PMOS power switch and 0.10Ω NMOS synchronous-rectifier switch easily deliver continuous load currents up to 2A. The MAX1644 produces a preset +3.3V or +2.5V output voltage or an adjustable output from +1.1V to  $V_{IN}$ . It achieves efficiencies as high as 95%.

The MAX1644 uses a unique current-mode, constant-off-time, PWM control scheme, which includes an Idle Mode™ to maintain high efficiency during light-load operation. The programmable constant-off-time architecture sets switching frequencies up to 350kHz, allowing the user to optimize performance trade-offs between efficiency, output switching noise, component size, and cost. The device also features an adjustable soft-start to limit surge currents during start-up, a 100% duty cycle mode for low-dropout operation, and a low-power shutdown mode that disconnects the input from the output and reduces supply current below 1μA. The MAX1644 is available in a 16-pin SSOP package.

## Applications

- +5V to +3.3V/+2.5V Conversion
- CPU I/O Supply
- +3.3V PC Card and CardBus Applications
- Notebook and Subnotebook Computers
- Desktop Bus-Termination Boards
- CPU Daughter Card Supply

## Typical Operating Circuit



Idle Mode is a trademark of Maxim Integrated Products, Inc.

## Features

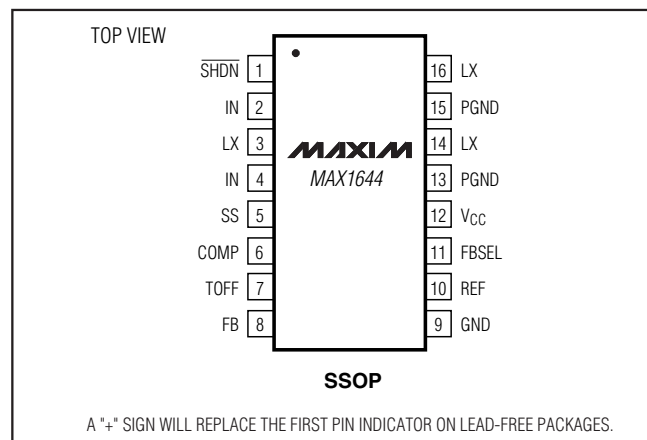
- ◆ ±1% Output Accuracy
- ◆ 95% Efficiency
- ◆ Internal PMOS and NMOS Switches
  - 70mΩ On-Resistance at  $V_{IN} = +4.5V$
  - 100mΩ On-Resistance at  $V_{IN} = +3V$
- ◆ Output Voltage
  - +3.3V or +2.5V Pin-Selectable
  - +1.1V to  $V_{IN}$  Adjustable
- ◆ +3V to +5.5V Input Voltage Range
- ◆ 360μA (max) Operating Supply Current
- ◆ < 1μA Shutdown Supply Current
- ◆ Programmable Constant-Off-Time Operation
- ◆ 350kHz (max) Switching Frequency
- ◆ Idle Mode Operation at Light Loads
- ◆ Thermal Shutdown
- ◆ Adjustable Soft-Start Inrush Current Limiting
- ◆ 100% Duty Cycle During Low-Dropout Operation
- ◆ Output Short-Circuit Protection
- ◆ 16-Pin SSOP Package

## Ordering Information

PART	TEMP RANGE	PIN-PACKAGE
MAX1644EAE	40°C to +85°C	16 SSOP
MAX1644EAE+	40°C to +85°C	16 SSOP

+Denotes lead-free package.

## Pin Configuration



# 2A, Low-Voltage, Step-Down Regulator with Synchronous Rectification and Internal Switches

## ABSOLUTE MAXIMUM RATINGS

V<sub>CC</sub>, I<sub>N</sub> to GND .....-0.3V to +6V  
 I<sub>N</sub> to V<sub>CC</sub> .....±0.3V  
 GND to PGND .....±0.3V  
 All Other Pins to GND .....-0.3V to (V<sub>CC</sub> + 0.3V)  
 LX Current (Note 1) .....±3.75A  
 REF Short Circuit to GND Duration .....Continuous  
 ESD Protection .....±2kV

Continuous Power Dissipation (T<sub>A</sub> = +70°C)  
 SSOP (derate 16.7mW/°C above +70°C;  
 part mounted on 1 in.<sup>2</sup> of 1oz. copper) .....1.2W  
 Operating Temperature Range .....-40°C to +85°C  
 Storage Temperature Range .....-65°C to +150°C  
 Lead Temperature (soldering, 10s) ..... +300°C

**Note 1:** LX has internal clamp diodes to PGND and I<sub>N</sub>. Applications that forward bias these diodes should take care not to exceed the IC's package power dissipation limits.

Stresses beyond those listed under "Absolute Maximum Ratings" may cause permanent damage to the device. These are stress ratings only, and functional operation of the device at these or any other conditions beyond those indicated in the operational sections of the specifications is not implied. Exposure to absolute maximum rating conditions for extended periods may affect device reliability.

## ELECTRICAL CHARACTERISTICS

(V<sub>IN</sub> = V<sub>CC</sub> = +3.3V, FBSEL = GND, T<sub>A</sub> = 0°C to +85°C, unless otherwise noted. Typical values are at T<sub>A</sub> = +25°C.)

PARAMETER	SYMBOL	CONDITIONS		MIN	TYP	MAX	UNITS
Input Voltage	V <sub>IN</sub> , V <sub>CC</sub>			3.0		5.5	V
Preset Output Voltage	V <sub>OUT</sub>	I <sub>LOAD</sub> = 0 to 2A, V <sub>FB</sub> = V <sub>OUT</sub>	V <sub>IN</sub> = V <sub>CC</sub> = 4V to 5.5V, FBSEL = unconnected	3.300	3.333	3.366	V
			V <sub>IN</sub> = V <sub>CC</sub> = 3V to 5.5V, FBSEL = V <sub>CC</sub>	2.500	2.525	2.550	
			V <sub>IN</sub> = V <sub>CC</sub> = 3V to 5.5V, FBSEL = REF	1.089	1.100	1.111	
Adjustable Output Voltage Range		V <sub>IN</sub> = V <sub>CC</sub> = 3V to 5.5V, I <sub>LOAD</sub> = 0, FBSEL = GND or REF		V <sub>REF</sub>		V <sub>IN</sub>	V
AC Load Regulation Error			FBSEL = GND	1			%
			FBSEL = REF, V <sub>CC</sub> , or unconnected	2			
DC Load Regulation Error			FBSEL = GND	0.2			%
			FBSEL = REF, V <sub>CC</sub> , or unconnected	0.4			
Dropout Voltage	V <sub>DO</sub>	V <sub>IN</sub> = V <sub>CC</sub> = 3V, I <sub>LOAD</sub> = 1A, FBSEL = V <sub>CC</sub>				200	mV
Reference Voltage	V <sub>REF</sub>			1.089	1.100	1.111	V
Reference Load Regulation	ΔV <sub>REF</sub>	I <sub>REF</sub> = -1μA to +10μA			0.5	1	mV
PMOS Switch On-Resistance	R <sub>ON, P</sub>	I <sub>LX</sub> = 0.5A	V <sub>IN</sub> = 4.5V	70		150	mΩ
			V <sub>IN</sub> = 3V	100		200	
NMOS Switch On-Resistance	R <sub>ON, N</sub>	I <sub>LX</sub> = 0.5A	V <sub>IN</sub> = 4.5V	70		150	mΩ
			V <sub>IN</sub> = 3V	100		200	
Current-Limit Threshold	I <sub>LIMIT</sub>			2.5	2.9	3.3	A
RMS LX Output Current						2.5	A
Idle Mode Current Threshold	I <sub>IM</sub>			0.25	0.45	0.65	A
Switching Frequency	f	(Note 2)				350	kHz
No-Load Supply Current	I <sub>IN</sub> + I <sub>CC</sub>	V <sub>FB</sub> = 1.2V			240	360	μA
Shutdown Supply Current	I <sub>CC(SHDN)</sub>	SHDN = GND			<1	3	μA
PMOS Switch Off-Leakage Current	I <sub>IN</sub>	SHDN = GND				15	μA
Thermal Shutdown Threshold	T <sub>SHDN</sub>	Hysteresis = 15°C			150		°C

# 2A, Low-Voltage, Step-Down Regulator with Synchronous Rectification and Internal Switches

MAX1644

## ELECTRICAL CHARACTERISTICS (continued)

( $V_{IN} = V_{CC} = +3.3V$ ,  $FBSEL = GND$ ,  $T_A = 0^{\circ}C$  to  $+85^{\circ}C$ , unless otherwise noted. Typical values are at  $T_A = +25^{\circ}C$ .)

PARAMETER	SYMBOL	CONDITIONS	MIN	TYP	MAX	UNITS
Undervoltage Lockout Threshold	$V_{UVLO}$	$V_{IN}$ falling, hysteresis = 40mV	2.5	2.6	2.7	V
FB Input Bias Current	$I_{FB}$	$V_{FB} = 1.2V$	0	80	200	nA
Off-Time Default Period	$t_{OFF}$	$R_{TOFF} = 150k\Omega$	1.13	1.33	1.53	$\mu s$
		$R_{TOFF} = 30.1k\Omega$	0.20	0.33		
		$R_{TOFF} = 499k\Omega$		4.3	5.6	
Off-Time Start-Up Period	$t_{OFF}$	$FB = GND$		$4 \cdot t_{OFF}$		$\mu s$
On-Time Period	$t_{ON}$		0.4			$\mu s$
SS Source Current	$I_{SS}$		3.5	5	6.5	$\mu A$
SS Sink Current	$I_{SS}$	$V_{SS} = 1V$	100			$\mu A$
$\overline{SHDN}$ Input Current	$I_{\overline{SHDN}}$	$V_{\overline{SHDN}} = 0$ to $V_{CC}$	-0.5		0.5	$\mu A$
$\overline{SHDN}$ Input Low Threshold	$V_{IL}$				0.8	V
$\overline{SHDN}$ Input High Threshold	$V_{IH}$		2.0			V
FBSEL Input Current			-5		+5	$\mu A$
FBSEL Logic Thresholds		$FBSEL = GND$			0.2	V
		$FBSEL = REF$	0.9		1.3	
		$FBSEL = \text{unconnected}$	$0.7 \cdot V_{CC} - 0.2$		$0.7 \cdot V_{CC} + 0.2$	
		$FBSEL = V_{CC}$	$V_{CC} - 0.2$			
Maximum Output RMS Current					5.8	ARMS

## ELECTRICAL CHARACTERISTICS

( $V_{IN} = V_{CC} = +3.3V$ ,  $FBSEL = GND$ ,  $T_A = -40^{\circ}C$  to  $+85^{\circ}C$ , unless otherwise noted. Typical values are at  $T_A = +25^{\circ}C$ .) (Note 3)

PARAMETER	SYMBOL	CONDITIONS	MIN	TYP	MAX	UNITS
Input Voltage	$V_{IN}$		3.0		5.5	V
Preset Output Voltage	$V_{OUT}$	$I_{LOAD} = 0$ to $2A$ , $V_{FB} = V_{OUT}$ , $V_{IN} = V_{CC} = 4V$ to $5.5V$ , $FBSEL = \text{unconnected}$	3.276		3.390	V
		$V_{IN} = 3V$ to $5.5V$ , $FBSEL = V_{CC}$	2.48		2.57	
		$V_{IN} = 3V$ to $5.5V$ , $FBSEL = REF$	1.08		1.12	
Adjustable Output Voltage		$V_{IN} = 3.0V$ to $5.5V$ , $I_{LOAD} = 0$ , $FBSEL = GND$ or $REF$	$V_{REF}$		$V_{IN}$	V
Reference Voltage	$V_{REF}$		1.08		1.12	V
PMOS Switch On-Resistance	$R_{ON, P}$	$I_{LX} = 0.5A$	$V_{IN} = 4.5V$		150	$m\Omega$
			$V_{IN} = 3V$		200	
NMOS Switch On-Resistance	$R_{ON, N}$	$I_{LX} = 0.5A$	$V_{IN} = 4.5V$		150	$m\Omega$
			$V_{IN} = 3V$		200	
Current-Limit Threshold	$I_{LIMIT}$		2.3		3.5	A
Idle Mode Current Threshold	$I_{IM}$		0.2		0.7	A
No-Load Supply Current	$I_{IN} + I_{CC}$	$V_{FB} = 1.2V$			360	$\mu A$
FB Input Bias Current	$I_{FB}$	$V_{FB} = 1.2V$	0		250	nA
Off-Time Default Period	$t_{OFF}$	$R_{TOFF} = 150k\Omega$	1.03		1.63	$\mu s$

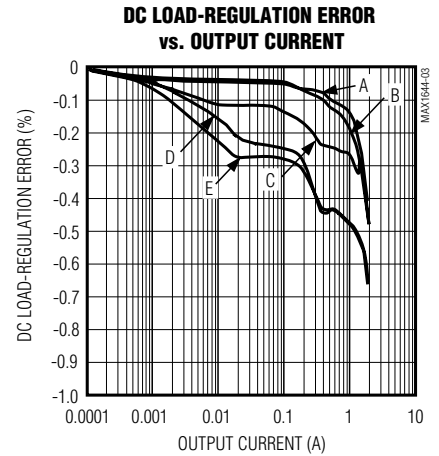
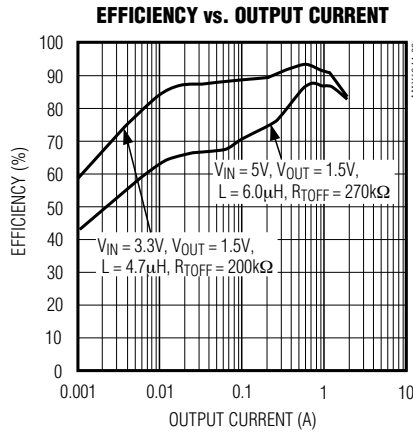
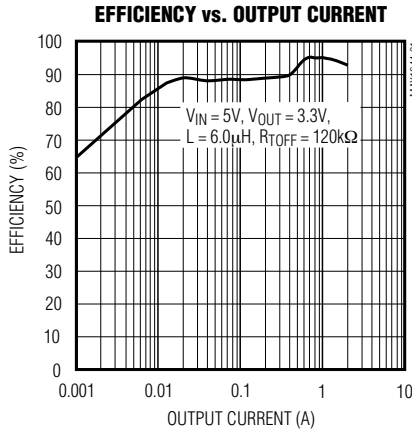
**Note 2:** Recommended operating frequency, not production tested.

**Note 3:** Specifications from  $0^{\circ}C$  to  $-40^{\circ}C$  are guaranteed by design, not production tested.

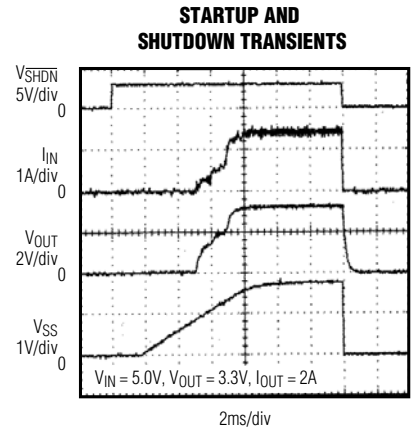
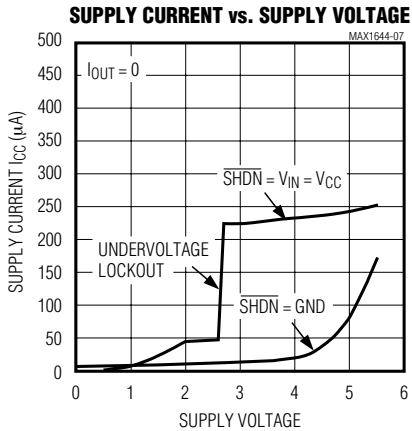
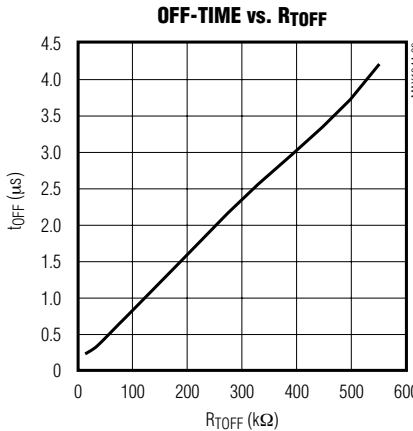
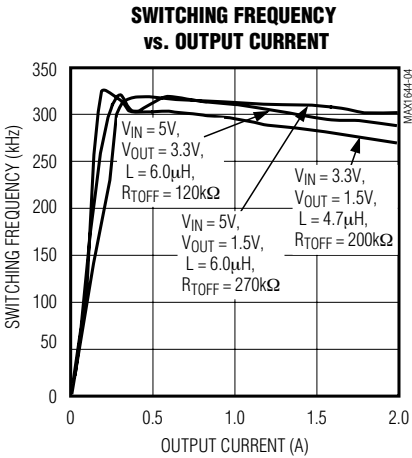
# 2A, Low-Voltage, Step-Down Regulator with Synchronous Rectification and Internal Switches

## Typical Operating Characteristics

(Circuit of Figure 1,  $T_A = +25^\circ\text{C}$ , unless otherwise noted.)



- A:  $V_{IN} = 3.3\text{V}$ ,  $V_{OUT} = 1.5\text{V}$ ,  $L = 4.7\mu\text{H}$ ,  $R_{TOFF} = 200\text{k}\Omega$ , FBSEL = GND
- B:  $V_{IN} = 3.3\text{V}$ ,  $V_{OUT} = 1.5\text{V}$ ,  $L = 4.7\mu\text{H}$ ,  $R_{TOFF} = 200\text{k}\Omega$ , FBSEL = REF
- C:  $V_{IN} = 5\text{V}$ ,  $V_{OUT} = 3.3\text{V}$ ,  $L = 6.0\mu\text{H}$ ,  $R_{TOFF} = 120\text{k}\Omega$ , FBSEL = OPEN
- D:  $V_{IN} = 5\text{V}$ ,  $V_{OUT} = 1.5\text{V}$ ,  $L = 6.0\mu\text{H}$ ,  $R_{TOFF} = 270\text{k}\Omega$ , FBSEL = GND
- E:  $V_{IN} = 5\text{V}$ ,  $V_{OUT} = 1.5\text{V}$ ,  $L = 6.0\mu\text{H}$ ,  $R_{TOFF} = 270\text{k}\Omega$ , FBSEL = REF

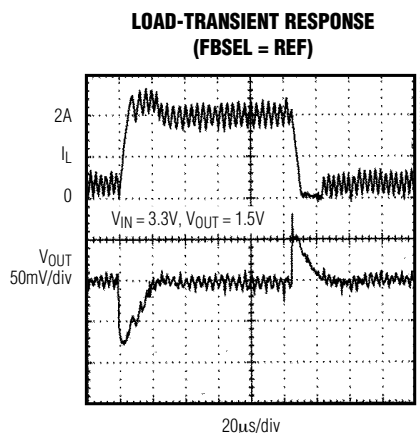
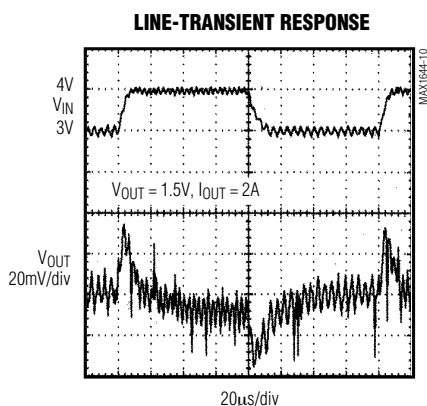


# 2A, Low-Voltage, Step-Down Regulator with Synchronous Rectification and Internal Switches

MAX1644

## Typical Operating Characteristics (continued)

(Circuit of Figure 1,  $T_A = +25^\circ\text{C}$ , unless otherwise noted.)



## Pin Description

PIN	NAME	FUNCTION
1	$\overline{\text{SHDN}}$	Shutdown Control Input. Drive $\overline{\text{SHDN}}$ low to disable the reference, control circuitry, and internal MOSFETs. Drive high or connect to $V_{CC}$ for normal operation.
2, 4	IN	Supply Voltage Input for the internal PMOS power switch
3, 14, 16	LX	Connection for the drains of the PMOS power switch and NMOS synchronous-rectifier switch. Connect the inductor from this node to output filter capacitor and load.
5	SS	Soft-Start. Connect a capacitor from SS to GND to limit inrush current during start-up.
6	COMP	Integrator Compensation. Connect a capacitor from COMP to $V_{CC}$ for integrator compensation. See the <i>Integrator Amplifier</i> section.
7	TOFF	Off-Time Select Input. Sets the PMOS power switch off-time during constant-off-time operation. Connect a resistor from TOFF to GND to adjust the PMOS switch off-time.
8	FB	Feedback Input for both preset-output and adjustable-output operating modes. Connect directly to output for fixed-voltage operation or to a resistor-divider for adjustable operating modes.
9	GND	Analog Ground
10	REF	Reference Output. Bypass REF to GND with a $1\mu\text{F}$ capacitor.
11	FBSEL	Feedback Select Input. Selects AC load-regulation error and output voltage. See Table 2 for programming instructions.
12	$V_{CC}$	Analog Supply Voltage Input. Supplies internal analog circuitry. Bypass $V_{CC}$ with a $10\Omega$ and $2.2\mu\text{F}$ low-pass filter. See Figure 1.
13, 15	PGND	Power Ground. Internally connected to the internal NMOS synchronous-rectifier switch.

## 2A, Low-Voltage, Step-Down Regulator with Synchronous Rectification and Internal Switches

### Detailed Description

The MAX1644 synchronous, current-mode, constant-off-time, PWM DC-DC converter steps down input voltages of +3V to +5.5V to a preset output voltage of either +3.3V or +2.5V, or to an adjustable output voltage from +1.1V to  $V_{IN}$ . The device delivers up to 2A of continuous load current. Internal switches composed of a  $0.1\Omega$  PMOS power switch and a  $0.1\Omega$  NMOS synchronous-rectifier switch improve efficiency, reduce component count, and eliminate the need for an external Schottky diode.

The MAX1644 optimizes performance by operating in constant-off-time mode under heavy loads and in Maxim's proprietary Idle Mode under light loads. A single resistor-programmable constant-off-time control sets switching frequencies up to 350kHz, allowing the user to optimize performance trade-offs in efficiency, switching noise, component size, and cost. Under low-dropout conditions, the device operates in a 100% duty-cycle mode, where the PMOS switch remains permanently on. Idle Mode enhances light-load efficiency by skipping cycles, thus reducing transition and gate-charge losses.

When power is drawn from a regulated supply, constant-off-time PWM architecture essentially provides constant-frequency operation. This architecture has the inherent advantage of quick response to line and load transients.

The MAX1644's current-mode, constant-off-time PWM architecture regulates the output voltage by changing the PMOS switch on-time relative to the constant off-time. Increasing the on-time increases the peak inductor current and the amount of energy transferred to the load per pulse.

### Modes of Operation

The current through the PMOS switch determines the mode of operation: constant-off-time mode (for load currents greater than 0.2A) or Idle Mode (for load currents less than 0.2A). Current sense is achieved through a proprietary architecture that eliminates current-sensing  $I^2R$  losses.

### Constant-Off-Time Mode

Constant-off-time operation occurs when the current through the PMOS switch is greater than the Idle Mode threshold current (0.4A, which corresponds to a load current of 0.2A). In this mode, the regulation comparator turns the PMOS switch on at the end of each off-time, keeping the device in continuous-conduction mode. The PMOS switch remains on until the output is in regulation or the current limit is reached. When the PMOS switch turns off, it remains off for the pro-

grammed off-time ( $t_{OFF}$ ). If the output falls dramatically out of regulation—approximately  $V_{FB} / 4$ —the PMOS switch remains off for approximately four times  $t_{OFF}$ . The NMOS synchronous rectifier turns on shortly after the PMOS switch turns off, and it remains on until shortly before the PMOS switch turns back on.

### Idle Mode

Under light loads, the device improves efficiency by switching to a pulse-skipping Idle Mode. Idle Mode operation occurs when the current through the PMOS switch is less than the Idle Mode threshold current. Idle Mode forces the PMOS to remain on until the current through the switch reaches 0.4A, thus minimizing the unnecessary switching that degrades efficiency under light loads. In Idle Mode, the device operates in discontinuous conduction. Current-sense circuitry monitors the current through the NMOS synchronous switch, turning it off before the current reverses. This prevents current from being pulled from the output filter through the inductor and NMOS switch to ground. As the device switches between operating modes, no major shift in circuit behavior occurs.

### 100% Duty-Cycle Operation

When the input voltage drops near the output voltage, the duty cycle increases until the PMOS MOSFET is on continuously. The dropout voltage in 100% duty cycle is the output current multiplied by the on-resistance of the internal PMOS switch and parasitic resistance in the inductor. The PMOS switch remains on continuously as long as the current limit is not reached.

### Shutdown

Drive  $\overline{SHDN}$  to a logic-level low to place the MAX1644 in low-power shutdown mode and reduce supply current to less than  $1\mu A$ . In shutdown, all circuitry and internal MOSFETs turn off, and the LX node becomes high impedance. Drive  $\overline{SHDN}$  to a logic-level high or connect to  $V_{CC}$  for normal operation.

### Summing Comparator

Three signals are added together at the input of the summing comparator (Figure 1): an output voltage error signal relative to the reference voltage, an integrated output voltage error correction signal, and the sensed PMOS switch current. The integrated error signal is provided by a transconductance amplifier with an external capacitor at COMP. This integrator provides high DC accuracy without the need for a high-gain amplifier. Connecting a capacitor at COMP modifies the overall loop response (see the *Integrator Amplifier* section).

# 2A, Low-Voltage, Step-Down Regulator with Synchronous Rectification and Internal Switches

MAX1644

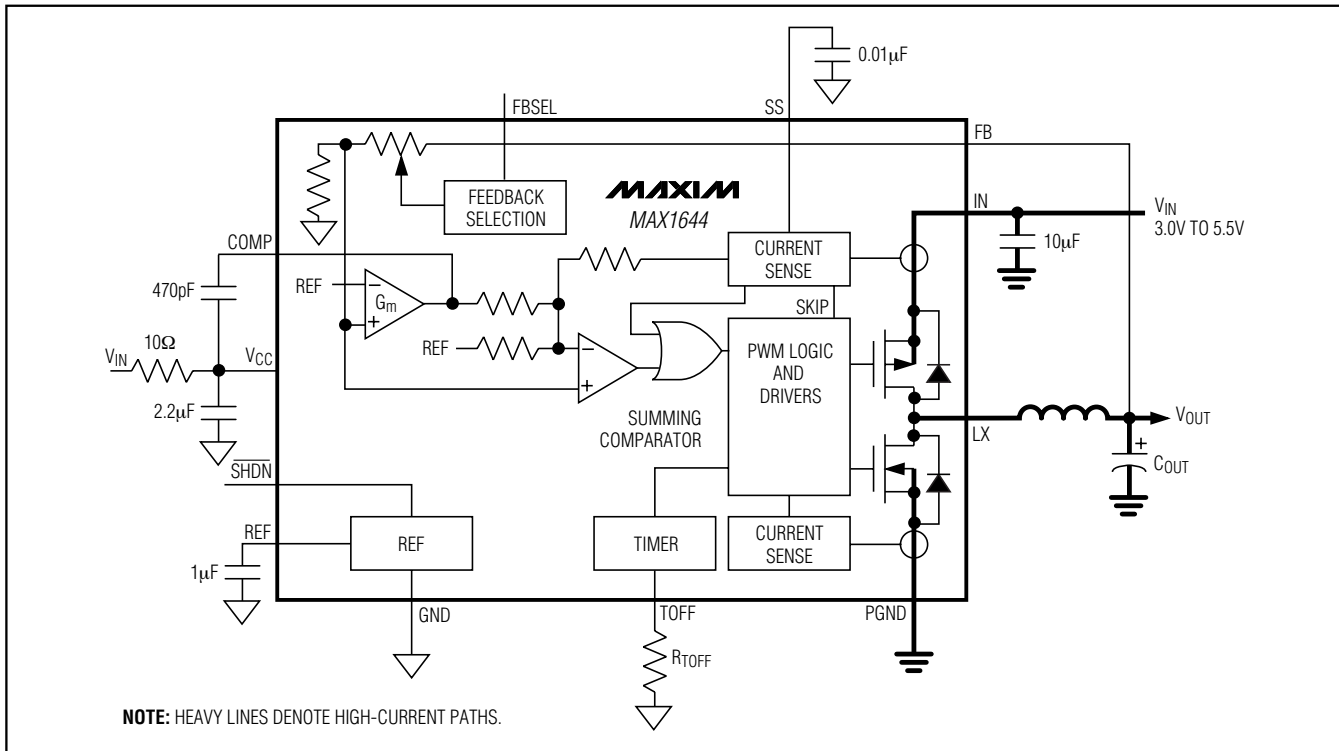


Figure 1. Functional Diagram

## Synchronous Rectification

In a step-down regulator without synchronous rectification, an external Schottky diode provides a path for current to flow when the inductor is discharging. Replacing the Schottky diode with a low-resistance NMOS synchronous switch reduces conduction losses and improves efficiency.

The NMOS synchronous-rectifier switch turns on following a short delay after the PMOS power switch turns off, thus preventing cross conduction or “shoot through.” In constant-off-time mode, the synchronous-rectifier switch turns off just prior to the PMOS power switch turning on. While both switches are off, inductor current flows through the internal body diode of the NMOS switch. The internal body diode’s forward voltage is relatively high.

## Thermal Resistance

Junction-to-ambient thermal resistance,  $\theta_{JA}$ , is highly dependent on the amount of copper area immediately surrounding the IC leads. The MAX1644 evaluation kit has 0.5 in.<sup>2</sup> of copper area and a thermal resistance of 60°C/W with no airflow. Airflow over the IC significantly reduces the junction-to-ambient thermal resistance. For

heatsinking purposes, evenly distribute the copper area connected at the IC among the high-current pins.

## Power Dissipation

Power dissipation in the MAX1644 is dominated by conduction losses in the two internal power switches. Power dissipation due to supply current in the control section and average current used to charge and discharge the gate capacitance of the internal switches are less than 30mW at 300kHz. This number is reduced when the switching frequency decreases as the part enters Idle Mode. Combined conduction losses in the two power switches are approximated by:

$$P_D = I_{OUT}^2 \cdot R_{ON}$$

The junction-to-ambient thermal resistance required to dissipate this amount of power is calculated by:

$$\theta_{JA} = (T_{J,MAX} - T_{A,MAX}) / P_D$$

where:  $\theta_{JA}$  = junction-to-ambient thermal resistance

$T_{J,MAX}$  = maximum junction temperature

$T_{A,MAX}$  = maximum ambient temperature

## 2A, Low-Voltage, Step-Down Regulator with Synchronous Rectification and Internal Switches

### Design Procedure

For typical applications, use the recommended component values in Table 1. For other applications, take the following steps:

- 1) Select the desired PWM-mode switching frequency; 300kHz is a good starting point.
- 2) Select the constant-off-time as a function of input voltage, output voltage, and switching frequency.
- 3) Select  $R_{TOFF}$  as a function of off-time.
- 4) Select the inductor as a function of output voltage, off-time, and peak-to-peak inductor current.

**Table 1. Recommended Component Values ( $I_{OUT} = 2A$ ,  $f_{PWM} = 300kHz$ )**

$V_{IN}$ (V)	$V_{OUT}$ (V)	L ( $\mu H$ )	$R_{TOFF}$ (k $\Omega$ )
5	3.3	6.0	120
5	2.5	6.8	180
5	1.8	6.8	240
5	1.5	6.0	270
3.3	2.5	3.3	82
3.3	1.8	4.7	180
3.3	1.5	4.7	200

**Table 2. Output Voltage and AC Load-Regulation Selection**

PIN		OUTPUT VOLTAGE (V)	AC LOAD-REGULATION ERROR (%)
FBSEL	FB		
VCC	Output Voltage	2.5	2
Unconnected	Output Voltage	3.3	2
REF	Resistor Divider	Adjustable	2
GND	Resistor Divider	Adjustable	1

### Setting the Output Voltage

The output of the MAX1644 is selectable between one of two preset output voltages: (2.5V or 3.3V) with a 2% AC load-regulation error, or an adjustable output voltage from the reference voltage (nominally 1.1V) up to  $V_{IN}$  with a 1% or 2% AC load-regulation error. For a preset output voltage, connect FB to the output voltage, and connect FBSEL to VCC (2.5V output voltage) or

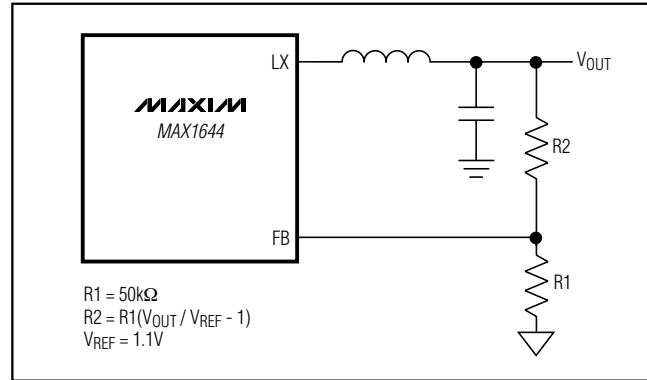


Figure 2. Adjustable Output Voltage

leave unconnected (3.3V output voltage). Internal resistor-dividers divide down the output voltage, regulating the divided voltage to the internal reference voltage. For output voltages other than 2.5V or 3.3V, or for tighter AC load regulation, connect FBSEL to GND (1% regulation) or to REF (2% regulation), and connect FB to a resistor divider between the output voltage and ground (Figure 2). Regulation is maintained for adjustable output voltages when  $V_{FB}$  equals  $V_{REF}$ . Use 50k $\Omega$  for R1. R2 is given by the equation:

$$R2 = R1 \left( \frac{V_{OUT}}{V_{REF}} - 1 \right)$$

where  $V_{REF}$  is typically 1.1V.

### Programming the Switching Frequency and Off-Time

The MAX1644 features a programmable PWM mode switching frequency, which is set by the input and output voltage and the value of  $R_{TOFF}$ , connected from TOFF to GND.  $R_{TOFF}$  sets the PMOS power switch off-time in PWM mode. Use the following equation to select the off-time according to your desired switching frequency in PWM mode ( $I_{OUT} > 0.2A$ ):

$$t_{OFF} = \frac{(V_{IN} - V_{OUT} - V_{PMOS})}{f_{PWM}(V_{IN} - V_{PMOS} + V_{NMOS})}$$

where:

- $t_{OFF}$  = the programmed off-time
- $V_{IN}$  = the input voltage
- $V_{OUT}$  = the output voltage
- $V_{NMOS}$  = the voltage drop across the internal PMOS power switch
- $V_{PMOS}$  = the voltage drop across the internal NMOS synchronous-rectifier switch



## 2A, Low-Voltage, Step-Down Regulator with Synchronous Rectification and Internal Switches

$f_{\text{PWM}}$  = switching frequency in PWM mode ( $I_{\text{OUT}} > 0.2\text{A}$ )

Select  $R_{\text{TOFF}}$  according to the formula:

$$R_{\text{TOFF}} = (t_{\text{OFF}} - 0.07\mu\text{s}) (150\text{k}\Omega / 1.26\mu\text{s})$$

Recommended values for  $R_{\text{TOFF}}$  range from 39k $\Omega$  to 470k $\Omega$  for off-times of 0.4 $\mu\text{s}$  to 4 $\mu\text{s}$ .

### Inductor Selection

Three key inductor parameters must be specified: inductor value (L), peak current ( $I_{\text{PEAK}}$ ), and DC resistance ( $R_{\text{DC}}$ ). The following equation includes a constant, denoted as LIR, which is the ratio of peak-to-peak inductor AC current (ripple current) to maximum DC load current. A higher value of LIR allows smaller inductance but results in higher losses and ripple. A good compromise between size and losses is found at approximately a 25% ripple-current to load-current ratio (LIR = 0.25), which corresponds to a peak inductor current 1.125 times higher than the DC load current:

$$L = \frac{V_{\text{OUT}} \times t_{\text{OFF}}}{I_{\text{OUT}} \times \text{LIR}}$$

where:  $I_{\text{OUT}}$  = maximum DC load current

LIR = ratio of peak-to-peak AC inductor current to DC load current, typically 0.25

The peak inductor current at full load is  $1.125 \cdot I_{\text{OUT}}$  if the above equation is used; otherwise, the peak current is calculated by:

$$I_{\text{PEAK}} = I_{\text{OUT}} + \frac{V_{\text{OUT}} \times t_{\text{OFF}}}{2 \times L}$$

Choose an inductor with a saturation current at least as high as the peak inductor current. To minimize loss, choose an inductor with a low DC resistance.

### Capacitor Selection

The input filter capacitor reduces peak currents and noise at the voltage source. Use a low-ESR and low-ESL capacitor located no further than 5mm from IN. Select the input capacitor according to the RMS input ripple-current requirements and voltage rating:

$$I_{\text{RIPPLE}} = I_{\text{LOAD}} \frac{\sqrt{V_{\text{OUT}}(V_{\text{IN}} - V_{\text{OUT}})}}{V_{\text{IN}}}$$

The output filter capacitor affects the output voltage ripple, output load-transient response, and feedback loop stability. For stable operation, the MAX1644 requires a minimum output ripple voltage of  $V_{\text{RIPPLE}} \geq 2\% \cdot V_{\text{OUT}}$  (with 2% load regulation setting).

The minimum ESR of the output capacitor should be:

$$\text{ESR} > 1\% \times \frac{L}{t_{\text{OFF}}}$$

Stable operation requires the correct output filter capacitor. When choosing the output capacitor, ensure that:

$$C_{\text{OUT}} \geq (t_{\text{OFF}} / V_{\text{OUT}}) \times (64\mu\text{FV} / \mu\text{s})$$

With an AC load regulation setting of 1%, the  $C_{\text{OUT}}$  requirement doubles, and the minimum ESR of the output capacitor is halved.

### Integrator Amplifier

An internal transconductance amplifier fine tunes the output DC accuracy. A capacitor,  $C_{\text{COMP}}$ , from COMP to VCC compensates the transconductance amplifier. For stability, choose:

$$C_{\text{COMP}} \geq 470\text{pF}$$

A large capacitor value maintains a constant average output voltage but slows the loop response to changes in output voltage. A small capacitor value speeds up the loop response to changes in output voltage but decreases stability. Choose the capacitor values that result in optimal performance.

### Setting the AC Loop Gain

The MAX1644 allows selection of a 1% or 2% AC load-regulation error when the adjustable output voltage mode is selected (Table 2). A 2% setting is automatically selected in preset output voltage mode (FBSEL connected to VCC or unconnected). A 2% load-regulation error setting reduces output filter capacitor requirements, allowing the use of smaller and less expensive capacitors. Selecting a 1% load-regulation error reduces transient load errors, but requires larger capacitors.

## 2A Low-Voltage, Step-Down Regulator with Synchronous Rectification and Internal Switches

### Soft-Start

Soft-start allows a gradual increase of the internal current limit to reduce input surge currents at start-up and at exit from shutdown. A charging capacitor,  $C_{SS}$ , placed from SS to GND sets the rate at which the internal current limit is changed. Upon power-up, when the device comes out of undervoltage lockout (2.6V typ) or after the  $\overline{\text{SHDN}}$  pin is pulled high, a  $5\mu\text{A}$  constant-current source charges the soft-start capacitor and the voltage on SS increases. When the voltage on SS is less than approximately 0.7V, the current limit is set to zero. As the voltage increases from 0.7V to approximately 1.8V, the current limit is adjusted from 0 to 2.9A. The voltage across the soft-start capacitor changes with time according to the equation:

$$V_{SS} = \frac{5\mu\text{A} \times t}{C_{SS}}$$

The soft-start current limit varies with the voltage on the soft-start pin, SS, according to the equation:

$$I_{LIMIT} = (V_{SS} - 0.7\text{V}) \cdot 2.7\text{A/V}, \text{ for } V_{SS} > 0.7\text{V}$$

The constant-current source stops charging once the voltage across the soft-start capacitor reaches 1.8V (Figure 3).

### Circuit Layout and Grounding

Good layout is necessary to achieve the MAX1644's intended output power level, high efficiency, and low noise. Good layout includes the use of a ground plane, appropriate component placement, and correct routing of traces using appropriate trace widths. The following points are in order of decreasing importance:

- 1) Minimize switched-current and high-current ground loops. Connect the input capacitor's ground, the output capacitor's ground, and PGND together.

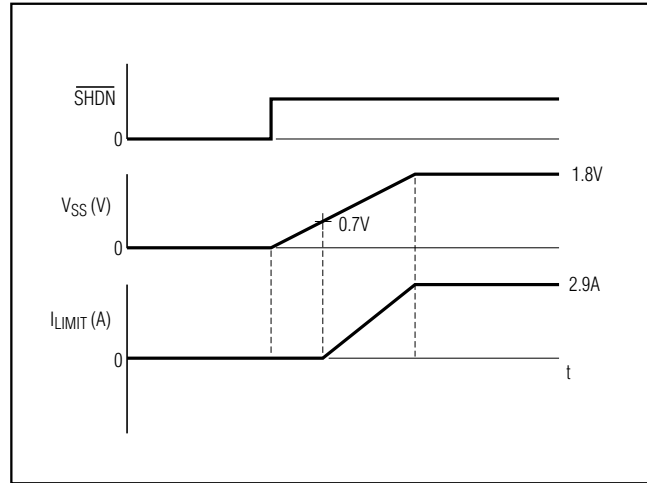


Figure 3. Soft-Start Current Limit over Time

- 2) Connect the input filter capacitor less than 5mm away from IN. The connecting copper trace carries large currents and must be at least 2mm wide, preferably 5mm.
- 3) Place the LX node components as close together and as near to the device as possible. This reduces resistive and switching losses as well as noise.
- 4) A ground plane is essential for optimum performance. In most applications, the circuit is located on a multilayer board, and full use of the four or more layers is recommended. Use the top and bottom layers for interconnections and the inner layers for an uninterrupted ground plane.

### Chip Information

TRANSISTOR COUNT: 1758

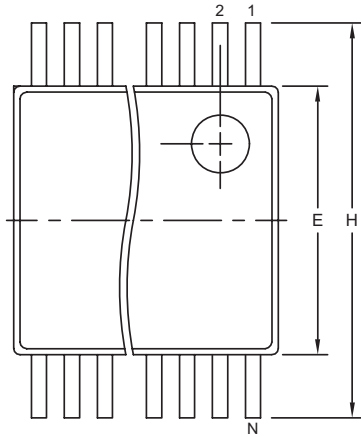
# 2A, Low-Voltage, Step-Down Regulator with Synchronous Rectification and Internal Switches

## Package Information

(The package drawing(s) in this data sheet may not reflect the most current specifications. For the latest package outline information, go to [www.maxim-ic.com/packages](http://www.maxim-ic.com/packages).)

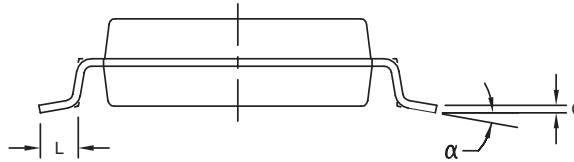
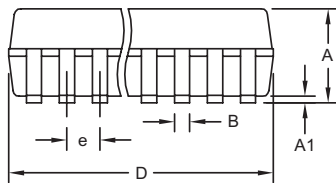
**MAX1644**

SSOP-EPS



DIM	INCHES		MILLIMETERS	
	MIN	MAX	MIN	MAX
A	0.068	0.078	1.73	1.99
A1	0.002	0.008	0.05	0.21
B	0.010	0.015	0.25	0.38
C	0.004	0.008	0.09	0.20
D	SEE VARIATIONS			
E	0.205	0.212	5.20	5.38
e	0.0256 BSC		0.65 BSC	
H	0.301	0.311	7.65	7.90
L	0.025	0.037	0.63	0.95
$\alpha$	0 $^{\circ}$	8 $^{\circ}$	0 $^{\circ}$	8 $^{\circ}$

D	INCHES		MILLIMETERS		N
	MIN	MAX	MIN	MAX	
D	0.239	0.249	6.07	6.33	14L
D	0.239	0.249	6.07	6.33	16L
D	0.278	0.289	7.07	7.33	20L
D	0.317	0.328	8.07	8.33	24L
D	0.397	0.407	10.07	10.33	28L



**NOTES:**

1. D&E DO NOT INCLUDE MOLD FLASH.
2. MOLD FLASH OR PROTRUSIONS NOT TO EXCEED .15 MM (.006").
3. CONTROLLING DIMENSION: MILLIMETERS.
4. MEETS JEDEC MO150.
5. LEADS TO BE COPLANAR WITHIN 0.10 MM.

<small>PROPRIETARY INFORMATION</small>	
<b>TITLE:</b> PACKAGE OUTLINE, SSOP, 5.3 MM	
<small>APPROVAL</small>	<small>DOCUMENT CONTROL NO.</small> 21-0056
<small>REV.</small> C	<small>1/1</small>

Maxim cannot assume responsibility for use of any circuitry other than circuitry entirely embodied in a Maxim product. No circuit patent licenses are implied. Maxim reserves the right to change the circuitry and specifications without notice at any time.

**Maxim Integrated Products, 120 San Gabriel Drive, Sunnyvale, CA 94086 408-737-7600** \_\_\_\_\_ 11