



Software-Selectable, Half-/Full-Duplex, Slew-Rate-Limited, 12Mbps, RS-485/RS-422 Transceivers in μ MAX Package

General Description

The MAX1481/MAX1484/MAX1485/MAX1486 provide software-selectable, half-/full-duplex, low-power, slew-rate-limited, and high-speed (12Mbps) RS-485/RS-422 operation in a 10-pin μ MAX[®] package—the smallest 10-pin package available.

The software-selectable, half-/full-duplex MAX1485/MAX1486 make obsolete the normally larger and more expensive solutions required for selectable half-/full-duplex RS-485/RS-422 operation: 1) a 14-pin, full-duplex transceiver configured via jumpers between receiver and transmitter lines, or 2) two 8-pin, half-duplex transceivers, which require an additional inverter logic gate for software selectability.

The MAX1481/MAX1484 are functionally equivalent to the industry-standard MAX491 and 75180, and are designed for space-constrained, full-duplex RS-422 applications.

All parts contain one driver and one receiver and feature a 1/8-unit-load receiver input impedance, allowing up to 256 transceivers on the bus. The MAX1481/MAX1485 feature reduced-slew-rate drivers that minimize EMI and reduce reflections caused by improperly terminated cables, allowing error-free data transmission up to 250kbps. The MAX1484/MAX1486 driver slew rates are not limited, allowing them to transmit up to 12Mbps.

The MAX1481/MAX1484/MAX1485/MAX1486 draw only 300 μ A of supply current. The MAX1481 has a low-power shutdown mode that reduces supply current to only 0.1 μ A. All devices operate from a single 5V supply.

Drivers are output short-circuit current limited and are protected against excessive power dissipation by thermal-shutdown circuitry that places the driver outputs into a high-impedance state. The receiver input has a fail-safe feature that guarantees a logic-high output if the input is open circuit.

Features

- ◆ **10-Pin μ MAX Package: Smallest 10-Pin Package**
- ◆ **Software-Selectable Half-/Full-Duplex Operation (MAX1485/MAX1486)**
- ◆ **0.1 μ A Low-Current Shutdown Mode (MAX1481)**
- ◆ **Slew-Rate Limiting Allows Error-Free Data Transmission (MAX1481/MAX1485)**
- ◆ **12Mbps High-Speed Operation (MAX1484/MAX1486)**
- ◆ **Allow up to 256 Transceivers on the Bus**

Ordering Information

| PART | TEMP RANGE | PIN-PACKAGE |
|--------------------|----------------|--------------|
| MAX1481 CUB | 0°C to +70°C | 10 μ MAX |
| MAX1481EUB | -40°C to +85°C | 10 μ MAX |
| MAX1484 CUB | 0°C to +70°C | 10 μ MAX |
| MAX1484EUB | -40°C to +85°C | 10 μ MAX |
| MAX1485 CUB | 0°C to +70°C | 10 μ MAX |
| MAX1485EUB | -40°C to +85°C | 10 μ MAX |
| MAX1486 CUB | 0°C to +70°C | 10 μ MAX |
| MAX1486EUB | -40°C to +85°C | 10 μ MAX |

Applications

Low-Power RS-422/RS-485 Communications
 Level Translators
 Hand-Held Equipment
 Battery-Powered Equipment
 Transceiver for EMI-Sensitive Applications
 Industrial-Control Local Area Networks

μ MAX is a registered trademark of Maxim Integrated Products, Inc.

Selection Table

| Part | Half/Full Duplex | Data Rate (Mbps) | Slew-Rate Limited | Low-Power Shutdown | Driver Enable | Receiver Enable | Quiescent Current (μ A) | Transceivers on Bus | Pin-Package |
|---------|------------------|------------------|-------------------|--------------------|---------------|-----------------|------------------------------|---------------------|--------------|
| MAX1481 | Full | 0.250 | Yes | Yes | Yes | Yes | 300 | 256 | 10 μ MAX |
| MAX1484 | Full | 12 | No | No | Yes | Yes | 300 | 256 | 10 μ MAX |
| MAX1485 | Selectable | 0.250 | Yes | No | Yes | No | 300 | 256 | 10 μ MAX |
| MAX1486 | Selectable | 12 | No | No | Yes | No | 300 | 256 | 10 μ MAX |



Software-Selectable, Half-/Full-Duplex, Slew-Rate-Limited, 12Mbps, RS-485/RS-422 Transceivers in μ MAX Package

ABSOLUTE MAXIMUM RATINGS

| | | | |
|---|------------------------------|---|-------------------------------------|
| Supply Voltage (V_{CC}) | +7V | Continuous Power Dissipation | |
| Control Input Voltage (\overline{RE} , DE, H/ \overline{F}) | -0.3V to ($V_{CC} + 0.3V$) | 10-Pin μ MAX (derate 5.6mW/ $^{\circ}C$ above +70 $^{\circ}C$) | 444mW |
| Driver Input Voltage (DI) | -0.3V to ($V_{CC} + 0.3V$) | Operating Temperature Ranges | |
| Driver Output Voltage (A, B, Y, Z) | -8V to +12.5V | MAX148_C_ _ | 0 $^{\circ}C$ to +70 $^{\circ}C$ |
| Receiver Input Voltage, Half Duplex (Y, Z) | -8V to +12.5V | MAX148_E_ _ | -40 $^{\circ}C$ to +85 $^{\circ}C$ |
| Receiver Input Voltage, Full Duplex (A, B) | -8V to +12.5V | Storage Temperature Range | -65 $^{\circ}C$ to +160 $^{\circ}C$ |
| Receiver Output Voltage (RO) | -0.3V to ($V_{CC} + 0.3V$) | Lead Temperature (soldering, 10sec) | +300 $^{\circ}C$ |

Stresses beyond those listed under "Absolute Maximum Ratings" may cause permanent damage to the device. These are stress ratings only, and functional operation of the device at these or any other conditions beyond those indicated in the operational sections of the specifications is not implied. Exposure to absolute maximum rating conditions for extended periods may affect device reliability.

ELECTRICAL CHARACTERISTICS

($V_{CC} = +5V \pm 5\%$, $T_A = T_{MIN}$ to T_{MAX} , unless otherwise noted. Typical values are at $V_{CC} = +5V$ and $T_A = +25^{\circ}C$.) (Note 1)

| PARAMETER | SYMBOL | CONDITIONS | MIN | TYP | MAX | UNITS |
|--|-----------------|---|----------------|-----|---------|---------|
| DRIVER | | | | | | |
| Differential Driver Output | V_{OD1} | No load, Figure 5 | | | 5 | V |
| | V_{OD2} | R = 50 Ω (RS-422), Figure 5 | 2.0 | | | |
| | | R = 27 Ω (RS-485), Figure 5 | 1.5 | | 5 | |
| Change in Magnitude of Differential Output Voltage (Note 2) | ΔV_{OD} | R = 50 Ω or 27 Ω , Figure 5 | | | 0.2 | V |
| Driver Common-Mode Output Voltage | V_{OC} | R = 50 Ω or 27 Ω , Figure 5 | | | 3 | V |
| Change in Magnitude of Common-Mode Voltage (Note 2) | ΔV_{OC} | R = 50 Ω or 27 Ω , Figure 5 | | | 0.2 | V |
| Input High Voltage | V_{IH1} | DE, DI, \overline{RE} , H/ \overline{F} | 2.0 | | | V |
| Input Low Voltage | V_{IL1} | DE, DI, \overline{RE} , H/ \overline{F} | | | 0.8 | V |
| Input Current | I_{IN1} | DE, DI, \overline{RE} , H/ \overline{F} | | | ± 2 | μA |
| Input Current (Y and Z for Half Duplex, A and B for Full Duplex) | I_{IN2} | DE = GND, $V_{CC} = GND$ or 5.25V | $V_{IN} = 12V$ | | 0.125 | mA |
| | | | $V_{IN} = -7V$ | | -0.1 | |
| Output Leakage (Y and Z) (MAX1481/MAX1484 Only) | I_O | DE = GND | $V_{IN} = 12V$ | | 10 | μA |
| | | | $V_{IN} = -7V$ | | -10 | |
| Output Leakage (Y and Z) (MAX1485/MAX1486 Only) | I_O | DE = GND | $V_{IN} = 12V$ | | 125 | μA |
| | | | $V_{IN} = -7V$ | | -100 | |
| Driver Output Short-Circuit Current (Note 3) | I_{OSD} | -7V $\leq V_{OUT} \leq$ 12V | 35 | | 250 | mA |

Software-Selectable, Half-/Full-Duplex, Slew-Rate-Limited, 12Mbps, RS-485/RS-422 Transceivers in μ MAX Package

MAX1481/MAX1484/MAX1485/MAX1486

ELECTRICAL CHARACTERISTICS (continued)

($V_{CC} = +5V \pm 5\%$, $T_A = T_{MIN}$ to T_{MAX} , unless otherwise noted. Typical values are at $V_{CC} = +5V$ and $T_A = +25^\circ C$.) (Note 1)

| PARAMETER | SYMBOL | CONDITIONS | MIN | TYP | MAX | UNITS |
|--|-----------------|---------------------------------------|------|-----|----------|------------|
| RECEIVER | | | | | | |
| Receiver Differential Threshold Voltage | V_{TH} | $-7V \leq V_{CM} \leq 12V$ | -200 | | 200 | mV |
| Receiver Input Hysteresis | ΔV_{TH} | | | 70 | | mV |
| Receiver Output High Voltage | V_{OH} | $I_O = -4mA$, $V_{ID} = 200mV$ | 3.5 | | | V |
| Receiver Output Low Voltage | V_{OL} | $I_O = 4mA$, $V_{ID} = -200mV$ | | | 0.4 | V |
| Three-State Output Current at Receiver | I_{OZR} | $0.4V \leq V_O \leq 2.4V$ | | | ± 1 | μA |
| Receiver Input Resistance | R_{IN} | $-7V \leq V_{CM} \leq 12V$ | 96 | | | k Ω |
| Receiver Output Short-Circuit Current | I_{OSR} | $0V \leq V_{RO} \leq V_{CC}$ | | | ± 95 | mA |
| SUPPLY CURRENT | | | | | | |
| No-Load Supply Current | I_{CC} | $\overline{RE} = GND$, $DE = V_{CC}$ | | 300 | 600 | μA |
| Supply Current in Shutdown Mode (MAX1481 Only) | I_{SHDN} | $DE = GND$, $\overline{RE} = V_{CC}$ | | 0.1 | 10 | μA |

SWITCHING CHARACTERISTICS (MAX1484/MAX1486)

($V_{CC} = 5V \pm 5\%$, $T_A = T_{MIN}$ to T_{MAX} , unless otherwise noted. Typical values are at $V_{CC} = +5V$ and $T_A = +25^\circ C$.)

| PARAMETER | SYMBOL | CONDITIONS | MIN | TYP | MAX | UNITS |
|--|----------------------------|--|-----|-----|-----|-------|
| Driver Input to Output | t_{DPLH} | $R_{DIFF} = 54\Omega$, $C_{L1} = C_{L2} = 100pF$, Figures 7 and 9 | | 30 | 60 | ns |
| | t_{DPHL} | | | 30 | 60 | |
| Driver Output Skew $ t_{DPLH} - t_{DPHL} $ | t_{DSKEW} | $R_{DIFF} = 54\Omega$, $C_{L1} = C_{L2} = 100pF$, Figures 7 and 9 | | 5 | 10 | ns |
| Driver Rise or Fall Time | t_{DR} , t_{DF} | $R_{DIFF} = 54\Omega$, $C_{L1} = C_{L2} = 100pF$, Figures 7 and 9 | 5 | 15 | 35 | ns |
| Maximum Data Rate | f_{MAX} | | 12 | | | Mbps |
| Driver Enable to Output Low | t_{DZL} | $C_L = 100pF$, S_1 closed, Figures 8 and 10 | | 40 | 70 | ns |
| Driver Enable to Output High | t_{DZH} | $C_L = 100pF$, S_2 closed, Figures 8 and 10 | | 40 | 70 | ns |
| Driver Disable Time from Low | t_{DLZ} | $C_L = 15pF$, S_1 closed, Figures 8 and 10 | | 40 | 70 | ns |
| Driver Disable Time from High | t_{DHZ} | $C_L = 15pF$, S_2 closed, Figures 8 and 10 | | 40 | 70 | ns |
| Receiver Input to Output | t_{RPLH} , t_{RPHL} | Figures 11 and 13 | | 90 | 150 | ns |
| $ t_{RPLH} - t_{RPHL} $ Differential Receiver Skew | t_{RSKD} | Figures 11 and 13 | | 5 | | ns |
| Receiver Enable to Output Low | t_{RZL} | $C_L = 100pF$, S_1 closed, Figures 6 and 12 | | 20 | 50 | ns |
| Receiver Enable to Output High | t_{RZH} | $C_L = 100pF$, S_2 closed, Figures 6 and 12 | | 20 | 50 | ns |
| Receiver Disable Time from Low | t_{RLZ} | $C_L = 100pF$, S_1 closed, Figures 6 and 12 | | 20 | 50 | ns |
| Receiver Disable Time from High | t_{RHZ} | $C_L = 100pF$, S_2 closed, Figures 6 and 12 | | 20 | 50 | ns |

Software-Selectable, Half-/Full-Duplex, Slew-Rate-Limited, 12Mbps, RS-485/RS-422 Transceivers in μ MAX Package

MAX1481/MAX1484/MAX1485/MAX1486

SWITCHING CHARACTERISTICS (MAX1481/MAX1485) (continued)

($V_{CC} = 5V \pm 5\%$, $T_A = T_{MIN}$ to T_{MAX} , unless otherwise noted. Typical values are at $V_{CC} = +5V$ and $T_A = +25^\circ C$.)

| PARAMETER | SYMBOL | CONDITIONS | MIN | TYP | MAX | UNITS |
|--|----------------------------|--|-----|-----|------|-------|
| Driver Input to Output | t_{DPLH} | $R_{DIFF} = 54\Omega$, $C_{L1} = C_{L2} = 100pF$, Figures 7 and 9 | | 600 | 1000 | ns |
| | t_{DPHL} | | | 600 | 1000 | |
| Driver Output Skew $t_{DPLH} - t_{DPHL}$ | t_{DSKEW} | $R_{DIFF} = 54\Omega$, $C_{L1} = C_{L2} = 100pF$, Figures 7 and 9 | | 10 | 200 | ns |
| Driver Rise or Fall Time | t_{DR} , t_{DF} | $R_{DIFF} = 54\Omega$, $C_{L1} = C_{L2} = 100pF$, Figures 7 and 9 | 250 | | 1000 | ns |
| Maximum Data Rate | f_{MAX} | | 250 | | | kbps |
| Driver Enable to Output Low | t_{DZL} | $C_L = 100pF$, S1 closed, Figures 8 and 10 | | | 3000 | ns |
| Driver Enable to Output High | t_{DZH} | $C_L = 100pF$, S2 closed, Figures 8 and 10 | | | 3000 | ns |
| Driver Disable Time from Low | t_{DLZ} | $C_L = 15pF$, S1 closed, Figures 8 and 10 | | | 200 | ns |
| Driver Disable Time from High | t_{DHZ} | $C_L = 15pF$, S2 closed, Figures 8 and 10 | | | 200 | ns |
| Receiver Input to Output | t_{RPLH} , t_{RPHL} | Figures 11 and 13 | | 90 | 150 | ns |
| $t_{RPLH} - t_{RPHL}$ Differential Receiver Skew | t_{RSKD} | Figures 11 and 13 | | 15 | | ns |
| Receiver Enable to Output Low | t_{RZL} | $C_L = 100pF$, S1 closed, Figures 6 and 12 | | 20 | 50 | ns |
| Receiver Enable to Output High | t_{RZH} | $C_L = 100pF$, S2 closed, Figures 6 and 12 | | 20 | 50 | ns |
| Receiver Disable Time from Low | t_{RLZ} | $C_L = 100pF$, S1 closed, Figures 6 and 12 | | 20 | 50 | ns |
| Receiver Disable Time from High | t_{RHZ} | $C_L = 100pF$, S2 closed, Figures 6 and 12 | | 20 | 50 | ns |
| Time to Shutdown | t_{SHDN} | MAX1481 only (Note 4) | 50 | 200 | 600 | ns |
| Driver Enable from Shutdown to Output High | $t_{DZH}(SHDN)$ | MAX1481 only, $C_L = 15pF$, S2 closed, Figures 8 and 10 | | | 3000 | ns |
| Driver Enable from Shutdown to Output Low | $t_{DZL}(SHDN)$ | MAX1481 only, $C_L = 15pF$, S1 closed, Figures 8 and 10 | | | 3000 | ns |
| Receiver Enable from Shutdown to Output High | $t_{RZH}(SHDN)$ | MAX1481 only, $C_L = 100pF$, S2 closed, Figures 6 and 12 | | | 500 | ns |
| Receiver Enable from Shutdown to Output Low | $t_{RZL}(SHDN)$ | MAX1481 only, $C_L = 100pF$, S1 closed, Figures 6 and 12 | | | 1000 | ns |

Note 1: All currents into the device are positive; all currents out of the device are negative. All voltages are referenced to device ground unless otherwise noted.

Note 2: ΔV_{OD} and ΔV_{OC} are the changes in V_{OD} and V_{OC} , respectively, when the DI input changes state.

Note 3: Maximum current level applies to peak current just prior to foldback-current limiting; minimum current level applies during current limiting.

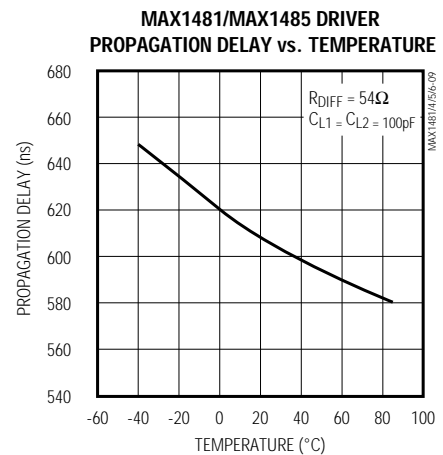
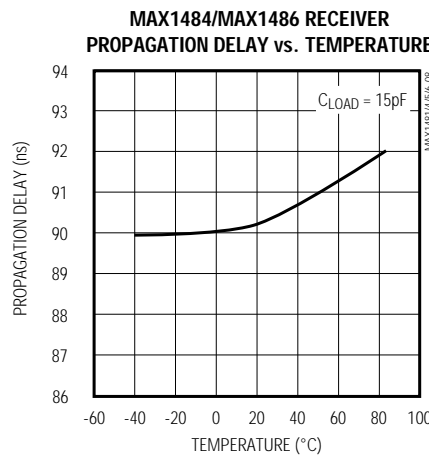
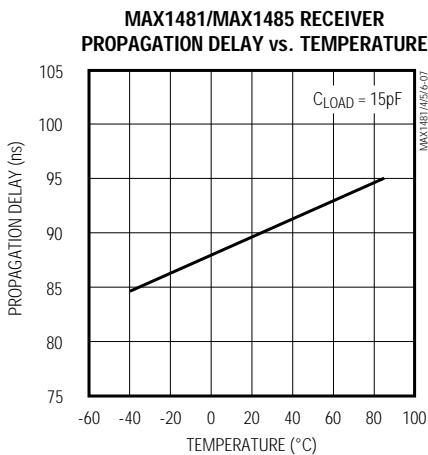
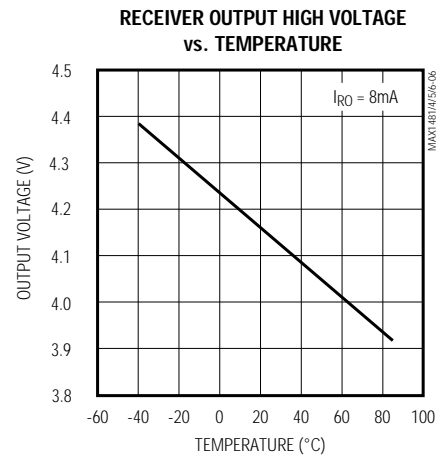
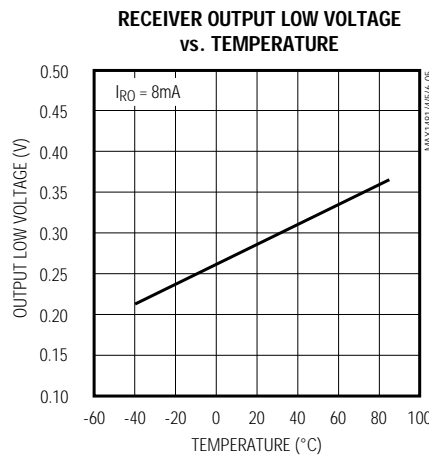
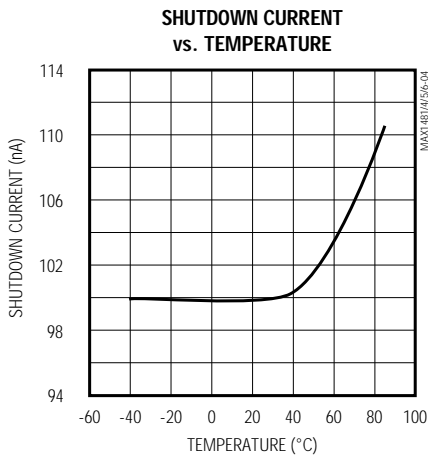
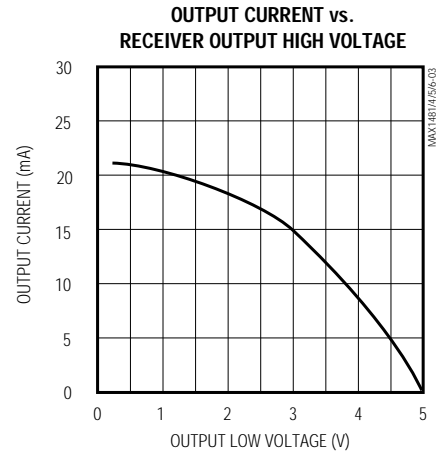
Note 4: Shutdown is enabled by bringing \overline{RE} high and DE low. If the enable inputs are in this state for less than 50ns, the MAX1481 is guaranteed not to enter shutdown. If the enable inputs are in this state for at least 600ns, the MAX1481 is guaranteed to have entered shutdown.

Software-Selectable, Half-/Full-Duplex, Slew-Rate-Limited, 12Mbps, RS-485/RS-422 Transceivers in μ MAX Package

Typical Operating Characteristics

($V_{CC} = +5V$, $T_A = +25^\circ C$, unless otherwise noted.)

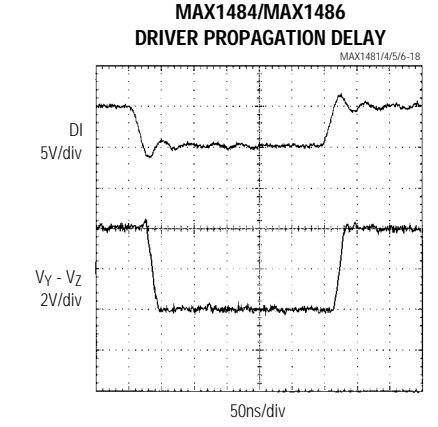
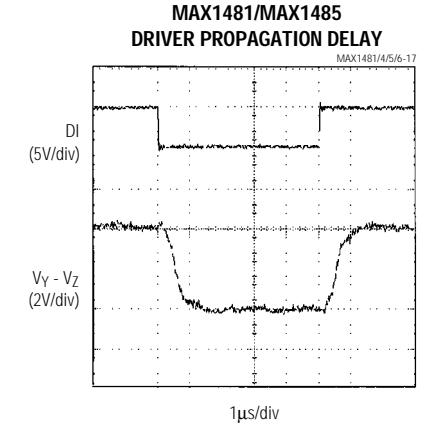
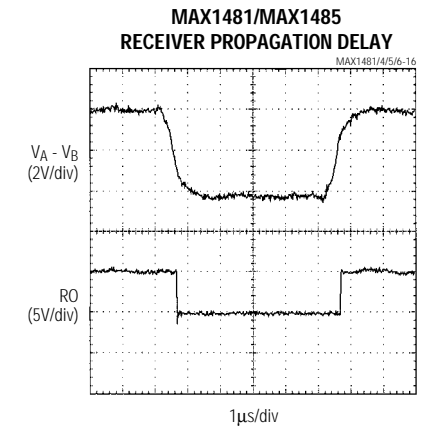
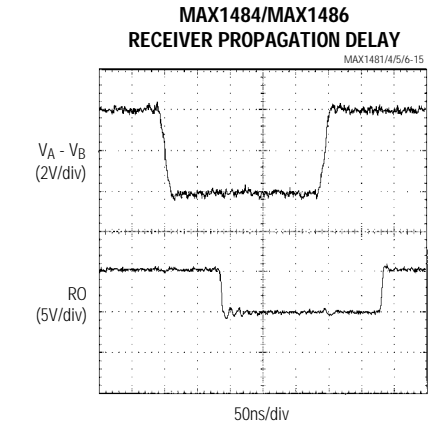
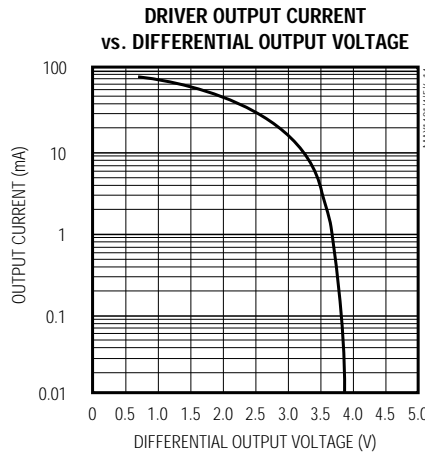
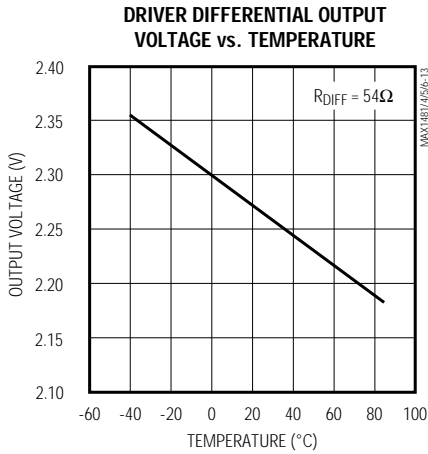
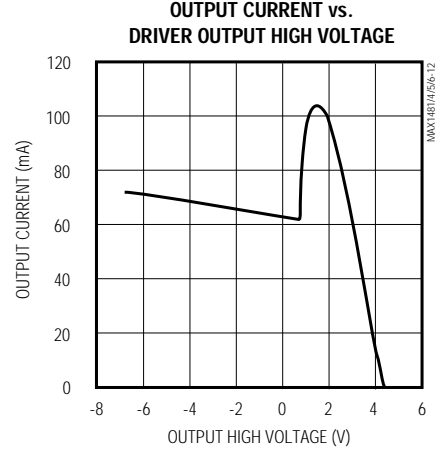
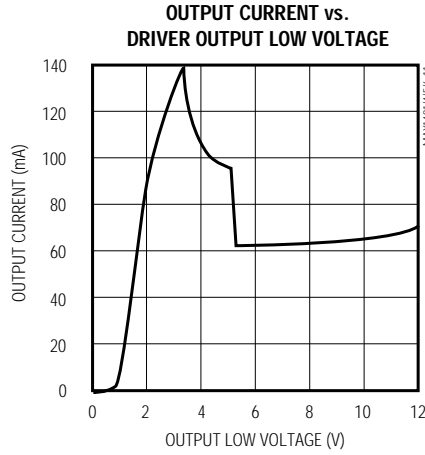
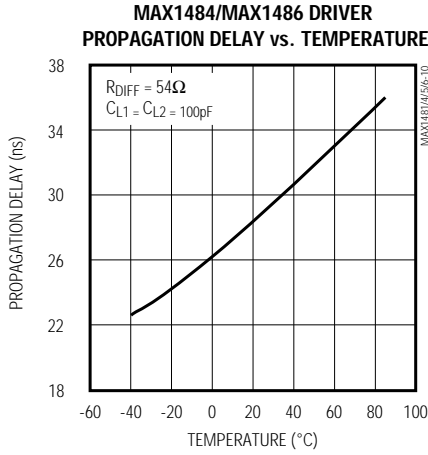
MAX1481/MAX1484/MAX1485/MAX1486



Software-Selectable, Half-/Full-Duplex, Slew-Rate-Limited, 12Mbps, RS-485/RS-422 Transceivers in μ MAX Package

Typical Operating Characteristics (continued)

($V_{CC} = +5V$, $T_A = +25^\circ C$, unless otherwise noted.)



Software-Selectable, Half-/Full-Duplex, Slew-Rate-Limited, 12Mbps, RS-485/RS-422 Transceivers in μ MAX Package

Pin Description

| MAX1481/ MAX1484 | PIN | | NAME | FUNCTION |
|---------------------|-----------------|---------|-----------------|--|
| | MAX1485/MAX1486 | | | |
| | H/F = 0 | H/F = 1 | | |
| 1 | 1 | 1 | RO | Receiver Output. When \overline{RE} is low and if $A - B \geq 200\text{mV}$, RO goes high; if $A - B \leq -200\text{mV}$, RO goes low. |
| — | 2 | 2 | H/F | Half-/Full-Duplex Selector Input. Connect H/F to V_{CC} for half-duplex mode, and connect to GND for full-duplex mode. |
| 2 | — | — | \overline{RE} | Receiver Output Enable Input. Drive \overline{RE} low to enable RO; RO is high impedance when \overline{RE} is high. For MAX1481 only, drive \overline{RE} high and DE low to enter the low-power shutdown mode. |
| 3 | 3 | 3 | DE | Driver Output Enable Input. Drive DE high to enable driver outputs. These outputs are high impedance when DE is low. |
| 4 | 4 | 4 | DI | Driver Input. With DE high, a low on DI forces noninverting output low and inverting output high. Similarly, a high on DI forces noninverting output high and inverting output low. |
| 5 | 5 | 5 | GND | Ground |
| 6 | 6 | — | B | Inverting Receiver Input |
| — | — | 6 | B | Receiver Input Resistors* |
| 7 | 7 | — | Z | Inverting Driver Output |
| — | — | 7 | Z | Inverting Driver Output and Inverting Receiver Input |
| 8 | 8 | — | Y | Noninverting Driver Output |
| — | — | 8 | Y | Noninverting Driver Output and Noninverting Receiver Input |
| 9 | 9 | — | A | Noninverting Receiver Input |
| — | — | 9 | A | Receiver Input Resistors* |
| 10 | 10 | 10 | V_{CC} | Positive Supply; $+4.75\text{V} \leq V_{CC} \leq +5.25\text{V}$ |

*(MAX1485/MAX1486 only) In half-duplex mode, the driver outputs serve as receiver inputs. The full-duplex receiver inputs (A and B) will still have a 1/8-unit load, but are not connected to the receiver.

MAX1481/MAX1484/MAX1485/MAX1486

Software-Selectable, Half-/Full-Duplex, Slew-Rate-Limited, 12Mbps, RS-485/RS-422 Transceivers in μ MAX Package

Function Tables

MAX1481

| TRANSMITTING | | | | |
|-----------------|----|----|---------------------|--------|
| INPUTS | | | OUTPUTS | |
| \overline{RE} | DE | DI | Z | Y |
| X | 1 | 1 | 0 | 1 |
| X | 1 | 0 | 1 | 0 |
| 0 | 0 | X | High-Z | High-Z |
| 1 | 0 | X | High-Z and Shutdown | |

| RECEIVING | | | |
|-----------------|----|--------------|---------------------|
| INPUTS | | | OUTPUT |
| \overline{RE} | DE | A-B | RO |
| 0 | X | $\geq 0.2V$ | 1 |
| 0 | X | $\leq -0.2V$ | 0 |
| 1 | 1 | X | High-Z |
| 1 | 0 | X | High-Z and Shutdown |

MAX1484

| TRANSMITTING | | | | |
|-----------------|----|----|---------|--------|
| INPUTS | | | OUTPUTS | |
| \overline{RE} | DE | DI | Z | Y |
| X | 1 | 1 | 0 | 1 |
| X | 1 | 0 | 1 | 0 |
| X | 0 | X | High-Z | High-Z |

| RECEIVING | | | |
|-----------------|----|--------------|--------|
| INPUTS | | | OUTPUT |
| \overline{RE} | DE | A-B | RO |
| 0 | X | $\geq 0.2V$ | 1 |
| 0 | X | $\leq -0.2V$ | 0 |
| 1 | X | X | High-Z |

MAX1485/MAX1486

| TRANSMITTING | | | |
|--------------|----|---------|--------|
| INPUTS | | OUTPUTS | |
| DE | DI | Z | Y |
| 1 | 1 | 0 | 1 |
| 1 | 0 | 1 | 0 |
| 0 | X | High-Z | High-Z |

| RECEIVING | | | | |
|-------------------|----|--------------|--------------|----|
| INPUTS | | | OUTPUT | |
| H/ \overline{F} | DE | A-B | Y-Z | RO |
| 0 | X | $\geq 0.2V$ | X | 1 |
| 0 | X | $\leq -0.2V$ | X | 0 |
| 1 | 0 | X | $\geq 0.2V$ | 1 |
| 1 | 0 | X | $\leq -0.2V$ | 0 |

X = Don't care

Note: In shutdown mode, driver and receiver outputs are high impedance.

Software-Selectable, Half-/Full-Duplex, Slew-Rate-Limited, 12Mbps, RS-485/RS-422 Transceivers in μ MAX Package

MAX1481/MAX1484/MAX1485/MAX1486

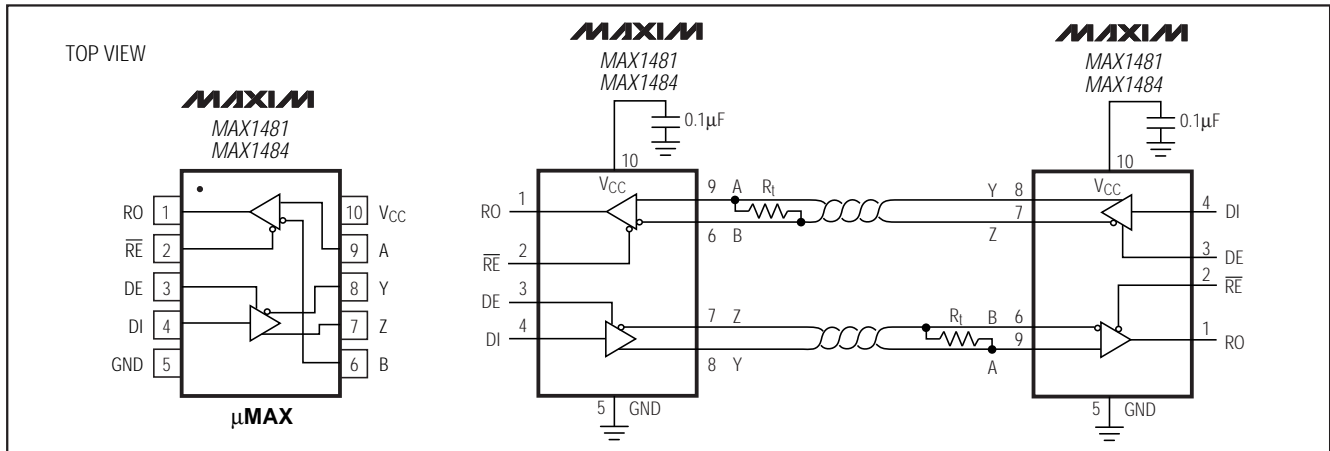


Figure 1. MAX1481/MAX1484 Pin Configuration and Typical Full-Duplex Operating Circuit

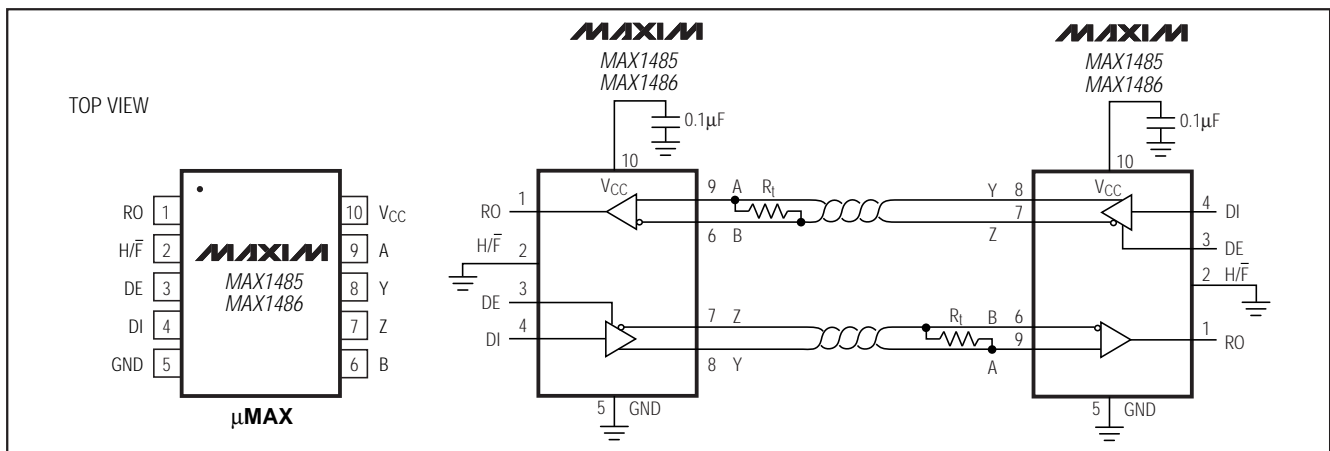


Figure 2. MAX1485/MAX1486 Pin Configuration and Equivalent Typical Full-Duplex Operating Circuit

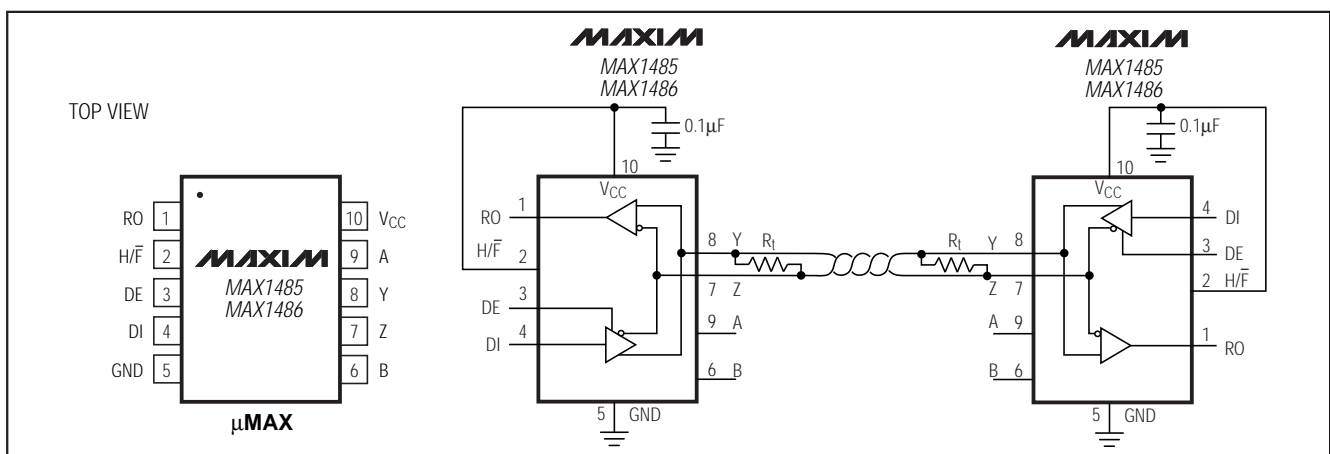


Figure 3. MAX1485/MAX1486 Pin Configuration and Equivalent Typical Half-Duplex Operating Circuit

Software-Selectable, Half-/Full-Duplex, Slew-Rate-Limited, 12Mbps, RS-485/RS-422 Transceivers in μ MAX Package

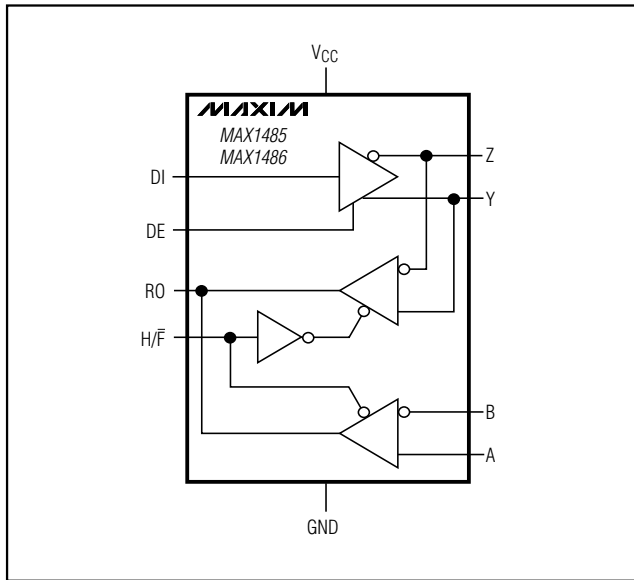


Figure 4. MAX1485/MAX1486 Functional Diagram

Detailed Description

The MAX1481/MAX1484/MAX1485/MAX1486 high-speed transceivers for RS-485/RS-422 communication contain one driver and one receiver. The MAX1481/MAX1485 feature reduced-slew-rate drivers that minimize EMI and reduce reflections caused by improperly terminated cables, allowing error-free data transmission up to 250kbps. The MAX1484/MAX1486 driver slew rates are not limited, making transmission speeds up to 12Mbps possible.

These transceivers are designed to operate on a +5V single supply and typically draw 300 μ A of supply current when unloaded or fully loaded with the drivers disabled. The MAX1481 has a shutdown mode in which supply current is typically reduced to 0.1 μ A.

Drivers are output short-circuit current limited and are protected against excessive power dissipation by thermal-shutdown circuitry that places the driver outputs into a high-impedance state.

All devices have a 1/8-unit-load receiver input impedance that allows up to 256 transceivers on the bus. The MAX1481/MAX1484 are designed for full-duplex communications. The H/ \bar{F} pin on the MAX1485/MAX1486 allows the user to select between half-duplex or full-duplex operation (Figure 4).

MAX1485/MAX1486

Half-/Full-Duplex Mode Operation

The MAX1484/MAX1485 can operate in full- or half-duplex mode. Drive the H/ \bar{F} pin low or connect it to GND for full-duplex operation, or drive it high for half-duplex operation. In full-duplex mode, the pin configuration of the driver and receiver is the same as a MAX1481 (Figure 1).

Applications Information

256 Transceivers on the Bus

The standard RS-485 receiver input impedance is 12k Ω (1-unit load), and the standard driver can drive up to 32-unit loads. The MAX1481/MAX1484/MAX1485/MAX1486 transceivers have a 1/8-unit-load receiver input impedance (96k Ω), allowing up to 256 transceivers to be connected in parallel on one communication line. Connect any combination of these devices and/or other RS-485 transceivers totaling 32-unit loads or less.

Reduced EMI and Reflections

The MAX1481/MAX1485 are slew-rate limited, minimizing EMI and reducing reflections caused by improperly terminated cables. Figure 14 shows the driver output waveform and its Fourier analysis of a 20kHz signal transmitted by a MAX1484. High-frequency harmonic components with large amplitudes are evident. Figure 15 shows the same signal displayed for a MAX1481 transmitting under the same conditions. Figure 15's high-frequency harmonic components are much lower in amplitude compared to Figure 14's, significantly reducing potential EMI.

In general, a transmitter's rise time relates directly to the length of an unterminated stub, which can be driven with only minor waveform reflections. The following equation expresses this relationship conservatively:

$$\text{Length} = t_{\text{RISE}} / (10 \times 1.5\text{ns/ft})$$

where t_{RISE} is the transmitter's rise time.

For example, the MAX1481's rise time is typically 500ns, which results in excellent waveforms with a stub length up to 33 feet. A system may work well with longer unterminated stubs, even with severe reflections, if the waveform settles out before the UART samples them.

Software-Selectable, Half-/Full-Duplex, Slew-Rate-Limited, 12Mbps, RS-485/RS-422 Transceivers in μ MAX Package

MAX1481/MAX1484/MAX1485/MAX1486

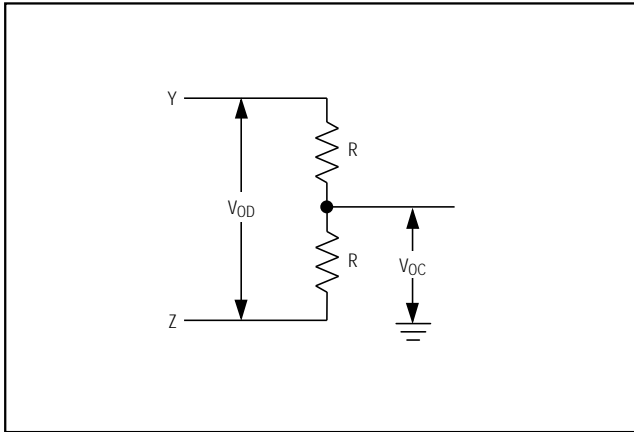


Figure 5. Driver DC Test Load

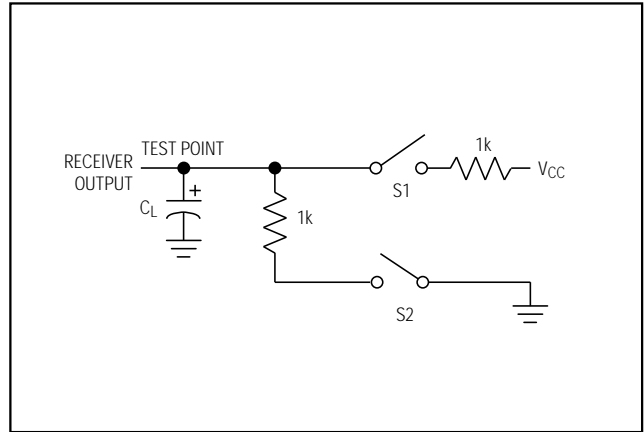


Figure 6. Receiver Enable/Disable Timing Test Load

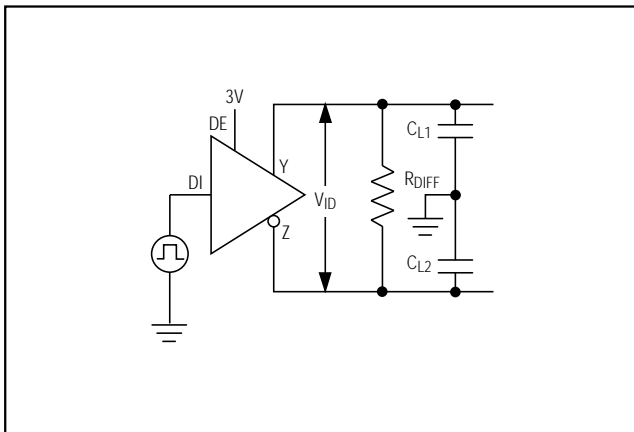


Figure 7. Driver Timing Test Circuit

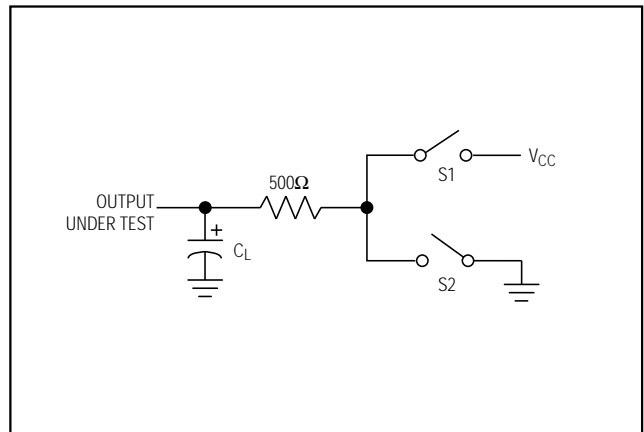


Figure 8. Driver Enable/Disable Timing Test Load

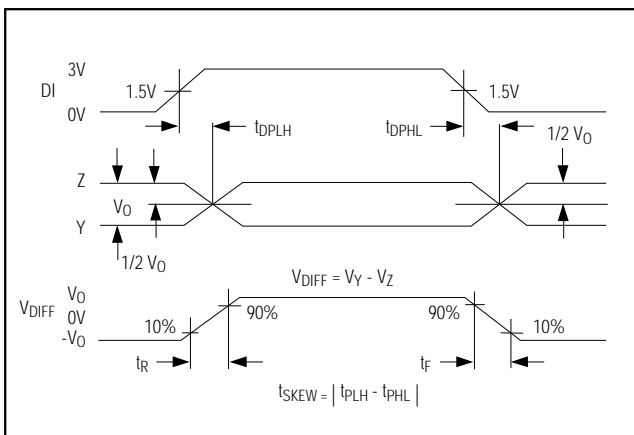


Figure 9. Driver Propagation Delays

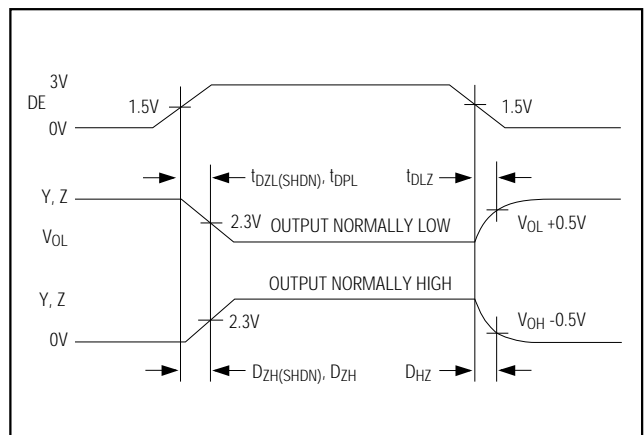


Figure 10. Driver Enable and Disable Times

Software-Selectable, Half-/Full-Duplex, Slew-Rate-Limited, 12Mbps, RS-485/RS-422 Transceivers in μ MAX Package

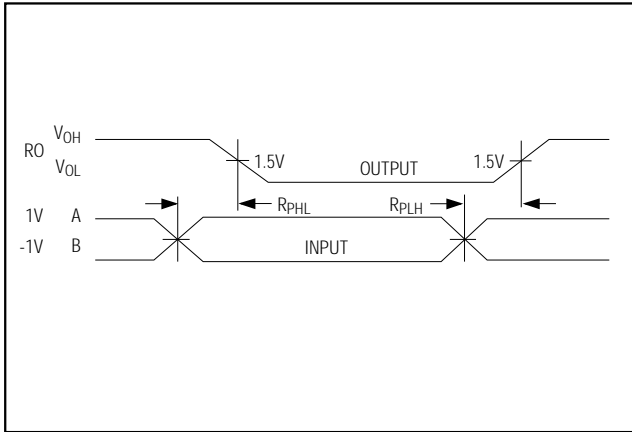


Figure 11. Receiver Propagation Delays



Figure 12. Receiver Enable and Disable Times (MAX1481/MAX1484 only)

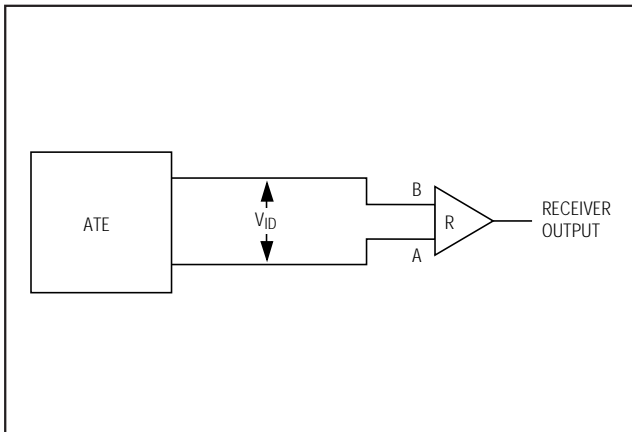


Figure 13. Receiver Propagation Delay Test Circuit



Figure 14. Driver Output Waveform and FFT Plot of MAX1484/MAX1486 Transmitting a 20kHz signal

Low-Power Shutdown Mode (MAX1481 only)

Low-power shutdown mode is initiated by bringing both \overline{RE} high and DE low. In shutdown, the MAX1481 typically draws only 0.1 μ A of supply current.

\overline{RE} and DE may be driven simultaneously; the parts are guaranteed not to enter shutdown if \overline{RE} is high and DE is low for less than 50ns. If the inputs are in this state for at least 600ns, the parts are guaranteed to enter shutdown.

Enable times t_{ZH} and t_{ZL} in the *Switching Characteristics* tables assume the part was not in low-power shutdown. Enable times $t_{ZH(SHDN)}$ and $t_{ZL(SHDN)}$ assume the parts were shut down. It takes drivers and receivers

longer to become enabled from the low-power shutdown mode ($t_{ZH(SHDN)}$, $t_{ZL(SHDN)}$) than from the driver/receiver disable mode (t_{ZH} , t_{ZL}).

Driver Output Protection

Excessive output current and power dissipation caused by faults or by bus contention are prevented by two mechanisms. A foldback current limit on the output stage provides immediate protection against short circuits over the whole common-mode voltage range (see *Typical Operating Characteristics*). In addition, a thermal shutdown circuit forces the driver outputs into a high-impedance state if the die temperature becomes excessive.

Software-Selectable, Half-/Full-Duplex, Slew-Rate-Limited, 12Mbps, RS-485/RS-422 Transceivers in μ MAX Package

Line Length vs. Data Rate

The RS-485/RS-422 standard covers line lengths up to 4000 feet. For line lengths greater than 4000 feet, use the repeater application shown in Figure 16.

Figures 17 and 18 show the system differential voltage for the parts driving 4000 feet of 26AWG twisted-pair wire into 120 Ω loads.

Typical Applications

The MAX1485/MAX1486 are designed for bidirectional data communications on multipoint bus transmission

lines. Figures 19 and 20 show typical network applications circuits. These parts can also be used as line repeaters with cable lengths longer than 4000 feet (Figure 16).

To minimize reflections, terminate the line at both ends in its characteristic impedance, and keep stub lengths off the main line as short as possible. The slew-rate-limited MAX1481/MAX1485 are more tolerant of imperfect termination than the MAX1484/MAX1486.



Figure 15. Driver Output Waveform and FFT Plot of MAX1481/MAX1485 Transmitting a 20kHz Signal

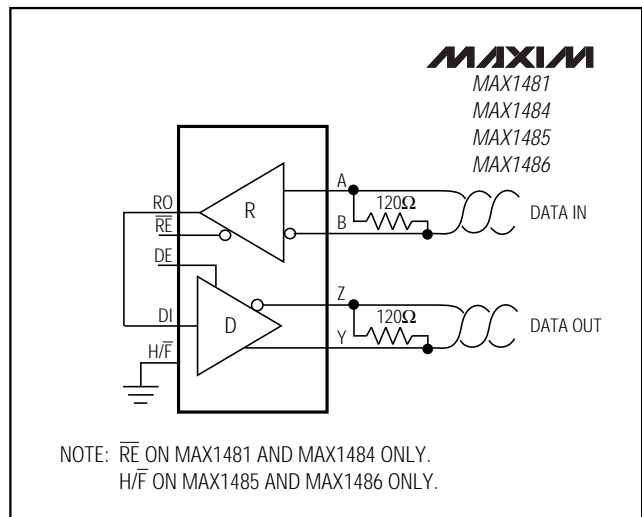


Figure 16. Line Repeater



Figure 17. MAX1481/MAX1485 System Differential Voltage at 50kHz Driving 4000 ft. of Unterminated Cable

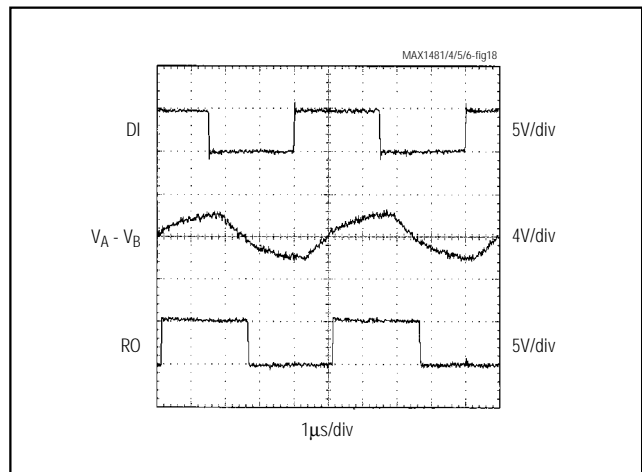


Figure 18. MAX1484/MAX1486 System Differential Voltage at 200kHz Driving 4000 ft. of Unterminated Cable

Software-Selectable, Half-/Full-Duplex, Slew-Rate-Limited, 12Mbps, RS-485/RS-422 Transceivers in μ MAX Package

MAX1481/MAX1484/MAX1485/MAX1486

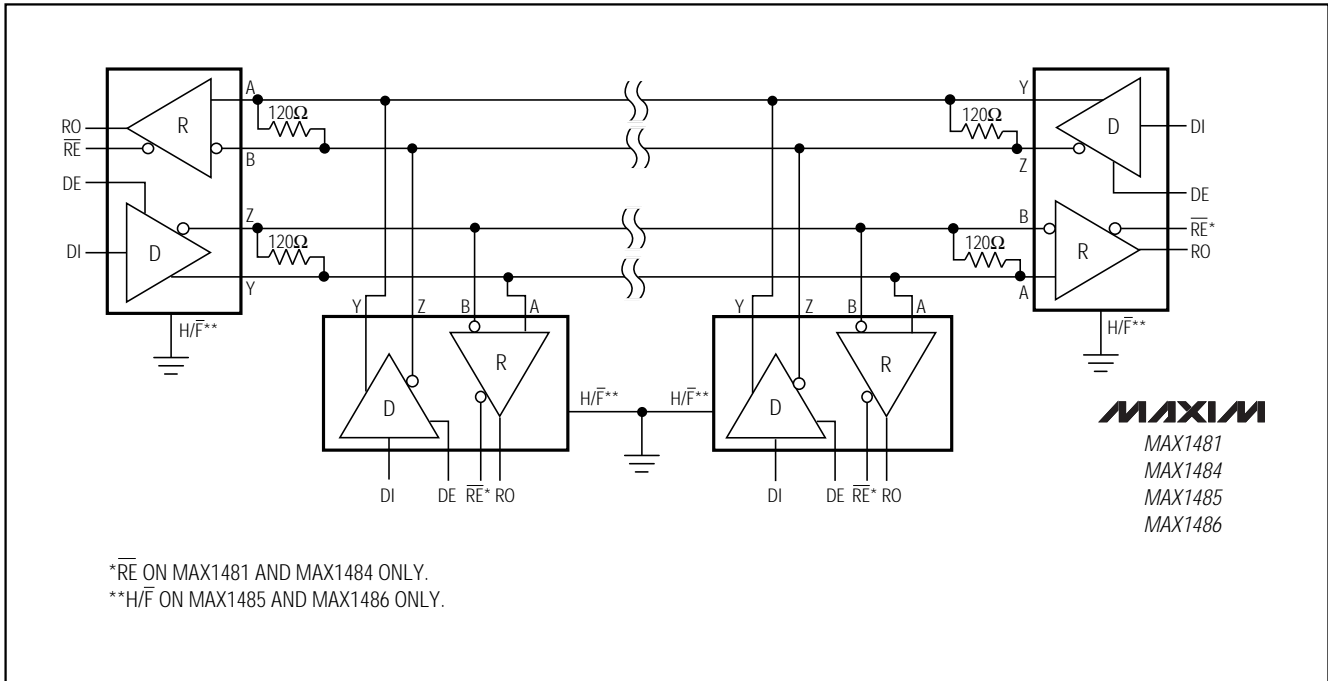


Figure 20. Typical Full-Duplex RS-485 Network

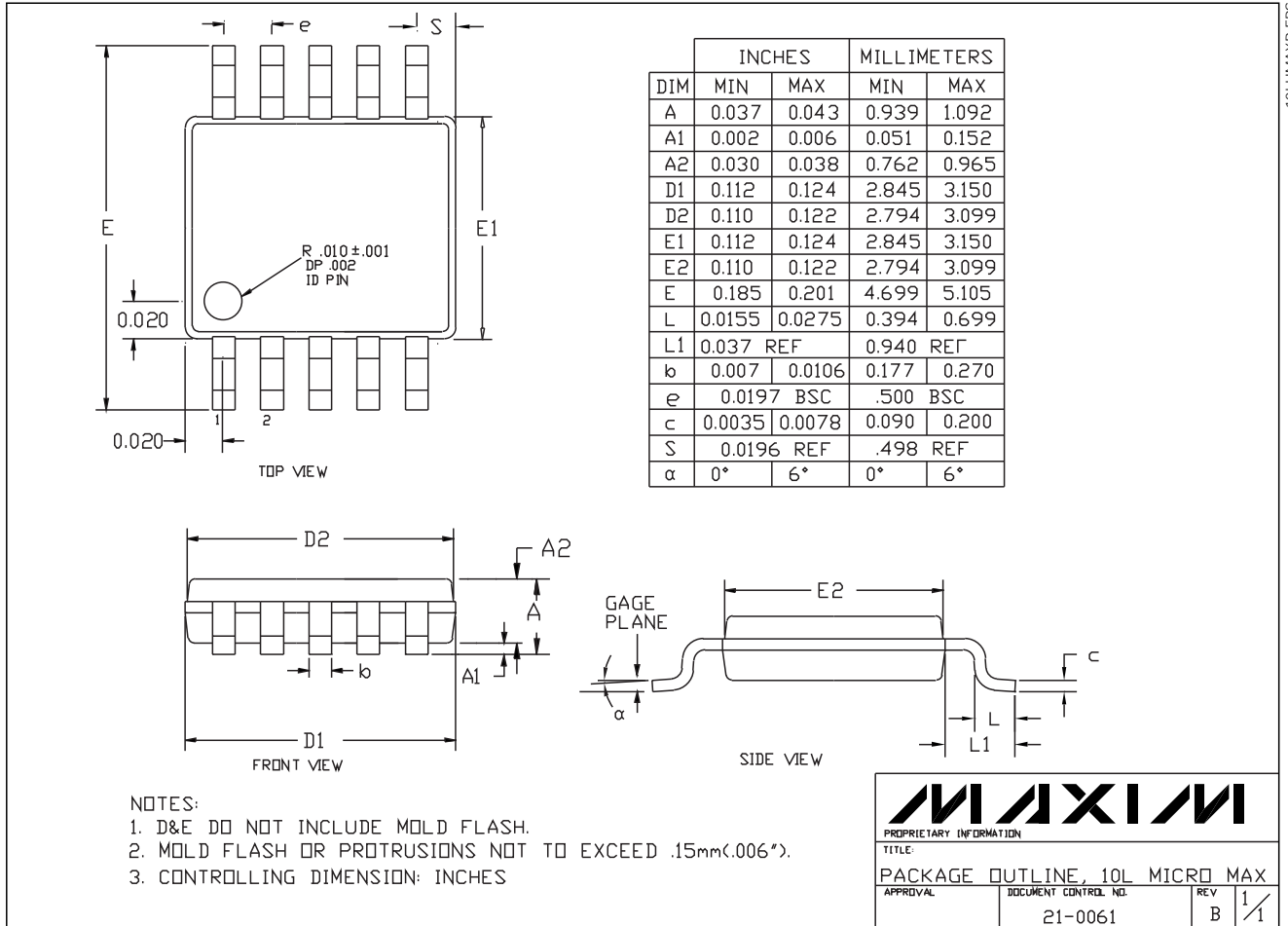
Chip Information

TRANSISTOR COUNT: 396

Software-Selectable, Half-/Full-Duplex, Slew-Rate-Limited, 12Mbps, RS-485/RS-422 Transceivers in μ MAX Package

Package Information

(The package drawing(s) in this data sheet may not reflect the most current specifications. For the latest package outline information, go to www.maxim-ic.com/packages.)



T01UMAXB.EPS

Maxim cannot assume responsibility for use of any circuitry other than circuitry entirely embodied in a Maxim product. No circuit patent licenses are implied. Maxim reserves the right to change the circuitry and specifications without notice at any time.

16 Maxim Integrated Products, 120 San Gabriel Drive, Sunnyvale, CA 94086 408-737-7600