

LTC4079

60V, 250mA Linear Charger with Low Quiescent Current

DESCRIPTION

Demonstration circuit 2133A features a simple battery charger circuit using the [LTC®4079](#) high-voltage monolithic linear charger. The DC2133 has an input voltage range from 2.7V to 60V and is capable of supplying up to 250mA charge current. The charge voltage is jumper-selectable to 4.2V or 8.4V. Charge current is adjustable via the PROG pin and initially programmed for 99mA. In shutdown or when unpowered, LTC4079 consumes only 10nA from the battery.

DC2133A is initially configured to enable charging from application of V_{IN} above the LTC4079 UVLO threshold.

The NTC input is connected to an on-board resistance to enable charging with only a 2-wire battery connection; however an external thermistor may be used with the NTC test point.

Termination is accomplished by timer method. Charging status is reflected by the CHRG LED.

Design files for this circuit board are available at <http://www.linear.com/demo/DC2133A>

LT, LT, LTC, LTM, Linear Technology and the Linear logo are registered trademarks of Linear Technology Corporation. All other trademarks are the property of their respective owners.

PERFORMANCE SUMMARY Specifications are at $T_A = 25^\circ\text{C}$

| PARAMETER | CONDITIONS | TYPICAL VALUE |
|--------------------------|------------------------------------|---------------|
| Input Voltage Range | | 2.7V to 60V |
| Default Charging Voltage | $V_{BAT} = 4.2$ | 4.2V |
| Default Charging Current | $R_{PROG} = 3.01k$ | 99mA |
| PROG Pin Voltage | $R_{PROG} = 3.01k, I_{CHG} = 99mA$ | 2.5V |
| Input Regulation Voltage | EN = REG (JP1) | 10.3V |
| Default Charge Timer | $C_{TMR} = 0.068\mu F$ | 3h 45 min |

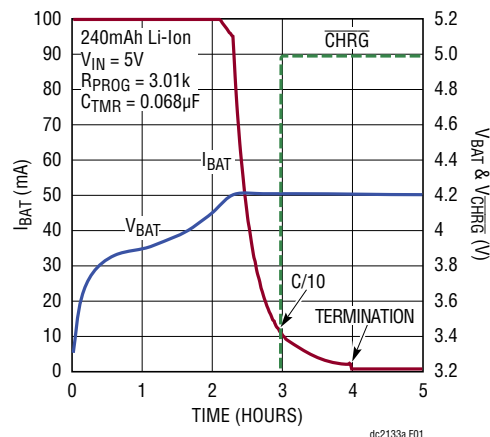


Figure 1. Typical Battery Charge Cycle

QUICK START PROCEDURE

Demonstration circuit 2133 is easy to set up to evaluate the performance of LTC4079. Refer to Figure 2 for proper measurement equipment setup and follow the procedure below.

1. The jumpers are initially set as below for a typical 4.2V charging application:

| JP1 | JP2 | JP3 | JP4 | JP5 |
|-----|-----|-------|------|-----|
| EN | NTC | TIMER | VBAT | LED |
| ON | INT | ON | 4.2 | ON |

2. With all power off, connect the input supply, battery, and meters as shown in Figure 2.

Note: Depending on the input cable and power supply impedance, hot plugging an input supply may cause overvoltage transients that can damage the board. R1 and C1 form an input transient damping network that mitigates this. See AN-88 for component selection.

3. Turn on the input power supply. Adjust the input voltage and current limit to the desired value.
4. Monitor the PROG pin voltage for a scaled representation of the output current according to the relationship:

$$I_{BAT} = \frac{250 \cdot V_{PROG}}{R_{PROG}}$$

Note: Minimize capacitance on the PROG pin to prevent charger instability.

5. Allow the battery to charge for a complete cycle. \overline{CHRG} will disable the LED when the charge current has dropped below 10mA, but the timer will continue to run and charge current will flow until the timer period ends.

Optional

1. While powered off, change the setting of the EN jumper, JP1, to REG to evaluate the enable input regulation feature, or to OFF to disable charging.
2. Use an external thermistor connected to the NTC jumper, JP2, set to EXT.
3. To terminate charge on current, disable the TIMER input with JP3 set to OFF. LTC4079 will terminate on C/10 only.
4. The \overline{CHRG} LED can be disconnected to measure the true quiescent current of the LTC4079 in shutdown or for connection to external pull-up logic by setting the LED jumper, JP5 to OFF.
5. To change the battery charging voltage, set the V_{BAT} jumper, JP4. Alternatively, the feedback resistors may be adjusted for custom values, according to the battery voltage.

Note: DO NOT change the V_{BAT} with V_{IN} applied.

QUICK START PROCEDURE

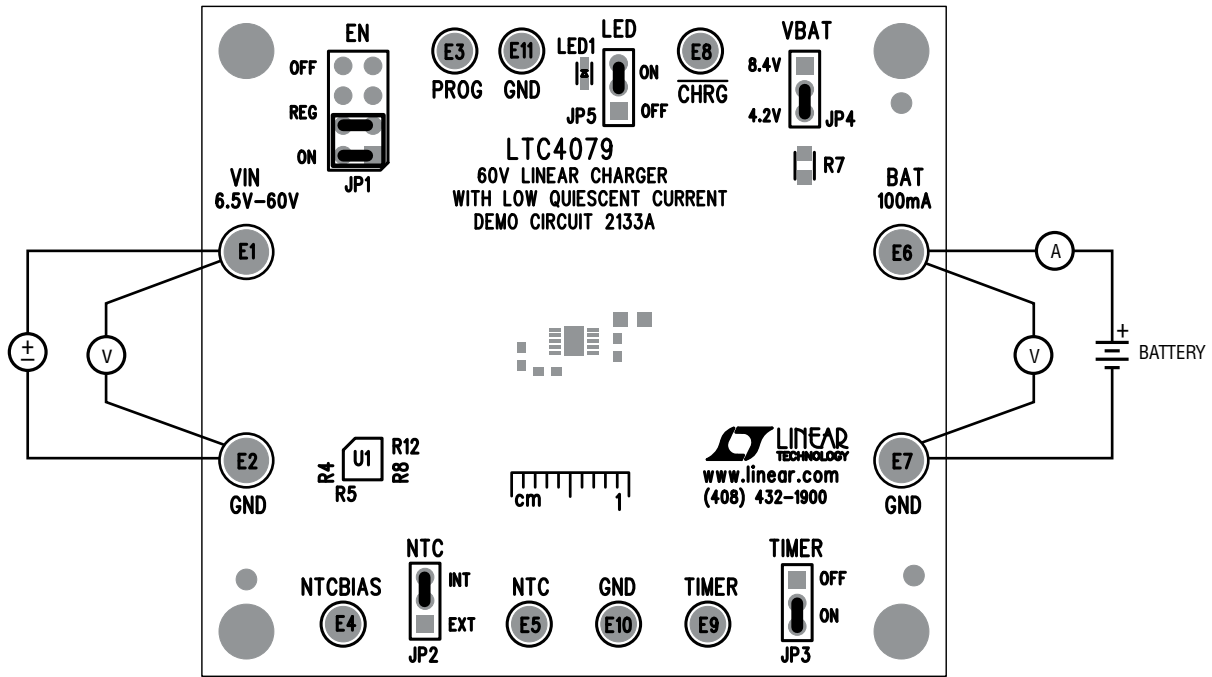


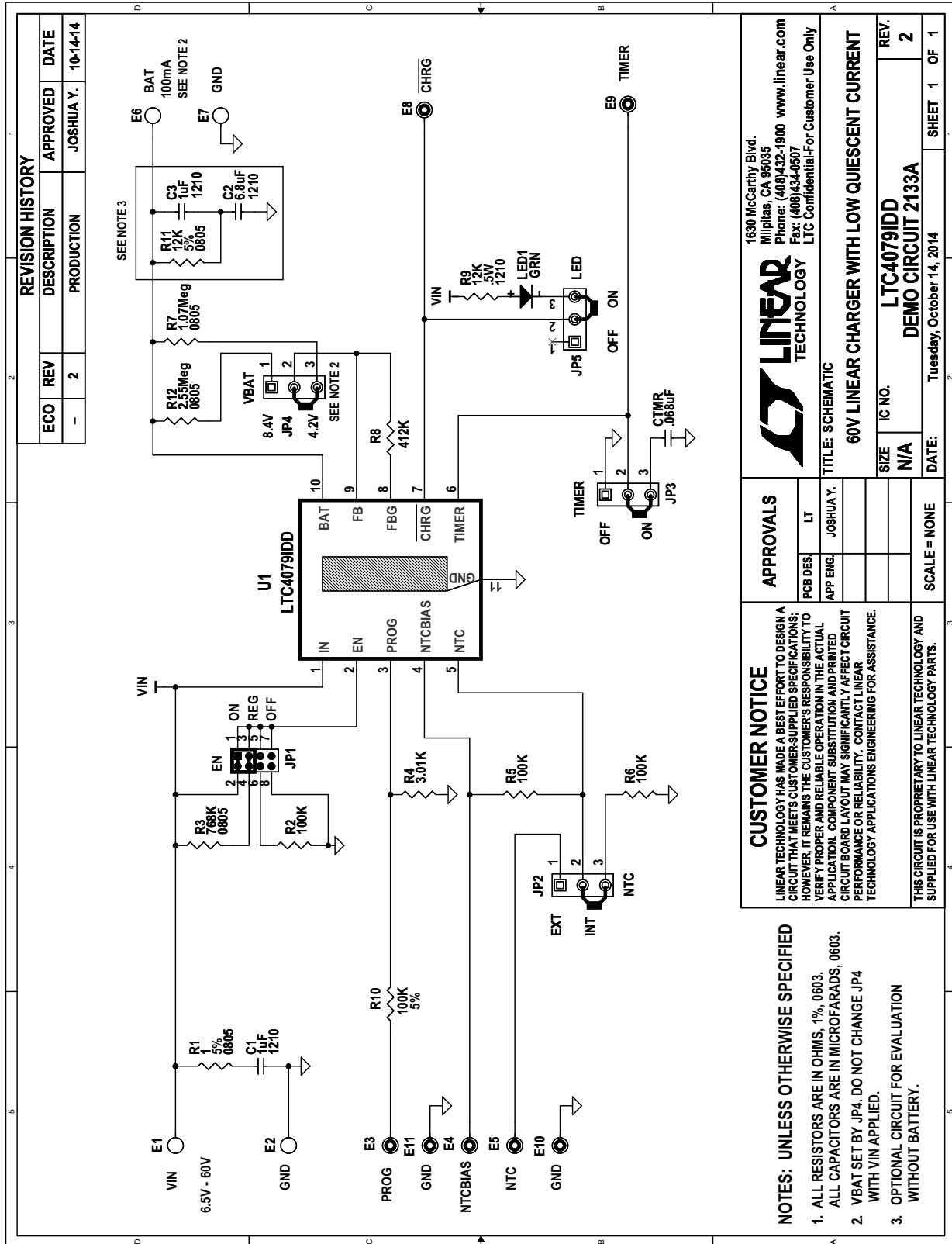
Figure 2. Proper Measurement Equipment Setup

DEMO MANUAL DC2133A

PARTS LIST

| ITEM | QTY | REFERENCE | PART DESCRIPTION | MANUFACTURER/PART NUMBER |
|---|-----|------------------------------|---|-----------------------------------|
| Required Circuit Components | | | | |
| 1 | 1 | C1, C3 | CAP, CHIP, X7R, 1 μ F, 20%, 100V, 1210 | AVX, 12101C105MAT2A |
| 2 | 1 | C2 | CAP, CHIP, X5R, 6.8 μ F, 10%, 25V, 1210 | TDK, C3225X5R1E685K |
| 3 | 1 | CTMR | CAP, CHIP, X7R, 0.068 μ F, 10%, 50V, 0603 | MURATA, GRM188R71H683KA93D |
| 4 | 3 | R2, R5, R6 | RES, CHIP, 100k Ω , 1%, 0603 | VISHAY, CRCW0603100KFKEA |
| 5 | 1 | R3 | RES, CHIP, 768k Ω , 1%, 0805 | VISHAY, CRCW0805768KFKEA |
| 6 | 1 | R4 | RES, CHIP, 3.01k Ω , 1%, 0603 | VISHAY, CRCW06033K01FKEA |
| 7 | 1 | R7 | RES, CHIP, 1.07M Ω , 1%, 0805 | VISHAY, CRCW08051M07FKEA |
| 8 | 1 | R8 | RES, CHIP, 412k Ω , 1%, 0603 | VISHAY, CRCW0603412KFKEA |
| 9 | 1 | R12 | RES, CHIP, 2.55M Ω , 1%, 0805 | VISHAY, CRCW08052M55FKEA |
| 10 | 1 | U1 | I.C., LTC4079IDD | LINEAR TECH., LTC4079IDD#PBF |
| Additional Demo Board Circuit Components | | | | |
| 1 | 1 | LED1 | DIODE, LED, SMT, GREEN, 0603 | LITE-ON, LTST-C190KGKT |
| 2 | 1 | R1 | RES, CHIP, 1 Ω , 5% 0805 | VISHAY, CRCW08051R00JNEA |
| 3 | 1 | R9 | RES, CHIP, 12k Ω , 3/4W, 5%, 1210 | VISHAY, CRCW121012K0JNEAHP |
| 4 | 1 | R10 | RES, CHIP, 100k Ω , 1%, 0603 | VISHAY, CRCW0603100KFKEA |
| 5 | 1 | R11 | RES, CHIP, 12k Ω , 5%, 0805 | VISHAY, CRCW080512K0JNEA |
| Hardware: For Demo Board Only | | | | |
| 1 | 4 | E1, E2, E6, E7 | TEST POINT, TURRET, 0.094" | MILL-MAX, 2501-2-00-80-00-00-07-0 |
| 2 | 7 | E3, E4, E5, E8, E9, E10, E11 | TEST POINT, TURRET, 0.062" | MILL-MAX, 2308-2-00-80-00-00-07-0 |
| 3 | 1 | JP1 | 2 x 4 PIN JUMPER, 0.1" | SAMTEC, TSW-104-07-L-D |
| 4 | 4 | JP2, JP3, JP4, JP5 | 3 PIN JUMPER, 2mm | SULLINS, NRPNO31PAEN-RC |
| 5 | 1 | XJP1 | SHUNT, 2 x 2, 0.1" | SAMTEC, MNT-102-BK-G |
| 6 | 4 | XJP2, XJP3, XJP4, XJP5 | SHUNT, 0.079" | SAMTEC, 2SN-BK-G |
| 7 | 4 | STAND-OFF | STAND-OFF, NYLON 0.25" | KEYSTONE, 8831(SNAP ON) |

SCHEMATIC DIAGRAM



DEMO MANUAL DC2133A

DEMONSTRATION BOARD IMPORTANT NOTICE

Linear Technology Corporation (LTC) provides the enclosed product(s) under the following **AS IS** conditions:

This demonstration board (DEMO BOARD) kit being sold or provided by Linear Technology is intended for use for **ENGINEERING DEVELOPMENT OR EVALUATION PURPOSES ONLY** and is not provided by LTC for commercial use. As such, the DEMO BOARD herein may not be complete in terms of required design-, marketing-, and/or manufacturing-related protective considerations, including but not limited to product safety measures typically found in finished commercial goods. As a prototype, this product does not fall within the scope of the European Union directive on electromagnetic compatibility and therefore may or may not meet the technical requirements of the directive, or other regulations.

If this evaluation kit does not meet the specifications recited in the DEMO BOARD manual the kit may be returned within 30 days from the date of delivery for a full refund. **THE FOREGOING WARRANTY IS THE EXCLUSIVE WARRANTY MADE BY THE SELLER TO BUYER AND IS IN LIEU OF ALL OTHER WARRANTIES, EXPRESSED, IMPLIED, OR STATUTORY, INCLUDING ANY WARRANTY OF MERCHANTABILITY OR FITNESS FOR ANY PARTICULAR PURPOSE. EXCEPT TO THE EXTENT OF THIS INDEMNITY, NEITHER PARTY SHALL BE LIABLE TO THE OTHER FOR ANY INDIRECT, SPECIAL, INCIDENTAL, OR CONSEQUENTIAL DAMAGES.**

The user assumes all responsibility and liability for proper and safe handling of the goods. Further, the user releases LTC from all claims arising from the handling or use of the goods. Due to the open construction of the product, it is the user's responsibility to take any and all appropriate precautions with regard to electrostatic discharge. Also be aware that the products herein may not be regulatory compliant or agency certified (FCC, UL, CE, etc.).

No License is granted under any patent right or other intellectual property whatsoever. **LTC assumes no liability for applications assistance, customer product design, software performance, or infringement of patents or any other intellectual property rights of any kind.**

LTC currently services a variety of customers for products around the world, and therefore this transaction **is not exclusive**.

Please read the DEMO BOARD manual prior to handling the product. Persons handling this product must have electronics training and observe good laboratory practice standards. **Common sense is encouraged.**

This notice contains important safety information about temperatures and voltages. For further safety concerns, please contact a LTC application engineer.

Mailing Address:

Linear Technology
1630 McCarthy Blvd.
Milpitas, CA 95035

Copyright © 2004, Linear Technology Corporation