

# 24-Bit High Speed 8-Channel $\Delta\Sigma$ ADCs with Selectable Multiple Reference Inputs

## FEATURES

- Five Selectable Differential Reference Inputs
- Four Differential/Eight Single-Ended Inputs
- 4-Way MUX for Multiple Ratiometric Measurements
- Up to 8kHz Output Rate
- Up to 4kHz Multiplexing Rate
- Selectable Speed/Resolution:
  - 2 $\mu$ V<sub>RMS</sub> Noise at 1.76kHz Output Rate
  - 200nV<sub>RMS</sub> Noise at 13.8Hz Output Rate with Simultaneous 50/60Hz Rejection
- Guaranteed Modulator Stability and Lock-Up Immunity for any Input and Reference Conditions
- 0.0005% INL, No Missing Codes
- Autosleep Enables 20 $\mu$ A Operation at 6.9Hz
- <5 $\mu$ V Offset (4.5V < V<sub>CC</sub> < 5.5V, -40°C to 85°C)
- Differential Input and Differential Reference with GND to V<sub>CC</sub> Common Mode Range
- No Latency Mode, Each Conversion is Accurate Even After a New Channel is Selected
- Internal Oscillator—No External Components
- LTC2447 Includes MUXOUT/ADCIN for External Buffering or Gain
- Tiny QFN 5mm x 7mm Package


## APPLICATIONS

- Flow
- Weight Scales
- Pressure
- Direct Temperature Measurement
- Gas Chromatography

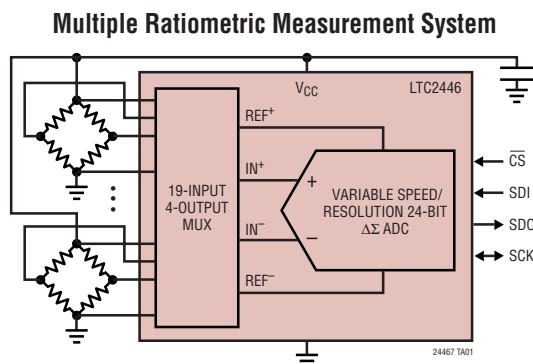
## DESCRIPTION

The LTC<sup>®</sup>2446/LTC2447 4-terminal switching enables multiplexed ratiometric measurements. Four sets of selectable differential inputs coupled with four sets of differential reference inputs allow multiple RTDs, bridges and other sensors to be digitized by a single converter. A fifth differential reference input can be selected for any input channel not requiring ratiometric measurements (thermocouples, voltages, current sense, etc.). The flexible input multiplexer allows single-ended or differential inputs coupled with a slaved reference input or a universal reference input.

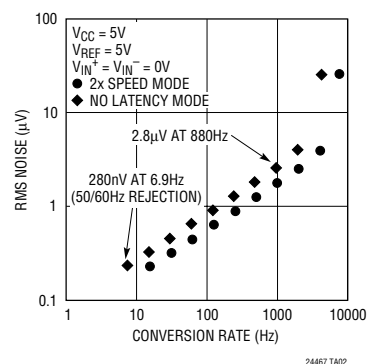
A proprietary delta-sigma architecture results in absolute accuracy (offset, full-scale, linearity) of 15ppm, noise as low as 200nV<sub>RMS</sub> and speeds as high as 8kHz. Through a simple 4-wire interface, ten speed/resolution combinations can be selected. The first conversion following a speed, resolution, channel change or reference change is valid since there is no settling time between conversions, enabling scan rates of up to 4kHz. Additionally, a 2x mode can be selected for any speed-enabling output rates up to 8kHz with one cycle of latency.

 LTC and LT are registered trademarks of Linear Technology Corporation. Protected by U.S. Patents, including 6140950, 6169506, 6208279, 6411242, 6639526

## TYPICAL APPLICATION



LTC2446 Speed vs RMS Noise



# LTC2446/LTC2447

## ABSOLUTE MAXIMUM RATINGS (Notes 1, 2)

Supply Voltage ( $V_{CC}$ ) to GND .....	-0.3V to 6V	Digital Output Voltage to GND .....	-0.3V to ( $V_{CC} + 0.3V$ )
Analog Input Pins Voltage to GND .....	-0.3V to ( $V_{CC} + 0.3V$ )	Operating Temperature Range LTC2446C/LTC2447C .....	0°C to 70°C
Reference Input Pins Voltage to GND .....	-0.3V to ( $V_{CC} + 0.3V$ )	LTC2446I/LTC2447I .....	-40°C to 85°C
Digital Input Voltage to GND .....	-0.3V to ( $V_{CC} + 0.3V$ )	Storage Temperature Range .....	-65°C to 125°C

## PACKAGE/ORDER INFORMATION

<p style="text-align: center;">TOP VIEW</p> <p style="text-align: center;">UHF PACKAGE 38-LEAD (5mm × 7mm) PLASTIC QFN</p> <p style="text-align: center;"><math>T_{JMAX} = 125^{\circ}C</math>, <math>\theta_{JA} = 34^{\circ}C/W</math> EXPOSED PAD (PIN 39) IS GND MUST BE SOLDERED TO PCB</p>		<p style="text-align: center;">TOP VIEW</p> <p style="text-align: center;">UHF PACKAGE 38-LEAD (5mm × 7mm) PLASTIC QFN</p> <p style="text-align: center;"><math>T_{JMAX} = 125^{\circ}C</math>, <math>\theta_{JA} = 34^{\circ}C/W</math> EXPOSED PAD (PIN 39) IS GND MUST BE SOLDERED TO PCB</p>	
ORDER PART NUMBER	QFN PART MARKING*	ORDER PART NUMBER	QFN PART MARKING*
LTC2446CUHF LTC2446IUHF	2446	LTC2447CUHF LTC2447IUHF	2447
<p><b>Order Options</b> Tape and Reel: Add #TR Lead Free: Add #PBF Lead Free Tape and Reel: Add #TRPBF Lead Free Part Marking: <a href="http://www.linear.com/leadfree/">http://www.linear.com/leadfree/</a></p>			

\*The temperature grade is identified by a label on the shipping container. Consult LTC Marketing for parts specified with wider operating temperature ranges.

## ELECTRICAL CHARACTERISTICS

The ● denotes specifications which apply over the full operating temperature range, otherwise specifications are at  $T_A = 25^\circ\text{C}$ . (Notes 3, 4)

PARAMETER	CONDITIONS	MIN	TYP	MAX	UNITS
Resolution (No Missing Codes)	$0.1\text{V} \leq V_{\text{REF}} \leq V_{\text{CC}}$ , $-0.5 \cdot V_{\text{REF}} \leq V_{\text{IN}} \leq 0.5 \cdot V_{\text{REF}}$ , (Note 5)	●	24		Bits
Integral Nonlinearity	$V_{\text{CC}} = 5\text{V}$ , $\text{REF}^+ = 5\text{V}$ , $\text{REF}^- = \text{GND}$ , $V_{\text{INCM}} = 2.5\text{V}$ , (Note 6) $\text{REF}^+ = 2.5\text{V}$ , $\text{REF}^- = \text{GND}$ , $V_{\text{INCM}} = 1.25\text{V}$ , (Note 6)	●	5 3	15	ppm of $V_{\text{REF}}$ ppm of $V_{\text{REF}}$
Offset Error	$2.5\text{V} \leq \text{REF}^+ \leq V_{\text{CC}}$ , $\text{REF}^- = \text{GND}$ , $\text{GND} \leq \text{IN}^+ = \text{IN}^- \leq V_{\text{CC}}$ (Note 12)	●	2.5	5	$\mu\text{V}$
Offset Error Drift	$2.5\text{V} \leq \text{REF}^+ \leq V_{\text{CC}}$ , $\text{REF}^- = \text{GND}$ , $\text{GND} \leq \text{IN}^+ = \text{IN}^- \leq V_{\text{CC}}$		20		$\text{nV}/^\circ\text{C}$
Positive Full-Scale Error	$\text{REF}^+ = 5\text{V}$ , $\text{REF}^- = \text{GND}$ , $\text{IN}^+ = 3.75\text{V}$ , $\text{IN}^- = 1.25\text{V}$ $\text{REF}^+ = 2.5\text{V}$ , $\text{REF}^- = \text{GND}$ , $\text{IN}^+ = 1.875\text{V}$ , $\text{IN}^- = 0.625\text{V}$	● ●	10 10	50 50	ppm of $V_{\text{REF}}$ ppm of $V_{\text{REF}}$
Positive Full-Scale Error Drift	$2.5\text{V} \leq \text{REF}^+ \leq V_{\text{CC}}$ , $\text{REF}^- = \text{GND}$ , $\text{IN}^+ = 0.75\text{REF}^+$ , $\text{IN}^- = 0.25 \cdot \text{REF}^+$		0.2		ppm of $V_{\text{REF}}/^\circ\text{C}$
Negative Full-Scale Error	$\text{REF}^+ = 5\text{V}$ , $\text{REF}^- = \text{GND}$ , $\text{IN}^+ = 1.25\text{V}$ , $\text{IN}^- = 3.75\text{V}$ $\text{REF}^+ = 2.5\text{V}$ , $\text{REF}^- = \text{GND}$ , $\text{IN}^+ = 0.625\text{V}$ , $\text{IN}^- = 1.875\text{V}$	● ●	10 10	50 50	ppm of $V_{\text{REF}}$ ppm of $V_{\text{REF}}$
Negative Full-Scale Error Drift	$2.5\text{V} \leq \text{REF}^+ \leq V_{\text{CC}}$ , $\text{REF}^- = \text{GND}$ , $\text{IN}^+ = 0.25 \cdot \text{REF}^+$ , $\text{IN}^- = 0.75 \cdot \text{REF}^+$		0.2		ppm of $V_{\text{REF}}/^\circ\text{C}$
Total Unadjusted Error	$5\text{V} \leq V_{\text{CC}} \leq 5.5\text{V}$ , $\text{REF}^+ = 2.5\text{V}$ , $\text{REF}^- = \text{GND}$ , $V_{\text{INCM}} = 1.25\text{V}$ $5\text{V} \leq V_{\text{CC}} \leq 5.5\text{V}$ , $\text{REF}^+ = 5\text{V}$ , $\text{REF}^- = \text{GND}$ , $V_{\text{INCM}} = 2.5\text{V}$ $\text{REF}^+ = 2.5\text{V}$ , $\text{REF}^- = \text{GND}$ , $V_{\text{INCM}} = 1.25\text{V}$ , (Note 6)		15 15 15		ppm of $V_{\text{REF}}$ ppm of $V_{\text{REF}}$ ppm of $V_{\text{REF}}$
Input Common Mode Rejection DC	$2.5\text{V} \leq \text{REF}^+ \leq V_{\text{CC}}$ , $\text{REF}^- = \text{GND}$ , $\text{GND} \leq \text{IN}^- = \text{IN}^+ \leq V_{\text{CC}}$		120		dB

## ANALOG INPUT AND REFERENCE

The ● denotes specifications which apply over the full operating temperature range, otherwise specifications are at  $T_A = 25^\circ\text{C}$ . (Note 3)

SYMBOL	PARAMETER	CONDITIONS	MIN	TYP	MAX	UNITS	
$\text{IN}^+$	Absolute/Common Mode $\text{IN}^+$ Voltage	●	$\text{GND} - 0.3\text{V}$		$V_{\text{CC}} + 0.3\text{V}$	V	
$\text{IN}^-$	Absolute/Common Mode $\text{IN}^-$ Voltage	●	$\text{GND} - 0.3\text{V}$		$V_{\text{CC}} + 0.3\text{V}$	V	
$V_{\text{IN}}$	Input Differential Voltage Range ( $\text{IN}^+ - \text{IN}^-$ )	●	$-V_{\text{REF}}/2$		$V_{\text{REF}}/2$	V	
$\text{REF}^+$	Absolute/Common Mode $\text{REF}^+$ Voltage	●	0.1		$V_{\text{CC}}$	V	
$\text{REF}^-$	Absolute/Common Mode $\text{REF}^-$ Voltage	●	GND		$V_{\text{CC}} - 0.1\text{V}$	V	
$V_{\text{REF}}$	Reference Differential Voltage Range ( $\text{REF}^+ - \text{REF}^-$ )	●	0.1		$V_{\text{CC}}$	V	
$C_{\text{S}}(\text{IN}^+)$	$\text{IN}^+$ Sampling Capacitance			2		pF	
$C_{\text{S}}(\text{IN}^-)$	$\text{IN}^-$ Sampling Capacitance			2		pF	
$C_{\text{S}}(\text{REF}^+)$	$\text{REF}^+$ Sampling Capacitance			2		pF	
$C_{\text{S}}(\text{REF}^-)$	$\text{REF}^-$ Sampling Capacitance			2		pF	
$I_{\text{DC\_LEAK}}(\text{IN}^+, \text{IN}^-, \text{REF}^+, \text{REF}^-)$	Leakage Current, Inputs and Reference	$\overline{\text{CS}} = V_{\text{CC}}$ , $\text{IN}^+ = \text{GND}$ , $\text{IN}^- = \text{GND}$ , $\text{REF}^+ = 5\text{V}$ , $\text{REF}^- = \text{GND}$	●	-15	1	15	nA
$I_{\text{SAMPLE}}(\text{IN}^+, \text{IN}^-, \text{REF}^+, \text{REF}^-)$	Average Input/Reference Current During Sampling			Varies, See Applications Section		nA	
$t_{\text{OPEN}}$	MUX Break-Before-Make			50		ns	
QIRR	MUX Off Isolation	$V_{\text{IN}} = 2V_{\text{P-P}}$ DC to 1.8MHz		120		dB	

## DIGITAL INPUTS AND DIGITAL OUTPUTS

The ● denotes specifications which apply over the full operating temperature range, otherwise specifications are at  $T_A = 25^\circ\text{C}$ . (Note 3)

SYMBOL	PARAMETER	CONDITIONS	MIN	TYP	MAX	UNITS
$V_{IH}$	High Level Input Voltage CS, F <sub>0</sub>	$4.5\text{V} \leq V_{CC} \leq 5.5\text{V}$	●	2.5		V
$V_{IL}$	Low Level Input Voltage CS, F <sub>0</sub>	$4.5\text{V} \leq V_{CC} \leq 5.5\text{V}$	●		0.8	V
$V_{IH}$	High Level Input Voltage SCK	$4.5\text{V} \leq V_{CC} \leq 5.5\text{V}$ (Note 8)	●	2.5		V
$V_{IL}$	Low Level Input Voltage SCK	$4.5\text{V} \leq V_{CC} \leq 5.5\text{V}$ (Note 8)	●		0.8	V
$I_{IN}$	Digital Input Current CS, F <sub>0</sub> , EXT, SOI	$0\text{V} \leq V_{IN} \leq V_{CC}$	●	-10	10	$\mu\text{A}$
$I_{IN}$	Digital Input Current SCK	$0\text{V} \leq V_{IN} \leq V_{CC}$ (Note 8)	●	-10	10	$\mu\text{A}$
$C_{IN}$	Digital Input Capacitance CS, F <sub>0</sub>			10		pF
$C_{IN}$	Digital Input Capacitance SCK	(Note 8)		10		pF
$V_{OH}$	High Level Output Voltage SDO, BUSY	$I_O = -800\mu\text{A}$	●	$V_{CC} - 0.5\text{V}$		V
$V_{OL}$	Low Level Output Voltage SDO, BUSY	$I_O = 1.6\text{mA}$	●		0.4V	V
$V_{OH}$	High Level Output Voltage SCK	$I_O = -800\mu\text{A}$ (Note 9)	●	$V_{CC} - 0.5\text{V}$		V
$V_{OL}$	Low Level Output Voltage SCK	$I_O = 1.6\text{mA}$ (Note 9)	●		0.4V	V
$I_{OZ}$	Hi-Z Output Leakage SDO		●	-10	10	$\mu\text{A}$

## POWER REQUIREMENTS

The ● denotes specifications which apply over the full operating temperature range, otherwise specifications are at  $T_A = 25^\circ\text{C}$ . (Note 3)

SYMBOL	PARAMETER	CONDITIONS	MIN	TYP	MAX	UNITS
$V_{CC}$	Supply Voltage		●	4.5	5.5	V
$I_{CC}$	Supply Current					
	Conversion Mode	$\overline{\text{CS}} = 0\text{V}$ (Note 7)	●	8	11	$\text{mA}$
	Sleep Mode	$\overline{\text{CS}} = V_{CC}$ (Note 7)	●	8	30	$\mu\text{A}$

## TIMING CHARACTERISTICS

The ● denotes specifications which apply over the full operating temperature range, otherwise specifications are at  $T_A = 25^\circ\text{C}$ . (Note 3)

SYMBOL	PARAMETER	CONDITIONS	MIN	TYP	MAX	UNITS
$f_{EOSC}$	External Oscillator Frequency Range		●	0.1	20	MHz
$t_{HEO}$	External Oscillator High Period		●	25	10000	ns
$t_{LEO}$	External Oscillator Low Period		●	25	10000	ns
$t_{CONV}$	Conversion Time	OSR = 256	●	0.99	1.33	ms
		OSR = 32768	●	126	145	ms
		External Oscillator (Notes 10, 13)	●	$\frac{40 \cdot \text{OSR} + 170}{f_{EOSC} \text{ (kHz)}}$		ms
$f_{ISCK}$	Internal SCK Frequency	Internal Oscillator (Note 9)	●	0.8	0.9	MHz
		External Oscillator (Notes 9, 10)		$f_{EOSC}/10$		Hz

## TIMING CHARACTERISTICS

The ● denotes specifications which apply over the full operating temperature range, otherwise specifications are at  $T_A = 25^\circ\text{C}$ . (Note 3)

SYMBOL	PARAMETER	CONDITIONS	MIN	TYP	MAX	UNITS
$D_{\text{ISCK}}$	Internal SCK Duty Cycle	(Note 9)	●	45	55	%
$f_{\text{ESCK}}$	External SCK Frequency Range	(Note 8)	●		20	MHz
$t_{\text{LESCK}}$	External SCK Low Period	(Note 8)	●	25		ns
$t_{\text{HESCK}}$	External SCK High Period	(Note 8)	●	25		ns
$t_{\text{DOUT\_ISCK}}$	Internal SCK 32-Bit Data Output Time	Internal Oscillator (Notes 9, 11) External Oscillator (Notes 9, 10)	●	41.6	35.3 $320/f_{\text{EOSC}}$	30.9 $\mu\text{s}$
$t_{\text{DOUT\_ESCK}}$	External SCK 32-Bit Data Output Time	(Note 8)	●		$32/f_{\text{ESCK}}$	s
$t_1$	$\overline{\text{CS}}$ ↓ to SDO Low Z	(Note 12)	●	0	25	ns
$t_2$	$\overline{\text{CS}}$ ↑ to SDO High Z	(Note 12)	●	0	25	ns
$t_3$	$\overline{\text{CS}}$ ↓ to SCK ↓	(Note 9)		5		$\mu\text{s}$
$t_4$	$\overline{\text{CS}}$ ↓ to SCK ↑	(Notes 8, 12)	●	25		ns
$t_{\text{KQMAX}}$	SCK ↓ to SDO Valid		●		25	ns
$t_{\text{KQMIN}}$	SDO Hold After SCK ↓	(Note 5)	●	15		ns
$t_5$	SCK Setup Before $\overline{\text{CS}}$ ↓		●	50		ns
$t_6$	SCK Hold After $\overline{\text{CS}}$ ↓		●		50	ns
$t_7$	SDI Setup Before SCK ↑	(Note 5)	●	10		ns
$t_8$	SDI Hold After SCK ↑	(Note 5)	●	10		ns

**Note 1:** Absolute Maximum Ratings are those values beyond which the life of the device may be impaired.

**Note 2:** All voltage values are with respect to GND.

**Note 3:**  $V_{\text{CC}} = 4.5\text{V}$  to  $5.5\text{V}$  unless otherwise specified.

$V_{\text{REF}} = \text{REF}^+ - \text{REF}^-$ ,  $V_{\text{REFCM}} = (\text{REF}^+ + \text{REF}^-)/2$ ;  $\text{REF}^+$  is the positive reference input,  $\text{REF}^-$  is the negative reference input;  $V_{\text{IN}} = \text{IN}^+ - \text{IN}^-$ ,  $V_{\text{INCM}} = (\text{IN}^+ + \text{IN}^-)/2$ .

**Note 4:**  $F_0$  pin tied to GND or to external conversion clock source with  $f_{\text{EOSC}} = 10\text{MHz}$  unless otherwise specified.

**Note 5:** Guaranteed by design, not subject to test.

**Note 6:** Integral nonlinearity is defined as the deviation of a code from a straight line passing through the actual endpoints of the transfer curve. The deviation is measured from the center of the quantization band.

**Note 7:** The converter uses the internal oscillator.

**Note 8:** The converter is in external SCK mode of operation such that the SCK pin is used as a digital input. The frequency of the clock signal driving SCK during the data output is  $f_{\text{ESCK}}$  and is expressed in Hz.

**Note 9:** The converter is in internal SCK mode of operation such that the SCK pin is used as a digital output. In this mode of operation, the SCK pin has a total equivalent load capacitance of  $C_{\text{LOAD}} = 20\text{pF}$ .

**Note 10:** The external oscillator is connected to the  $F_0$  pin. The external oscillator frequency,  $f_{\text{EOSC}}$ , is expressed in Hz.

**Note 11:** The converter uses the internal oscillator.  $F_0 = 0\text{V}$ .

**Note 12:** Guaranteed by design and test correlation.

**Note 13:** There is an internal reset that adds an additional  $1\mu\text{s}$  (typ) to the conversion time.

## PIN FUNCTIONS

**GND (Pins 1, 4, 5, 6, 31, 32, 33):** Ground. Multiple ground pins internally connected for optimum ground current flow and  $V_{\text{CC}}$  decoupling. Connect each one of these pins to a common ground plane through a low impedance connection. All seven pins must be connected to ground for proper operation.

**BUSY (Pin 2):** Conversion in Progress Indicator. This pin is HIGH while the conversion is in progress and goes LOW indicating the conversion is complete and data is ready. It remains LOW during the sleep and data output states. At the conclusion of the data output state, it goes HIGH indicating a new conversion has begun.

**$\overline{\text{EXT}}$  (Pin 3):** Internal/External SCK Selection Pin. This pin is used to select internal or external SCK for outputting/inputting data. If  $\overline{\text{EXT}}$  is tied low, the device is in the external SCK mode and data is shifted out of the device under the control of a user applied serial clock. If  $\overline{\text{EXT}}$  is tied high, the internal serial clock mode is selected. The device generates its own SCK signal and outputs this on the SCK pin. A framing signal BUSY (Pin 2) goes low indicating data is being output.

**COM (Pin 7):** The common negative input ( $\text{IN}^-$ ) for all single ended multiplexer configurations. The voltage on  $\text{CH0-CH7}$  and COM pins can have any value between GND

## PIN FUNCTIONS

–0.3V to  $V_{CC} + 0.3V$ . Within these limits, the two selected inputs ( $IN^+$  and  $IN^-$ ) provide a bipolar input range ( $V_{IN} = IN^+ - IN^-$ ) from  $-0.5 \cdot V_{REF}$  to  $0.5 \cdot V_{REF}$ . Outside this input range, the converter produces unique over-range and under-range output codes.

**CH0 to CH7 (Pins 8, 9, 12, 13, 16, 17, 20, 21):** Analog Inputs. May be programmed for Single-ended or Differential mode.

**$V_{REF01}^+$  (Pin 11),  $V_{REF01}^-$  (Pin 10)  $V_{REF23}^+$  (Pin 15),  $V_{REF23}^-$  (Pin 14),  $V_{REF45}^+$  (Pin 19),  $V_{REF45}^-$  (Pin 18),  $V_{REF67}^+$  (Pin 23),  $V_{REF67}^-$  (Pin 22):** Differential Reference Inputs. The voltage on these pins can be anywhere between 0V and  $V_{CC}$  as long as the positive reference input ( $V_{REF01}^+$ ,  $V_{REF23}^+$ ,  $V_{REF45}^+$ ,  $V_{REF67}^+$ ) is greater than the corresponding negative reference input ( $V_{REF01}^-$ ,  $V_{REF23}^-$ ,  $V_{REF45}^-$ ,  $V_{REF67}^-$ ) by at least 100mV.

**NC (Pins 24, 25, 26, 27):** LTC2446 No Connect. These pins can either be tied to ground or left floating.

**MUXOUTP (Pin 24):** LTC2447 Positive Input Channel Multiplexer Output. Used to drive the input to an external buffer/amplifier for the selected positive input signal ( $IN^+$ ).

**ADCINP (Pin 25):** LTC2447 Positive ADC Input. Tie to output of buffer/amplifier driven by MUXOUTP.

**ADCINN (Pin 26):** LTC2447 Negative ADC Input. Tie to output of buffer/amplifier driven by MUXOUTN.

**MUXOUTN (Pin 27):** LTC2447 Negative Input Channel Multiplexer Output. Used to drive the input to an external buffer/amplifier for the selected negative input signal ( $IN^-$ ).

**$V_{CC}$  (Pin 28):** Positive Supply Voltage. Bypass to GND with a 10 $\mu$ F tantalum capacitor in parallel with a 0.1 $\mu$ F ceramic capacitor as close to the part as possible.

**$V_{REFG}^+$  (Pin 29),  $V_{REFG}^-$  (Pin 30):** Global Reference Input. This differential reference input can be used for any input channel selected through a single bit in the digital input word.

**SDI (Pin 34):** Serial Data Input. This pin is used to select the speed, 1x or 2x mode, resolution, input channel and reference input for the next conversion cycle. At initial power-up, the default mode of operation is CH0-CH1,  $V_{REF01}$ , OSR of 256, and 1x mode. The serial data input

contains an enable bit which determines if a new channel/speed is selected. If this bit is low the following conversion remains at the same speed and selected channel. The serial data input is applied to the device under control of the serial clock (SCK) during the data output cycle. The first conversion following a new channel/speed is valid.

**$F_0$  (Pin 35):** Frequency Control Pin. Digital input that controls the internal conversion clock. When  $F_0$  is connected to  $V_{CC}$  or GND, the converter uses its internal oscillator running at 9MHz. The conversion rate is determined by the selected OSR such that  $t_{CONV}$  (ms) =  $(40 \cdot OSR + 170)/f_{OSC}$  (kHz). The first digital filter null is located at  $8/t_{CONV}$ , 7kHz at OSR = 256 and 55Hz (Simultaneous 50/60Hz) at OSR = 32768. This pin may be driven with a maximum external clock of 10.24MHz resulting in a maximum 8kHz output rate (OSR = 64, 2x Mode).

**$\overline{CS}$  (Pin 36):** Active Low Chip Select. A LOW on this pin enables the SDO digital output and wakes up the ADC. Following each conversion the ADC automatically enters the sleep mode and remains in this low power state as long as  $\overline{CS}$  is HIGH. A LOW-to-HIGH transition on  $\overline{CS}$  during the Data Output aborts the data transfer and starts a new conversion.

**SDO (Pin 37):** Three-State Digital Output. During the data output period, this pin is used as serial data output. When the chip select  $\overline{CS}$  is HIGH ( $\overline{CS} = V_{CC}$ ) the SDO pin is in a high impedance state. During the conversion and sleep periods, this pin is used as the conversion status output. The conversion status can be observed by pulling  $\overline{CS}$  LOW. This signal is HIGH while the conversion is in progress and goes LOW once the conversion is complete.

**SCK (Pin 38):** Bidirectional Digital Clock Pin. In internal serial clock operation mode, SCK is used as a digital output for the internal serial interface clock during the data output period. In the external serial clock operation mode, SCK is used as the digital input for the external serial interface clock during the data output period. The serial clock operation mode is determined by the logic level applied to the EXT pin.

**Exposed Pad (Pin 39):** Ground. The exposed pad on the bottom of the package must be soldered to the PCB ground. For Prototyping purposes, this pin may remain floating.

## FUNCTIONAL BLOCK DIAGRAM

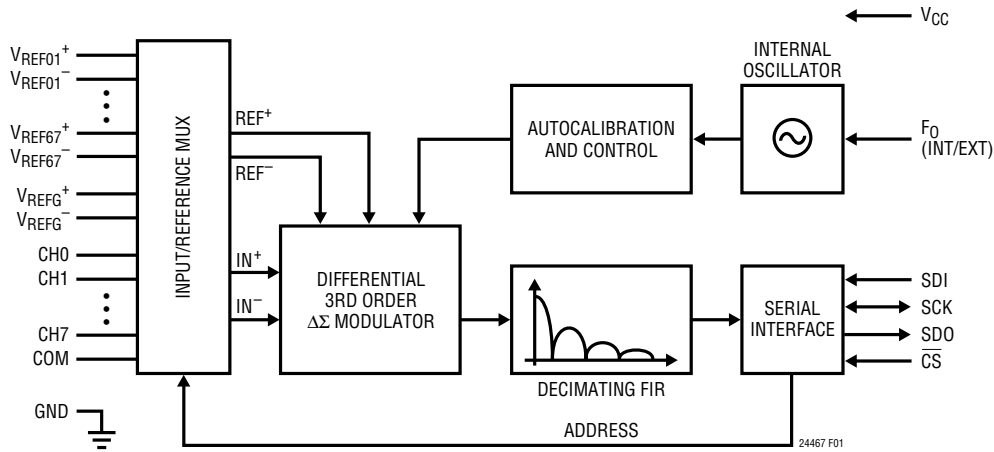


Figure 1. Functional Block Diagram

## TEST CIRCUITS



## APPLICATIONS INFORMATION

### CONVERTER OPERATION

#### Converter Operation Cycle

The LTC2446/LTC2447 are multichannel, multireference high speed, delta-sigma analog-to-digital converters with an easy to use 3- or 4-wire serial interface (see Figure 1). Their operation is made up of three states. The converter operating cycle begins with the conversion, followed by the low power sleep state and ends with the data output/input (see Figure 2). The 4-wire interface consists of serial data input (SDI), serial data output (SDO), serial clock (SCK) and chip select (CS). The interface, timing, operation cycle and data out format is compatible with Linear's entire family of  $\Delta\Sigma$  converters.

Initially, the LTC2446/LTC2447 perform a conversion. Once the conversion is complete, the device enters the

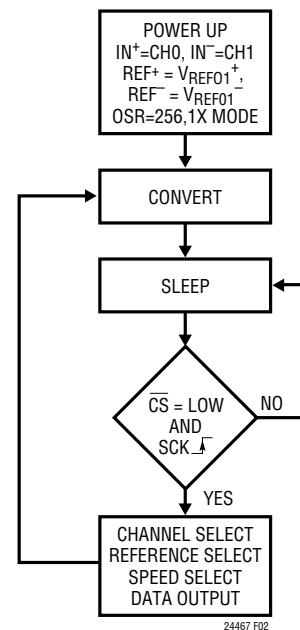


Figure 2. LTC2446/LTC2447 State Transition Diagram

## APPLICATIONS INFORMATION

sleep state. While in this sleep state, power consumption is reduced below  $10\mu\text{A}$ . The part remains in the sleep state as long as  $\overline{\text{CS}}$  is HIGH. The conversion result is held indefinitely in a static shift register while the converter is in the sleep state.

Once  $\overline{\text{CS}}$  is pulled LOW, the device begins outputting the conversion result. There is no latency in the conversion result while operating in the 1x mode. The data output corresponds to the conversion just performed. This result is shifted out on the serial data out pin (SDO) under the control of the serial clock (SCK). Data is updated on the falling edge of SCK allowing the user to reliably latch data on the rising edge of SCK (see Figure 3). The data output state is concluded once 32 bits are read out of the ADC or when  $\overline{\text{CS}}$  is brought HIGH. The device automatically initiates a new conversion and the cycle repeats.

Through timing control of the  $\overline{\text{CS}}$ , SCK and  $\overline{\text{EXT}}$  pins, the LTC2446/LTC2447 offer several flexible modes of operation (internal or external SCK). These various modes do not require programming configuration registers; moreover, they do not disturb the cyclic operation described above. These modes of operation are described in detail in the Serial Interface Timing Modes section.

### Ease of Use

The LTC2446/LTC2447 data output has no latency, filter settling delay or redundant data associated with the conversion cycle while operating in the 1x mode. There is a one-to-one correspondence between the conversion and the output data. Therefore, multiplexing multiple analog voltages and references is easy. Speed/resolution adjustments may be made seamlessly between two conversions without settling errors.

The LTC2446/LTC2447 perform offset and full-scale calibrations every conversion cycle. This calibration is transparent to the user and has no effect on the cyclic operation described above. The advantage of continuous calibration is extreme stability of offset and full-scale readings with respect to time, supply voltage change and temperature drift.

### Power-Up Sequence

The LTC2446/LTC2447 automatically enter an internal reset state when the power supply voltage  $V_{\text{CC}}$  drops

below approximately 2.2V. This feature guarantees the integrity of the conversion result and of the serial interface mode selection.

When the  $V_{\text{CC}}$  voltage rises above this critical threshold, the converter creates an internal power-on-reset (POR) signal with a duration of approximately 0.5ms. The POR signal clears all internal registers. The conversion immediately following a POR is performed on the input channel  $\text{IN}^+ = \text{CH0}$ ,  $\text{IN}^- = \text{CH1}$ ,  $\text{REF}^+ = V_{\text{REF01}^+}$ ,  $\text{REF}^- = V_{\text{REF01}^-}$  at an  $\text{OSR} = 256$  in the 1x mode. Following the POR signal, the LTC2446/LTC2447 start a normal conversion cycle and follow the succession of states described above. The first conversion result following POR is accurate within the specifications of the device if the power supply voltage is restored within the operating range (4.5V to 5.5V) before the end of the POR time interval.

### Reference Voltage Range

These converters accept truly differential external reference voltages. Each set of five reference inputs may be independently driven to any common mode voltage over the entire supply range of the device (GND to  $V_{\text{CC}}$ ). For correct converter operation, each positive reference pin  $\text{REF}^+$  ( $V_{\text{REF01}^+}$ ,  $V_{\text{REF23}^+}$ ,  $V_{\text{REF45}^+}$ ,  $V_{\text{REF67}^+}$ ,  $V_{\text{REFG}^+}$ ) must be more positive than its corresponding negative reference pin  $\text{REF}^-$  ( $V_{\text{REF01}^-}$ ,  $V_{\text{REF23}^-}$ ,  $V_{\text{REF45}^-}$ ,  $V_{\text{REF67}^-}$ ,  $V_{\text{REFG}^-}$ ) by at least 100mV.

The LTC2446/LTC2447 can accept a differential reference from 0.1V to  $V_{\text{CC}}$  on each set of reference input pins. The converter output noise is determined by the thermal noise of the front-end circuits, and as such, its value in microvolts is nearly constant with reference voltage. A decrease in reference voltage will not significantly improve the converter's effective resolution. On the other hand, a reduced reference voltage will improve the converter's overall INL performance.

### Input Voltage Range

The analog input is truly differential with an absolute/common mode range for the CH0-CH7 and COM input pins extending from  $\text{GND} - 0.3\text{V}$  to  $V_{\text{CC}} + 0.3\text{V}$ . Outside these limits, the ESD protection devices begin to turn on and the errors due to input leakage current increase rapidly. Within these limits, the LTC2446/LTC2447

244671a



## APPLICATIONS INFORMATION

convert the bipolar differential input signal,  $V_{IN} = IN^+ - IN^-$  (where  $IN^+$  and  $IN^-$  are the selected input channels), from  $-FS = -0.5 \cdot V_{REF}$  to  $+FS = 0.5 \cdot V_{REF}$  where  $V_{REF} = REF^+ - REF^-$  ( $REF^+$  and  $REF^-$  are the selected references). Outside this range, the converter indicates the overrange or the underrange condition using distinct output codes.

### MUXOUT/ADCIN

There are two differences between the LTC2446 and the LTC2447. The first is the RMS noise performance. For a given OSR, the LTC2447 noise level is approximately  $\sqrt{2}$  times lower (0.5 effective bits) than that of the LTC2446.

The second difference is the LTC2447 includes MUXOUT/ADCIN pins. These pins enable an external buffer or gain block to be inserted between the selected input channel of the multiplexer and the input to the ADC. Since the buffer is driven by the output of the multiplexer, only one circuit is required for all 8 input channels. Additionally, the transparent calibration feature of the LTC244X family automatically removes the offset errors of the external buffer.

In order to achieve optimum performance, the MUXOUT and ADCIN pins should not be shorted together. In applications where the MUXOUT and ADCIN need to be shorted together, the LTC2446 should be used because the MUXOUT and ADCIN are internally connected for optimum performance.

### Output Data Format

The LTC2446/LTC2447 serial output data stream is 32 bits long. The first 3 bits represent status information indicating the sign and conversion state. The next 24 bits are the conversion result, MSB first. The remaining 5 bits are sub LSBs beyond the 24-bit level that may be included in averaging or discarded without loss of resolution. In the case of ultrahigh resolution modes, more than 24 effective bits of performance are possible (see Table 4). Under these conditions, sub LSBs are included in the conversion result and represent useful information beyond the 24-bit level. The third and fourth bit together are also used to indicate an underrange condition (the differential input voltage is below  $-FS$ ) or an overrange condition (the differential input voltage is above  $+FS$ ).

Bit 31 (first output bit) is the end of conversion ( $\overline{EOC}$ ) indicator. This bit is available at the SDO pin during the conversion and sleep states whenever the  $\overline{CS}$  pin is LOW. This bit is HIGH during the conversion and goes LOW when the conversion is complete.

Bit 30 (second output bit) is a dummy bit (DMY) and is always LOW.

Bit 29 (third output bit) is the conversion result sign indicator (SIG). If  $V_{IN}$  is  $>0$ , this bit is HIGH. If  $V_{IN}$  is  $<0$ , this bit is LOW.

Bit 28 (fourth output bit) is the most significant bit (MSB) of the result. This bit in conjunction with Bit 29 also provides the underrange or overrange indication. If both Bit 29 and Bit 28 are HIGH, the differential input voltage is above  $+FS$ . If both Bit 29 and Bit 28 are LOW, the differential input voltage is below  $-FS$ .

The function of these bits is summarized in Table 1.

**Table 1. LTC2446/LTC2447 Status Bits**

INPUT RANGE	BIT 31 $\overline{EOC}$	BIT 30 DMY	BIT 29 SIG	BIT 28 MSB
$V_{IN} \geq 0.5 \cdot V_{REF}$	0	0	1	1
$0V \leq V_{IN} < 0.5 \cdot V_{REF}$	0	0	1	0
$-0.5 \cdot V_{REF} \leq V_{IN} < 0V$	0	0	0	1
$V_{IN} < -0.5 \cdot V_{REF}$	0	0	0	0

Bits 28-5 are the 24-bit conversion result MSB first.

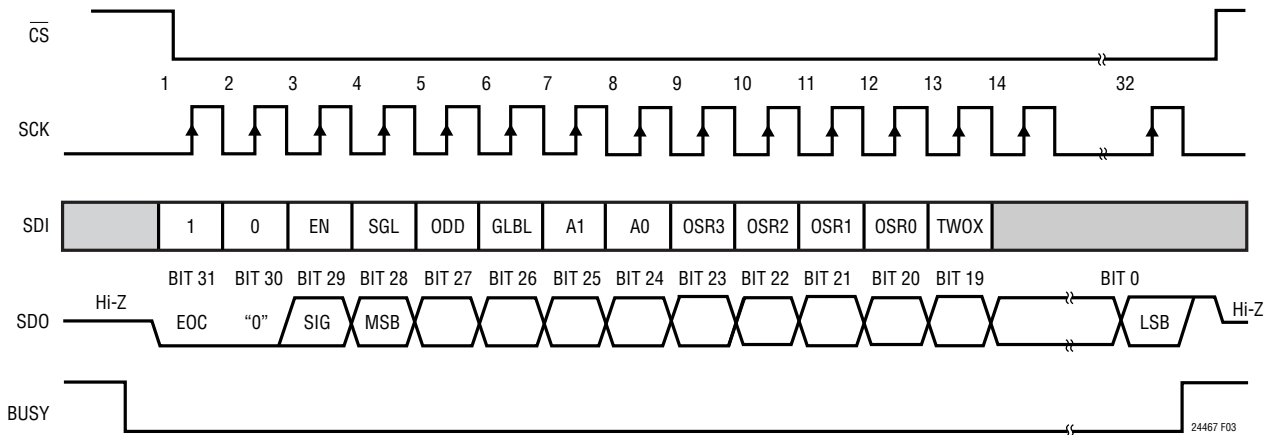
Bit 5 is the least significant bit (LSB).

Bits 4-0 are sub LSBs below the 24-bit level. Bits 4-0 may be included in averaging or discarded without loss of resolution.

Data is shifted out of the SDO pin under control of the serial clock (SCK), see Figure 3. Whenever  $\overline{CS}$  is HIGH, SDO remains high impedance and SCK is ignored.

In order to shift the conversion result out of the device,  $\overline{CS}$  must first be driven LOW.  $\overline{EOC}$  is seen at the SDO pin of the device once  $\overline{CS}$  is pulled LOW.  $\overline{EOC}$  changes real time from HIGH to LOW at the completion of a conversion. This signal may be used as an interrupt for an external microcontroller. Bit 31 ( $\overline{EOC}$ ) can be captured on the first

**APPLICATIONS INFORMATION**



**Figure 3. SDI Speed/Resolution, Channel Selection, and Data Output Timing**

rising edge of SCK. Bit 30 is shifted out of the device on the first falling edge of SCK. The final data bit (Bit 0) is shifted out on the falling edge of the 31st SCK and may be latched on the rising edge of the 32nd SCK pulse. On the falling edge of the 32nd SCK pulse, SDO goes HIGH indicating the initiation of a new conversion cycle. This bit serves as EOC (Bit 31) for the next conversion cycle. Table 2 summarizes the output data format.

As long as the voltage on the IN<sup>+</sup> and IN<sup>-</sup> pins is maintained within the -0.3V to (V<sub>CC</sub> + 0.3V) absolute maximum operating range, a conversion result is generated for any differential input voltage V<sub>IN</sub> from -FS = -0.5 • V<sub>REF</sub> to +FS = 0.5 • V<sub>REF</sub>. For differential input voltages greater than

+FS, the conversion result is clamped to the value corresponding to the +FS + 1LSB. For differential input voltages below -FS, the conversion result is clamped to the value corresponding to -FS - 1LSB.

**SERIAL INTERFACE PINS**

The LTC2446/LTC2447 transmit the conversion results and receive the start of conversion command through a synchronous 3- or 4-wire interface. During the conversion and sleep states, this interface can be used to assess the converter status and during the data output state it is used to read the conversion result and program the speed, resolution and input channel.

**Table 2. LTC2446/LTC2447 Output Data Format**

Differential Input Voltage V <sub>IN</sub> *	Bit 31 EOC	Bit 30 DMY	Bit 29 SIG	Bit 28 MSB	Bit 27	Bit 26	Bit 25	...	Bit 0
V <sub>IN</sub> * ≥ 0.5 • V <sub>REF</sub> **	0	0	1	1	0	0	0	...	0
0.5 • V <sub>REF</sub> ** - 1LSB	0	0	1	0	1	1	1	...	1
0.25 • V <sub>REF</sub> **	0	0	1	0	1	0	0	...	0
0.25 • V <sub>REF</sub> ** - 1LSB	0	0	1	0	0	1	1	...	1
0	0	0	1	0	0	0	0	...	0
-1LSB	0	0	0	1	1	1	1	...	1
-0.25 • V <sub>REF</sub> **	0	0	0	1	1	0	0	...	0
-0.25 • V <sub>REF</sub> ** - 1LSB	0	0	0	1	0	1	1	...	1
-0.5 • V <sub>REF</sub> **	0	0	0	1	0	0	0	...	0
V <sub>IN</sub> * < -0.5 • V <sub>REF</sub> **	0	0	0	0	1	1	1	...	1

\*The differential input voltage V<sub>IN</sub> = IN<sup>+</sup> - IN<sup>-</sup>. \*\*The differential reference voltage V<sub>REF</sub> = REF<sup>+</sup> - REF<sup>-</sup>.

## APPLICATIONS INFORMATION

### Serial Clock Input/Output (SCK)

The serial clock signal present on SCK (Pin 38) is used to synchronize the data transfer. Each bit of data is shifted out the SDO pin on the falling edge of the serial clock.

In the Internal SCK mode of operation, the SCK pin is an output and the LTC2446/LTC2447 create their own serial clock. In the External SCK mode of operation, the SCK pin is used as input. The internal or external SCK mode is selected by tying  $\overline{\text{EXT}}$  (Pin 3) LOW for external SCK and HIGH for internal SCK.

### Serial Data Output (SDO)

The serial data output pin, SDO (Pin 37), provides the result of the last conversion as a serial bit stream (MSB first) during the data output state. In addition, the SDO pin is used as an end of conversion indicator during the conversion and sleep states.

When  $\overline{\text{CS}}$  (Pin 36) is HIGH, the SDO driver is switched to a high impedance state. This allows sharing the serial interface with other devices. If  $\overline{\text{CS}}$  is LOW during the convert or sleep state, SDO will output  $\overline{\text{EOC}}$ . If  $\overline{\text{CS}}$  is LOW during the conversion phase, the  $\overline{\text{EOC}}$  bit appears HIGH on the SDO pin. Once the conversion is complete,  $\overline{\text{EOC}}$  goes LOW. The device remains in the sleep state until the first rising edge of SCK occurs while  $\overline{\text{CS}} = \text{LOW}$ .

### Chip Select Input ( $\overline{\text{CS}}$ )

The active LOW chip select,  $\overline{\text{CS}}$  (Pin 36), is used to test the conversion status and to enable the data output transfer as described in the previous sections.

In addition, the  $\overline{\text{CS}}$  signal can be used to trigger a new conversion cycle before the entire serial data transfer has been completed. The LTC2446/LTC2447 will abort any serial data transfer in progress and start a new conversion cycle anytime a LOW-to-HIGH transition is detected at the  $\overline{\text{CS}}$  pin after the converter has entered the data output state.

### Serial Data Input (SDI)

The serial data input (SDI, Pin 34) is used to select the speed/resolution input channel and reference of the LTC2446/LTC2447. SDI is programmed by a serial input data stream under the control of SCK during the data output cycle, see Figure 3.

Initially, after powering up, the device performs a conversion with  $\text{IN}^+ = \text{CH0}$ ,  $\text{IN}^- = \text{CH1}$ ,  $\text{REF}^+ = V_{\text{REF01}}^+$ ,  $\text{REF}^- = V_{\text{REF01}}^-$ ,  $\text{OSR} = 256$  (output rate nominally 880Hz), and 1x speed mode (no Latency). Once this first conversion is complete, the device enters the sleep state and is ready to output the conversion result and receive the serial data input stream programming the speed/resolution, input channel and reference for the next conversion. At the conclusion of each conversion cycle, the device enters this state.

In order to change the speed/resolution, reference or input channel, the first 3 bits shifted into the device are 101. This is compatible with the programming sequence of the LTC2414/LTC2418/LTC2444/LTC2445/LTC2448/LTC2449. If the sequence is set to 000 or 100, the following input data is ignored (don't care) and the previously selected speed/resolution, channel and reference remain valid for the next conversion. Combinations other than 101, 100, and 000 of the 3 control bits should be avoided.

If the first 3 bits shifted into the device are 101, then the following 5 bits select the input channel/reference for the following conversion (see Table 3). The next 5 bits select the speed/resolution and mode 1x (no Latency) 2x (double output rate with one conversion latency), see Table 4. If these 5 bits are set to all 0's, the previous speed remains selected for the next conversion. This is useful in applications requiring a fixed output rate/resolution but need to change the input channel or reference. In this case, the timing and input sequence is compatible with the LTC2414/LTC2418.

When an update operation is initiated (the first 3 bits are 101) the next 5 bits are the channel/reference address. The first bit, SGL, determines if the input selection is differential (SGL = 0) or single-ended (SGL = 1). For SGL = 0, two adjacent channels can be selected to form a differential input. For SGL = 1, one of 8 channels is selected as the positive input. The negative input is COM for all single ended operations. The global  $V_{\text{REF}}$  bit (GLBL) is used to determine which reference is selected. GLBL = 0 selects the individual reference slaved to a given channel. Each set of channels has a corresponding differential input reference. If GLBL = 1, a global reference  $V_{\text{REFG}}^+/V_{\text{REFG}}^-$  is selected. The global reference input may be used for any input channel selected. Table 3 shows a summary of input/reference selection. The remaining bits (ODD, A1, A0) determine which channel is selected.

# APPLICATIONS INFORMATION

Table 3. Channel Selection for the LTC2446/LTC2447

MUX ADDRESS				CHANNEL INPUT									REFERENCE INPUT									
SGL	ODD/ SIGN	GLBL	A1 A0	0	1	2	3	4	5	6	7	COM	01+	01-	23+	23-	45+	45-	67+	67-	G+	G-
*	0	0	0 0 0	IN+	IN-								REF+	REF-								
	0	0	0 0 1			IN+	IN-								REF+	REF-						
	0	0	0 1 0					IN+	IN-								REF+	REF-				
	0	0	0 1 1							IN+	IN-								REF+	REF-		
	0	1	0 0 0	IN-	IN+								REF+	REF-								
	0	1	0 0 1			IN-	IN+								REF+	REF-						
	0	1	0 1 0					IN-	IN+								REF+	REF-				
	0	1	0 1 1							IN-	IN+								REF+	REF-		
	1	0	0 0 0	IN+								IN-	REF+	REF-								
	1	0	0 0 1			IN+						IN-			REF+	REF-						
	1	0	0 1 0					IN+				IN-					REF+	REF-				
	1	0	0 1 1							IN+		IN-							REF+	REF-		
	1	1	0 0 0		IN+							IN-	REF+	REF-								
	1	1	0 0 1				IN+					IN-			REF+	REF-						
	1	1	0 1 0					IN+				IN-					REF+	REF-				
	1	1	0 1 1								IN+	IN-							REF+	REF-		
	0	0	1 0 0	IN+	IN-																REF+	REF-
	0	0	1 0 1			IN+	IN-														REF+	REF-
	0	0	1 1 0					IN+	IN-												REF+	REF-
	0	0	1 1 1							IN+	IN-										REF+	REF-
	0	1	1 0 0	IN-	IN+																REF+	REF-
	0	1	1 0 1			IN-	IN+														REF+	REF-
	0	1	1 1 0					IN-	IN+												REF+	REF-
	0	1	1 1 1							IN-	IN+										REF+	REF-
	1	0	1 0 0	IN+								IN-									REF+	REF-
	1	0	1 0 1			IN+						IN-									REF+	REF-
	1	0	1 1 0					IN+				IN-									REF+	REF-
	1	0	1 1 1							IN+		IN-									REF+	REF-
	1	1	1 0 0		IN+							IN-									REF+	REF-
	1	1	1 0 1				IN+					IN-									REF+	REF-
	1	1	1 1 0					IN+				IN-									REF+	REF-
	1	1	1 1 1								IN+	IN-									REF+	REF-

\*Default at power up

## APPLICATIONS INFORMATION

Table 4. LTC2446/LTC2447 Speed/Resolution Selection

OSR3	OSR2	OSR1	OSR0	TWOX	CONVERSION RATE		RMS NOISE LTC2446	RMS NOISE LTC2447	ENOB LTC2446	ENOB LTC2447	OSR	LATENCY
					INTERNAL 9MHz CLOCK	EXTERNAL 10.24MHz CLOCK						
0	0	0	0	0	Keep Previous Speed/Resolution							
0	0	0	1	0	3.52kHz	4kHz	23 $\mu$ V	23 $\mu$ V	17	17	64	None
0	0	1	0	0	1.76kHz	2kHz	4.4 $\mu$ V	3.5 $\mu$ V	20.1	20.1	128	None
0	0	1	1	0	880Hz	1kHz	2.8 $\mu$ V	2 $\mu$ V	20.8	21.3	256	None
0	1	0	0	0	440Hz	500Hz	2 $\mu$ V	1.4 $\mu$ V	21.3	21.8	512	None
0	1	0	1	0	220Hz	250Hz	1.4 $\mu$ V	1 $\mu$ V	21.8	22.4	1024	None
0	1	1	0	0	110Hz	125Hz	1.1 $\mu$ V	750nV	22.1	22.9	2048	None
0	1	1	1	0	55Hz	62.5Hz	720nV	510nV	22.7	23.4	4096	None
1	0	0	0	0	27.5Hz	31.25Hz	530nV	375nV	23.2	24	8192	None
1	0	0	1	0	13.75Hz	15.625Hz	350nV	250nV	23.8	24.4	16384	None
1	1	1	1	0	6.875Hz	7.8125Hz	280nV	200nV	24.1	24.6	32768	none
0	0	0	0	1	Keep Previous Speed/Resolution							
0	0	0	1	1	7.04kHz	8kHz	23 $\mu$ V	23 $\mu$ V	17	17	64	1 Cycle
0	0	1	0	1	3.52kHz	4kHz	4.4 $\mu$ V	3.5 $\mu$ V	20.1	20.1	128	1 Cycle
0	0	1	1	1	1.76kHz	2kHz	2.8 $\mu$ V	2 $\mu$ V	20.8	21.3	256	1 Cycle
0	1	0	0	1	880Hz	1kHz	2 $\mu$ V	1.4 $\mu$ V	21.3	21.8	512	1 Cycle
0	1	0	1	1	440Hz	500Hz	1.4 $\mu$ V	1 $\mu$ V	21.8	22.4	1024	1 Cycle
0	1	1	0	1	220Hz	250Hz	1.1 $\mu$ V	750nV	22.1	22.9	2048	1 Cycle
0	1	1	1	1	110Hz	125Hz	720nV	510nV	22.7	23.4	4096	1 Cycle
1	0	0	0	1	55Hz	62.5Hz	530nV	375nV	23.2	24	8192	1 Cycle
1	0	0	1	1	27.5Hz	31.25Hz	350nV	250nV	23.8	24.4	16384	1 Cycle
1	1	1	1	1	13.75Hz	15.625Hz	280nV	200nV	24.1	24.6	32768	1 Cycle

## APPLICATIONS INFORMATION

### Speed Multiplier Mode

In addition to selecting the speed/resolution, a speed multiplier mode is used to double the output rate while maintaining the selected resolution. The last bit of the 5-bit speed/resolution control word (TWOX, see Table 4) determines if the output rate is 1x (no speed increase) or 2x (double the selected speed).

While operating in the 1x mode, the device combines two internal conversions for each conversion result in order to remove the ADC offset. Every conversion cycle, the offset and offset drift are transparently calibrated greatly simplifying the user interface. The conversion result has no latency. The first conversion following a newly selected speed/resolution and/or input/reference is valid. This is identical to the operation of the LTC2440, LTC2444, LTC2445, LTC2448, LTC2449, LTC2414 and LTC2418.

While operating in the 2x mode, the device performs a running average of the last two conversion results. This automatically removes the offset and drift of the device while increasing the output rate by 2x. The resolution (noise) remains the same as the 1x mode. If a new channel/reference is selected, the conversion result is valid for all conversions after the first conversion (one cycle latency). If a new speed/resolution is selected, the first conversion result is valid but the resolution (noise) is a function of the running average. All subsequent conversion results are valid. If the mode is changed from either 1x to 2x or 2x to 1x without changing the resolution or channel, the first conversion result is valid.

If an external buffer/amplifier circuit is used for the LTC2447, the 2x mode can be used to increase the settling time of the amplifier between readings. While operating in the 2x mode, the multiplexer output (input to the external buffer/amplifier) is switched at the end of each conversion cycle. Prior to concluding the data out/in cycle, the analog multiplexer output is switched. This occurs at the end of

the conversion cycle (just prior to the data output cycle) for auto calibration. The time required to read the conversion enables more settling time for the external buffer/amplifier. The offset/offset drift of the external amplifiers are automatically removed by the converter's auto calibration sequence for both the 1x and 2x speed modes.

While operating in the 1x mode, if a new input channel/reference is selected the multiplexer is switched on the falling edge of the 14th SCK (once the complete data input word is programmed). The remaining data output sequence time can be used to allow the external buffer/amplifier to settle.

### BUSY

The BUSY output (Pin 2) is used to monitor the state of conversion, data output and sleep cycle. While the part is converting, the BUSY pin is HIGH. Once the conversion is complete, BUSY goes LOW indicating the conversion is complete and data out is ready. The part now enters the LOW power sleep state. BUSY remains LOW while data is shifted out of the device and SDI is shifted into the device. It goes HIGH at the conclusion of the data input/output cycle indicating a new conversion has begun. This rising edge may be used to flag the completion of the data read cycle.

### SERIAL INTERFACE TIMING MODES

The LTC2446/LTC2447's 3- or 4-wire interface is SPI and MICROWIRE compatible. This interface offers several flexible modes of operation. These include internal/external serial clock, 3- or 4-wire I/O, single cycle conversion and autostart. The following sections describe each of these serial interface timing modes in detail. In all these cases, the converter can use the internal oscillator ( $F_0 = \text{LOW}$ ) or an external oscillator connected to the  $F_0$  pin. Refer to Table 5 for a summary.

Table 5. LTC2446/LTC2447 Interface Timing Modes

CONFIGURATION	SCK SOURCE	CONVERSION CYCLE CONTROL	DATA OUTPUT CONTROL	CONNECTION AND WAVEFORMS
External SCK, Single Cycle Conversion	External	$\overline{\text{CS}}$ and SCK	$\overline{\text{CS}}$ and SCK	Figures 4, 5
External SCK, 3-Wire I/O	External	SCK	SCK	Figure 6
Internal SCK, Single Cycle Conversion	Internal	$\overline{\text{CS}} \downarrow$	$\overline{\text{CS}} \downarrow$	Figures 7, 8
Internal SCK, 3-Wire I/O, Continuous Conversion	Internal	Continuous	Internal	Figure 9

244671a

## APPLICATIONS INFORMATION

### External Serial Clock, Single Cycle Operation (SPI/MICROWIRE Compatible)

This timing mode uses an external serial clock to shift out the conversion result and a  $\overline{CS}$  signal to monitor and control the state of the conversion cycle, see Figure 4.

The serial clock mode is selected by the  $\overline{EXT}$  pin. To select the external serial clock mode,  $\overline{EXT}$  must be tied low.

The serial data output pin (SDO) is Hi-Z as long as  $\overline{CS}$  is HIGH. At any time during the conversion cycle,  $\overline{CS}$  may be pulled LOW in order to monitor the state of the converter. While  $\overline{CS}$  is pulled LOW,  $\overline{EOC}$  is output to the SDO pin.  $\overline{EOC} = 1$  ( $BUSY = 1$ ) while a conversion is in progress and  $\overline{EOC} = 0$  ( $BUSY = 0$ ) if the device is in the sleep state. Independent of  $\overline{CS}$ , the device automatically enters the low power sleep state once the conversion is complete.

When the device is in the sleep state ( $\overline{EOC} = 0$ ), its conversion result is held in an internal static shift register. The device remains in the sleep state until the first rising edge of SCK is seen. Data is shifted out the SDO pin on each falling edge of SCK. This enables external circuitry to latch the output on the rising edge of SCK.  $\overline{EOC}$  can be latched on the first rising edge of SCK and the last bit of the conversion result can be latched on the 32nd rising edge of SCK. On the 32nd falling edge of SCK, the device begins a new conversion. SDO goes HIGH ( $\overline{EOC} = 1$ ) and  $BUSY$  goes HIGH indicating a conversion is in progress.

At the conclusion of the data cycle,  $\overline{CS}$  may remain LOW and  $\overline{EOC}$  monitored as an end-of-conversion interrupt. Alternatively,  $\overline{CS}$  may be driven HIGH setting SDO to Hi-Z and  $BUSY$  monitored for the completion of a conversion.

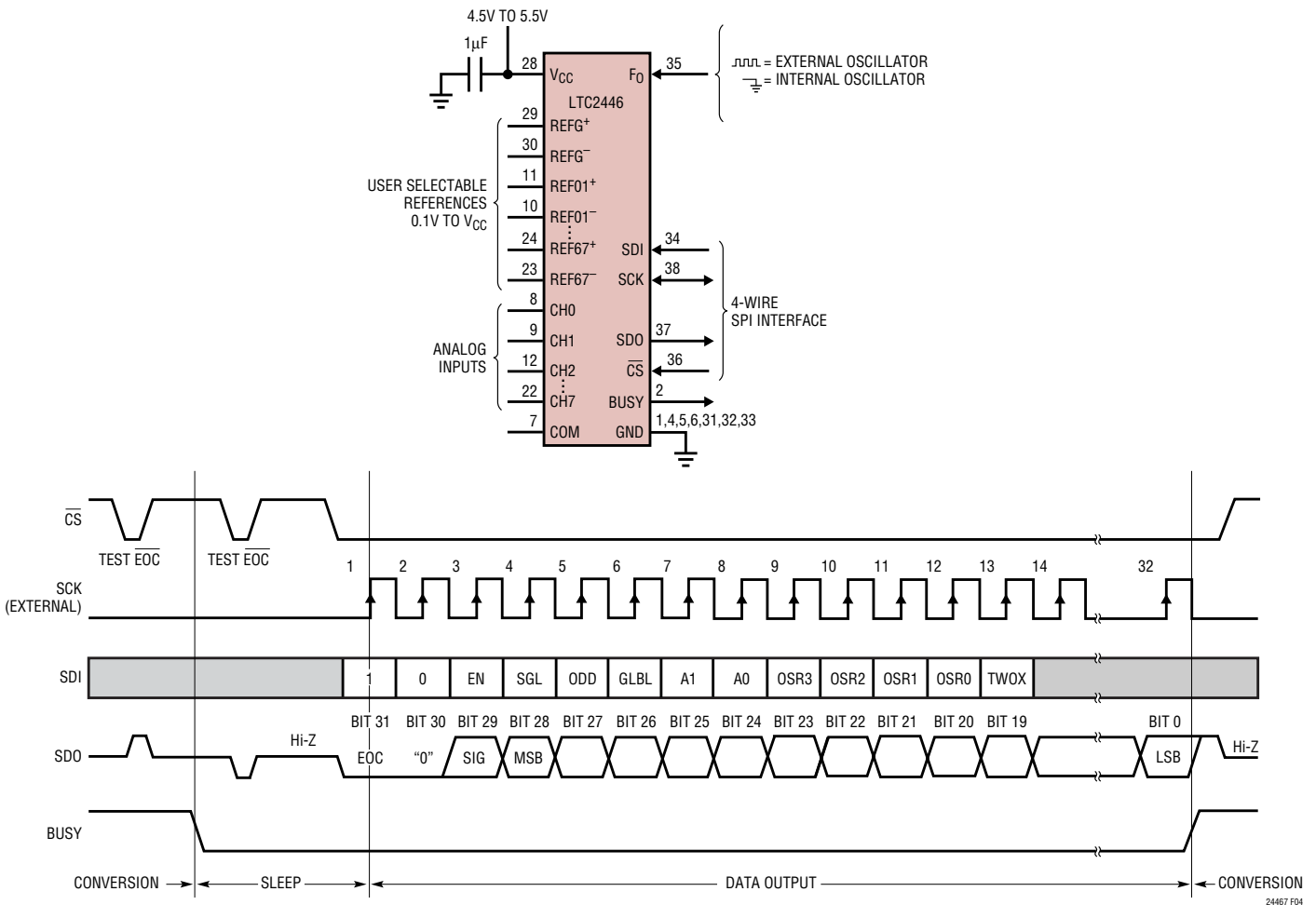


Figure 4. External Serial Clock, Single Cycle Operation

**APPLICATIONS INFORMATION**

As described above,  $\overline{CS}$  may be pulled LOW at any time in order to monitor the conversion status on the SDO pin.

Typically,  $\overline{CS}$  remains LOW during the data output state. However, the data output state may be aborted by pulling  $\overline{CS}$  HIGH anytime between the fifth falling edge and the 32nd falling edge of SCK, see Figure 5. On the rising edge of  $\overline{CS}$ , the device aborts the data output state and immediately initiates a new conversion. Thirteen serial input data bits are required in order to properly program the speed/resolution and input/reference channel. If the data

output sequence is aborted prior to the 13th rising edge of SCK, the new input data is ignored, and the previously selected speed/resolution and channel are used for the next conversion cycle. This is useful for systems not requiring all 32 bits of output data, aborting an invalid conversion cycle or synchronizing the start of a conversion. If a new channel is being programmed, the rising edge of  $\overline{CS}$  must come after the 14th falling edge of SCK in order to store the data input sequence.

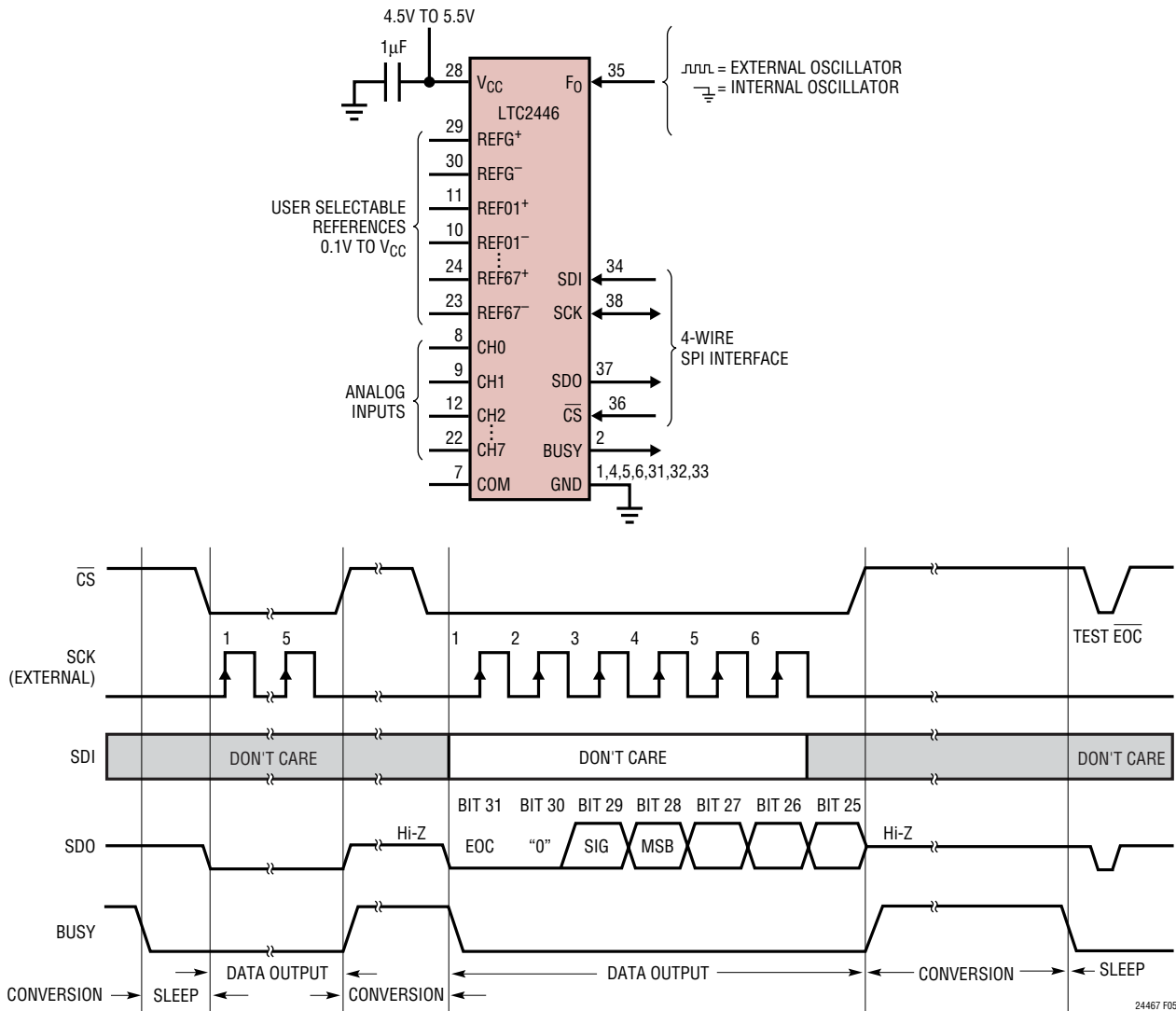


Figure 5. External Serial Clock, Reduced Output Data Length



## APPLICATIONS INFORMATION

### External Serial Clock, 3-Wire I/O

This timing mode utilizes a 3-wire serial I/O interface. The conversion result is shifted out of the device by an externally generated serial clock (SCK) signal, see Figure 6.  $\overline{CS}$  may be permanently tied to ground, simplifying the user interface or isolation barrier. The external serial clock mode is selected by tying  $\overline{EXT}$  LOW.

Since  $\overline{CS}$  is tied LOW, the end-of-conversion ( $\overline{EOC}$ ) can be continuously monitored at the SDO pin during the convert and sleep states. Conversely, BUSY (Pin 2) may be used to monitor the status of the conversion cycle.  $\overline{EOC}$  or BUSY may be used as an interrupt to an external controller

indicating the conversion result is ready.  $\overline{EOC} = 1$  (BUSY = 1) while the conversion is in progress and  $\overline{EOC} = 0$  (BUSY = 0) once the conversion enters the low power sleep state. On the falling edge of  $\overline{EOC}$ /BUSY, the conversion result is loaded into an internal static shift register. The device remains in the sleep state until the first rising edge of SCK. Data is shifted out the SDO pin on each falling edge of SCK enabling external circuitry to latch data on the rising edge of SCK.  $\overline{EOC}$  can be latched on the first rising edge of SCK. On the 32nd falling edge of SCK, SDO and BUSY go HIGH ( $\overline{EOC} = 1$ ) indicating a new conversion has begun.

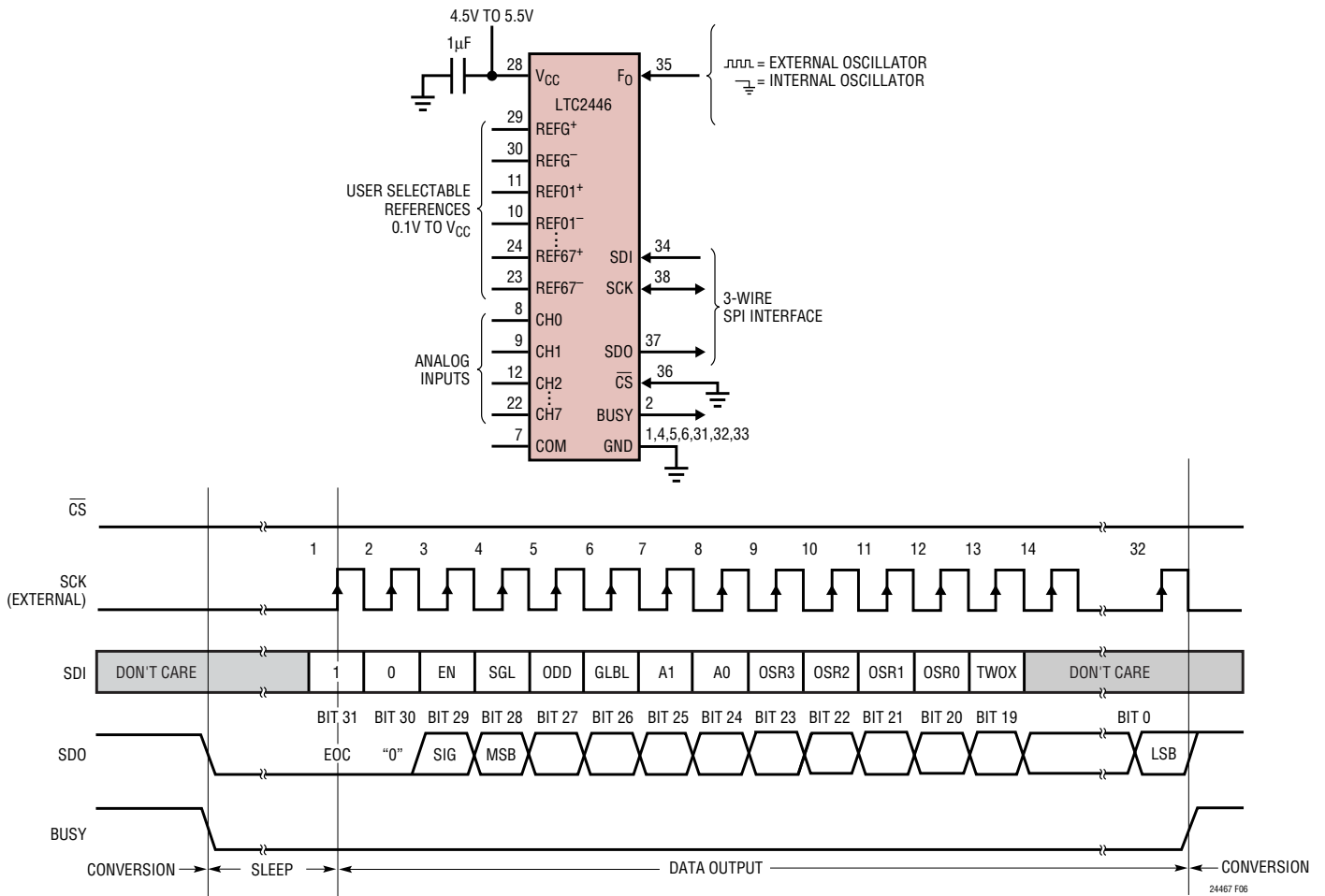


Figure 6. External Serial Clock,  $\overline{CS} = 0$  Operation (3-Wire)

## APPLICATIONS INFORMATION

### Internal Serial Clock, Single Cycle Operation

This timing mode uses an internal serial clock to shift out the conversion result and a  $\overline{CS}$  signal to monitor and control the state of the conversion cycle, see Figure 7.

In order to select the internal serial clock timing mode, the  $\overline{EXT}$  pin must be tied HIGH.

The serial data output pin (SDO) is Hi-Z as long as  $\overline{CS}$  is HIGH. At any time during the conversion cycle,  $\overline{CS}$  may be pulled LOW in order to monitor the state of the converter. Once  $\overline{CS}$  is pulled LOW, SCK goes LOW and EOC is output to the SDO pin.  $\overline{EOC} = 1$  while a conversion is in progress and  $\overline{EOC} = 0$  if the device is in the sleep state. Alternatively, BUSY (Pin 2) may be used to monitor the status of the conversion in progress. BUSY is HIGH during the conver-

sion and goes LOW at the conclusion. It remains LOW until the result is read from the device.

When testing  $\overline{EOC}$ , if the conversion is complete ( $\overline{EOC} = 0$ ), the device will exit the sleep state and enter the data output state if  $\overline{CS}$  remains LOW. In order to prevent the device from exiting the low power sleep state,  $\overline{CS}$  must be pulled HIGH before the first rising edge of SCK. In the internal SCK timing mode, SCK goes HIGH and the device begins outputting data at time  $t_{EOCtest}$  after the falling edge of  $\overline{CS}$  (if  $\overline{EOC} = 0$ ) or  $t_{EOCtest}$  after  $\overline{EOC}$  goes LOW (if  $\overline{CS}$  is LOW during the falling edge of  $\overline{EOC}$ ). The value of  $t_{EOCtest}$  is 500ns. If  $\overline{CS}$  is pulled HIGH before time  $t_{EOCtest}$ , the device remains in the sleep state. The conversion result is held in the internal static shift register.

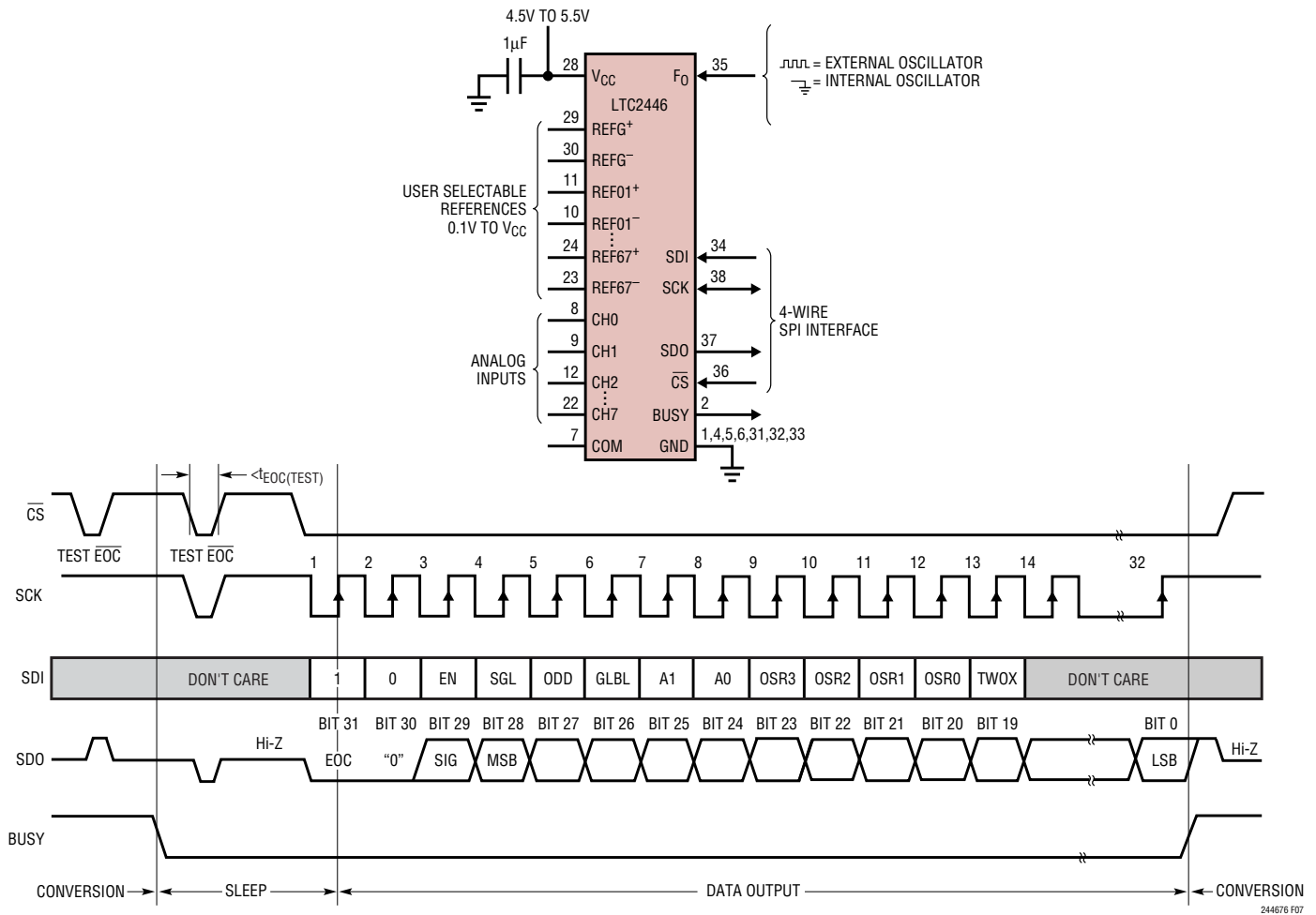


Figure 7. Internal Serial Clock, Single Cycle Operation

## APPLICATIONS INFORMATION

If  $\overline{CS}$  remains LOW longer than  $t_{EOCtest}$ , the first rising edge of SCK will occur and the conversion result is serially shifted out of the SDO pin. The data output cycle begins on this first rising edge of SCK and concludes after the 32nd rising edge. Data is shifted out the SDO pin on each falling edge of SCK. The internally generated serial clock is output to the SCK pin. This signal may be used to shift the conversion result into external circuitry.  $\overline{EOC}$  can be latched on the first rising edge of SCK and the last bit of the conversion result on the 32nd rising edge of SCK. After the 32nd rising edge, SDO goes HIGH ( $\overline{EOC} = 1$ ), SCK stays HIGH and a new conversion starts.

Typically,  $\overline{CS}$  remains LOW during the data output state. However, the data output state may be aborted by pulling  $\overline{CS}$  HIGH anytime between the first and 32nd rising edge

of SCK, see Figure 8. On the rising edge of  $\overline{CS}$ , the device aborts the data output state and immediately initiates a new conversion. This is useful for systems not requiring all 32 bits of output data, aborting an invalid conversion cycle, or synchronizing the start of a conversion. Thirteen serial input data bits are required in order to properly program the speed/resolution and input channel. If the data output sequence is aborted prior to the 13th rising edge of SCK, the new input data is ignored, and the previously selected speed/resolution and channel are used for the next conversion cycle. If a new channel is being programmed, the rising edge of  $\overline{CS}$  must come after the 14th falling edge of SCK in order to store the data input sequence.

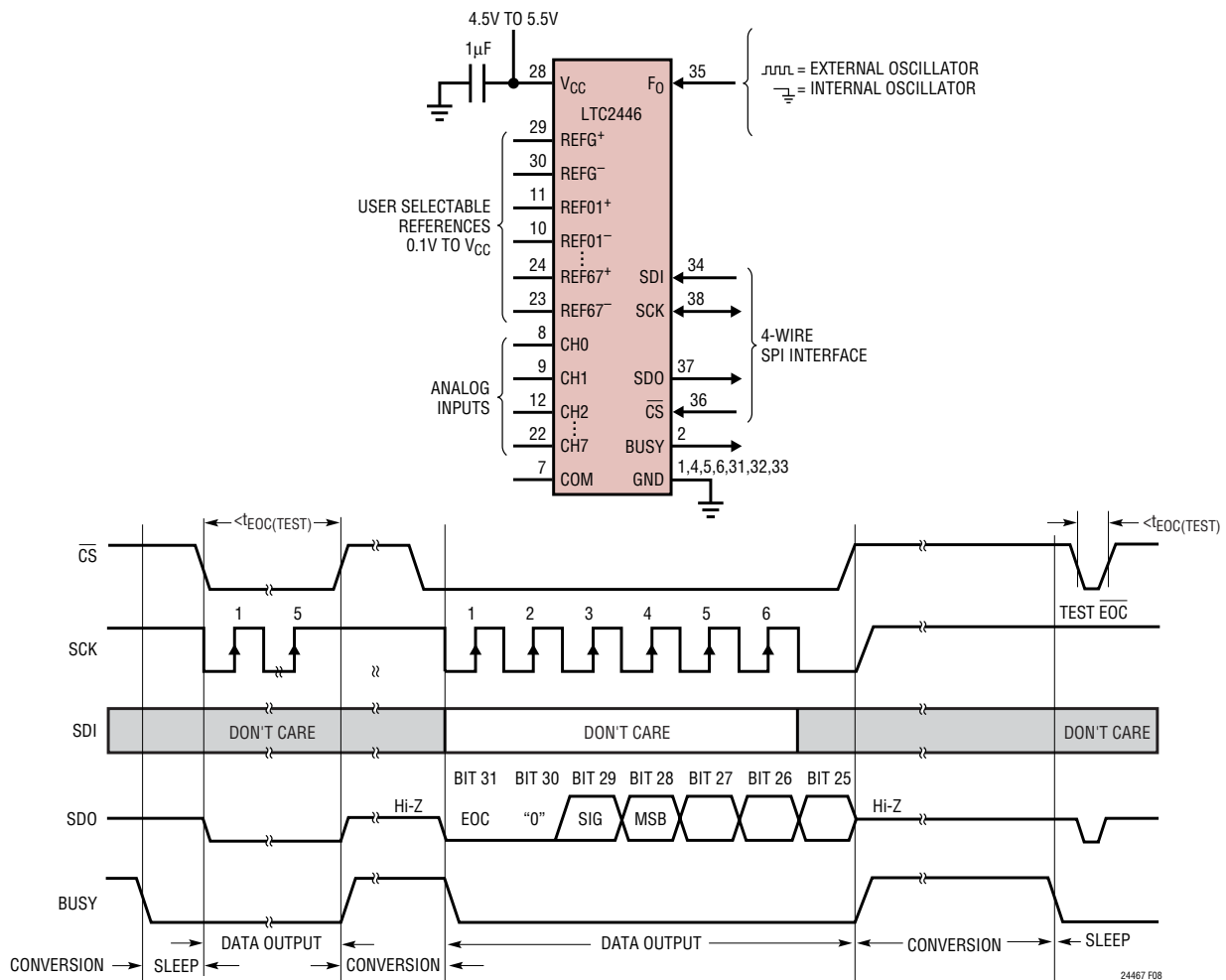


Figure 8. Internal Serial Clock, Reduced Data Output Length

## APPLICATIONS INFORMATION

### Internal Serial Clock, 3-Wire I/O, Continuous Conversion

This timing mode uses a 3-wire, all output (SCK and SDO) interface. The conversion result is shifted out of the device by an internally generated serial clock (SCK) signal, see Figure 9.  $\overline{CS}$  may be permanently tied to ground, simplifying the user interface or isolation barrier. The internal serial clock mode is selected by tying  $\overline{EXT}$  HIGH.

During the conversion, the SCK and the serial data output pin (SDO) are HIGH ( $\overline{EOC} = 1$ ) and  $BUSY = 1$ . Once the conversion is complete, SCK,  $BUSY$  and SDO go LOW ( $\overline{EOC} = 0$ ) indicating the conversion has finished and the

device has entered the low power sleep state. The part remains in the sleep state a minimum amount of time ( $\approx 500\text{ns}$ ) then immediately begins outputting data. The data output cycle begins on the first rising edge of SCK and ends after the 32nd rising edge. Data is shifted out the SDO pin on each falling edge of SCK. The internally generated serial clock is output to the SCK pin. This signal may be used to shift the conversion result into external circuitry.  $\overline{EOC}$  can be latched on the first rising edge of SCK and the last bit of the conversion result can be latched on the 32nd rising edge of SCK. After the 32nd rising edge, SDO goes HIGH ( $\overline{EOC} = 1$ ) indicating a new conversion is in progress. SCK remains HIGH during the conversion.

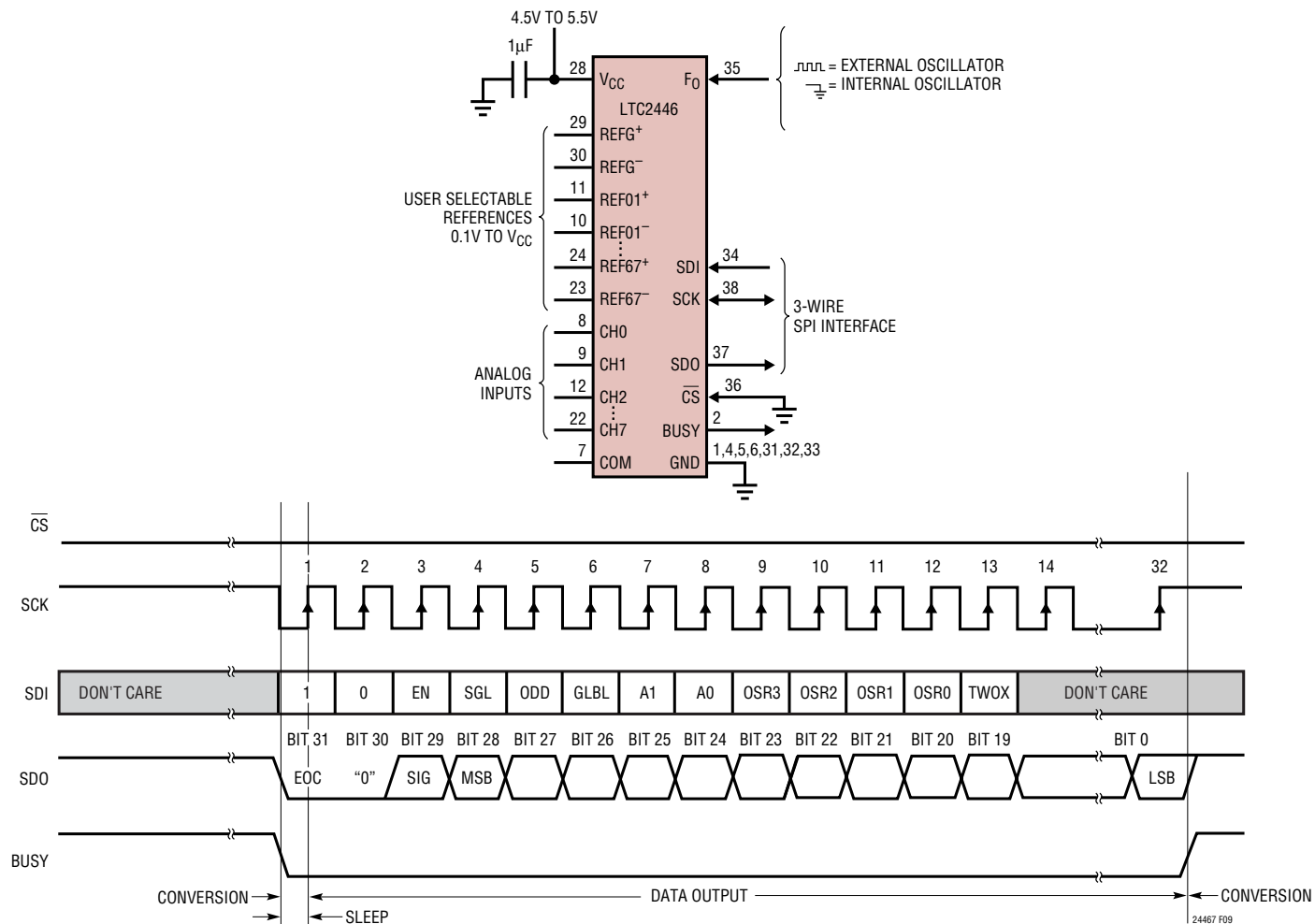


Figure 9. Internal Serial Clock, Continuous Operation

## APPLICATIONS INFORMATION

### Normal Mode Rejection and Antialiasing

One of the advantages delta-sigma ADCs offer over conventional ADCs is on-chip digital filtering. Combined with a large oversampling ratio, the LTC2446/LTC2447 significantly simplify antialiasing filter requirements.

The LTC2446/LTC2447's speed/resolution is determined by the over sample ratio (OSR) of the on-chip digital filter. The OSR ranges from 64 for 3.5kHz output rate to 32,768 for 6.9Hz (in 1x mode) output rate. The value of OSR and the sample rate  $f_S$  determine the filter characteristics of the device. The first NULL of the digital filter is at  $f_N$  and multiples of  $f_N$  where  $f_N = f_S/OSR$ , see Figure 10 and Table 6. The rejection at the frequency  $f_N \pm 14\%$  is better than 80dB, see Figure 11.

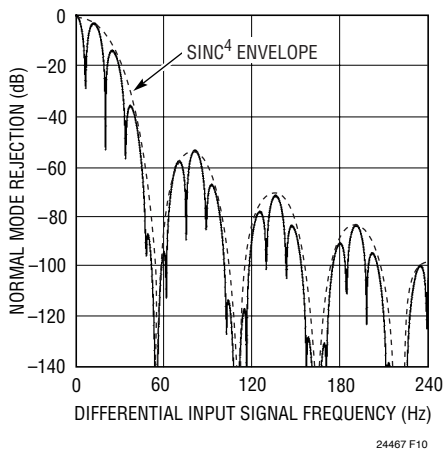


Figure 10. LTC2446/LTC2447 Normal Mode Rejection (Internal Oscillator)

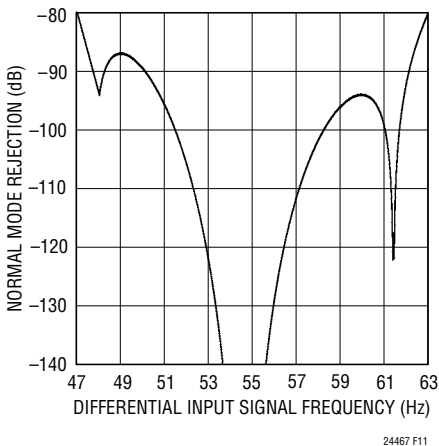


Figure 11. LTC2446/LTC2447 Normal Mode Rejection (Internal Oscillator)

Table 6. OSR vs Notch Frequency ( $f_N$ ) (with Internal Oscillator Running at 9MHz)

OSR	NOTCH ( $f_N$ )
64	28.16kHz
128	14.08kHz
256	7.04kHz
512	3.52kHz
1024	1.76kHz
2048	880Hz
4096	440Hz
8192	220Hz
16384	110Hz
32768*	55Hz

\*Simultaneous 50/60Hz rejection

If  $F_0$  is grounded,  $f_S$  is set by the on-chip oscillator at  $1.8\text{MHz} \pm 5\%$  (over supply and temperature variations). At an OSR of 32,768, the first NULL is at  $f_N = 55\text{Hz}$  and the no latency output rate is  $f_N/8 = 6.9\text{Hz}$ . At the maximum OSR, the noise performance of the device is  $280\text{nV}_{\text{RMS}}$  (LTC2446) and  $200\text{nV}_{\text{RMS}}$  (LTC2447) with better than 80dB rejection of  $50\text{Hz} \pm 2\%$  and  $60\text{Hz} \pm 2\%$ . Since the OSR is large (32,768) the wide band rejection is extremely large and the antialiasing requirements are simple. The first multiple of  $f_S$  occurs at  $55\text{Hz} \cdot 32,768 = 1.8\text{MHz}$ , see Figure 12.

The first NULL becomes  $f_N = 7.04\text{kHz}$  with an OSR of 256 (an output rate of 880Hz) and  $F_0$  grounded. While the NULL has shifted, the sample rate remains constant. As a result of constant modulator sampling rate, the linearity,

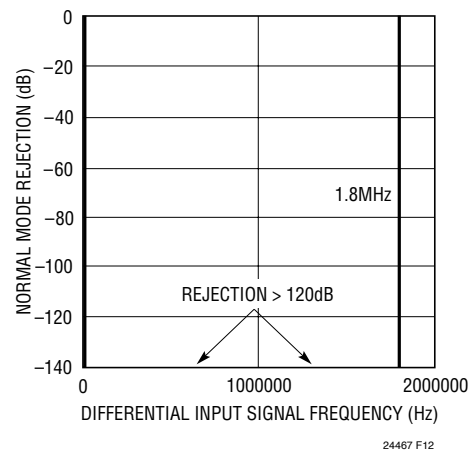
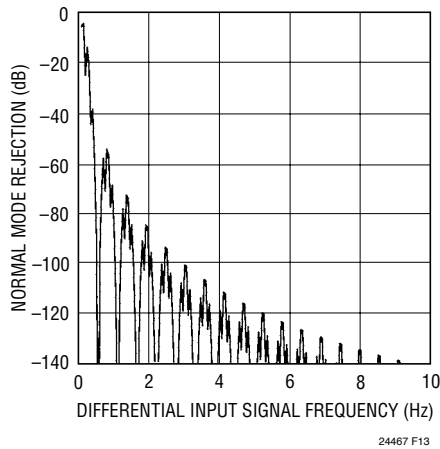


Figure 12. LTC2446/LTC2447 Normal Mode Rejection (Internal Oscillator)

## APPLICATIONS INFORMATION

offset and full-scale performance remain unchanged as does the first multiple of  $f_S$ .

The sample rate  $f_S$  and NULL  $f_N$ , may also be adjusted by driving the  $F_0$  pin with an external oscillator. The sample rate is  $f_S = f_{EOSC}/5$ , where  $f_{EOSC}$  is the frequency of the clock applied to  $F_0$ . Combining a large OSR with a reduced sample rate leads to notch frequencies  $f_N$  near DC while maintaining simple antialiasing requirements. A 100kHz clock applied to  $F_0$  results in a NULL at 0.6Hz plus all harmonics up to 20kHz, see Figure 13. This is useful in applications requiring digitalization of the DC component of a noisy input signal and eliminates the need of placing a 0.6Hz filter in front of the ADC.



**Figure 13. LTC2446/LTC2447 Normal Mode Rejection (External Oscillator at 90kHz)**

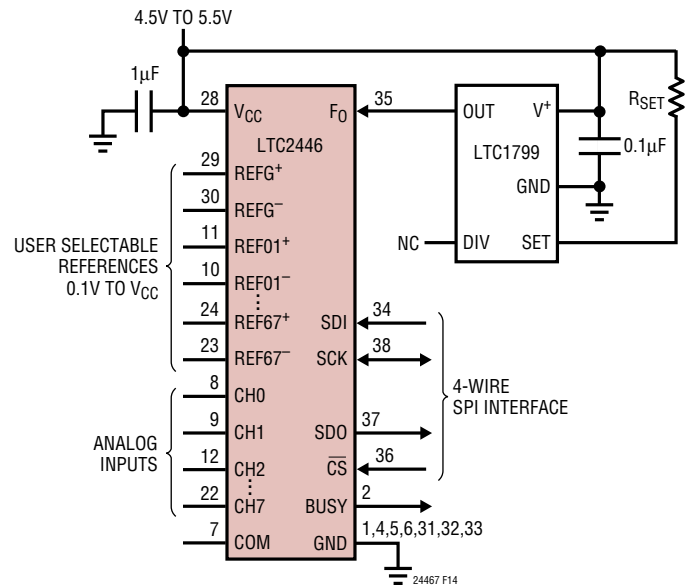
An external oscillator operating from 100kHz to 20MHz can be implemented using the LTC1799 (resistor set SOT-23 oscillator), see Figure 14. By floating pin 4 (DIV) of the LTC1799, the output oscillator frequency is:

$$f_{OSC} = 10\text{MHz} \cdot \left( \frac{10\text{k}}{10 \cdot R_{SET}} \right)$$

The normal mode rejection characteristic shown in Figure 13 is achieved by applying the output of the LTC1799 (with  $R_{SET} = 100\text{k}$ ) to the  $F_0$  pin on the LTC2446/LTC2447 with SDI tied HIGH (OSR = 32768).

### Multiple Ratiometric and Absolute Measurements

The LTC2446/LTC2447 combine a high precision, high speed delta-sigma converter with a versatile front-end



**Figure 14. Simple External Clock Source**

multiplexer. The unique no latency architecture allows seamless changes in both input channel and reference while the absolute accuracy ensures excellent matching between both analog input channels and reference channels. Any set of inputs (differential or single-ended) can perform a conversion with one of two references. For Bridges, RTDs and other ratiometric devices, each set of channels can perform a conversion with respect to a unique reference voltage. For Thermocouples, voltage sense, current sense and other absolute sensors, each set of channels can perform a conversion with respect to a single global reference voltage (see Figure 15). This allows users to measure both multiple absolute and multiple ratio metric sensors with the same device in such applications as flow, gas chromatography, multiple RTDs or bridges, or universal data acquisition.

### Average Input Current

The LTC2446 switches the input and reference to a 2pF capacitor at a frequency of 1.8MHz. A simplified equivalent circuit is shown in Figure 16. The sample capacitor for the LTC2447 is 4pF, and its average input current is externally buffered from the input source.

The average input and reference currents can be expressed in terms of the equivalent input resistance of the sample capacitor, where:  $R_{eq} = 1/(f_{SW} \cdot C_{eq})$ .

APPLICATIONS INFORMATION

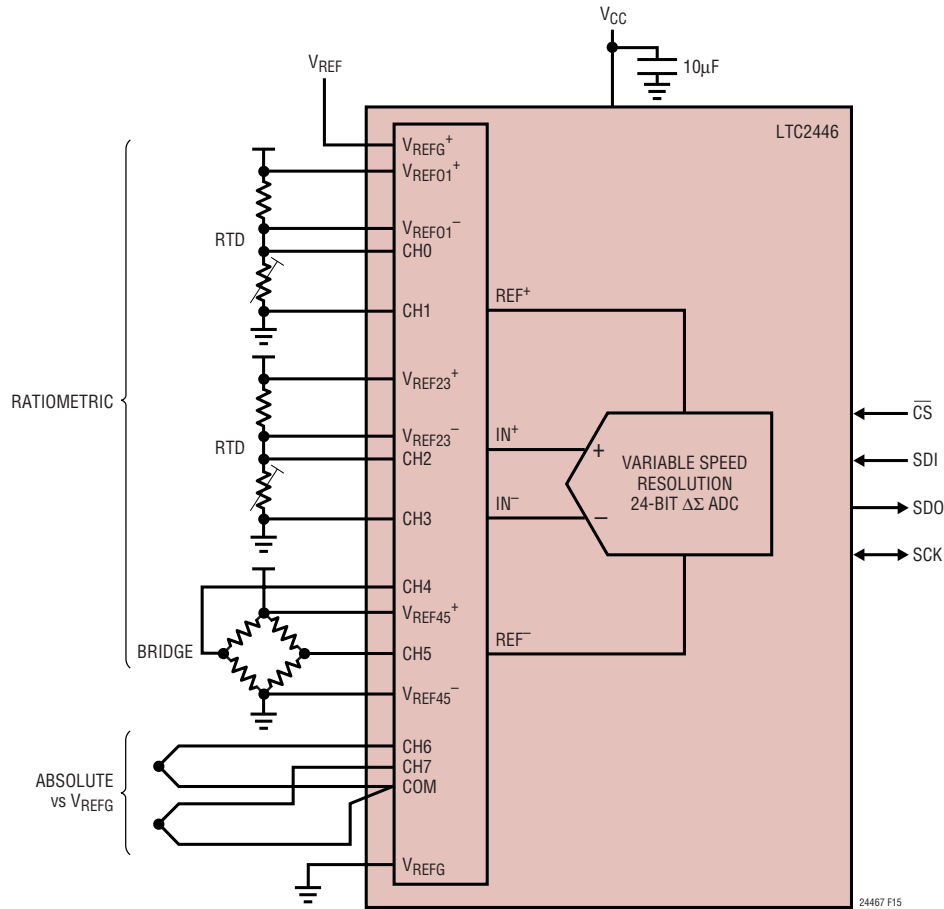


Figure 15. Versatile 4-Way Multiplexer Measures Multiple Ratiometric/Absolute Sensors

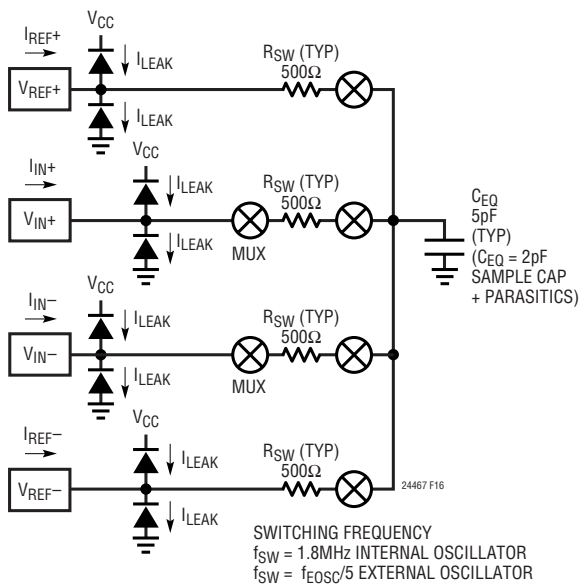


Figure 16. LTC2446 Input Structure

When using the internal oscillator,  $f_{SW}$  is 1.8MHz and the equivalent resistance is approximately 110k $\Omega$ .

**Input Bandwidth and Frequency Rejection**

The combined effect of the internal SINC<sup>4</sup> digital filter and the digital and analog autocalibration circuits determines the LTC2446/LTC2447 input bandwidth and rejection characteristics. The digital filter's response can be adjusted by setting the oversample ratio (OSR) through the SPI interface or by supplying an external conversion clock to the  $f_0$  pin.

Table 7 lists the properties of the LTC2446/LTC2447 with various combinations of oversample ratio and clock frequency. Understanding these properties is the key to fine tuning the characteristics of the LTC2446/LTC2447 to the application.

## APPLICATIONS INFORMATION

Table 7. Performance vs Over-Sample Ratio

OVER-SAMPLE RATIO (OSR)	*RMS NOISE LTC2446	*RMS NOISE LTC2447	ENOB (V <sub>REF</sub> = 5V) LTC2446   LTC2447		MAXIMUM CONVERSION RATE		FIRST NOTCH FREQUENCY		EFFECTIVE NOISE BW		-3dB POINT (Hz)	
					INTERNAL 9MHz CLOCK	EXTERNAL f <sub>0</sub>	INTERNAL 9MHz CLOCK	EXTERNAL f <sub>0</sub>	INTERNAL 9MHz CLOCK	INTERNAL EXTERNAL f <sub>0</sub>	9MHz CLOCK	EXTERNAL f <sub>0</sub>
64	23μV	23μV	17	17	3515.6	f <sub>0</sub> /2560	28125	f <sub>0</sub> /320	3148	f <sub>0</sub> /5710	1696	f <sub>0</sub> /5310
128	4.5μV	3.5μV	20.1	20	1757.8	f <sub>0</sub> /5120	14062.5	f <sub>0</sub> /640	1574	f <sub>0</sub> /2860	848	f <sub>0</sub> /10600
256	2.8μV	2μV	20.8	21.3	878.9	f <sub>0</sub> /10240	7031.3	f <sub>0</sub> /1280	787	f <sub>0</sub> /1140	424	f <sub>0</sub> /21200
512	2μV	1.4μV	21.3	21.8	439.5	f <sub>0</sub> /20480	3515.6	f <sub>0</sub> /2560	394	f <sub>0</sub> /2280	212	f <sub>0</sub> /42500
1024	1.4μV	1μV	21.8	22.4	219.7	f <sub>0</sub> /40960	1757.8	f <sub>0</sub> /5120	197	f <sub>0</sub> /4570	106	f <sub>0</sub> /84900
2048	1.1μV	750nV	22.1	22.9	109.9	f <sub>0</sub> /81920	878.9	f <sub>0</sub> /1020	98.4	f <sub>0</sub> /9140	53	f <sub>0</sub> /170000
4096	720nV	510nV	22.7	23.4	54.9	f <sub>0</sub> /163840	439.5	f <sub>0</sub> /2050	49.2	f <sub>0</sub> /18300	26.5	f <sub>0</sub> /340000
8192	530nV	375nV	23.2	24	27.5	f <sub>0</sub> /327680	219.7	f <sub>0</sub> /4100	24.6	f <sub>0</sub> /36600	13.2	f <sub>0</sub> /679000
16384	350nV	250nV	23.8	24.4	13.7	f <sub>0</sub> /655360	109.9	f <sub>0</sub> /8190	12.4	f <sub>0</sub> /73100	6.6	f <sub>0</sub> /1358000
32768	280nV	200nV	24.1	24.6	6.9	f <sub>0</sub> /1310720	54.9	f <sub>0</sub> /16380	6.2	f <sub>0</sub> /146300	3.3	f <sub>0</sub> /2717000

\*ADC noise increases by approximately  $\sqrt{2}$  when OSR is decreased by a factor of 2 for OSR 32768 to OSR 256. The ADC noise at OSR 128 and OSR 64 include effects from internal modulator quantization noise.

### Maximum Conversion Rate

The maximum conversion rate is the fastest possible rate at which conversions can be performed.

### First Notch Frequency

This is the first notch in the SINC<sup>4</sup> portion of the digital filter and depends on the f<sub>0</sub> clock frequency and the oversample ratio. Rejection at this frequency and its multiples (up to the modulator sample rate of 1.8MHz) exceeds 120dB. This is 8 times the maximum conversion rate.

### Effective Noise Bandwidth

The LTC2446/LTC2447 has extremely good input noise rejection from the first notch frequency all the way out to the modulator sample rate (typically 1.8MHz). Effective noise bandwidth is a measure of how the ADC will reject wideband input noise up to the modulator sample rate. The example on the following page shows how the noise rejection of the LTC2446/LTC2447 reduces the effective noise of an amplifier driving its input.

Example:

If an amplifier (e.g. LT1219) driving the input of an LTC2446/LTC2447 has wideband noise of 33nV/√Hz, band-limited to 1.8MHz, the total noise entering the ADC input is:

$$33\text{nV}/\sqrt{\text{Hz}} \cdot \sqrt{1.8\text{MHz}} = 44.3\mu\text{V}.$$

When the ADC digitizes the input, its digital filter rejects the wideband noise from the input signal. The noise reduction depends on the oversample ratio which defines the effective bandwidth of the digital filter.

At an oversample of 256, the noise bandwidth of the ADC is 787Hz which reduces the total amplifier noise to:

$$33\text{nV}/\sqrt{\text{Hz}} \cdot \sqrt{787\text{Hz}} = 0.93\mu\text{V}.$$

The total noise is the RMS sum of this noise with the 2μV noise of the ADC at OSR=256.

$$\sqrt{(0.93\mu\text{V})^2 + (2\mu\text{V})^2} = 2.2\mu\text{V}.$$

Increasing the oversample ratio to 32768 reduces the noise bandwidth of the ADC to 6.2Hz which reduces the total amplifier noise to:

$$33\text{nV}/\sqrt{\text{Hz}} \cdot \sqrt{6.2\text{Hz}} = 82\text{nV}.$$

The total noise is the RMS sum of this noise with the 200nV noise of the ADC at OSR = 32768.

$$\sqrt{(82\text{nV})^2 + (200\text{nV})^2} = 216\text{nV}.$$

In this way, the digital filter with its variable oversampling ratio can greatly reduce the effects of external noise sources.



## APPLICATIONS INFORMATION

### Automatic Offset Calibration of External Buffers/Amplifiers

The LTC2447 enables an external amplifier to be inserted between the multiplexer output and the ADC input. This enables one external buffer/amplifier circuit to be shared between all nine analog inputs (eight single-ended or four differential). The LTC2447 performs an internal offset calibration every conversion cycle in order to remove the offset and drift of the ADC. This calibration is performed through a combination of front end switching and digital processing. Since the external amplifier is placed between the multiplexer and the ADC, it is inside the correction loop. This results in automatic offset correction and offset drift removal of the external amplifier.

The LT1368 is an excellent amplifier for this function. It has rail-to-rail inputs and outputs, and it operates on a single 5V supply. Its open-loop gain is 1M and its input bias current is 10nA. It also requires at least a 0.1 $\mu$ F load capacitor for compensation. It is this feature that sets it apart from other amplifiers—the load capacitor

attenuates sampling glitches from the LTC2447 ADCIN terminal, allowing it to achieve full performance of the ADC with high impedance at the multiplexer inputs.

Another benefit of the LT1368 is that it can be powered from supplies equal to or greater than that of the ADC. This can allow the inputs to span the entire absolute maximum of GND – 0.3V to  $V_{CC} + 0.3V$ . Using a positive supply of 7.5V to 10V and a negative supply of –2.5 to –5V gives the amplifier plenty of headroom over the LTC2447 input range.

### Interfacing Sensors to the LTC2447

Figure 18 shows a few of the ways that the multiple reference inputs of the LTC2447 greatly simplify sensor interfacing. Each of the four references is fully differential and has a differential range of 100mV to 5V. This opens up many possibilities for sensing voltages and currents, eliminating much of the analog signal conditioning circuitry required for interfacing to conventional ADCs.

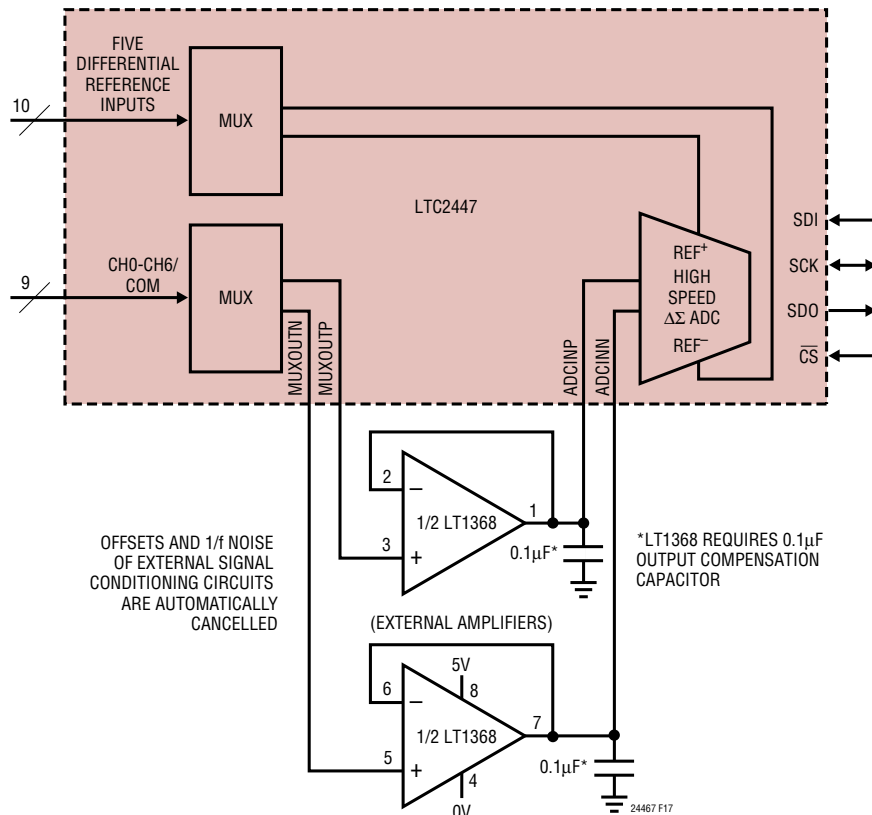


Figure 17. External Buffers Provide High Impedance Inputs and Amplifier Offsets are Cancelled

244671a

## APPLICATIONS INFORMATION

Figure 18a is a standard 350 $\Omega$ , voltage excited strain gauge with sense wires for the excitation voltage. REF01<sup>+</sup> and REF01<sup>-</sup> sense the excitation voltage at the gauge, compensating for voltage drop along the high current excitation supply wires. This can be a significant error, as the excitation current is 14mA when excited with 5V. Reference loading capacitors at the ADC are necessary to average the reference current during sampling. Both ADC inputs are always close to mid-reference, and hence close to mid-supply when using 5V excitation.

Figure 18b is a novel way to interface the LTC2447 to a bridge that is specified for constant current excitation. The Fujikura FPM-120PG is a 120psig pressure sensor that is not trimmed for absolute accuracy, but is temperature compensated for low drift when excited by a constant current source. The LTC2447's fully differential reference allows sensing the excitation current with a resistor in series with the bridge excitation. Changes in ambient temperature and supply voltage will cause the current to vary, but the LTC2447 compensates by using the current sense voltage as its reference. The input common mode will be slightly higher than mid-reference, but still far enough away from the positive supply to eliminate concerns about the buffer amplifier's headroom.

Figure 18c is an Omega 44018 linear output thermistor. Two fixed resistors linearize the output from the thermistors. The recommended 5700 $\Omega$  series resistor is broken up into two 2850 $\Omega$  resistors to give a differential output centered around mid-reference. This ensures that the buffer amplifiers have enough headroom at the negative supply. Note that the excitation is 3V, the maximum recommended by the manufacturer to prevent self-heating errors. The LTC2447 senses this reference voltage.

Figure 18d shows a standard 100 $\Omega$  platinum RTD. This circuit shows how to use the LTC2447 to make a direct resistance measurement, where the output code is the RTD resistance divided by the reference resistance. A 500 $\Omega$  sense resistor allows measurement of resistance up to 250 $\Omega$ . (A standard  $\alpha = 0.00385$  RTD has a resistance of 247.09 $\Omega$  at 400°C.)

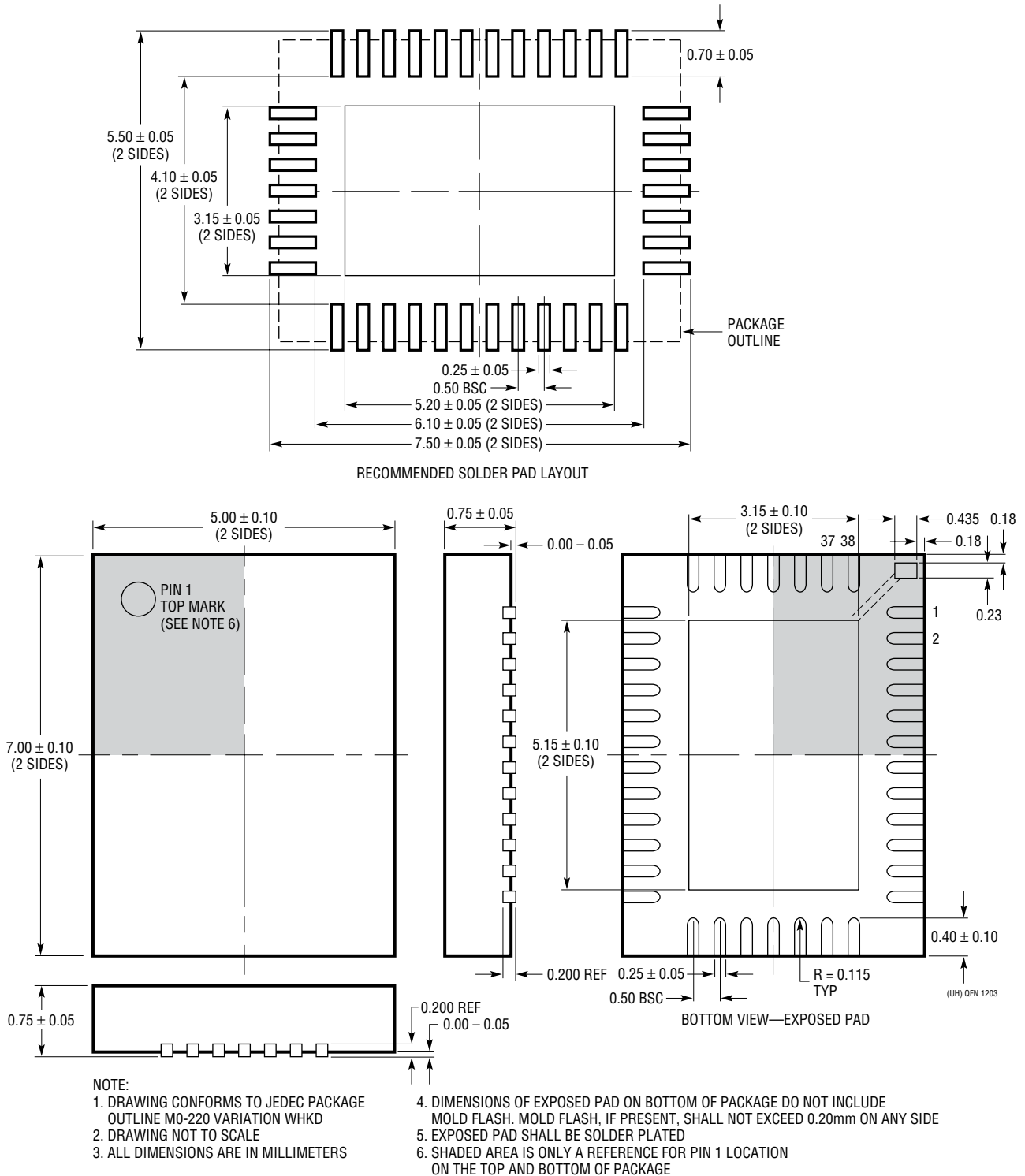
The LTC2446 multiplexes rail-to-rail inputs directly to the ADC modulator and is suitable for low impedance resistive sources such as 100 $\Omega$  RTDs and 350 $\Omega$  strain gauges that are located close to the ADC. In applications where the source resistance is high or the source is located more than 5cm to 10cm from the ADC, the LTC2447 (with an LT1368 buffer) is appropriate. The LTC2447 automatically removes offset, drift and 1/f noise of the LT<sup>®</sup>1368. One consideration for single supply applications is that both ADC inputs should always be at least 100mV from the LT1368's supply rails. All of the applications shown in Figure 18 are designed to keep both analog inputs far enough away from ground and V<sub>CC</sub> so that the LT1368 can operate on the same 5V supply as the LTC2447. Although the LT1368 has rail-to-rail inputs and outputs, these amplifiers still need some degree of headroom to work at the resolution level of the LTC2447. For input signals running rail-to-rail, the supply voltage of the LT1368 can be increased in order to provide the extra headroom.

The LTC2446/LTC2447 reference have no such limitations—they are truly rail-to-rail, and will even operate up to 300mV outside the supply rails. Reference terminals may be connected directly to the ground plane or to a reference voltage that is decoupled to the ground plane with a 1 $\mu$ F or larger capacitor without any degradation of performance provided the connection is less than 5cm from the LTC2446/LTC2447. If the reference terminals are sensing a point more than 5cm to 10cm away from the ADC, the reference pins should be decoupled to the ground plane with 1 $\mu$ F capacitors.

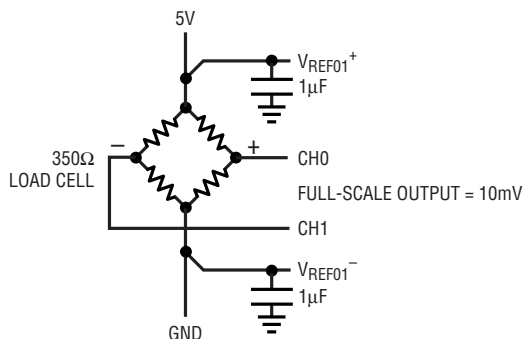
The reference terminals can also sense a resistive source with a resistance up to 500 $\Omega$  located close to the LTC2446/LTC2447, however parasitic capacitance must be kept to a minimum. If the sense point is more than 5cm from the ADC, then it should be buffered. The LT1368 is also an outstanding reference buffer. While offsets are not cancelled as in the ADC input circuit, the 200mV offset and 2mV/°C drift will not degrade the performance of most sensors. The LT1369 is a quad version of the LT1368, and can serve as the input buffer for an LTC2447 and two reference buffers.

# PACKAGE DESCRIPTION

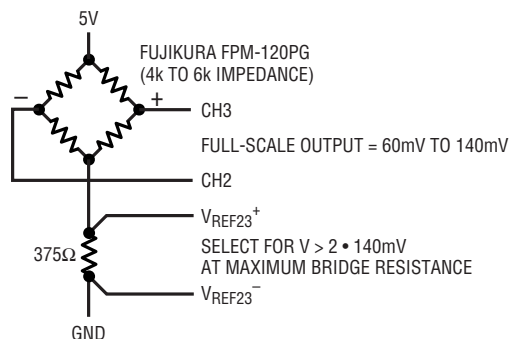
## UHF Package 38-Lead Plastic QFN (5mm × 7mm) (Reference LTC DWG # 05-08-1701)



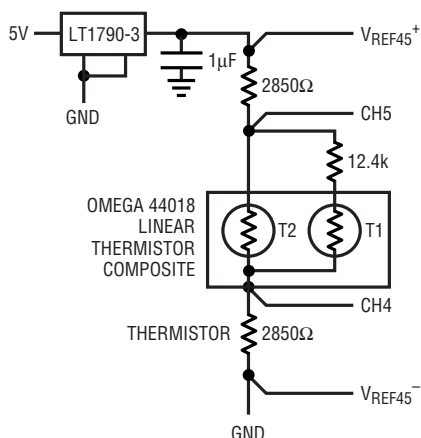
## APPLICATIONS INFORMATION



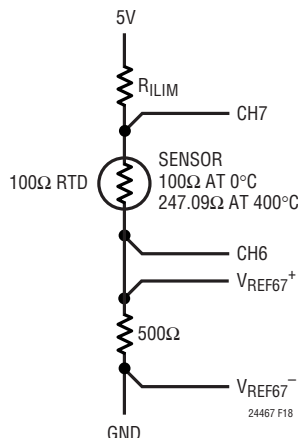
(18a) Full-Bridge, Voltage Sense



(18b) Full-Bridge, Current Sense



(18c) Half-Bridge, Voltage Sense



(18d) Half-Bridge, Current Sense

Figure 18. Muxed Inputs/References Enable Multiple Ratiometric Measurements with the Same Device

## RELATED PARTS

PART NUMBER	DESCRIPTION	COMMENTS
LT1236A-5	Precision Bandgap Reference, 5V	0.05% Max, 5ppm/°C Drift
LT1461	Micropower Series Reference, 2.5V	0.04% Max, 3ppm/°C Max Drift
LTC1799	Resistor Set SOT-23 Oscillator	Single Resistor Frequency Set
LTC2053	Rail-to-Rail Instrumentation Amplifier	10μV Offset with 50nV/°C Drift, 2.5μV <sub>p-p</sub> Noise 0.01Hz to 10Hz
LTC2412	2-Channel, Differential Input, 24-Bit, No Latency ΔΣ ADC	0.16ppm Noise, 2ppm INL, 200μA
LTC2415	1-Channel, Differential Input, 24-Bit, No Latency ΔΣ ADC	0.23ppm Noise, 2ppm INL, 2x Speedup
LTC2414/LTC2418	4-/8-Channel, Differential Input, 24-Bit, No Latency ΔΣ ADC	0.2ppm Noise, 2ppm INL, 200μA
LTC2430/LTC2431	1-Channel, Differential Input, 20-Bit, No Latency ΔΣ ADC	0.56ppm Noise, 3ppm INL, 200μA
LTC2436-1	2-Channel, Differential Input, 16-Bit, No Latency ΔΣ ADC	800nV <sub>RMS</sub> Noise, 0.12LBS INL, 0.006LBS Offset, 200μA
LTC2440	1-Channel, Differential Input, High Speed/Low Noise, 24-Bit, No Latency ΔΣ ADC	2μV <sub>RMS</sub> Noise at 880Hz, 200nV <sub>RMS</sub> Noise at 6.9Hz, 0.0005% INL, Up to 3.5kHz Output Rate
LTC2444/LTC2445 LTC2448/LTC2449	8-/16-Channel, Differential Input, High Speed/Low Noise, 24-Bit, No Latency ΔΣ ADC	2μV <sub>RMS</sub> Noise at 1.76kHz, 200nV <sub>RMS</sub> Noise at 13.8Hz, 0.0005% INL, Up to 8kHz Output Rate

244671a