

# Micropower Precision Triple Supply Monitors in 8-Lead MSOP and 5-Lead SOT-23 Packages

## FEATURES

- Monitors Three Inputs Simultaneously
  - LTC1727-5: 5V, 3.3V and ADJ
  - LTC1727-2.5: 2.5V, 3.3V and ADJ
  - LTC1728-5: 5V, 3.3V and ADJ
  - LTC1728-2.5: 2.5V, 3.3V and ADJ
  - LTC1728-1.8: 3V, 1.8V and ADJ
  - LTC1728-3.3: 3.3V, 1.8V and ADJ
- **±1.5% Threshold Accuracy Over Temperature**
- **Very Low Supply Current: 10µA Typ**
- 200ms Reset Time Delay
- Active Low RESET Output
- Power Supply Glitch Immunity
- Guaranteed RESET for  $V_{CC3} \geq 1V$  or  $V_{CC5}/V_{CC25}/V_{CC18} \geq 1V$
- **LTC1727 Includes Monitor Output for Each Supply**
- **LTC1727: 8-Lead MSOP and SO Packages**
- **LTC1728: 5-Lead SOT-23 Package**

## APPLICATIONS

- Desktop Computers
- Notebook Computers
- Intelligent Instruments
- Portable Battery-Powered Equipment
- Network Servers

## DESCRIPTION

The LTC<sup>®</sup>1727 is a triple supply monitor intended for systems with multiple supply voltages. Each supply monitor has its own open-drain output for individual supply monitoring. A common open-drain reset output remains low until all three supplies have been in compliance for 200ms. Tight 1.5% accuracy specifications and glitch immunity ensure reliable reset operation without false triggering.

The LTC1728 is functionally identical to the LTC1727 without the individual monitor outputs.

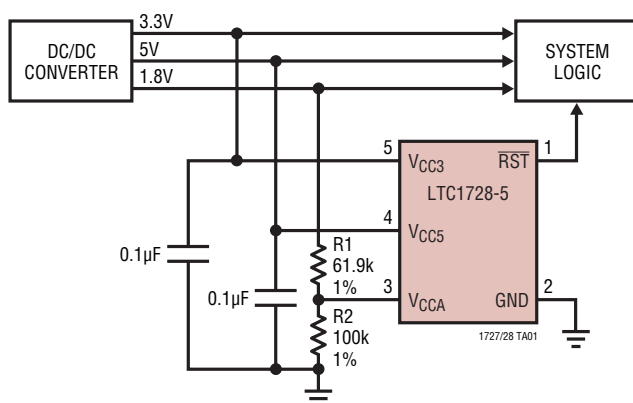
The  $\overline{RST}$  output is guaranteed to be in the correct state for  $V_{CC5}/V_{CC25}/V_{CC18}$  or  $V_{CC3}$  down to 1V. The LTC1727/LTC1728 may also be configured to monitor any one or two  $V_{CC}$  inputs instead of three, depending on system requirements.

Very low (10µA typical) supply current makes the LTC1727/LTC1728 ideal for power conscious systems.

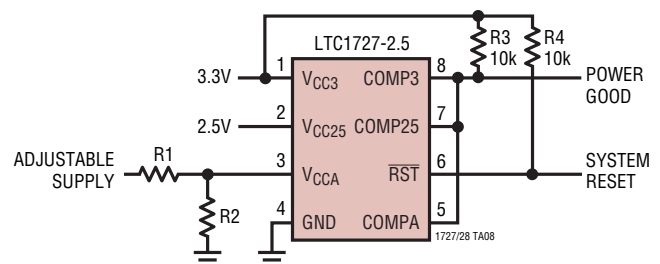
The LTC1727 is available in an 8-lead MSOP or SO package and the LTC1728 is available in a 5-lead SOT-23 package.

LT, LT, LTC and LTM are registered trademarks of Linear Technology Corporation. All other trademarks are the property of their respective owners.

## TYPICAL APPLICATION



### Triple Supply Monitor with Power Good Output (3.3V, 2.5V and Adjustable)

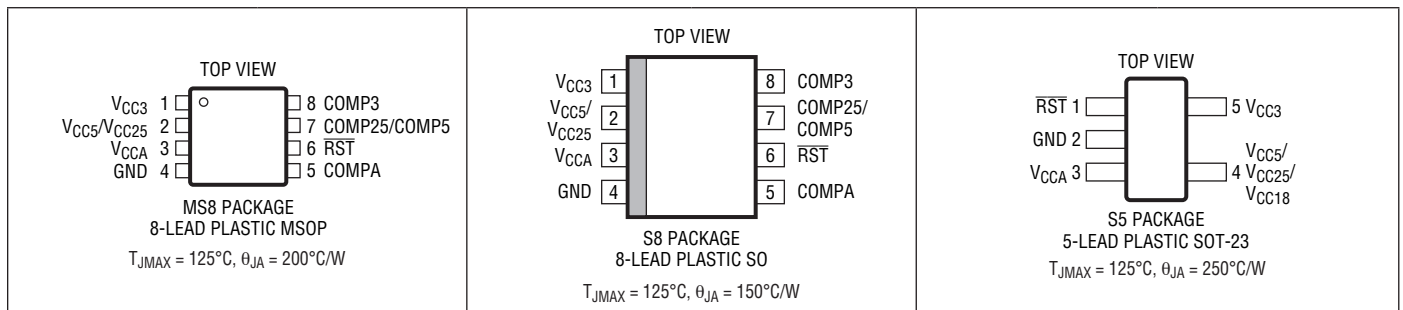


# LTC1727/LTC1728

## ABSOLUTE MAXIMUM RATINGS (Notes 1, 2)

|   |             |  |                |
|---|-------------|--|----------------|
| $V_{CC3}, V_{CC5}/V_{CC25}/V_{CC18}, V_{CCA}$ ..... | -0.3V to 7V | Operating Temperature Range                |                |
| RST .....   | -0.3V to 7V | LTC1727/LTC1728E (Note 3) .....            | -40°C to 85°C  |
| COMP3, COMP25/COMP5                                 |             | LTC1728H .....                             | -40°C to 125°C |
| (MS8 and SO-8 Only) .....                           | -0.3V to 7V | LTC1727I .....                             | -40°C to 85°C  |
|   |             | Storage Temperature Range .....            | -65°C to 150°C |
|   |             | Lead Temperature (Soldering, 10 sec) ..... | 300°C          |

## PIN CONFIGURATION



| ORDER PART NUMBER | MS8 PART MARKING | ORDER PART NUMBER | S8 PART MARKING | ORDER PART NUMBER | S5 PART MARKING |
|-------------------|------------------|-------------------|-----------------|-------------------|-----------------|
| LTC1727EMS8-2.5   | LTHY             | LTC1727ES8-2.5    | 172725          | LTC1728ES5-1.8    | LTPH            |
| LTC1727EMS8-5     | LTHX             | LTC1727IS8-2.5    | 727125          | LTC1728ES5-2.5    | LTIA            |
|                   |                  | LTC1727ES8-5      | 17275           | LTC1728ES5-3.3    | LTYP            |
|                   |                  | LTC1727IS8-5      | 172715          | LTC1728ES5-5      | LTHZ            |
|                   |                  |                   |                 | LTC1728HS5-5      | LTHZ            |

**Order Options** Tape and Reel: Add #TR Lead Free: Add #PBF Lead Free Tape and Reel: Add #TRPBF

Lead Free Part Marking: <http://www.linear.com/leadfree/>

Consult LTC Marketing for parts specified with wider operating temperature ranges.

## ELECTRICAL CHARACTERISTICS All except LTC1728-1.8/LTC1728-3.3. The ● denotes specifications which apply over the full operating temperature range, otherwise specifications are at $T_A = 25^{\circ}\text{C}$ . $V_{CC3} = 3.3\text{V}$ , $V_{CC5} = 5\text{V}$ , $V_{CC25} = 2.5\text{V}$ , $V_{CCA} = V_{CC3}$ unless otherwise noted.

| SYMBOL      | PARAMETER                                     | CONDITIONS   | MIN     | TYP   | MAX   | UNITS |
|-------------|---|--|---------|-------|-------|-------|
| $V_{RT3}$   | Reset Threshold $V_{CC3}$                     | $V_{CC3}$ Input Threshold  | ● 3.036 | 3.086 | 3.135 | V     |
| $V_{RT5}$   | Reset Threshold $V_{CC5}$                     | $V_{CC5}$ Input Threshold (5V Version)                           | ● 4.600 | 4.675 | 4.750 | V     |
| $V_{RT25}$  | Reset Threshold $V_{CC25}$                    | $V_{CC25}$ Input Threshold (2.5V Version)                        | ● 2.300 | 2.338 | 2.375 | V     |
| $V_{RTA}$   | Reset Threshold $V_{CCA}$                     | $V_{CCA}$ Input Threshold  | ● 0.985 | 1.000 | 1.015 | V     |
| $V_{CCOP}$  | $V_{CC3}, V_{CC5}/V_{CC25}$ Operating Voltage | RST, COMP3, COMP5, COMP25 in Correct Logic State                 | ● 1     |       | 7     | V     |
| $V_{CCOPA}$ | $V_{CC3}, V_{CC5}/V_{CC25}$ Operating Voltage | Minimum Supply Voltage to Guarantee COMPA in Correct Logic State | ●       | 2     | 2.3   | V     |

## ELECTRICAL CHARACTERISTICS

All except LTC1728-1.8/LTC1728-3.3. The ● denotes specifications which apply over the full operating temperature range, otherwise specifications are at  $T_A = 25^\circ\text{C}$ .  $V_{CC3} = 3.3\text{V}$ ,  $V_{CC5} = 5\text{V}$ ,  $V_{CC25} = 2.5\text{V}$ ,  $V_{CCA} = V_{CC3}$  unless otherwise noted.

| SYMBOL                   | PARAMETER  | CONDITIONS   | MIN              | TYP                          | MAX                      | UNITS                                  |
|--------------------------|--|--|------------------|------------------------------|--------------------------|--|
| $I_{VCC3}$               | $V_{CC3}$ Supply Current   | $V_{CC5}/V_{CC25} > V_{CC3}$<br>$V_{CC5}/V_{CC25} < V_{CC3}$ , $V_{CC3} = 3.3\text{V}$ (Note 4)  | ●<br>●           | 1<br>10                      | 2<br>20                  | $\mu\text{A}$<br>$\mu\text{A}$         |
| $I_{VCC25}$              | $V_{CC25}$ Supply Current  | $V_{CC25} < V_{CC3}$ , $V_{CC25} = 2.5\text{V}$ (Note 4)   | ●                | 1                            | 2                        | $\mu\text{A}$                          |
| $I_{VCC5}$               | $V_{CC5}$ Supply Current   | $V_{CC5} = 5\text{V}$ , $V_{CC3} < V_{CC5}$  | ●                | 10                           | 20                       | $\mu\text{A}$                          |
| $I_{VCCA}$               | $V_{CCA}$ Input Current  | $V_{CCA} = 1\text{V}$<br>$-40^\circ\text{C} < T_A < 125^\circ\text{C}$   | ●<br>●           | -15<br>-20                   | 0<br>0                   | 15<br>50<br>$\text{nA}$<br>$\text{nA}$ |
| $t_{RST}$                | Reset Pulse Width  | $\overline{\text{RST}}$ Low with 10k Pull-Up to $V_{CC3}$ (Note 5)<br>$-40^\circ\text{C} < T_A < 125^\circ\text{C}$  | ●<br>●           | 140<br>140                   | 200<br>280<br>350        | ms<br>ms                               |
| $t_{UV}$                 | $V_{CC}$ Undervoltage Detect to $\overline{\text{RST}}$ or COMPX | $V_{CC5}$ , $V_{CC25}$ , $V_{CC3}$ or $V_{CCA}$ Less Than Reset Threshold $V_{RT}$ by More Than 1% (Note 5)  |                  | 110                          |                          | $\mu\text{s}$                          |
| $V_{OL}$                 | Output Voltage Low, $\overline{\text{RST}}$ , COMPX              | $I_{\text{SINK}} = 2.5\text{mA}$ , $V_{CC3} = 3\text{V}$ , $V_{CC5}/V_{CC25} = 0\text{V}$<br>$I_{\text{SINK}} = 100\mu\text{A}$ , $V_{CC3} = 1\text{V}$ , $V_{CC5}/V_{CC25} = 0\text{V}$<br>$I_{\text{SINK}} = 100\mu\text{A}$ , $V_{CC3} = 0\text{V}$ , $V_{CC5}/V_{CC25} = 1\text{V}$<br>$I_{\text{SINK}} = 100\mu\text{A}$ , $V_{CC3} = 1\text{V}$ , $V_{CC5}/V_{CC25} = 1\text{V}$ | ●<br>●<br>●<br>● | 0.15<br>0.05<br>0.05<br>0.05 | 0.4<br>0.3<br>0.3<br>0.3 | V<br>V<br>V<br>V                       |
| $V_{OH}$                 | Output Voltage High, $\overline{\text{RST}}$ , COMPX (Note 6)    | $I_{\text{SOURCE}} = 1\mu\text{A}$   | ●                | $V_{CC3} - 1$                |                          | V                                      |
| LTC1727-5/LTC1728-5 Only |  |  |                  |                              |                          |  |
| $V_{OVR}$                | $V_{CC5}$ Reset Override Voltage (Note 7)                        | Override $V_{CC5}$ Ability to Assert RST   |                  | $V_{CC3} \pm 0.025$          |                          | V                                      |

### LTC1728-1.8 The ● denotes specifications which apply over the full operating temperature range, otherwise specifications are at $T_A = 25^\circ\text{C}$ . $V_{CC3} = 3\text{V}$ , $V_{CC18} = 1.8\text{V}$ , $V_{CCA} = V_{CC3}$ unless otherwise noted.

| SYMBOL      | PARAMETER   | CONDITIONS   | MIN              | TYP                          | MAX                      | UNITS                          |
|-------------|---|--|------------------|------------------------------|--------------------------|--------------------------------|
| $V_{RT3}$   | Reset Threshold $V_{CC3}$                               | $V_{CC3}$ Input Threshold  | ●                | 2.760                        | 2.805                    | 2.850<br>V                     |
| $V_{RT18}$  | Reset Threshold $V_{CC18}$                              | $V_{CC18}$ Input Threshold   | ●                | 1.656                        | 1.683                    | 1.710<br>V                     |
| $V_{RTA}$   | Reset Threshold $V_{CCA}$                               | $V_{CCA}$ Input Threshold  | ●                | 0.985                        | 1.000                    | 1.015<br>V                     |
| $V_{CCOP}$  | $V_{CC3}$ , $V_{CC18}$ Operating Voltage                | $\overline{\text{RST}}$ in Correct Logic State   | ●                | 1                            | 7                        | V                              |
| $I_{VCC3}$  | $V_{CC3}$ Supply Current                                | $V_{CC18} > V_{CC3}$<br>$V_{CC18} < V_{CC3}$ , $V_{CC3} = 3\text{V}$ (Note 4)  | ●<br>●           | 1<br>10                      | 2<br>20                  | $\mu\text{A}$<br>$\mu\text{A}$ |
| $I_{VCC18}$ | $V_{CC18}$ Supply Current                               | $V_{CC18} < V_{CC3}$ , $V_{CC18} = 1.8\text{V}$ (Note 4)   | ●                | 1                            | 2                        | $\mu\text{A}$                  |
| $I_{VCCA}$  | $V_{CCA}$ Input Current                                 | $V_{CCA} = 1\text{V}$  | ●                | -15                          | 0                        | 15<br>$\text{nA}$              |
| $t_{RST}$   | Reset Pulse Width                                       | $\overline{\text{RST}}$ Low (Note 5)   | ●                | 140                          | 200                      | 280<br>ms                      |
| $t_{UV}$    | $V_{CC}$ Undervoltage Detect to $\overline{\text{RST}}$ | $V_{CC18}$ , $V_{CC3}$ or $V_{CCA}$ Less Than Reset (Note 5) Threshold $V_{RT}$ by More Than 1%  |                  | 110                          |                          | $\mu\text{s}$                  |
| $V_{OL}$    | Output Voltage Low, $\overline{\text{RST}}$             | $I_{\text{SINK}} = 2.5\text{mA}$ , $V_{CC3} = 3\text{V}$ , $V_{CC18} = 0\text{V}$<br>$I_{\text{SINK}} = 100\mu\text{A}$ , $V_{CC3} = 1\text{V}$ , $V_{CC18} = 0\text{V}$<br>$I_{\text{SINK}} = 100\mu\text{A}$ , $V_{CC3} = 0\text{V}$ , $V_{CC18} = 1\text{V}$<br>$I_{\text{SINK}} = 100\mu\text{A}$ , $V_{CC3} = 1\text{V}$ , $V_{CC18} = 1\text{V}$ | ●<br>●<br>●<br>● | 0.15<br>0.05<br>0.05<br>0.05 | 0.4<br>0.3<br>0.3<br>0.3 | V<br>V<br>V<br>V               |
| $V_{OH}$    | Output Voltage High, $\overline{\text{RST}}$            | $I_{\text{SOURCE}} = 1\mu\text{A}$ (Note 6)  | ●                | $V_{CC3} - 1$                |                          | V                              |

## ELECTRICAL CHARACTERISTICS

LTC1728-3.3 The ● denotes specifications which apply over the full operating temperature range, otherwise specifications are at  $T_A = 25^\circ\text{C}$ .  $V_{CC3} = 3.3\text{V}$ ,  $V_{CC18} = 1.8\text{V}$ ,  $V_{CCA} = V_{CC3}$  unless otherwise noted.

| SYMBOL           | PARAMETER   | CONDITIONS   |                  | MIN           | TYP                          | MAX                      | UNITS                          |
|------------------|---|--|------------------|---------------|------------------------------|--------------------------|--------------------------------|
| $V_{RT3}$        | Reset Threshold $V_{CC3}$                               | $V_{CC3}$ Input Threshold  | ●                | 3.036         | 3.086                        | 3.135                    | V                              |
| $V_{RT18}$       | Reset Threshold $V_{CC18}$                              | $V_{CC18}$ Input Threshold   | ●                | 1.656         | 1.683                        | 1.710                    | V                              |
| $V_{RTA}$        | Reset Threshold $V_{CCA}$                               | $V_{CCA}$ Input Threshold  | ●                | 0.985         | 1.000                        | 1.015                    | V                              |
| $V_{CCOP}$       | $V_{CC3}$ , $V_{CC18}$ Operating Voltage                | $\overline{\text{RST}}$ in Correct Logic State   | ●                | 1             |                              | 7                        | V                              |
| $I_{VCC3}$       | $V_{CC3}$ Supply Current                                | $V_{CC18} > V_{CC3}$<br>$V_{CC18} < V_{CC3}$ , $V_{CC3} = 3.3\text{V}$ (Note 4)  | ●<br>●           |               | 1<br>10                      | 2<br>20                  | $\mu\text{A}$<br>$\mu\text{A}$ |
| $I_{VCC18}$      | $V_{CC18}$ Supply Current                               | $V_{CC18} < V_{CC3}$ , $V_{CC18} = 1.8\text{V}$ (Note 4)   | ●                |               | 1                            | 2                        | $\mu\text{A}$                  |
| $I_{VCCA}$       | $V_{CCA}$ Input Current                                 | $V_{CCA} = 1\text{V}$  | ●                | -15           | 0                            | 15                       | nA                             |
| $t_{\text{RST}}$ | Reset Pulse Width                                       | $\overline{\text{RST}}$ Low (Note 5)   | ●                | 140           | 200                          | 280                      | ms                             |
| $t_{\text{UV}}$  | $V_{CC}$ Undervoltage Detect to $\overline{\text{RST}}$ | $V_{CC18}$ , $V_{CC3}$ or $V_{CCA}$ Less Than Reset (Note 5) Threshold $V_{RT}$ by More Than 1%  |                  |               | 110                          |                          | $\mu\text{s}$                  |
| $V_{OL}$         | Output Voltage Low, $\overline{\text{RST}}$             | $I_{\text{SINK}} = 2.5\text{mA}$ , $V_{CC3} = 3.3\text{V}$ , $V_{CC18} = 0\text{V}$<br>$I_{\text{SINK}} = 100\mu\text{A}$ , $V_{CC3} = 1\text{V}$ , $V_{CC18} = 0\text{V}$<br>$I_{\text{SINK}} = 100\mu\text{A}$ , $V_{CC3} = 0\text{V}$ , $V_{CC18} = 1\text{V}$<br>$I_{\text{SINK}} = 100\mu\text{A}$ , $V_{CC3} = 1\text{V}$ , $V_{CC18} = 1\text{V}$ | ●<br>●<br>●<br>● |               | 0.15<br>0.05<br>0.05<br>0.05 | 0.4<br>0.3<br>0.3<br>0.3 | V<br>V<br>V<br>V               |
| $V_{OH}$         | Output Voltage High, $\overline{\text{RST}}$            | $I_{\text{SOURCE}} = 1\mu\text{A}$ (Note 6)  | ●                | $V_{CC3} - 1$ |                              |                          | V                              |

**Note 1:** Stresses beyond those listed under Absolute Maximum Ratings may cause permanent damage to the device. Exposure to any Absolute Maximum Rating condition for extended periods may affect device reliability and lifetime.

**Note 2:** All voltage values are with respect to GND.

**Note 3:** The LTC1727E/LTC1728E are guaranteed to meet specified performance from  $0^\circ\text{C}$  to  $70^\circ\text{C}$  and are designed, characterized and assured to meet the extended temperature limits of  $-40^\circ\text{C}$  to  $85^\circ\text{C}$  but are not tested at these temperatures.

**Note 4:** Both  $V_{CC3}$  and  $V_{CC5}/V_{CC25}/V_{CC18}$  can act as the supply depending on which pin has the greatest potential.

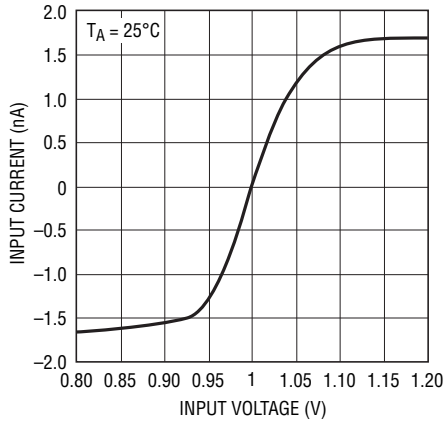
**Note 5:** Measured from when input passes through the input threshold ( $V_{RTX}$ ) until  $\text{RST}$  or  $\text{COMPX}$  passes through 1.5V.

**Note 6:** The output pins  $\text{RST}$  and  $\text{COMPX}$  have internal pull-ups to  $V_{CC3}$  of typically  $6\mu\text{A}$ . However, external pull-up resistors may be used when faster rise times are required or for  $V_{OH}$  voltages greater than  $V_{CC3}$ .

**Note 7:** The  $V_{CC5}$  reset override voltage is valid for an operating range less than approximately 4.15V. Above this point the override is turned off and the  $V_{CC5}$  pin functions normally.

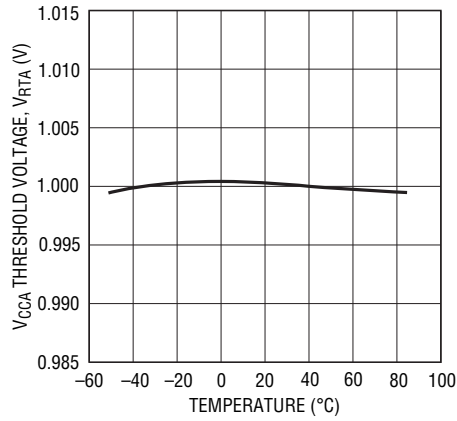
# TYPICAL PERFORMANCE CHARACTERISTICS

**V<sub>CCA</sub> Input Current vs Input Voltage**



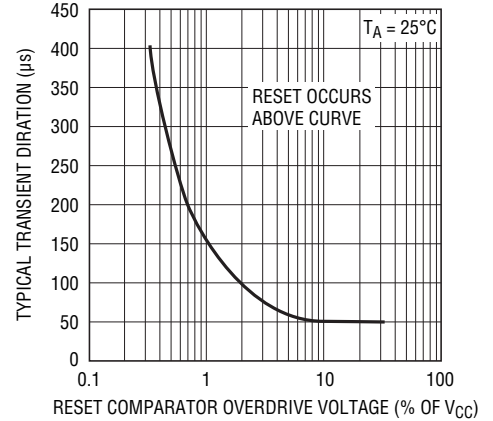
1727/28 G01

**V<sub>CCA</sub> Threshold Voltage vs Temperature**



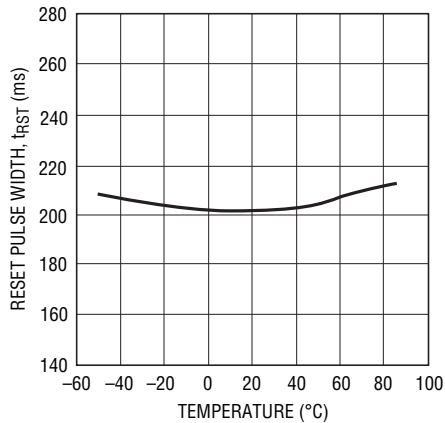
1727/28 G02

**Typical Transient Duration vs Comparator Overdrive**



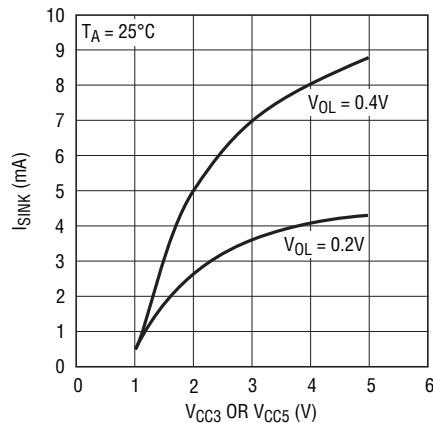
1727/28 G03

**Reset Pulse Width vs Temperature**



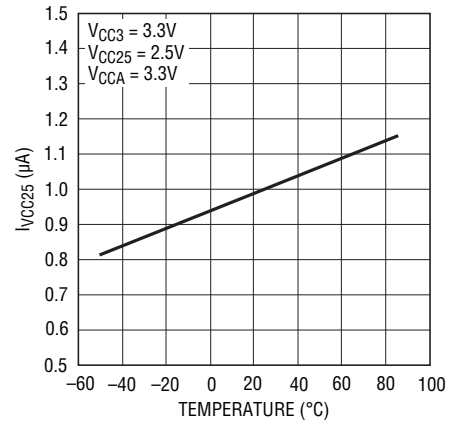
1727/28 G04

**R<sub>ST</sub>, COMPX I<sub>SINK</sub> vs Supply Voltage**



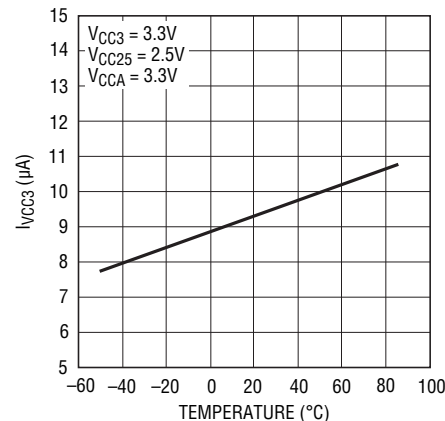
1727/28 G05

**I<sub>VCC25</sub> vs Temperature (LTC1727-2.5/LT1728-2.5)**



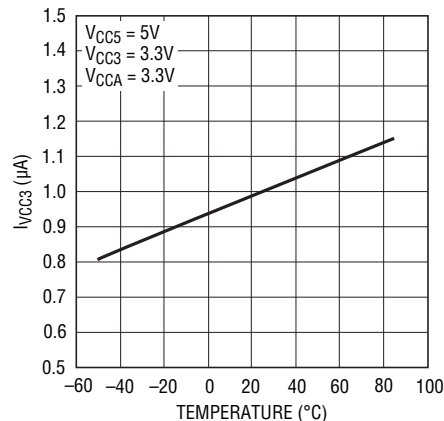
1727/28 G06

**I<sub>VCC3</sub> vs Temperature (LTC1727-2.5/LTC1728-2.5/LTC1728-3.3)**



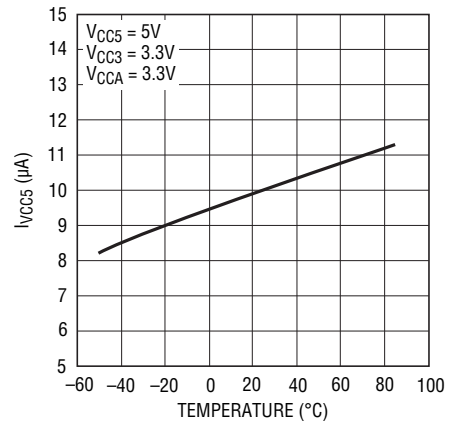
1727/28 G07

**I<sub>VCC3</sub> vs Temperature (LTC1727-5/LTC1728-5)**



1727/28 G08

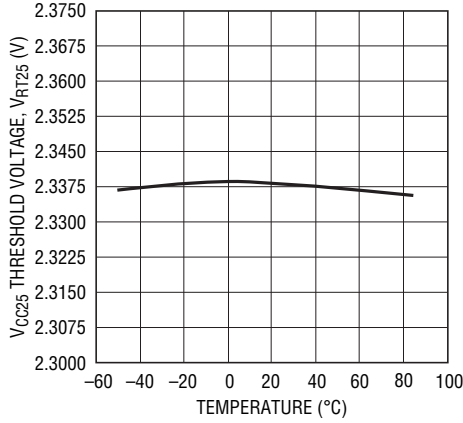
**I<sub>VCC5</sub> vs Temperature (LTC1727-5/LTC1728-5)**



1727/28 G09

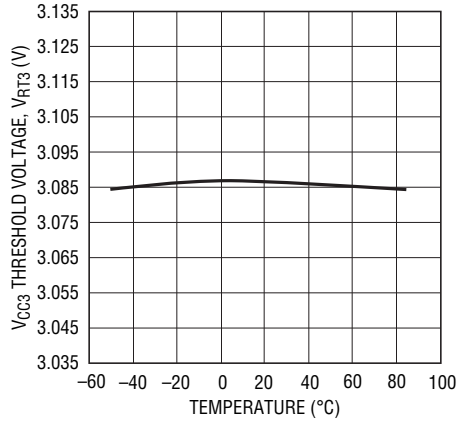
## TYPICAL PERFORMANCE CHARACTERISTICS

**V<sub>CC25</sub> Threshold Voltage vs Temperature**  
(LTC1727-2.5/LTC1728-2.5)



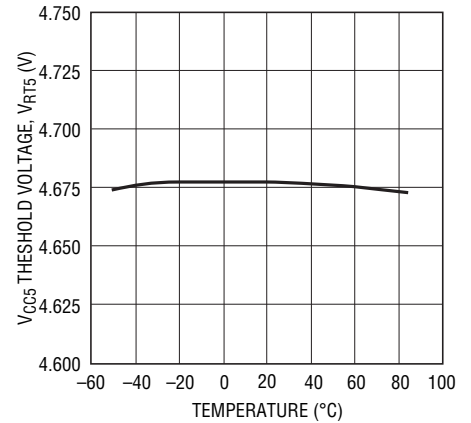
1727/28 G10

**V<sub>CC3</sub> Threshold Voltage vs Temperature**  
(All But LTC1728-1.8)



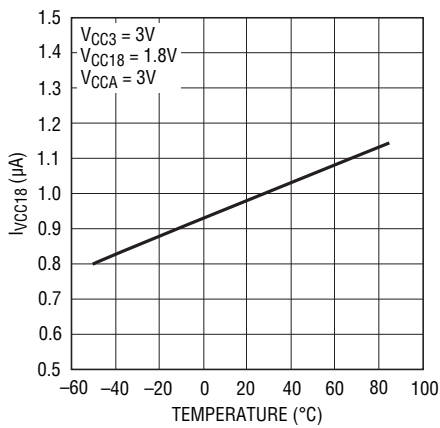
1727/28 G11

**V<sub>CC5</sub> Threshold Voltage vs Temperature**  
(LTC1727-5/LTC1728-5)



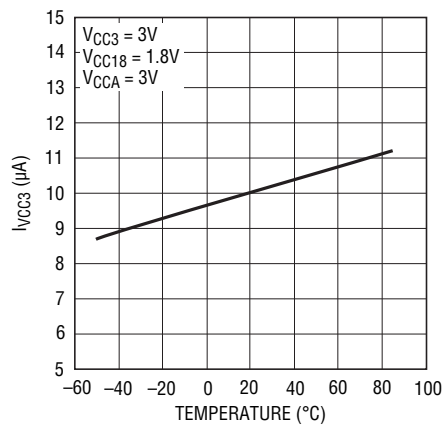
1727/28 G12

**I<sub>VCC18</sub> vs Temperature**  
(LTC1728-1.8/LTC1728-3.3)



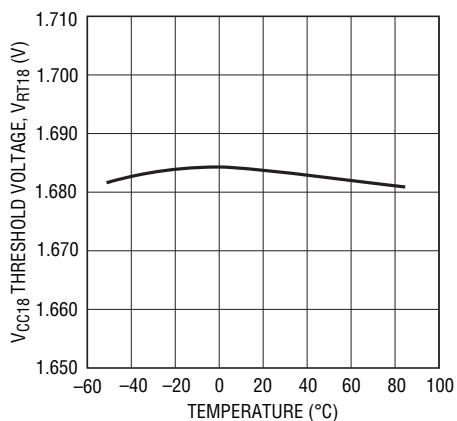
1727/28 G13

**I<sub>VCC3</sub> vs Temperature**  
(LTC1728-1.8)



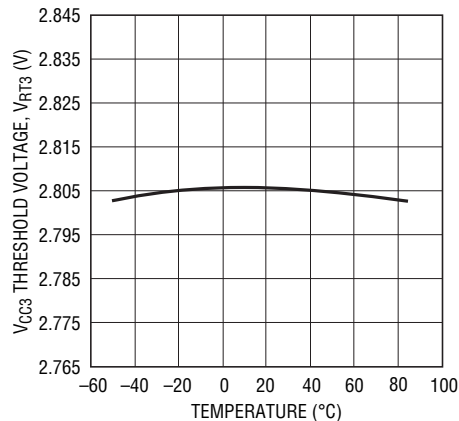
1727/28 G14

**V<sub>CC18</sub> Threshold Voltage vs Temperature**  
(LTC1728-1.8/LTC1728-3.3)



1727/28 G15

**V<sub>CC3</sub> Threshold Voltage vs Temperature**  
(LTC1728-1.8)



1727/28 G16

## PIN FUNCTIONS (LTC1727/LTC1728)

**V<sub>CC3</sub> (Pin 1/Pin 5):** 3.3V Sense Input and Power Supply Pin. (3V Sense Input and Power Supply Pin for LTC1728-1.8.) This pin provides power to the part when the voltage on V<sub>CC3</sub> is greater than the voltage on V<sub>CC5</sub>/V<sub>CC25</sub>/V<sub>CC18</sub>. Bypass to ground with a  $\geq 0.1\mu\text{F}$  ceramic capacitor.

**V<sub>CC5</sub> (Pin 2/Pin 4):** 5V Sense Input and Power Supply Pin. This pin is used on the LTC1727-5/LTC1728-5 to provide power to the part when the voltage on V<sub>CC5</sub> is greater than the voltage on V<sub>CC3</sub>. Bypass to ground with a  $\geq 0.1\mu\text{F}$  ceramic capacitor.

**V<sub>CC25</sub> (Pin 2/Pin 4):** 2.5V Sense Input and Power Supply Pin. This pin is used on the LTC1727-2.5/LTC1728-2.5 to provide power to the part when the voltage on V<sub>CC25</sub> is greater than the voltage on V<sub>CC3</sub>. Bypass to ground with a  $\geq 0.1\mu\text{F}$  ceramic capacitor.

**V<sub>CC18</sub> (Pin 2/Pin 4):** 1.8V Sense Input and Power Supply Pin. This pin is used on the LTC1728-1.8/LTC1728-3.3 to provide power to the part when the voltage on V<sub>CC18</sub> is greater than the voltage on V<sub>CC3</sub>. Bypass to ground with a  $\geq 0.1\mu\text{F}$  ceramic capacitor.

**V<sub>CCA</sub> (Pin 3/Pin 3):** 1V Sense, High Impedance Input. If unused, it can be tied to either V<sub>CC3</sub> or V<sub>CC5</sub>/V<sub>CC25</sub>/V<sub>CC18</sub>.

**GND (Pin 4/Pin 2):** Ground.

**COMPA (Pin 5):** V<sub>CCA</sub> Comparator Output for the LTC1727. Active high, open-drain logic output with weak pull-up to V<sub>CC3</sub>. Asserted when V<sub>CCA</sub> is above V<sub>RTA</sub>. Deasserted when V<sub>CCA</sub> is below V<sub>RTA</sub> or if both the V<sub>CC3</sub> and V<sub>CC5</sub> supply pins are too low to power the internal bandgap reference (typically  $< 2.0\text{V}$ ). Can be pulled greater than V<sub>CC3</sub> using an external pull-up.

**RST (Pin 6/Pin 1):** Reset Logic Output. Active low, open-drain logic output with weak pull-up to V<sub>CC3</sub>. Can be pulled up greater than V<sub>CC3</sub> when interfacing to 5V logic. Asserted when one or all of the supplies are below trip thresholds and held for 200ms after all supplies become valid.

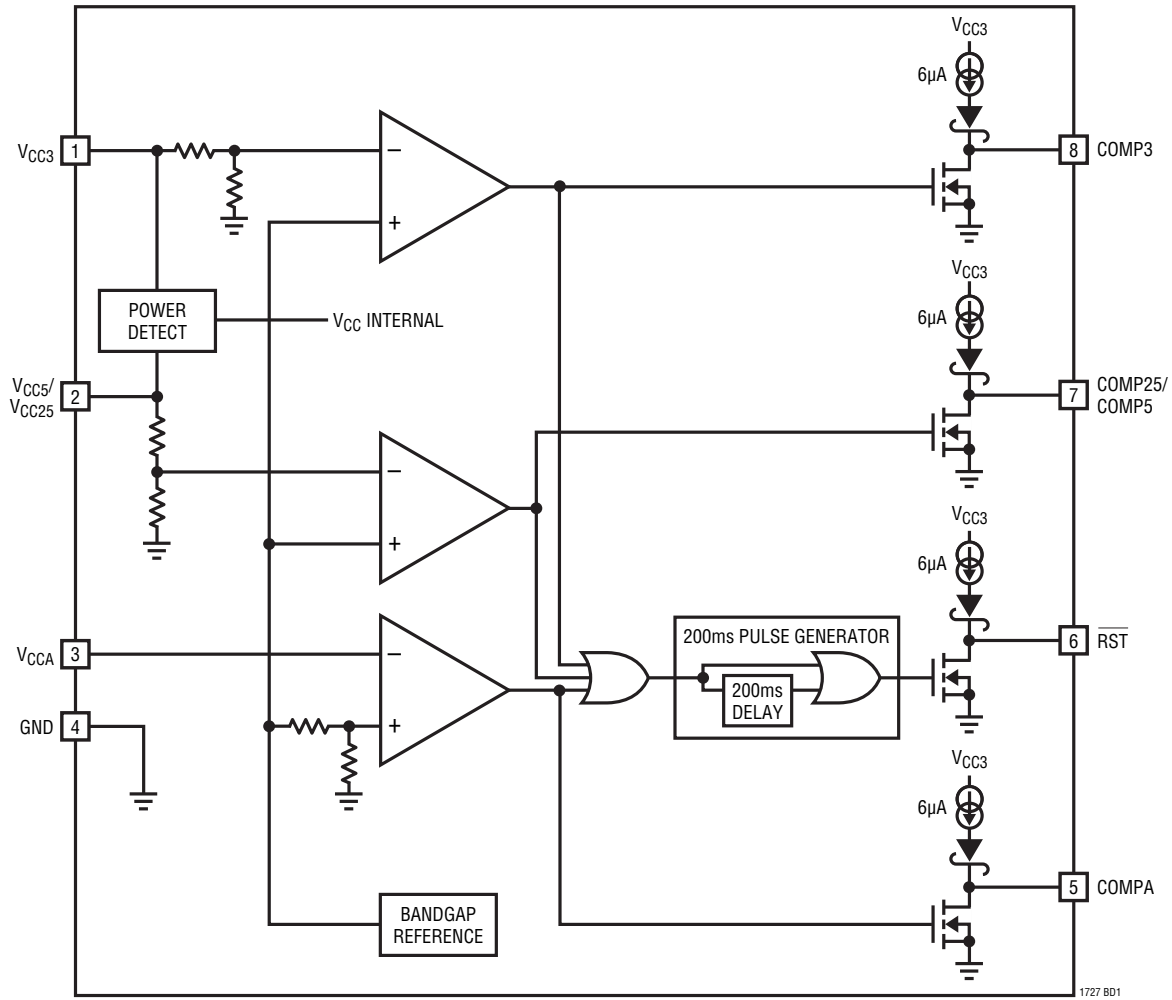
**COMP5 (Pin 7):** V<sub>CC5</sub> Comparator Output for the LTC1727-5. Active high, open-drain logic output with weak pull-up to V<sub>CC3</sub>. Asserted when V<sub>CC5</sub> is above V<sub>RT5</sub>. Can be pulled greater than V<sub>CC3</sub> using an external pull-up.

**COMP25 (Pin 7):** V<sub>CC25</sub> Comparator Output for the LTC1727-2.5. Active high, open-drain logic output with weak pull-up to V<sub>CC3</sub>. Asserted when V<sub>CC25</sub> is above V<sub>RT25</sub>. Can be pulled greater than V<sub>CC3</sub> using an external pull-up.

**COMP3 (Pin 8):** V<sub>CC3</sub> Comparator Output for the LTC1727. Active high, open-drain logic output with weak pull-up to V<sub>CC3</sub>. Asserted when V<sub>CC3</sub> is above V<sub>RT3</sub>. Can be pulled greater than V<sub>CC3</sub> using an external pull-up.

## BLOCK DIAGRAMS

LTC1727-5/LTC1727-2.5

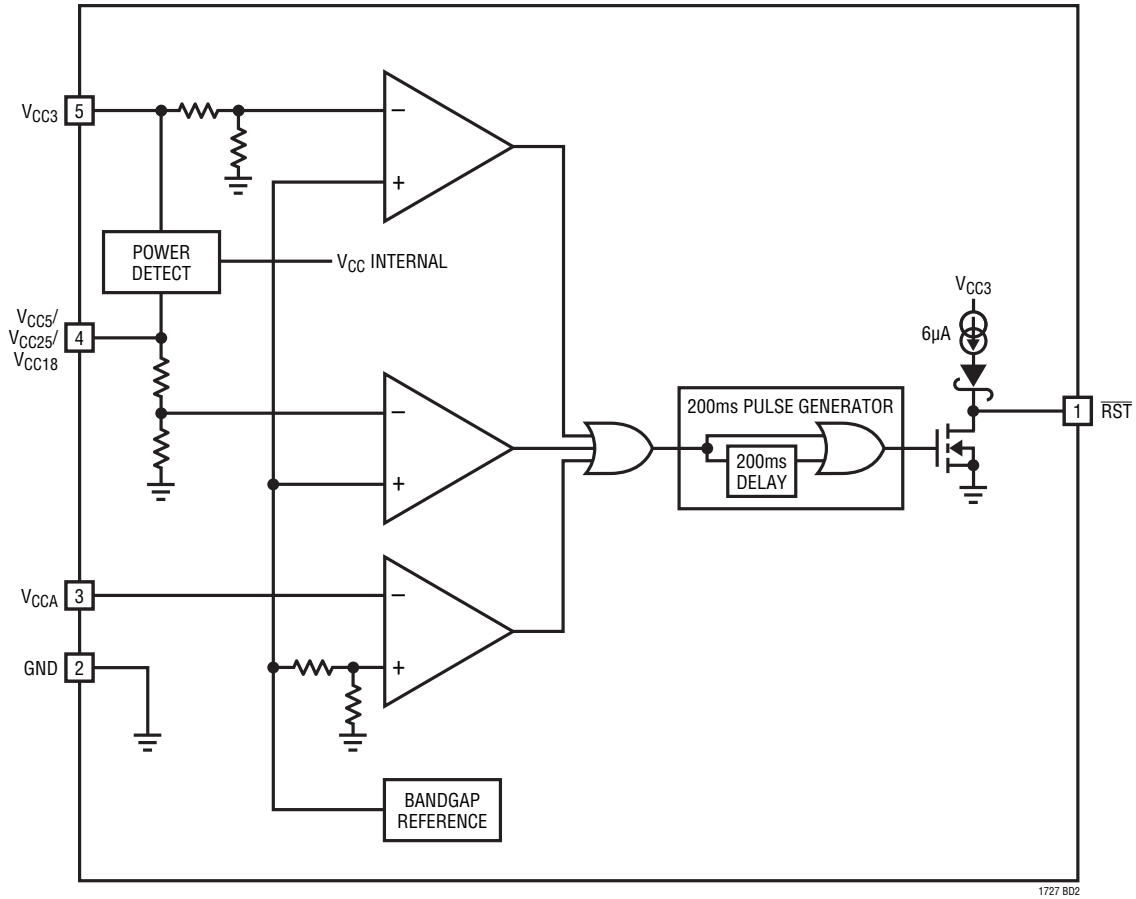


1727 B01



# BLOCK DIAGRAMS

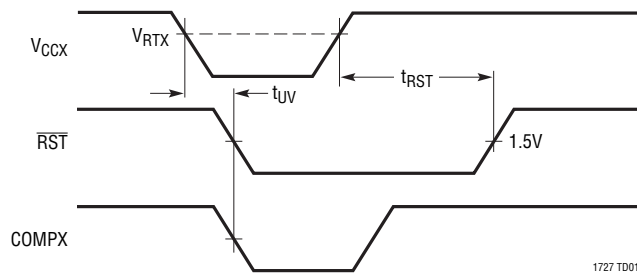
LTC1728-5/LTC1728-2.5/LTC1728-1.8/LTC1728-3.3



1727 BD2

# TIMING DIAGRAM

V<sub>CC</sub> Monitor Timing



1727 TD01

## APPLICATIONS INFORMATION

### Supply Monitoring

The LTC1727 is a low power, high accuracy triple supply monitoring circuit with three monitor outputs and a 200ms microprocessor reset output.

The LTC1728 is a low power, high accuracy triple supply monitoring circuit with a single 200ms microprocessor reset output.

All three  $V_{CC}$  inputs must be above predetermined thresholds for reset not to be invoked. The LTC1727/LTC1728 will assert reset during power-up, power-down and brownout conditions on any one or all of the  $V_{CC}$  inputs.

### Power Detect

The LTC1727/LTC1728 are powered from the 3.3V/3V input pin ( $V_{CC3}$ ), the 1.8V input pin ( $V_{CC18}$ ), the 2.5V input pin ( $V_{CC25}$ ) or the 5V input pin ( $V_{CC5}$ ), whichever pin has the highest potential. This ensures the part pulls the  $\overline{RST}$  pin low as soon as either input pin is  $\geq 1V$ .

### Power-Up

Upon power-up, either the  $V_{CC5}/V_{CC25}/V_{CC18}$  or  $V_{CC3}$  pin, can power the part. This ensures that  $\overline{RST}$  will be low when either  $V_{CC5}/V_{CC25}/V_{CC18}$  or  $V_{CC3}$  reaches 1V. As long as any one of the  $V_{CC}$  inputs is below its predetermined threshold,  $\overline{RST}$  will stay a logic low. Once all of the  $V_{CC}$  inputs rise above their thresholds, an internal timer is started and  $\overline{RST}$  is released after 200ms.

$\overline{RST}$  is reasserted whenever any one of the  $V_{CC}$  inputs drops below its predetermined threshold and remains asserted until 200ms after all of the  $V_{CC}$  inputs are above their thresholds.

On the LTC1727, each of the comparator outputs will be low until the  $V_{CC}$  input that is monitored by that comparator rises above the appropriate predetermined threshold. The COMP3, and COMP5/COMP25 outputs are guaranteed to be in the correct logic state for either  $V_{CC3}$  or  $V_{CC5}/V_{CC25}$  greater than 1V. The COMPA output requires the internal bandgap reference to be valid before the correct logic state can be output. Therefore, the COMPA output will be held low until  $V_{CCA}$  is above 1V and  $V_{CC3}$  or  $V_{CC5}/V_{CC25}$  is greater than 2V (typ).

### Power-Down

On power-down, once any of the  $V_{CC}$  inputs drop below its threshold,  $\overline{RST}$  is held at a logic low. A logic low of 0.3V is guaranteed until both  $V_{CC3}$  and  $V_{CC5}/V_{CC25}/V_{CC18}$  drop below 1V.

### Glitch Immunity

The  $\overline{RST}$  output of the LTC1727/LTC1728 have two forms of glitch immunity built in. First, the input monitors require the input voltage to transition at least 10% of the input threshold ( $0.1 \cdot V_{RTH}$ ) below the input threshold for approximately 50 $\mu$ s in order to force the monitor output low. The duration of the transition must be longer for voltage transitions of lesser magnitude (see Figure 1). Secondly, the reset pulse width of approximately 200ms acts to debounce the  $\overline{RST}$  output ensuring that the  $\overline{RST}$  output will always be in the correct state.

The individual monitor outputs of the LTC1727 do not have hysteresis and will track the monitor inputs relative to the monitor's input threshold ( $V_{RTA}$ ,  $V_{RT25}$ ,  $V_{RT3}$  and  $V_{RT5}$ ). A very slow moving input voltage with ripple riding on it may cause the individual monitor outputs (COMP3, COMP25, COMP5) to toggle on the ripple as the input voltage passes the input threshold. The slow response time of the LTC1727's input monitors has a tendency to integrate signals on the inputs improving their immunity to noise and ripple.

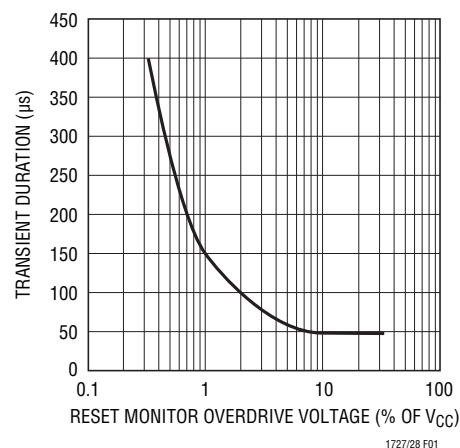


Figure 1. Transient Duration vs Comparator Overdrive

## APPLICATIONS INFORMATION

### Override Functions (5V Versions Only)

The  $V_{CCA}$  pin, if unused, can be tied to either  $V_{CC3}$  or  $V_{CC5}$ . This is an obvious solution since the trip points for  $V_{CC3}$  and  $V_{CC5}$  will always be greater than the trip point for  $V_{CCA}$ .

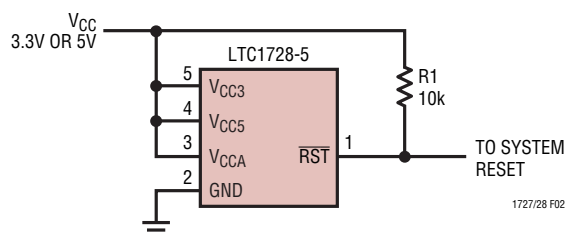
The  $V_{CC5}$  input trip point is disabled if its voltage is equal to the voltage on  $V_{CC3} \pm 25\text{mV}$  and the voltage on  $V_{CC5}$  is less than 4.15V. In this manner, the LTC1727-5/LTC1728-5 will behave as a 3.3V monitor and  $V_{CC5}$  reset capability will be disabled.

The  $V_{CC5}$  trip point is reenabled when the voltage on  $V_{CC5}$  is equal to the voltage on  $V_{CC3} \pm 25\text{mV}$  and the two inputs are greater than approximately 4.15V. In this manner, the part can function as a 5V monitor with the 3.3V monitor disabled.

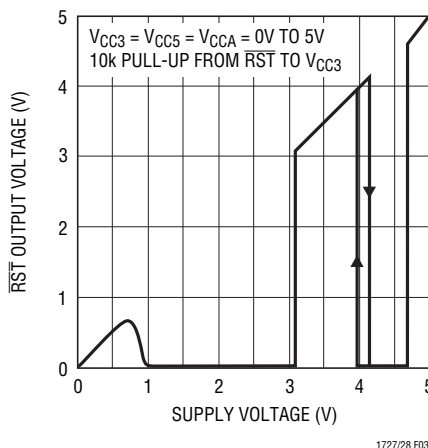
When monitoring either 3.3V or 5V with  $V_{CC3}$  strapped to  $V_{CC5}$  (see Figure 2), the part determines which is the appropriate range. The part handles this situation as shown in Figure 3. Above 1V and below  $V_{RT3}$ ,  $\overline{\text{RST}}$  is held low. From  $V_{RT3}$  to approximately 4.15V the part assumes 3.3V supply monitoring and  $\overline{\text{RST}}$  is deasserted. Above approximately 4.15V the part operates as a 5V monitor. In most systems the 5V supply will pass through the 3.1V to 4.15V region in <200ms during power-up, and the  $\overline{\text{RST}}$  output will behave as desired. Table 1 summarizes the state of  $\overline{\text{RST}}$  at various operating voltages with  $V_{CC3} = V_{CC5}$ .

**Table 1. Override Truth Table ( $V_{CC3} = V_{CC5}$ )**

| INPUTS ( $V_{CC3} = V_{CC5} = V_{CC}$ ) | $\overline{\text{RST}}$ |
|---|-------------------------|
| $0\text{V} \leq V_{CC} \leq 1\text{V}$  | —                       |
| $1\text{V} \leq V_{CC} \leq V_{RT3}$    | 0                       |
| $V_{RT3} \leq V_{CC} \leq 4.15\text{V}$ | 1                       |
| $4.15\text{V} \leq V_{CC} \leq V_{RT5}$ | 0                       |
| $V_{RT5} \leq V_{CC}$                   | 1                       |



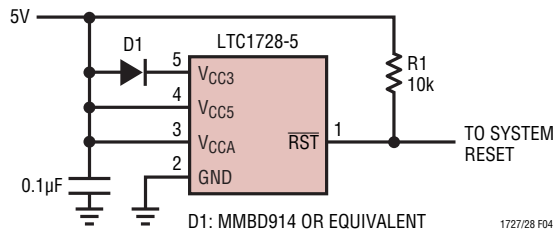
**Figure 2. Single Supply Monitor with Others Disabled**



**Figure 3.  $\overline{\text{RST}}$  Voltage vs Supply Voltage**

## APPLICATIONS INFORMATION

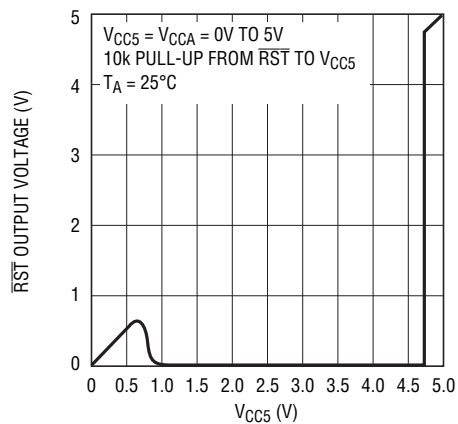
Figure 4 contains a simple circuit for 5V systems that can't risk the  $\overline{\text{RST}}$  output going high in the 3.1V to 4.15V range (possibly due to very slow rise time on the 5V supply). Diode D1 powers the LTC1728-5 while dropping  $\approx 0.6\text{V}$  from the  $V_{\text{CC5}}$  pin to the  $V_{\text{CC3}}$  pin. This prevents the part's internal override circuit from being activated. Without the override circuit active, the  $\overline{\text{RST}}$  pin stays low until  $V_{\text{CC5}}$  reaches  $V_{\text{RT5}} \approx 4.675\text{V}$ . (See Figure 5.)



**Figure 4. LTC1728-5 Monitoring a Single 5V Supply. D1 Used to Avoid  $\overline{\text{RST}}$  High Near 3.1V to 4V (See Figure 3).**

### LTC1727-2.5/LTC1728-2.5/LTC1728-1.8/LTC1728-3.3 Override Functions

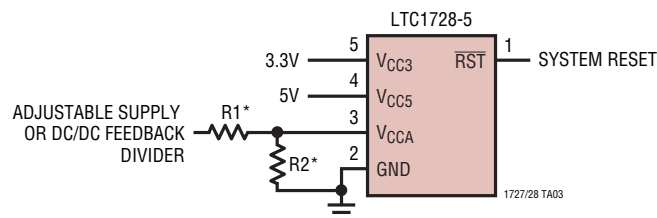
The  $V_{\text{CCA}}$  pin, if unused, can be tied to either  $V_{\text{CC3}}$  or  $V_{\text{CC25}}/V_{\text{CC18}}$ . This is an obvious solution since the trip points for  $V_{\text{CC3}}$  and  $V_{\text{CC25}}/V_{\text{CC18}}$  will always be greater than the trip point for  $V_{\text{CCA}}$ . Likewise, the  $V_{\text{CC25}}/V_{\text{CC18}}$ , if unused, can be tied to  $V_{\text{CC3}}$ .  $V_{\text{CC3}}$  must always be used. Tying  $V_{\text{CC3}}$  to  $V_{\text{CC25}}/V_{\text{CC18}}$  and operating off of a 2.5V/1.8V supply will result in the continuous assertion of  $\overline{\text{RST}}$ .



**Figure 5.  $\overline{\text{RST}}$  Output Voltage Characteristics of the Circuit in Figure 4**

## TYPICAL APPLICATIONS

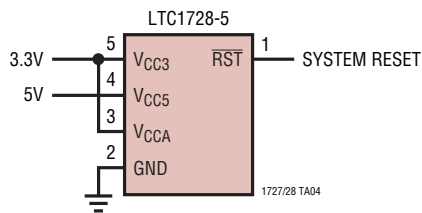
### Triple Supply Monitor (3.3V, 5V and Adjustable)



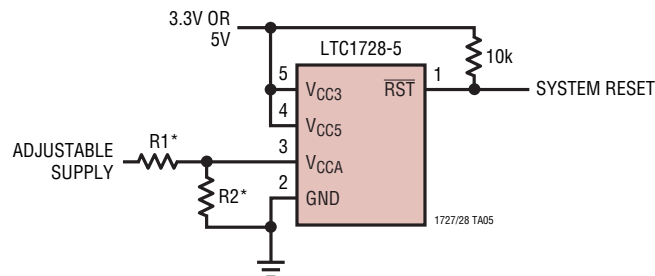
\*TO PRESERVE THRESHOLD ACCURACY, SET PARALLEL COMBINATION OF R1 AND R2  $\leq 66.5\text{k}$

## TYPICAL APPLICATIONS

### Dual Supply Monitor (3.3V and 5V, Defeat $V_{CCA}$ Input)



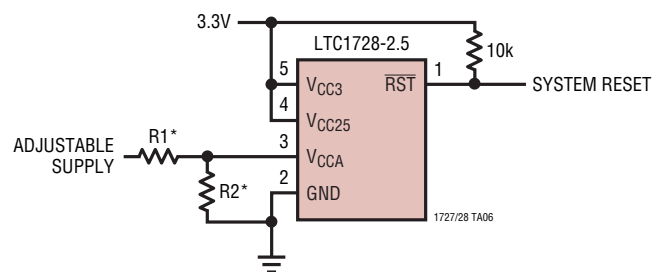
### Dual Supply Monitor (3.3V or 5V Plus Adjustable)



\*TO PRESERVE THRESHOLD ACCURACY, SET PARALLEL COMBINATION OF  $R1$  AND  $R2 \leq 66.5k$

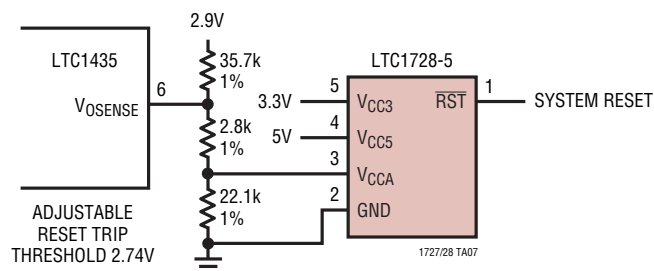
REFER TO LTC1728-5 OVERRIDE FUNCTIONS IN THE APPLICATIONS INFORMATION SECTION

### Dual Supply Monitor (3.3V Plus Adjustable)



\*TO PRESERVE THRESHOLD ACCURACY, SET PARALLEL COMBINATION OF  $R1$  AND  $R2 \leq 66.5k$

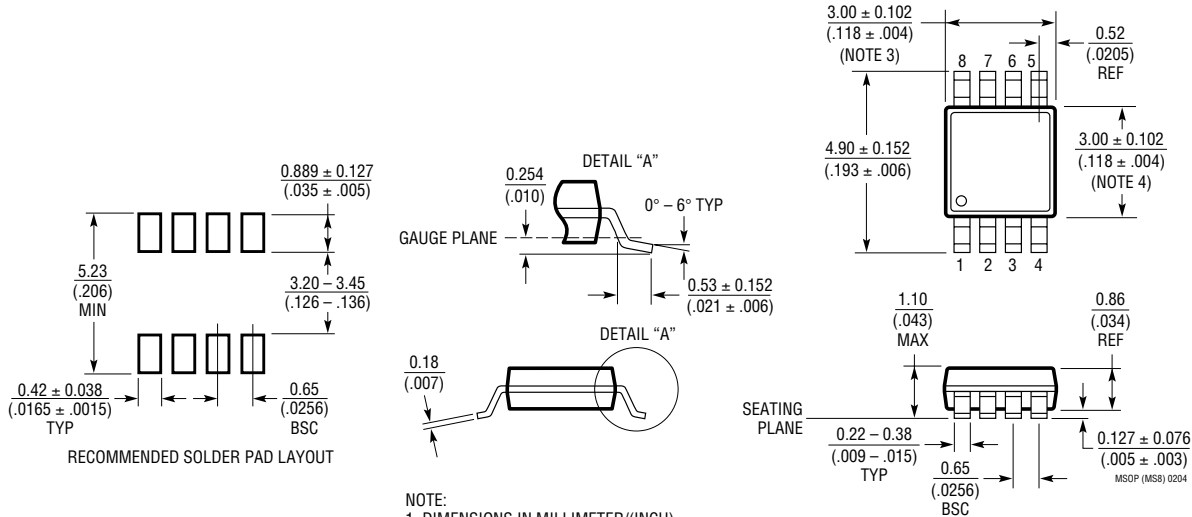
### Using $V_{CCA}$ Tied to DC/DC Feedback Divider



## PACKAGE DESCRIPTION

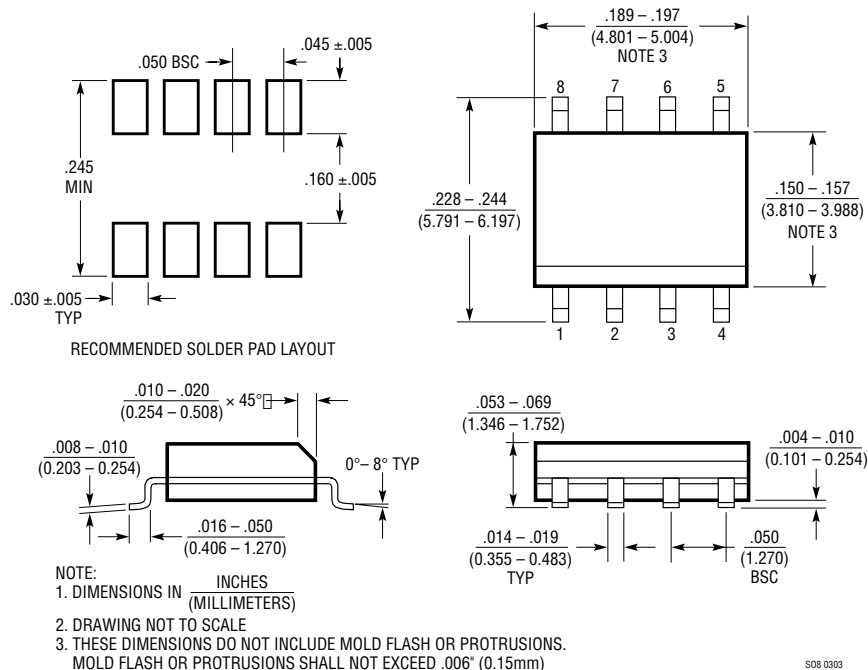
### MS8 Package 8-Lead Plastic MSOP

(Reference LTC DWG # 05-08-1660)



### S8 Package 8-Lead Plastic Small Outline (Narrow 0.150)

(Reference LTC DWG # 05-08-1610)



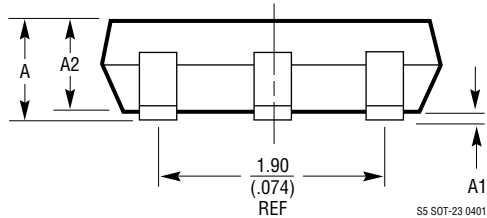
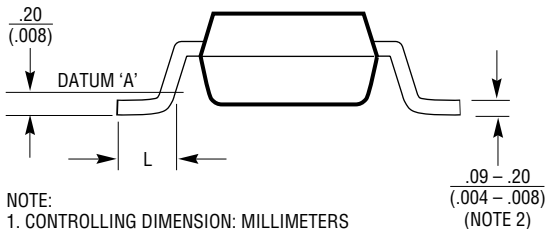
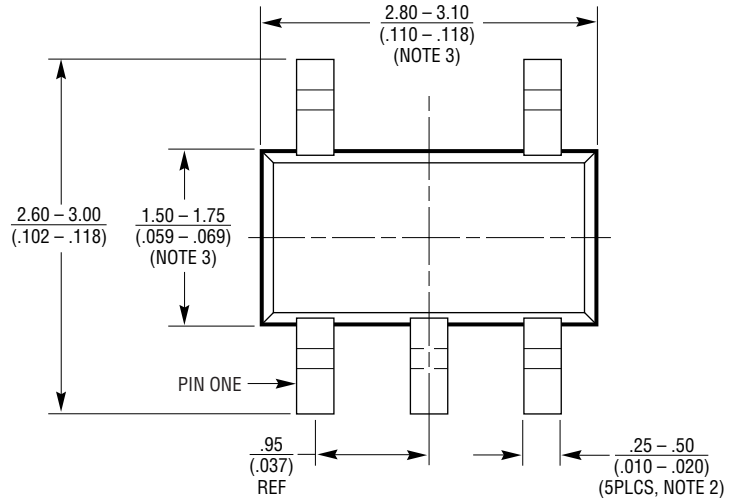
S08 0303

PACKAGE DESCRIPTION

S5 Package  
5-Lead Plastic SOT-23

(Reference LTC DWG # 05-08-1633)  
(Reference LTC DWG # 05-08-1635)

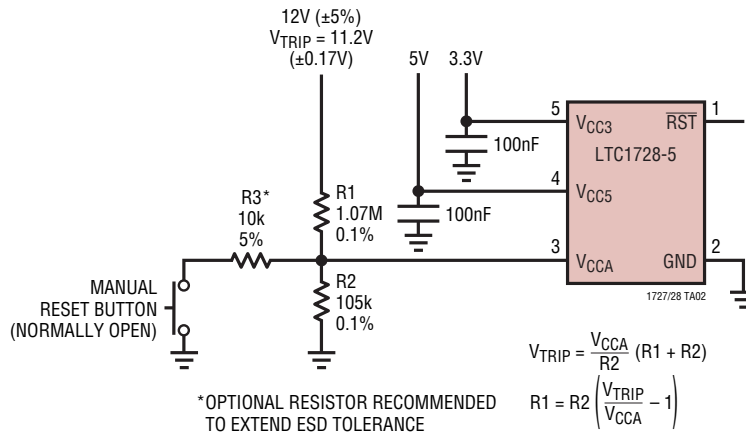
|    | SOT-23<br>(Original)        | SOT-23<br>(ThinSOT)                |
|----|-----------------------------|------------------------------------|
| A  | .90 - 1.45<br>(.035 - .057) | 1.00 MAX<br>(.039 MAX)             |
| A1 | .00 - .15<br>(.00 - .006)   | .01 - .10<br>(.0004 - .004)        |
| A2 | .90 - 1.30<br>(.035 - .051) | .80 - .90<br>(.031 - .035)         |
| L  | .35 - .55<br>(.014 - .021)  | .30 - .50 REF<br>(.012 - .019 REF) |



- NOTE:
1. CONTROLLING DIMENSION: MILLIMETERS
  2. DIMENSIONS ARE IN  $\frac{\text{MILLIMETERS}}{\text{INCHES}}$
  3. DRAWING NOT TO SCALE
  4. DIMENSIONS ARE INCLUSIVE OF PLATING
  5. DIMENSIONS ARE EXCLUSIVE OF MOLD FLASH AND METAL BURR
  6. MOLD FLASH SHALL NOT EXCEED .254mm
  7. PACKAGE EIAJ REFERENCE IS:  
SC-74A (EIAJ) FOR ORIGINAL  
JEDEC MO-193 FOR THIN

## TYPICAL APPLICATION

### Triple Supply Monitor with Manual Reset Button



## RELATED PARTS

| PART NUMBER                | DESCRIPTION   | COMMENTS  |
|----------------------------|---|---|
| LTC690                     | 5V Supply Monitor, Watchdog Timer and Battery Backup              | 4.65V Threshold   |
| LTC694-3.3                 | 3.3V Supply Monitor, Watchdog Timer and Battery Backup            | 2.9V Threshold  |
| LTC699                     | 5V Supply Monitor and Watchdog Timer                              | 4.65V Threshold   |
| LTC1232                    | 5V Supply Monitor, Watchdog Timer and Push-Button Reset           | 4.37V/4.62V Threshold   |
| LTC1326                    | Micropower Precision Triple Supply Monitor for 5V, 3.3V and ADJ   | 4.725V, 3.118V, 1V Thresholds ( $\pm 0.75\%$ )  |
| LTC1326-2.5                | Micropower Precision Triple Supply Monitor for 2.5V, 3.3V and ADJ | 2.363V, 3.118V, 1V Thresholds ( $\pm 0.75\%$ )  |
| LTC1443/LTC1444<br>LTC1445 | Micropower Quad Comparators with 1% Reference                     | LTC1443 Has 1.182V Reference, LTC1444/LTC1445 Have 1.221V Reference and Adjustable Hysteresis |
| LTC1536                    | Precision Triple Supply Monitor for PCI Applications              | Meets PCI $t_{FAIL}$ Timing Specifications  |
| LTC1540                    | Nanopower Comparator with 2% Reference                            | 1.182V Reference, 300nA Supply Current, 8-Pin MSOP  |
| LTC1726-2.5                | Micropower Triple Supply Monitor for 2.5V, 3.3V and ADJ           | Adjustable $\overline{RESET}$ and Watchdog Time Outs  |
| LTC1726-5                  | Micropower Triple Supply Monitor for 5V, 3.3V and ADJ             | Adjustable $\overline{RESET}$ and Watchdog Time Outs  |
| LTC1985-1.8                | Micropower Triple Supply Monitor for 3.3V, 1.8V and ADJ           | Push-Pull $\overline{RESET}$ Output, SOT-23   |