

LPV7215

580 nA Rail-to-Rail Input and Output, 1.8V, Push-Pull Output Comparator

General Description

The LPV7215 is an ultra low-power comparator with a typical power supply current of 580 nA. It has the best-in-class power supply current versus propagation delay performance available among National's low-power comparators. The propagation delay is as low as 4.5 microseconds with 100 mV overdrive at 1.8V supply.

Designed to operate over a wide range of supply voltages, from 1.8V to 5.5V, the LPV7215, with guaranteed operation at 1.8V, 2.7V and 5.0V, is ideal for use in a variety of battery-powered applications. With rail-to-rail common mode voltage range, the LPV7215 is well suited for single-supply operation.

Featuring a push-pull output stage, the LPV7215 allows for operation with absolute minimum power consumption when driving any capacitive or resistive load.

With an operating temperature range of -40°C to 125°C , this comparator can be adopted for extreme temperature applications. Available in a choice of space-saving packages, the LPV7215 is ideal for use in handheld electronics and mobile phone applications. The LPV7215 is manufactured with National's advanced VIP50 process.

Features

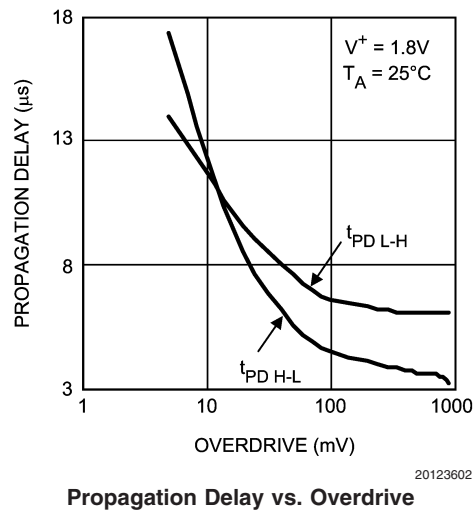
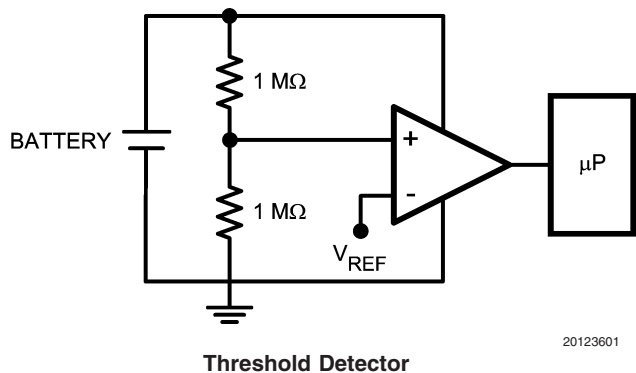
(Typical unless otherwise noted)

- Ultra low power consumption 580 nA
- Wide supply voltage range 1.8V to 5.5V
- Propagation delay 4.5 μs
- Push-Pull output current drive 19 mA
- Temperature range -40°C to 125°C
- Rail-to-rail input
- Tiny SOT23-5 and SC70-5 packages

Applications

- Laptop computers
- Mobile phones
- RC timers
- Alarm and monitoring circuits
- Window comparators
- Multivibrators

Typical Application



Absolute Maximum Ratings (Note 1)

If Military/Aerospace specified devices are required, please contact the National Semiconductor Sales Office/Distributors for availability and specifications.

ESD Tolerance (Note 2)	
Human Body	2000V
Machine Model	200V
V _{IN} Differential	±2.5V
Supply Voltage (V ⁺ - V ⁻)	6V
Voltage at Input/Output pins	V ⁺ +0.3V, V ⁻ -0.3V
Storage Temperature Range	-65°C to +150°C
Junction Temperature (Note 3)	+150°C

Soldering Information

Infrared or Convection (20 sec)	235°C
Wave Soldering Lead Temp. (10 sec)	260°C

Operating Ratings (Note 1)

Temperature Range (Note 3)	-40°C to +125°C
Supply Voltage (V ⁺ - V ⁻)	1.8V to 5.5V
Package Thermal Resistance (θ _{JA} (Note 3))	
5-Pin SOT23	234°C/W
5-Pin SC70	456°C/W

1.8V Electrical Characteristics (Note 8)

Unless otherwise specified, all limits are guaranteed for T_J = 25°C, V⁺ = 1.8V, V⁻ = 0V, and V_{CM} = V⁺/2, V_O = V⁻. **Boldface** limits apply at the temperature extremes.

Symbol	Parameter	Conditions	Min (Note 5)	Typ (Note 4)	Max (Note 5)	Units
I _S	Supply Current	V _{CM} = 0.3V, T _A = 25°C			645	nA
		V _{CM} = 0.3V, -40°C to 85°C		580	681	
		V _{CM} = 0.3V, -40°C to 125°C			980	
		V _{CM} = 1.5V, T _A = 25°C			875	
		V _{CM} = 1.5V, -40°C to 85°C		790	912	
		V _{CM} = 1.5V, -40°C to 125°C			1155	
V _{OS}	Input Offset Voltage	V _{CM} = 0V V _{CM} = 1.8V		±0.3	±3 ±4	mV
TC V _{OS}	Input Offset Average Drift	(Note 7)		±2		µV/C
I _B	Input Bias Current (Note 6)	V _{CM} = 0.5V		-5		fA
		V _{CM} = 1.3V				
I _{OS}	Input Offset Current			1		fA
CMRR	Common Mode Rejection Ratio	V _{CM} Stepped from 0V to 0.7V V _{CM} Stepped from 1.2V to 1.8V	80	90		dB
PSRR	Power Supply Rejection Ratio	V ⁺ = 1.8V to 5V, V _{CM} = 0V	75	93		dB
CMVR	Input Common-Mode Voltage Range	CMRR ≥ 50 dB	1.8		0	V
A _V	Voltage Gain			120		dB
V _O	Output Swing High	I _O = 500 µA		1.68		V
		I _O = 1 mA		1.54		
	Output Swing Low	I _O = -500 µA		120		mV
		I _O = -1 mA		260		
I _{OUT}	Output Current	Source	2.0	2.26		mA
		Sink	2.7	3.1		
	Propagation Delay (High to Low)	Overdrive = 10 mV Overdrive = 100 mV		13 4.5		µs
	Propagation Delay (Low to High)	Overdrive = 10 mV Overdrive = 100 mV		12.5 6.6		µs
t _{rise}	Rise Time	Overdrive = 10 mV C _L = 30 pF, R _L = 1 MΩ		80		ns
		Overdrive = 100 mV C _L = 30 pF, R _L = 1 MΩ		80		

1.8V Electrical Characteristics (Note 8) (Continued)

Unless otherwise specified, all limits are guaranteed for $T_J = 25^\circ\text{C}$, $V^+ = 1.8\text{V}$, $V^- = 0\text{V}$, and $V_{CM} = V^+/2$, $V_O = V^-$. **Boldface** limits apply at the temperature extremes.

Symbol	Parameter	Conditions	Min (Note 5)	Typ (Note 4)	Max (Note 5)	Units
t_{fall}	Fall Time	Overdrive = 10 mV $C_L = 30\text{ pF}$, $R_L = 1\text{ M}\Omega$		70		ns
		Overdrive = 100 mV $C_L = 30\text{ pF}$, $R_L = 1\text{ M}\Omega$		70		

2.7V Electrical Characteristics (Note 8)

Unless otherwise specified, all limits are guaranteed for $T_J = 25^\circ\text{C}$, $V^+ = 2.7\text{V}$, $V^- = 0\text{V}$, and $V_{CM} = V^+/2$, $V_O = V^-$. **Boldface** limits apply at the temperature extremes.

Symbol	Parameter	Conditions	Min (Note 5)	Typ (Note 4)	Max (Note 5)	Units
I_S	Supply Current	$V_{CM} = 0.3\text{V}$, $T_A = 25^\circ\text{C}$			670	nA
		$V_{CM} = 0.3\text{V}$, -40°C to 85°C		605	707	
		$V_{CM} = 0.3\text{V}$, -40°C to 125°C			1005	
		$V_{CM} = 2.4\text{V}$, $T_A = 25^\circ\text{C}$			905	
		$V_{CM} = 2.4\text{V}$, -40°C to 85°C		815	940	
		$V_{CM} = 2.4\text{V}$, -40°C to 125°C			1220	
V_{OS}	Input Offset Voltage	$V_{CM} = 0\text{V}$		± 0.3	± 3	mV
		$V_{CM} = 2.7\text{V}$			± 4	
TC V_{OS}	Input Offset Average Drift	(Note 7)		± 1		$\mu\text{V}/\text{C}$
I_B	Input Bias Current (Note 6)	$V_{CM} = 0.5\text{V}$		-5		fA
		$V_{CM} = 2.2\text{V}$				
I_{OS}	Input Offset Current			1		fA
CMRR	Common Mode Rejection Ratio	V_{CM} Stepped from 0V to 1.6V	80	90		dB
		V_{CM} Stepped from 2.1V to 2.7V				
PSRR	Power Supply Rejection Ratio	$V^+ = 1.8\text{V}$ to 5V , $V_{CM} = 0\text{V}$	75	93		dB
CMVR	Input Common-Mode Voltage Range	CMRR $\geq 50\text{ dB}$	2.7		0	V
A_V	Voltage Gain			120		dB
V_O	Output Swing High	$I_O = 500\text{ }\mu\text{A}$		2.62		V
		$I_O = 1\text{ mA}$		2.54		
	Output Swing Low	$I_O = -500\text{ }\mu\text{A}$		80		mV
		$I_O = -1\text{ mA}$		160		
I_{OUT}	Output Current	Source	5.3	5.7		mA
		Sink	6	7.5		
	Propagation Delay (High to Low)	Overdrive = 10 mV		14.5		μs
		Overdrive = 100 mV		6		
	Propagation Delay (Low to High)	Overdrive = 10 mV		15		
		Overdrive = 100 mV		8		
t_{rise}	Rise time	Overdrive = 10 mV $C_L = 30\text{ pF}$, $R_L = 1\text{ M}\Omega$		90		ns
		Overdrive = 100 mV $C_L = 30\text{ pF}$, $R_L = 1\text{ M}\Omega$		85		
		Overdrive = 100 mV $C_L = 30\text{ pF}$, $R_L = 1\text{ M}\Omega$		75		
t_{fall}	Fall time	Overdrive = 10 mV $C_L = 30\text{ pF}$, $R_L = 1\text{ M}\Omega$		85		ns
		Overdrive = 100 mV $C_L = 30\text{ pF}$, $R_L = 1\text{ M}\Omega$		75		
		Overdrive = 100 mV $C_L = 30\text{ pF}$, $R_L = 1\text{ M}\Omega$				

5V Electrical Characteristics (Note 8)

Unless otherwise specified, all limits are guaranteed for $T_J = 25^\circ\text{C}$, $V^+ = 5\text{V}$, $V^- = 0\text{V}$, and $V_{\text{CM}} = V^+/2$, $V_{\text{O}} = V^-$. **Boldface** limits apply at the temperature extremes.

Symbol	Parameter	Conditions	Min (Note 5)	Typ (Note 4)	Max (Note 5)	Units
I_{S}	Supply Current	$V_{\text{CM}} = 0.3\text{V}$, $T_{\text{A}} = 25^\circ\text{C}$		612	677	nA
		$V_{\text{CM}} = 0.3\text{V}$, -40°C to 85°C			740	
		$V_{\text{CM}} = 0.3\text{V}$, -40°C to 125°C			1240	
		$V_{\text{CM}} = 4.7\text{V}$, $T_{\text{A}} = 25^\circ\text{C}$		825	920	
		$V_{\text{CM}} = 4.7\text{V}$, -40°C to 85°C			970	
		$V_{\text{CM}} = 4.7\text{V}$, -40°C to 125°C			1450	
V_{OS}	Input Offset Voltage	$V_{\text{CM}} = 0\text{V}$		± 0.3	± 3	mV
		$V_{\text{CM}} = 5\text{V}$			± 4	
TC V_{OS}	Input Offset Average Drift	(Note 7)		± 1		$\mu\text{V}/\text{C}$
I_{B}	Input Bias Current (Note 6)	$V_{\text{CM}} = 0.5\text{V}$		-5		fA
		$V_{\text{CM}} = 4.5\text{V}$				
I_{OS}	Input Offset Current			1		fA
CMRR	Common Mode Rejection Ratio	V_{CM} Stepped from 0V to 3.9V	80	90		dB
		V_{CM} Stepped from 4.4V to 5V				
PSRR	Power Supply Rejection Ratio	$V^+ = 1.8\text{V}$ to 5V , $V_{\text{CM}} = 0\text{V}$	75	93		dB
CMVR	Input Common-Mode Voltage Range	CMRR ≥ 50 dB	5		0	V
V_{O}	Output Swing High	$I_{\text{O}} = 500 \mu\text{A}$		4.95		V
		$I_{\text{O}} = 1 \text{mA}$		4.9		
	Output Swing Low	$I_{\text{O}} = -500 \mu\text{A}$		50		mV
		$I_{\text{O}} = -1 \text{mA}$		100		
I_{OUT}	Output Current	Source	15.5	17		mA
		Sink	16.7	19		
	Propagation Delay (High to Low)	Overdrive = 10 mV		18		μs
		Overdrive = 100 mV		8		
	Propagation Delay (Low to High)	Overdrive = 10 mV		30		μs
		Overdrive = 100 mV		13		
t_{rise}	Rise Time	Overdrive = 10 mV		100		ns
		$C_{\text{L}} = 30 \text{pF}$, $R_{\text{L}} = 1 \text{M}\Omega$				
	Fall Time	Overdrive = 10 mV		115		ns
		$C_{\text{L}} = 30 \text{pF}$, $R_{\text{L}} = 1 \text{M}\Omega$				
t_{fall}	Fall Time	Overdrive = 10 mV		95		ns
		$C_{\text{L}} = 30 \text{pF}$, $R_{\text{L}} = 1 \text{M}\Omega$				

Note 1: Absolute Maximum Ratings indicate limits beyond which damage to the device may occur. Operating Ratings indicate conditions for which the device is intended to be functional, but specific performance is not guaranteed. For guaranteed specifications and the test conditions, see the Electrical Characteristics Tables.

Note 2: Human body model, 1.5 k Ω in series with 100 pF. Machine model: 0 Ω in series with 200 pF.

Note 3: The maximum power dissipation is a function of $T_{\text{J(MAX)}}$, θ_{JA} , and T_{A} . The maximum allowable power dissipation at any ambient temperature is $P_{\text{D}} = (T_{\text{J(MAX)}} - T_{\text{A}}) / \theta_{\text{JA}}$. All numbers apply for packages soldered directly onto a PC board at the time of characterization.

Note 4: Typical values represent the most likely parametric norm.

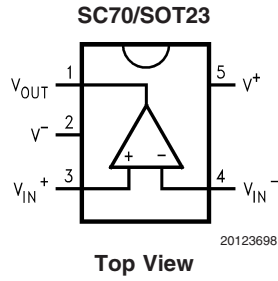
Note 5: Limits are 100% production tested at 25 $^\circ\text{C}$. Limits over the operating temperature range are guaranteed through correlations using statistical quality control (SQC) method.

Note 6: Positive current corresponds to current flowing into the device.

Note 7: Offset voltage average drift determined by dividing the change in V_{OS} at temperature extremes into the total temperature change.

Note 8: Electrical table values apply only for factory testing conditions at the temperature indicated. Factory testing conditions result in very limited self-heating of the device.

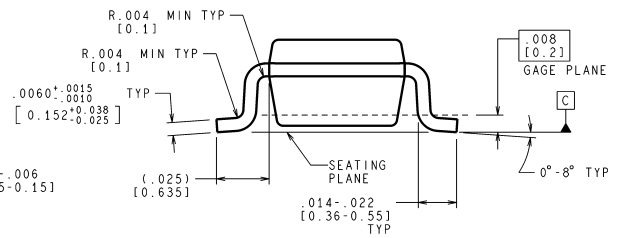
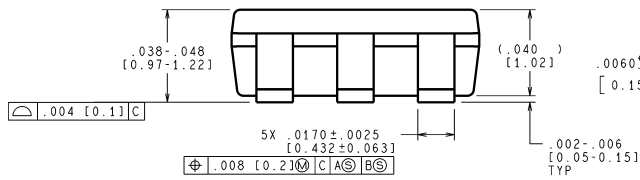
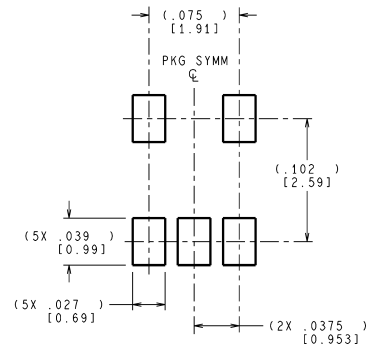
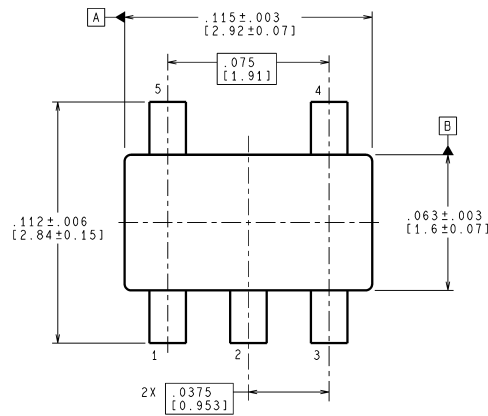
Connection Diagram



Ordering Information

Package	Part Number	Package Marking	Transport Media	NSC Drawing
5-Pin SOT-23	LPV7215MF	C30A	1k Units Tape and Reel	MF05A
	LPV7215MFX		3k Units Tape and Reel	
5-Pin SC70	LPV7215MG	C37	1k Units Tape and Reel	MAA05A
	LPV7215MGX		3k Units Tape and Reel	

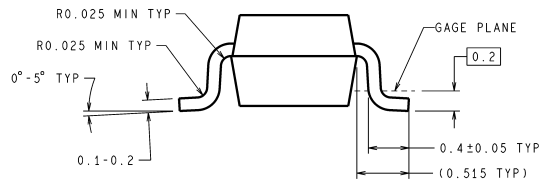
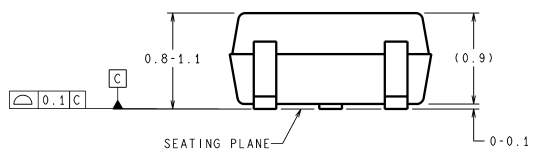
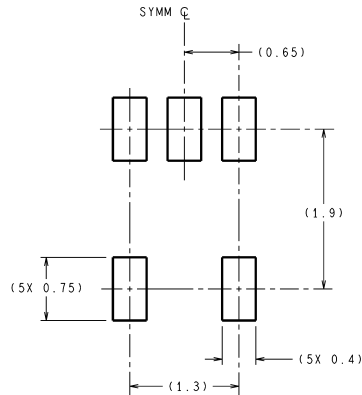
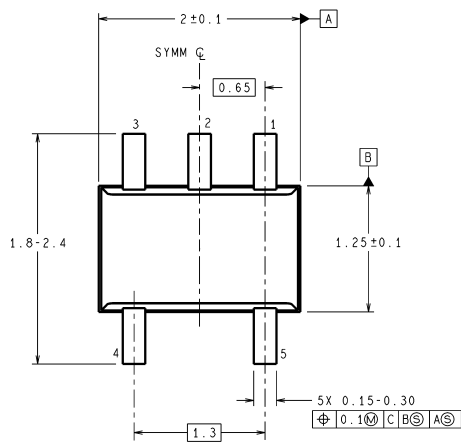
Physical Dimensions inches (millimeters) unless otherwise noted



CONTROLLING DIMENSION IS INCH
VALUES IN [] ARE MILLIMETERS

MF05A (Rev B)

5-Pin SOT23
NS Package Number MF05A



DIMENSIONS ARE IN MILLIMETERS

MAA05A (Rev C)

5-Pin SC70
NS Package Number MAA05A

Notes

National does not assume any responsibility for use of any circuitry described, no circuit patent licenses are implied and National reserves the right at any time without notice to change said circuitry and specifications.
 For the most current product information visit us at www.national.com.

LIFE SUPPORT POLICY

NATIONAL'S PRODUCTS ARE NOT AUTHORIZED FOR USE AS CRITICAL COMPONENTS IN LIFE SUPPORT DEVICES OR SYSTEMS WITHOUT THE EXPRESS WRITTEN APPROVAL OF THE PRESIDENT AND GENERAL COUNSEL OF NATIONAL SEMICONDUCTOR CORPORATION. As used herein:

- | | |
|--|---|
| <p>1. Life support devices or systems are devices or systems which, (a) are intended for surgical implant into the body, or (b) support or sustain life, and whose failure to perform when properly used in accordance with instructions for use provided in the labeling, can be reasonably expected to result in a significant injury to the user.</p> | <p>2. A critical component is any component of a life support device or system whose failure to perform can be reasonably expected to cause the failure of the life support device or system, or to affect its safety or effectiveness.</p> |
|--|---|

BANNED SUBSTANCE COMPLIANCE

National Semiconductor manufactures products and uses packing materials that meet the provisions of the Customer Products Stewardship Specification (CSP-9-111C2) and the Banned Substances and Materials of Interest Specification (CSP-9-111S2) and contain no "Banned Substances" as defined in CSP-9-111S2.
 Leadfree products are RoHS compliant.



National Semiconductor
Americas Customer
Support Center
 Email: new.feedback@nsc.com
 Tel: 1-800-272-9959

National Semiconductor
Europe Customer Support Center
 Fax: +49 (0) 180-530 85 86
 Email: europe.support@nsc.com
 Deutsch Tel: +49 (0) 69 9508 6208
 English Tel: +44 (0) 870 24 0 2171
 Français Tel: +33 (0) 1 41 91 8790

National Semiconductor
Asia Pacific Customer
Support Center
 Email: ap.support@nsc.com

National Semiconductor
Japan Customer Support Center
 Fax: 81-3-5639-7507
 Email: jpn.feedback@nsc.com
 Tel: 81-3-5639-7560