

## LP2998 DDR-I and DDR-II Termination Regulator

Check for Samples: [LP2998](#)

### FEATURES

- Source and Sink Current
- Low Output Voltage Offset
- No External Resistors Required
- Linear Topology
- Suspend to Ram (STR) Functionality
- Low External Component Count
- Thermal Shutdown
- Available in SOIC-8, SO PowerPAD-8 Packages

### APPLICATIONS

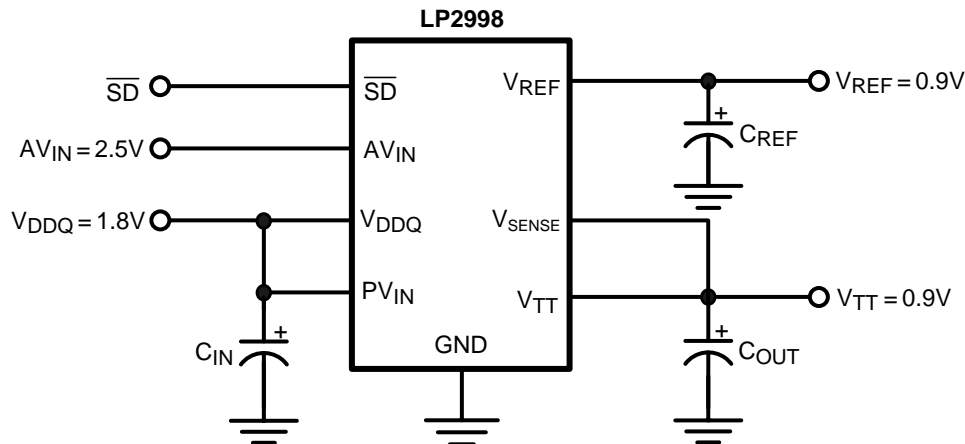
- DDR-I, DDR-II and DDR-III Termination Voltage
- SSTL-18 Termination
- SSTL-2 and SSTL-3 Termination
- HSTL Termination

### DESCRIPTION

The LP2998 linear regulator is designed to meet JEDEC SSTL-2 and JEDEC SSTL-18 specifications for termination of DDR1-SDRAM and DDR-II memory. The device contains a high-speed operational amplifier to provide excellent response to load transients. The output stage prevents shoot through while delivering 1.5A continuous current as required for DDR1-SDRAM termination, and 0.5A continuous current as required for DDR-II termination. The LP2998 also incorporates a  $V_{SENSE}$  pin to provide superior load regulation and a  $V_{REF}$  output as a reference for the chipset and DIMMs.

An additional feature found on the LP2998 is an active low shutdown ( $\overline{SD}$ ) pin that provides Suspend To RAM (STR) functionality. When  $\overline{SD}$  is pulled low, the  $V_{TT}$  output will tri-state providing a high impedance output, while  $V_{REF}$  remains active. A power savings advantage can be obtained in this mode through lower quiescent current.

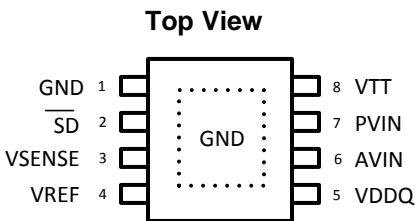
### Typical Application Circuit



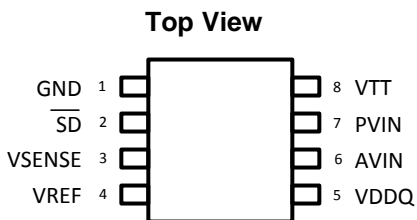
Please be aware that an important notice concerning availability, standard warranty, and use in critical applications of Texas Instruments semiconductor products and disclaimers thereto appears at the end of this data sheet.

All trademarks are the property of their respective owners.

## Connection Diagrams



**Figure 1. SO PowerPAD-8 Package**  
See Package Number DDA0008A



**Figure 2.**  
**SOIC-8 Package**  
See Package Number D0008A

### Pin Descriptions

SOIC-8 Pin or SO PowerPAD-8 Pin	Name	Function
1	GND	Ground.
2	$\overline{\text{SD}}$	Shutdown.
3	VSENSE	Feedback pin for regulating $V_{\text{TT}}$ .
4	VREF	Buffered internal reference voltage of $V_{\text{DDQ}}/2$ .
5	VDDQ	Input for internal reference equal to $V_{\text{DDQ}}/2$ .
6	AVIN	Analog input pin.
7	PVIN	Power input pin.
8	VTT	Output voltage for connection to termination resistors.
	EP	Exposed pad thermal connection. Connect to Ground (SO PowerPAD-8 only).



These devices have limited built-in ESD protection. The leads should be shorted together or the device placed in conductive foam during storage or handling to prevent electrostatic damage to the MOS gates.

**Absolute Maximum Ratings** <sup>(1)(2)</sup>

AVIN to GND	-0.3V to +6V
PVIN to GND	-0.3V to AVIN
VDDQ <sup>(3)</sup>	-0.3V to +6V
Storage Temp. Range	-65°C to +150°C
Junction Temperature	150°C
Lead Temperature (Soldering, 10 sec)	260°C
SOIC-8 Thermal Resistance ( $\theta_{JA}$ )	151°C/W
SO PowerPAD-8 Thermal Resistance ( $\theta_{JA}$ )	43°C/W
Minimum ESD Rating <sup>(4)</sup>	1kV

- (1) Absolute maximum ratings indicate limits beyond which damage to the device may occur. Operating range indicates conditions for which the device is intended to be functional, but does not ensure specific performance limits. For ensured specifications and test conditions see Electrical Characteristics. The ensured specifications apply only for the test conditions listed. Some performance characteristics may degrade when the device is not operated under the listed test conditions.
- (2) If Military/Aerospace specified devices are required, please contact the Texas Instruments Sales Office/ Distributors for availability and specifications.
- (3) VDDQ voltage must be less than  $2 \times (AVIN - 1)$  or 6V, whichever is smaller.
- (4) The human body model is a 100 pF capacitor discharged through a 1.5 k $\Omega$  resistor into each pin.

**Operating Range**

Junction Temp. Range <sup>(1)</sup>	-40°C to +125°C
AVIN to GND	2.2V to 5.5V

- (1) At elevated temperatures, devices must be derated based on thermal resistance. The device in the SOIC-8 package must be derated at  $\theta_{JA} = 151.2^\circ \text{C/W}$  junction to ambient with no heat sink.

**Electrical Characteristics**

Specifications with standard typeface are for  $T_J = 25^\circ\text{C}$  and limits in **boldface type** apply over the full **Operating Temperature Range** ( $T_J = -40^\circ\text{C}$  to  $+125^\circ\text{C}$ ) <sup>(1)</sup>. Unless otherwise specified,  $V_{IN} = AVIN = PVIN = 2.5\text{V}$ .

Parameter		Test Conditions	Min	Typ	Max	Units
$V_{REF}$	$V_{REF}$ Voltage (DDR I)	$V_{IN} = VDDQ = 2.3\text{V}$	<b>1.135</b>	1.158	<b>1.185</b>	V
		$V_{IN} = VDDQ = 2.5\text{V}$	<b>1.235</b>	1.258	<b>1.285</b>	V
		$V_{IN} = VDDQ = 2.7\text{V}$	<b>1.335</b>	1.358	<b>1.385</b>	V
	$V_{REF}$ Voltage (DDR II)	$PVIN = VDDQ = 1.7\text{V}$	<b>0.837</b>	0.860	<b>0.887</b>	V
		$PVIN = VDDQ = 1.8\text{V}$	<b>0.887</b>	0.910	<b>0.937</b>	V
		$PVIN = VDDQ = 1.9\text{V}$	<b>0.936</b>	0.959	<b>0.986</b>	V
	$V_{REF}$ Voltage (DDR III)	$PVIN = VDDQ = 1.35\text{V}$	<b>0.669</b>	0.684	<b>0.699</b>	V
$PVIN = VDDQ = 1.5\text{V}$		<b>0.743</b>	0.758	<b>0.773</b>	V	
$PVIN = VDDQ = 1.6\text{V}$		<b>0.793</b>	0.808	<b>0.823</b>	V	
$Z_{VREF}$	$V_{REF}$ Output Impedance	$I_{REF} = -30$ to $+30 \mu\text{A}$		2.5		k $\Omega$

- (1) Limits are 100% production tested at 25°C. Limits over the operating temperature range are specified through correlation using Statistical Quality Control (SQC) methods. The limits are used to calculate Average Outgoing Quality Level (AOQL).

## Electrical Characteristics (continued)

Specifications with standard typeface are for  $T_J = 25^\circ\text{C}$  and limits in **boldface type** apply over the full **Operating Temperature Range** ( $T_J = -40^\circ\text{C}$  to  $+125^\circ\text{C}$ )<sup>(1)</sup>. Unless otherwise specified,  $V_{IN} = A_{VIN} = P_{VIN} = 2.5\text{V}$ .

Parameter		Test Conditions	Min	Typ	Max	Units
$V_{TT}$	$V_{TT}$ Output Voltage (DDR I) <sup>(2)</sup>	$I_{OUT} = 0\text{A}$				
		$V_{IN} = V_{DDQ} = 2.3\text{V}$	<b>1.120</b>	1.159	<b>1.190</b>	V
		$V_{IN} = V_{DDQ} = 2.5\text{V}$	<b>1.210</b>	1.259	<b>1.290</b>	V
		$V_{IN} = V_{DDQ} = 2.7\text{V}$	<b>1.320</b>	1.359	<b>1.390</b>	V
		$I_{OUT} = \pm 1.5\text{A}$				
		$V_{IN} = V_{DDQ} = 2.3\text{V}$	<b>1.125</b>	1.159	<b>1.190</b>	V
		$V_{IN} = V_{DDQ} = 2.5\text{V}$	<b>1.225</b>	1.259	<b>1.290</b>	V
		$V_{IN} = V_{DDQ} = 2.7\text{V}$	<b>1.325</b>	1.359	<b>1.390</b>	V
	$V_{TT}$ Output Voltage (DDR II) <sup>(2)</sup>	$I_{OUT} = 0\text{A}, A_{VIN} = 2.5\text{V}$				
		$P_{VIN} = V_{DDQ} = 1.7\text{V}$	<b>0.822</b>	0.856	<b>0.887</b>	V
		$P_{VIN} = V_{DDQ} = 1.8\text{V}$	<b>0.874</b>	0.908	<b>0.939</b>	V
		$P_{VIN} = V_{DDQ} = 1.9\text{V}$	<b>0.923</b>	0.957	<b>0.988</b>	V
		$I_{OUT} = \pm 0.5\text{A}, A_{VIN} = 2.5\text{V}$				
		$P_{VIN} = V_{DDQ} = 1.7\text{V}$	<b>0.820</b>	0.856	<b>0.890</b>	V
		$P_{VIN} = V_{DDQ} = 1.8\text{V}$	<b>0.870</b>	0.908	<b>0.940</b>	V
		$P_{VIN} = V_{DDQ} = 1.9\text{V}$	<b>0.920</b>	0.957	<b>0.990</b>	V
	$V_{TT}$ Output Voltage (DDR III) <sup>(2)</sup>	$I_{OUT} = 0\text{A}, A_{VIN} = 2.5\text{V}$				
		$P_{VIN} = V_{DDQ} = 1.35\text{V}$	<b>0.656</b>	0.677	<b>0.698</b>	V
		$P_{VIN} = V_{DDQ} = 1.5\text{V}$	<b>0.731</b>	0.752	<b>0.773</b>	V
		$P_{VIN} = V_{DDQ} = 1.6\text{V}$	<b>0.781</b>	0.802	<b>0.823</b>	V
		$I_{OUT} = +0.2\text{A}, A_{VIN} = 2.5\text{V}$ $P_{VIN} = V_{DDQ} = 1.35\text{V}$	<b>0.667</b>	0.688	<b>0.710</b>	V
$I_{OUT} = -0.2\text{A}, A_{VIN} = 2.5\text{V}$ $P_{VIN} = V_{DDQ} = 1.35\text{V}$		<b>0.641</b>	0.673	<b>0.694</b>	V	
$I_{OUT} = +0.4\text{A}, A_{VIN} = 2.5\text{V}$ $P_{VIN} = V_{DDQ} = 1.5\text{V}$		<b>0.740</b>	0.763	<b>0.786</b>	V	
$I_{OUT} = -0.4\text{A}, A_{VIN} = 2.5\text{V}$ $P_{VIN} = V_{DDQ} = 1.5\text{V}$		<b>0.731</b>	0.752	<b>0.773</b>	V	
$I_{OUT} = +0.5\text{A}, A_{VIN} = 2.5\text{V}$ $P_{VIN} = V_{DDQ} = 1.6\text{V}$		<b>0.790</b>	0.813	<b>0.836</b>	V	
$I_{OUT} = -0.5\text{A}, A_{VIN} = 2.5\text{V}$ $P_{VIN} = V_{DDQ} = 1.6\text{V}$		<b>0.781</b>	0.802	<b>0.823</b>	V	
$V_{OS_{V_{TT}}}$	$V_{TT}$ Output Voltage Offset ( $V_{REF} - V_{TT}$ ) for DDR I <sup>(3)</sup>	$I_{OUT} = 0\text{A}$	<b>-30</b>	0	<b>30</b>	mV
		$I_{OUT} = -1.5\text{A}$	<b>-30</b>	0	<b>30</b>	mV
		$I_{OUT} = +1.5\text{A}$	<b>-30</b>	0	<b>30</b>	mV
	$V_{TT}$ Output Voltage Offset ( $V_{REF} - V_{TT}$ ) for DDR II <sup>(3)</sup>	$I_{OUT} = 0\text{A}$	<b>-30</b>	0	<b>30</b>	mV
		$I_{OUT} = -0.5\text{A}$	<b>-30</b>	0	<b>30</b>	mV
		$I_{OUT} = +0.5\text{A}$	<b>-30</b>	0	<b>30</b>	mV
	$V_{TT}$ Output Voltage Offset ( $V_{REF} - V_{TT}$ ) for DDR III <sup>(3)</sup>	$I_{OUT} = 0\text{A}$	<b>-30</b>	0	<b>30</b>	mV
		$I_{OUT} = \pm 0.2\text{A}$	<b>-30</b>	0	<b>30</b>	mV
		$I_{OUT} = \pm 0.4\text{A}$	<b>-30</b>	0	<b>30</b>	mV
$I_{OUT} = \pm 0.5\text{A}$		<b>-30</b>	0	<b>30</b>	mV	
$I_Q$	Quiescent Current <sup>(4)</sup>	$I_{OUT} = 0\text{A}$		320	<b>500</b>	$\mu\text{A}$
$Z_{V_{DDQ}}$	VDDQ Input Impedance			100		$\text{k}\Omega$
$I_{SD}$	Quiescent current in shutdown <sup>(4)</sup>	$SD = 0\text{V}$		115	<b>150</b>	$\mu\text{A}$

(2)  $V_{TT}$  load regulation is tested by using a 10 ms current pulse and measuring  $V_{TT}$ .

(3)  $V_{TT}$  load regulation is tested by using a 10 ms current pulse and measuring  $V_{TT}$ .

(4) Quiescent current is defined as the current flow into AVIN.

## Electrical Characteristics (continued)

Specifications with standard typeface are for  $T_J = 25^\circ\text{C}$  and limits in **boldface type** apply over the full **Operating Temperature Range** ( $T_J = -40^\circ\text{C}$  to  $+125^\circ\text{C}$ ) <sup>(1)</sup>. Unless otherwise specified,  $V_{IN} = AV_{IN} = PV_{IN} = 2.5\text{V}$ .

Parameter		Test Conditions	Min	Typ	Max	Units
$I_{Q\_SD}$	Shutdown leakage current	SD = 0V		2	<b>5</b>	$\mu\text{A}$
$V_{IH}$	Minimum Shutdown High Level		<b>1.9</b>			V
$V_{IL}$	Maximum Shutdown Low Level				<b>0.8</b>	V
$I_V$	$V_{TT}$ leakage current in shutdown	SD = 0V $V_{TT} = 1.25\text{V}$		1	<b>10</b>	$\mu\text{A}$
$I_{SENSE}$	$V_{SENSE}$ Input current			13		nA
$T_{SD}$	Thermal Shutdown <sup>(5)</sup>			165		$^\circ\text{C}$
$T_{SD\_HYS}$	Thermal Shutdown Hysteresis			10		$^\circ\text{C}$

- (5) The maximum allowable power dissipation is a function of the maximum junction temperature,  $T_{J(MAX)}$ , the junction to ambient thermal resistance,  $\theta_{JA}$ , and the ambient temperature,  $T_A$ . Exceeding the maximum allowable power dissipation will cause excessive die temperature and the regulator will go into thermal shutdown.

### Typical Performance Characteristics

Unless otherwise specified  $V_{IN} = A_{VIN} = P_{VIN} = 2.5V$

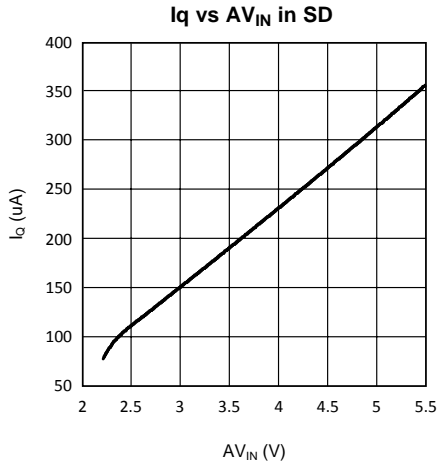


Figure 3.

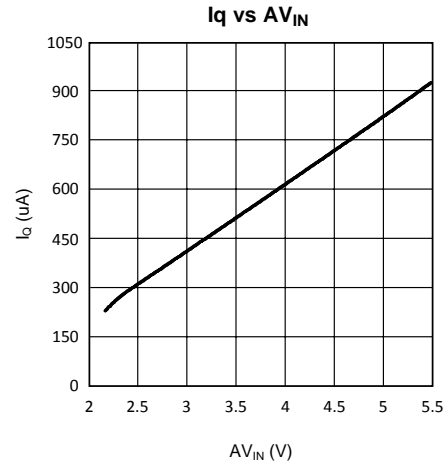


Figure 4.

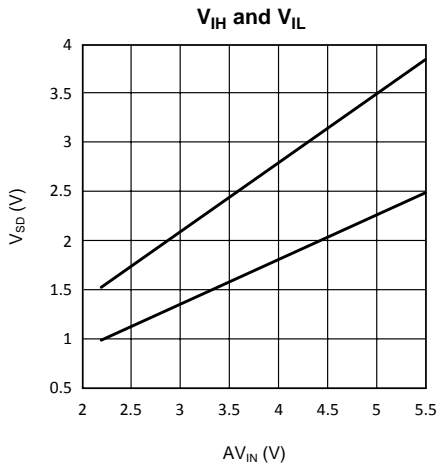


Figure 5.

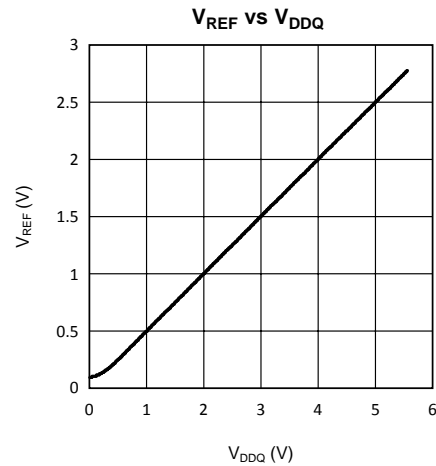


Figure 6.

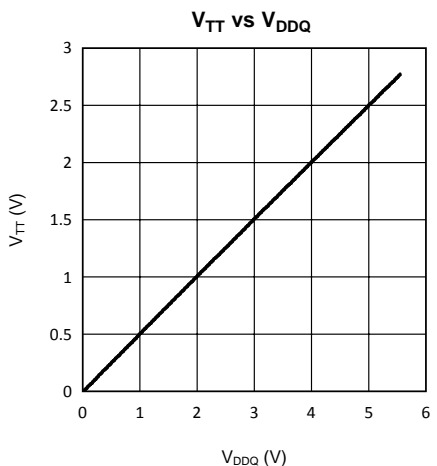


Figure 7.

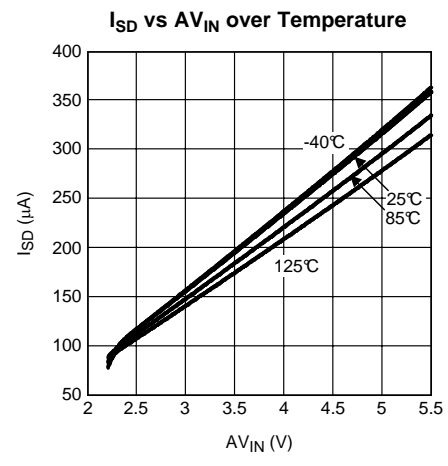


Figure 8.

Typical Performance Characteristics (continued)

Unless otherwise specified  $V_{IN} = A_{VIN} = P_{VIN} = 2.5V$

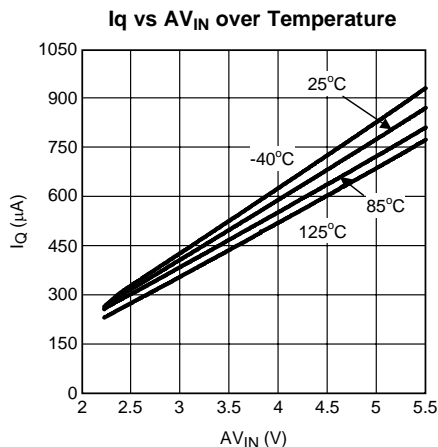


Figure 9.

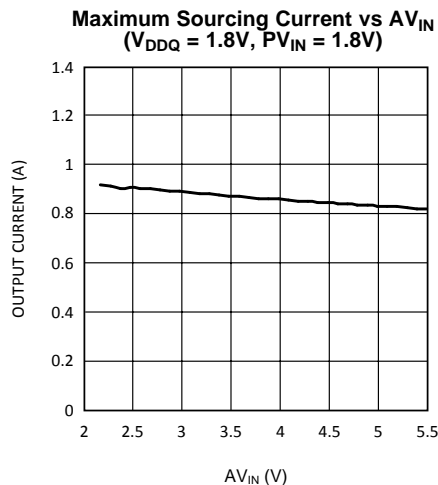


Figure 10.

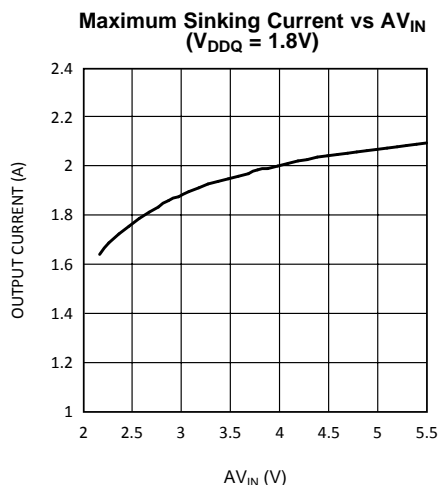


Figure 11.

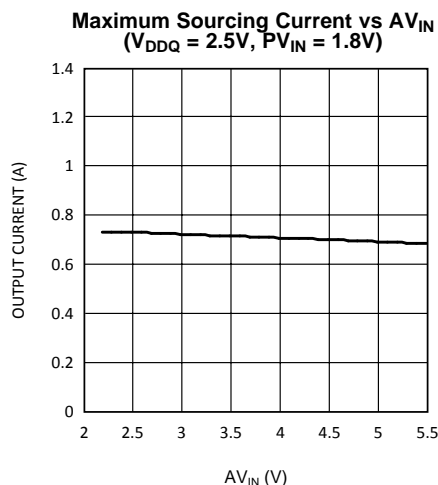


Figure 12.

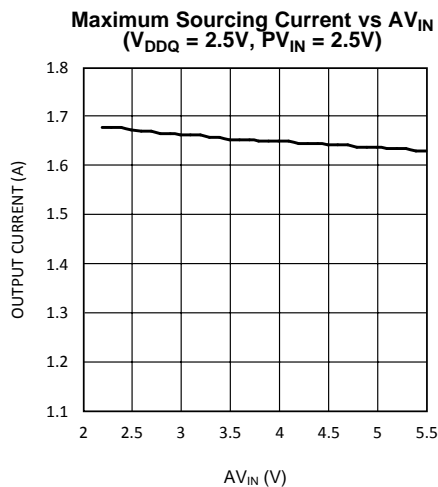


Figure 13.

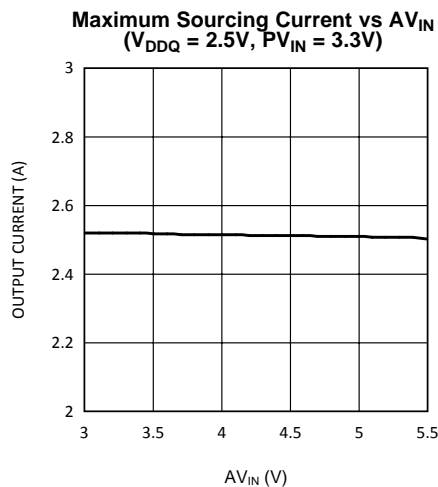
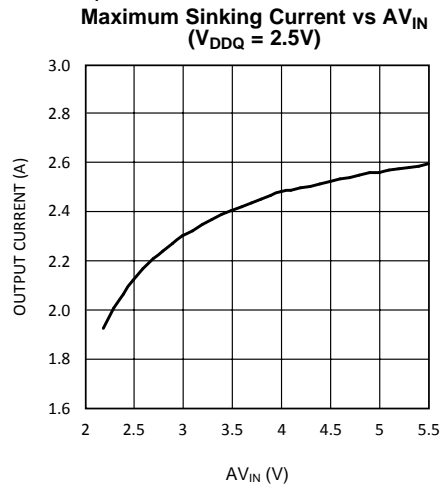


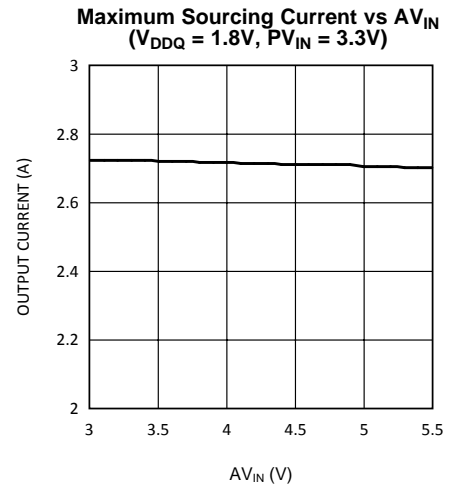
Figure 14.

**Typical Performance Characteristics (continued)**

Unless otherwise specified  $V_{IN} = A_{VIN} = P_{VIN} = 2.5V$



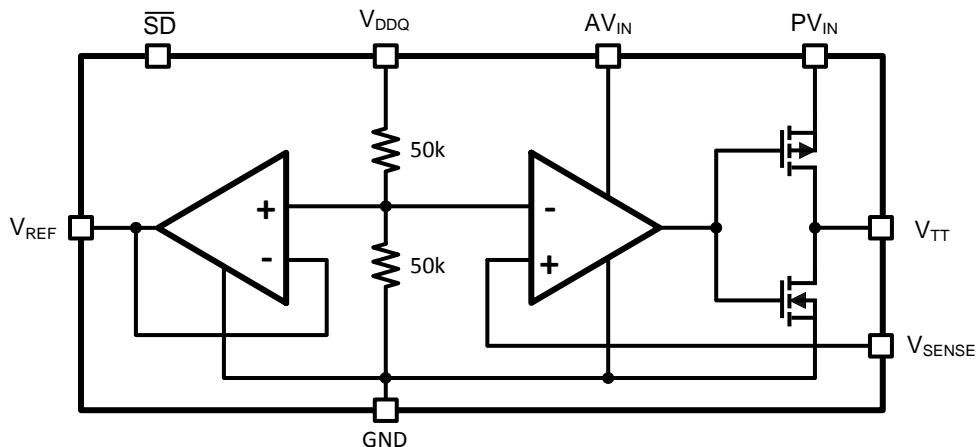
**Figure 15.**



**Figure 16.**



### Block Diagram



### DETAILED DESCRIPTION

The LP2998 is a linear bus termination regulator designed to meet the JEDEC requirements of SSTL-2 and SSTL-18. The output,  $V_{TT}$  is capable of sinking and sourcing current while regulating the output voltage equal to  $V_{DDQ} / 2$ . The output stage has been designed to maintain excellent load regulation while preventing shoot through. The LP2998 also incorporates two distinct power rails that separates the analog circuitry from the power output stage. This allows a split rail approach to be utilized to decrease internal power dissipation. It also permits the LP2998 to provide a termination solution for the next generation of DDR-SDRAM memory (DDRII). The LP2998 can also be used to provide a termination voltage for other logic schemes such as SSTL-3 or HSTL.

Series Stub Termination Logic (SSTL) was created to improve signal integrity of the data transmission across the memory bus. This termination scheme is essential to prevent data error from signal reflections while transmitting at high frequencies encountered with DDR-SDRAM. The most common form of termination is Class II single parallel termination. This involves one  $R_S$  series resistor from the chipset to the memory and one  $R_T$  termination resistor. Typical values for  $R_S$  and  $R_T$  are 25 Ohms, although these can be changed to scale the current requirements from the LP2998. This implementation can be seen below in [Figure 17](#).

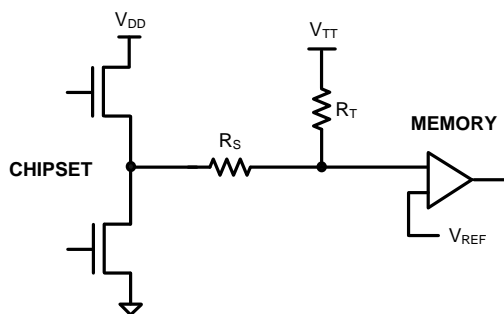


Figure 17. SSTL-Termination Scheme

## Pin Descriptions

<b>AVIN AND PVIN</b>	AVIN and PVIN are the input supply pins for the LP2998. AVIN is used to supply all the internal control circuitry. PVIN, however, is used exclusively to provide the rail voltage for the output stage used to create $V_{TT}$ . These pins have the capability to work off separate supplies, under the condition that AVIN is always greater than or equal to PVIN. For SSTL-18 applications, it is recommended to connect PVIN to the 1.8V rail used for the memory core and AVIN to a rail within its operating range of 2.2V to 5.5V (typically a 2.5V supply). PVIN should always be used with either a 1.8V or 2.5V rail. This prevents the thermal limit from tripping because of excessive internal power dissipation. If the junction temperature exceeds the thermal shutdown threshold, the part will enter a shutdown state identical to the manual shutdown where $V_{TT}$ is tri-stated and $V_{REF}$ remains active. A lower rail, such as 1.5V can be used but it will reduce the maximum output current. Therefore it is not recommended for most termination schemes.
<b>VDDQ</b>	VDDQ is the input used to create the internal reference voltage for regulating $V_{TT}$ . The reference voltage is generated from a resistor divider of two internal 50k $\Omega$ resistors. This ensures that $V_{TT}$ will precisely track $VDDQ / 2$ . The optimal implementation of VDDQ is as a remote sense. This can be achieved by connecting VDDQ directly to the 1.8V rail at the DIMM instead of PVIN. This ensures that the reference voltage precisely tracks the DDR memory rails without a large voltage drop from the power lines. For SSTL-18 applications, VDDQ will be a 1.8V signal, which will create a 0.9V termination voltage at $V_{TT}$ (See <a href="#">Electrical Characteristics</a> Table for exact values of $V_{TT}$ over temperature).
<b><math>V_{SENSE}</math></b>	The purpose of the sense pin is to provide improved remote load regulation. In most motherboard applications, the termination resistors will connect to $V_{TT}$ in a long plane. If the output voltage was regulated only at the output of the LP2998, then the long trace will cause a significant IR drop resulting in a termination voltage lower at one end of the bus than the other. The $V_{SENSE}$ pin can be used to improve this performance by connecting it to the middle of the bus. This will provide a better distribution across the entire termination bus. If remote load regulation is not used, then the $V_{SENSE}$ pin must still be connected to $V_{TT}$ . Care should be taken when a long $V_{SENSE}$ trace is implemented in close proximity to the memory. Noise pickup in the $V_{SENSE}$ trace can cause problems with precise regulation of $V_{TT}$ . A small 0.1 $\mu$ F ceramic capacitor placed next to the $V_{SENSE}$ pin can help filter any high frequency signals and prevent errors.
<b>SHUTDOWN</b>	The LP2998 contains an active low shutdown pin that can be used for suspend to RAM functionality. In this condition, the $V_{TT}$ output will tri-state while the $V_{REF}$ output remains active providing a constant reference signal for the memory and chipset. During shutdown, $V_{TT}$ should not be exposed to voltages that exceed PVIN. With the shutdown pin asserted low the quiescent current of the LP2998 will drop. However, VDDQ will always maintain its constant impedance of 100k $\Omega$ for generating the internal reference. Therefore, to calculate the total power loss in shutdown, both currents need to be considered. For more information refer to the <a href="#">Thermal Dissipation</a> section. The shutdown pin also has an internal pull-up current. Therefore, to turn the part on, the shutdown pin can either be connected to AVIN or left open.
<b><math>V_{REF}</math></b>	$V_{REF}$ provides the buffered output of the internal reference voltage $VDDQ / 2$ . This output should be used to provide the reference voltage for the Northbridge chipset and memory. Since the inputs typically have an extremely high impedance, there should be little current drawn from $V_{REF}$ . For improved performance, an output bypass capacitor can be placed, close to the pin, to help with noise. A ceramic capacitor in the range of 0.1 $\mu$ F to 0.01 $\mu$ F is recommended. This output remains active during the shutdown state and thermal shutdown events for the suspend to RAM functionality.
<b><math>V_{TT}</math></b>	$V_{TT}$ is the regulated output that is used to terminate the bus resistors. It is capable of sinking and sourcing current while regulating the output precisely to $VDDQ / 2$ . The LP2998 is designed to handle continuous currents of up to +/- 1.5A with excellent load regulation. If a transient is expected to last above the maximum continuous current rating for a significant amount of time, then the bulk output capacitor should be sized large enough to prevent an excessive voltage drop. If the LP2998 is to operate in elevated temperatures for long durations, care should be taken to ensure that the maximum operating junction temperature is not exceeded. Proper thermal de-rating should always be used (Please refer to the <a href="#">Thermal Dissipation</a> section). If the junction temperature exceeds the thermal shutdown threshold, $V_{TT}$ will tri-state until the part returns below the temperature hysteresis trip-point.

## Component Selections

### INPUT CAPACITOR

The LP2998 does not require a capacitor for input stability, but it is recommended for improved performance during large load transients to prevent the input rail from dropping. The input capacitor should be located as close as possible to the PVIN pin. Several recommendations exist and is dependent on the application required. A typical value recommended for AL electrolytic capacitors is 22  $\mu$ F. Ceramic capacitors can also be used. A value in the range of 10  $\mu$ F with X5R or better would be an ideal choice. The input capacitance can be reduced if the LP2998 is placed close to the bulk capacitance from the output of the 1.8V DC-DC converter. For the AVIN pin, a small 0.1 $\mu$ F ceramic capacitor is sufficient to prevent excessive noise from coupling into the device.

## OUTPUT CAPACITOR

The LP2998 has been designed to be insensitive of output capacitor size or ESR (Equivalent Series Resistance). This allows the flexibility to use any capacitor desired. The choice for output capacitor will be determined solely on the application and the requirements for load transient response of  $V_{TT}$ . As a general recommendation the output capacitor should be sized above 100  $\mu\text{F}$  with a low ESR for SSTL applications with DDR-SDRAM. The value of ESR should be determined by the maximum current spikes expected and the extent at which the output voltage is allowed to droop. Several capacitor options are available on the market and a few of these are highlighted below:

**AL** - It should be noted that many aluminum electrolytics only specify impedance at a frequency of 120 Hz, which indicates they have poor high frequency performance. Only aluminum electrolytics that have an impedance specified at a higher frequency (100 kHz) should be used for the LP2998. To improve the ESR several AL electrolytics can be combined in parallel for an overall reduction. An important note to be aware of is the extent at which the ESR will change over temperature. Aluminum electrolytic capacitors tend to have rapidly increasing ESR at cold temperatures.

**Ceramic** - Ceramic capacitors typically have a low capacitance, in the range of 10 to 100  $\mu\text{F}$ . They also have excellent AC performance for bypassing noise because of very low ESR (typically less than 10 m $\Omega$ ). However, some dielectric types do not have good capacitance characteristics as a function of voltage and temperature. Because of the typically low value of capacitance, it is recommended to use ceramic capacitors in parallel with another capacitor such as an aluminum electrolytic. A dielectric of X5R or better is recommended for all ceramic capacitors.

**Hybrid** - Several hybrid capacitors such as OS-CON and SP are available from several manufacturers. These offer a large capacitance while maintaining a low ESR. These are the best solution when size and performance are critical, although their cost is typically higher than any other capacitor type.

## Thermal Dissipation

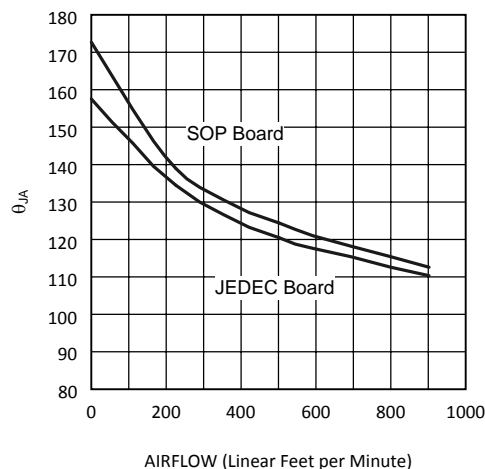
Since the LP2998 is a linear regulator, any current flow from  $V_{TT}$  will result in internal power dissipation and heat generation. To prevent damaging the part by exceeding the maximum allowable operating junction temperature, care should be taken to derate the part based on the maximum expected ambient temperature and power dissipation. The maximum allowable internal temperature rise ( $T_{Rmax}$ ) can be calculated given the maximum ambient temperature ( $T_{Amax}$ ) of the application and the maximum allowable junction temperature ( $T_{Jmax}$ ).

$$T_{Rmax} = T_{Jmax} - T_{Amax} \quad (1)$$

From this equation, the maximum power dissipation ( $P_{Dmax}$ ) of the part can be calculated:

$$P_{Dmax} = T_{Rmax} / \theta_{JA} \quad (2)$$

The  $\theta_{JA}$  of the LP2998 will depend on several variables: the package used; the thickness of copper; the number of vias and the airflow. For instance, the  $\theta_{JA}$  of the SOIC-8 is 163°C/W with the package mounted to a standard 8x4 2-layer board with 1oz. copper, no airflow, and 0.5W dissipation at room temperature. This value can be reduced to 151.2°C/W by changing to a 3x4 board with 2 oz. copper that is the JEDEC standard. [Figure 18](#) shows how the  $\theta_{JA}$  varies with airflow for the two boards mentioned.



**Figure 18.  $\theta_{JA}$  vs Airflow (SOIC-8)**

Additional improvements can be made by the judicious use of vias to connect the part and dissipate heat to an internal ground plane. Using larger traces and more copper on the top side of the board can also help. With careful layout, it is possible to reduce the  $\theta_{JA}$  further than the nominal values shown in [Figure 18](#).

Optimizing the  $\theta_{JA}$  and placing the LP2998 in a section of a board exposed to lower ambient temperature allows the part to operate with higher power dissipation. The internal power dissipation can be calculated by summing the three main sources of loss: output current at  $V_{TT}$ , either sinking or sourcing, and quiescent currents at AVIN and VDDQ. During the active state (when shutdown is not held low) the total internal power dissipation can be calculated from the following equations:

$$P_D = P_{AVIN} + P_{VDDQ} + P_{VTT} \quad (3)$$

Where,

$$P_{AVIN} = I_{AVIN} \times V_{AVIN} \quad (4)$$

$$P_{VDDQ} = V_{VDDQ} \times I_{VDDQ} = V_{VDDQ}^2 \times R_{VDDQ} \quad (5)$$

To calculate the maximum power dissipation at  $V_{TT}$ , both the sinking and sourcing current conditions need to be examined. Although only one equation will add into the total,  $V_{TT}$  cannot source and sink current simultaneously.

$$P_{VTT} = V_{VTT} \times I_{LOAD} \text{ (Sinking) or} \quad (6)$$

$$P_{VTT} = (V_{PVIN} - V_{VTT}) \times I_{LOAD} \text{ (Sourcing)} \quad (7)$$

The power dissipation of the LP2998 can also be calculated during the shutdown state. During this condition the output  $V_{TT}$  will tri-state. Therefore, that term in the power equation will disappear as it cannot sink or source any current (leakage is negligible). The only losses during shutdown will be the reduced quiescent current at AVIN and the constant impedance that is seen at the VDDQ pin.

$$P_D = P_{AVIN} + P_{VDDQ} \quad (8)$$

$$P_{AVIN} = I_{AVIN} \times V_{AVIN} \quad (9)$$

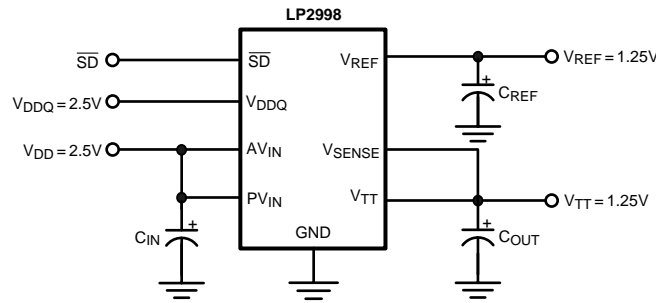
$$P_{VDDQ} = V_{VDDQ} \times I_{VDDQ} = V_{VDDQ}^2 \times R_{VDDQ} \quad (10)$$

## Typical Application Circuits

Several different application circuits have been shown in [Figure 19](#) through [Figure 28](#) to illustrate some of the options that are possible in configuring the LP2998. Graphs of the individual circuit performance can be found in the [Typical Performance Characteristics](#) section of the datasheet. These curves illustrate how the maximum output current is affected by changes in AVIN and PVIN.

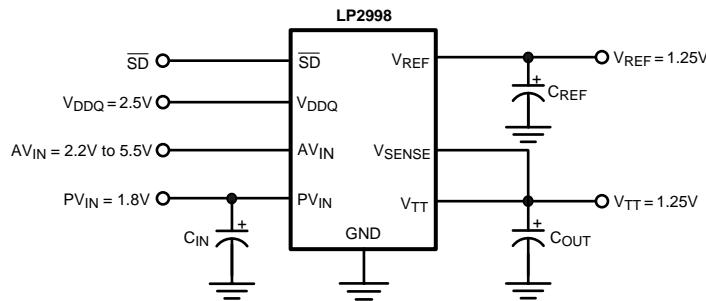
## SSTL-2 APPLICATIONS

For the majority of applications that implement the SSTL-2 termination scheme it is recommended to connect all the input rails to the 2.5V rail. This provides an optimal trade-off between power dissipation and component count and selection. An example of this circuit can be seen in [Figure 19](#).



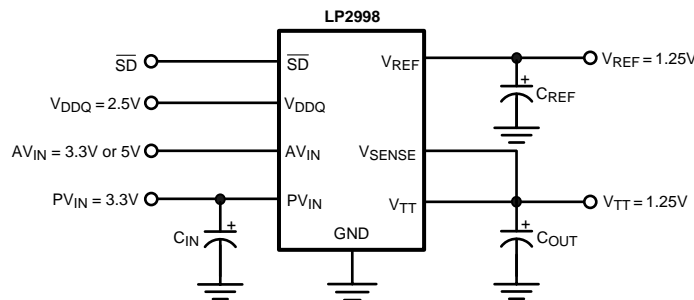
**Figure 19. Recommended SSTL-2 Implementation**

If power dissipation or efficiency is a major concern then the LP2998 has the ability to operate on split power rails (see [Figure 20](#)). The output stage (PVIN) can be operated on a lower rail such as 1.8V and the analog circuitry (AVIN) can be connected to a higher rail such as 2.5V, 3.3V or 5V. This allows the internal power dissipation to be lowered when sourcing current from  $V_{TT}$ . The disadvantage of this circuit is that the maximum continuous current is reduced because of the lower rail voltage, although it is adequate for all motherboard SSTL-2 applications. Increasing the output capacitance can also help if periods of large load transients will be encountered.



**Figure 20. Lower Power Dissipation SSTL-2 Implementation**

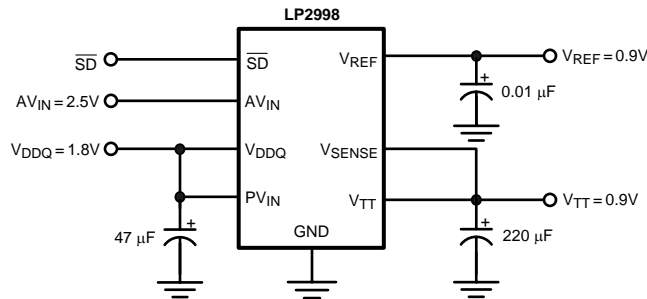
The third option for SSTL-2 applications in the situation that a 1.8V rail is not available and it is not desirable to use 2.5V, is to connect the LP2998 power rail to 3.3V (see [Figure 21](#)). In this situation AVIN will be limited to operation on the 3.3V or 5V rail as PVIN can never exceed AVIN. This configuration has the ability to provide the maximum continuous output current at the downside of higher thermal dissipation. Care should be taken to prevent the LP2998 from experiencing large current levels which cause the device to exceed the maximum operating junction temperature. Because of this risk it is not recommended to supply the output stage with a voltage higher than a nominal 3.3V rail.



**Figure 21. SSTL-2 Implementation With Higher Voltage Rails**

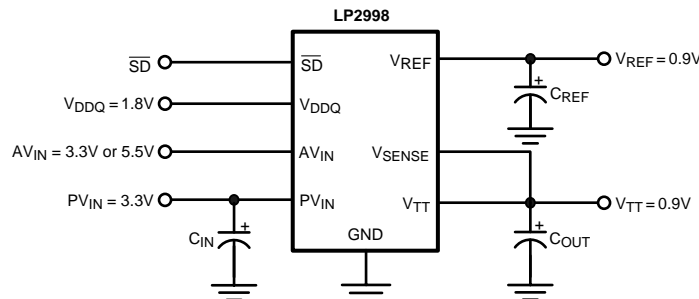
## DDR-II APPLICATIONS

With the separate VDDQ pin and an internal resistor divider it is possible to use the LP2998 in applications utilizing DDR-II memory. [Figure 22](#) and [Figure 23](#) show several implementations of recommended circuits with output curves displayed in the *Typical Performance Characteristics*. [Figure 22](#) shows the recommended circuit configuration for DDR-II applications. The output stage is connected to the 1.8V rail and the AVIN pin can be connected to either a 2.5, 3.3V or 5.5V rail.



**Figure 22. Recommended DDR-II Termination**

If it is not desirable to use the 1.8V rail it is possible to connect the output stage to a 3.3V rail. Care should be taken to not exceed the maximum operating junction temperature as the thermal dissipation increases with lower  $V_{TT}$  output voltages. For this reason it is not recommended to power PVIN with a rail higher than the nominal 3.3V. The advantage of this configuration is that it has the ability to source and sink a higher maximum continuous current.



**Figure 23. DDR-II Termination With Higher Voltage Rails**

## LEVEL SHIFTING

If standards other than SSTL-2 are required, such as SSTL-3, it may be necessary to use a different scaling factor than 0.5 times  $V_{DDQ}$  for regulating the output voltage. Several options are available to scale the output to any voltage required. One method is to level shift the output by using feedback resistors from  $V_{TT}$  to the  $V_{SENSE}$  pin. This has been illustrated in [Figure 24](#) and [Figure 25](#). [Figure 24](#) shows how to use two resistors to level shift  $V_{TT}$  above the internal reference voltage of  $V_{DDQ}/2$ . To calculate the exact voltage at  $V_{TT}$  the following equation can be used.

$$V_{TT} = V_{DDQ}/2 (1 + R1/R2) \quad (11)$$

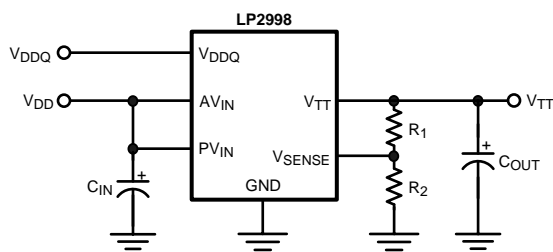


Figure 24. Increasing VTT by Level Shifting

Conversely, the R2 resistor can be placed between V<sub>SENSE</sub> and V<sub>DDQ</sub> to shift the V<sub>TT</sub> output lower than the internal reference voltage of V<sub>DDQ</sub>/2. The equation relating to V<sub>TT</sub> and the resistors can be used as shown:

$$V_{TT} = V_{DDQ}/2 (1 - R1/R2) \quad (12)$$

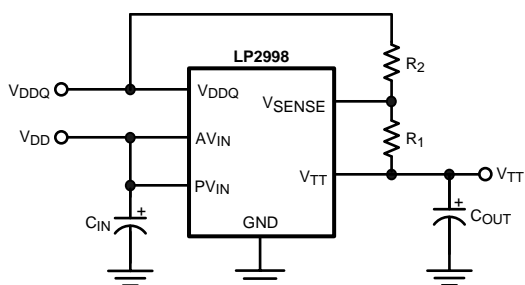


Figure 25. Decreasing VTT by Level Shifting

### HSTL APPLICATIONS

The LP2998 can be easily adapted for HSTL applications by connecting V<sub>DDQ</sub> to the 1.5V rail. This will produce a V<sub>TT</sub> and V<sub>REF</sub> voltage of approximately 0.75V for the termination resistors. AVIN and PVIN should be connected to a 2.5V rail for optimal performance.

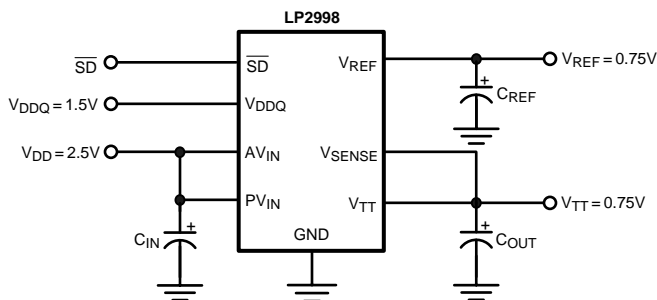


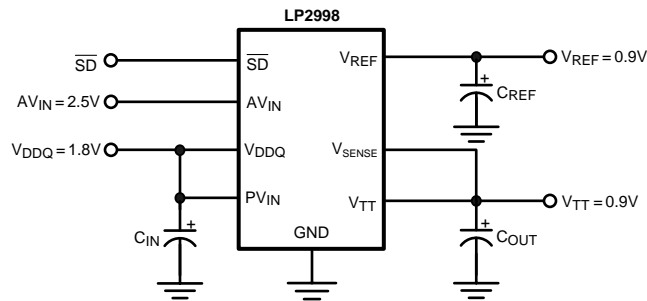
Figure 26. HSTL Application

### QDR APPLICATIONS

Quad data rate (QDR) applications utilize multiple channels for improved memory performance. However, this increase in bus lines increases the current levels required for termination. The recommended approach in terminating multiple channels is to use a dedicated LP2998 for each channel. This simplifies layout and reduces the internal power dissipation for each regulator. Separate V<sub>REF</sub> signals can be used for each DIMM bank from the corresponding regulator with the chipset reference provided by a local resistor divider or one of the LP2998 signals. Because V<sub>REF</sub> and V<sub>TT</sub> are expected to track and the part to part variations are minor, there should be little difference between the reference signals of each LP2998.

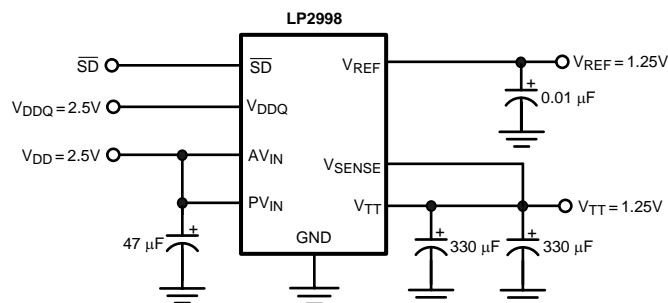
## OUTPUT CAPACITOR SELECTION

For applications utilizing the LP2998 to terminate SSTL-2 I/O signals the typical application circuit shown in Figure 27 can be implemented.



**Figure 27. Typical SSTL-2 Application Circuit**

This circuit permits termination in a minimum amount of board space and component count. Capacitor selection can be varied depending on the number of lines terminated and the maximum load transient. However, with motherboards and other applications where  $V_{TT}$  is distributed across a long plane, it is recommended to use multiple bulk capacitors in addition to high frequency decoupling. Figure 28 depicts an example circuit where 2 bulk output capacitors could be situated at both ends of the  $V_{TT}$  plane for optimal placement. Large aluminum electrolytic capacitors are typically used for their low ESR and low cost.



**Figure 28. Typical SSTL-2 Application Circuit for Motherboards**

In most PC applications, an extensive amount of decoupling is required because of the long interconnects encountered with the DDR-SDRAM DIMMs mounted on modules. As a result, bulk aluminum electrolytic capacitors in the range of 1000uF are typically used.

## PCB Layout Considerations

1. The input capacitor for the power rail should be placed as close as possible to the PVIN pin.
2.  $V_{SENSE}$  should be connected to the  $V_{TT}$  termination bus at the point where regulation is required. For motherboard applications an ideal location would be at the center of the termination bus.
3.  $V_{DDQ}$  can be connected remotely to the  $V_{DDQ}$  rail input at either the DIMM or the Chipset. This provides the most accurate point for creating the reference voltage.
4. For improved thermal performance excessive top side copper should be used to dissipate heat from the package. Numerous vias from the ground connection to the internal ground plane will help. Additionally these can be located underneath the package if manufacturing standards permit.
5. Care should be taken when routing the  $V_{SENSE}$  trace to avoid noise pickup from switching I/O signals. A 0.1uF ceramic capacitor located close to the  $V_{SENSE}$  can also be used to filter any unwanted high frequency signal. This can be an issue especially if long  $V_{SENSE}$  traces are used.
6.  $V_{REF}$  should be bypassed with a 0.01  $\mu$ F or 0.1  $\mu$ F ceramic capacitor for improved performance. This capacitor should be located as close as possible to the  $V_{REF}$  pin.



---

**REVISION HISTORY**

<b>Changes from Revision H (April 2013) to Revision I</b>	<b>Page</b>
<hr/> <ul style="list-style-type: none"><li>• Changed layout of National Data Sheet to TI format .....</li></ul>	<hr/> <a href="#">16</a>

**PACKAGING INFORMATION**

Orderable Device	Status (1)	Package Type	Package Drawing	Pins	Package Qty	Eco Plan (2)	Lead/Ball Finish	MSL Peak Temp (3)	Op Temp (°C)	Top-Side Markings (4)	Samples
LP2998MA/NOPB	ACTIVE	SOIC	D	8	95	Green (RoHS & no Sb/Br)	CU SN	Level-1-260C-UNLIM	-40 to 125	LP2998 MA	<a href="#">Samples</a>
LP2998MAE/NOPB	ACTIVE	SOIC	D	8	250	Green (RoHS & no Sb/Br)	CU SN	Level-1-260C-UNLIM	-40 to 125	LP2998 MA	<a href="#">Samples</a>
LP2998MAX/NOPB	ACTIVE	SOIC	D	8	2500	Green (RoHS & no Sb/Br)	CU SN	Level-1-260C-UNLIM	-40 to 125	LP2998 MA	<a href="#">Samples</a>
LP2998MR/NOPB	ACTIVE	SO PowerPAD	DDA	8	95	Green (RoHS & no Sb/Br)	CU SN	Level-3-260C-168 HR	-40 to 125	LP2998 MR	<a href="#">Samples</a>
LP2998MRE/NOPB	ACTIVE	SO PowerPAD	DDA	8	250	Green (RoHS & no Sb/Br)	CU SN	Level-3-260C-168 HR	-40 to 125	LP2998 MR	<a href="#">Samples</a>
LP2998MRX/NOPB	ACTIVE	SO PowerPAD	DDA	8	2500	Green (RoHS & no Sb/Br)	CU SN	Level-3-260C-168 HR	-40 to 125	LP2998 MR	<a href="#">Samples</a>

(1) The marketing status values are defined as follows:

**ACTIVE:** Product device recommended for new designs.

**LIFEBUY:** TI has announced that the device will be discontinued, and a lifetime-buy period is in effect.

**NRND:** Not recommended for new designs. Device is in production to support existing customers, but TI does not recommend using this part in a new design.

**PREVIEW:** Device has been announced but is not in production. Samples may or may not be available.

**OBSELETE:** TI has discontinued the production of the device.

(2) Eco Plan - The planned eco-friendly classification: Pb-Free (RoHS), Pb-Free (RoHS Exempt), or Green (RoHS & no Sb/Br) - please check <http://www.ti.com/productcontent> for the latest availability information and additional product content details.

**TBD:** The Pb-Free/Green conversion plan has not been defined.

**Pb-Free (RoHS):** TI's terms "Lead-Free" or "Pb-Free" mean semiconductor products that are compatible with the current RoHS requirements for all 6 substances, including the requirement that lead not exceed 0.1% by weight in homogeneous materials. Where designed to be soldered at high temperatures, TI Pb-Free products are suitable for use in specified lead-free processes.

**Pb-Free (RoHS Exempt):** This component has a RoHS exemption for either 1) lead-based flip-chip solder bumps used between the die and package, or 2) lead-based die adhesive used between the die and leadframe. The component is otherwise considered Pb-Free (RoHS compatible) as defined above.

**Green (RoHS & no Sb/Br):** TI defines "Green" to mean Pb-Free (RoHS compatible), and free of Bromine (Br) and Antimony (Sb) based flame retardants (Br or Sb do not exceed 0.1% by weight in homogeneous material)

(3) MSL, Peak Temp. -- The Moisture Sensitivity Level rating according to the JEDEC industry standard classifications, and peak solder temperature.

(4) Multiple Top-Side Markings will be inside parentheses. Only one Top-Side Marking contained in parentheses and separated by a "~" will appear on a device. If a line is indented then it is a continuation of the previous line and the two combined represent the entire Top-Side Marking for that device.

**Important Information and Disclaimer:**The information provided on this page represents TI's knowledge and belief as of the date that it is provided. TI bases its knowledge and belief on information provided by third parties, and makes no representation or warranty as to the accuracy of such information. Efforts are underway to better integrate information from third parties. TI has taken and continues to take reasonable steps to provide representative and accurate information but may not have conducted destructive testing or chemical analysis on incoming materials and chemicals. TI and TI suppliers consider certain information to be proprietary, and thus CAS numbers and other limited information may not be available for release.

In no event shall TI's liability arising out of such information exceed the total purchase price of the TI part(s) at issue in this document sold by TI to Customer on an annual basis.

**TAPE AND REEL INFORMATION**

**QUADRANT ASSIGNMENTS FOR PIN 1 ORIENTATION IN TAPE**


\*All dimensions are nominal

Device	Package Type	Package Drawing	Pins	SPQ	Reel Diameter (mm)	Reel Width W1 (mm)	A0 (mm)	B0 (mm)	K0 (mm)	P1 (mm)	W (mm)	Pin1 Quadrant
LP2998MAE/NOPB	SOIC	D	8	250	178.0	12.4	6.5	5.4	2.0	8.0	12.0	Q1
LP2998MAX/NOPB	SOIC	D	8	2500	330.0	12.4	6.5	5.4	2.0	8.0	12.0	Q1
LP2998MRE/NOPB	SO Power PAD	DDA	8	250	178.0	12.4	6.5	5.4	2.0	8.0	12.0	Q1
LP2998MRX/NOPB	SO Power PAD	DDA	8	2500	330.0	12.4	6.5	5.4	2.0	8.0	12.0	Q1

**TAPE AND REEL BOX DIMENSIONS**


\*All dimensions are nominal

Device	Package Type	Package Drawing	Pins	SPQ	Length (mm)	Width (mm)	Height (mm)
LP2998MAE/NOPB	SOIC	D	8	250	210.0	185.0	35.0
LP2998MAX/NOPB	SOIC	D	8	2500	367.0	367.0	35.0
LP2998MRE/NOPB	SO PowerPAD	DDA	8	250	213.0	191.0	55.0
LP2998MRX/NOPB	SO PowerPAD	DDA	8	2500	367.0	367.0	35.0

DDA (R-PDSO-G8)

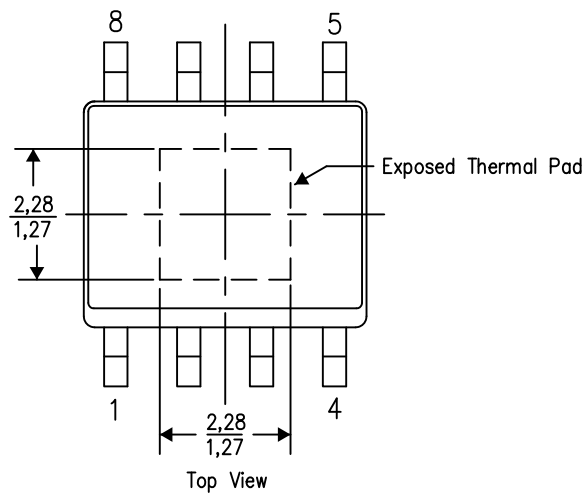
PowerPAD™ PLASTIC SMALL OUTLINE

**THERMAL INFORMATION**

This PowerPAD™ package incorporates an exposed thermal pad that is designed to be attached to a printed circuit board (PCB). The thermal pad must be soldered directly to the PCB. After soldering, the PCB can be used as a heatsink. In addition, through the use of thermal vias, the thermal pad can be attached directly to the appropriate copper plane shown in the electrical schematic for the device, or alternatively, can be attached to a special heatsink structure designed into the PCB. This design optimizes the heat transfer from the integrated circuit (IC).

For additional information on the PowerPAD package and how to take advantage of its heat dissipating abilities, refer to Technical Brief, PowerPAD Thermally Enhanced Package, Texas Instruments Literature No. SLMA002 and Application Brief, PowerPAD Made Easy, Texas Instruments Literature No. SLMA004. Both documents are available at [www.ti.com](http://www.ti.com).

The exposed thermal pad dimensions for this package are shown in the following illustration.

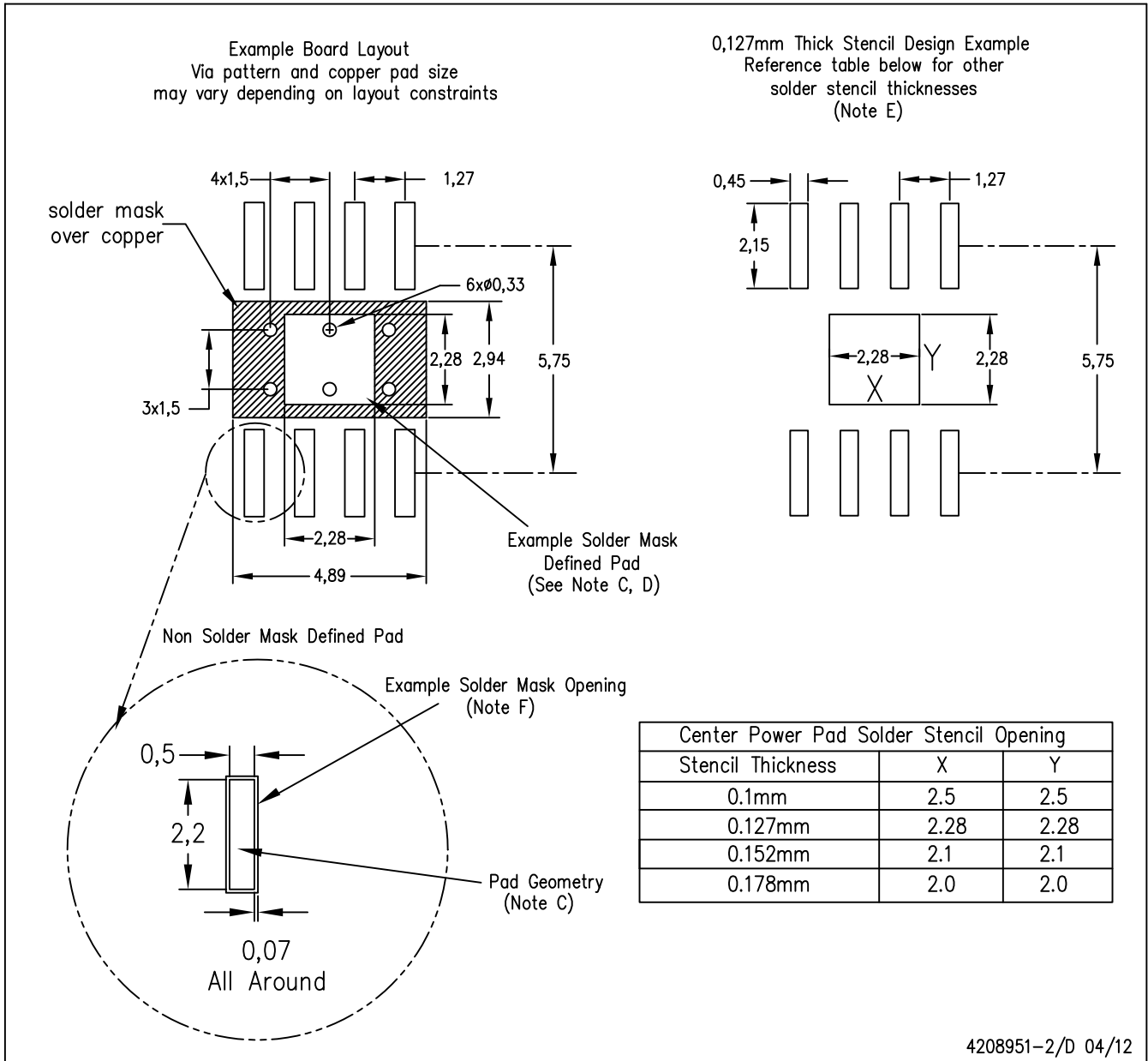


Exposed Thermal Pad Dimensions

4206322-2/L 05/12

NOTE: A. All linear dimensions are in millimeters

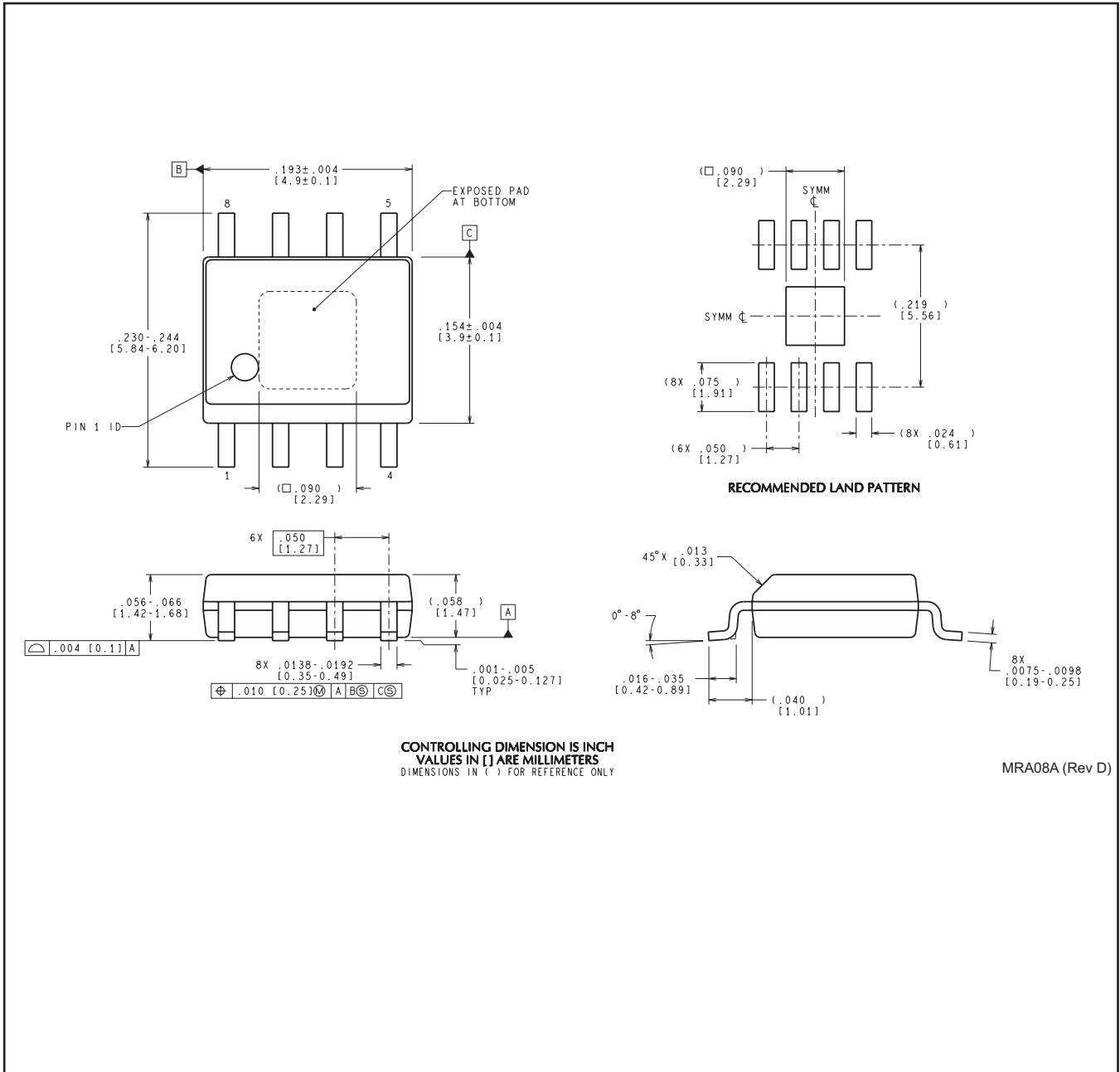
PowerPAD is a trademark of Texas Instruments



- NOTES:
- A. All linear dimensions are in millimeters.
  - B. This drawing is subject to change without notice.
  - C. Publication IPC-7351 is recommended for alternate designs.
  - D. This package is designed to be soldered to a thermal pad on the board. Refer to Technical Brief, PowerPad Thermally Enhanced Package, Texas Instruments Literature No. SLMA002, SLMA004, and also the Product Data Sheets for specific thermal information, via requirements, and recommended board layout. These documents are available at [www.ti.com](http://www.ti.com) <<http://www.ti.com>>. Publication IPC-7351 is recommended for alternate designs.
  - E. Laser cutting apertures with trapezoidal walls and also rounding corners will offer better paste release. Customers should contact their board assembly site for stencil design recommendations. Example stencil design based on a 50% volumetric metal load solder paste. Refer to IPC-7525 for other stencil recommendations.
  - F. Customers should contact their board fabrication site for solder mask tolerances between and around signal pads.

PowerPAD is a trademark of Texas Instruments.

DDA0008A



CONTROLLING DIMENSION IS INCH  
 VALUES IN [ ] ARE MILLIMETERS  
 DIMENSIONS IN ( ) FOR REFERENCE ONLY

MRA08A (Rev D)



D (R-PDSO-G8)

PLASTIC SMALL OUTLINE



4040047-3/M 06/11

## IMPORTANT NOTICE

Texas Instruments Incorporated and its subsidiaries (TI) reserve the right to make corrections, enhancements, improvements and other changes to its semiconductor products and services per JESD46, latest issue, and to discontinue any product or service per JESD48, latest issue. Buyers should obtain the latest relevant information before placing orders and should verify that such information is current and complete. All semiconductor products (also referred to herein as "components") are sold subject to TI's terms and conditions of sale supplied at the time of order acknowledgment.

TI warrants performance of its components to the specifications applicable at the time of sale, in accordance with the warranty in TI's terms and conditions of sale of semiconductor products. Testing and other quality control techniques are used to the extent TI deems necessary to support this warranty. Except where mandated by applicable law, testing of all parameters of each component is not necessarily performed.

TI assumes no liability for applications assistance or the design of Buyers' products. Buyers are responsible for their products and applications using TI components. To minimize the risks associated with Buyers' products and applications, Buyers should provide adequate design and operating safeguards.

TI does not warrant or represent that any license, either express or implied, is granted under any patent right, copyright, mask work right, or other intellectual property right relating to any combination, machine, or process in which TI components or services are used. Information published by TI regarding third-party products or services does not constitute a license to use such products or services or a warranty or endorsement thereof. Use of such information may require a license from a third party under the patents or other intellectual property of the third party, or a license from TI under the patents or other intellectual property of TI.

Reproduction of significant portions of TI information in TI data books or data sheets is permissible only if reproduction is without alteration and is accompanied by all associated warranties, conditions, limitations, and notices. TI is not responsible or liable for such altered documentation. Information of third parties may be subject to additional restrictions.

Resale of TI components or services with statements different from or beyond the parameters stated by TI for that component or service voids all express and any implied warranties for the associated TI component or service and is an unfair and deceptive business practice. TI is not responsible or liable for any such statements.

Buyer acknowledges and agrees that it is solely responsible for compliance with all legal, regulatory and safety-related requirements concerning its products, and any use of TI components in its applications, notwithstanding any applications-related information or support that may be provided by TI. Buyer represents and agrees that it has all the necessary expertise to create and implement safeguards which anticipate dangerous consequences of failures, monitor failures and their consequences, lessen the likelihood of failures that might cause harm and take appropriate remedial actions. Buyer will fully indemnify TI and its representatives against any damages arising out of the use of any TI components in safety-critical applications.

In some cases, TI components may be promoted specifically to facilitate safety-related applications. With such components, TI's goal is to help enable customers to design and create their own end-product solutions that meet applicable functional safety standards and requirements. Nonetheless, such components are subject to these terms.

No TI components are authorized for use in FDA Class III (or similar life-critical medical equipment) unless authorized officers of the parties have executed a special agreement specifically governing such use.

Only those TI components which TI has specifically designated as military grade or "enhanced plastic" are designed and intended for use in military/aerospace applications or environments. Buyer acknowledges and agrees that any military or aerospace use of TI components which have **not** been so designated is solely at the Buyer's risk, and that Buyer is solely responsible for compliance with all legal and regulatory requirements in connection with such use.

TI has specifically designated certain components as meeting ISO/TS16949 requirements, mainly for automotive use. In any case of use of non-designated products, TI will not be responsible for any failure to meet ISO/TS16949.

### Products

Audio	<a href="http://www.ti.com/audio">www.ti.com/audio</a>
Amplifiers	<a href="http://amplifier.ti.com">amplifier.ti.com</a>
Data Converters	<a href="http://dataconverter.ti.com">dataconverter.ti.com</a>
DLP® Products	<a href="http://www.dlp.com">www.dlp.com</a>
DSP	<a href="http://dsp.ti.com">dsp.ti.com</a>
Clocks and Timers	<a href="http://www.ti.com/clocks">www.ti.com/clocks</a>
Interface	<a href="http://interface.ti.com">interface.ti.com</a>
Logic	<a href="http://logic.ti.com">logic.ti.com</a>
Power Mgmt	<a href="http://power.ti.com">power.ti.com</a>
Microcontrollers	<a href="http://microcontroller.ti.com">microcontroller.ti.com</a>
RFID	<a href="http://www.ti-rfid.com">www.ti-rfid.com</a>
OMAP Applications Processors	<a href="http://www.ti.com/omap">www.ti.com/omap</a>
Wireless Connectivity	<a href="http://www.ti.com/wirelessconnectivity">www.ti.com/wirelessconnectivity</a>

### Applications

Automotive and Transportation	<a href="http://www.ti.com/automotive">www.ti.com/automotive</a>
Communications and Telecom	<a href="http://www.ti.com/communications">www.ti.com/communications</a>
Computers and Peripherals	<a href="http://www.ti.com/computers">www.ti.com/computers</a>
Consumer Electronics	<a href="http://www.ti.com/consumer-apps">www.ti.com/consumer-apps</a>
Energy and Lighting	<a href="http://www.ti.com/energy">www.ti.com/energy</a>
Industrial	<a href="http://www.ti.com/industrial">www.ti.com/industrial</a>
Medical	<a href="http://www.ti.com/medical">www.ti.com/medical</a>
Security	<a href="http://www.ti.com/security">www.ti.com/security</a>
Space, Avionics and Defense	<a href="http://www.ti.com/space-avionics-defense">www.ti.com/space-avionics-defense</a>
Video and Imaging	<a href="http://www.ti.com/video">www.ti.com/video</a>

### TI E2E Community

[e2e.ti.com](http://e2e.ti.com)