

LM75A Digital Temperature Sensor and Thermal Watchdog with Two-Wire Interface

 Check for Samples: [LM75A](#)

FEATURES

- No External Components Required
- Shutdown Mode to Minimize Power Consumption
- Up to Eight LM75As can be Connected to a Single Bus
- Power Up Defaults Permit Stand-Alone Operation as Thermostat

APPLICATIONS

- General System Thermal Management
- Communications Infrastructure
- Electronic Test Equipment
- Environmental Monitoring

KEY SPECIFICATIONS

- Supply Voltage
 - LM75A: 2.7V to 5.5V
- Supply Current
 - Operating: 280 μ A (Typ)
 - Shutdown: 4 μ A (Typ)
- Temperature Accuracy
 - 25°C to 100°C: $\pm 2^\circ$ C (Max)
 - 55°C to 125°C: $\pm 3^\circ$ C (Max)

DESCRIPTION

The LM75A is an industry-standard digital temperature sensor with an integrated Sigma-Delta analog-to-digital converter and I²C interface. The LM75A provides 9-bit digital temperature readings with an accuracy of $\pm 2^\circ$ C from -25° C to 100° C and $\pm 3^\circ$ C over -55° C to 125° C.

The LM75A operates with a single supply from +2.7V to +5.5V. Communication is accomplished over a 2-wire interface which operates up to 400kHz. The LM75A has three address pins, allowing up to eight LM75A devices to operate on the same 2-wire bus. The LM75A has a dedicated over-temperature output (O.S.) with programmable limit and hysteresis. This output has programmable fault tolerance, which allows the user to define the number of consecutive error conditions that must occur before O.S. is activated. The wide temperature and supply range and I²C interface make the LM75A ideal for a number of applications including base stations, electronic test equipment, office electronics, personal computers, and any other system where thermal management is critical to performance. The LM75A is available in an SOIC-8 package and an VSSOP-8 package.

SIMPLIFIED BLOCK DIAGRAM

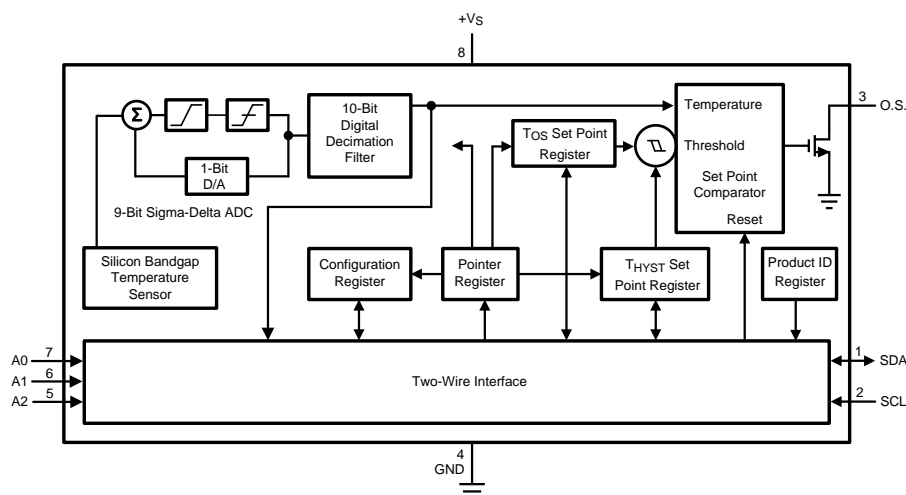


Figure 1.



Please be aware that an important notice concerning availability, standard warranty, and use in critical applications of Texas Instruments semiconductor products and disclaimers thereto appears at the end of this data sheet.

All trademarks are the property of their respective owners.

CONNECTION DIAGRAMS

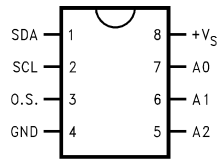


Figure 2. SOIC-8 and VSSOP-8 Packages
See Package Numbers D0008A and DGK0008A

Pin Descriptions

Label	Pin No.	Function	Typical Connection
SDA	1	I ² C Serial Bi-Directional Data Line, Open Drain	From Controller, tied to a pull-up resistor or current source
SCL	2	I ² C Clock Input	From Controller, tied to a pull-up resistor or current source
O.S.	3	Overtemperature Shutdown, Open Drain Output	Pull-up Resistor, Controller Interrupt Line
GND	4	Power Supply Ground	Ground
+V _S	8	Positive Supply Voltage Input	DC Voltage from 2.7V to 5.5V 100 nF bypass capacitor with 10 μF bulk capacitance in the near vicinity
A0–A2	7,6,5	User-Set I ² C Address Inputs	Ground (Low, "0") or +V _S (High, "1")

TYPICAL APPLICATION

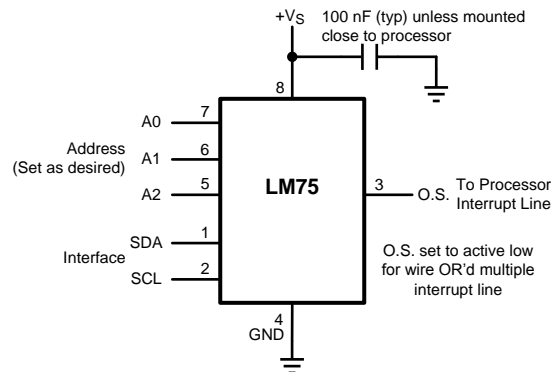


Figure 3. Typical Application



These devices have limited built-in ESD protection. The leads should be shorted together or the device placed in conductive foam during storage or handling to prevent electrostatic damage to the MOS gates.

ABSOLUTE MAXIMUM RATINGS⁽¹⁾

Supply Voltage Pin (+V _S)		-0.3V to 6.5V	
Voltage at A0, A1 and A2 Pins		-0.3V to (+V _S + 0.3V) and must be ≤ 6.5V	
Voltage at OS, SCL and SDA Pins		-0.3V to 6.5V	
Input Current at any Pin ⁽²⁾		5 mA	
Package Input Current ⁽²⁾		20 mA	
Storage Temperature		-65°C to +150°C	
ESD Susceptibility ⁽³⁾	LM75A	Human Body Model	2500V
		Machine Model	250V
		Charged Device Model	1000V
O.S. Output Sink Current		10 mA	
O.S. Output Voltage		6.5V	

- (1) Absolute Maximum Ratings indicate limits beyond which damage to the device may occur. DC and AC electrical specifications do not apply when operating the device beyond its rated operating conditions.
- (2) When the input voltage (V_I) at any pin exceeds the power supplies (V_I < GND or V_I > +V_S) the current at that pin should be limited to 5mA. The 20mA maximum package input current rating limits the number of pins that can safely exceed the power supplies with an input current of 5mA to four.
- (3) Human body model, 100pF discharged through a 1.5kΩ resistor. Machine model, 200pF discharged directly into each pin. The Charged Device Model (CDM) is a specified circuit characterizing an ESD event that occurs when a device acquires charge through some triboelectric (frictional) or electrostatic induction processes and then abruptly touches a grounded object or surface.

OPERATING RATINGS

Specified Temperature Range (T _{MIN} to T _{MAX}) ⁽¹⁾	-55°C to +125°C
Supply Voltage Range (+V _S) LM75A	+2.7V to +5.5V
<i>Soldering process must comply with Reflow Temperature Profile specifications. Refer to www.ti.com/packaging.⁽²⁾</i>	

- (1) LM75A θ_{JA} (thermal resistance, junction-to-ambient) when attached to a printed circuit board with 2oz. foil similar to the one shown in [Figure 2](#) is summarized in the table below the Operating Ratings table.
- (2) Reflow temperature profiles are different for lead-free and non-lead-free packages.

Device Number	TI Package Number	Thermal Resistance (θ _{JA})
LM75AIM	D0008A	200°C/W
LM75AIMM	DGK0008A	250°C/W

TEMPERATURE-TO-DIGITAL CONVERTER CHARACTERISTICS

Unless otherwise noted, these specifications apply for: $+V_S = +2.7$ to 5.5 Vdc for LM75AIM. **Boldface limits apply for $T_A = T_J = T_{MIN}$ to T_{MAX}** ; all other limits $T_A = T_J = +25^\circ\text{C}$, unless otherwise noted.

Parameter		Conditions	Typical ⁽¹⁾	Limits ⁽²⁾	Units (Limit)
Accuracy		$T_A = -25^\circ\text{C}$ to $+100^\circ\text{C}$		± 2.0	$^\circ\text{C}$ (max)
		$T_A = -55^\circ\text{C}$ to $+125^\circ\text{C}$		± 3.0	
Resolution			9		Bits
Temperature Conversion Time		See ⁽³⁾	100	300	ms (max)
Quiescent Current	LM75A	$I^2\text{C}$ Inactive	0.28	0.5	mA (max)
		Shutdown Mode, $+V_S = 3\text{V}$	4		μA
		Shutdown Mode, $+V_S = 5\text{V}$	6		μA
O.S. Output Saturation Voltage		$I_{\text{OUT}} = 4.0$ mA		0.8	V (max)
O.S. Delay		See ⁽⁴⁾		1	Conversion (min)
				6	Conversions (max)
T_{OS} Default Temperature		See ⁽⁵⁾	80		$^\circ\text{C}$
T_{HYST} Default Temperature		See ⁽⁵⁾	75		$^\circ\text{C}$

(1) Typicals are at $T_A = 25^\circ\text{C}$ and represent most likely parametric norm.

(2) Limits are ensured to AOQL (Average Outgoing Quality Level).

(3) The conversion-time specification is provided to indicate how often the temperature data is updated. The LM75A can be accessed at any time and reading the Temperature Register will yield result from the last temperature conversion. When the LM75A is accessed, the conversion that is in process will be interrupted and it will be restarted after the end of the communication. Accessing the LM75A continuously without waiting at least one conversion time between communications will prevent the device from updating the Temperature Register with a new temperature conversion result. Consequently, the LM75A should not be accessed continuously with a wait time of less than 300ms.

(4) O.S. Delay is user programmable up to 6 "over limit" conversions before O.S. is set to minimize false tripping in noisy environments.

(5) Default values set at power up.

LOGIC ELECTRICAL CHARACTERISTICS

DIGITAL DC CHARACTERISTICS

Unless otherwise noted, these specifications apply for $+V_S = +2.7$ to 5.5 Vdc for LM75AIM and LM75AIMM. **Boldface limits apply for $T_A = T_J = T_{MIN}$ to T_{MAX}** ; all other limits $T_A = T_J = +25^\circ\text{C}$, unless otherwise noted.

Symbol	Parameter		Conditions	Typical ⁽¹⁾	Limits ⁽²⁾	Units (Limit)
$V_{\text{IN}(1)}$	Logical "1" Input Voltage				$+V_S \times 0.7$	V (min)
					$+V_S + 0.3$	V (max)
$V_{\text{IN}(0)}$	Logical "0" Input Voltage				-0.3	V (min)
					$+V_S \times 0.3$	V (max)
$I_{\text{IN}(1)}$	Logical "1" Input Current		$V_{\text{IN}} = +V_S$	0.005	1.0	μA (max)
$I_{\text{IN}(0)}$	Logical "0" Input Current		$V_{\text{IN}} = 0\text{V}$	-0.005	-1.0	μA (max)
C_{IN}	All Digital Inputs			5		pF
I_{OH}	High Level Output Current Open drain leakage	LM75A	$V_{\text{OH}} = 5\text{V}$		1	μA (max)
V_{OL}	Low Level Output Voltage		$I_{\text{OL}} = 3$ mA		0.4	V (max)
t_{OF}	Output Fall Time		$C_L = 400$ pF $I_O = 3$ mA		250	ns (max)

(1) Typicals are at $T_A = 25^\circ\text{C}$ and represent most likely parametric norm.

(2) Limits are ensured to AOQL (Average Outgoing Quality Level).

I²C DIGITAL SWITCHING CHARACTERISTICS

Unless otherwise noted, these specifications apply for +V_S = +2.7 to 5.5 Vdc for LM75AIM and LM75AIMM on output lines = 80 pF unless otherwise specified. **Boldface limits apply for T_A = T_J = T_{MIN} to T_{MAX}**; all other limits T_A = T_J = +25°C, unless otherwise noted.

Symbol	Parameter	Conditions	Typical ⁽¹⁾	Limits ⁽²⁾⁽³⁾	Units (Limit)
t ₁	SCL (Clock) Period			2.5	μs (min)
t ₂	Data in Set-Up Time to SCL High			100	ns (min)
t ₃	Data Out Stable after SCL Low			0	ns (min)
t ₄	SDA Low Set-Up Time to SCL Low (Start Condition)			100	ns (min)
t ₅	SDA High Hold Time after SCL High (Stop Condition)			100	ns (min)
t _{TIMEOUT}	SDA Time Low for Reset of Serial Interface ⁽⁴⁾	LM75A		75 325	ms (min) ms (max)

- (1) Typicals are at T_A = 25°C and represent most likely parametric norm.
- (2) Limits are ensured to AOQL (Average Outgoing Quality Level).
- (3) Timing specifications are tested at the bus input logic levels (Vin(0)=0.3XVA for a falling edge and Vin(1)=0.7XVA for a rising edge) when the SCL and SDA edge rates are similar.
- (4) Holding the SDA line low for a time greater than t_{TIMEOUT} will cause the LM75A to reset SDA to the IDLE state of the serial bus communication (SDA set High).

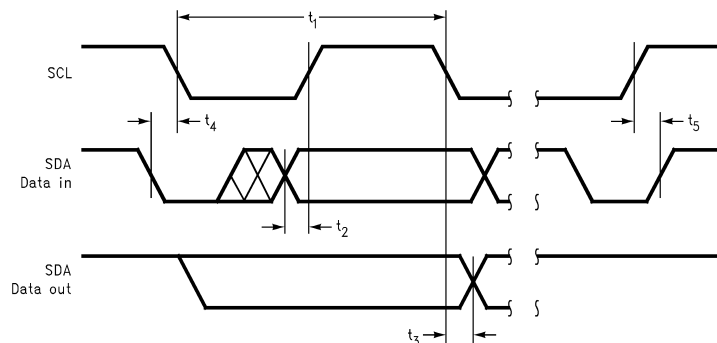


Figure 4.

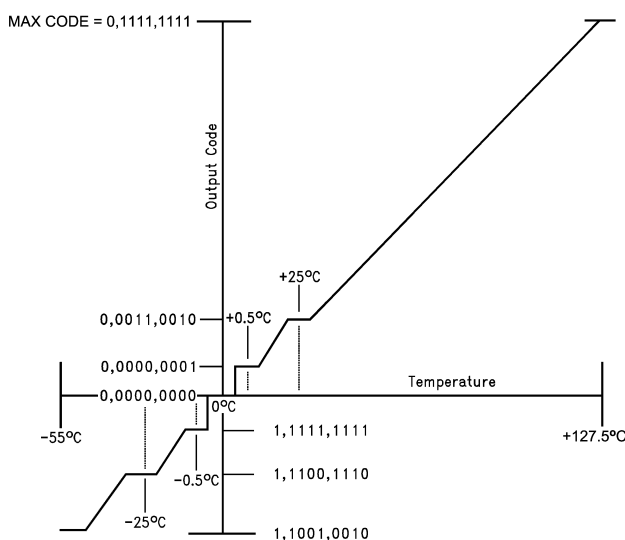


Figure 5. Temperature-to-Digital Transfer Function (Non-linear scale for clarity)

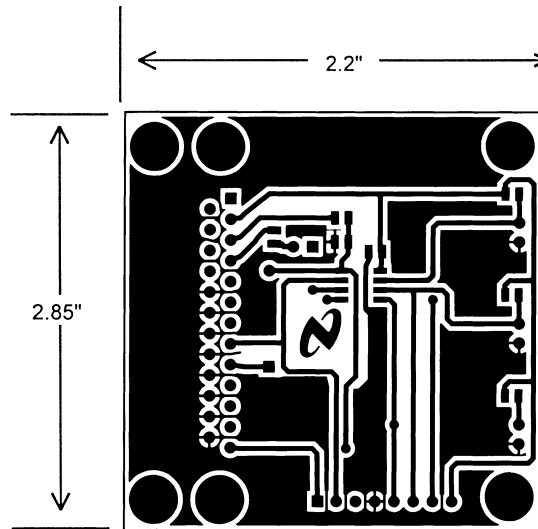


Figure 6. Printed Circuit Board Used for Thermal Resistance Specifications

TYPICAL PERFORMANCE CHARACTERISTICS

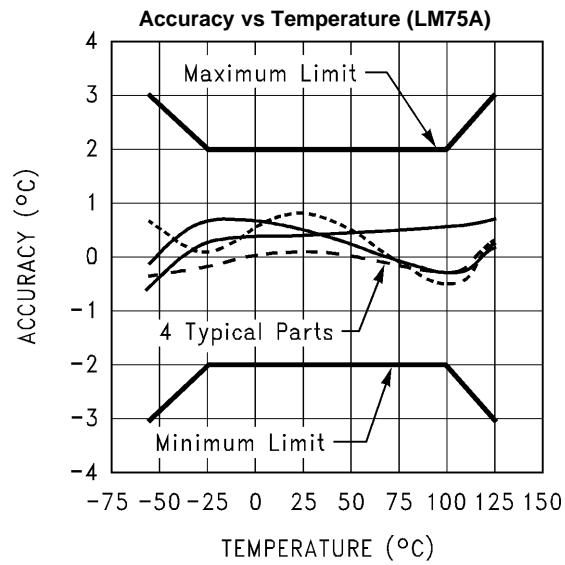


Figure 7.

FUNCTIONAL DESCRIPTION

The LM75A temperature sensor incorporates a band-gap type temperature sensor and 9-bit ADC (Sigma-Delta Analog-to-Digital Converter). The temperature data output of the LM75A is available at all times via the I²C bus. If a conversion is in progress, it will be stopped and restarted after the read. A digital comparator is also incorporated that compares a series of readings, the number of which is user-selectable, to user-programmable setpoint and hysteresis values. The comparator trips the O.S. output line, which is programmable for mode and polarity. The LM75A has an integrated low-pass filter on both the SDA and the SCL line. These filters increase communications reliability in noisy environments.

The LM75A also has a bus fault timeout feature. If the SDA line is held low for longer than t_{TIMEOUT} (see specification) the LM75A will reset to the IDLE state (SDA set to high impedance) and wait for a new start condition. The TIMEOUT feature is not functional in Shutdown Mode.

O.S. OUTPUT, T_{OS} AND T_{HYST} LIMITS

In Comparator mode the O.S. Output behaves like a thermostat. The output becomes active when temperature exceeds the T_{OS} limit, and leaves the active state when the temperature drops below the T_{HYST} limit. In this mode the O.S. output can be used to turn a cooling fan on, initiate an emergency system shutdown, or reduce system clock speed. Shutdown mode does not reset O.S. state in a comparator mode.

In Interrupt mode exceeding T_{OS} also makes O.S. active but O.S. will remain active indefinitely until reset by reading any register via the I²C interface. Once O.S. has been activated by crossing T_{OS}, then reset, it can be activated again only by Temperature going below T_{HYST}. Again, it will remain active indefinitely until being reset by a read. Placing the LM75A in shutdown mode also resets the O.S. Output.

POWER UP AND POWER DOWN

The LM75A always powers up in a known state. The power up default conditions are:

1. Comparator mode
2. T_{OS} = 80°C
3. T_{HYST} = 75°C
4. O.S. active low
5. Pointer = "00"

When the supply voltage is less than about 1.7V, the LM75A is considered powered down. As the supply voltage rises above the nominal 1.7V power up threshold, the internal registers are reset to the power up default values listed above.

STAND-ALONE THERMOSTAT MODE

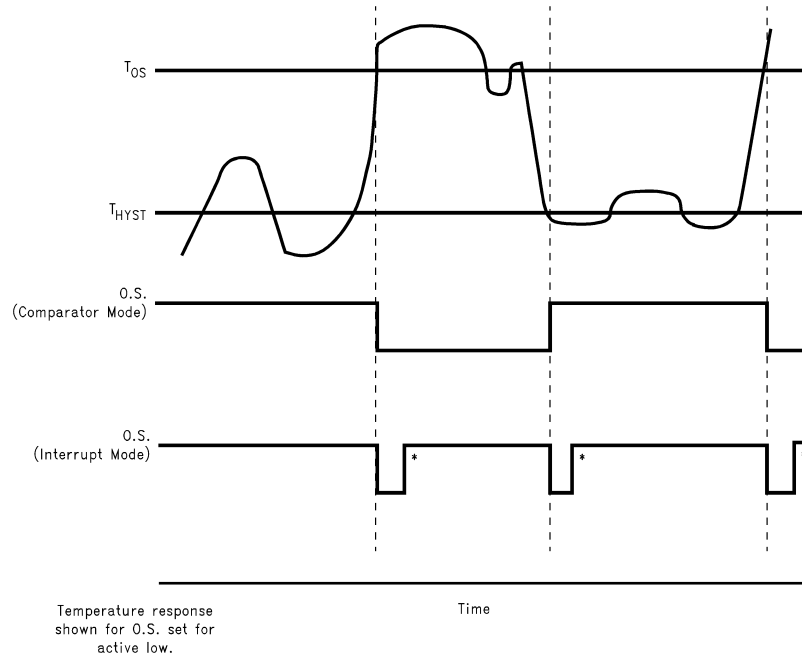
If the LM75A is *not connected* to the I²C bus on power up, it will act as a stand-alone thermostat with the power up default conditions listed above. It is optional, but recommended, to connect the address pins (A2, A1, A0) and the SCL and SDA pins together and to a 10k pull-up resistor to +V_S for better noise immunity. Any of these pins may also be tied high separately through a 10k pull-up resistor.

I²C BUS INTERFACE

The LM75A operates as a slave on the I²C bus, so the SCL line is an input (no clock is generated by the LM75A) and the SDA line is a bi-directional serial data path. According to I²C bus specifications, the LM75A has a 7-bit slave address. The four most significant bits of the slave address are hard wired inside the LM75A and are "1001". The three least significant bits of the address are assigned to pins A2–A0, and are set by connecting these pins to ground for a low, (0); or to +V_S for a high, (1).

Therefore, the complete slave address is:

1	0	0	1	A2	A1	A0
MSB						LSB



Temperature response shown for O.S. set for active low.

These interrupt mode resets of O.S. occur only when LM75A is read or placed in shutdown. Otherwise, O.S. would remain active indefinitely for any event.

Figure 8. O.S. Output Temperature Response Diagram

TEMPERATURE DATA FORMAT

Temperature data can be read from the Temperature, T_{OS} Set Point, and T_{HYST} Set Point registers; and written to the T_{OS} Set Point, and T_{HYST} Set Point registers. Temperature data is represented by a 9-bit, two's complement word with an LSB (Least Significant Bit) equal to 0.5°C :

Temperature	Digital Output	
	Binary	Hex
+125°C	0 1111 1010	0FAh
+25°C	0 0011 0010	032h
+0.5°C	0 0000 0001	001h
0°C	0 0000 0000	000h
-0.5°C	1 1111 1111	1FFh
-25°C	1 1100 1110	1CEh
-55°C	1 1001 0010	192h

SHUTDOWN MODE

Shutdown mode is enabled by setting the shutdown bit in the Configuration register via the I²C bus. Shutdown mode reduces power supply current significantly. See specified quiescent current specification in the electrical tables. In Interrupt mode O.S. is reset if previously set and is undefined in Comparator mode during shutdown. The I²C interface remains active. Activity on the clock and data lines of the I²C bus may slightly increase shutdown mode quiescent current. T_{OS} , T_{HYST} , and Configuration registers can be read from and written to in shutdown mode.

For the LM75A, the TIMEOUT feature is turned off in Shutdown Mode.

FAULT QUEUE

A fault queue of up to 6 faults is provided to prevent false tripping of O.S. when the LM75A is used in noisy environments. The number of faults set in the queue must occur consecutively to set the O.S. output.

COMPARATOR/INTERRUPT MODE

As indicated in the O.S. Output Temperature Response Diagram, [Figure 8](#), the events that trigger O.S. are identical for either Comparator or Interrupt mode. The most important difference is that in Interrupt mode the O.S. will remain set indefinitely once it has been set. To reset O.S. while in Interrupt mode, perform a read from any register in the LM75A.

O.S. OUTPUT

The O.S. output is an open-drain output and does not have an internal pull-up. A “high” level will not be observed on this pin until pull-up current is provided from some external source, typically a pull-up resistor. Choice of resistor value depends on many system factors but, in general, the pull-up resistor should be as large as possible. This will minimize any errors due to internal heating of the LM75A. The maximum resistance of the pull up, based on LM75A specification for High Level Output Current, to provide a 2V high level, is 30kΩ.

O.S. POLARITY

The O.S. output can be programmed via the configuration register to be either active low (default mode), or active high. In active low mode the O.S. output goes low when triggered exactly as shown on the O.S. Output Temperature Response Diagram, [Figure 8](#). Active high simply inverts the polarity of the O.S. output.

INTERNAL REGISTER STRUCTURE

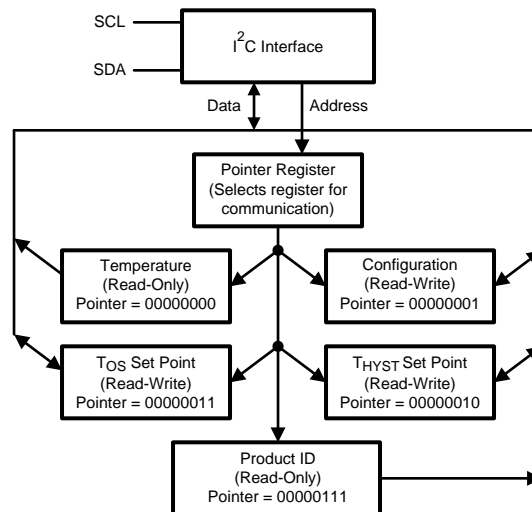


Figure 9.

There are four data registers in the LM75A and an additional Product ID register selected by the Pointer register. At power-up the Pointer is set to “000”; the location for the Temperature Register. The Pointer register latches whatever the last location it was set to. In Interrupt Mode, a read from the LM75A, or placing the device in shutdown mode, resets the O.S. output. All registers are read and write, except the Temperature register and the LM75A's Product ID register, which are read only.

A write to the LM75A will always include the address byte and the Pointer byte. A write to the Configuration register requires one data byte, and the T_{OS} and T_{HYST} registers require two data bytes.

Reading the LM75A can take place either of two ways: If the location latched in the Pointer is correct (most of the time it is expected that the Pointer will point to the Temperature register because it will be the data most frequently read from the LM75A), then the read can simply consist of an address byte, followed by retrieving the corresponding number of data bytes. If the Pointer needs to be set, then an address byte, pointer byte, repeat start, and another address byte will accomplish a read.

The first data byte is the most significant byte with most significant bit first, permitting only as much data as necessary to be read to determine temperature condition. For instance, if the first four bits of the temperature data indicates an overtemperature condition, the host processor could immediately take action to remedy the excessive temperatures. At the end of a read, the LM75A can accept either Acknowledge or No Acknowledge from the Master (No Acknowledge is typically used as a signal for the slave that the Master has read its last byte).

POINTER REGISTER (Selects which registers will be read from or written to):

P7	P6	P5	P4	P3	P2	P1	P0
0	0	0	0	0	Register Select		

P0-P1: Register Select:

P2	P1	P0	Register
0	0	0	Temperature (Read only) (Power-up default)
0	0	1	Configuration (Read/Write)
0	1	0	T _{HYST} (Read/Write)
0	1	1	T _{OS} (Read/Write)
1	1	1	Product ID Register

P3-P7: Must be kept zero.

TEMPERATURE REGISTER (Read Only):

D15	D14	D13	D12	D11	D10	D9	D8	D7	D6	D5	D4	D3	D2	D1	D0
MSB	Bit 7	Bit 6	Bit 5	Bit 4	Bit 3	Bit 2	Bit 1	LSB	X	X	X	X	X	X	X

D0-D6: Undefined. D7-D15: Temperature Data. One LSB = 0.5°C. Two's complement format.

CONFIGURATION REGISTER (Read/Write):

D7	D6	D5	D4	D3	D2	D1	D0
0	0	0	Fault Queue		O.S. Polarity	Cmp/Int	Shutdown

Power up default is with all bits "0" (zero).

D0: Shutdown: When set to 1 the LM75A goes to low power shutdown mode.

D1: Comparator/Interrupt mode: 0 is Comparator mode, 1 is Interrupt mode.

D2: O.S. Polarity: 0 is active low, 1 is active high. O.S. is an open-drain output under all conditions.

D3-D4: Fault Queue: Number of faults necessary to detect before setting O.S. output to avoid false tripping due to noise. Faults are determine at the end of a conversion. See specified temperature conversion time in the electrical tables.

D4	D3	Number of Faults
0	0	1 (Power-up default)
0	1	2
1	0	4
1	1	6

D5-D7: These bits are used for production testing and must be kept zero for normal operation.

T_{HYST} AND T_{OS} REGISTER (Read/Write):

D15	D14	D13	D12	D11	D10	D9	D8	D7	D6	D5	D4	D3	D2	D1	D0
MSB	Bit 7	Bit 6	Bit 5	Bit 4	Bit 3	Bit 2	Bit 1	LSB	X	X	X	X	X	X	X

D0–D6: Undefined D7–D15: T_{HYST} Or T_{OS} Trip Temperature Data. Power up default is T_{OS} = 80°C, T_{HYST} = 75°C

PROVID: PRODUCT ID REGISTER (Read Only) Pointer Address: 07h

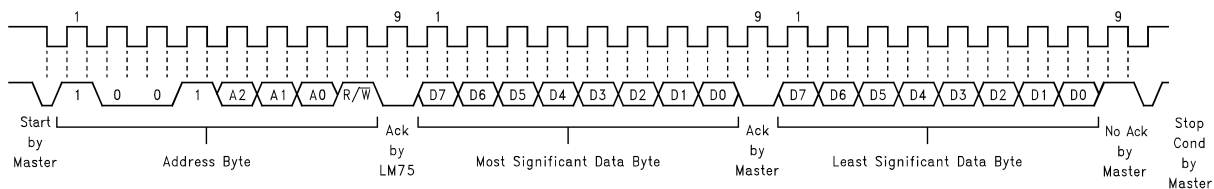
D7	D6	D5	D4	D3	D2	D1	D0
1	0	1	0	0	0	0	1

D4--D7 Product Identification Nibble. Always returns Ah to uniquely identify this part as the LM75A.

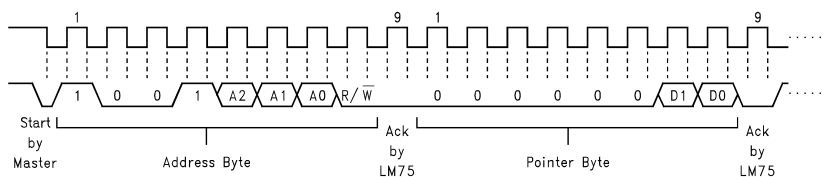
D0--D3 Die Revision Nibble. Returns 1h to uniquely identify the revision level as one.

TEST CIRCUIT DIAGRAMS

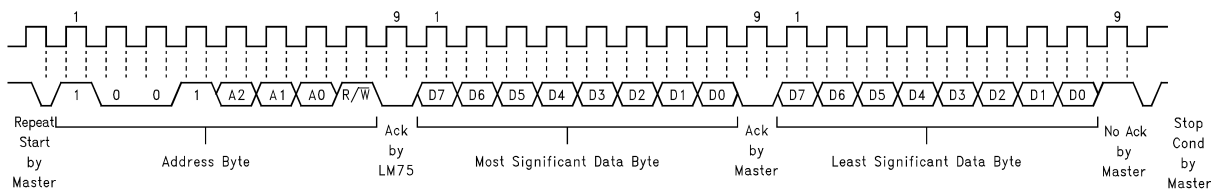
I²C TIMING DIAGRAMS



(a) Typical 2-Byte Read From Preset Pointer Location Such as Temp, T_{OS}, T_{HYST}



(b) Typical Pointer Set Followed by Immediate Read for 2-Byte Register such as Temp, T_{OS}, T_{HYST}



(c) Typical 1-Byte Read From Configuration Register With Preset Pointer

Figure 10. Timing Diagram

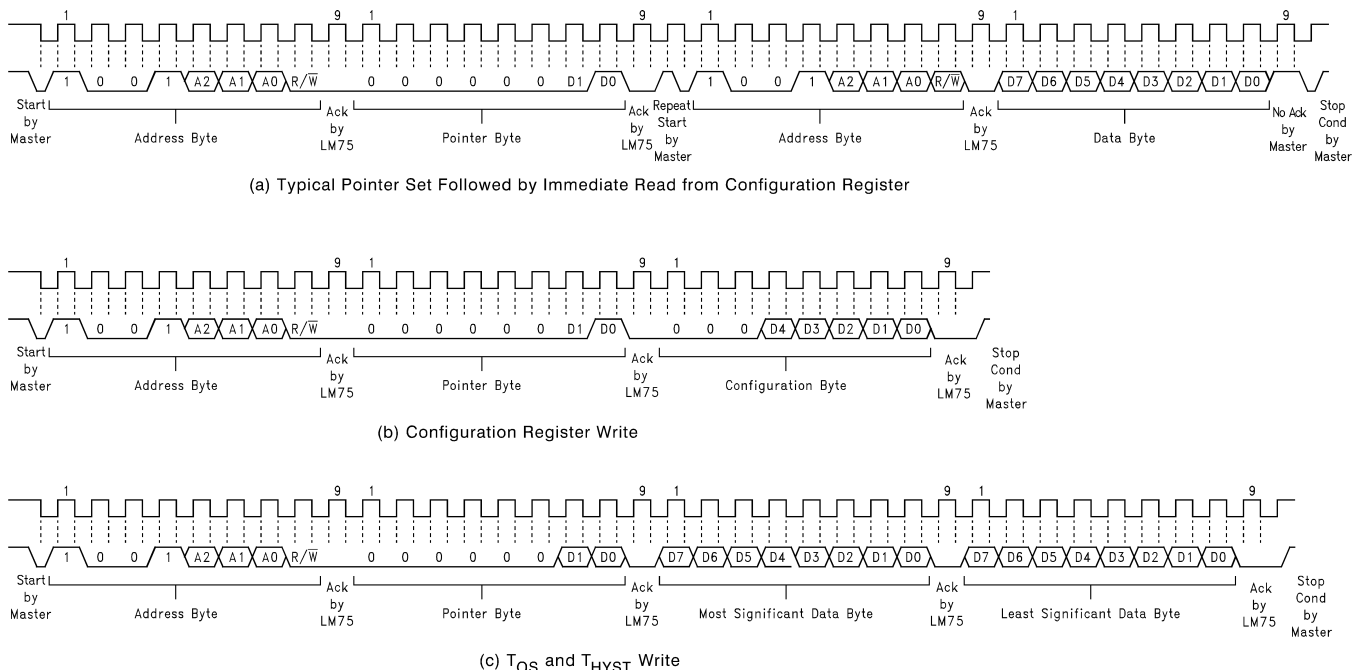


Figure 11. Timing Diagrams (Continued)

APPLICATION HINTS

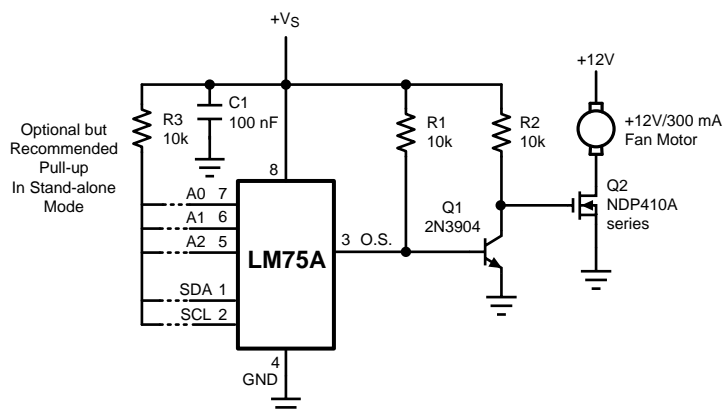
To get the expected results when measuring temperature with an integrated circuit temperature sensor like the LM75A, it is important to understand that the sensor measures its own die temperature. For the LM75A, the best thermal path between the die and the outside world is through the LM75A's pins. In the VSSOP-8 package, the GND pin is directly connected to the die, so the GND pin provides the best thermal path. If the other pins are at different temperatures (unlikely, but possible), they will affect the die temperature, but not as strongly as the GND pin. In the SOIC-8 package, none of the pins is directly connected to the die, so they will all contribute similarly to the die temperature. Because the pins represent a good thermal path to the LM75A die, the LM75A will provide an accurate measurement of the temperature of the printed circuit board on which it is mounted. There is a less efficient thermal path between the plastic package and the LM75A die. If the ambient air temperature is significantly different from the printed circuit board temperature, it will have a small effect on the measured temperature.

In probe-type applications, the LM75A can be mounted inside a sealed-end metal tube, and can then be dipped into a bath or screwed into a threaded hole in a tank. As with any IC, the LM75A and accompanying wiring and circuits must be kept insulated and dry, to avoid leakage and corrosion. This is especially true if the circuit may operate at cold temperatures where condensation can occur. Printed-circuit coatings and varnishes such as Humiseal and epoxy paints or dips are often used to insure that moisture cannot corrode the LM75A or its connections.

DIGITAL NOISE ISSUES

The LM75A features an integrated low-pass filter on both the SCL and the SDA digital lines to mitigate the effects of bus noise. Although this filtering makes the LM75A communication robust in noisy environments, good layout practices are always recommended. Minimize noise coupling by keeping digital traces away from switching power supplies. Also, ensure that digital lines containing high-speed data communications cross at right angles to the SDA and SCL lines. Excessive noise coupling into the SDA and SCL lines on the LM75A—specifically noise with amplitude greater than 400 mV_{pp} (the LM75A's typical hysteresis), overshoot greater than 300mV above +V_S, and undershoot more than 300 mV below GND—may prevent successful serial communication with the LM75A. Serial bus no-acknowledge is the most common symptom, causing unnecessary traffic on the bus. Although the serial bus maximum frequency of communication is only 400 kHz, care must be taken to ensure proper termination within a system with long printed circuit board traces or multiple parts on the bus.

TYPICAL APPLICATIONS



When using the two-wire interface: program O.S. for active high and connect O.S. directly to Q2's gate.

Figure 12. Simple Fan Controller, Interface Optional

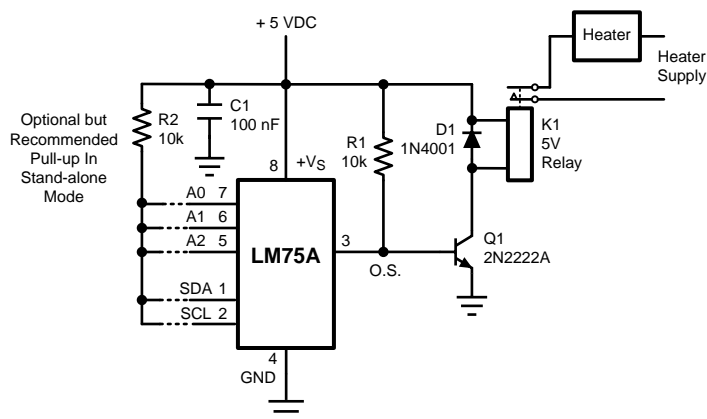


Figure 13. Simple Thermostat, Interface Optional

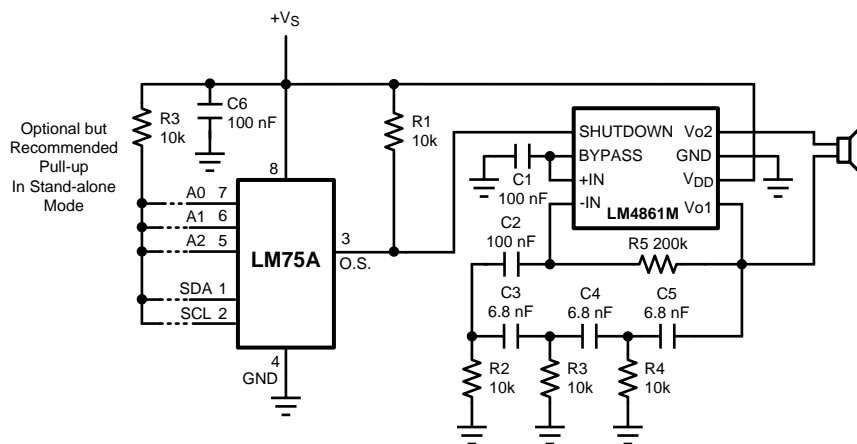


Figure 14. Temperature Sensor with Loudmouth Alarm (Barking Watchdog)

REVISION HISTORY

Changes from Revision N (May 2013) to Revision O	Page
• Changed layout of National Data Sheet to TI format	13

PACKAGING INFORMATION

Orderable Device	Status (1)	Package Type	Package Drawing	Pins	Package Qty	Eco Plan (2)	Lead/Ball Finish	MSL Peak Temp (3)	Op Temp (°C)	Top-Side Markings (4)	Samples
LM75AIM/NOPB	ACTIVE	SOIC	D	8	95	Green (RoHS & no Sb/Br)	CU SN	Level-1-260C-UNLIM	-55 to 125	LM75 AIM	Samples
LM75AIMM/NOPB	ACTIVE	VSSOP	DGK	8	1000	Green (RoHS & no Sb/Br)	CU SN	Level-1-260C-UNLIM	-55 to 125	T00A	Samples
LM75AIMME/NOPB	ACTIVE	VSSOP	DGK	8	250	Green (RoHS & no Sb/Br)	CU SN	Level-1-260C-UNLIM	-55 to 125	T00A	Samples
LM75AIMMX/NOPB	ACTIVE	VSSOP	DGK	8	3500	Green (RoHS & no Sb/Br)	CU SN	Level-1-260C-UNLIM	-55 to 125	T00A	Samples
LM75AIMX/NOPB	ACTIVE	SOIC	D	8	2500	Green (RoHS & no Sb/Br)	CU SN	Level-1-260C-UNLIM	-55 to 125	LM75 AIM	Samples

(1) The marketing status values are defined as follows:

ACTIVE: Product device recommended for new designs.

LIFEBUY: TI has announced that the device will be discontinued, and a lifetime-buy period is in effect.

NRND: Not recommended for new designs. Device is in production to support existing customers, but TI does not recommend using this part in a new design.

PREVIEW: Device has been announced but is not in production. Samples may or may not be available.

OBSOLETE: TI has discontinued the production of the device.

(2) Eco Plan - The planned eco-friendly classification: Pb-Free (RoHS), Pb-Free (RoHS Exempt), or Green (RoHS & no Sb/Br) - please check <http://www.ti.com/productcontent> for the latest availability information and additional product content details.

TBD: The Pb-Free/Green conversion plan has not been defined.

Pb-Free (RoHS): TI's terms "Lead-Free" or "Pb-Free" mean semiconductor products that are compatible with the current RoHS requirements for all 6 substances, including the requirement that lead not exceed 0.1% by weight in homogeneous materials. Where designed to be soldered at high temperatures, TI Pb-Free products are suitable for use in specified lead-free processes.

Pb-Free (RoHS Exempt): This component has a RoHS exemption for either 1) lead-based flip-chip solder bumps used between the die and package, or 2) lead-based die adhesive used between the die and leadframe. The component is otherwise considered Pb-Free (RoHS compatible) as defined above.

Green (RoHS & no Sb/Br): TI defines "Green" to mean Pb-Free (RoHS compatible), and free of Bromine (Br) and Antimony (Sb) based flame retardants (Br or Sb do not exceed 0.1% by weight in homogeneous material)

(3) MSL, Peak Temp. -- The Moisture Sensitivity Level rating according to the JEDEC industry standard classifications, and peak solder temperature.

(4) Multiple Top-Side Markings will be inside parentheses. Only one Top-Side Marking contained in parentheses and separated by a "~" will appear on a device. If a line is indented then it is a continuation of the previous line and the two combined represent the entire Top-Side Marking for that device.

Important Information and Disclaimer: The information provided on this page represents TI's knowledge and belief as of the date that it is provided. TI bases its knowledge and belief on information provided by third parties, and makes no representation or warranty as to the accuracy of such information. Efforts are underway to better integrate information from third parties. TI has taken and continues to take reasonable steps to provide representative and accurate information but may not have conducted destructive testing or chemical analysis on incoming materials and chemicals. TI and TI suppliers consider certain information to be proprietary, and thus CAS numbers and other limited information may not be available for release.

In no event shall TI's liability arising out of such information exceed the total purchase price of the TI part(s) at issue in this document sold by TI to Customer on an annual basis.

TAPE AND REEL INFORMATION

QUADRANT ASSIGNMENTS FOR PIN 1 ORIENTATION IN TAPE


*All dimensions are nominal

Device	Package Type	Package Drawing	Pins	SPQ	Reel Diameter (mm)	Reel Width W1 (mm)	A0 (mm)	B0 (mm)	K0 (mm)	P1 (mm)	W (mm)	Pin1 Quadrant
LM75AIMM/NOPB	VSSOP	DGK	8	1000	178.0	12.4	5.3	3.4	1.4	8.0	12.0	Q1
LM75AIMME/NOPB	VSSOP	DGK	8	250	178.0	12.4	5.3	3.4	1.4	8.0	12.0	Q1
LM75AIMMX/NOPB	VSSOP	DGK	8	3500	330.0	12.4	5.3	3.4	1.4	8.0	12.0	Q1
LM75AIMX/NOPB	SOIC	D	8	2500	330.0	12.4	6.5	5.4	2.0	8.0	12.0	Q1

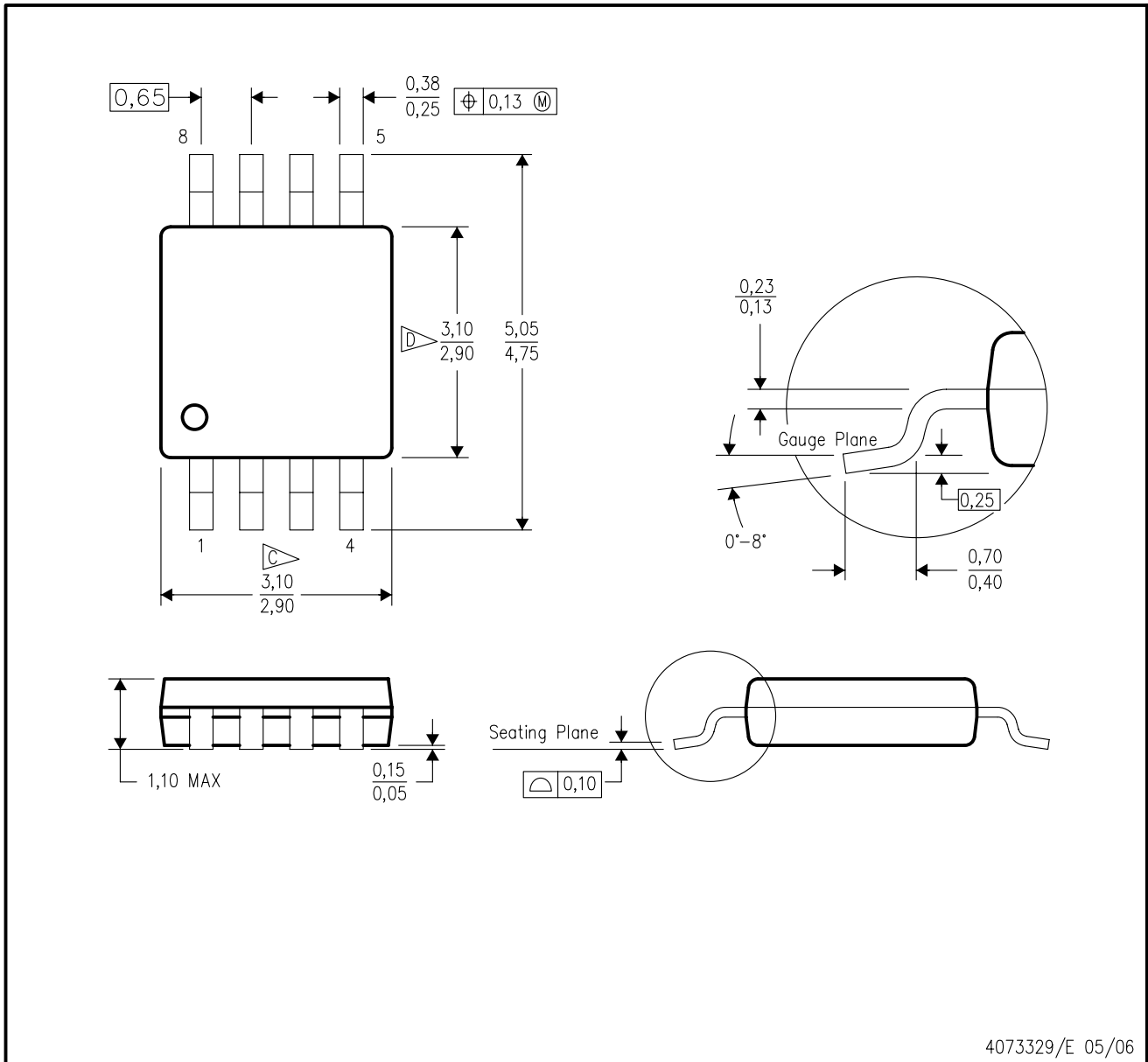
TAPE AND REEL BOX DIMENSIONS


*All dimensions are nominal

Device	Package Type	Package Drawing	Pins	SPQ	Length (mm)	Width (mm)	Height (mm)
LM75AIMM/NOPB	VSSOP	DGK	8	1000	210.0	185.0	35.0
LM75AIMME/NOPB	VSSOP	DGK	8	250	210.0	185.0	35.0
LM75AIMMX/NOPB	VSSOP	DGK	8	3500	367.0	367.0	35.0
LM75AIMX/NOPB	SOIC	D	8	2500	367.0	367.0	35.0

DGK (S-PDSO-G8)

PLASTIC SMALL-OUTLINE PACKAGE



- NOTES:
- A. All linear dimensions are in millimeters.
 - B. This drawing is subject to change without notice.
 - C. Body length does not include mold flash, protrusions, or gate burrs. Mold flash, protrusions, or gate burrs shall not exceed 0.15 per end.
 - D. Body width does not include interlead flash. Interlead flash shall not exceed 0.50 per side.
 - E. Falls within JEDEC MO-187 variation AA, except interlead flash.

D (R-PDSO-G8)

PLASTIC SMALL OUTLINE



- NOTES:
- A. All linear dimensions are in inches (millimeters).
 - B. This drawing is subject to change without notice.
 - $\triangle C$ Body length does not include mold flash, protrusions, or gate burrs. Mold flash, protrusions, or gate burrs shall not exceed 0.006 (0,15) each side.
 - $\triangle D$ Body width does not include interlead flash. Interlead flash shall not exceed 0.017 (0,43) each side.
 - E. Reference JEDEC MS-012 variation AA.

IMPORTANT NOTICE

Texas Instruments Incorporated and its subsidiaries (TI) reserve the right to make corrections, enhancements, improvements and other changes to its semiconductor products and services per JESD46, latest issue, and to discontinue any product or service per JESD48, latest issue. Buyers should obtain the latest relevant information before placing orders and should verify that such information is current and complete. All semiconductor products (also referred to herein as "components") are sold subject to TI's terms and conditions of sale supplied at the time of order acknowledgment.

TI warrants performance of its components to the specifications applicable at the time of sale, in accordance with the warranty in TI's terms and conditions of sale of semiconductor products. Testing and other quality control techniques are used to the extent TI deems necessary to support this warranty. Except where mandated by applicable law, testing of all parameters of each component is not necessarily performed.

TI assumes no liability for applications assistance or the design of Buyers' products. Buyers are responsible for their products and applications using TI components. To minimize the risks associated with Buyers' products and applications, Buyers should provide adequate design and operating safeguards.

TI does not warrant or represent that any license, either express or implied, is granted under any patent right, copyright, mask work right, or other intellectual property right relating to any combination, machine, or process in which TI components or services are used. Information published by TI regarding third-party products or services does not constitute a license to use such products or services or a warranty or endorsement thereof. Use of such information may require a license from a third party under the patents or other intellectual property of the third party, or a license from TI under the patents or other intellectual property of TI.

Reproduction of significant portions of TI information in TI data books or data sheets is permissible only if reproduction is without alteration and is accompanied by all associated warranties, conditions, limitations, and notices. TI is not responsible or liable for such altered documentation. Information of third parties may be subject to additional restrictions.

Resale of TI components or services with statements different from or beyond the parameters stated by TI for that component or service voids all express and any implied warranties for the associated TI component or service and is an unfair and deceptive business practice. TI is not responsible or liable for any such statements.

Buyer acknowledges and agrees that it is solely responsible for compliance with all legal, regulatory and safety-related requirements concerning its products, and any use of TI components in its applications, notwithstanding any applications-related information or support that may be provided by TI. Buyer represents and agrees that it has all the necessary expertise to create and implement safeguards which anticipate dangerous consequences of failures, monitor failures and their consequences, lessen the likelihood of failures that might cause harm and take appropriate remedial actions. Buyer will fully indemnify TI and its representatives against any damages arising out of the use of any TI components in safety-critical applications.

In some cases, TI components may be promoted specifically to facilitate safety-related applications. With such components, TI's goal is to help enable customers to design and create their own end-product solutions that meet applicable functional safety standards and requirements. Nonetheless, such components are subject to these terms.

No TI components are authorized for use in FDA Class III (or similar life-critical medical equipment) unless authorized officers of the parties have executed a special agreement specifically governing such use.

Only those TI components which TI has specifically designated as military grade or "enhanced plastic" are designed and intended for use in military/aerospace applications or environments. Buyer acknowledges and agrees that any military or aerospace use of TI components which have **not** been so designated is solely at the Buyer's risk, and that Buyer is solely responsible for compliance with all legal and regulatory requirements in connection with such use.

TI has specifically designated certain components as meeting ISO/TS16949 requirements, mainly for automotive use. In any case of use of non-designated products, TI will not be responsible for any failure to meet ISO/TS16949.

Products

Audio	www.ti.com/audio
Amplifiers	amplifier.ti.com
Data Converters	dataconverter.ti.com
DLP® Products	www.dlp.com
DSP	dsp.ti.com
Clocks and Timers	www.ti.com/clocks
Interface	interface.ti.com
Logic	logic.ti.com
Power Mgmt	power.ti.com
Microcontrollers	microcontroller.ti.com
RFID	www.ti-rfid.com
OMAP Applications Processors	www.ti.com/omap
Wireless Connectivity	www.ti.com/wirelessconnectivity

Applications

Automotive and Transportation	www.ti.com/automotive
Communications and Telecom	www.ti.com/communications
Computers and Peripherals	www.ti.com/computers
Consumer Electronics	www.ti.com/consumer-apps
Energy and Lighting	www.ti.com/energy
Industrial	www.ti.com/industrial
Medical	www.ti.com/medical
Security	www.ti.com/security
Space, Avionics and Defense	www.ti.com/space-avionics-defense
Video and Imaging	www.ti.com/video

TI E2E Community

e2e.ti.com