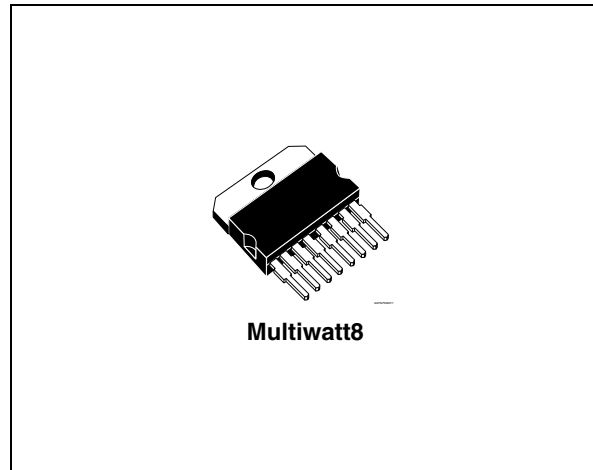


Car alternator multifunction smart voltage regulator

Datasheet – production data

Features

- Fully monolithic design
- High side field driver
- Thermal protection
- Field short circuit protection
- Protected diagnostic lamp driver
- Protected high side relay driver
- Complex diagnostics
- Load response control
- DFM output (field monitor)



Description

The L9911 is a monolithic multifunction alternator voltage regulator intended for use in automotive application.

It includes the control section, the field power stage, fault diagnostic circuit which drives a warning lamp, and the protection against short circuits.

Table 1. Device summary

Order code	Temp. range, °C	Package	Packing
L9911F	$T_j = -40$ to $+150$	Multiwatt8	Tube
L9911I			
L9911P			
L9911V			
L9911K			
L9911U			

Contents

1	Circuit operation	5
1.1	Voltage regulation	5
1.2	Protection	5
1.3	Diagnosis	5
1.4	Load response control	5
2	Pin description	6
3	Electrical specification	7
3.1	Absolute maximum ratings	7
3.2	Thermal data	7
3.3	Electrical characteristics	7
3.4	Principle of phase regulation	14
4	Package information	17
5	Revision history	18

List of tables

Table 1.	Device summary	1
Table 2.	Pin description	6
Table 3.	Absolute maximum ratings	7
Table 4.	Thermal data	7
Table 5.	Electrical characteristics	7
Table 6.	Load response control parameters	10
Table 7.	Load response control timing options	10
Table 8.	Correspondence of frequency (typical values) to application features	11
Table 9.	Customization of L9911: combination of LRC, regulation, and application options	11
Table 10.	Fault detection	16
Table 11.	Document revision history	18

List of figures

Figure 1.	Pin connection (top view)	6
Figure 2.	V_{reg-1}	11
Figure 3.	V_{reg-2}	12
Figure 4.	V_{reg-3}	12
Figure 5.	V_{reg-4}	13
Figure 6.	Output voltage rise/fall time (F+, DFM)	13
Figure 7.	Phase regulation characteristics	13
Figure 8.	Application diagram	14
Figure 9.	High side/low side driver saturation	14
Figure 10.	Test mode to cancel soft-start/attack	14
Figure 11.	Soft-start enable frequency range	14
Figure 12.	Soft-start characteristics (always activated at engine start)	15
Figure 13.	Soft start/attack characteristics	15
Figure 14.	DF monitor electrical configuration	16
Figure 15.	Short circuit drivers' protection	16
Figure 16.	Multiwatt8 mechanical data and package dimensions	17

1 Circuit operation

The alternator's voltage regulator performs the following main functions:

1. voltage regulation
2. protection
3. control fault diagnosis
4. load response control

1.1 Voltage regulation

The alternator voltage is compared with a reference voltage in an amplifier, whose output determines the switching frequency of output power MOS whose current excites the coil of the alternator; as the regulator is in fixed-frequency topology, the field switching frequency does not depend on the alternator characteristics. The regulators have an integrated filter in the voltage sensing path guaranteeing the correct behaviour of the devices also when the rectifier diodes feature very high switching spikes. The internal filtering allows the usage of the device also with very long cables connecting the alternator to the battery with an impedance so high to cause a superimposed ripple on the alternator voltage higher than 5-6V. Consequently it doesn't need, in the standard application, any external component. Anyway an external capacitor (2.2 μ F) must be inserted between A+ and ground when using the device with very long cables.

1.2 Protection

It is present a protection against short circuits of the lamp and the relay power drivers (L) and of the field power driver (F+), a thermal drivers shutdown protection and an overvoltage protection of L power drivers.

1.3 Diagnosis

The circuit detects fault conditions related to the phase and F+ status and receives informations from one of the three alternator phases. In order to prevent spurious indications, fault warnings are not displayed immediately but are delayed by a fixed time.

1.4 Load response control

The internal circuit regulates the soft start characteristics (activated always at engine start) and the soft attack characteristics.

2 Pin description

Figure 1. Pin connection (top view)

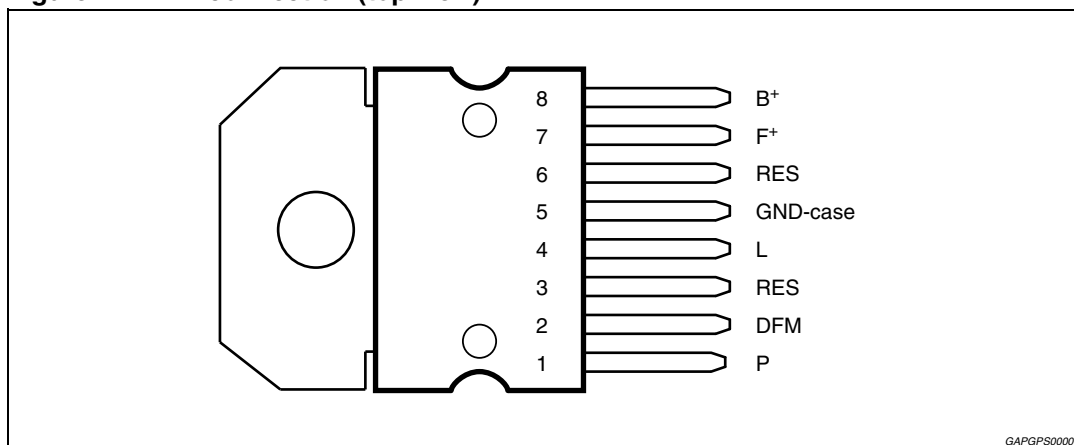


Table 2. Pin description

N°	Pin	Function
1	P	Phase sense input.
2	DFM	Field monitor output.
3	RES	Reserved.
4	L	Lamp terminal low side driver; relay terminal high side driver.
5	GND-case	Ground.
6	RES	Reserved.
7	F+	High side driver output.
8	B+	Sensed power supply.

3 Electrical specification

3.1 Absolute maximum ratings

$T_j = -40$ to 150 °C, unless otherwise specified.

Table 3. Absolute maximum ratings

Symbol	Parameter	Value	Unit
V_S	DC supply voltage (2 min. @ 25 °C)	24	V
-	Transient supply voltage (load dump) [see Figure 8] $t < 500$ ms	40	V
-	Transient supply voltage (low energy spikes) (see Figure 8) ISO7637-1 pulse 1,2,3 /ISO7637-3	60	V
T_j	Junction temperature range	-40 to 150	°C
T_{stg}, T_{case}	Storage and case temperature range	-40 to 150	°C
P_{tot}	Total power dissipation (@ $T_{case} \leq 150$ °C, $I_{field} \leq 5$ A)	4	W
-	Reverse battery voltage (see Figure 8) @ 25 °C, $T = 15$ sec.	-2.5	V
-	Normal working condition reverse voltage (P vs. GND)	-1.5	V
-	DC pin current on F+, B+, GND (bonding limitation)	15	A
-	ESD voltage MILSTD883C (All pins vs.GND)	± 4	KV

3.2 Thermal data

Table 4. Thermal data

Symbol	Parameter	Value	Unit
$R_{th j-case}$	Thermal resistance junction-to-case	≤ 1.5	°C/W

3.3 Electrical characteristics

$T_j = -40$ °C to 150 °C; unless otherwise specified.

Table 5. Electrical characteristics

Symbol	Parameter	Test condition	Min.	Typ.	Max.	Unit
V_{bat}	Operating supply voltage	-	7	-	18	V
$I_{b-sinked}$	Supply battery current	-	-	-	25	mA
I_{b-stby}	Stand-by current	$B+ = 12.5$ V, $F+ = 0$ V	-	-	500	μ A

Table 5. Electrical characteristics (continued)

Symbol	Parameter	Test condition	Min.	Typ.	Max.	Unit
$V_{reg\ 1}$	Regulated voltage & thermal drift. 3 configurations available, selectable by mask option (see Table 8).	$I_{alt} = 1\ A - 0.9 \cdot I_{nom}$; $T_{case} = 20\ ^\circ C$; $1400 < rpm < RPMMAX$ (see Figure 2)	14.0 -4.5	14.4 -3.5	14.8 -2.5	V mV/ $^\circ C$
$V_{reg\ 2}$		$I_{alt} = 10\ A$; $T_{case} = 23\ ^\circ C$; rpm = 6000 rpm; 15 V max. (see Figure 3)	14.35 -11.8	14.5 -10	14.65 -8.2	V mV/ $^\circ C$
$V_{reg\ 3}$		$I_{alt} = 10\ A$; $T_{case} = 23\ ^\circ C$; rpm = 6000 rpm (see Figure 4)	14.35 -6	14.5 -4	14.65 -2	V mV/ $^\circ C$
$V_{reg\ 4}$		$I_{alt} = 10\ A$; $T_{case} = 23\ ^\circ C$; rpm = 6000 rpm (see Figure 5)	13.95 -3.5	14.2 -2.5	14.3 -1.5	V mV/ $^\circ C$
ΔV_{rpm}	-	$1400 < rpm < RPMMAX$; $I_{alt} = 10\ A$	-	-	200	mV
ΔV_{load}	-	$5\ A < I_{alt} < I_{nom}$; rpm = 6000 rpm	-	-	250	mV
$V_{reg-less}$	Reg. voltage without battery	$I_{alt} = 3\ A$ resistive; $T_{case} = 25\ ^\circ C$; $2000 < rpm < RPMMAX$	12	-	16	V
V_{ov-p}	Overvoltage protection threshold	Voltage on pin B+ to disable L drivers High and low side driver off	18	-	22	V
V_{ov-d}	Overvoltage diagnosis threshold	VB+ to turn on L low side driver at $V_{F+} > V_{S1}$	$V_{reg} - 5\%$	V_{reg}	$V_{reg} + 5\%$	V
T_{j-sd}	Thermal shutdown threshold	Temperature to disable F+, DFM, L (high & low side drivers)	160	175	190	$^\circ C$
$T_{j-sd-dwn}$	Thermal shut-down hysteresis	L/F+/DFM from OFF STATE (due to thermal shutdown) to ON STATE	$T_{j-sd} - 10$	-	$T_{j-sd} - 2$	$^\circ C$
V_{uv-1}	Under voltage diagnosis threshold	VB+ to turn on L low side driver	7.7	8.6	9.5	V
V_{uv-up}		VB+ to turn off L low side driver	$V_{uv} + 0.40$	$V_{uv} + 0.75$	$V_{uv} + 1.2$	V
$V_{F+_{sat}}$	Field driver saturation voltage	$T_j = 150\ ^\circ C$; $I = 4.5\ A$	-	-	0.6	V
		$T_j = 25\ ^\circ C$; $I = 7\ A$	-	-	0.55	V
V_f	Freewheeling diode F+	$I = 5\ A$	-	-	2	V
I_{f_SCTH}	Field short circuit driver protection threshold current (see Figure 15)	$F+ = 0\ V$; $T_j = -40\ ^\circ C$	11	-	18	A
		$F+ = 0\ V$; $T_j = -25\ ^\circ C$	9.5	-	18	A
		$F+ = 0\ V$; $T_j = -150\ ^\circ C$	9	-	18	A
V_{s1}	Field driver ON-state detection	-	4.5	-	5.5	V
f_{pre}	Pre-excitation frequency	-	283	333	383	Hz
Duty-pre	Pre-excitation Field driver ON-duty	-	15.93	18.75	21.57	%
t_r	Output voltage rise time	$I_{field} = 3\ A$ resistive (see Figure 6)	10	-	50	μs
t_f	Output voltage fall time		10	-	50	μs
F_{sw_F+}	Field switching frequency	$I_{alt} = 1\ A - 0.9 \cdot I_{nom}$; $1400\ rpm < rpm < RPMMAX$	250	-	400	Hz

Table 5. Electrical characteristics (continued)

Symbol	Parameter	Test condition	Min.	Typ.	Max.	Unit
If_leak	Output field driver leakage current	$B_+ = 24\text{ V}; V_{F_+} = 0$	-	-	10	μA
DUTY-PR	Phase regulation max field ON duty	see Figure 7	26.56	31.25	35.94	%
V_{H_SAT}	High side driver saturation Voltage (see Figure 9)	With driver $I_{source} = 500\text{ mA}$	-	-	1.5	V
V_{L_SAT}	Low side driver saturation voltage (see Figure 9)	With driver $I_{sink} = 500\text{ mA}$	-	-	1.5	V
V_{LSB}	Self bias without supply lamp driver voltage	B_+ open; L connected to 12 V through a 50 Ohm resistor	-	-	4	V
I_{HSC}	High side driver short circuit current protection	$B_+ = 12.5\text{ V}; L = \text{GND}$	1.2	-	3	A
I_{LSC}	Low side driver short circuit current (see Figure 15)	$B_+ = L = 12.5\text{ V}$	1	-	2	A
V_{thL}	Enable regulator supply voltage threshold	-	0.8	-	1.15	V
I_{pd_L}	L terminal pull-down current when the generator is not rotating	$V_L = 0.6\text{ V}$	0.4	-	3.5	mA
I_{L_sink}	L sink current when the generator is rotating	P frequency 500 Hz; $V_{B_+} = 12\text{ V}$	-	-	100	μA
t_D	Diagnostic alarm delay time	-	0.2	-	0.5	s
V_{can_DFM}	Test mode to cancel soft start/attack (voltage)	(see Figure 10)	30	-	50	V
t_{can_DFM}	Test mode delay time		25	-	-	ms
V_{PHL1}	Enable control voltage input high threshold	-	-	-	0.40	V
V_{PHL2}	Enable control voltage input low threshold	-	-	-	0.25 ⁽¹⁾	V
t_{PHL1}	Enable Control Voltage Phase Filtering Time	-	50	-	115	μs
V_{PHH1}	Diagnosis phase loss input high threshold	-	8	9	10	V
V_{PHH2_1}	Diagnosis phase loss input low threshold	-	6.4	7.4	8.4	V
t_{PHd}	Diagnostic phase filtering time	-	50	-	100	μs
I_{Pd_P1}	Phase pull-down current	$V_P = 0.8\text{ V}$	1	-	8	mA
f_{dfm}	DFM output open drain switching freq.	$I_{alt} = 1\text{ A} \sim 0.9 \cdot I_{nom}$; 1400 rpm < rpm < RPMMAX; $I_{sink} = 4\text{ mA}$	125	-	200	Hz
V_{L_DFM}	Output low voltage saturation	$I_{sink} = 14\text{ mA}$	-	-	1.5	V
I_{SC_DFM}	Short circuit current protection	$V_{B_+} = V_{DFM} = 12.5\text{ V}$	50	-	400	mA
I_{lk_DFM}	Output leakage current	$V_{DFM} = 16\text{ V}$ at DFM driver OFF	-	-	5	μA

Table 5. Electrical characteristics (continued)

Symbol	Parameter	Test condition	Min.	Typ.	Max.	Unit
t _{TM}	Output voltage rise time	R = 1 kΩ (see Figure 6)	0.5	-	50	μs
t _{TD}	Output voltage fall time		0.5	-	50	

1. Guaranteed by design.

Table 6. Load response control parameters

Symbol	Parameter	Test Condition	Min.	Typ.	Max.	Unit
t _{ST_1}	Soft start delay time (see Figure 12) 2 steps available, selectable by mask option (see Table 7).	Activated always at engine start	-	0-	-	s
t _{ST_2}			1.73	2	2.35	s
t _{SL_1}	Soft attack time / soft start time (see Figure 12). 2 steps available, selectable by mask option (see Table 7).	From 0 to 100 % field duty cycle	2.13	2.5	2.87	s
t _{SL_2}			7.65	9	10.35	
EN-RES (constant)	Reset frequency range to enable regulation; Frequency judged after 4 periods (see Figure 11)	-	40	50	60	Hz
EN-1	Soft start enable (EN) and LRC disable (DISAB) frequency ranges. 4 configurations available, selectable by mask option (possible combinations in Table 8). Always activated at engine start. Frequencies judged after 4 periods (see Figure 11)	T _j = 25 °C	108	120	132	Hz
		T _j = -40 to150 °C	102	120	138	Hz
EN-2		T _j = 25 °C	131	145	159	Hz
		T _j = -40 to150 °C	124	145	166	Hz
EN-3		T _j = 25 °C	144	160	176	Hz
		T _j = -40 to150 °C	136	160	184	Hz
EN-4		T _j = 25 °C	174	193	212	Hz
		T _j = -40 to150 °C	165	193	221	Hz
DISAB-1		T _j = 25 °C	270	300	330	Hz
		T _j = -40 to150 °C	255	300	345	Hz
DISAB-2	T _j = 25 °C	315	350	385	Hz	
	T _j = -40 to150 °C	298	350	402	Hz	
DISAB-3	T _j = 25 °C	367	408	449	Hz	
	T _j = -40 to150 °C	347	408	469	Hz	
DISAB-4	T _j = 25 °C	420	466	512	Hz	
	T _j = -40 to150 °C	397	466	535	Hz	

Table 7. Load response control timing options

-	t _{SL} = 2.5 s	t _{SL} = 9 s
t _{ST} = 0 s	LRC-A	LRC-D
t _{ST} = 0.5 s	LRC-C	-
t _{ST} = 2 s	LRC-E	LRC-B

Table 8. Correspondence of frequency (typical values) to application features

Alternator revolution speed (rpm)			6 pole pairs	8 pole pairs
Typical configuration A (Config-A)	Initiate regulation	1200	EN-1	EN-3
	LRC Cut	3000	DISAB-1	DISAB-3
Typical configuration B (Config-B)	Initiate Regulation	1450	EN-2	EN-4
	LRC Cut	3000	DISAB-1	DISAB-3
Typical configuration C (Config-C)	Initiate Regulation	1450	EN-2	EN-4
	LRC Cut	3500	DISAB-2	EN-4

Considering the overall WW application scenario, there is a direct correspondence between Typical configurations A/B and regulation curve Vreg-1, and between typical configuration C and regulation curves V_{reg-2} and V_{reg-3}. This is allowing the summary of all possible customization for L9911 in the table below.

Table 9. Customization of L9911: combination of LRC, regulation, and application options

LRC timing options	Vreg-1/Config-A		Vreg-1/Config-B		Vreg-2/Config-B		Vreg-2/Config-A		Vreg-4/Config-A	
	6 Pole Pairs	8 Pole Pairs	6 Pole Pairs	8 Pole Pairs	6 Pole Pairs	8 Pole Pairs	6 Pole Pairs	8 Pole Pairs	6 Pole Pairs	8 Pole Pairs
LRC-A	L9911P	nya	nya	nya	nya	nya	nya	nya	L9911K	nya
LRC-B	nya	nya	L9911F	nya	L9911I	nya	nya	nya	nya	nya
LRC-C	nya	nya	nya	nya	nya	nya	L9911V	nya	nya	nya
LRC-D	nya	nya	nya	nya	nya	nya	nya	nya	nya	nya
LRC-E	L9911U	nya	nya	nya	nya	nya	nya	nya	nya	nya

Figure 2. V_{reg-1}

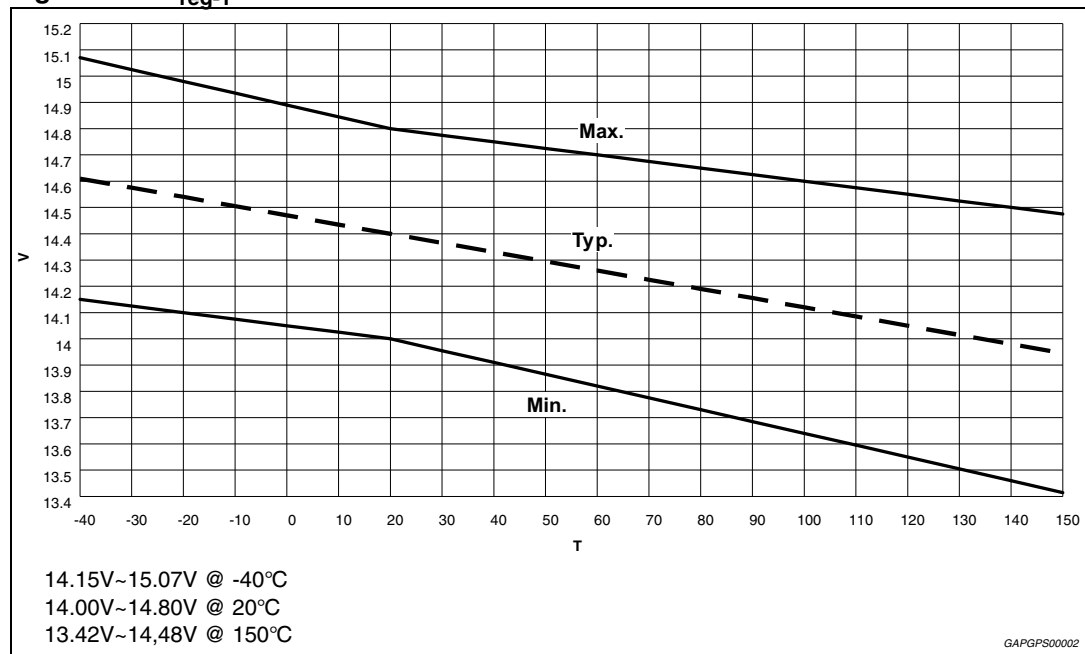


Figure 3. V_{reg-2}

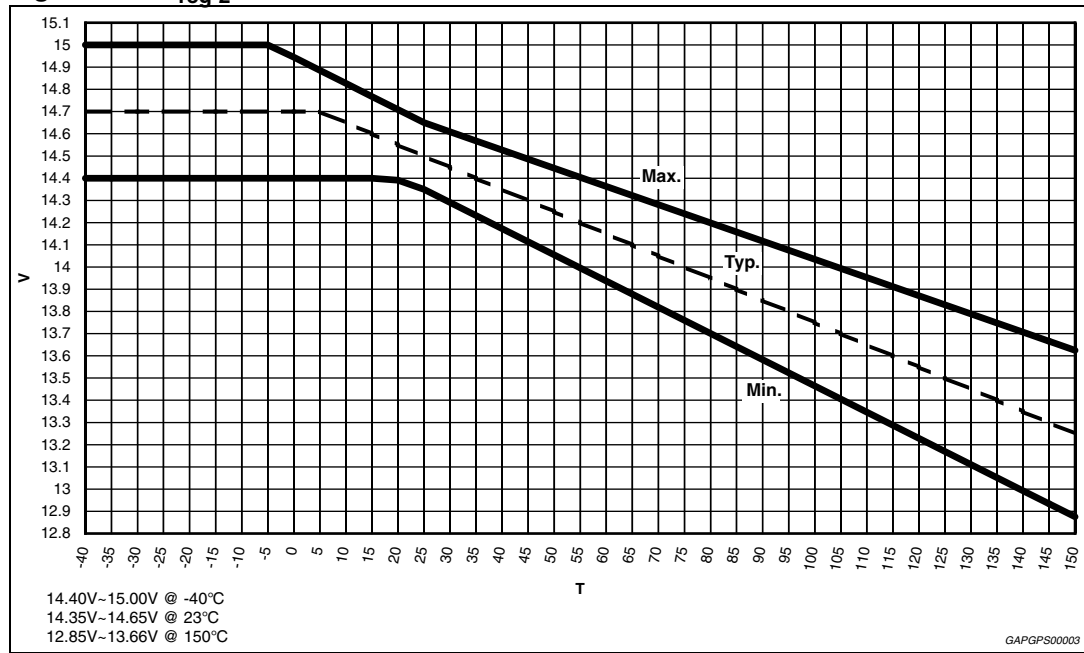


Figure 4. V_{reg-3}

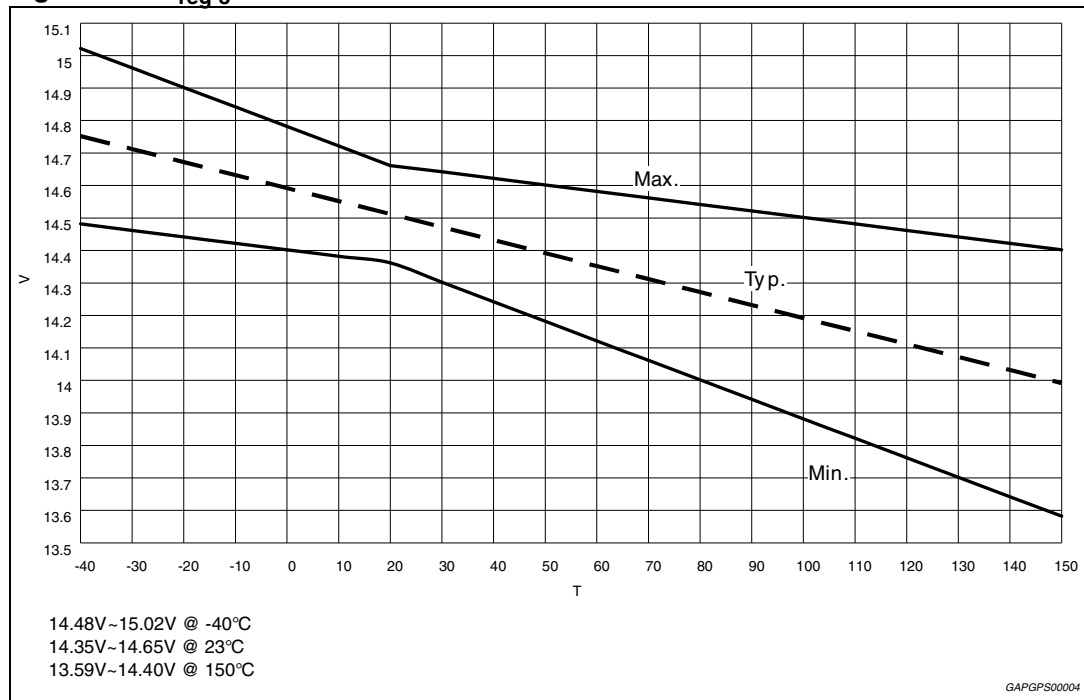


Figure 5. V_{reg-4}

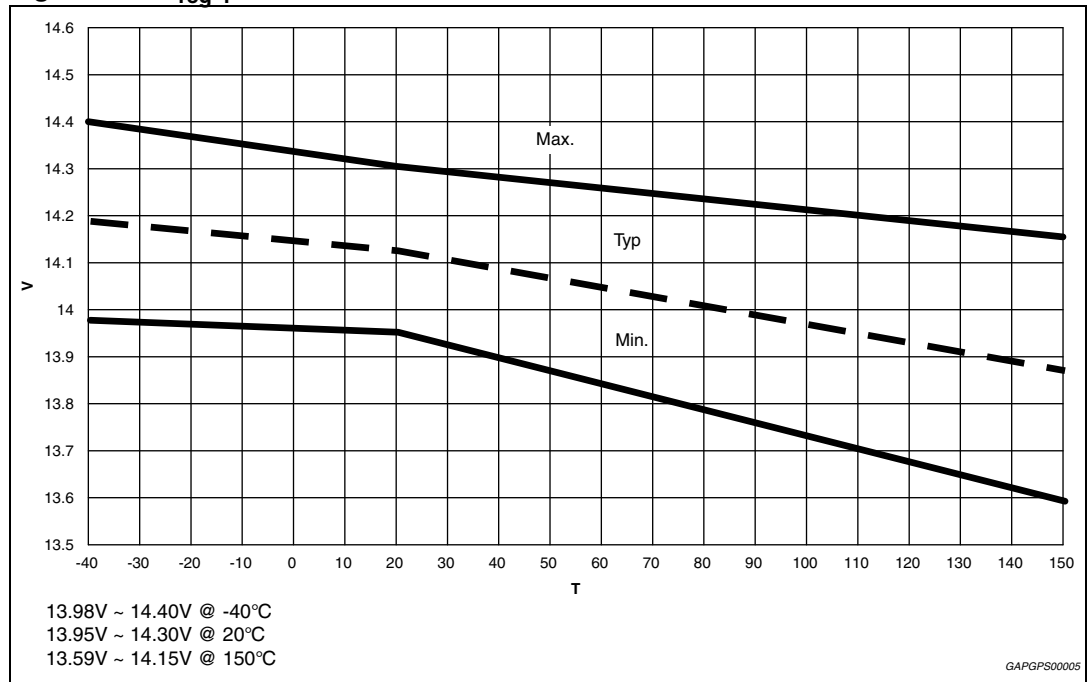


Figure 6. Output voltage rise/fall time (F+, DFM)

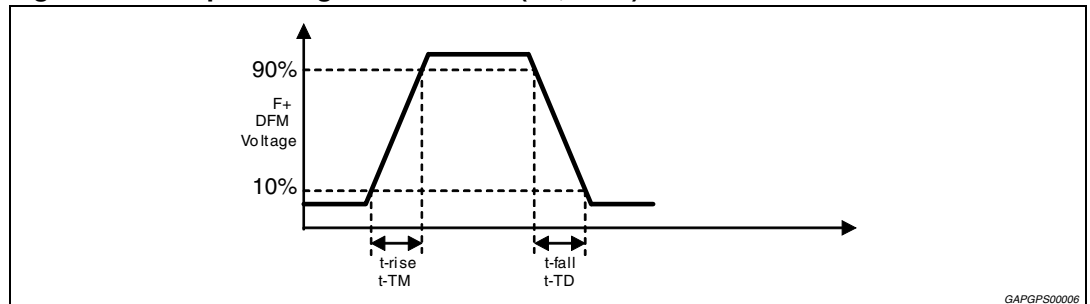
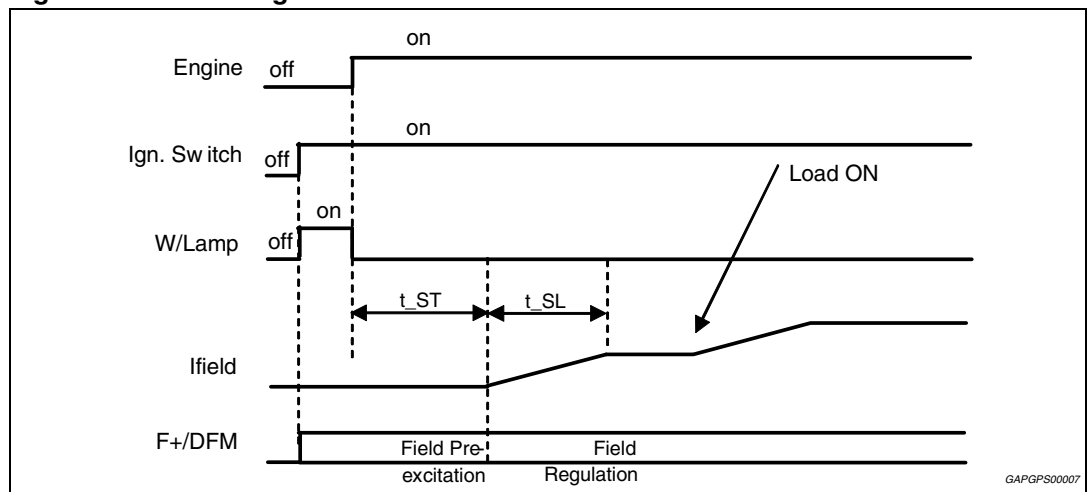


Figure 7. Phase regulation characteristics



3.4 Principle of phase regulation

When V_{B+} is above the regulated voltage, the field driver is controlled to keep phase peak voltage from falling below V_{PHH1} .

If phase peak voltage drops below V_{PHL1} , phase regulation does not work.

Figure 8. Application diagram

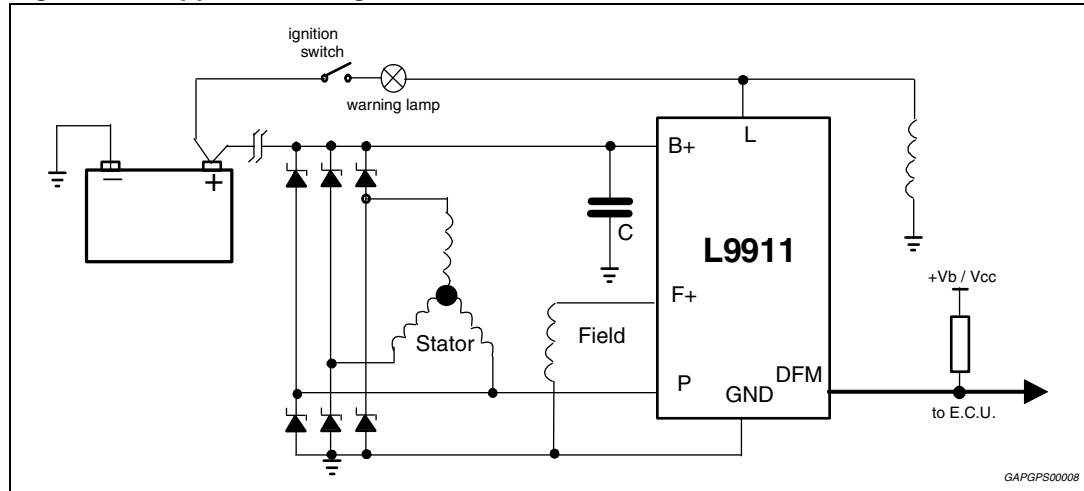


Figure 9. High side/low side driver saturation

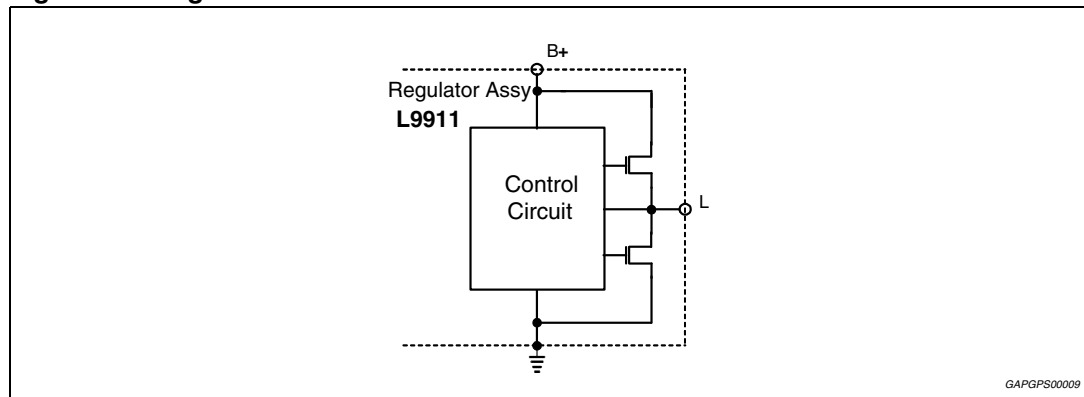


Figure 10. Test mode to cancel soft-start/attack

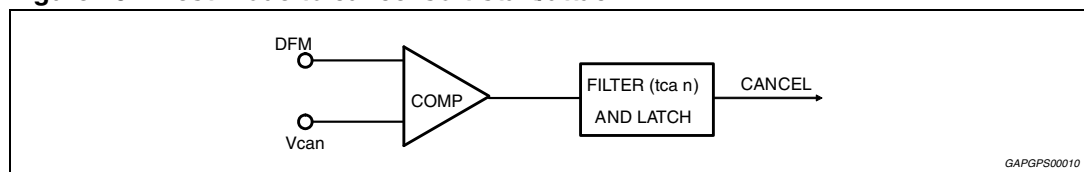


Figure 11. Soft-start enable frequency range

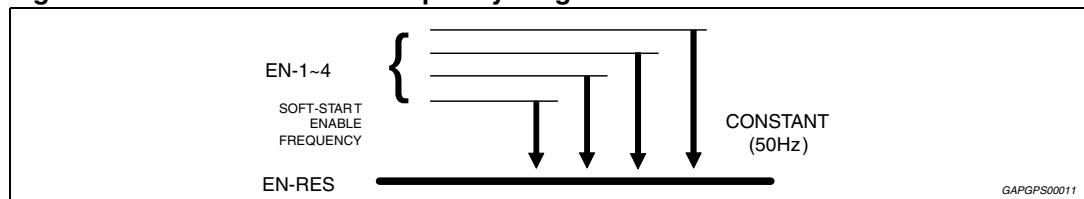


Figure 12. Soft-start characteristics (always activated at engine start)

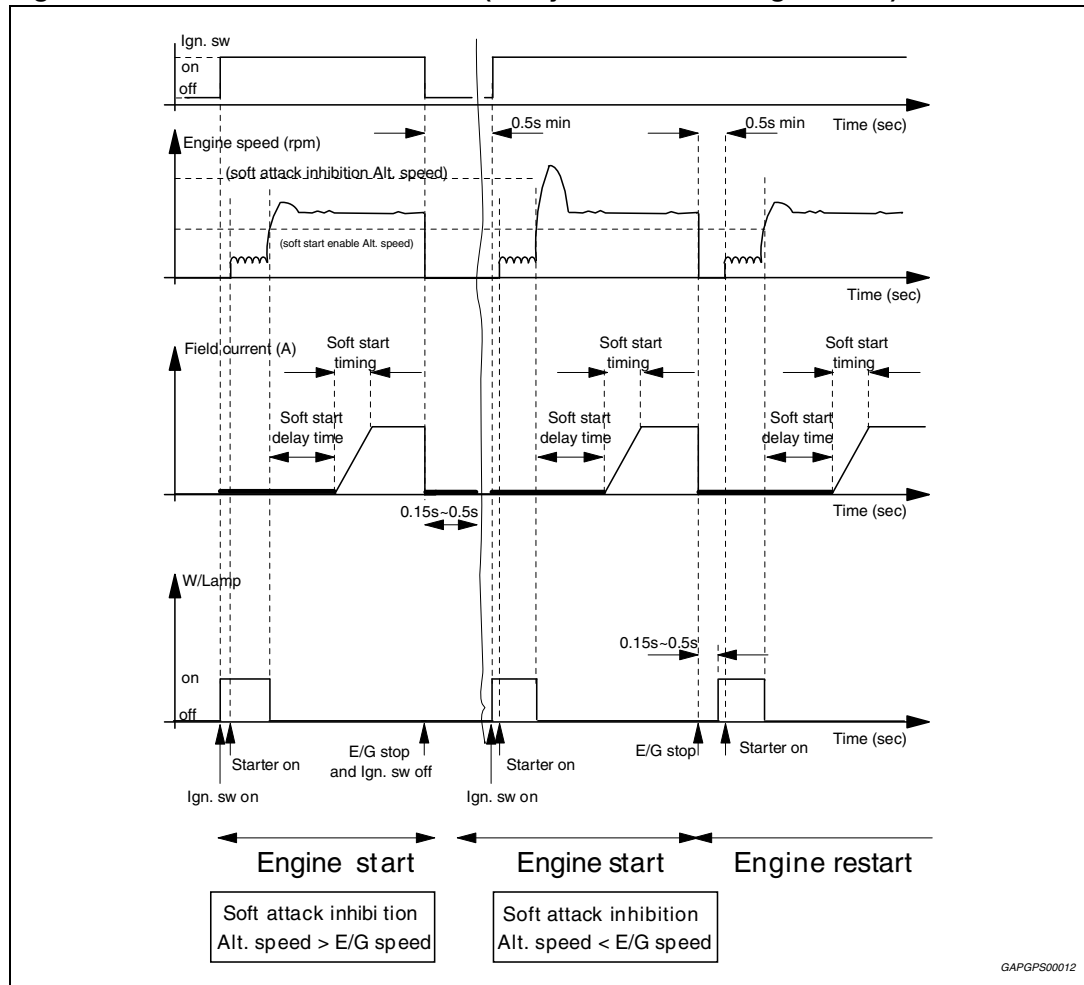


Figure 13. Soft start/attack characteristics

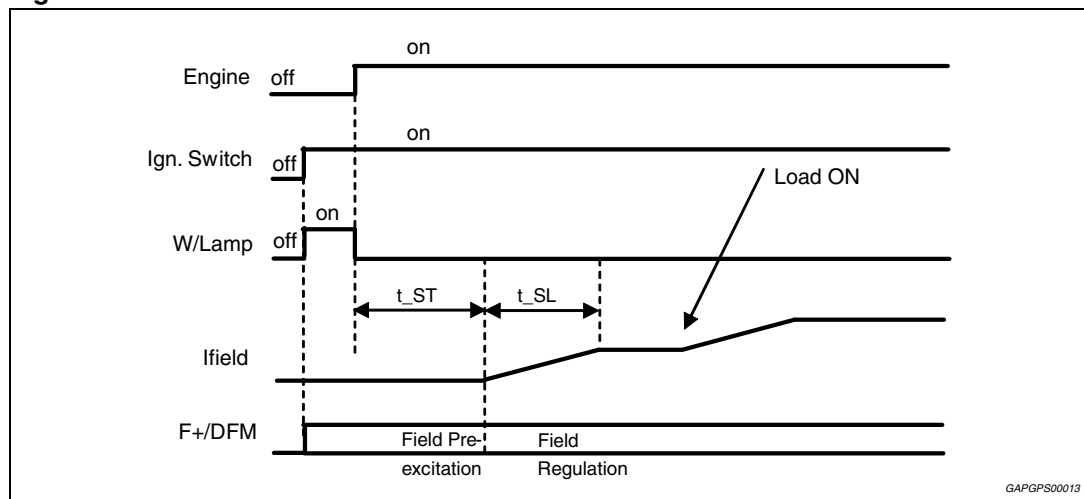


Table 10. Fault detection

Root cause	Signal	Effect	Test detect
Alternator belt breaking	P	Alternator disexcitation	$VP < VPHH1$ & $VB+ < Vreg$
Brushes open	P	Alternator disexcitation	$VP < VPHH1$ & $VB+ < Vreg$
Field driver open	P	Alternator disexcitation	$VP < VPHH1$ & $VB+ < Vreg$
Field interruption	P	Alternator disexcitation	$VP < VPHH1$ & $VB+ < Vreg$
Field short circuit to the battery	F+	Overvoltage	$VF+ > VS1$ & $VB+ > Vov-d$
Field short circuit to the ground	P	Alternator disexcitation	$VP < VPHH1$ & $VB+ < Vreg$
Battery discharge	B+	Undervoltage	$VB+ < Vuv$

Note: The diagnostic result is disabled during the Soft-start delay time $t_{ST} 0...3$ and the soft-start / soft attack timing $t_{SL} 0...3$

Figure 14. DF monitor electrical configuration

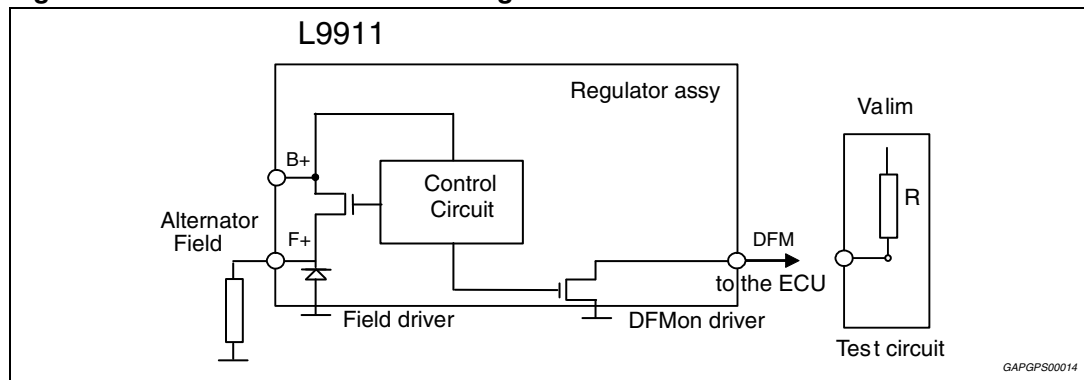
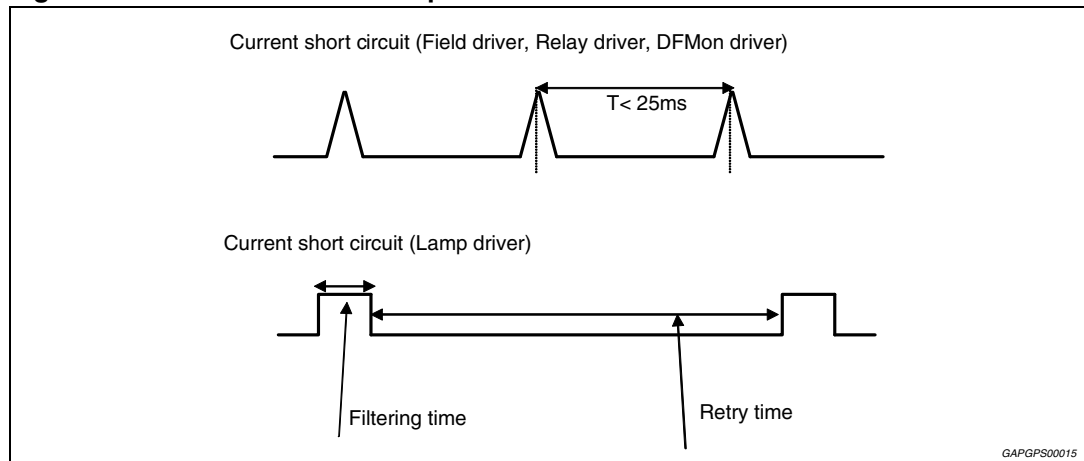


Figure 15. Short circuit drivers' protection



Field driver, DFMon driver and Relay driver are protected in switching mode (not linear), with a retry time less than 25 ms.

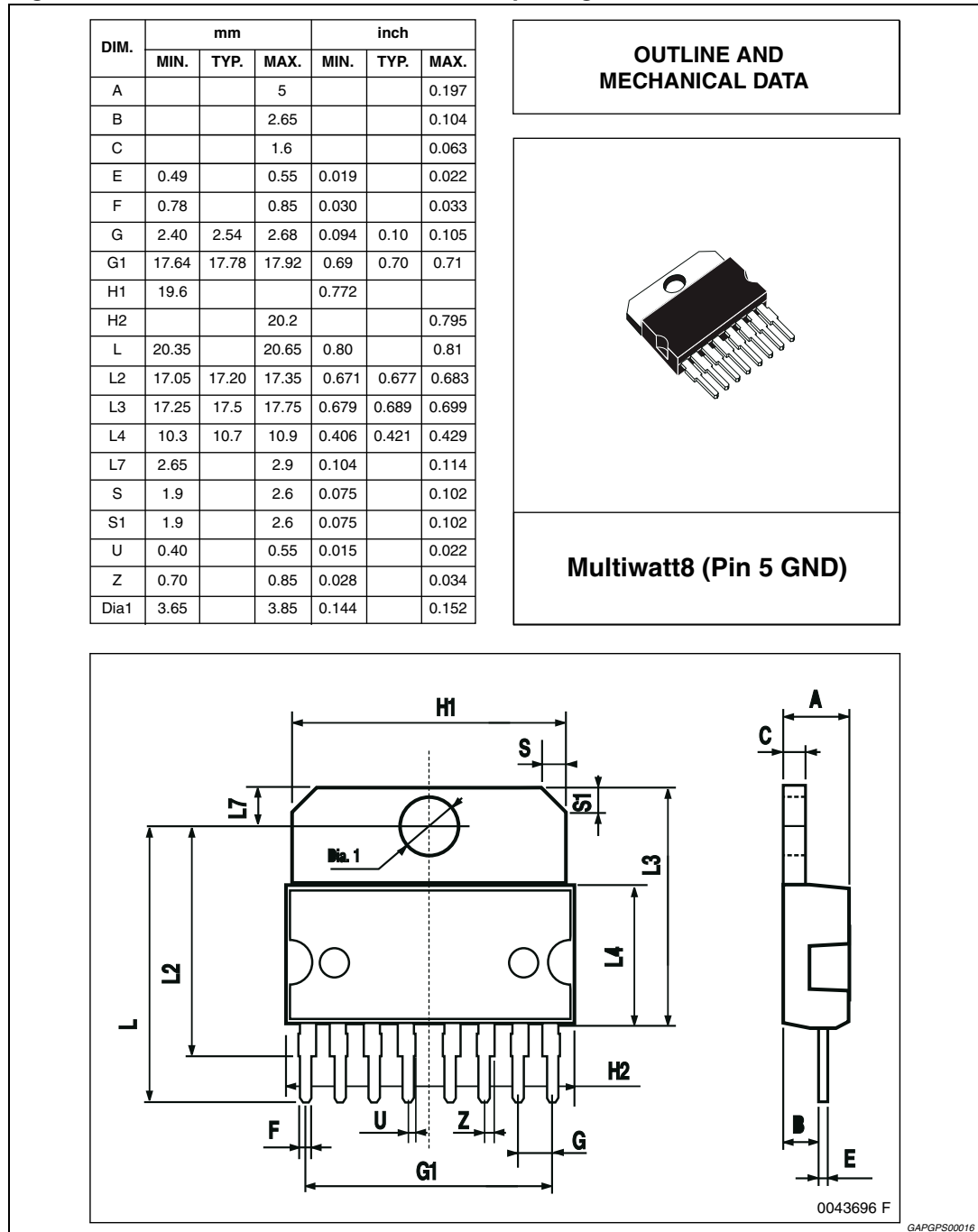
Lamp driver is protected in linear mode, with a retry time of 1 s.

4 Package information

In order to meet environmental requirements, ST offers these devices in different grades of ECOPACK® packages, depending on their level of environmental compliance. ECOPACK® specifications, grade definitions and product status are available at: www.st.com.

ECOPACK® is an ST trademark.

Figure 16. Multiwatt8 mechanical data and package dimensions



5 Revision history

Table 11. Document revision history

Date	Revision	Changes
22-Jun-2004	1	Initial release.
18-May-2005	2	Modified Figure 2, Table 2 and Table 5; Updated Figure 10, 11 and 14; Add Table 7. Add ordering numbers.
07-Nov-2005	3	Updated Table 5. Added new tables 6-9.
28-Nov-2005	4	Added the L9911C part number. Updated the Table 9.
11-Jul-2007	5	Document reformatted. Updated order codes, see Table 1: Device summary .
09-Nov-2009	6	Updated Table 1: Device summary , Table 7: Load response control timing options and Table 9: Customization of L9911: combination of LRC, regulation, and application options .
23-Jul-2010	7	Updated Table 1: Device summary , Table 5: Electrical characteristics and Table 9: Customization of L9911: combination of LRC, regulation, and application options . Updated Figure 2, 3 and 4 . Added new Figure 5 .
25-Jan-2011	8	Updated Table 5: Electrical characteristics . Updated Figure 5 .
29-Mar-2011	9	Modified in the Table 5: Electrical characteristics the values of the “V _{uv-up} ” parameter.
26-Mar-2012	10	Updated: Table 1: Device summary on page 1 ; Table 7: Load response control timing options on page 10 ; Table 9: Customization of L9911: combination of LRC, regulation, and application options on page 11 .
28-May-2012	11	Updated Table 9: Customization of L9911: combination of LRC, regulation, and application options on page 11 .
19-Sep-2013	12	Updated Disclaimer.

Please Read Carefully:

Information in this document is provided solely in connection with ST products. STMicroelectronics NV and its subsidiaries ("ST") reserve the right to make changes, corrections, modifications or improvements, to this document, and the products and services described herein at any time, without notice.

All ST products are sold pursuant to ST's terms and conditions of sale.

Purchasers are solely responsible for the choice, selection and use of the ST products and services described herein, and ST assumes no liability whatsoever relating to the choice, selection or use of the ST products and services described herein.

No license, express or implied, by estoppel or otherwise, to any intellectual property rights is granted under this document. If any part of this document refers to any third party products or services it shall not be deemed a license grant by ST for the use of such third party products or services, or any intellectual property contained therein or considered as a warranty covering the use in any manner whatsoever of such third party products or services or any intellectual property contained therein.

UNLESS OTHERWISE SET FORTH IN ST'S TERMS AND CONDITIONS OF SALE ST DISCLAIMS ANY EXPRESS OR IMPLIED WARRANTY WITH RESPECT TO THE USE AND/OR SALE OF ST PRODUCTS INCLUDING WITHOUT LIMITATION IMPLIED WARRANTIES OF MERCHANTABILITY, FITNESS FOR A PARTICULAR PURPOSE (AND THEIR EQUIVALENTS UNDER THE LAWS OF ANY JURISDICTION), OR INFRINGEMENT OF ANY PATENT, COPYRIGHT OR OTHER INTELLECTUAL PROPERTY RIGHT.

ST PRODUCTS ARE NOT DESIGNED OR AUTHORIZED FOR USE IN: (A) SAFETY CRITICAL APPLICATIONS SUCH AS LIFE SUPPORTING, ACTIVE IMPLANTED DEVICES OR SYSTEMS WITH PRODUCT FUNCTIONAL SAFETY REQUIREMENTS; (B) AERONAUTIC APPLICATIONS; (C) AUTOMOTIVE APPLICATIONS OR ENVIRONMENTS, AND/OR (D) AEROSPACE APPLICATIONS OR ENVIRONMENTS. WHERE ST PRODUCTS ARE NOT DESIGNED FOR SUCH USE, THE PURCHASER SHALL USE PRODUCTS AT PURCHASER'S SOLE RISK, EVEN IF ST HAS BEEN INFORMED IN WRITING OF SUCH USAGE, UNLESS A PRODUCT IS EXPRESSLY DESIGNATED BY ST AS BEING INTENDED FOR "AUTOMOTIVE, AUTOMOTIVE SAFETY OR MEDICAL" INDUSTRY DOMAINS ACCORDING TO ST PRODUCT DESIGN SPECIFICATIONS. PRODUCTS FORMALLY ESCC, QML OR JAN QUALIFIED ARE DEEMED SUITABLE FOR USE IN AEROSPACE BY THE CORRESPONDING GOVERNMENTAL AGENCY.

Resale of ST products with provisions different from the statements and/or technical features set forth in this document shall immediately void any warranty granted by ST for the ST product or service described herein and shall not create or extend in any manner whatsoever, any liability of ST.

ST and the ST logo are trademarks or registered trademarks of ST in various countries.

Information in this document supersedes and replaces all information previously supplied.

The ST logo is a registered trademark of STMicroelectronics. All other names are the property of their respective owners.

© 2013 STMicroelectronics - All rights reserved

STMicroelectronics group of companies

Australia - Belgium - Brazil - Canada - China - Czech Republic - Finland - France - Germany - Hong Kong - India - Israel - Italy - Japan - Malaysia - Malta - Morocco - Philippines - Singapore - Spain - Sweden - Switzerland - United Kingdom - United States of America

www.st.com