

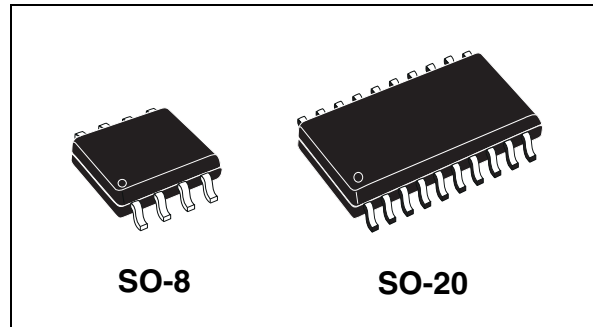
## Low drop voltage regulator

### Features

Max DC supply voltage	$V_S$	40V
Max output voltage tolerance	$\Delta V_0$	+/-2%
Max dropout voltage	$V_{dp}$	400 mV
Output current	$I_O$	150 mA
Quiescent current	$I_{qn}$	79 $\mu A^{(1)}$

1. Typical value with watchdog disabled.

- Operating DC supply voltage range 5.6V to 31V
- Reset circuit sensing the output voltage down to 1V
- Programmable reset pulse delay with external capacitor
- Watchdog
- Programmable watchdog timer with external capacitor
- Enable input for enabling/disabling the watchdog functionality
- Thermal shutdown and short circuit protection
- Wide temperature range ( $T_j = -40^\circ C$  to  $150^\circ C$ )



### Description

The L4993 is a monolithic integrated 5V Voltage regulator with a low drop voltage at currents up to 150mA. The output voltage regulating element consists in a p-channel MOS and the regulation is performed regardless of input voltage transients up to 40V. The high precision of the output voltage is obtained with a pre-trimmed reference voltage. The L4993 is protected against short circuit and an over-temperature protection switches off the device in case of extremely high power dissipation. The L4993 watchdog is active when the Enable is high. State of the art features like reset and watchdog make this device particularly suitable to supply microprocessor systems in automotive applications.

**Table 1. Device summary**

Package	Order codes	
	Tube	Tape & reel
SO-8	L4993D	L4993DTR
SO-20 (16+2+2)	L4993MD	L4993MDTR

# Contents

- 1      Block diagram and pins description ..... 5**
  
- 2      Electrical specifications ..... 7**
  - 2.1    Absolute maximum ratings ..... 7
  - 2.2    Thermal data ..... 7
  - 2.3    Electrical characteristics ..... 8
  - 2.4    Electrical characteristics curves ..... 11
  - 2.5    Test circuit and waveforms plot ..... 14
    - 2.5.1    Load regulation ..... 14
  
- 3      Application information ..... 15**
  - 3.1    Voltage regulator ..... 15
  - 3.2    Reset ..... 16
  - 3.3    Watchdog ..... 17
  
- 4      Package and PCB thermal data ..... 18**
  - 4.1    SO-8 thermal data ..... 18
  - 4.2    SO-20 thermal data ..... 21
  
- 5      Package and packing information ..... 24**
  - 5.1    ECOPACK® packages ..... 24
  - 5.2    SO-8 package information ..... 24
  - 5.3    SO-20 package information ..... 26
  - 5.4    SO-8 packing information ..... 27
  - 5.5    SO-20 packing information ..... 28
  
- 6      Revision history ..... 29**

## List of tables

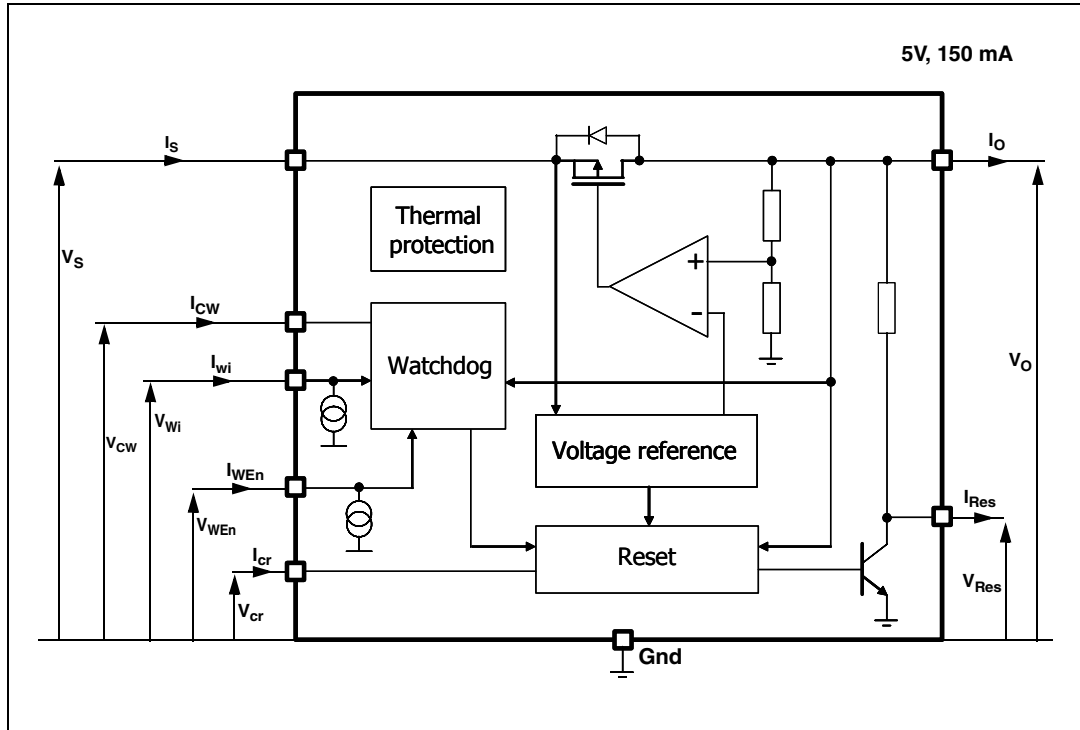
Table 1.	Device summary . . . . .	1
Table 2.	Pins description . . . . .	6
Table 3.	Absolute maximum ratings . . . . .	7
Table 4.	Thermal data . . . . .	7
Table 5.	General . . . . .	8
Table 6.	Reset . . . . .	9
Table 7.	Watchdog . . . . .	9
Table 8.	Watchdog Enable . . . . .	10
Table 9.	SO-8 thermal parameter . . . . .	20
Table 10.	SO-20 thermal parameter . . . . .	23
Table 11.	SO-8 mechanical data . . . . .	25
Table 12.	SO-20 mechanical data . . . . .	26
Table 13.	Document revision history . . . . .	29

## List of figures

Figure 1.	Block diagram . . . . .	5
Figure 2.	Pins configuration . . . . .	6
Figure 3.	Output voltage vs. $T_j$ . . . . .	11
Figure 4.	Output voltage vs. $V_s$ . . . . .	11
Figure 5.	Drop Voltage vs. Output Current . . . . .	11
Figure 6.	Current consumption vs. Output Current . . . . .	11
Figure 7.	Current consumption vs. Input Voltage . . . . .	11
Figure 8.	Current limitation vs. $T_j$ . . . . .	11
Figure 9.	Current limitation vs. Input Voltage . . . . .	12
Figure 10.	Short Circuit Current vs. $T_j$ . . . . .	12
Figure 11.	Short Circuit Current vs. Input Voltage . . . . .	12
Figure 12.	$V_{WEN\_high}$ vs. $T_j$ . . . . .	12
Figure 13.	$V_{WEN\_LOW}$ vs. $T_j$ . . . . .	12
Figure 14.	$V_{rhth}$ vs. $T_j$ . . . . .	12
Figure 15.	$V_{rlth}$ vs. $T_j$ . . . . .	13
Figure 16.	$V_{whth}$ vs. $T_j$ . . . . .	13
Figure 17.	$V_{wlth}$ vs. $T_j$ . . . . .	13
Figure 18.	$I_{cr}$ & $I_{cwc}$ vs. $T_j$ . . . . .	13
Figure 19.	$I_{dr}$ & $I_{cwd}$ vs. $T_j$ . . . . .	13
Figure 20.	$T_{wop}$ vs. $T_j$ . . . . .	13
Figure 21.	PSRR . . . . .	14
Figure 22.	Load regulation test circuit . . . . .	14
Figure 23.	Maximum load variation response . . . . .	14
Figure 24.	L4993 application schematic . . . . .	15
Figure 25.	Behavior of output current versus regulated voltage $V_o$ . . . . .	15
Figure 26.	Reset timing diagram . . . . .	16
Figure 27.	Watchdog timing diagram . . . . .	17
Figure 28.	SO-8 PC board . . . . .	18
Figure 29.	$R_{thj-amb}$ Vs. PCB copper area in open box free air condition . . . . .	18
Figure 30.	SO-8 thermal impedance junction ambient single pulse . . . . .	19
Figure 31.	Thermal fitting model of $V_{reg}$ in SO-8 . . . . .	19
Figure 32.	SO-20 PC board . . . . .	21
Figure 33.	$R_{thj-amb}$ Vs. PCB copper area in open box free air condition . . . . .	21
Figure 34.	SO-20 thermal impedance junction ambient single pulse . . . . .	22
Figure 35.	Thermal fitting model of $V_{reg}$ in SO-20 . . . . .	22
Figure 36.	SO-8 package dimensions . . . . .	24
Figure 37.	SO-20 package dimensions . . . . .	26
Figure 38.	SO-8 tube shipment (no suffix) . . . . .	27
Figure 39.	SO-8 tape and reel shipment (suffix "TR") . . . . .	27
Figure 40.	SO-20 tube shipment (no suffix) . . . . .	28
Figure 41.	SO-20 tape and reel shipment (suffix "TR") . . . . .	28

# 1 Block diagram and pins description

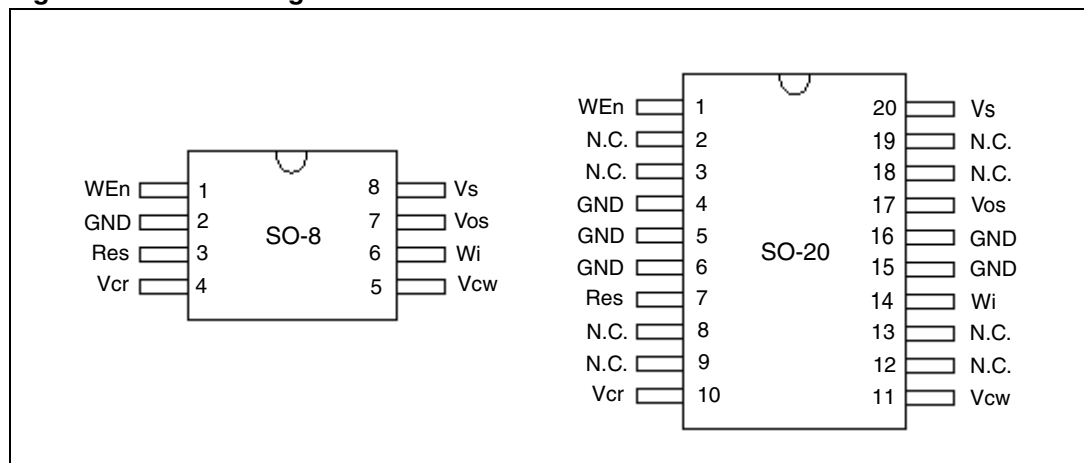
Figure 1. Block diagram



**Table 2. Pins description**

Pin name	SO-8 (D)	SO-20 (MD)	Function
WEn	1	1	Watchdog Enable input If high watchdog functionality is active
Gnd	2	4	Ground reference
Gnd		5, 6, 15, 16	Ground Connected these pins to a heat spreader ground
Res	3	7	Reset output. It is pulled down when output voltage goes below $V_{o\_th}$ or frequency at $W_i$ is too low. Leave floating if not used.
Vcr	4	10	Reset timing adjust. A capacitor between Vcr pin and gnd, sets the reset delay time (trd)
Vcw	5	11	Watchdog timer adjust A capacitor between Vcw pin and gnd, sets the time response of the watchdog monitor.
Wi	6	14	Watchdog input. If the frequency at this input pin is too low, the Reset output is activated. Connect to ground if not used
$V_{o_s}$	7	17	Voltage regulator output Block to ground with a capacitor >100nF (needed for regulator stability)
$V_s$	8	20	Supply voltage Block to ground directly at IC pin with a capacitor
N.C.		2, 3, 8, 9, 12, 13, 18, 19	Not connected

**Figure 2. Pins configuration**



## 2 Electrical specifications

### 2.1 Absolute maximum ratings

Stressing the device above the rating listed in the “Absolute maximum ratings” table may cause permanent damage to the device. These are stress ratings only and operation of the device at these or any other conditions above those indicated in the Operating sections of this specification is not implied. Exposure to Absolute Maximum Rating conditions for extended periods may affect device reliability. Refer also to the STMicroelectronics SURE Program and other relevant quality documents.

**Table 3. Absolute maximum ratings**

Symbol	Parameter	Value	Unit
$V_{VsdC}$	DC supply voltage	-0.3 to 40	V
$I_{VsdC}$	Input current	Internally limited	
$V_{Vo}$	DC output voltage	-0.3 to 6	V
$I_{Vo}$	DC output current	Internally limited	
$V_{Wi}$	Watchdog input voltage	-0.3 to $V_{Vo} + 0.3$	V
$V_{od}$	Open drain output voltage	-0.3 to $V_{Vo} + 0.3$	V
$I_{od}$	Open drain output current	Internally limited	
$V_{cr}$	Reset delay voltage	-0.3 to $V_{Vo} + 0.3$	V
$V_{cw}$	Watchdog delay voltage	-0.3 to $V_{Vo} + 0.3$	V
$V_{WE_n}$	Watchdog Enable input voltage	-0.3 to $V_{Vo} + 0.3$	V
$T_j$	Junction temperature	-40 to 150	°C
$V_{ESD}$	ESD voltage level (HBM-MIL STD 883C)	±2	kV
$V_{ESD}$	ESD voltage level (CDM AEC-Q100-011)	750	V

*Note:* Maximum ratings are absolute ratings; exceeding any one of these values may cause permanent damage to the integrated circuit.

### 2.2 Thermal data

For details, please refer to [Section 4.1: SO-8 thermal data](#) and [Section 4.2: SO-20 thermal data](#).

**Table 4. Thermal data<sup>(1)</sup>**

Symbol	Parameter	Value	Unit
$R_{th-jamb}$	Thermal resistance Junction to Ambient:		
	SO-8	130	°C/W
	SO-20	51	°C/W

1. The values quoted are for PCB FR4 area= 58mm x 58mm, PCB thickness = 2mm, Cu thickness = 35µm , Copper areas: SO-8= 2 cm<sup>2</sup>, SO-20= 6 cm<sup>2</sup>.

## 2.3 Electrical characteristics

Values specified in this section are for  $V_s = 5.6V$  to  $31V$ ,  $T_j = -40^\circ C$  to  $+150^\circ C$  unless otherwise stated.

**Table 5. General**

Pin	Symbol	Parameter	Test condition	Min.	Typ.	Max.	Unit
Vo	$V_{o\_ref}$	Output voltage	$V_s = 6$ to $31V$ $I_o = 1$ to $150mA$	4.9	5.0	5.1	V
Vo	$I_{short}$	Short circuit current	$V_s = 13.5V^{(1)}$	150	280	400	mA
Vo	$I_{lim}^{(2)}$	Output current limitation	$V_s = 13.5V^{(1)}$	150	320	500	mA
$V_s, V_o$	$V_{line}$	Line regulation voltage	$V_s = 6$ to $31V$ $I_o = 1$ to $150mA$			25	mV
Vo	$V_{load}$	Load regulation voltage	$I_o = 1$ to $150mA$			25	mV
$V_s, V_o$	$V_{dp}^{(3)}$	Drop voltage	$I_o = 150mA$		200	400	mV
$V_s, V_o$	SVR	Ripple rejection	$f_r = 100 Hz^{(4)}$	55			dB
$V_s, V_o$	$I_{qn\_150}$	Quiescent current	$V_s=13.5V,$ $I_o=150mA,$ $WEn = high$		1.25	2	mA
$V_s, V_o$	$I_{qn\_50}$	Quiescent current	$V_s=13.5V,$ $I_o= 50mA,$ $WEn = high$		470	1000	$\mu A$
$V_s, V_o$	$I_{qn\_1}$	Quiescent current	$V_s=13.5V,$ $I_o < 1mA,$ $WEn = high$		100	180	$\mu A$
$V_s, V_o$	$I_{qs}$	Quiescent current with watchdog regulator disabled	$V_s=13.5V,$ $I_o < 1mA,$ $WEn = low$		79	125	$\mu A$
	$T_w$	Thermal protection temperature		150		190	$^\circ C$
	$T_w\_hy$	Thermal protection temperature hysteresis			10		$^\circ C$

1. See [Figure 25](#).
2. Measured output current when the output voltage has dropped 100mV from its nominal value obtained at  $V_s=13.5V$  and  $I_o= 75mA$ .
3.  $V_s-V_o$  measured when the output voltage has dropped 100mV from its nominal value obtained at  $V_s=13.5V$  and  $I_o= 75mA$ .
4. Guaranteed by design.



**Table 6. Reset**

Pin	Symbol	Parameter	Test condition	Min.	Typ.	Max.	Unit
Res	Vres_l	Reset output low voltage	$R_{ext} = 5k\Omega$ to $V_o$ , $V_o > 1V$			0.4	V
Res	$I_{Res\_h}$	Reset output high leakage current	$V_{Res} = 5V$			1	$\mu A$
Res	R_p_u	Pull up internal resistance	With respect to $V_o$	12	25	50	k $\Omega$
Res	$V_{o\_th}$	$V_o$ out of regulation threshold	$V_s = 6$ to $31V$ , $I_o = 1$ to $150mA$	6%	8%	10%	Below $V_{o\_ref}$
Vcr	Vr_lth	Reset delay circuit low threshold	$V_s = 13.5V$	10%	13%	16%	$V_{o\_ref}$
Vcr	Vr_hth	Reset delay circuit high threshold	$V_s = 13.5V$	44%	47%	50%	$V_{o\_ref}$
Vcr	Icr	Charge current	$V_s = 13.5V$	8	17.6	30	$\mu A$
Vcr	Idr	Discharge current	$V_s = 13.5V$	8	17.6	30	$\mu A$
Res	Trr_2	Reset reaction time <sup>(1)</sup>	$V_o = V_{o\_th} - 100mV$	100	275	1000	$\mu s$
Res	Trd	Reset delay time	$V_s = 13.5V$ , $C_{tr} = 1nF$	65		150	ms

1. When  $V_o$  becomes lower than 4V, the reset reaction time decreases down to 2 $\mu s$  assuring a faster reset condition in this particular case.

**Table 7. Watchdog**

Pin	Symbol	Parameter	Test condition	Min.	Typ.	Max.	Unit
Wi	Vih	Input high voltage	$V_s = 13.5V$	3.5			V
Wi	Vil	Input low voltage	$V_s = 13.5V$			1.5	V
Wi	Vih_hyst	Input hysteresis	$V_s = 13.5V$		500		mV
Wi	li	Pull down current	$V_s = 13.5V$		10	20	$\mu A$
Vcw	Vwhth	High threshold	$V_s = 13.5V$	44%	47%	50%	$V_{o\_ref}$
Vcw	Vlwth	Low threshold	$V_s = 13.5V$	10%	13%	16%	$V_{o\_ref}$
Vcw	Icwc	Charge current	$V_s = 13.5V$ , $V_{cw} = 0.1V$	4	8	14	$\mu A$

**Table 7. Watchdog (continued)**

Pin	Symbol	Parameter	Test condition	Min.	Typ.	Max.	Unit
Vcw	Icwd	Discharge current	Vs = 13.5V, Vcw = 2.5V	1.0	2.13	4.5	μA
Vcw	Twop	Watchdog period	Vs = 13.5V, Ctw = 47nF	25	50	90	ms
Res	twol	Watchdog output low time	Vs = 13.5V, Ctw = 47nF	6	10.5	22	ms

**Table 8. Watchdog Enable**

Pin	Symbol	Parameter	Test condition	Min.	Typ.	Max.	Unit
WEn	W <sub>En_low</sub>	Enable input low voltage				1	V
WEn	W <sub>En_high</sub>	Enable input high voltage		3			V
WEn	W <sub>En_hyst</sub>	Enable input hysteresis		500	800	1100	mV
WEn	I <sub>leak</sub>	Pull down current	WEn = 5V	2	8	20	μA

## 2.4 Electrical characteristics curves

Figure 3. Output voltage vs. Tj

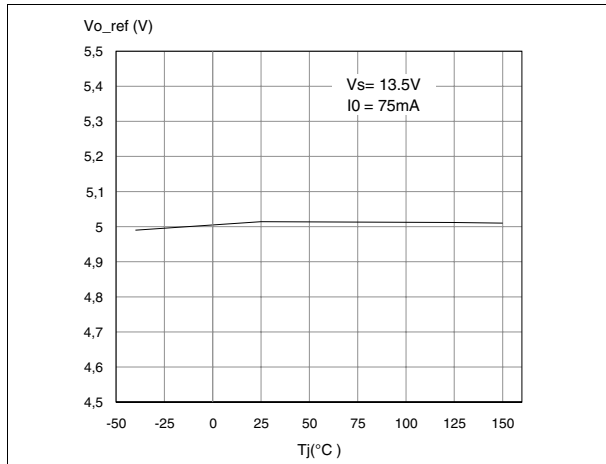


Figure 4. Output voltage vs. Vs

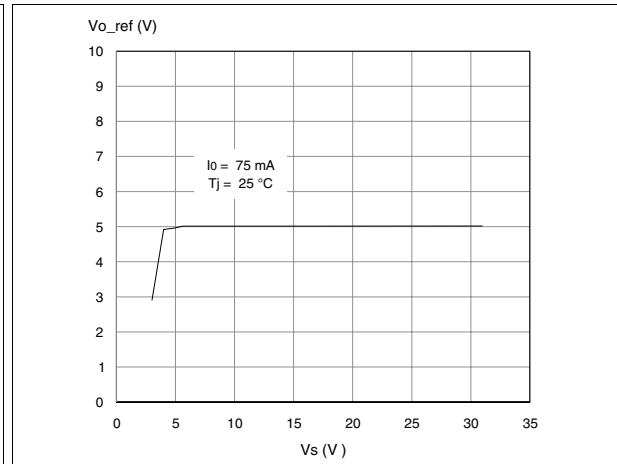


Figure 5. Drop Voltage vs. Output Current

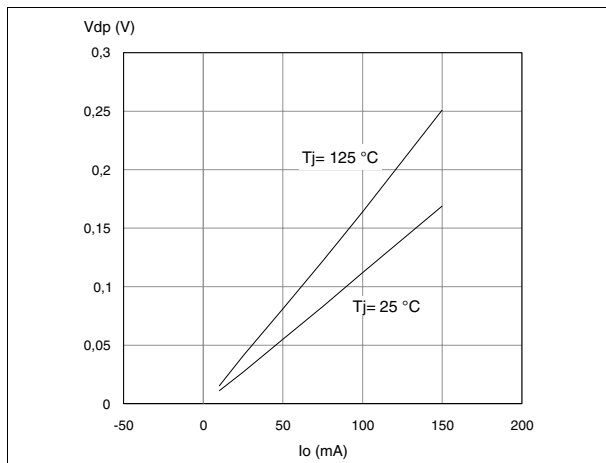


Figure 6. Current consumption vs. Output Current

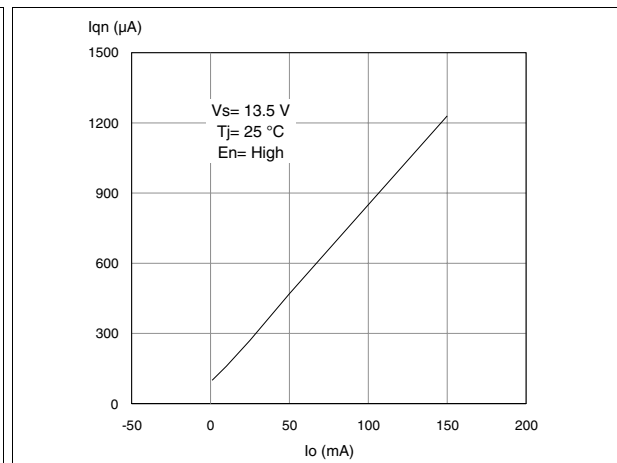


Figure 7. Current consumption vs. Input Voltage

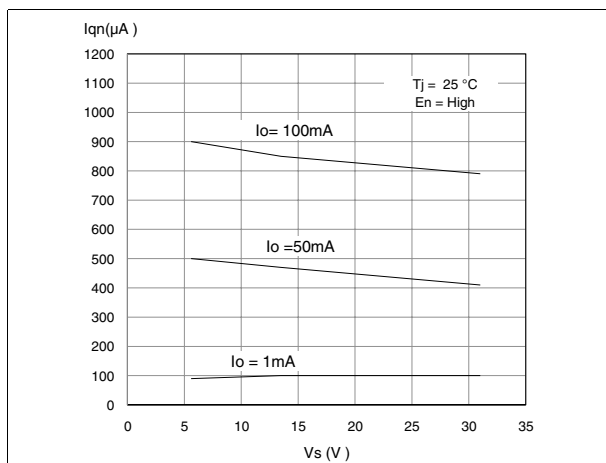


Figure 8. Current limitation vs. Tj

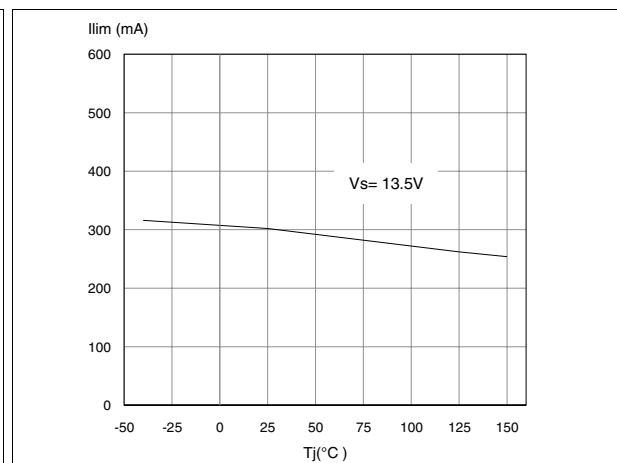


Figure 9. Current limitation vs. Input Voltage      Figure 10. Short Circuit Current vs. Tj

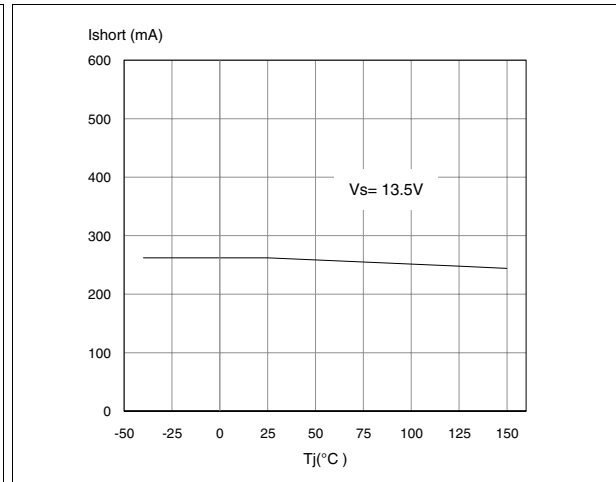
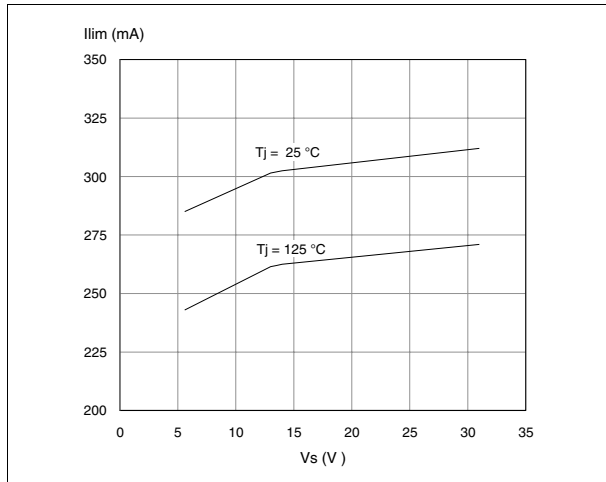


Figure 11. Short Circuit Current vs. Input Voltage

Figure 12. V<sub>WEn\_high</sub> vs. Tj

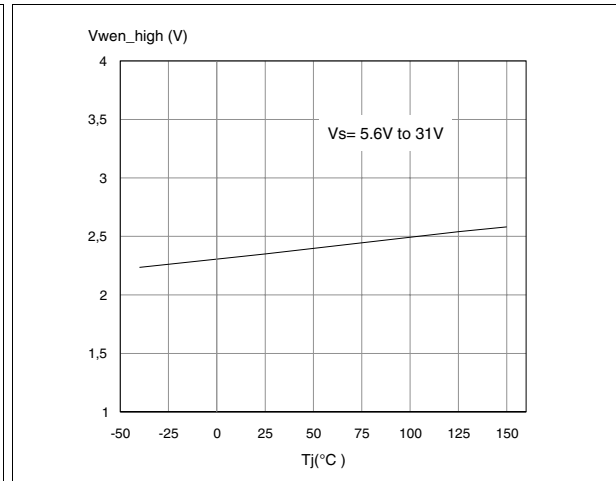
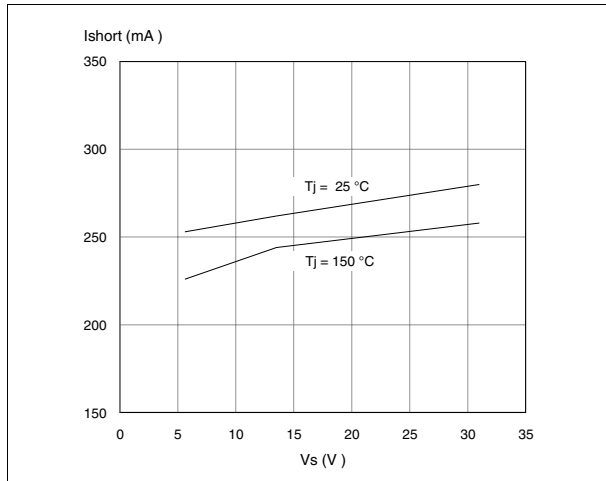


Figure 13. V<sub>WEN\_LOW</sub> vs. Tj

Figure 14. V<sub>rhth</sub> vs. Tj

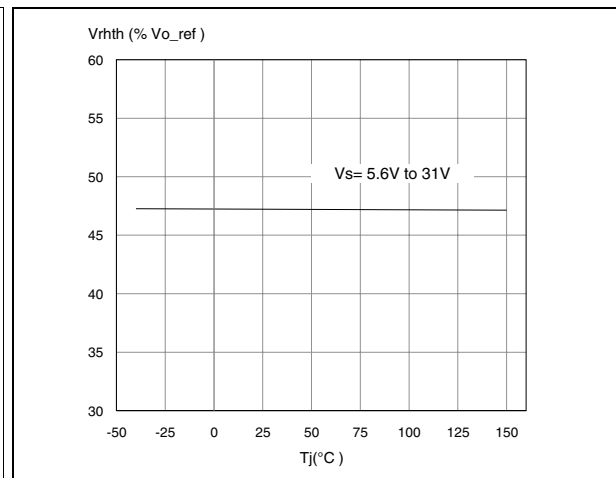
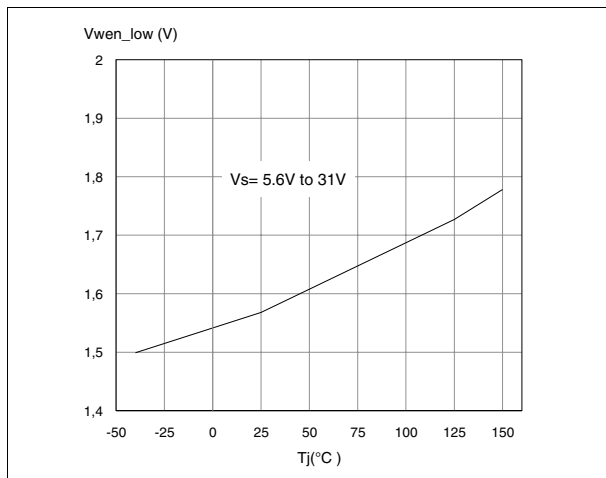


Figure 15. Vr1th vs. Tj

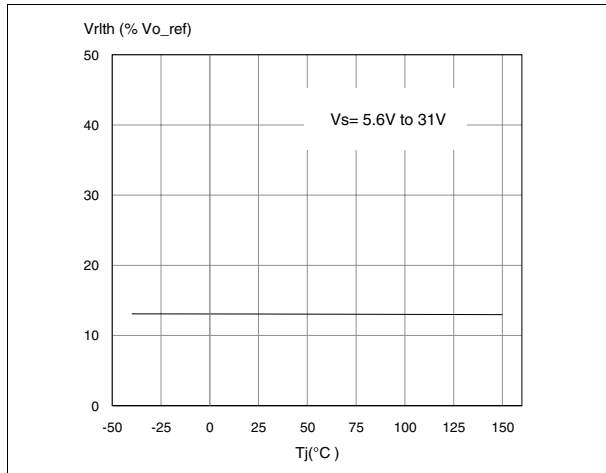


Figure 16. Vw1th vs. Tj

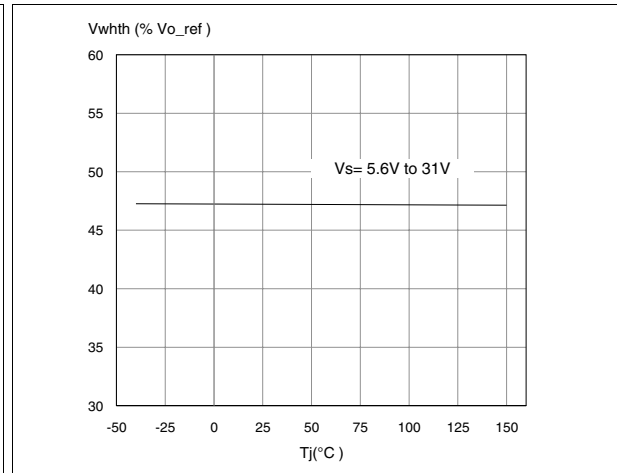


Figure 17. Vw1th vs. Tj

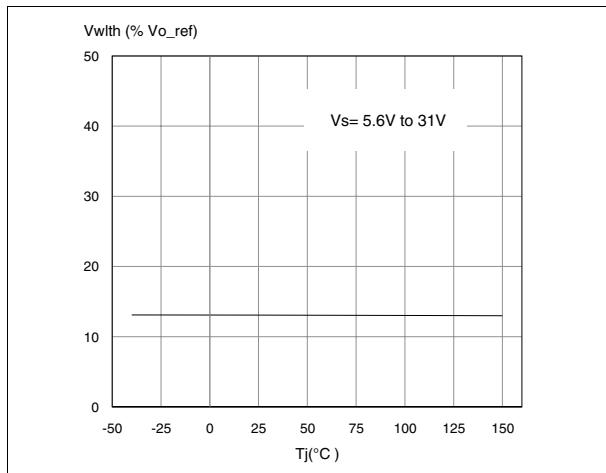


Figure 18. Icr & Icw vs. Tj

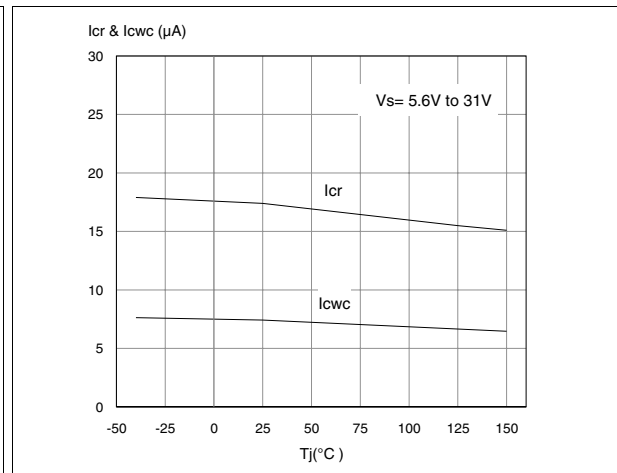


Figure 19. Idr & Icd vs. Tj

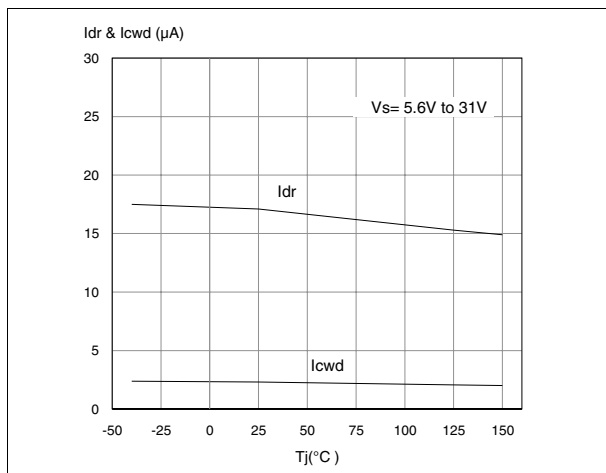


Figure 20. Twop vs. Tj

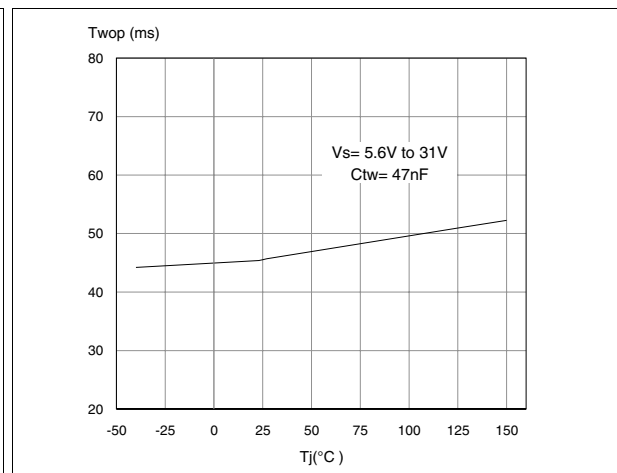
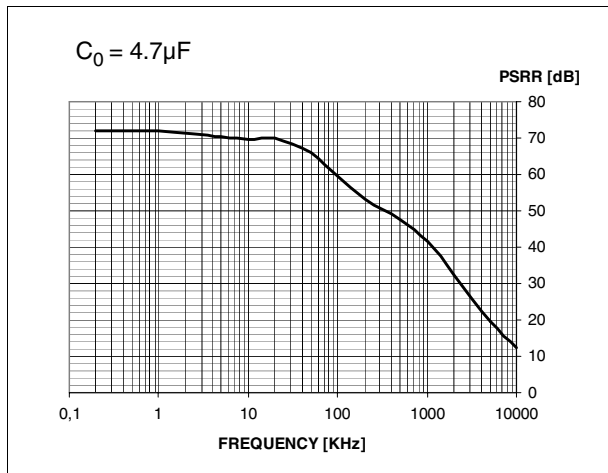


Figure 21. PSRR



## 2.5 Test circuit and waveforms plot

### 2.5.1 Load regulation

Figure 22. Load regulation test circuit

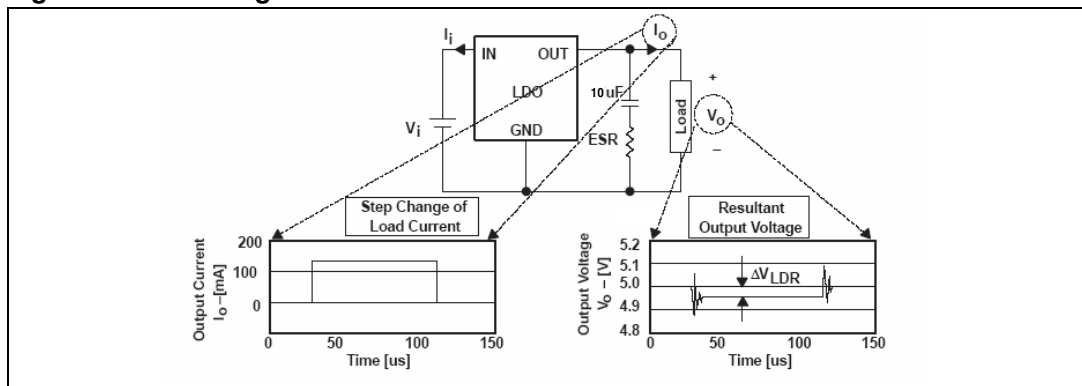
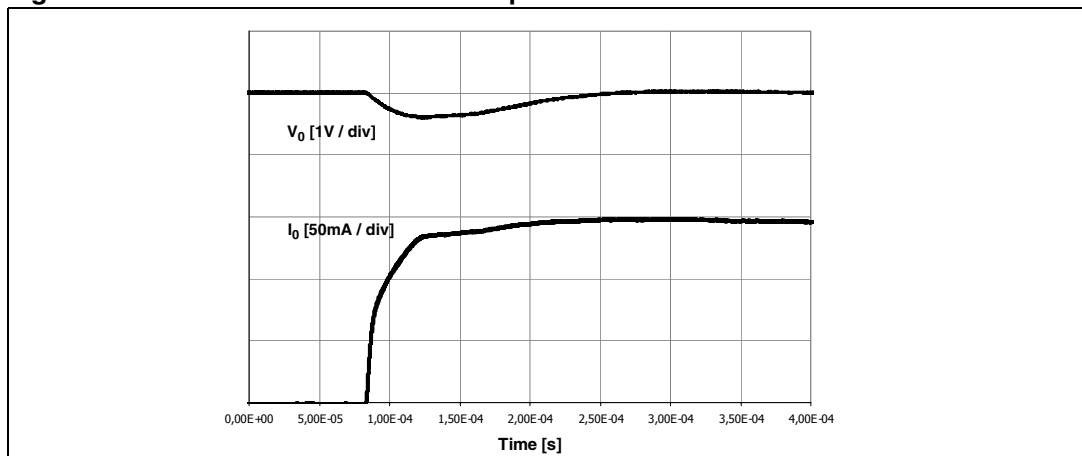
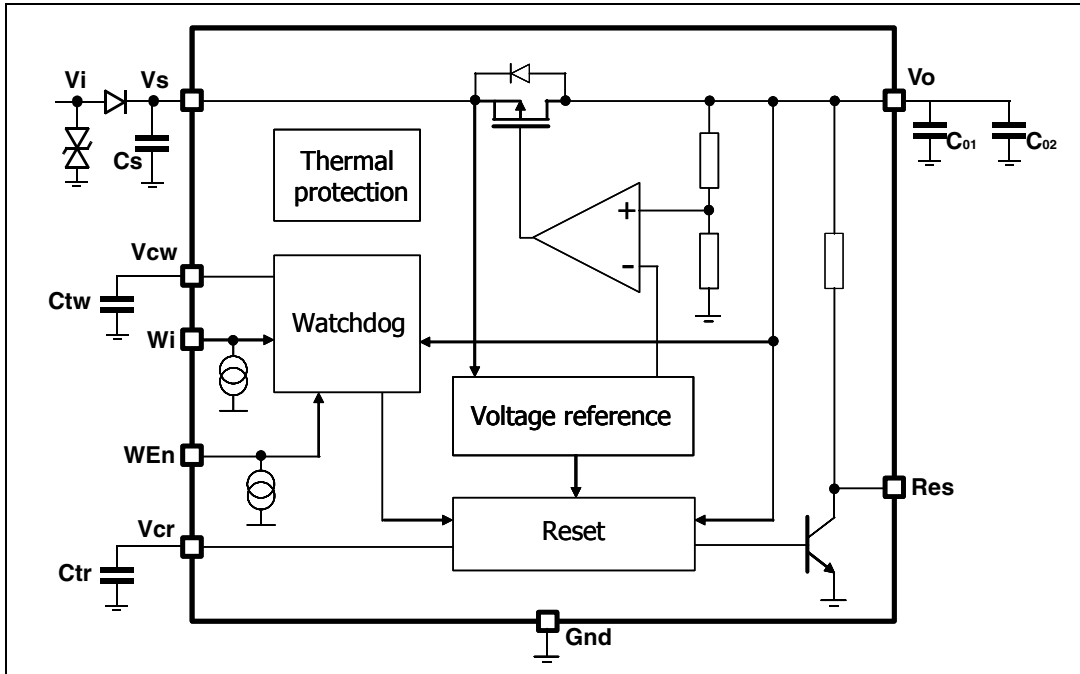


Figure 23. Maximum load variation response



### 3 Application information

Figure 24. L4993 application schematic

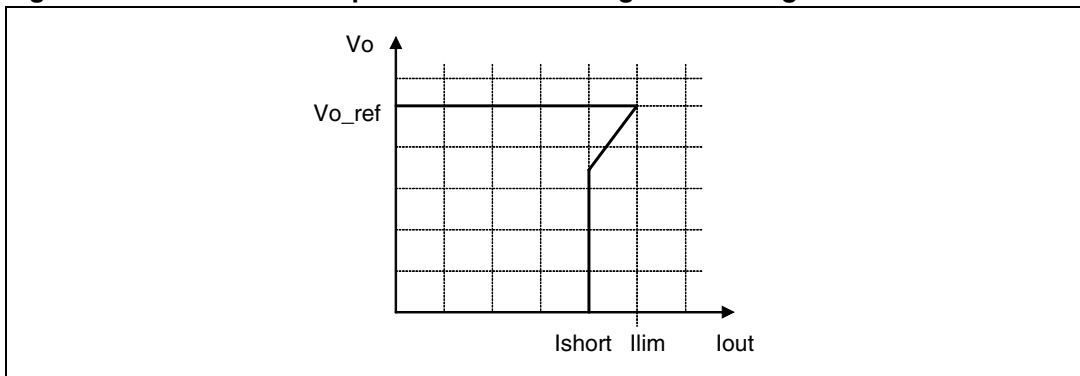


Note: The input capacitor  $C_s > 200\text{nF}$  is necessary for the smoothing of line disturbances. The output capacitor  $C_{01} > 100\text{nF}$  is necessary for the stability of the regulation loop. In order to damp output voltage oscillations during high load current surges, it is recommended put an additional electrolytic capacitor  $C_{02} > 10\mu\text{F}$  at the output pin.

#### 3.1 Voltage regulator

Voltage regulator uses a p-channel transistor as a regulating element. With this structure, very low dropout voltage at current up to 500mA is obtained. The output voltage is regulated up to transient input supply voltage of 40V. No functional interruption due to over-voltage pulses is generated. A short circuit protection to GND is provided. The voltage regulator watchdog functionality can be disabled by putting WEn low.

Figure 25. Behavior of output current versus regulated voltage Vo



### 3.2 Reset

The reset circuit supervises the output voltage  $V_o$ . The  $V_{o\_th}$  reset threshold is defined with the in-ternal reference voltage and a resistor output divider. If the output voltage becomes lower than  $V_{o\_th}$  then Res goes low with a reaction time  $t_{rr}$ . The reset low signal is guaranteed for an output voltage  $V_o$  greater than 1V.

When the output voltage becomes higher than  $V_{o\_th}$  then Res goes high with a delay  $t_{rd}$ . This delay is obtained by an internal oscillator.

The oscillator period is given by:

$$T_{osc} = [(V_{rhth}-V_{rlth}) \times C_{tr}] / I_{cr} + [(V_{rhth}-V_{rlth}) \times C_{tr}] / I_{dr}$$

where:

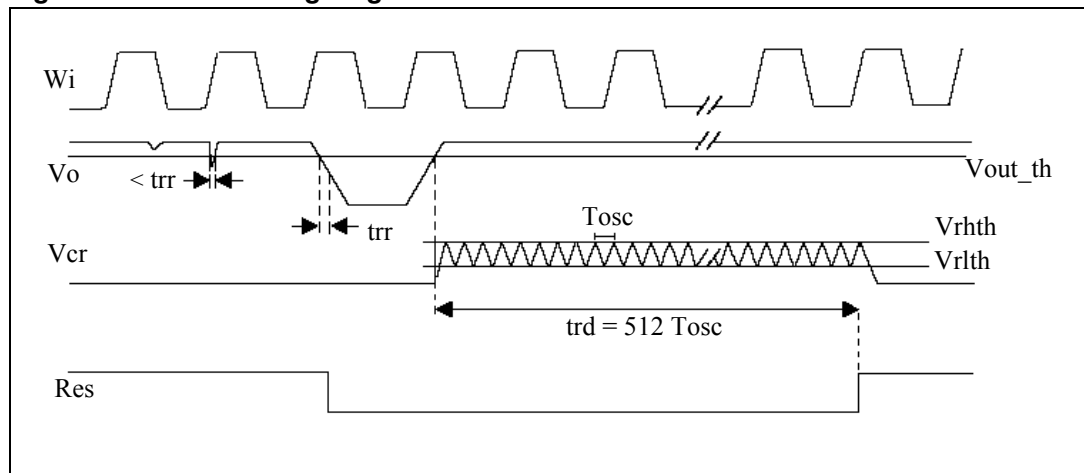
- $I_{cr}$ : is an internally generated charge current
- $I_{dr}$ : is an internally generated discharge current
- $V_{rhth}$ ,  $V_{rlth}$ : are two voltages defined with the output voltage and a resistor output divider
- $C_{tr}$ : is an external capacitance.

$t_{rd}$  is given by:

$$t_{rd} = 512 \times T_{osc}$$

Reset is active when  $En$  is high.

**Figure 26. Reset timing diagram**





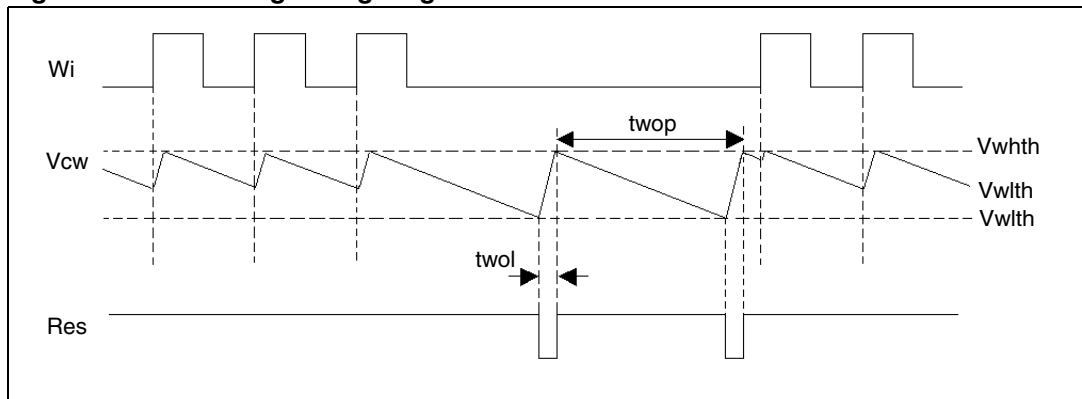
### 3.3 Watchdog

A connected microcontroller is monitored by the watchdog input  $W_i$ . If pulses are missing, the Reset output pin is set to low. The pulse sequence time can be set within a wide range with the external capacitor,  $C_{tw}$ . The watchdog circuit discharges the capacitor  $C_{tw}$ , with the constant current  $I_{wd}$ . If the lower threshold  $V_{wlth}$  is reached, a watchdog reset is generated. To prevent this the microcontroller must generate a positive edge during the discharge of the capacitor before the voltage has reached the threshold  $V_{wlth}$ . In order to calculate the minimum time  $t$ , during which the micro-controller must output the positive edge, the following equation can be used:

$$(V_{whth} - V_{wlth}) \times C_{tw} = I_{wd} \times t$$

Every  $W_i$  positive edge switches the current source from discharging to charging. The same happens when the lower threshold is reached. When the voltage reaches the upper threshold,  $V_{whth}$ , the current switches from charging to discharging. The result is a saw-tooth voltage at the watchdog timer capacitor  $C_{tw}$ .

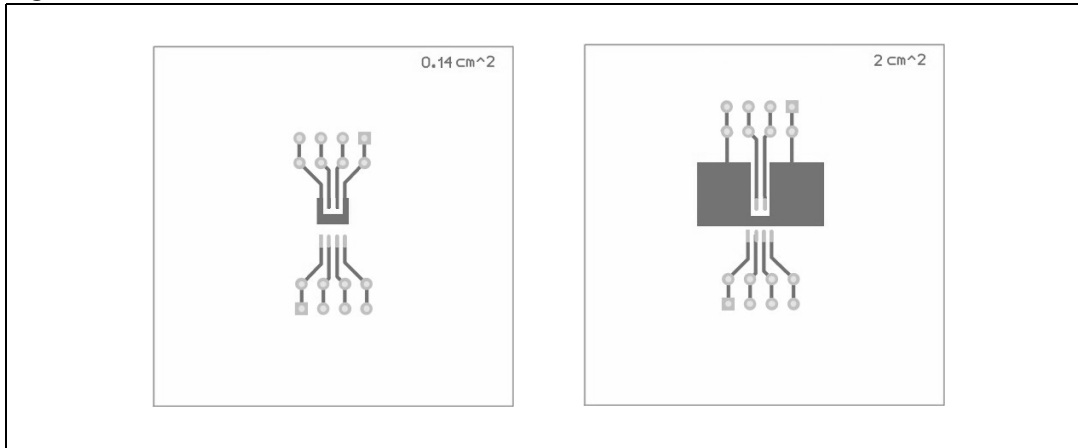
**Figure 27. Watchdog timing diagram**



## 4 Package and PCB thermal data

### 4.1 SO-8 thermal data

Figure 28. SO-8 PC board



Note: Layout condition of  $R_{th}$  and  $Z_{th}$  measurements (PCB FR4 area= 58mm x 58mm, PCB thickness = 2mm, Cu thickness = 35 $\mu$ m , Copper areas: from minimum pad lay-out to 2cm<sup>2</sup>).

Figure 29.  $R_{thj-amb}$  Vs. PCB copper area in open box free air condition

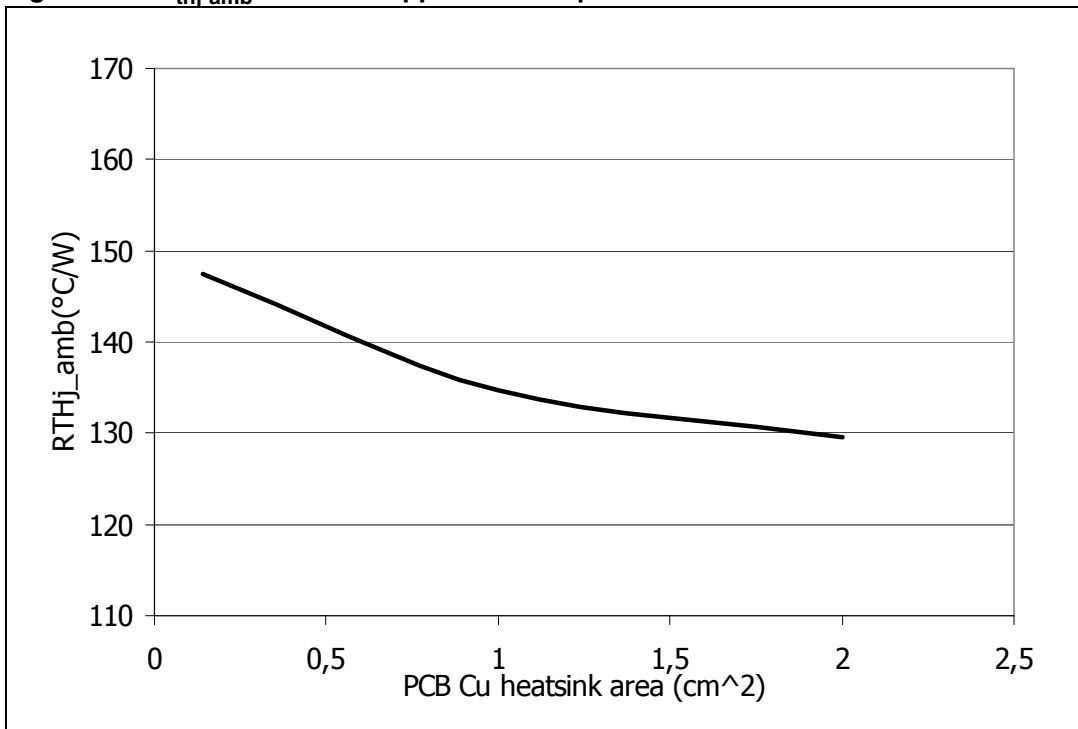
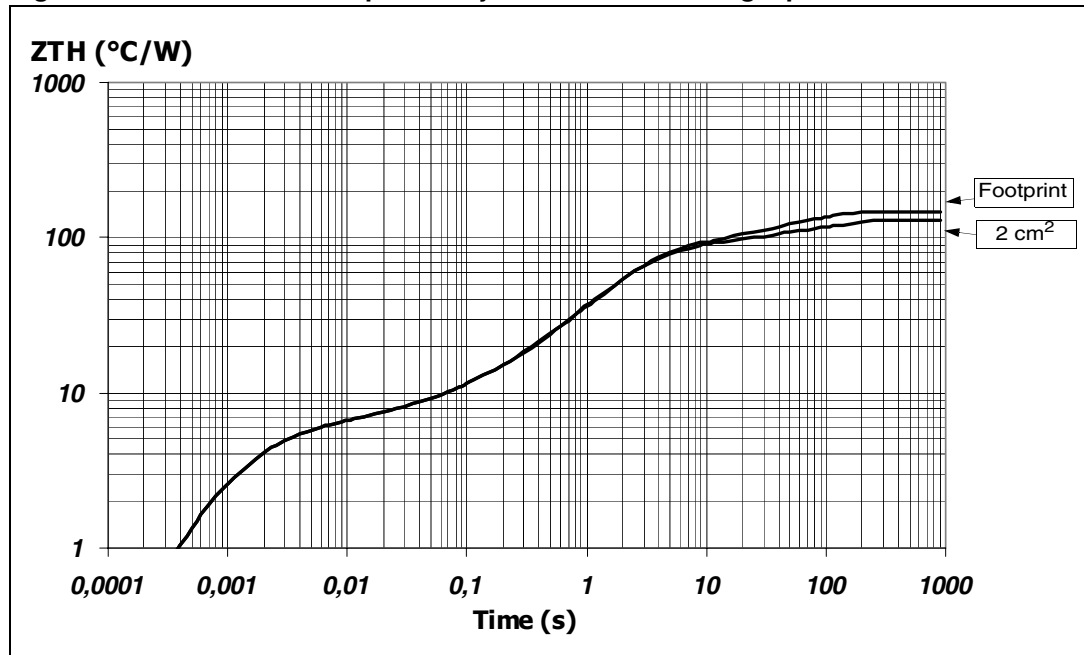


Figure 30. SO-8 thermal impedance junction ambient single pulse

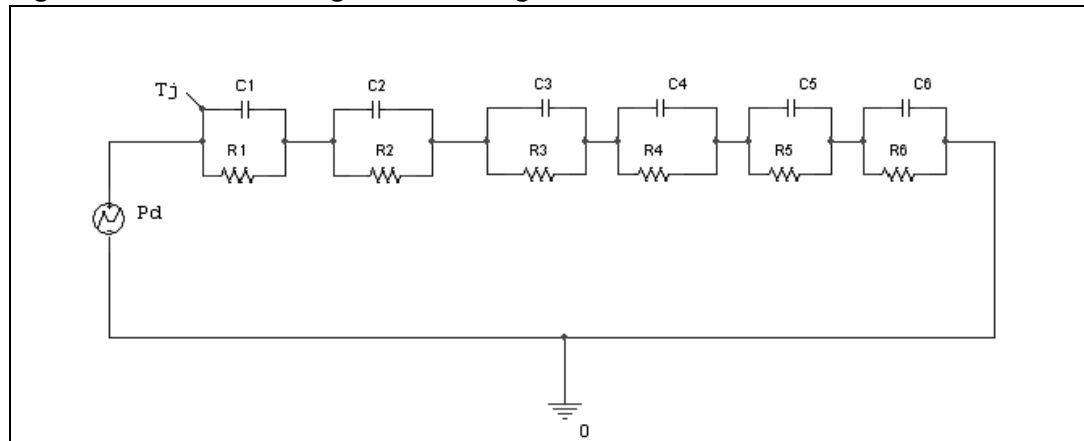


Equation 1: pulse calculation formula

$$Z_{TH\delta} = R_{TH} \cdot \delta + Z_{THtp}(1 - \delta)$$

where  $\delta = t_p/T$

Figure 31. Thermal fitting model of Vreg in SO-8

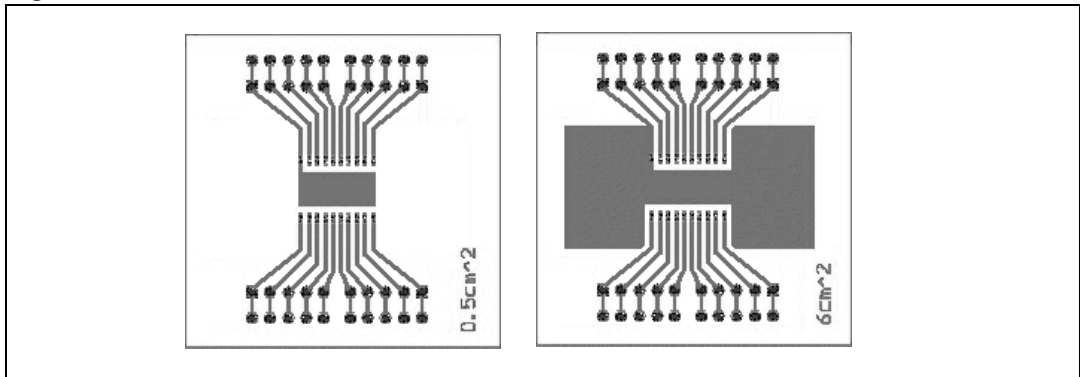


**Table 9. SO-8 thermal parameter**

<b>Area/island (cm<sup>2</sup>)</b>	<b>Footprint</b>	<b>2</b>
R1 (°C/W)	4.21	
R2 (°C/W)	2.11	
R3 (°C/W)	2	
R4 (°C/W)	41	
R5 (°C/W)	40	
R6 (°C/W)	58	40
C1 (W.s/°C)	0.00029	
C2 (W.s/°C)	0.0024	
C3 (W.s/°C)	0.03	
C4 (W.s/°C)	0.04	
C5 (W.s/°C)	0.1	
C6 (W.s/°C)	1.05	2

## 4.2 SO-20 thermal data

Figure 32. SO-20 PC board



Note: Layout condition of  $R_{th}$  and  $Z_{th}$  measurements (PCB FR4 area= 58mm x 58mm, PCB thickness = 2mm, Cu thickness=35 $\mu$ m , Copper areas: from minimum pad lay-out to 6cm<sup>2</sup>).

Figure 33.  $R_{thj-amb}$  Vs. PCB copper area in open box free air condition

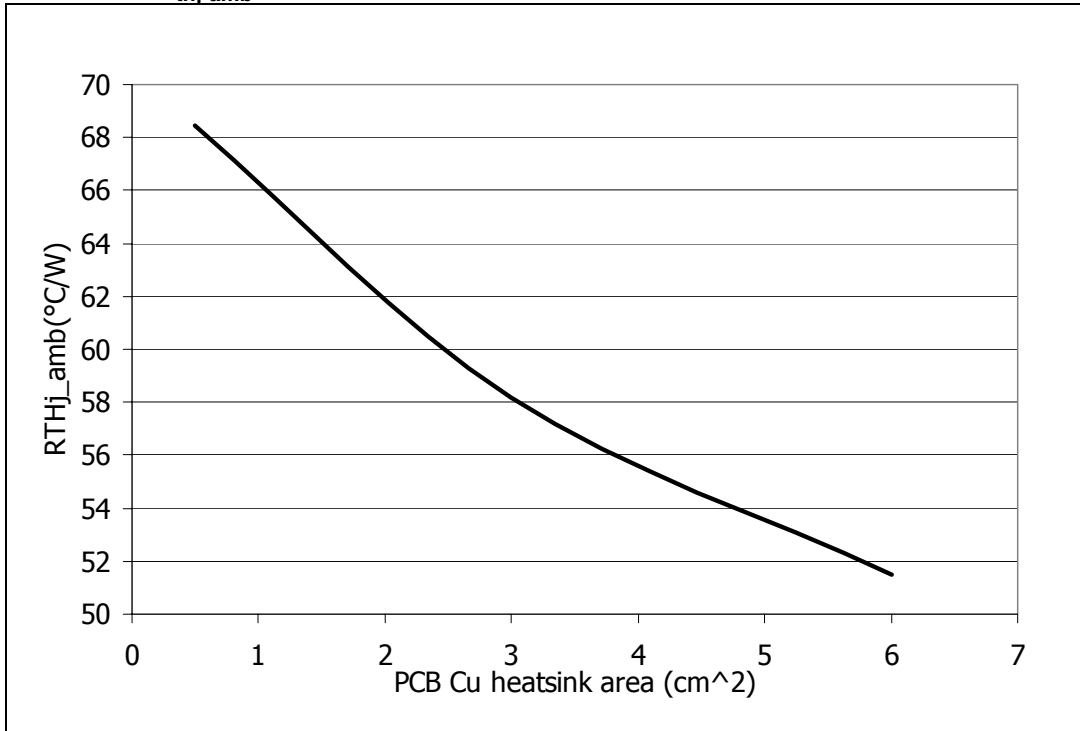
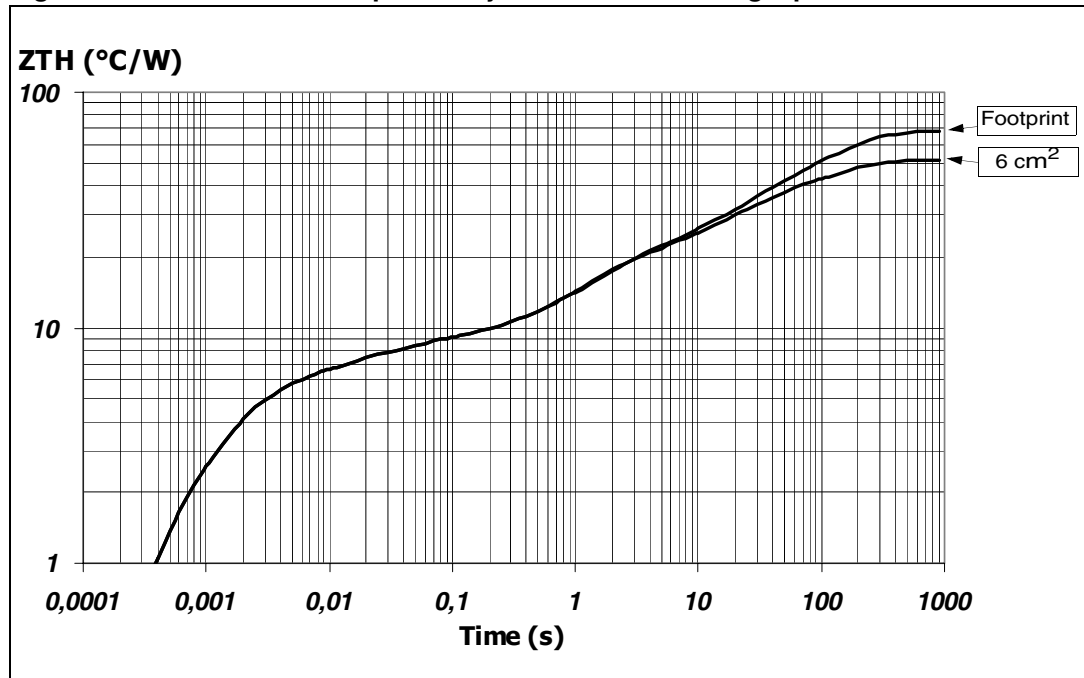


Figure 34. SO-20 thermal impedance junction ambient single pulse



Equation 2: pulse calculation formula

$$Z_{TH\delta} = R_{TH} \cdot \delta + Z_{THt_p}(1 - \delta)$$

where  $\delta = t_p/T$

Figure 35. Thermal fitting model of Vreg in SO-20

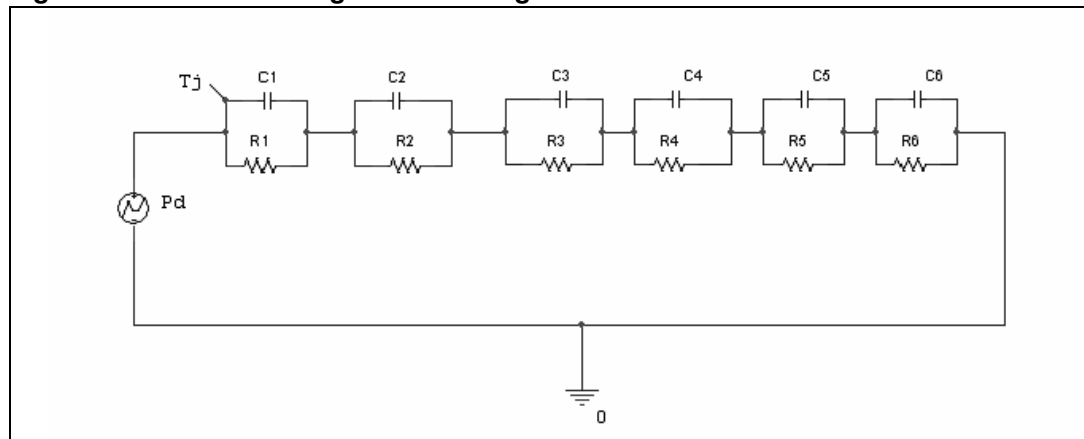


Table 10. SO-20 thermal parameter

Area/island (cm <sup>2</sup> )	Footprint	2
R1 (°C/W)	4.21	
R2 (°C/W)	2.11	
R3 (°C/W)	2.2	
R4 (°C/W)	10	
R5 (°C/W)	15	
R6 (°C/W)	35	18
C1 (W.s/°C)	0.00029	
C2 (W.s/°C)	0.0024	
C3 (W.s/°C)	0.015	
C4 (W.s/°C)	0.15	
C5 (W.s/°C)	1.5	
C6 (W.s/°C)	4	7

## 5 Package and packing information

### 5.1 ECOPACK® packages

In order to meet environmental requirements, ST offers these devices in ECOPACK® packages. These packages have a Lead-free second-level interconnect. The category of Second-Level Interconnect is marked on the package and on the inner box label, in compliance with JEDEC Standard JESD97. The maximum ratings related to soldering conditions are also marked on the inner box label.

ECOPACK is an ST trademark. ECOPACK specifications are available at: [www.st.com](http://www.st.com).

### 5.2 SO-8 package information

Figure 36. SO-8 package dimensions

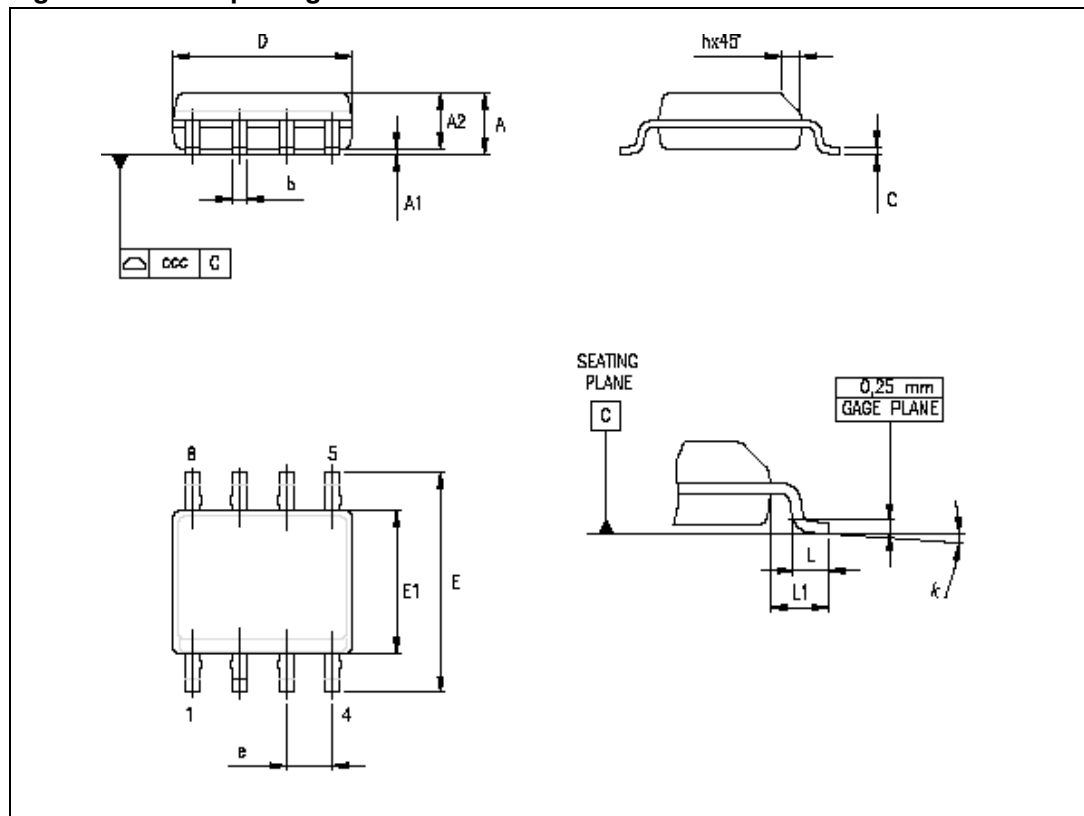




Table 11. SO-8 mechanical data

Symbol	Millimeters		
	Min.	Typ.	Max.
A			1.75
A1	0.10		0.25
A2	1.25		
b	0.28		0.48
c	0.17		0.23
D <sup>(1)</sup>	4.80	4.90	5.00
E	5.80	6.00	6.20
E1 <sup>(2)</sup>	3.80	3.90	4.00
e		1.27	
h	0.25		0.50
L	0.40		1.27
L1		1.04	
k	0°		8°
ccc			0.10

1. Dimensions D does not include mold flash, protrusions or gate burrs. Mold flash, protrusions or gate burrs shall not exceed 0.15mm in total (both side).
2. Dimension "E1" does not include interlead flash or protrusions. Interlead flash or protrusions shall not exceed 0.25mm per side.

### 5.3 SO-20 package information

Figure 37. SO-20 package dimensions

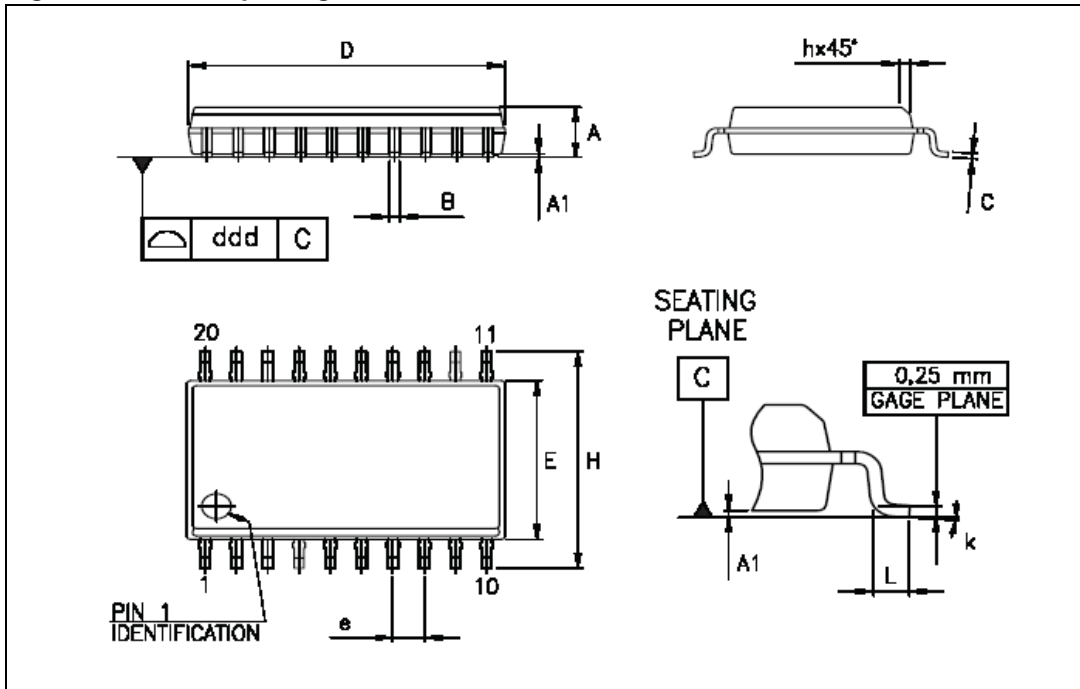


Table 12. SO-20 mechanical data

Symbol	Millimeters		
	Min.	Typ.	Max.
A	2.35		2.65
A1	0.10		0.30
B	0.33		0.51
C	0.23		0.32
D <sup>(1)</sup>	12.60		13.00
E	7.40		7.60
e		1.27	
H	10.0		10.65
h	0.25		0.75
L	0.40		1.27
k	0°		8°
ddd			0.10

1. "D" dimension does not include mold flash, protusions or gate burrs. Mold flash, protusions or gate burrs shall not exceed 0.15mm per side.

### 5.4 SO-8 packing information

Figure 38. SO-8 tube shipment (no suffix)

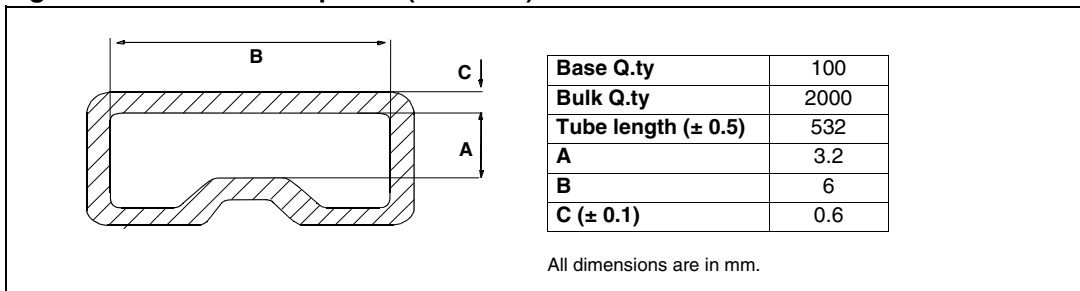
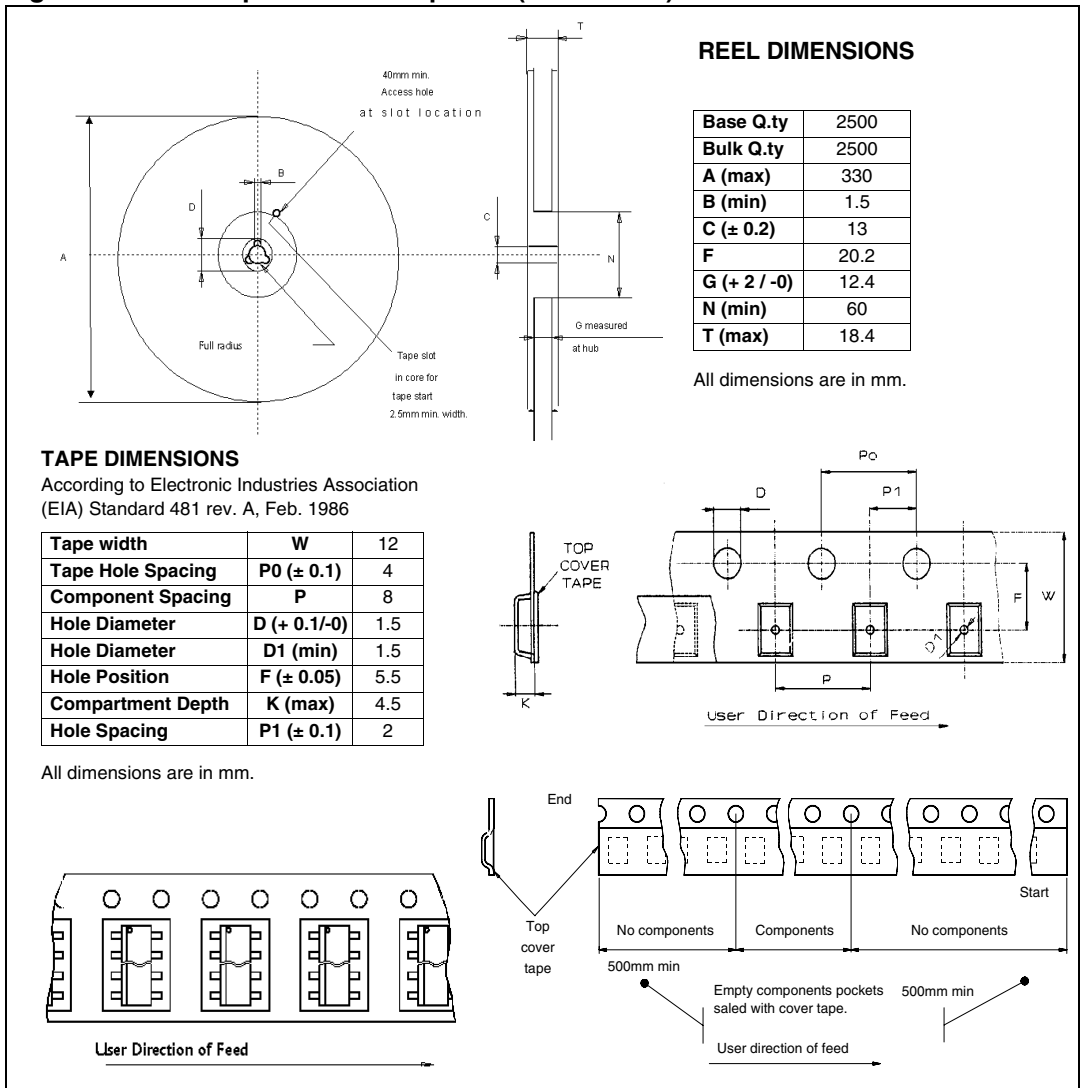


Figure 39. SO-8 tape and reel shipment (suffix "TR")



### 5.5 SO-20 packing information

Figure 40. SO-20 tube shipment (no suffix)

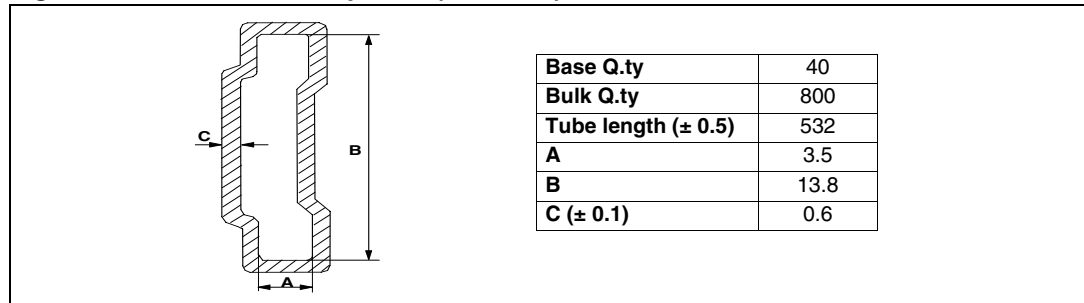
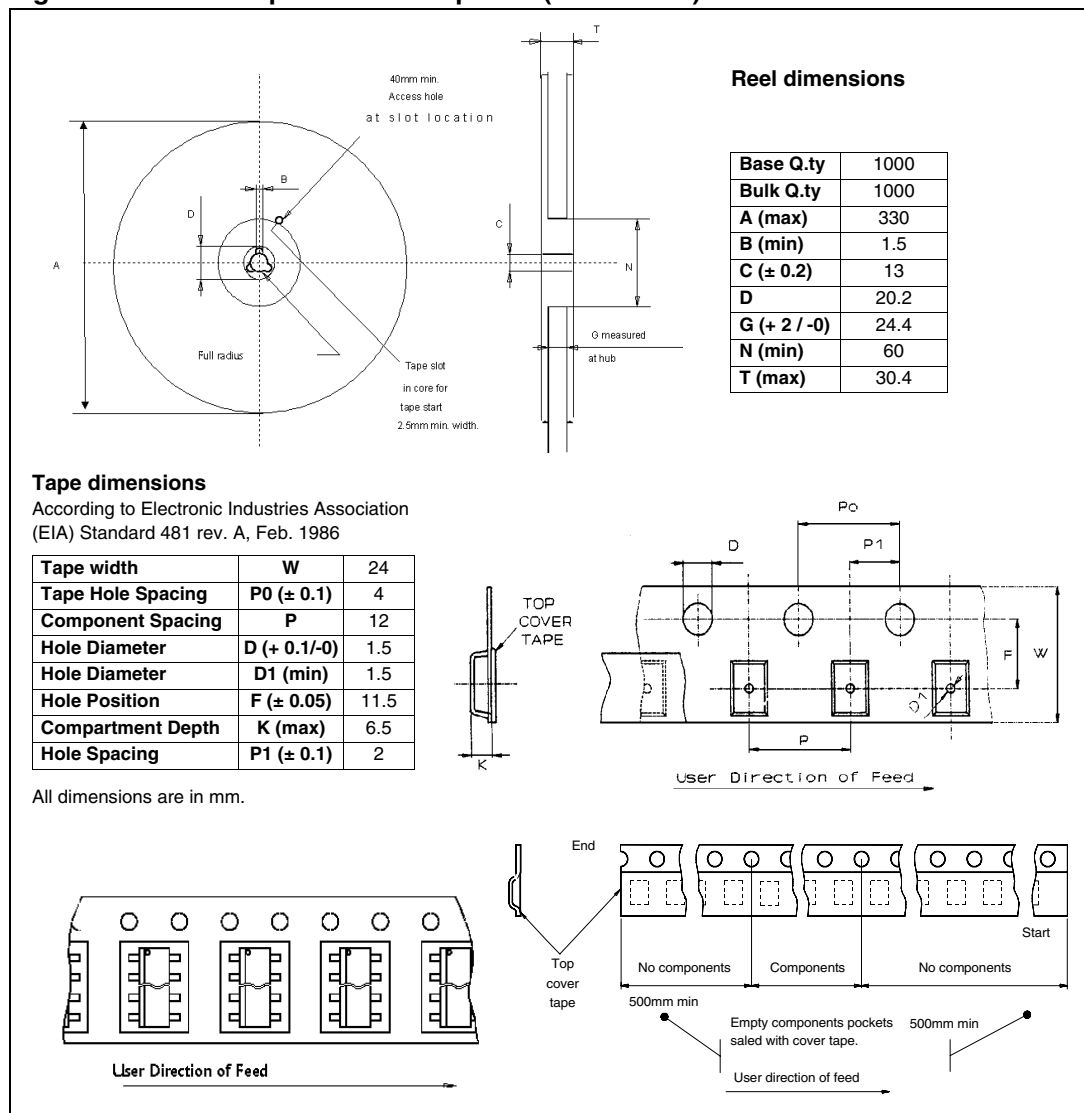


Figure 41. SO-20 tape and reel shipment (suffix “TR”)



## 6 Revision history

**Table 13. Document revision history**

Date	Revision	Changes
June-2004	1	Initial release.
18-Jan-2007	2	Updated <a href="#">Table 5</a> , <a href="#">6</a> , <a href="#">7</a> and <a href="#">8</a> .
01-Jun-2007	3	Document put in corporate technical literature template. Updated <a href="#">Table 4</a> .
22-Aug-2007	4	<a href="#">Table 5: General</a> : updated $I_{short}$ , $I_{lim}$ , $I_q$ , $T_{rr2}$ , $V_{ih\_hist}$ parameters.
29-Aug-2007	5	Added list of tables and figures. Added <a href="#">Section 4: Package and PCB thermal data</a> .
08-Apr-2008	6	Document restructured. Changed <a href="#">Figure 1: Block diagram</a> . Updated <a href="#">Table 5: General</a> : <ul style="list-style-type: none"> <li>– changed <math>I_{short}</math> max value from 4000 mA to 400 mA</li> <li>– changed <math>I_{qn\_150}</math> typ. value from 1.45 mA to 1.25 mA</li> <li>– changed <math>I_{qn\_50}</math> typ. value from 538 <math>\mu</math>A to 470 <math>\mu</math>A</li> <li>– changed <math>I_{qn\_1}</math> typ. value from 120 <math>\mu</math>A to 100 <math>\mu</math>A.</li> </ul> Updated <a href="#">Table 6: Reset</a> : <ul style="list-style-type: none"> <li>– corrected trd formula.</li> </ul> Updated <a href="#">Table 7: Watchdog</a> : <ul style="list-style-type: none"> <li>– changed <math>V_{wlth}</math> values in <math>V_{o\_ref}</math> percentages</li> <li>– changed <math>V_{whth}</math> values in <math>V_{o\_ref}</math> percentages.</li> </ul> Added <a href="#">Figure 24: L4993 application schematic</a> . Added <a href="#">Section 2.4: Electrical characteristics curves</a> . Added <a href="#">Section 2.5: Test circuit and waveforms plot</a> .

**Please Read Carefully:**

Information in this document is provided solely in connection with ST products. STMicroelectronics NV and its subsidiaries ("ST") reserve the right to make changes, corrections, modifications or improvements, to this document, and the products and services described herein at any time, without notice.

All ST products are sold pursuant to ST's terms and conditions of sale.

Purchasers are solely responsible for the choice, selection and use of the ST products and services described herein, and ST assumes no liability whatsoever relating to the choice, selection or use of the ST products and services described herein.

No license, express or implied, by estoppel or otherwise, to any intellectual property rights is granted under this document. If any part of this document refers to any third party products or services it shall not be deemed a license grant by ST for the use of such third party products or services, or any intellectual property contained therein or considered as a warranty covering the use in any manner whatsoever of such third party products or services or any intellectual property contained therein.

**UNLESS OTHERWISE SET FORTH IN ST'S TERMS AND CONDITIONS OF SALE ST DISCLAIMS ANY EXPRESS OR IMPLIED WARRANTY WITH RESPECT TO THE USE AND/OR SALE OF ST PRODUCTS INCLUDING WITHOUT LIMITATION IMPLIED WARRANTIES OF MERCHANTABILITY, FITNESS FOR A PARTICULAR PURPOSE (AND THEIR EQUIVALENTS UNDER THE LAWS OF ANY JURISDICTION), OR INFRINGEMENT OF ANY PATENT, COPYRIGHT OR OTHER INTELLECTUAL PROPERTY RIGHT.**

**UNLESS EXPRESSLY APPROVED IN WRITING BY AN AUTHORIZED ST REPRESENTATIVE, ST PRODUCTS ARE NOT RECOMMENDED, AUTHORIZED OR WARRANTED FOR USE IN MILITARY, AIR CRAFT, SPACE, LIFE SAVING, OR LIFE SUSTAINING APPLICATIONS, NOR IN PRODUCTS OR SYSTEMS WHERE FAILURE OR MALFUNCTION MAY RESULT IN PERSONAL INJURY, DEATH, OR SEVERE PROPERTY OR ENVIRONMENTAL DAMAGE. ST PRODUCTS WHICH ARE NOT SPECIFIED AS "AUTOMOTIVE GRADE" MAY ONLY BE USED IN AUTOMOTIVE APPLICATIONS AT USER'S OWN RISK.**

Resale of ST products with provisions different from the statements and/or technical features set forth in this document shall immediately void any warranty granted by ST for the ST product or service described herein and shall not create or extend in any manner whatsoever, any liability of ST.

ST and the ST logo are trademarks or registered trademarks of ST in various countries.

Information in this document supersedes and replaces all information previously supplied.

The ST logo is a registered trademark of STMicroelectronics. All other names are the property of their respective owners.

© 2008 STMicroelectronics - All rights reserved

STMicroelectronics group of companies

Australia - Belgium - Brazil - Canada - China - Czech Republic - Finland - France - Germany - Hong Kong - India - Israel - Italy - Japan - Malaysia - Malta - Morocco - Singapore - Spain - Sweden - Switzerland - United Kingdom - United States of America

[www.st.com](http://www.st.com)