

**FRACTIONAL-N PLL WITH INTEGRATED VCO, 11.5 - 12.5 GHz**



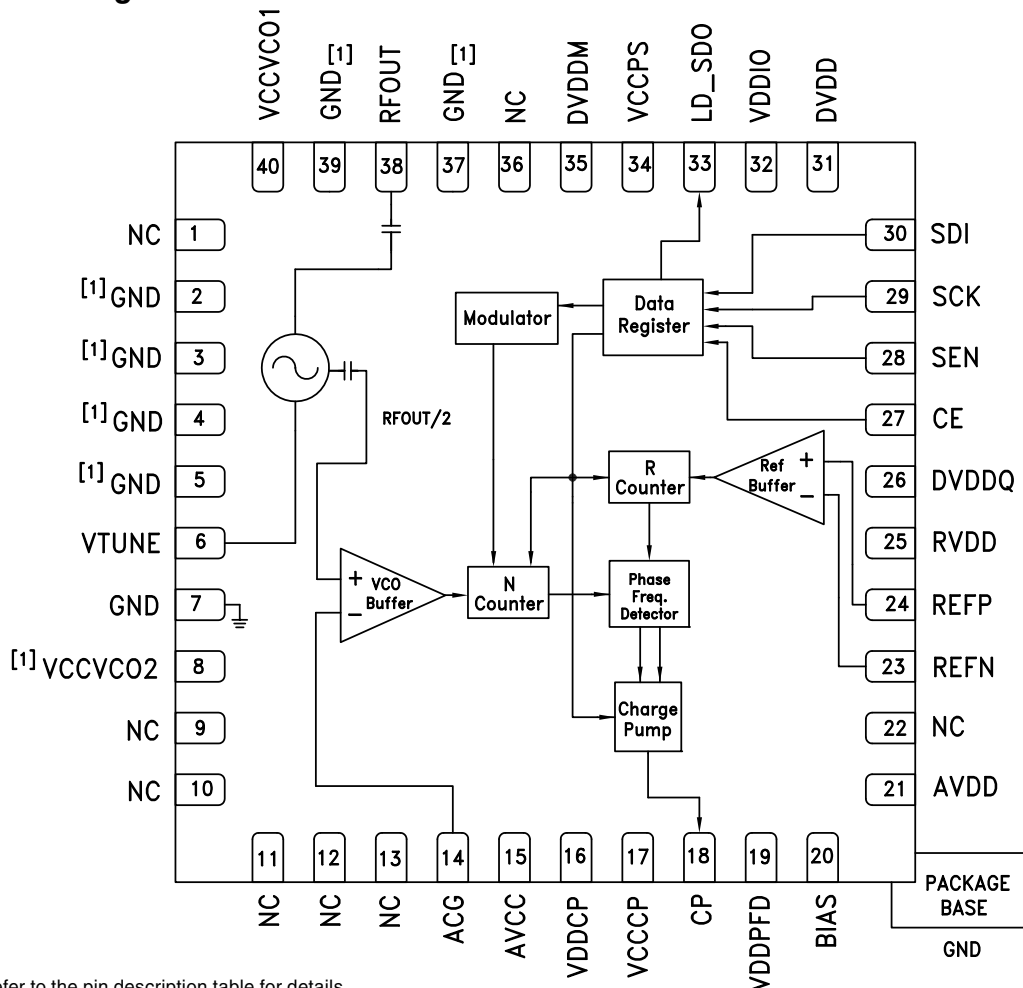
**Features**

- RF Bandwidth: 11.5 GHz to 12.5 GHz
- Fractional or Integer Modes
- Ultra Low Phase Noise  
12 GHz; 50 MHz Ref.  
-95 / -99 dBc/Hz @ 10 kHz (Frac / Int)  
-134 dBc/Hz @ 1 MHz (Open Loop)
- Figure of Merit (FOM)  
-221 / -226 dBc/Hz (Frac / Int)
- 24-bit Step Size, Resolution 3 Hz typ
- 225 MHz, 14-bit reference path input
- Direct FSK Modulation Mode
- Cycle Slip Prevention
- Read / Write Serial Port, Chip ID
- 40 Lead 6 x 6 mm SMT Package: 36 mm<sup>2</sup>

**Typical Applications**

- VSAT Radio
- Point-to-Point / Multi-Point Radio
- Test Equipment & Industrial Control
- Military End-Use
- Phased Array Applications

**Functional Diagram**



[1] Please refer to the pin description table for details

Information furnished by Analog Devices is believed to be accurate and reliable. However, no responsibility is assumed by Analog Devices for its use, nor for any infringements of patents or other rights of third parties that may result from its use. Specifications subject to change without notice. No license is granted by implication or otherwise under any patent or patent rights of Analog Devices. Trademarks and registered trademarks are the property of their respective owners.

For price, delivery, and to place orders: Analog Devices, Inc., One Technology Way, P.O. Box 9106, Norwood, MA 02062-9106 Phone: 781-329-4700 • Order online at [www.analog.com](http://www.analog.com) Application Support: Phone: 1-800-ANALOG-D



## FRACTIONAL-N PLL WITH INTEGRATED VCO, 11.5 - 12.5 GHz

### General Description

The HMC783LP6CE is a fully featured Fractional-N Phase-Locked-Loop (PLL) with an Integrated Voltage Controlled Oscillator (VCO). The input reference frequency range is 100 kHz to 220 MHz while the advanced delta-sigma modulator design in the fractional PLL allows both ultra-fine step sizes and very low spurious products. The highly integrated structure provides excellent phase noise performance over temperature, shock and process. The HMC783LP6CE is packaged in a leadless QFN 6 x 6 mm surface mount package. The output power is 11 dBm typical, making the HMC783LP6CE ideal for driving the LO port of many of Hittite's Hi Linearity and I/Q mixer products.

For theory of operation and register map refer to the "PLLs w/ Integrated VCO - Microwave VCOs" Operating Guide. To view the [Operating Guide](#), please visit [www.hittite.com](http://www.hittite.com) and choose HMC783LP6CE from the "Search by Part Number" pull down menu.

### Electrical Specifications, $T_A = +25^\circ\text{C}$ ; VCCVCO, VDDCP, VCCCP = +5V; AVCC, VCCPS VDDPFD, AVDD, RVDD, DVDD, DVDDM, DVDDQ, VDDIO = +3.3V; AGND = DGND = 0V

| Parameter   | Condition   | Min.  | Typ.        | Max.  | Units            |
|---|---|-------|-------------|-------|------------------|
| <b>RF Output Characteristics</b>                                |   |       |             |       |                  |
| VCO Output Frequency Range                                      |   | 11.5  | 12          | 12.5  | GHz              |
| VCO Output Power  |   | 5     |             | 15    | dBm              |
| VCO Tuning Voltage  |   | 2     |             | 13    | V                |
| VCO Tuning Sensitivity  | $V_{TUNE} = +5V$  |       | 160         |       | MHz/V            |
| Frequency Pulling (into a 2:1 VSWR)                             |   |       | 8           |       | MHz pp           |
| Frequency Pushing   | $V_{TUNE} = +5V$  |       | 6           |       | MHz/V            |
| Frequency Drift Rate  |   |       | 1.2         |       | MHz/°C           |
| Sub Harmonic (1/2)  |   |       | 30          |       | dBc              |
| Harmonic (2 <sup>nd</sup> )                                     |   |       | 24          |       | dBc              |
| Harmonic (3 <sup>rd</sup> )                                     |   |       | 40          |       | dBc              |
| VCO SSB Phase Noise @ 100 kHz Offset (Open Loop)                | $V_{TUNE} = +5V$<br>$F_{VCO} = 12\text{ GHz}$                               |       | -110        |       | dBc/Hz           |
| Synthesizer In-Band SSB Phase Noise @ 10 kHz Offset (Frac/Int)  | $F_{ref} = 50\text{ MHz}$<br>$F_{vco} = 12\text{ GHz}$<br>Loop BW = 100 kHz |       | -95 / -99   |       | dBc/Hz           |
| Synthesizer Normalized In-Band SSB Phase Noise Floor (Frac/Int) |   |       | -221 / -226 |       | dBc/Hz           |
| Synthesizer Fractional Spurs <sup>[1]</sup>                     |   |       | -65         |       | dBc              |
| Synthesizer Frequency Settling Time (100 MHz Step)              | From 12.1 GHz to 12 GHz<br>Loop BW = 100 kHz                                |       | 104         |       | μs               |
| 16-Bit Divider Range (Int)                                      | N Divider Ratio $2^{16}+31$   | 32    |             | 65567 |                  |
| 16-Bit Divider Range (Frac)                                     | N Divider Ratio $2^{16}-1$  | 36    |             | 65535 |                  |
| <b>REF Input Characteristics</b>                                |   |       |             |       |                  |
| Max Ref Input Frequency (3.3V)                                  |   | 200   | 225         |       | MHz              |
| Min Ref Input Frequency   |   |       | 100         | 200   | kHz              |
| Ref Input Sensitivity   | AC Coupled  |       | 500         | 700   | mV <sub>pp</sub> |
| Max Ref Input   | DC Coupled  | 0     |             | VDDIO | V                |
| Ref Input Capacitance   |   |       |             | 5     | pF               |
| 14-Bit Ref Divider Range  |   | 16383 |             | 1     |                  |

[1] Actual spur level is dependent on loop parameters and will increase at division ratios closest to integer boundaries. Number listed is average value.


**FRACTIONAL-N PLL WITH  
INTEGRATED VCO, 11.5 - 12.5 GHz**
**Electrical Specifications (Continued)**

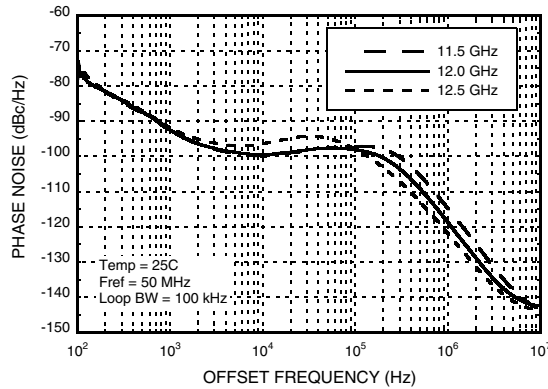
| Parameter   | Condition                  | Min.      | Typ.  | Max.  | Units  |
|---|----------------------------|-----------|-------|-------|--------|
| <b>Phase Detector</b>                                 |                            |           |       |       |        |
| Max Phase Detector Frequency (Frac)                   |                            | 70        | 105   |       | MHz    |
| Max Phase Detector Frequency (Int)                    |                            | 140       | 160   |       | MHz    |
| Min Phase Detector Frequency                          |                            |           |       | 100   | kHz    |
| <b>Charge Pump</b>                                    |                            |           |       |       |        |
| Max Output Current                                    |                            |           | 2     |       | mA     |
| Min Output Current                                    |                            |           | 500   |       | μA     |
| Charge Pump Noise                                     | Input referred 50 MHz Ref. |           | -145  |       | dBc/Hz |
| <b>Logic Inputs</b>                                   |                            |           |       |       |        |
| VIH Input High Voltage                                |                            | VDDIO-0.4 |       | VDDIO | V      |
| VIL Input Low Voltage                                 |                            | 0         |       | 0.4   | V      |
| <b>Logic Outputs</b>                                  |                            |           |       |       |        |
| VOH Output High Voltage                               |                            | VDDIO-0.4 |       | VDDIO | V      |
| VOL Output Low Voltage                                |                            | 0         |       | 0.4   | V      |
| Serial Port Max Clock                                 |                            |           | 50    |       | MHz    |
| <b>Power Supply Voltages</b>                          |                            |           |       |       |        |
| Analog 3.3V Supplies: AVCC, VDDPFD, AVDD, RVDD, VCCPS | AVDD must equal DVDD       | 3         | 3.3   | 3.45  | V      |
| Digital Internal Supplies: DVDD, DVDDQ, DVDDM         |                            | 3         | 3.3   | 3.45  | V      |
| Digital I/O Supplies: VDDIO                           | Logic I/O                  | 1.8       | 3.3   | 5.5   | V      |
| Analog 5V Supplies: VCCVCO, VDDCP, VCCCP              | VCCCP must equal VDDCP     | 4.75      | 5     | 5.25  | V      |
| <b>Power Supply Currents</b>                          |                            |           |       |       |        |
| Total Current Consumption (5V)                        |                            |           | 145   | 190   | mA     |
| Total Current Consumption (3.3V)                      |                            |           | 90    | 110   | mA     |
| Power Down Current <sup>[1]</sup>                     | CSP Disabled               |           | 1     | 10    | μA     |
|   | CSP Enabled                |           | 450   |       | μA     |
| <b>Bias Reference Voltage</b>                         | Measured with 10 GΩ meter  | 1.880     | 1.920 | 1.960 | V      |

[1] Refers only to the Synthesizer portion of the HMC783LP6CE

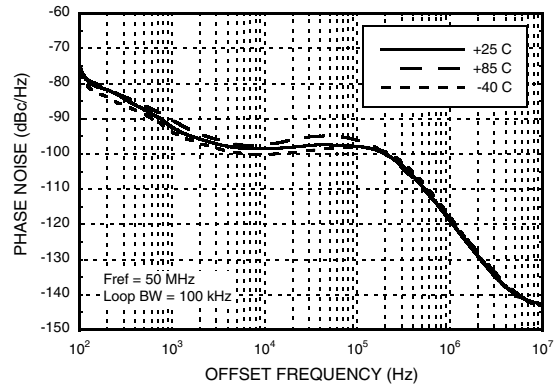


**FRACTIONAL-N PLL WITH INTEGRATED VCO, 11.5 - 12.5 GHz**

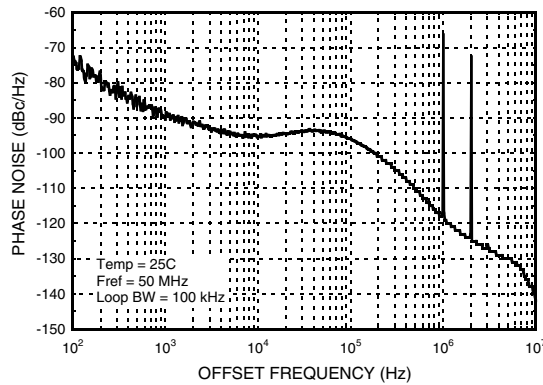
**SSB Phase Noise vs. Frequency, Integer Mode**



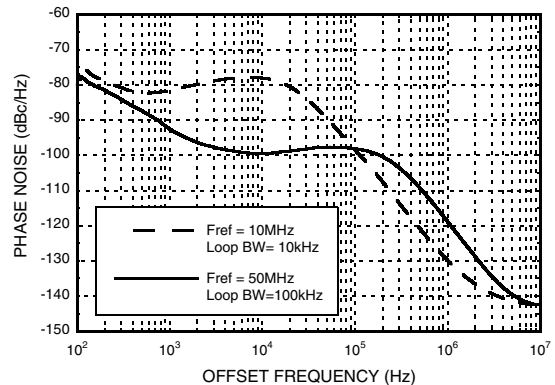
**SSB Phase Noise vs. Temperature @ 12 GHz, Integer Mode**



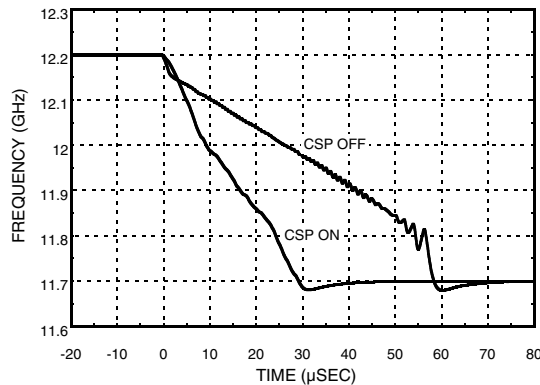
**SSB Phase Noise Fractional Spurs @ 12.002 GHz**



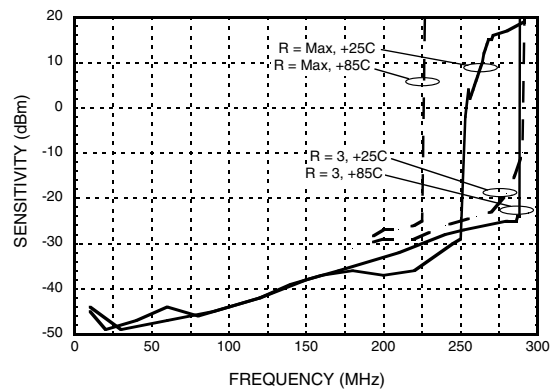
**SSB Phase Noise vs. Reference Freq. & Loop BW @ 12 GHz, Integer Mode**



**Example of Cycle Slip Prevention Hop from 12.2 to 11.7 GHz**



**Typical Reference Sensitivity vs. Frequency, 3.3V [1]**

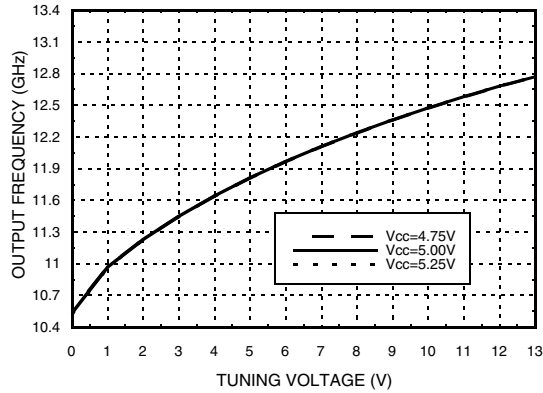


[1] R refers to the reference path division ratio

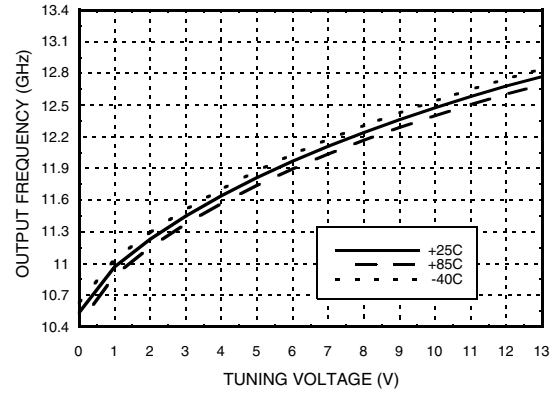


**FRACTIONAL-N PLL WITH INTEGRATED VCO, 11.5 - 12.5 GHz**

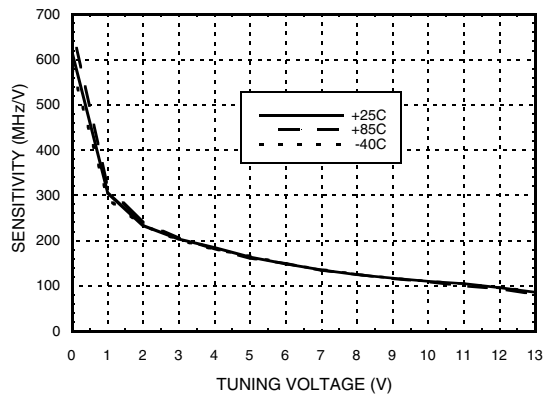
**Frequency vs. Tuning Voltage, T = 25°C**



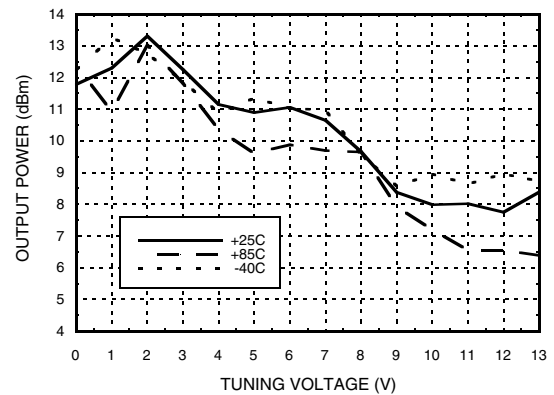
**Frequency vs. Tuning Voltage, Vcc = +5V**



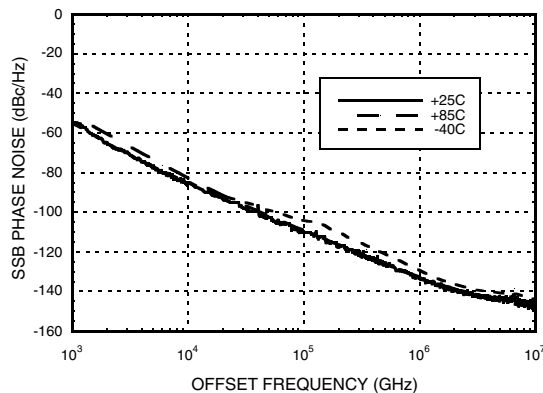
**Sensitivity vs. Tuning Voltage, Vcc = +5V**



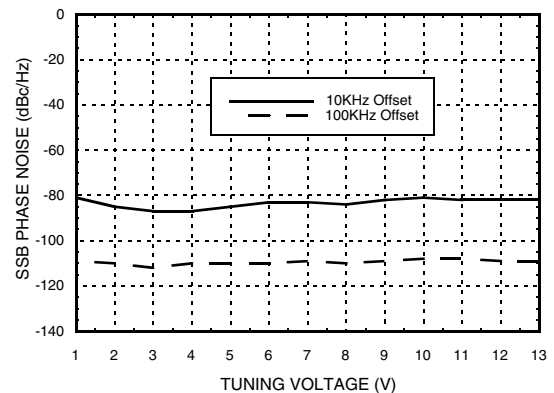
**Output Power vs. Tuning Voltage, Vcc = +5V**



**Open Loop VCO SSB Phase Noise @ Vtune = +5V**



**Open Loop VCO SSB Phase Noise vs. Tuning Voltage**



7

PLLS w/ INTEGRATED VCO - SMT

Information furnished by Analog Devices is believed to be accurate and reliable. However, no responsibility is assumed by Analog Devices for its use, nor for any infringements of patents or other rights of third parties that may result from its use. Specifications subject to change without notice. No license is granted by implication or otherwise under any patent or patent rights of Analog Devices. Trademarks and registered trademarks are the property of their respective owners.

For price, delivery, and to place orders: Analog Devices, Inc., One Technology Way, P.O. Box 9106, Norwood, MA 02062-9106 Phone: 781-329-4700 • Order online at [www.analog.com](http://www.analog.com) Application Support: Phone: 1-800-ANALOG-D



## FRACTIONAL-N PLL WITH INTEGRATED VCO, 11.5 - 12.5 GHz

### Pin Descriptions

| Pin Number        | Function    | Description  |
|-------------------|-------------|--|
| 1, 9 - 13, 22, 36 | N/C         | No Connection. These pins may be connected to RF/DC ground. Performance will not be affected.  |
| 2 - 4, 7, 37, 39  | GND [1]     | These pins must be connected to RF/DC Ground   |
| 5                 | GND         | These pins and package bottom must be connected to RF/DC Ground  |
| 8                 | VCCVCO2 [2] | +5V Power Supply for VCO   |
| 40                | VCCVCO1     |  |
| 6                 | VTUNE       | Control Voltage Input. Modulation port bandwidth dependent on drive source impedance.  |
| 14                | ACG         | AC Ground. This pin must be connected to an external capacitor to ground.  |
| 15                | AVCC        | Analog Power supply pin for the RF Section. A decoupling capacitor to the ground plane should be placed as close as possible to this pin. Nominally 3.3V |
| 16                | VDDCP       | +5V Power Supply for charge pump digital section   |
| 17                | VCCCP       | +5V Power Supply for the charge pump analog section  |
| 18                | CP          | Charge pump output   |
| 19                | VDDPFD      | Analog Power supply for the phase frequency detector, Nominally 3.3V   |
| 20                | BIAS [3]    | External bypass decoupling for precision bias circuits, 1.920V ±20 mV is generated internally  |
| 21                | AVDD        | Analog Power supply for analog ref paths, Nominally 3.3V   |
| 23                | REFN        | Reference input (Negative or AC coupled to GND)  |
| 24                | REFP        | Reference input (Positive)   |
| 25                | RVDD        | Ref path supply  |
| 26                | DVDDQ       | Digital supply for Substrate, Nominally 3.3V   |
| 27                | CE          | Chip Enable  |
| 28                | SEN         | Serial port latch enable input   |
| 29                | SCK         | Serial port clock input  |
| 30                | SDI         | Serial port data input   |
| 31                | DVDD        | Power supply pin for internal digital circuitry. Nominally 3.3V  |
| 32                | VDDIO       | Power Supply for digital I/O driver  |
| 33                | LD_SDO      | Lock Detect, Main Serial Data Output or VCO Serial Port Data Out   |
| 34                | VCCPS       | Analog Power Supply for Prescaler, Nominally 3.3V  |
| 35                | DVDDM       | Digital Power Supply for M-Counter, Nominally 3.3V   |
| 38                | RFOUT       | RF output (AC coupled).  |

[1] This pin is not connected internally, however, this pin must be connected to GND to maintain product family pin for pin compatibility.

[2] This pin is not connected internally, however, this pin must be connected to Vcc to maintain product family pin for pin compatibility.

[3] BIAS ref voltage (pin 20) cannot drive an external load, and must be measured with a 10 GOhm meter such as Agilent 34410A; a typical 10 Mohm DVM will read erroneously.



**FRACTIONAL-N PLL WITH INTEGRATED VCO, 11.5 - 12.5 GHz**

**Pin Schematic Equivalents**

| Pins              | Equivalent Schematic |
|-------------------|----------------------|
| RFOUT             |                      |
| VCCVCO1           |                      |
| VTUNE             |                      |
| GND               |                      |
| SEN, CE, SCK, SDI |                      |
| LD_SDO            |                      |
| CP                |                      |

7

PLLS w/ INTEGRATED VCO - SMT



**FRACTIONAL-N PLL WITH  
INTEGRATED VCO, 11.5 - 12.5 GHz**

**Pin Schematic Equivalents (Continued)**

| Pins       | Equivalent Schematic |
|------------|----------------------|
| Bias       |                      |
| REFN, REFP |                      |

Information furnished by Analog Devices is believed to be accurate and reliable. However, no responsibility is assumed by Analog Devices for its use, nor for any infringements of patents or other rights of third parties that may result from its use. Specifications subject to change without notice. No license is granted by implication or otherwise under any patent or patent rights of Analog Devices. Trademarks and registered trademarks are the property of their respective owners.

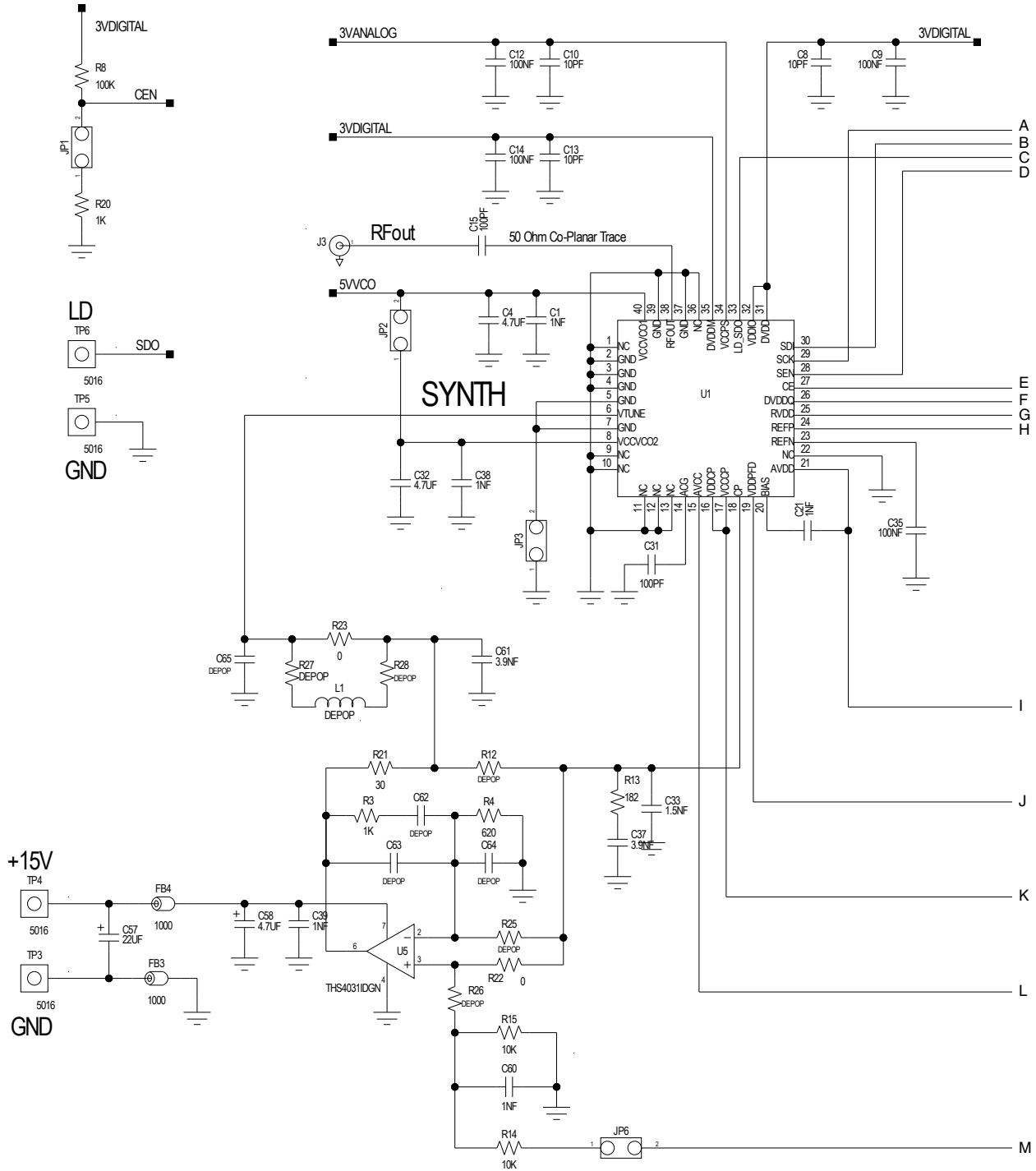
For price, delivery, and to place orders: Analog Devices, Inc., One Technology Way, P.O. Box 9106, Norwood, MA 02062-9106 Phone: 781-329-4700 • Order online at [www.analog.com](http://www.analog.com) Application Support: Phone: 1-800-ANALOG-D





**FRACTIONAL-N PLL WITH  
INTEGRATED VCO, 11.5 - 12.5 GHz**

**Evaluation Circuit**



7

PLLS w/ INTEGRATED VCO - SMT

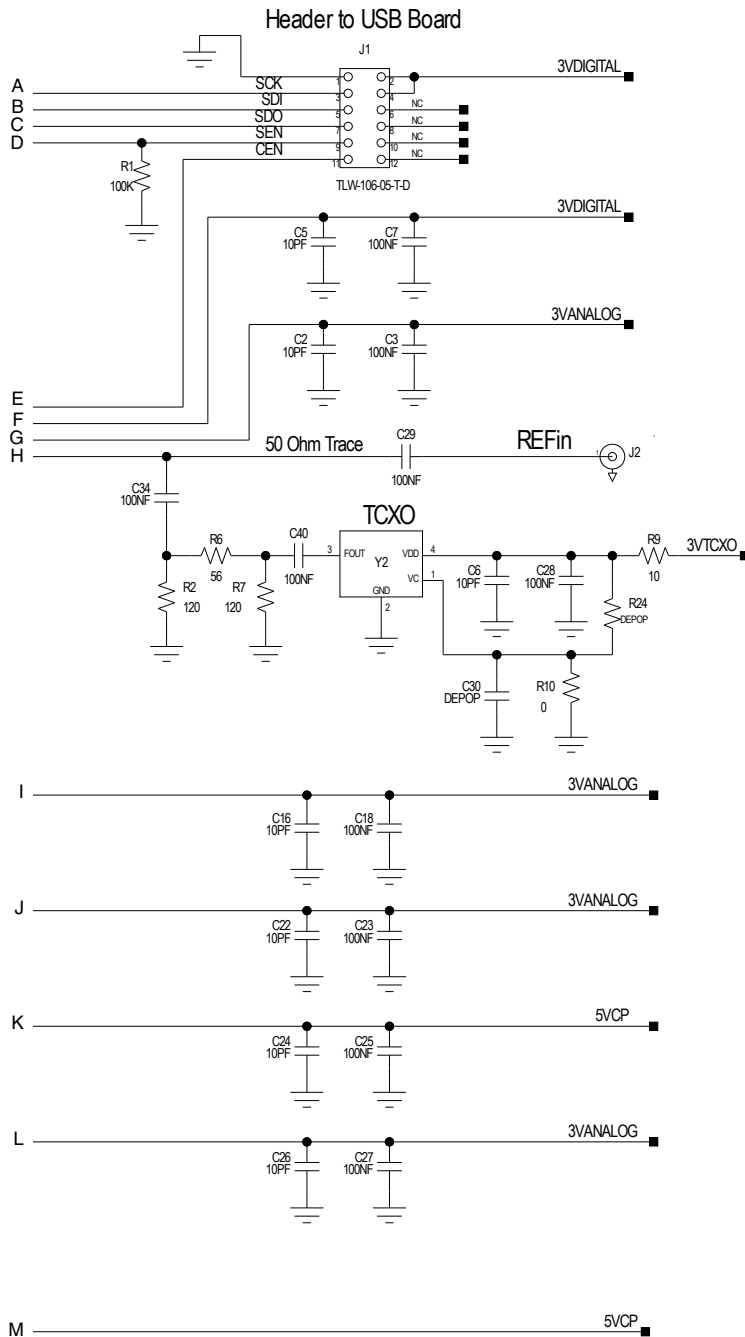
Information furnished by Analog Devices is believed to be accurate and reliable. However, no responsibility is assumed by Analog Devices for its use, nor for any infringements of patents or other rights of third parties that may result from its use. Specifications subject to change without notice. No license is granted by implication or otherwise under any patent or patent rights of Analog Devices. Trademarks and registered trademarks are the property of their respective owners.

For price, delivery, and to place orders: Analog Devices, Inc., One Technology Way, P.O. Box 9106, Norwood, MA 02062-9106 Phone: 781-329-4700 • Order online at [www.analog.com](http://www.analog.com) Application Support: Phone: 1-800-ANALOG-D



**FRACTIONAL-N PLL WITH INTEGRATED VCO, 11.5 - 12.5 GHz**

**Evaluation Circuit (Continued from page 9)**



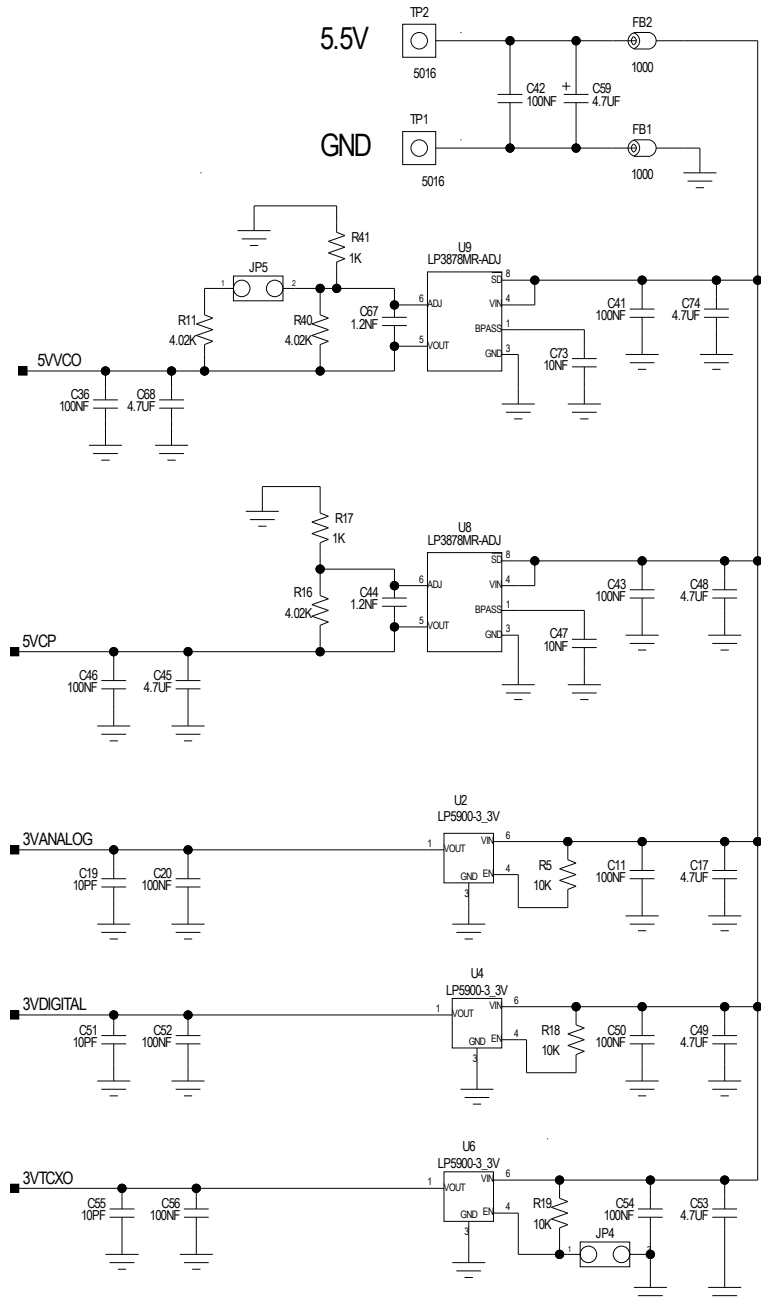
Information furnished by Analog Devices is believed to be accurate and reliable. However, no responsibility is assumed by Analog Devices for its use, nor for any infringements of patents or other rights of third parties that may result from its use. Specifications subject to change without notice. No license is granted by implication or otherwise under any patent or patent rights of Analog Devices. Trademarks and registered trademarks are the property of their respective owners.

For price, delivery, and to place orders: Analog Devices, Inc., One Technology Way, P.O. Box 9106, Norwood, MA 02062-9106 Phone: 781-329-4700 • Order online at [www.analog.com](http://www.analog.com) Application Support: Phone: 1-800-ANALOG-D



**FRACTIONAL-N PLL WITH INTEGRATED VCO, 11.5 - 12.5 GHz**

**Evaluation Circuit (Continued from page 10)**



7

PLLS w/ INTEGRATED VCO - SMT



## FRACTIONAL-N PLL WITH INTEGRATED VCO, 11.5 - 12.5 GHz

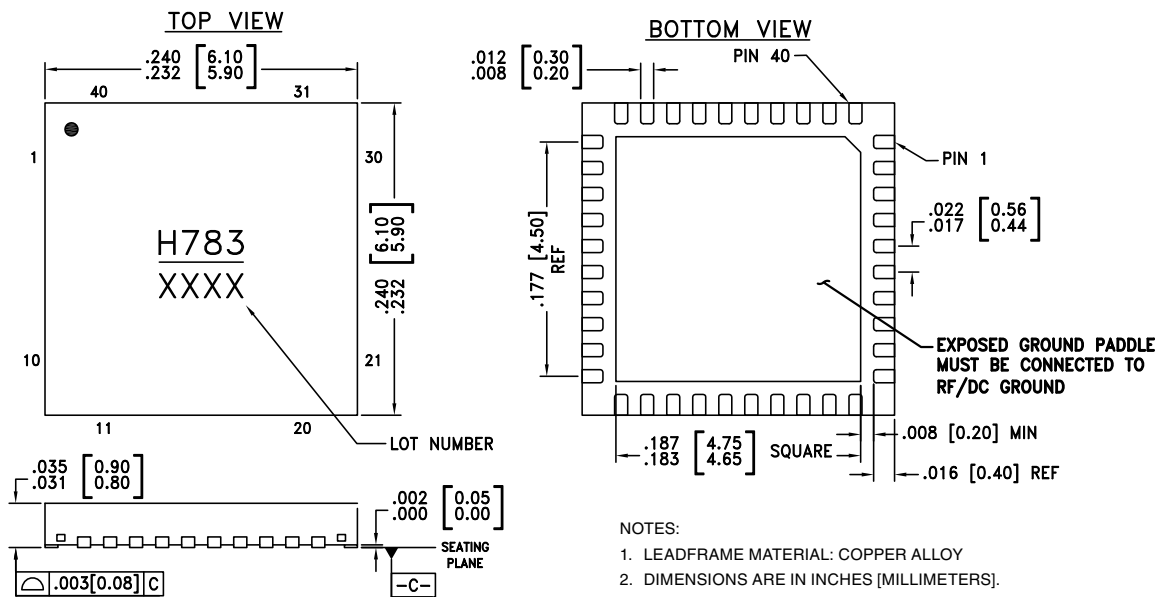
### Absolute Maximum Ratings

|   |                |
|---|----------------|
| Nominal 3.3V Supplies to GND                          | -0.3V to +3.6V |
| Nominal Digital Supply Relative to 3.3V Analog Supply | -0.3V to +0.3V |
| Nominal 5V Supply to GND                              | -0.3 to +5.5V  |
| Vtune   | 0 to +15V      |
| Storage Temperature                                   | -65 to +150°C  |
| Max Peak Reflow Temperature                           | 260 °C         |
| ESD Sensitivity (HBM)                                 | Class 1A       |

### Reliability Information

|  |              |
|--|--------------|
| Junction Temperature to Maintain 1 Million Hour MTTF   | 135 °C       |
| Nominal Junction Temperature (T=85 °C)                 | 120 °C       |
| Thermal Resistance (Junction to GND Paddle, 5V Supply) | 48.3 °C/W    |
| Operating Temperature                                  | -40 to +85°C |

### Outline Drawing



#### NOTES:

- LEADFRAME MATERIAL: COPPER ALLOY
- DIMENSIONS ARE IN INCHES [MILLIMETERS].
- LEAD SPACING TOLERANCE IS NON-CUMULATIVE
- PAD BURR LENGTH SHALL BE 0.15 mm MAXIMUM. PAD BURR HEIGHT SHALL BE 0.05mm MAXIMUM.
- PACKAGE WARP SHALL NOT EXCEED 0.05mm.
- ALL GROUND LEADS AND GROUND PADDLE MUST BE SOLDERED TO PCB RF GROUND.
- REFER TO HITTITE APPLICATION NOTE FOR SUGGESTED PCB LAND PATTERN.

### Package Information

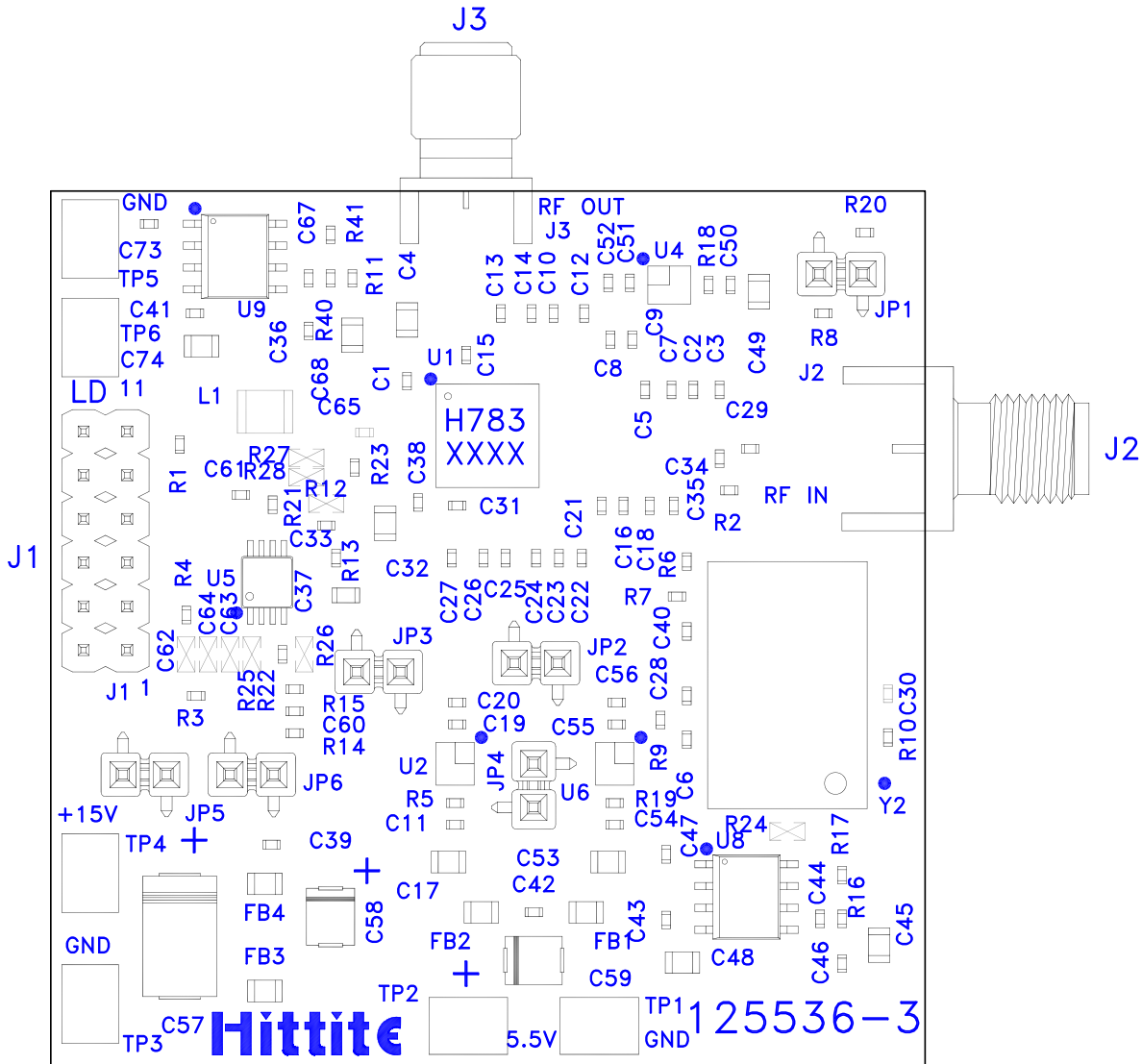
| Part Number | Package Body Material                              | Lead Finish   | MSL Rating | Package Marking <sup>[1]</sup> |
|-------------|--|---------------|------------|--------------------------------|
| HMC783LP6CE | RoHS-compliant Low Stress Injection Molded Plastic | 100% matte Sn | MSL3       | H783<br>XXXX                   |

[1] 4-Digit lot number XXXX



**FRACTIONAL-N PLL WITH INTEGRATED VCO, 11.5 - 12.5 GHz**

**Evaluation PCB**



The circuit board used in the application should use RF circuit design techniques. Signal lines should have 50 Ohm impedance while the package ground leads and exposed paddle should be connected directly to the ground plane similar to that shown. A sufficient number of via holes should be used to connect the top and bottom ground planes. The evaluation circuit board shown is available from Hittite upon request.

Information furnished by Analog Devices is believed to be accurate and reliable. However, no responsibility is assumed by Analog Devices for its use, nor for any infringements of patents or other rights of third parties that may result from its use. Specifications subject to change without notice. No license is granted by implication or otherwise under any patent or patent rights of Analog Devices. Trademarks and registered trademarks are the property of their respective owners.

For price, delivery, and to place orders: Analog Devices, Inc., One Technology Way, P.O. Box 9106, Norwood, MA 02062-9106 Phone: 781-329-4700 • Order online at [www.analog.com](http://www.analog.com) Application Support: Phone: 1-800-ANALOG-D


**FRACTIONAL-N PLL WITH  
INTEGRATED VCO, 11.5 - 12.5 GHz**
**List of Materials for Evaluation PCB 127272 [1]**

| Item  | Description                                       |
|---|---|
| J1  | Dual Row Terminal Strip                           |
| J2, J3  | PCB Mount SMA RF Connector                        |
| JP1 - JP6   | Single Row Terminal Strip                         |
| C1, C21, C38 - C39, C60   | 1000 pF Capacitor, 0402 Pkg.                      |
| C2, C5, C6, C8, C10, C13, C16, C19, C22, C24, C26, C51, C55   | 10 pF Capacitor, 0402 Pkg.                        |
| C3, C7, C9, C11, C12, C14, C18, C20, C23, C25, C27 - C29, C34 - C36, C40 - C43, C46, C50, C52, C54, C56 | 0.1 $\mu$ F Capacitor, 0402 Pkg.                  |
| C4, C17, C32, C45, C48, C49, C53, C68, C74  | 4.7 $\mu$ F Capacitor, 0805 Pkg.                  |
| C15, C31  | 100 pF Capacitor, 0402 Pkg.                       |
| C44, C67  | 1200 pF Capacitor, 0402 Pkg.                      |
| C33   | 1500 pF Capacitor, 0402 Pkg.                      |
| C37   | 0.039 $\mu$ F Capacitor, 0603 Pkg.                |
| C47, C73  | 10,000 pF Capacitor, 0402 Pkg.                    |
| C57   | 22 $\mu$ F Tantalum Capacitor, Case D             |
| C58, C59  | 4.7 $\mu$ F Tantalum Capacitor, Case B            |
| C61   | 3900 pF Capacitor, 0402 Pkg.                      |
| FB1 - FB4   | 1000 Ohm 200 mA Ferrite Chip, 0805 Pkg.           |
| R1, R8  | 100k Ohm Resistor, 0402 Pkg.                      |
| R2, R7  | 120 Ohm Resistor, 0402 Pkg.                       |
| R3, R17, R20, R41   | 1k Ohm Resistor, 0402 Pkg.                        |
| R4  | 620 Ohm Resistor, 0402 Pkg.                       |
| R5, R14, R15, R18, R19  | 10k Ohm Resistor, 0402 Pkg.                       |
| R6  | 56 Ohm Resistor, 0402 Pkg.                        |
| R9  | 10 Ohm Resistor, 0402 Pkg.                        |
| R10, R22, R23   | Zero Ohm Resistor, 0402 Pkg.                      |
| R11, R16, R40   | 4.02k Ohm Resistor, 0402 Pkg.                     |
| R13   | 182 Ohm Resistor, 0402 Pkg.                       |
| R21   | 30 Ohm Resistor, 0402 Pkg.                        |
| TP1 - TP6   | Test Point PC Compact SMT                         |
| U1  | HMC783LP6CE Fractional-N PLL, with Integrated VCO |
| U2, U4, U6  | Low Noise 3.3V, 100 mA Linear Regulator           |
| U5  | Low Noise Op-Amp, THS4031IDGN                     |
| U8, U9  | 5V, 800mA Voltage Regulator                       |
| Y2  | 3.3V, 50 MHz VCXO Crystal Oscillator              |
| PCB [2]   | 125536 Evaluation Board                           |

[1] Reference this number when ordering complete evaluation PCB

[2] Circuit Board Material: Rogers 4350 or Arlon 25FR and FR4