



ON Semiconductor®

ON Semiconductor
DATA SHEET**EFC4615R** — N-Channel Silicon MOSFET
General-Purpose Switching Device
Applications**Features**

- 2.5V drive
- Best suited for LiB charging and discharging switch
- Common-drain type

Specifications

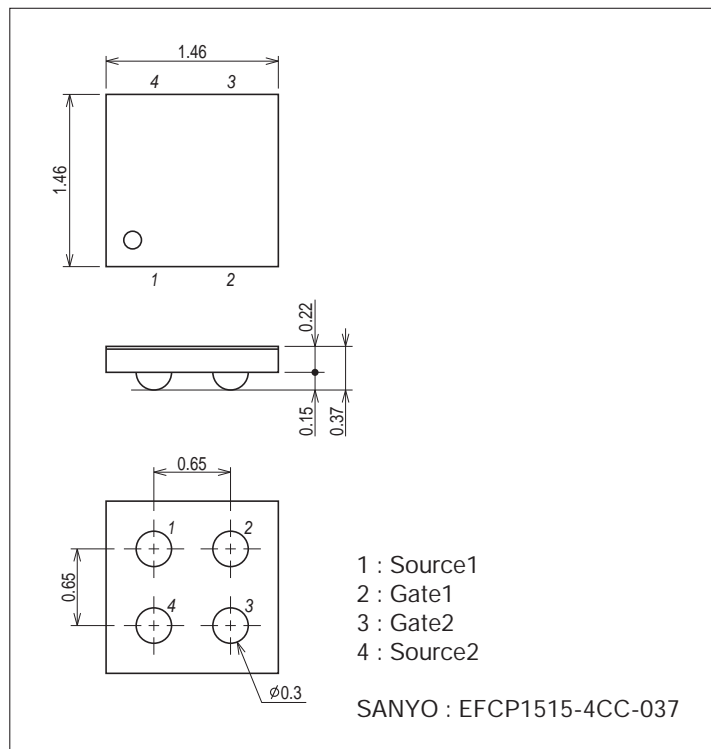
Absolute Maximum Ratings at Ta=25°C

Parameter	Symbol	Conditions	Ratings	Unit
Source-to-Source Voltage	V _{SSS}		24	V
Gate-to-Source Voltage	V _{GSS}		±12	V
Source Current (DC)	I _S		6	A
Source Current (Pulse)	I _{SP}	PW≤10μs, duty cycle≤1%	60	A
Total Dissipation	P _T	When mounted on ceramic substrate (5000mm ² ×0.8mm)	1.6	W
Channel Temperature	T _{ch}		150	°C
Storage Temperature	T _{stg}		-55 to +150	°C

Package Dimensions

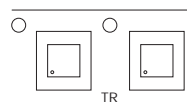
unit : mm (typ)

7067-001

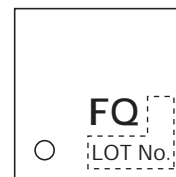
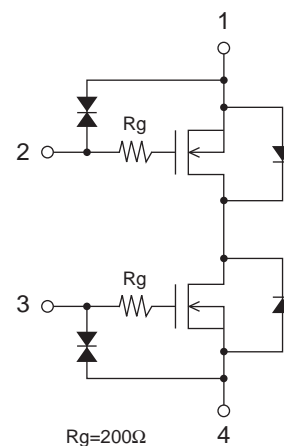
**Product & Package Information**

- Package : EFCP
- JEITA, JEDEC : -
- Minimum Packing Quantity : 5,000 pcs./reel

Taping Type : TR



Marking

**Electrical Connection**

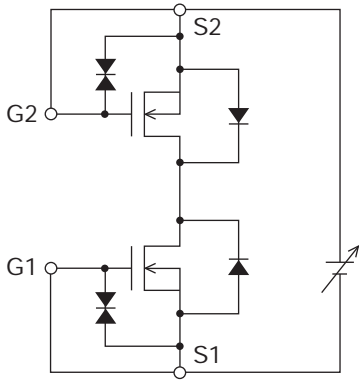
EFC4615R

Electrical Characteristics at Ta=25°C

Parameter	Symbol	Conditions	Ratings			Unit	
			min	typ	max		
Source-to-Source Breakdown Voltage	V(BR)SSS	IS=1mA, VGS=0V	Test Circuit 1	24		V	
Zero-Gate Voltage Source Current	ISSS	VSS=20V, VGS=0V	Test Circuit 1		1	μA	
Gate-to-Source Leakage Current	IGSS	VGS=±8V, VSS=0V	Test Circuit 2		±10	μA	
Cutoff Voltage	VGS(off)	VSS=10V, IS=1mA	Test Circuit 3	0.5	1.3	V	
Forward Transfer Admittance	yfs	VSS=10V, IS=3A	Test Circuit 4		5.4	S	
Static Source-to-Source On-State Resistance	RSS(on)1	IS=3A, VGS=4.5V	Test Circuit 5	19	27	31	mΩ
	RSS(on)2	IS=3A, VGS=4.0V	Test Circuit 5	21	28	33	mΩ
	RSS(on)3	IS=3A, VGS=3.1V	Test Circuit 5	24	33	44	mΩ
	RSS(on)4	IS=3A, VGS=2.5V	Test Circuit 5	28	39	52	mΩ
Turn-ON Delay Time	t _{d(on)}	See specified Test Circuit.	Test Circuit 7		13	ns	
Rise Time	t _r	See specified Test Circuit.	Test Circuit 7		235	ns	
Turn-OFF Delay Time	t _{d(off)}	See specified Test Circuit.	Test Circuit 7		335	ns	
Fall Time	t _f	See specified Test Circuit.	Test Circuit 7		360	ns	
Total Gate Charge	Qg	VSS=10V, VGS=4.5V, IS=6A			8.8	nC	
Forward Source-to-Source Voltage	V _{F(S-S)}	IS=6A, VGS=0V	Test Circuit 6		1	1.2	V

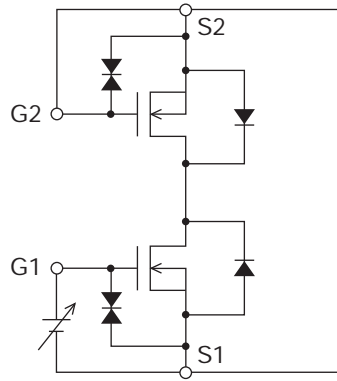
Test circuits are example of measuring FET1 side

Test Circuit 1
VSSS / ISSS



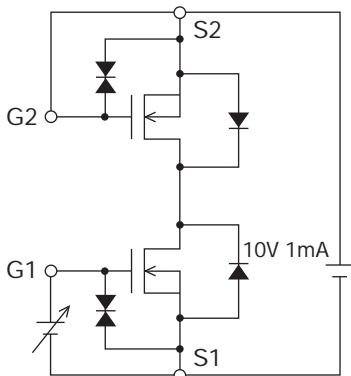
IT11565

Test Circuit 2
IGSS(+)/(-)



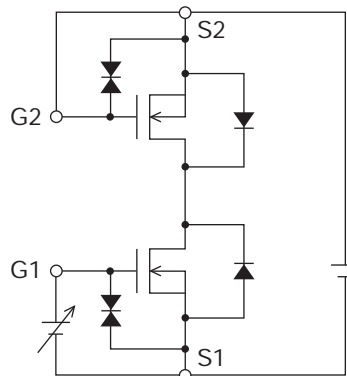
IT11566

Test Circuit 3
VGS(off)



IT11567

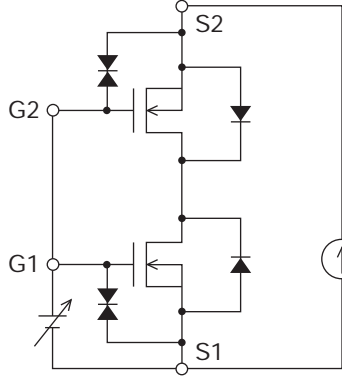
Test Circuit 4
|yfs|



IT11568

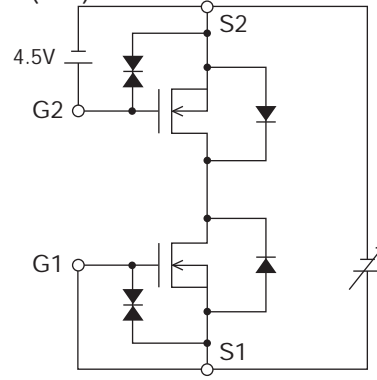
* Note: Connect the measurement terminal reversely if you want to measure the FET2 side.

Test Circuit 5
RSS(on)



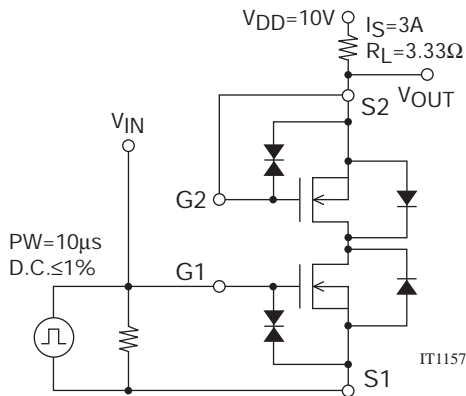
IT11569

Test Circuit 6
VF(S-S)



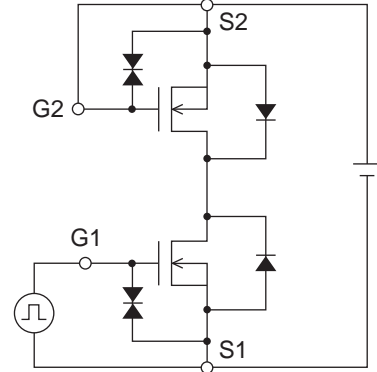
IT11570

Test Circuit 7
td(on), tr, td(off), tf



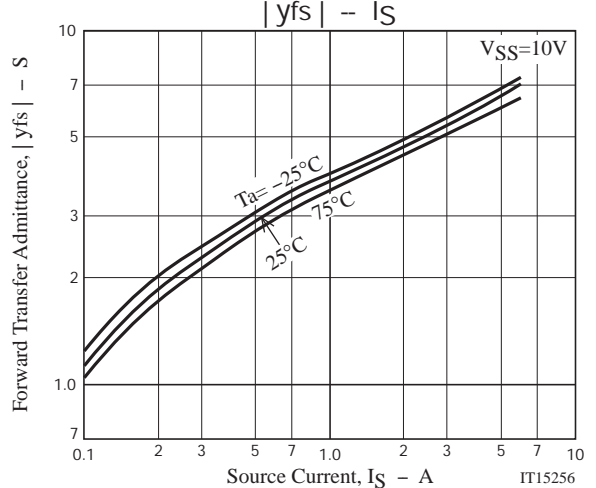
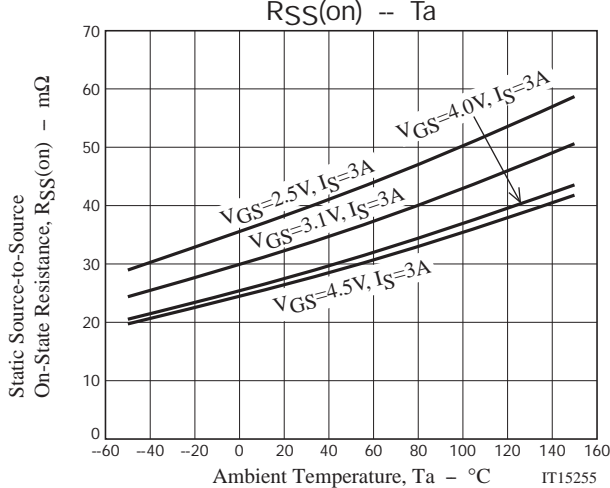
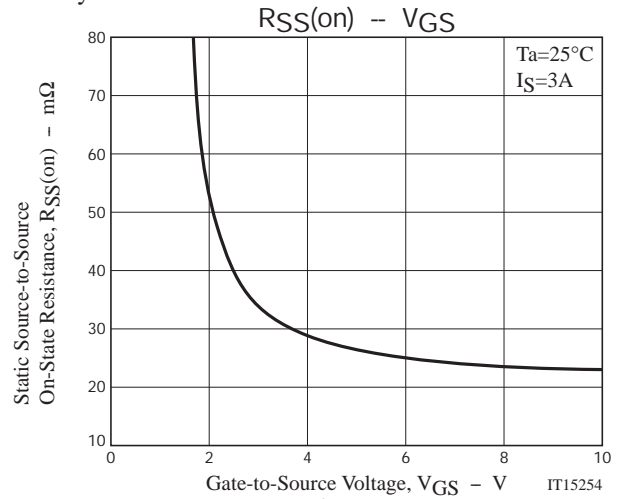
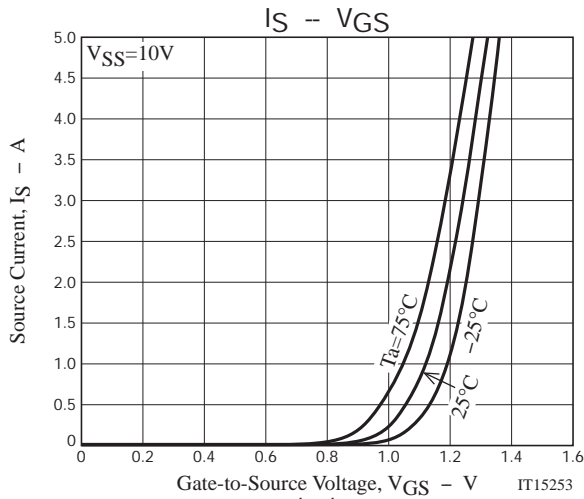
IT11571

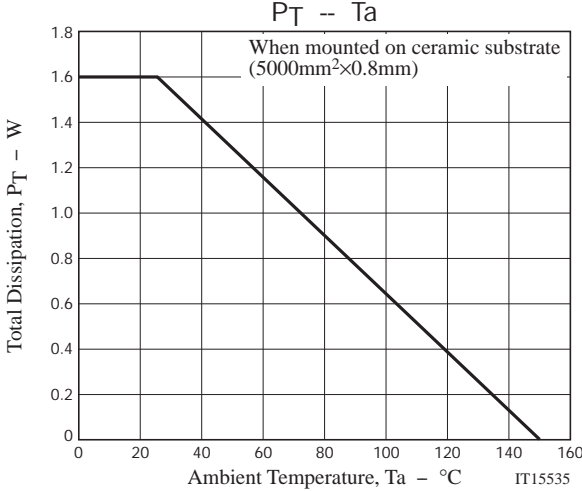
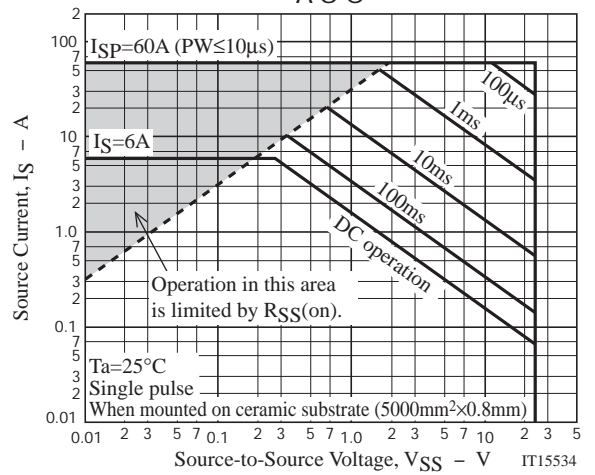
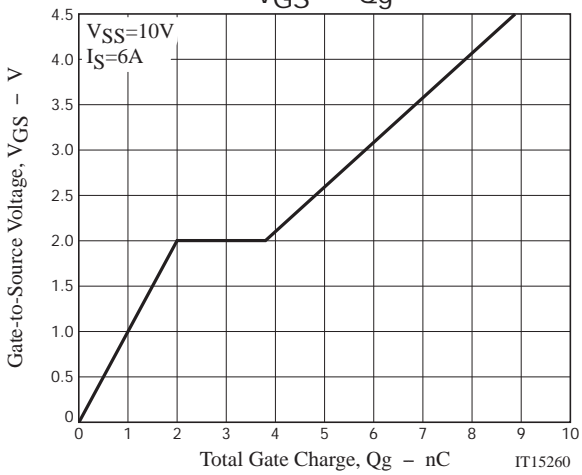
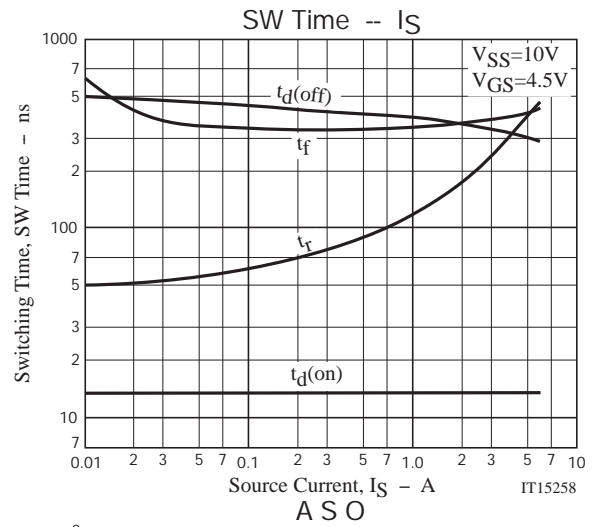
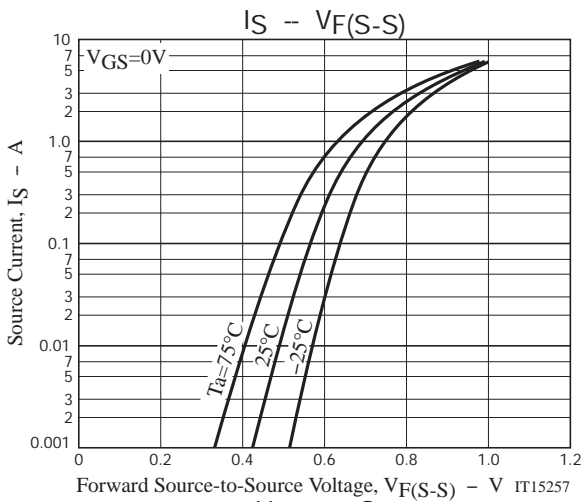
Test Circuit 8
Qg



IT15409

* Note: Connect the measurement terminal reversely if you want to measure the FET2 side.





ON Semiconductor and the ON logo are registered trademarks of Semiconductor Components Industries, LLC (SCILLC). SCILLC reserves the right to make changes without further notice to any products herein. SCILLC makes no warranty, representation or guarantee regarding the suitability of its products for any particular purpose, nor does SCILLC assume any liability arising out of the application or use of any product or circuit, and specifically disclaims any and all liability, including without limitation special, consequential or incidental damages. SCILLC strives to supply high-quality high-reliability products and recommends adopting safety measures when designing equipment to avoid accidents or malfunctions. Such measures include but are not limited to protective circuits and error prevention circuits for safe design, redundant design, and structural design. "Typical" parameters which may be provided in SCILLC data sheets and/or specifications can and do vary in different applications and actual performance may vary over time. All operating parameters, including "Typicals," must be validated for each customer application by customer's technical experts. SCILLC shall not be held liable for any claim or suits with regard to a third party's intellectual property rights which has resulted from the use of the technical information and products mentioned above. SCILLC does not convey any license under its patent rights nor the rights of others. SCILLC products are not designed, intended, or authorized for use as components in systems intended for surgical implant into the body, or other applications intended to support or sustain life, or for any other application in which the failure of the SCILLC product could create a situation where personal injury or death may occur. Should Buyer purchase or use SCILLC products for any such unintended or unauthorized application, Buyer shall indemnify and hold SCILLC and its officers, employees, subsidiaries, affiliates, and distributors harmless against all claims, costs, damages, and expenses, and reasonable attorney fees arising out of, directly or indirectly, any claim of personal injury or death associated with such unintended or unauthorized use, even if such claim alleges that SCILLC was negligent regarding the design or manufacture of the part. SCILLC is an Equal Opportunity/Affirmative Action Employer. This literature is subject to all applicable copyright laws and is not for resale in any manner.

PUBLICATION ORDERING INFORMATION

LITERATURE FULFILLMENT:
 Literature Distribution Center for ON Semiconductor
 P.O. Box 5163, Denver, Colorado 80217 USA
 Phone: 303-675-2175 or 800-344-3860 Toll Free USA/Canada
 Fax: 303-675-2176 or 800-344-3867 Toll Free USA/Canada
 Email: orderlit@onsemi.com

N. American Technical Support: 800-282-9855 Toll Free
 USA/Canada.
Europe, Middle East and Africa Technical Support:
 Phone: 421 33 790 2910
Japan Customer Focus Center
 Phone: 81-3-5773-3850

ON Semiconductor Website: www.onsemi.com
Order Literature: <http://www.onsemi.com/orderlit>
 For additional information, please contact your local
 Sales Representative