

DS91D176/DS91C176

100 MHz Single Channel M-LVDS Transceivers

General Description

The DS91C176 and DS91D176 are 100 MHz single channel M-LVDS (Multipoint Low Voltage Differential Signaling) transceivers designed for applications that utilize multipoint networks (e.g. clock distribution in ATCA and uTCA based systems). M-LVDS is a new bus interface standard (TIA/EIA-899) optimized for multidrop networks. Controlled edge rates, tight input receiver thresholds and increased drive strength are some of the key enhancements that make M-LVDS devices an ideal choice for distributing signals via multipoint networks.

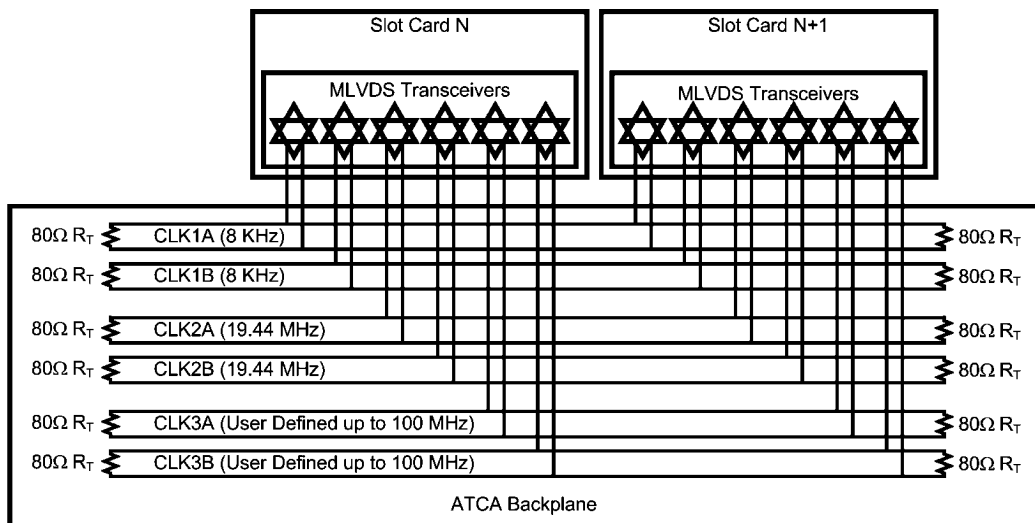
The DS91C176/DS91D176 are half-duplex transceivers that accept LVTTTL/LVCMOS signals at the driver inputs and convert them to differential M-LVDS signals. The receiver inputs accept low voltage differential signals (LVDS, B-LVDS, M-LVDS, LV-PECL and CML) and convert them to 3V LVCMOS

signals. The DS91D176 has a M-LVDS type 1 receiver input with no offset. The DS91C176 has an M-LVDS type 2 receiver which enable failsafe functionality.

Features

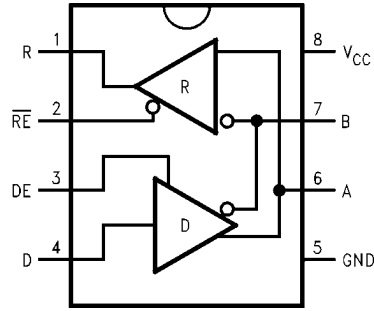
- DC to 100+ MHz / 200+ Mbps low power, low EMI operation
- Optimal for ATCA, uTCA clock distribution networks
- Meets or exceeds TIA/EIA-899 M-LVDS Standard
- Wide Input Common Mode Voltage for Increased Noise Immunity
- DS91D176 has type 1 receiver input
- DS91C176 has type 2 receiver with fail-safe
- Industrial temperature range
- Space saving SOIC-8 package

Typical Application in an ATCA Clock Distribution Network



20024630

Connection and Logic Diagram



20024601

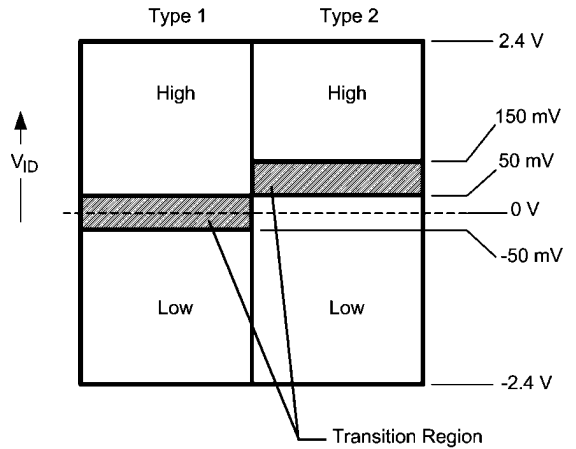
Top View
Order Number DS91D176TMA, DS91C176TMA
See NS Package Number M08A

Ordering Information

Order Number	Receiver Input	Function	Package Type
DS91D176TMA	type 1	Data (0V threshold receiver)	SOIC/M08A
DS91C176TMA	type 2	Control (100 mV offset fail-safe receiver)	SOIC/M08A

M-LVDS Receiver Types

The EIA/TIA-899 M-LVDS standard specifies two different types of receiver input stages. A type 1 receiver has a conventional threshold that is centered at the midpoint of the input amplitude, $V_{ID}/2$. A type 2 receiver has a built in offset that is 100mV greater than $V_{ID}/2$. The type 2 receiver offset acts as a failsafe circuit where open or short circuits at the input will always result in the output stage being driven to a low logic state.



20024640

FIGURE 1. M-LVDS Receiver Input Thresholds

Absolute Maximum Ratings (Note 1)

If Military/Aerospace specified devices are required, please contact the National Semiconductor Sales Office/Distributors for availability and specifications.

Supply Voltage, V_{CC}	-0.3V to +4V
Control Input Voltages	-0.3V to ($V_{CC} + 0.3V$)
Driver Input Voltage	-0.3V to ($V_{CC} + 0.3V$)
Driver Output Voltages	-1.8V to +4.1V
Receiver Input Voltages	-1.8V to +4.1V
Receiver Output Voltage	-0.3V to ($V_{CC} + 0.3V$)
Maximum Package Power Dissipation at +25°C	
SOIC Package	833 mW
Derate SOIC Package	6.67 mW/°C above +25°C
Thermal Resistance	
θ_{JA}	150°C/W
θ_{JC}	63°C/W
Maximum Junction Temperature	150°C
Storage Temperature Range	-65°C to +150°C
Lead Temperature (Soldering, 4 seconds)	260°C

ESD Ratings:

(HBM 1.5k Ω , 100pF) ≥ 8 kV(EIAJ 0 Ω , 200pF) ≥ 250 V(CDM 0 Ω , 0pF) ≥ 1000 V**Recommended Operating Conditions**

	Min	Typ	Max	Units
Supply Voltage, V_{CC}	3.0	3.3	3.6	V
Voltage at Any Bus Terminal (Separate or Common-Mode)	-1.4		+3.8	V
Differential Input Voltage V_{ID}			2.4	V
LVTTL Input Voltage High V_{IH}	2.0		V_{CC}	V
LVTTL Input Voltage Low V_{IL}	0		0.8	V
Operating Free Air Temperature T_A	-40	+25	+85	°C

Electrical Characteristics

Over recommended operating supply and temperature ranges unless otherwise specified. (Notes 2, 3, 4, 8)

Symbol	Parameter	Conditions	Min	Typ	Max	Units	
M-LVDS Driver							
$ V_{AB} $	Differential output voltage magnitude	$R_L = 50\Omega$, $C_L = 5pF$	480		650	mV	
ΔV_{AB}	Change in differential output voltage magnitude between logic states	Figure 2 and Figure 4	-50	0	+50	mV	
$V_{OS(SS)}$	Steady-state common-mode output voltage	$R_L = 50\Omega$, $C_L = 5pF$	0.3	1.8	2.1	V	
$ \Delta V_{OS(SS)} $	Change in steady-state common-mode output voltage between logic states	Figure 2 and Figure 3	0		+50	mV	
$V_{OS(PP)}$	Peak-to-peak common-mode output voltage	($V_{OS(PP)}$ @ 500KHz clock)		135		mV	
$V_{A(OC)}$	Maximum steady-state open-circuit output voltage	Figure 5	0		2.4	V	
$V_{B(OC)}$	Maximum steady-state open-circuit output voltage		0		2.4	V	
$V_{P(H)}$	Voltage overshoot, low-to-high level output	$R_L = 50\Omega$, $C_L = 5pF$, $C_D = 0.5pF$			$1.2V_{SS}$	V	
$V_{P(L)}$	Voltage overshoot, high-to-low level output	Figure 7 and Figure 8 (Note 9)	-0.2 V_S			V	
I_{IH}	High-level input current (LVTTL inputs)	$V_{IH} = 2.0V$	-15		15	μA	
I_{IL}	Low-level input current (LVTTL inputs)	$V_{IL} = 0.8V$	-15		15	μA	
V_{IKL}	Input Clamp Voltage (LVTTL inputs)	$I_{IN} = -18mA$	-1.5			V	
I_{OS}	Differential short-circuit output current	Figure 6	-43		43	mA	
M-LVDS Receiver							
V_{IT+}	Positive-going differential input voltage threshold	See Function Tables	Type 1		20	50	mV
			Type 2		94	150	mV
V_{IT-}	Negative-going differential input voltage threshold	See Function Tables	Type 1	-50	20		mV
			Type 2	50	94		mV
V_{OH}	High-level output voltage (LVTTL output)	$I_{OH} = -8mA$	2.4	2.7		V	
V_{OL}	Low-level output voltage (LVTTL output)	$I_{OL} = 8mA$		0.28	0.4	V	
I_{OZ}	TRI-STATE output current	$V_O = 0V$ or 3.6V	-10		10	μA	
I_{OSR}	Short-circuit receiver output current (LVTTL output)	$V_O = 0V$		-48	-90	mA	

Symbol	Parameter	Conditions	Min	Typ	Max	Units
M-LVDS Bus (Input and Output) Pins						
I_A	Transceiver input/output current	$V_A = 3.8V, V_B = 1.2V$			32	μA
		$V_A = 0V \text{ or } 2.4V, V_B = 1.2V$	-20		+20	μA
		$V_A = -1.4V, V_B = 1.2V$	-32			μA
I_B	Transceiver input/output current	$V_B = 3.8V, V_A = 1.2V$			32	μA
		$V_B = 0V \text{ or } 2.4V, V_A = 1.2V$	-20		+20	μA
		$V_B = -1.4V, V_A = 1.2V$	-32			μA
I_{AB}	Transceiver input/output differential current ($I_A - I_B$)	$V_A = V_B, -1.4V \leq V \leq 3.8V$	-4		+4	μA
$I_{A(OFF)}$	Transceiver input/output power-off current	$V_A = 3.8V, V_B = 1.2V,$ $DE = V_{CC} = 1.5V$			32	μA
		$V_A = 0V \text{ or } 2.4V, V_B = 1.2V,$ $DE = V_{CC} = 1.5V$	-20		+20	μA
		$V_A = -1.4V, V_B = 1.2V,$ $DE = V_{CC} = 1.5V$	-32			μA
$I_{B(OFF)}$	Transceiver input/output power-off current	$V_B = 3.8V, V_A = 1.2V,$ $DE = V_{CC} = 1.5V$			32	μA
		$V_B = 0V \text{ or } 2.4V, V_A = 1.2V,$ $DE = V_{CC} = 1.5V$	-20		+20	μA
		$V_B = -1.4V, V_A = 1.2V,$ $DE = V_{CC} = 1.5V$	-32			μA
$I_{AB(OFF)}$	Transceiver input/output power-off differential current ($I_{A(OFF)} - I_{B(OFF)}$)	$V_A = V_B, -1.4V \leq V \leq 3.8V,$ $V_{CC} = 1.5V, DE = 1.5V$	-4		+4	μA
C_A	Transceiver input/output capacitance	$V_{CC} = \text{OPEN}$		9		pF
C_B	Transceiver input/output capacitance			9		pF
C_{AB}	Transceiver input/output differential capacitance			5.7		pF
$C_{A/B}$	Transceiver input/output capacitance balance (C_A/C_B)			1.0		
SUPPLY CURRENT (V_{CC})						
I_{CCD}	Driver Supply Current	$R_L = 50\Omega, DE = V_{CC}, \overline{RE} = V_{CC}$		20	29.5	mA
I_{CCZ}	TRI-STATE Supply Current	$DE = \text{GND}, \overline{RE} = V_{CC}$		6	9.0	mA
I_{CCR}	Receiver Supply Current	$DE = \text{GND}, \overline{RE} = \text{GND}$		14	18.5	mA

Switching Characteristics

Over recommended operating supply and temperature ranges unless otherwise specified. (Notes 3, 8)

Symbol	Parameter	Conditions	Min	Typ	Max	Units
DRIVER AC SPECIFICATION						
t_{PLH}	Differential Propagation Delay Low to High	$R_L = 50\Omega, C_L = 5\text{ pF},$ $C_D = 0.5\text{ pF}$ <i>Figure 7 and Figure 8</i>	1.3	3.4	5.0	ns
t_{PHL}	Differential Propagation Delay High to Low		1.3	3.1	5.0	ns
$t_{SKD1} (t_{sk(p)})$	Pulse Skew $ t_{PLHD} - t_{PHLD} $ (Notes 5, 9)			300	420	ps
t_{SKD3}	Part-to-Part Skew (Notes 6, 9)				1.3	ns
$t_{TLH} (t_r)$	Rise Time (Note 9)		1.0	1.8	3.0	ns
$t_{THL} (t_f)$	Fall Time (Note 9)		1.0	1.8	3.0	ns
t_{PZH}	Enable Time (Z to Active High)	$R_L = 50\Omega, C_L = 5\text{ pF},$ $C_D = 0.5\text{ pF}$ <i>Figure 9 and Figure 10</i>			8	ns
t_{PZL}	Enable Time (Z to Active Low)				8	ns
t_{PLZ}	Disable Time (Active Low to Z)				8	ns
t_{PHZ}	Disable Time (Active High to Z)				8	ns
t_{JIT}	Random Jitter, RJ (Note 9)		100 MHz Clock Pattern (Note 7)		2.5	5.5
f_{MAX}	Maximum Data Rate		200			Mbps
RECEIVER AC SPECIFICATION						
t_{PLH}	Propagation Delay Low to High	$C_L = 15\text{ pF}$ <i>Figures 11, 12 and Figure 13</i>	2.0	4.7	7.5	ns
t_{PHL}	Propagation Delay High to Low		2.0	5.3	7.5	ns
$t_{SKD1} (t_{sk(p)})$	Pulse Skew $ t_{PLHD} - t_{PHLD} $ (Notes 5, 9)			0.6	1.7	ns
t_{SKD3}	Part-to-Part Skew (Notes 6, 9)				1.3	ns
$t_{TLH} (t_r)$	Rise Time (Note 9)		0.5	1.2	2.5	ns
$t_{THL} (t_f)$	Fall Time (Note 9)		0.5	1.2	2.5	ns
t_{PZH}	Enable Time (Z to Active High)	$R_L = 500\Omega, C_L = 15\text{ pF}$ <i>Figure 14 and Figure 15</i>			10	ns
t_{PZL}	Enable Time (Z to Active Low)				10	ns
t_{PLZ}	Disable Time (Active Low to Z)				10	ns
t_{PHZ}	Disable Time (Active High to Z)				10	ns
f_{MAX}	Maximum Data Rate			200		

Note 1: "Absolute Maximum Ratings" are those beyond which the safety of the device cannot be guaranteed. They are not meant to imply that the device should be operated at these limits. The tables of "Electrical Characteristics" provide conditions for actual device operation.

Note 2: All currents into device pins are positive; all currents out of device pins are negative. All voltages are referenced to device ground unless otherwise specified.

Note 3: All typicals are given for $V_{CC} = 3.3V$ and $T_A = 25^\circ C$.

Note 4: The algebraic convention, in which the least positive (most negative) limit is designated as minimum, is used in this datasheet.

Note 5: $t_{SKD1}, |t_{PLHD} - t_{PHLD}|$, is the magnitude difference in differential propagation delay time between the positive going edge and the negative going edge of the same channel.

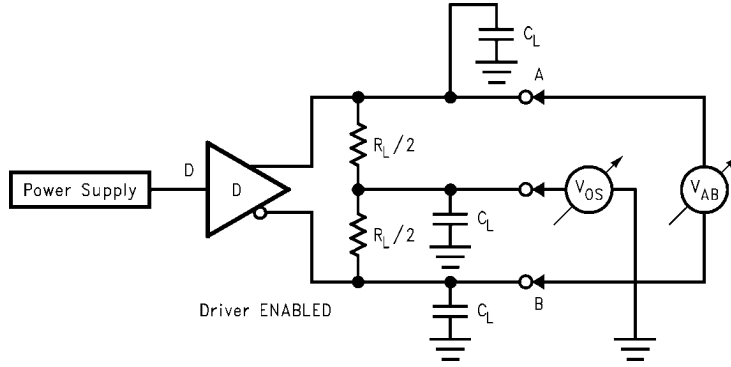
Note 6: t_{SKD3} , Part-to-Part Skew, is defined as the difference between the minimum and maximum specified differential propagation delays. This specification applies to devices at the same V_{CC} and within $5^\circ C$ of each other within the operating temperature range.

Note 7: Stimulus and fixture Jitter has been subtracted.

Note 8: C_L includes fixture capacitance and C_D includes probe capacitance.

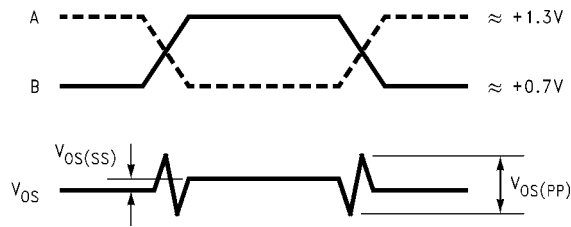
Note 9: Not production tested. Guaranteed by a statistical analysis on a sample basis at the time of characterization.

Test Circuits and Waveforms



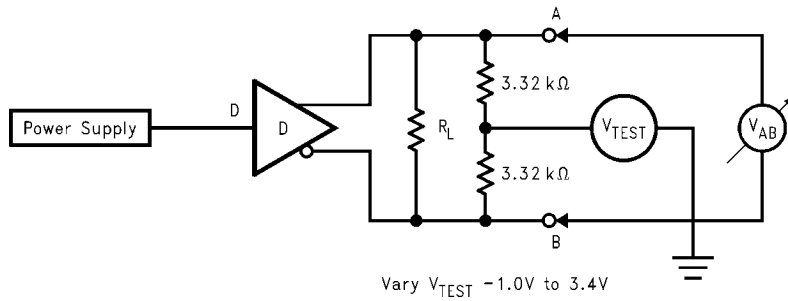
20024614

FIGURE 2. Differential Driver Test Circuit



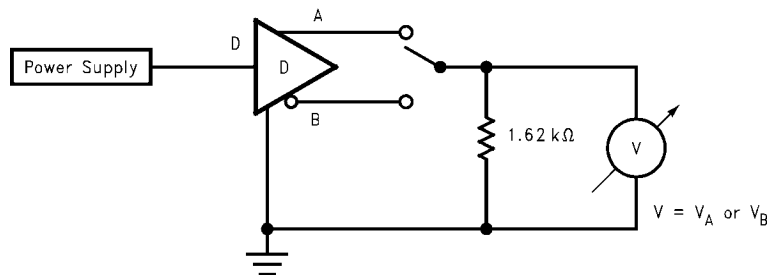
20024624

FIGURE 3. Differential Driver Waveforms



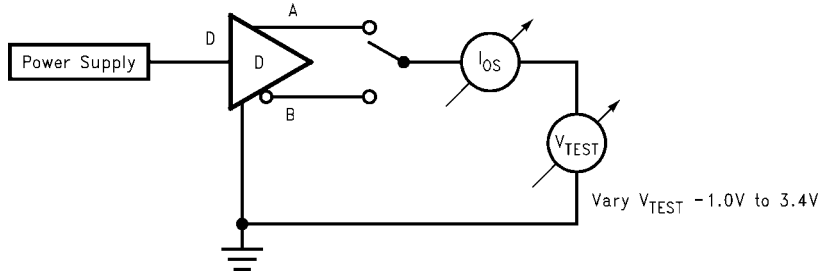
20024622

FIGURE 4. Differential Driver Full Load Test Circuit



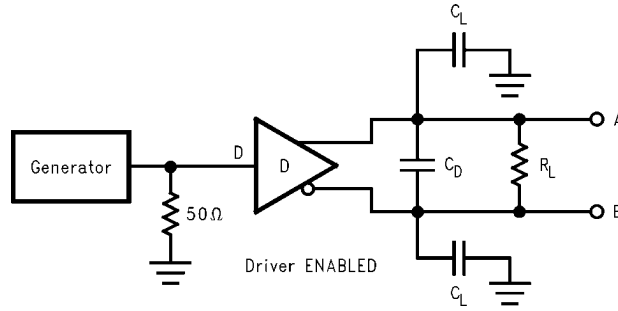
20024612

FIGURE 5. Differential Driver DC Open Test Circuit



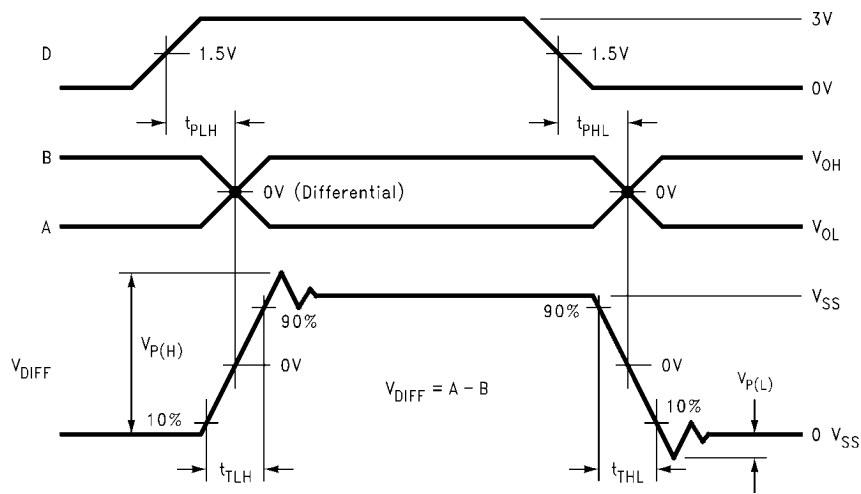
20024625

FIGURE 6. Differential Driver Short-Circuit Test Circuit



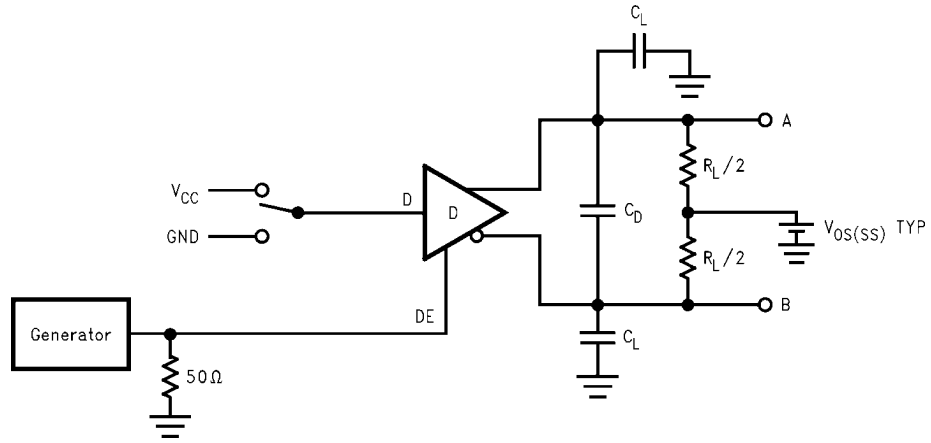
20024616

FIGURE 7. Driver Propagation Delay and Transition Time Test Circuit



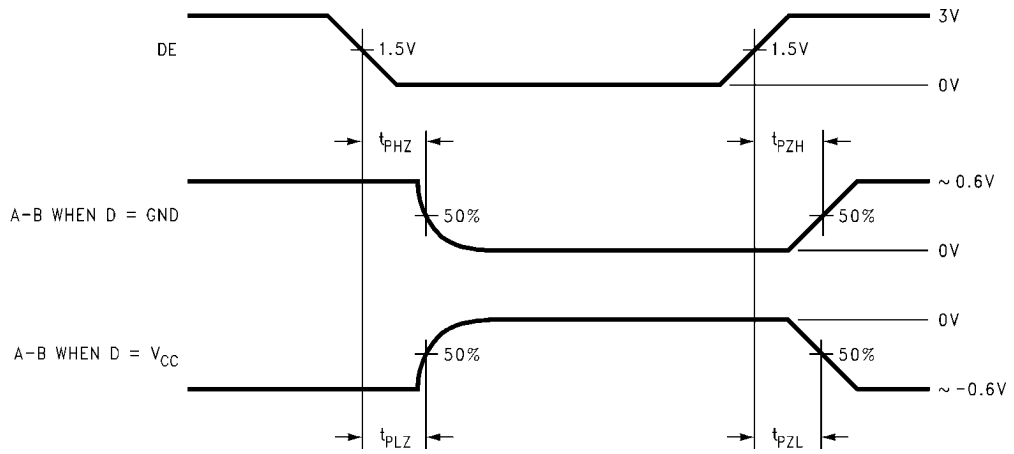
20024618

FIGURE 8. Driver Propagation Delays and Transition Time Waveforms



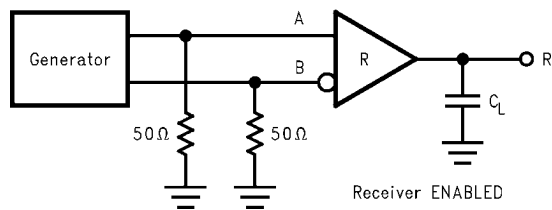
20024619

FIGURE 9. Driver TRI-STATE Delay Test Circuit



20024621

FIGURE 10. Driver TRI-STATE Delay Waveforms



20024615

FIGURE 11. Receiver Propagation Delay and Transition Time Test Circuit

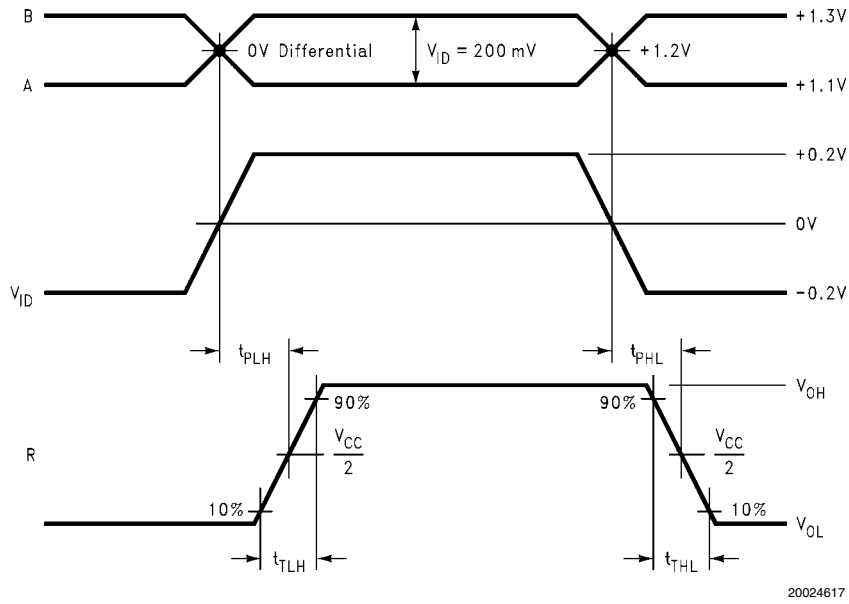


FIGURE 12. Type 1 Receiver Propagation Delay and Transition Time Waveforms

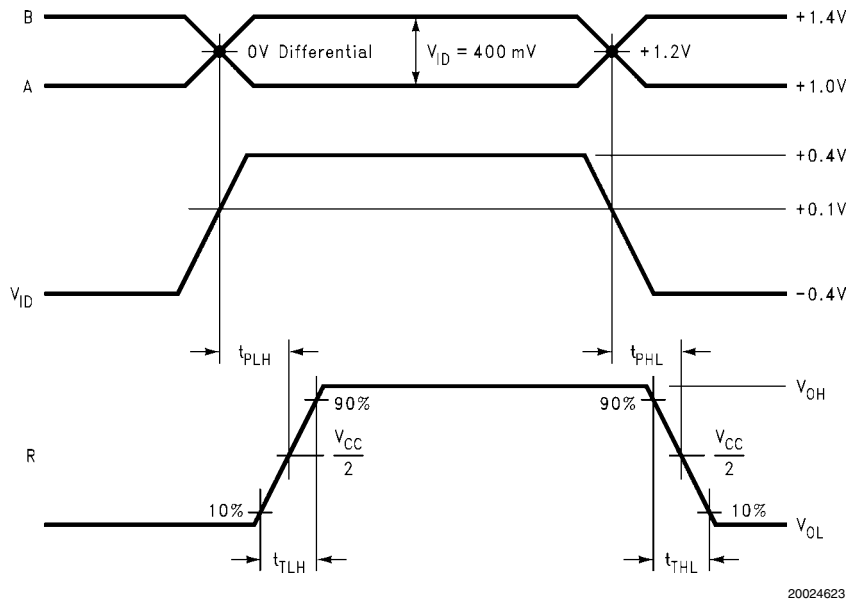


FIGURE 13. Type 2 Receiver Propagation Delay and Transition Time Waveforms

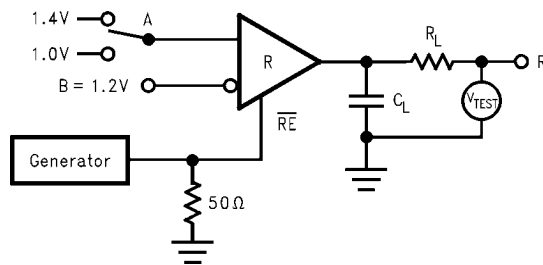


FIGURE 14. Receiver TRI-STATE Delay Test Circuit

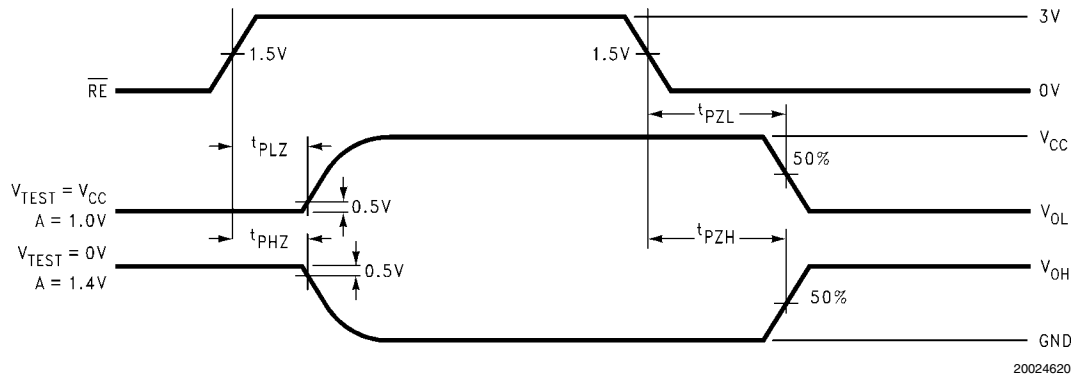


FIGURE 15. Receiver TRI-STATE Delay Waveforms

Function Tables

DS91D176/DS91C176 Transmitting

Inputs			Outputs	
RE	DE	D	B	A
X	2.0V	2.0V	L	H
X	2.0V	0.8V	H	L
X	0.8V	X	Z	Z

X — Don't care condition
Z — High impedance state

DS91D176 Receiving

Inputs			Output
RE	DE	A - B	R
0.8V	0.8V	$\geq +0.05V$	H
0.8V	0.8V	$\leq -0.05V$	L
0.8V	0.8V	0V	X
2.0V	0.8V	X	Z

X — Don't care condition
Z — High impedance state

DS91C176 Receiving

Inputs			Output
RE	DE	A - B	R
0.8V	0.8V	$\geq +0.15V$	H
0.8V	0.8V	$\leq +0.05V$	L
0.8V	0.8V	0V	L
2.0V	0.8V	X	Z

X — Don't care condition
Z — High impedance state

DS91D176 Receiver Input Threshold Test Voltages

Applied Voltages		Resulting Differential Input Voltage	Resulting Common-Mode Input Voltage	Receiver Output
V _{IA}	V _{IB}	V _{ID}	V _{IC}	R
2.400V	0.000V	2.400V	1.200V	H
0.000V	2.400V	-2.400V	1.200V	L
3.800V	3.750V	0.050V	3.775V	H
3.750V	3.800V	-0.050V	3.775V	L
-1.400V	-1.350V	-0.050V	-1.375V	H
-1.350V	-1.400V	0.050V	-1.375V	L

H — High Level
L — Low Level
Output state assumes that the receiver is enabled ($\overline{RE} = L$)

DS91C176 Receiver Input Threshold Test Voltages

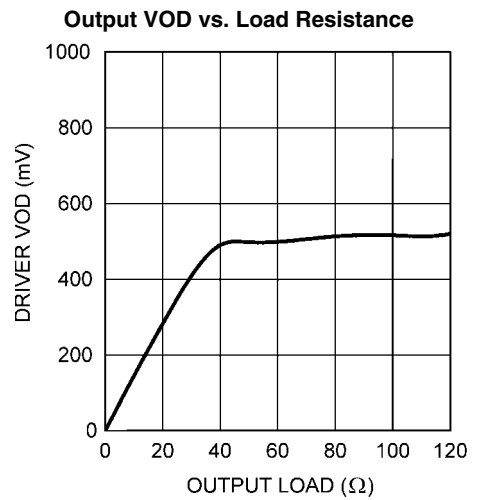
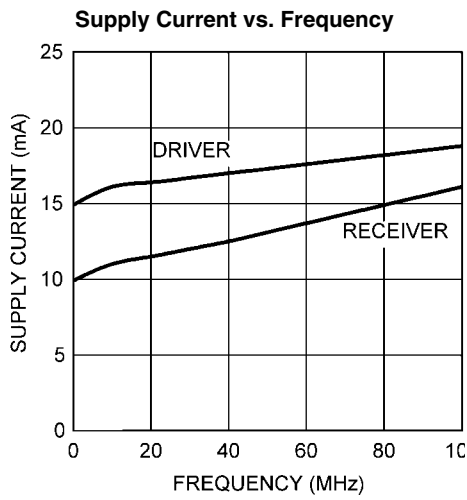
Applied Voltages		Resulting Differential Input Voltage	Resulting Common-Mode Input Voltage	Receiver Output
V _{IA}	V _{IB}	V _{ID}	V _{IC}	R
2.400V	0.000V	2.400V	1.200V	H
0.000V	2.400V	-2.400V	1.200V	L
3.800V	3.650V	0.150V	3.725V	H
3.800V	3.750V	0.050V	3.775V	L
-1.250V	-1.400V	0.150V	-1.325V	H
-1.350V	-1.400V	0.050V	-1.375V	L

H — High Level
L — Low Level
Output state assumes that the receiver is enabled ($\overline{RE} = L$)

Pin Descriptions

Pin No.	Name	Description
1	R	Receiver output pin
2	\overline{RE}	Receiver enable pin: When \overline{RE} is high, the receiver is disabled. When \overline{RE} is low or open, the receiver is enabled.
3	DE	Driver enable pin: When DE is low, the driver is disabled. When DE is high, the driver is enabled.
4	D	Driver input pin
5	GND	Ground pin
6	A	Non-inverting driver output pin/Non-inverting receiver input pin
7	B	Inverting driver output pin/Inverting receiver input pin
8	V_{CC}	Power supply pin, $+3.3V \pm 0.3V$

Typical Performance



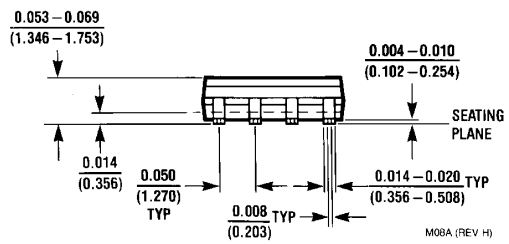
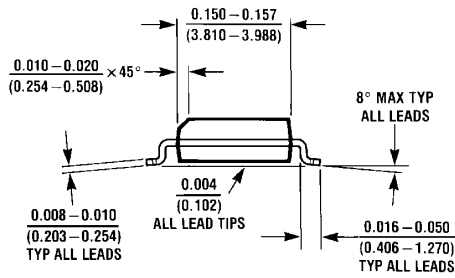
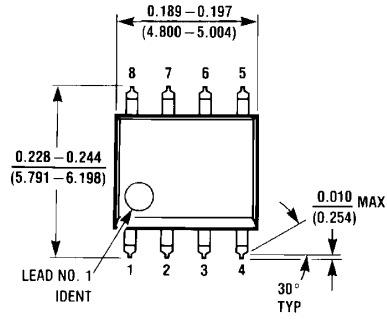
20024662

20024663

Supply Current measured using a clock pattern with driver terminated to 50ohms. $V_{CC} = 3.3V$, $T_A = +25^\circ C$
 $V_{CC} = 3.3V$, $T_A = +25^\circ C$.

FIGURE 16. DS91D176/DS91C176 Typical Performance Characteristics

Physical Dimensions inches (millimeters) unless otherwise noted



Order Number DS91D176TMA, DS91C176TMA
See NS package Number M08A

M08A (REV H)

Notes

For more National Semiconductor product information and proven design tools, visit the following Web sites at:

Products		Design Support	
Amplifiers	www.national.com/amplifiers	WEBENCH	www.national.com/webench
Audio	www.national.com/audio	Analog University	www.national.com/AU
Clock Conditioners	www.national.com/timing	App Notes	www.national.com/appnotes
Data Converters	www.national.com/adc	Distributors	www.national.com/contacts
Displays	www.national.com/displays	Green Compliance	www.national.com/quality/green
Ethernet	www.national.com/ethernet	Packaging	www.national.com/packaging
Interface	www.national.com/interface	Quality and Reliability	www.national.com/quality
LVDS	www.national.com/lvds	Reference Designs	www.national.com/refdesigns
Power Management	www.national.com/power	Feedback	www.national.com/feedback
Switching Regulators	www.national.com/switchers		
LDOs	www.national.com/ldo		
LED Lighting	www.national.com/led		
PowerWise	www.national.com/powerwise		
Serial Digital Interface (SDI)	www.national.com/sdi		
Temperature Sensors	www.national.com/tempsensors		
Wireless (PLL/VCO)	www.national.com/wireless		

THE CONTENTS OF THIS DOCUMENT ARE PROVIDED IN CONNECTION WITH NATIONAL SEMICONDUCTOR CORPORATION ("NATIONAL") PRODUCTS. NATIONAL MAKES NO REPRESENTATIONS OR WARRANTIES WITH RESPECT TO THE ACCURACY OR COMPLETENESS OF THE CONTENTS OF THIS PUBLICATION AND RESERVES THE RIGHT TO MAKE CHANGES TO SPECIFICATIONS AND PRODUCT DESCRIPTIONS AT ANY TIME WITHOUT NOTICE. NO LICENSE, WHETHER EXPRESS, IMPLIED, ARISING BY ESTOPPEL OR OTHERWISE, TO ANY INTELLECTUAL PROPERTY RIGHTS IS GRANTED BY THIS DOCUMENT.

TESTING AND OTHER QUALITY CONTROLS ARE USED TO THE EXTENT NATIONAL DEEMS NECESSARY TO SUPPORT NATIONAL'S PRODUCT WARRANTY. EXCEPT WHERE MANDATED BY GOVERNMENT REQUIREMENTS, TESTING OF ALL PARAMETERS OF EACH PRODUCT IS NOT NECESSARILY PERFORMED. NATIONAL ASSUMES NO LIABILITY FOR APPLICATIONS ASSISTANCE OR BUYER PRODUCT DESIGN. BUYERS ARE RESPONSIBLE FOR THEIR PRODUCTS AND APPLICATIONS USING NATIONAL COMPONENTS. PRIOR TO USING OR DISTRIBUTING ANY PRODUCTS THAT INCLUDE NATIONAL COMPONENTS, BUYERS SHOULD PROVIDE ADEQUATE DESIGN, TESTING AND OPERATING SAFEGUARDS.

EXCEPT AS PROVIDED IN NATIONAL'S TERMS AND CONDITIONS OF SALE FOR SUCH PRODUCTS, NATIONAL ASSUMES NO LIABILITY WHATSOEVER, AND NATIONAL DISCLAIMS ANY EXPRESS OR IMPLIED WARRANTY RELATING TO THE SALE AND/OR USE OF NATIONAL PRODUCTS INCLUDING LIABILITY OR WARRANTIES RELATING TO FITNESS FOR A PARTICULAR PURPOSE, MERCHANTABILITY, OR INFRINGEMENT OF ANY PATENT, COPYRIGHT OR OTHER INTELLECTUAL PROPERTY RIGHT.

LIFE SUPPORT POLICY

NATIONAL'S PRODUCTS ARE NOT AUTHORIZED FOR USE AS CRITICAL COMPONENTS IN LIFE SUPPORT DEVICES OR SYSTEMS WITHOUT THE EXPRESS PRIOR WRITTEN APPROVAL OF THE CHIEF EXECUTIVE OFFICER AND GENERAL COUNSEL OF NATIONAL SEMICONDUCTOR CORPORATION. As used herein:

Life support devices or systems are devices which (a) are intended for surgical implant into the body, or (b) support or sustain life and whose failure to perform when properly used in accordance with instructions for use provided in the labeling can be reasonably expected to result in a significant injury to the user. A critical component is any component in a life support device or system whose failure to perform can be reasonably expected to cause the failure of the life support device or system or to affect its safety or effectiveness.

National Semiconductor and the National Semiconductor logo are registered trademarks of National Semiconductor Corporation. All other brand or product names may be trademarks or registered trademarks of their respective holders.

Copyright© 2008 National Semiconductor Corporation

For the most current product information visit us at www.national.com



**National Semiconductor
Americas Technical
Support Center**
Email:
new.feedback@nsc.com
Tel: 1-800-272-9959

**National Semiconductor Europe
Technical Support Center**
Email: europe.support@nsc.com
German Tel: +49 (0) 180 5010 771
English Tel: +44 (0) 870 850 4288

**National Semiconductor Asia
Pacific Technical Support Center**
Email: ap.support@nsc.com

**National Semiconductor Japan
Technical Support Center**
Email: jpn.feedback@nsc.com