

DESCRIPTION

The DS9094F iButton PCB Clip holds an iButton and connects to a printed circuit board. By deflecting the spring clip in the molded housing, an iButton can be inserted and extracted without special tools. If reverse insertion is attempted, the beveled edge on the housing prevents contact.

FEATURES

- Low-cost holder for F5 size iButton (see DS9094SM for F3 holder)
- Printed circuit board mount
- Contacts are gold plated
- Flammability rating: UL94V-O
- Two versions:
 - DS9094F for F5 size iButton
 - DS9094FS for surface mounting F5 size iButton

ORDERING INFORMATION

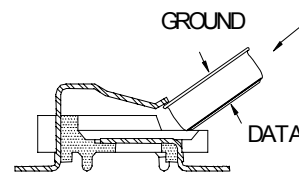
PART	TEMP RANGE	PIN-PACKAGE
DS9094F+	-40°C to 85°C	¹ Through-hole mount F5 can
DS9094FS+	-40°C to 85°C	² Surface mount F5 can

¹NOTE: Wave- or hand-solder only; do not reflow.

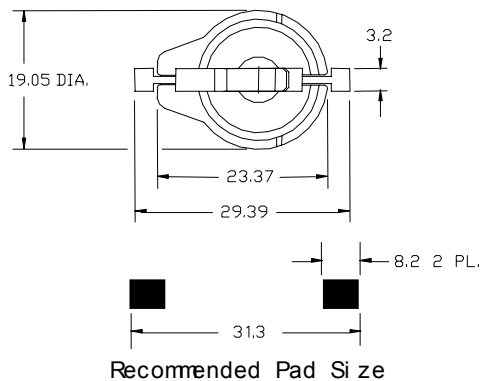
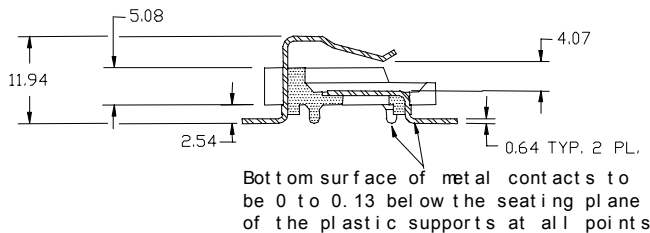
²NOTE: Hand-solder only; do not reflow.

+ Denotes lead-free compliance.

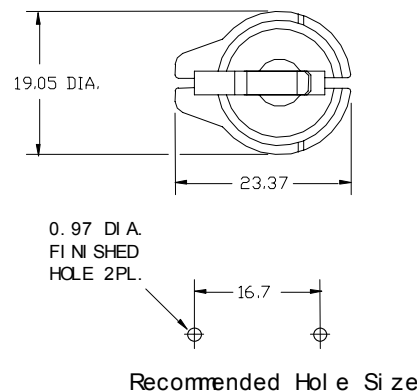
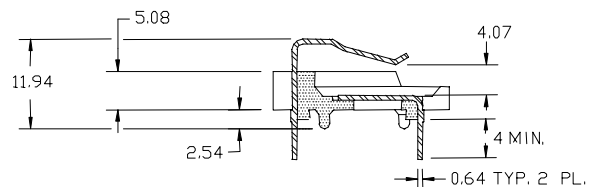
INSERTION OF iButton



DS9094FS



DS9094F



All dimensions in millimeters.

iButton is a registered trademark of Maxim Integrated Products, Inc.

REVISION HISTORY

REVISION DATE	DESCRIPTION	PAGES CHANGED
051606	Original release	—
072308	Updated the soldering notes.	1