

## DMOS FULL-BRIDGE MOTOR DRIVERS

 Check for Samples: [DRV8800](#), [DRV8801](#)

### FEATURES

- Low ON-Resistance [ $R_{ds(ON)}$ ] Outputs
- Overcurrent Protection
- Motor Lead Short-to-Supply Protection
- Short-to-Ground Protection
- Low-Power Mode
- Synchronous Rectification
- Diagnostic Output
- Internal Undervoltage Lockout (UVLO)
- Crossover-Current Protection
- 16-Pin QFN With PowerPAD™ Package

### APPLICATIONS

- Printers
- Industrial Automation

### DESCRIPTION/ORDERING INFORMATION

Designed to control dc motors by using pulse width modulation (PWM), the DRV8800/DRV8801 is capable of peak output currents up to  $\pm 2.8$  A and operating voltages up to 36 V.

The PHASE and ENABLE inputs provide dc motor speed and direction control by applying external pulse-width modulation (PWM) and control signals. Internal synchronous rectification control circuitry provides lower power dissipation during PWM operation.

Internal circuit protection includes motor lead short-to-supply/short-to-ground, thermal shutdown with hysteresis, undervoltage monitoring of VBB and VCP, and crossover-current protection.

The DRV8800/DRV8801 is supplied in a thin-profile 16-pin QFN (RTY) PowerPAD™ package, providing enhanced thermal dissipation. The devices are lead free (Pb free).

### ORDERING INFORMATION

| $T_A$         | PACKAGE <sup>(1)</sup> (2)       | ORDERABLE PART NUMBER | TOP-SIDE MARKING |
|---------------|----------------------------------|-----------------------|------------------|
| -40°C to 85°C | Plastic QFN 16 (S-PQFP-16) – RTY | DRV8800RTYR           | DRV8800          |
|               |                                  | DRV8800RTYT           | DRV8800          |
|               |                                  | DRV8801RTYR           | DRV8801          |
|               |                                  | DRV8801RTYT           | DRV8801          |
|               | TSSOP - PWP                      | DRV8800PWP            | DRV8800          |
|               |                                  | DRV8800PWPR           | DRV8800          |
|               |                                  | DRV8801PWP            | DRV8801          |
|               |                                  | DRV8801PWPR           | DRV8801          |

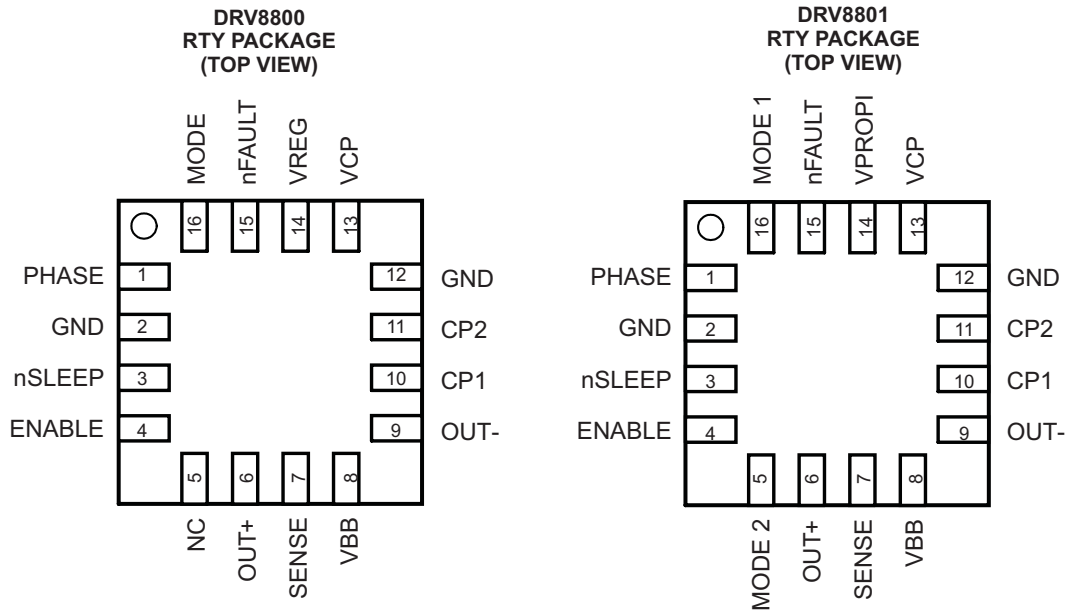
(1) For the most current package and ordering information, see the Package Option Addendum at the end of this document, or see the TI website at [www.ti.com](http://www.ti.com).

(2) Package drawings, thermal data, and symbolization are available at [www.ti.com/packaging](http://www.ti.com/packaging).



Please be aware that an important notice concerning availability, standard warranty, and use in critical applications of Texas Instruments semiconductor products and disclaimers thereto appears at the end of this data sheet.

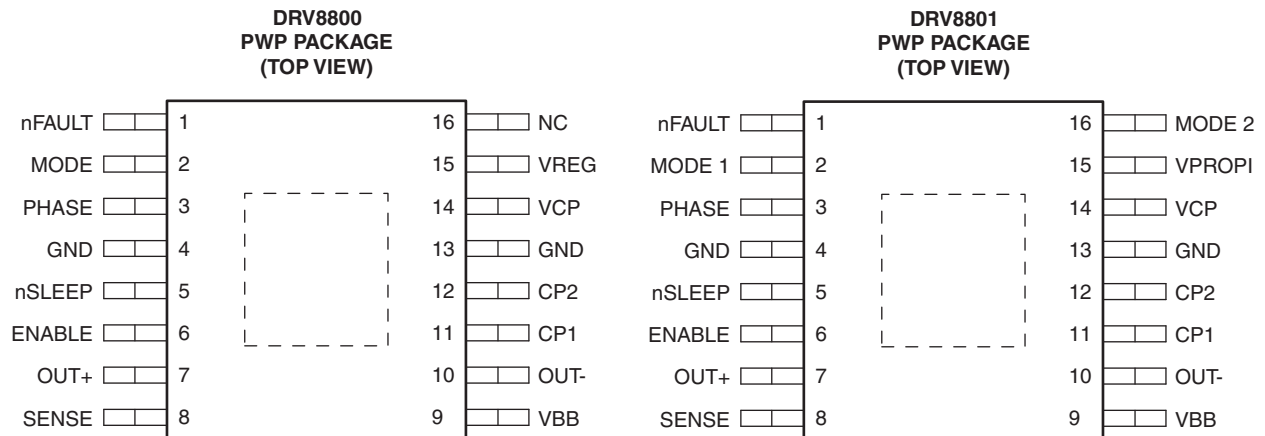
PowerPAD is a trademark of Texas Instruments Incorporated.



NC – Do not connect

**TERMINAL FUNCTIONS**

| NO. | TERMINAL |          | DESCRIPTION  |
|-----|----------|----------|--|
|     | NAME     |          |  |
|     | DRV8800  | DRV8801  |  |
| 1   | PHASE    | PHASE    | Phase logic input for direction control  |
| 2   | GND      | GND      | Ground   |
| 3   | nSLEEP   | nSLEEP   | Sleep logic input  |
| 4   | ENABLE   | ENABLE   | Enable logic input   |
| 5   | NC       | MODE 2   | No connect (DRV8800), Mode 2 logic input (DRV8801)                                 |
| 6   | OUT+     | OUT+     | DMOS full-bridge output positive   |
| 7   | SENSE    | SENSE    | Sense power return   |
| 8   | VBB      | VBB      | Load supply voltage  |
| 9   | OUT-     | OUT-     | DMOS full-bridge output negative   |
| 10  | CP1      | CP1      | Charge-pump capacitor 1  |
| 11  | CP2      | CP2      | Charge-pump capacitor 2  |
| 12  | GND      | GND      | Ground   |
| 13  | VCP      | VCP      | Reservoir capacitor  |
| 14  | VREG     | VPROPI   | Regulated voltage (DRV8800), Winding current proportional voltage output (DRV8801) |
| 15  | nFAULT   | nFAULT   | Fault open-drain output  |
| 16  | MODE     | MODE 1   | Mode logic input   |
|     | PowerPAD | PowerPAD | Exposed pad for thermal dissipation connect to GND pins                            |



NC – Do not connect

### TERMINAL FUNCTIONS

| NO. | TERMINAL |          | DESCRIPTION  |
|-----|----------|----------|--|
|     | NAME     |          |  |
|     | DRV8800  | DRV8801  |  |
| 1   | nFAULT   | nFAULT   | Fault open-drain output  |
| 2   | MODE     | MODE 1   | Mode logic input   |
| 3   | PHASE    | PHASE    | Logic input for direction control  |
| 4   | GND      | GND      | Ground   |
| 5   | nSLEEP   | nSLEEP   | Sleep logic input  |
| 6   | ENABLE   | ENABLE   | Enable logic input   |
| 7   | OUT+     | OUT+     | DMOS full-bridge output positive   |
| 8   | SENSE    | SENSE    | Sense power return   |
| 9   | VBB      | VBB      | Load supply voltage  |
| 10  | OUT-     | OUT-     | DMOS full-bridge output negative   |
| 11  | CP1      | CP1      | Charge-pump capacitor 1  |
| 12  | CP2      | CP2      | Charge-pump capacitor 2  |
| 13  | GND      | GND      | Ground   |
| 14  | VCP      | VCP      | Reservoir capacitor  |
| 15  | VREG     | VPROPI   | Regulated voltage (DRV8800), Winding current proportional voltage output (DRV8801) |
| 16  | NC       | MODE 2   | No connect (DRV8800), Mode 2 logic input (DRV8801)                                 |
|     | PowerPAD | PowerPAD | Exposed pad for thermal dissipation connect to GND pins                            |

Figure 1. DRV8800 TYPICAL APPLICATION DIAGRAM

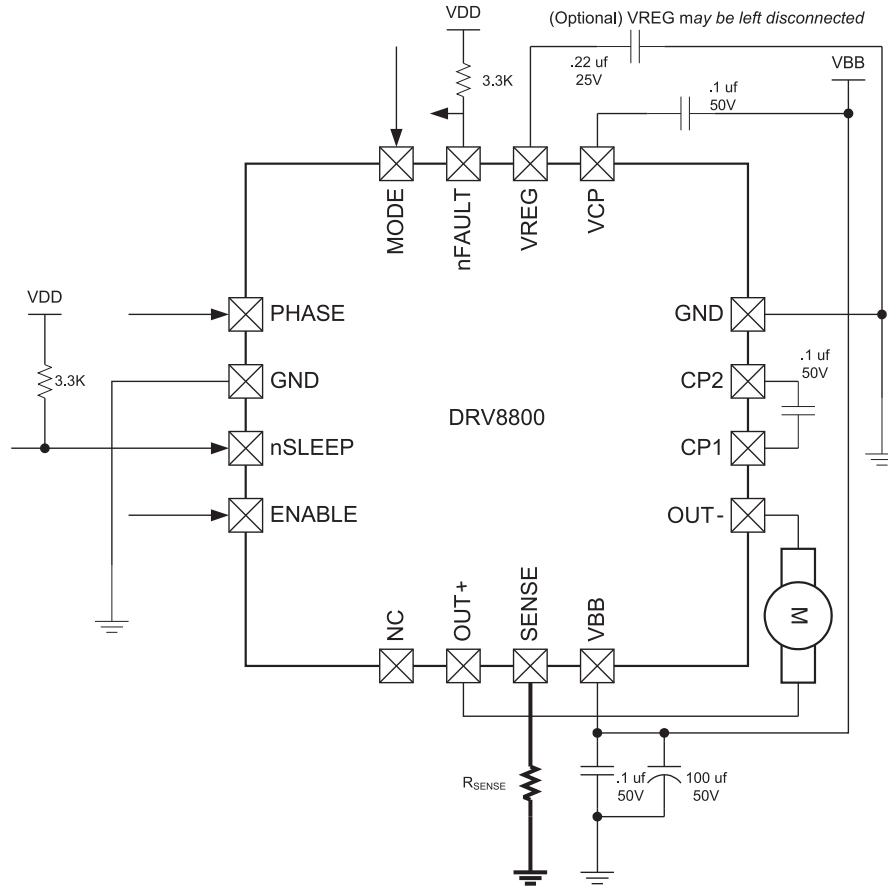


Figure 2. DRV8801 TYPICAL APPLICATION DIAGRAM

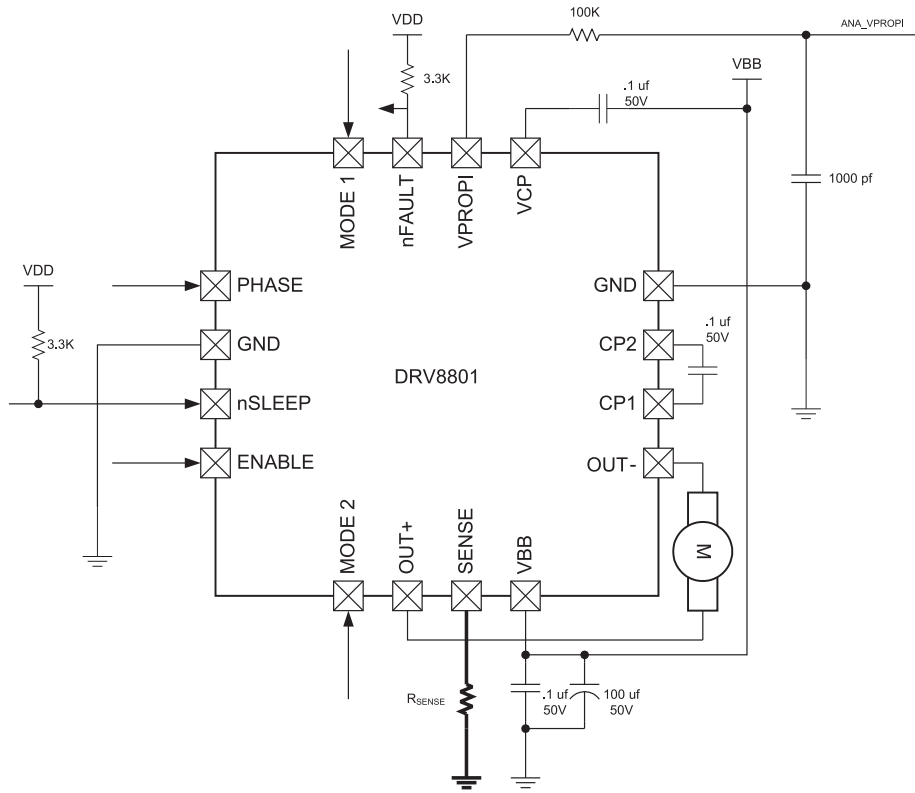


Figure 3. DRV8800 FUNCTIONAL BLOCK DIAGRAM

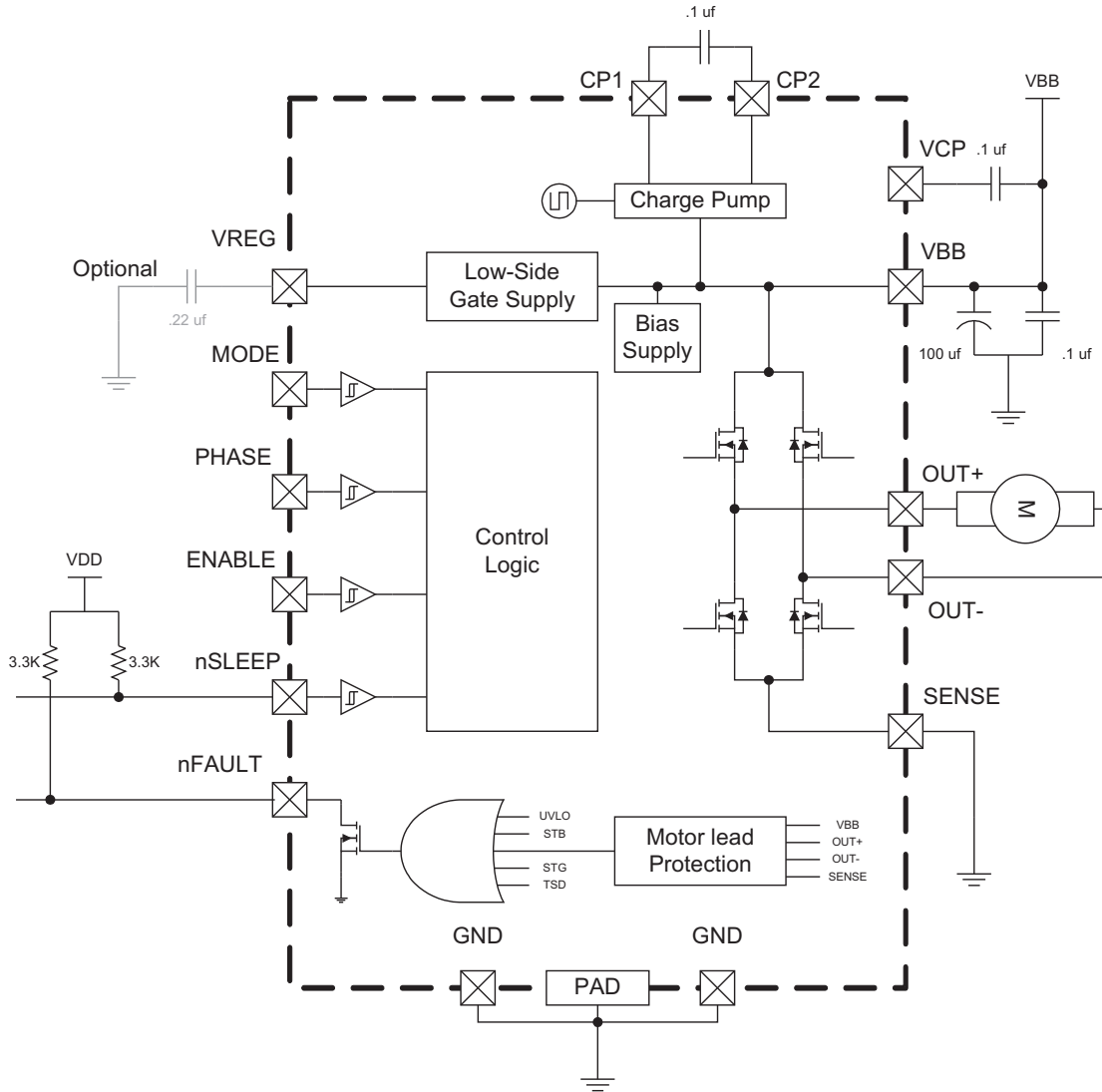
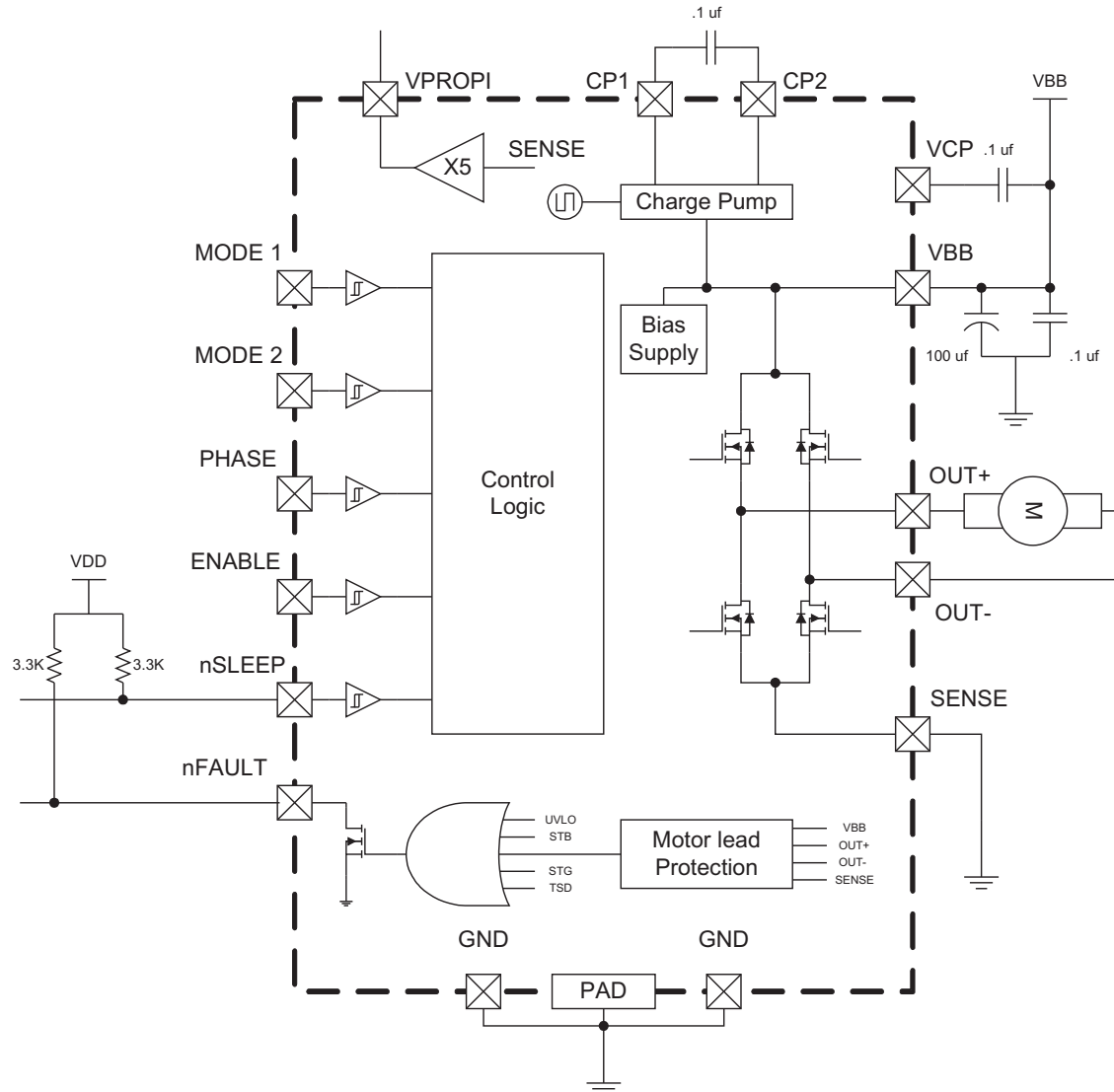


Figure 4. DRV8801 FUNCTIONAL BLOCK DIAGRAM



## ABSOLUTE MAXIMUM RATINGS<sup>(1)</sup>

over operating free-air temperature range (unless otherwise noted)

|                                    |                                      | MIN                           | MAX  | UNIT |
|------------------------------------|--------------------------------------|-------------------------------|------|------|
| VBB                                | Load supply voltage <sup>(2)</sup>   |                               | 40   | V    |
|                                    | Output current                       |                               | 2.8  | A    |
| V <sub>Sense</sub>                 | Sense voltage                        |                               | ±500 | mV   |
|                                    | VBB to OUTx                          |                               | 36   | V    |
|                                    | OUTx to SENSE                        |                               | 36   | V    |
| VDD                                | Logic input voltage <sup>(2)</sup>   | -0.3                          | 7    | V    |
| ESD rating                         | Human-Body Model (HBM)               |                               | ±2   | kV   |
|                                    | Charged-Device Model (CDM)           |                               | 500  | V    |
| Continuous total power dissipation |                                      | See Dissipation Ratings Table |      |      |
| T <sub>A</sub>                     | Operating free-air temperature range | -40                           | 85   | °C   |
| T <sub>J</sub>                     | Maximum junction temperature         |                               | 190  | °C   |
| T <sub>stg</sub>                   | Storage temperature range            | -40                           | 125  | °C   |

- (1) Stresses beyond those listed under “absolute maximum ratings” may cause permanent damage to the device. These are stress ratings only, and functional operation of the device at these or any other conditions beyond those indicated under “recommended operating conditions” is not implied. Exposure to absolute-maximum-rated conditions for extended periods may affect device reliability.
- (2) All voltage values are with respect to network ground terminal.

## THERMAL INFORMATION

| THERMAL METRIC     |   | DRV8800/01 | DRV8800/01 | UNITS |
|--------------------|---|------------|------------|-------|
|                    |   | RTY        | PWP        |       |
|                    |   | 16 PINS    | 16 PINS    |       |
| θ <sub>JA</sub>    | Junction-to-ambient thermal resistance <sup>(1)</sup>       | 38.1       | 43.9       | °C/W  |
| θ <sub>JCtop</sub> | Junction-to-case (top) thermal resistance <sup>(2)</sup>    | 36.7       | 30.8       |       |
| θ <sub>JB</sub>    | Junction-to-board thermal resistance <sup>(3)</sup>         | 16.1       | 25.3       |       |
| ψ <sub>JT</sub>    | Junction-to-top characterization parameter <sup>(4)</sup>   | 0.3        | 1.1        |       |
| ψ <sub>JB</sub>    | Junction-to-board characterization parameter <sup>(5)</sup> | 16.2       | 25         |       |
| θ <sub>JCbot</sub> | Junction-to-case (bottom) thermal resistance <sup>(6)</sup> | 4.1        | 5.6        |       |

- (1) The junction-to-ambient thermal resistance under natural convection is obtained in a simulation on a JEDEC-standard, high-K board, as specified in JESD51-7, in an environment described in JESD51-2a.
- (2) The junction-to-case (top) thermal resistance is obtained by simulating a cold plate test on the package top. No specific JEDEC-standard test exists, but a close description can be found in the ANSI SEMI standard G30-88.
- (3) The junction-to-board thermal resistance is obtained by simulating in an environment with a ring cold plate fixture to control the PCB temperature, as described in JESD51-8.
- (4) The junction-to-top characterization parameter, ψ<sub>JT</sub>, estimates the junction temperature of a device in a real system and is extracted from the simulation data for obtaining θ<sub>JA</sub>, using a procedure described in JESD51-2a (sections 6 and 7).
- (5) The junction-to-board characterization parameter, ψ<sub>JB</sub>, estimates the junction temperature of a device in a real system and is extracted from the simulation data for obtaining θ<sub>JA</sub>, using a procedure described in JESD51-2a (sections 6 and 7).
- (6) The junction-to-case (bottom) thermal resistance is obtained by simulating a cold plate test on the exposed (power) pad. No specific JEDEC standard test exists, but a close description can be found in the ANSI SEMI standard G30-88.

## RECOMMENDED OPERATING CONDITIONS

|                 |                                | MIN | NOM | MAX | UNIT |
|-----------------|--------------------------------|-----|-----|-----|------|
| V <sub>IN</sub> | Input voltage, VBB             | 8   | 32  | 38  | V    |
| T <sub>A</sub>  | Operating free-air temperature | -40 |     | 85  | °C   |



## ELECTRICAL CHARACTERISTICS

over recommended operating conditions (unless otherwise noted)

| PARAMETER                   |                                   | TEST CONDITIONS   | MIN | TYP         | MAX  | UNIT             |
|-----------------------------|-----------------------------------|---|-----|-------------|------|------------------|
| IBB                         | Motor supply current              | $f_{PWM} < 50 \text{ kHz}$  |     | 6           |      | mA               |
|                             |                                   | Charge pump on, Outputs disabled                                      |     | 3.2         |      |                  |
|                             |                                   | Sleep mode  |     |             |      | 10               |
| $V_{IH}$                    | PHASE, ENABLE, MODE input voltage |   | 2   |             |      | V                |
| $V_{IL}$                    |                                   |   |     | 0.8         |      |                  |
| $V_{IH}$                    | nSLEEP input voltage              |   | 2.7 |             |      | V                |
| $V_{IL}$                    |                                   |   |     | 0.8         |      |                  |
| $I_{IH}$                    | PHASE, MODE input current         | $V_{IN} = 2 \text{ V}$  |     | <1.0        | 20   | $\mu\text{A}$    |
| $I_{IL}$                    |                                   | $V_{IN} = 0.8 \text{ V}$  | -20 | $\leq -2.0$ | 20   |                  |
| $I_{IH}$                    | ENABLE input current              | $V_{IN} = 2 \text{ V}$  |     | 40          | 100  | $\mu\text{A}$    |
| $I_{IL}$                    |                                   | $V_{IN} = 0.8 \text{ V}$  |     | 16          | 40   |                  |
| $I_{IH}$                    | nSLEEP input current              | $V_{IN} = 2.7 \text{ V}$  |     | 27          | 50   | $\mu\text{A}$    |
| $I_{IL}$                    |                                   | $V_{IN} = 0.8 \text{ V}$  |     | <1          | 10   |                  |
| $V_{OL}$                    | nFAULT output voltage             | $I_{sink} = 1 \text{ mA}$   |     |             | 0.4  | V                |
| VBBNFR                      | VBB nFAULT release                | $8 \text{ V} < V_{BB} < 40 \text{ V}$                                 |     | 12          | 13.8 | V                |
| $V_{IHys}$                  | Input hysteresis, except nSLEEP   |   | 100 | 500         | 800  | mV               |
| $R_{ds(ON)}$                | Output ON resistance              | Source driver, $I_{OUT} = -2.8 \text{ A}$ , $T_J = 25^\circ\text{C}$  |     | 0.48        |      | $\Omega$         |
|                             |                                   | Source driver, $I_{OUT} = -2.8 \text{ A}$ , $T_J = 125^\circ\text{C}$ |     | 0.74        | 0.85 |                  |
|                             |                                   | Sink driver, $I_{OUT} = 2.8 \text{ A}$ , $T_J = 25^\circ\text{C}$     |     | 0.35        |      |                  |
|                             |                                   | Sink driver, $I_{OUT} = 2.8 \text{ A}$ , $T_J = 125^\circ\text{C}$    |     | 0.52        | 0.7  |                  |
| VTRP                        | RSENSE/ISense voltage trip        | SENSE connected to ground through some resistance                     |     | 500         |      | mV               |
| $V_f$                       | Body diode forward voltage        | Source diode, $I_f = -2.8 \text{ A}$                                  |     |             | 1.4  | V                |
|                             |                                   | Sink diode, $I_f = 2.8 \text{ A}$                                     |     |             | 1.4  |                  |
| $t_{pd}$                    | Propagation delay time            | PWM, Change to source or sink ON                                      |     | 600         |      | ns               |
|                             |                                   | PWM, Change to source or sink OFF                                     |     | 100         |      |                  |
| $t_{COD}$                   | Crossover delay                   |   |     | 500         |      | ns               |
| DAGain                      | Differential AMP gain             | Sense = 0.1 V to 0.4 V  |     | 5           |      | V/V              |
| <b>Protection Circuitry</b> |                                   |   |     |             |      |                  |
| VUV                         | UVLO threshold                    | VBB increasing  |     | 6.5         | 7.5  | V                |
| IOCP                        | Overcurrent threshold             |   | 3   |             |      | A                |
| $t_{OCP}$                   | Overcurrent protection period     |   |     | 1.2         |      | ms               |
| TJW                         | Thermal warning temperature       | Temperature increasing  |     | 160         |      | $^\circ\text{C}$ |
| TJWHys                      | Thermal warning hysteresis        | Recovery = TJW – TJWHys   |     | 15          |      | $^\circ\text{C}$ |
| TJTSD                       | Thermal shutdown temperature      | Temperature increasing  |     | 175         |      | $^\circ\text{C}$ |
| TJTSDHys                    | Thermal shutdown hysteresis       | Recovery = TJTSD – TJTSDHys   |     | 15          |      | $^\circ\text{C}$ |

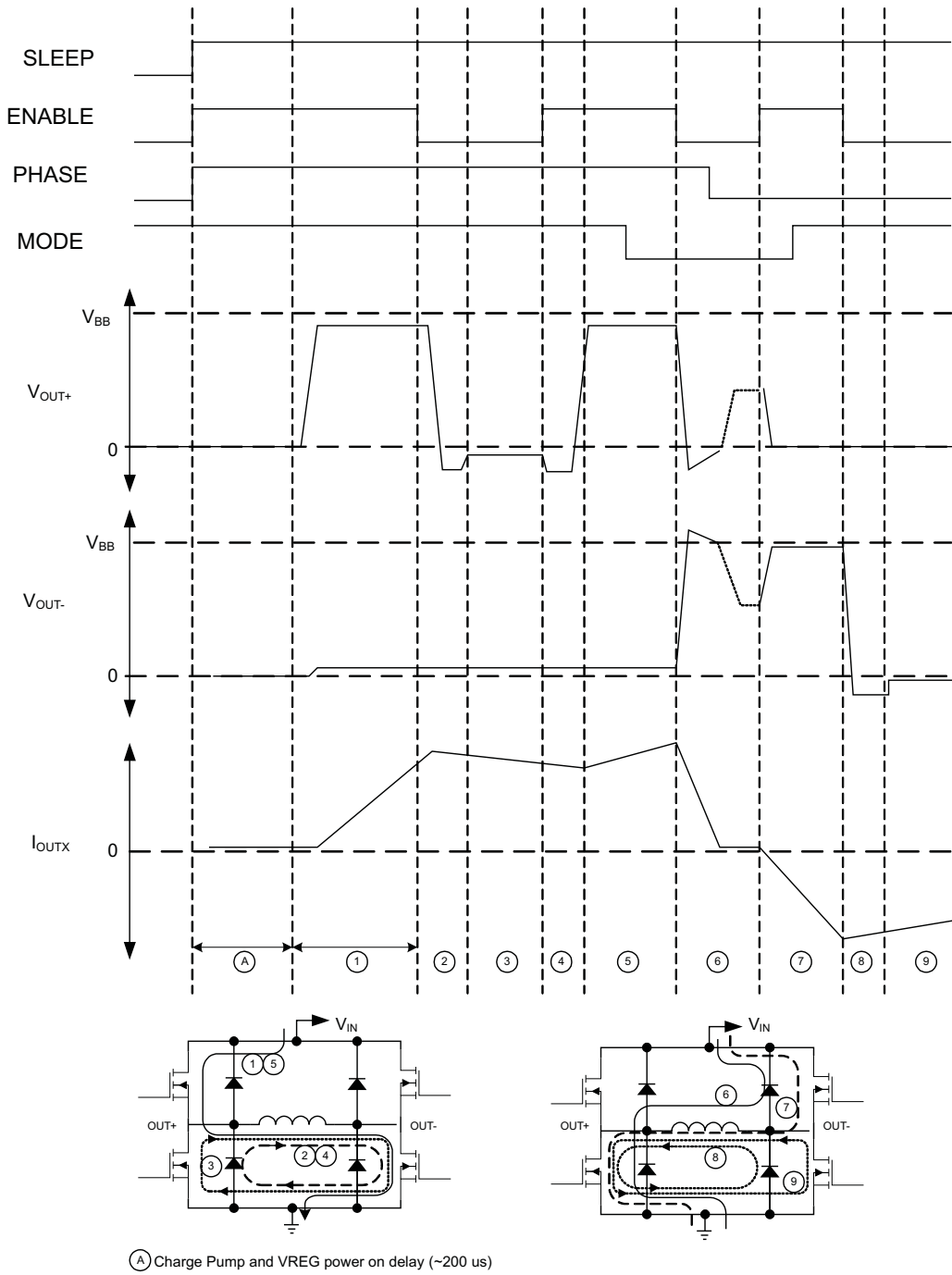
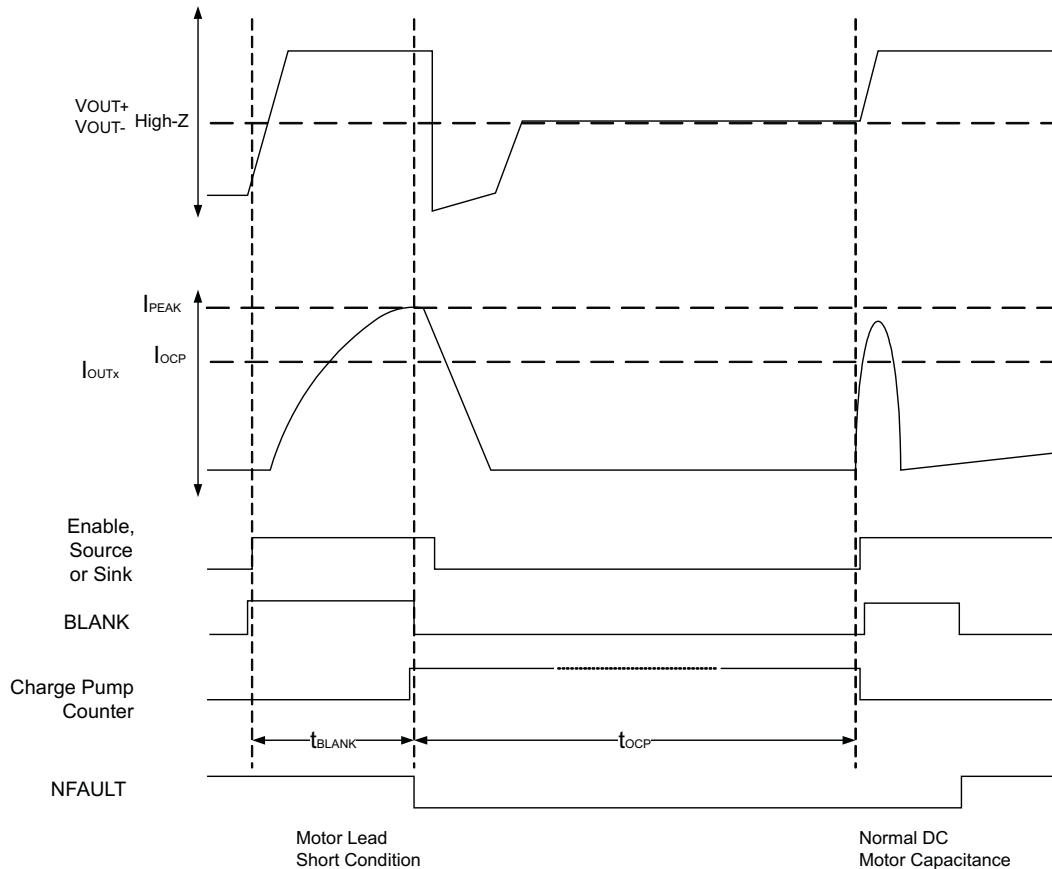


Figure 5. PWM Control Timing



**Figure 6. Overcurrent Control Timing**

## FUNCTIONAL DESCRIPTION

### Device Operation

The DRV8800/DRV8801 is designed to drive one dc motor. The current through the output full-bridge switches and all N-channel DMOS are regulated with a fixed off-time PWM control circuit.

### Logic Inputs

It is recommended to use a high-value pullup resistor when logic inputs are pulled up to  $V_{DD}$ . This resistor limits the current to the input in case an overvoltage event occurs. Logic inputs are nSLEEP, MODE, PHASE, and ENABLE. Voltages higher than 7 V on any logic input can cause damage to the input structure.

### VREG (DRV8800 Only)

This output represents a measurement of the internal regulator voltage. This pin should be left disconnected. A voltage of approximately 7.5 V can be measured at this pin.

### VPROPI (DRV8801 Only)

This output offers an analog voltage proportional to the winding current. Voltage at this terminal is five times greater than the motor winding current ( $V_{PROPI} = 5 \times I$ ). VPROPI is meaningful only if there is a resistor connected to the SENSE pin. If SENSE is connected to ground, VPROPI measures 0 V. During slow decay, VPROPI outputs 0 V. VPROPI can output a maximum of 2.5 V, since at 500 mV on SENSE, the H-bridge is disabled.

## Charge Pump

The charge pump is used to generate a supply above VBB to drive the source-side DMOS gates. A 0.1- $\mu$ F ceramic monolithic capacitor should be connected between CP1 and CP2 for pumping purposes. A 0.1- $\mu$ F ceramic monolithic capacitor, CStorage, should be connected between VCP and VBB to act as a reservoir to run the high-side DMOS devices. The VCP voltage level is internally monitored and, in the case of a fault condition, the outputs of the device are disabled.

## Shutdown

As a measure to protect the device, faults caused by very high junction temperatures or low voltage on VCP disable the outputs of the device until the fault condition is removed. At power on, the UVLO circuit disables the drivers.

## Low-Power Mode

Control input nSLEEP is used to minimize power consumption when the DRV8800/DRV8801 is not in use. This disables much of the internal circuitry, including the internal voltage rails and charge pump. nSLEEP is asserted low. A logic high on this input pin results in normal operation. When switching from low to high, the user should allow a 1-ms delay before applying PWM signals. This time is needed for the charge pump to stabilize.

- **MODE 1 (MODE on the DRV8800)**  
Input MODE 1 is used to toggle between fast-decay mode and slow-decay mode. A logic high puts the device in slow-decay mode.
- **MODE 2 (DRV8801 only)**  
MODE 2 is used to select which set of drivers (high side versus low side) is used during the slow-decay recirculation. MODE 2 is meaningful only when MODE 1 is asserted high. A logic high on MODE 2 has current recirculation through the high-side drivers. A logic low has current recirculation through the low-side drivers.

## Braking

The braking function is implemented by driving the device in slow-decay mode (MODE 1 pin is high) and deasserting the enable to low. Because it is possible to drive current in both directions through the DMOS switches, this configuration effectively shorts out the motor-generated BEMF as long as the ENABLE chop mode is asserted. The maximum current can be approximated by  $V_{BEMF}/R_L$ . Care should be taken to ensure that the maximum ratings of the device are not exceeded in worse-case braking situations – high-speed and high-inertia loads.

## Diagnostic Output

The nFAULT pin signals a problem with the chip via an open-drain output. A motor fault, undervoltage condition, or  $T_J > 160^\circ\text{C}$  drives the pin active low. This output is not valid when nSLEEP puts the device into minimum power dissipation mode (i.e., nSLEEP is low). nFAULT stays asserted (nFAULT = L) until VBB reaches VBBNFR to give the charge pump headroom to reach its undervoltage threshold. nFAULT is a status-only signal and does not affect any device functionality. The H-bridge portion still operates normally down to  $V_{BB} = 8\text{ V}$  with nFAULT asserted.

## Thermal Shutdown (TSD)

Two die-temperature monitors are integrated on the chip. As die temperature increases toward the maximum, a thermal warning signal is triggered at  $160^\circ\text{C}$ . This fault drives the nFAULT low, but does not disable the operation of the chip. If the die temperature increases further, to approximately  $175^\circ\text{C}$ , the full-bridge outputs are disabled until the internal temperature falls below a hysteresis of  $15^\circ\text{C}$ .

**Control Logic Table<sup>(1)</sup>**

| PINS  |        |        |        |        |      |      | OPERATION   |
|-------|--------|--------|--------|--------|------|------|---|
| PHASE | ENABLE | MODE 1 | MODE 2 | nSLEEP | OUT+ | OUT- |   |
| 1     | 1      | X      | X      | 1      | H    | L    | Forward   |
| 0     | 1      | X      | X      | 1      | L    | H    | Reverse   |
| X     | 0      | 1      | 0      | 1      | L    | L    | Brake (slow decay)                                  |
| 1     | 0      | 0      | 1      | 1      | L    | H    | Fast-decay synchronous rectification <sup>(2)</sup> |
| 0     | 0      | 0      | X      | 1      | H    | L    | Fast-decay synchronous rectification <sup>(2)</sup> |
| X     | X      | X      | X      | 0      | Z    | Z    | Sleep mode  |

(1) X = Don't care, Z = high impedance

(2) To prevent reversal of current during fast-decay synchronous rectification, outputs go to the high-impedance state as the current approaches 0 A.

### Overcurrent Protection

The current flowing through the high-side and low-side drivers is monitored to ensure that the motor lead is not shorted to supply or ground. If a short is detected, the full-bridge outputs are turned off, flag nFAULT is driven low, and a 1.2-ms fault timer is started. After this 1.2-ms period,  $t_{OCP}$ , the device is then allowed to follow the input commands and another turnon is attempted (nFAULT becomes high again during this attempt). If there is still a fault condition, the cycle repeats. If after  $t_{OCP}$  expires it is determined the short condition is not present, normal operation resumes and nFAULT is deasserted.

## APPLICATION INFORMATION

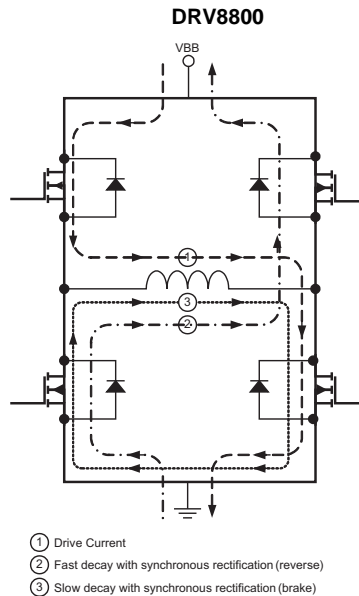
### Power Dissipation

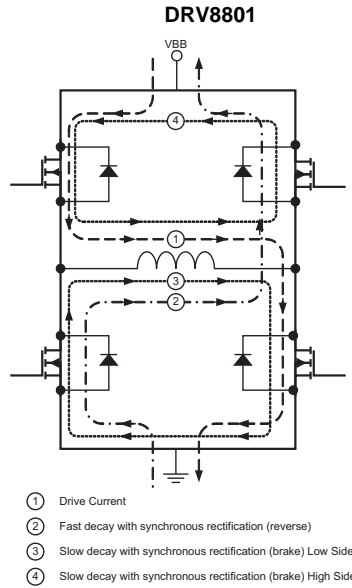
First-order approximation of power dissipation in the DRV8800/DRV8801 can be calculated by examining the power dissipation in the full-bridge during each of the operation modes. DRV8800/DRV8801 utilize synchronous rectification. During the decay cycle, the body diode is shorted by the low- $R_{ds(ON)}$  driver, which in turn reduces power dissipation in the full-bridge. In order to prevent shoot through (high-side and low-side drivers on the same side are ON at the same time), DRV8800/DRV8801 implement a 500-ns typical crossover delay time. During this period, the body diode in the decay current path conducts the current until the DMOS driver turns on. High current and high ambient temperature applications should take this into consideration. In addition, motor parameters and switching losses can add power dissipation that could affect critical applications.

### Drive Current

This current path is through the high-side sourcing DMOS driver, motor winding, and low-side sinking DMOS driver. Power dissipation  $I^2R$  losses in one source and one sink DMOS driver, as shown in Equation 1.

$$P_D = I^2 (R_{DS(on)Source} + R_{DS(on)Sink}) \quad (1)$$





**Figure 7. Current Path**

### Fast Decay With Synchronous Rectification

This decay mode is equivalent to a phase change where the opposite drivers are switched on. When in fast decay, the motor current is not allowed to go negative (direction change). Instead, as the current approaches zero, the drivers turn off. The power calculation is the same as the drive current calculation (see Equation 1).

## Slow-Decay SR (Brake Mode)

In slow-decay mode, both low-side sinking drivers turn on, allowing the current to circulate through the H-bridge's low side (two sink drivers) and the load. Power dissipation  $I^2R$  losses in the two sink DMOS drivers:

$$P_D = I^2 (2 \times R_{DS(on)Sink}) \quad (2)$$

## SENSE

A low-value resistor can be placed between the SENSE pin and ground for current-sensing purposes. To minimize ground-trace IR drops in sensing the output current level, the current-sensing resistor should have an independent ground return to the star ground point. This trace should be as short as possible. For low-value sense resistors, the IR drops in the PCB can be significant, and should be taken into account.

---

### NOTE

When selecting a value for the sense resistor, SENSE does not exceed the maximum voltage of  $\pm 500$  mV. The H-bridge is disabled and enters recirculation while motor winding current is above a SENSE voltage equal or greater than 500 mV.

---

## Ground

A ground power plane should be located as close to the DRV8800/DRV8801 as possible. The copper ground plane directly under the PowerPAD package makes a good location. This pad can then be connected to ground for this purpose.

## Layout

The printed circuit board (PCB) should use a heavy ground plane. For optimum electrical and thermal performance, the DRV8800/DRV8801 must be soldered directly onto the board. On the underside of the DRV8800/DRV8801 is a PowerPAD package, which provides a path for enhanced thermal dissipation. The thermal pad should be soldered directly to an exposed surface on the PCB. Thermal vias are used to transfer heat to other layers of the PCB. For more information on this technique, please refer to document SLMA002.

The load supply pin, VBB, should be decoupled with an electrolytic capacitor (typically 100  $\mu$ F) in parallel with a ceramic capacitor placed as close as possible to the device. The ceramic capacitors between VCP and VBB, connected to VREG, and between CP1 and CP2 should be as close to the pins of the device as possible, in order to minimize lead inductance.



**PACKAGING INFORMATION**

| Orderable Device | Status <sup>(1)</sup> | Package Type | Package Drawing | Pins | Package Qty | Eco Plan <sup>(2)</sup> | Lead/<br>Ball Finish | MSL Peak Temp <sup>(3)</sup> | Samples<br>(Requires Login) |
|------------------|-----------------------|--------------|-----------------|------|-------------|-------------------------|----------------------|------------------------------|-----------------------------|
| DRV8800PWP       | ACTIVE                | HTSSOP       | PWP             | 16   | 90          | Green (RoHS & no Sb/Br) | CU NIPDAU            | Level-2-260C-1 YEAR          |                             |
| DRV8800PWPR      | ACTIVE                | HTSSOP       | PWP             | 16   | 2000        | Green (RoHS & no Sb/Br) | CU NIPDAU            | Level-2-260C-1 YEAR          |                             |
| DRV8800RTYR      | ACTIVE                | QFN          | RTY             | 16   | 3000        | Green (RoHS & no Sb/Br) | CU NIPDAU            | Level-3-260C-168 HR          |                             |
| DRV8800RTYT      | ACTIVE                | QFN          | RTY             | 16   | 250         | Green (RoHS & no Sb/Br) | CU NIPDAU            | Level-3-260C-168 HR          |                             |
| DRV8801PWP       | ACTIVE                | HTSSOP       | PWP             | 16   | 90          | Green (RoHS & no Sb/Br) | CU NIPDAU            | Level-2-260C-1 YEAR          |                             |
| DRV8801PWPR      | ACTIVE                | HTSSOP       | PWP             | 16   | 2000        | Green (RoHS & no Sb/Br) | CU NIPDAU            | Level-2-260C-1 YEAR          |                             |
| DRV8801RTYR      | ACTIVE                | QFN          | RTY             | 16   | 3000        | Green (RoHS & no Sb/Br) | CU NIPDAU            | Level-3-260C-168 HR          |                             |
| DRV8801RTYT      | ACTIVE                | QFN          | RTY             | 16   | 250         | Green (RoHS & no Sb/Br) | CU NIPDAU            | Level-3-260C-168 HR          |                             |

<sup>(1)</sup> The marketing status values are defined as follows:

**ACTIVE:** Product device recommended for new designs.

**LIFEBUY:** TI has announced that the device will be discontinued, and a lifetime-buy period is in effect.

**NRND:** Not recommended for new designs. Device is in production to support existing customers, but TI does not recommend using this part in a new design.

**PREVIEW:** Device has been announced but is not in production. Samples may or may not be available.

**OBSOLETE:** TI has discontinued the production of the device.

<sup>(2)</sup> Eco Plan - The planned eco-friendly classification: Pb-Free (RoHS), Pb-Free (RoHS Exempt), or Green (RoHS & no Sb/Br) - please check <http://www.ti.com/productcontent> for the latest availability information and additional product content details.

**TBD:** The Pb-Free/Green conversion plan has not been defined.

**Pb-Free (RoHS):** TI's terms "Lead-Free" or "Pb-Free" mean semiconductor products that are compatible with the current RoHS requirements for all 6 substances, including the requirement that lead not exceed 0.1% by weight in homogeneous materials. Where designed to be soldered at high temperatures, TI Pb-Free products are suitable for use in specified lead-free processes.

**Pb-Free (RoHS Exempt):** This component has a RoHS exemption for either 1) lead-based flip-chip solder bumps used between the die and package, or 2) lead-based die adhesive used between the die and leadframe. The component is otherwise considered Pb-Free (RoHS compatible) as defined above.

**Green (RoHS & no Sb/Br):** TI defines "Green" to mean Pb-Free (RoHS compatible), and free of Bromine (Br) and Antimony (Sb) based flame retardants (Br or Sb do not exceed 0.1% by weight in homogeneous material)

<sup>(3)</sup> MSL, Peak Temp. -- The Moisture Sensitivity Level rating according to the JEDEC industry standard classifications, and peak solder temperature.

**Important Information and Disclaimer:** The information provided on this page represents TI's knowledge and belief as of the date that it is provided. TI bases its knowledge and belief on information provided by third parties, and makes no representation or warranty as to the accuracy of such information. Efforts are underway to better integrate information from third parties. TI has taken and continues to take reasonable steps to provide representative and accurate information but may not have conducted destructive testing or chemical analysis on incoming materials and chemicals. TI and TI suppliers consider certain information to be proprietary, and thus CAS numbers and other limited information may not be available for release.

In no event shall TI's liability arising out of such information exceed the total purchase price of the TI part(s) at issue in this document sold by TI to Customer on an annual basis.

**OTHER QUALIFIED VERSIONS OF DRV8801 :**

- Automotive: [DRV8801-Q1](#)

NOTE: Qualified Version Definitions:

- Automotive - Q100 devices qualified for high-reliability automotive applications targeting zero defects

**TAPE AND REEL INFORMATION**
**REEL DIMENSIONS**

**TAPE DIMENSIONS**


|    |   |
|----|---|
| A0 | Dimension designed to accommodate the component width     |
| B0 | Dimension designed to accommodate the component length    |
| K0 | Dimension designed to accommodate the component thickness |
| W  | Overall width of the carrier tape                         |
| P1 | Pitch between successive cavity centers                   |

**TAPE AND REEL INFORMATION**

\*All dimensions are nominal

| Device      | Package Type | Package Drawing | Pins | SPQ  | Reel Diameter (mm) | Reel Width W1 (mm) | A0 (mm) | B0 (mm) | K0 (mm) | P1 (mm) | W (mm) | Pin1 Quadrant |
|-------------|--------------|-----------------|------|------|--------------------|--------------------|---------|---------|---------|---------|--------|---------------|
| DRV8800PWPR | HTSSOP       | PWP             | 16   | 2000 | 330.0              | 12.4               | 6.9     | 5.6     | 1.6     | 8.0     | 12.0   | Q1            |
| DRV8800RTYR | QFN          | RTY             | 16   | 3000 | 330.0              | 12.4               | 4.25    | 4.25    | 1.15    | 8.0     | 12.0   | Q2            |
| DRV8800RTYT | QFN          | RTY             | 16   | 250  | 180.0              | 12.4               | 4.25    | 4.25    | 1.15    | 8.0     | 12.0   | Q2            |
| DRV8801PWPR | HTSSOP       | PWP             | 16   | 2000 | 330.0              | 12.4               | 6.9     | 5.6     | 1.6     | 8.0     | 12.0   | Q1            |
| DRV8801RTYR | QFN          | RTY             | 16   | 3000 | 330.0              | 12.4               | 4.25    | 4.25    | 1.15    | 8.0     | 12.0   | Q2            |
| DRV8801RTYT | QFN          | RTY             | 16   | 250  | 180.0              | 12.4               | 4.25    | 4.25    | 1.15    | 8.0     | 12.0   | Q2            |

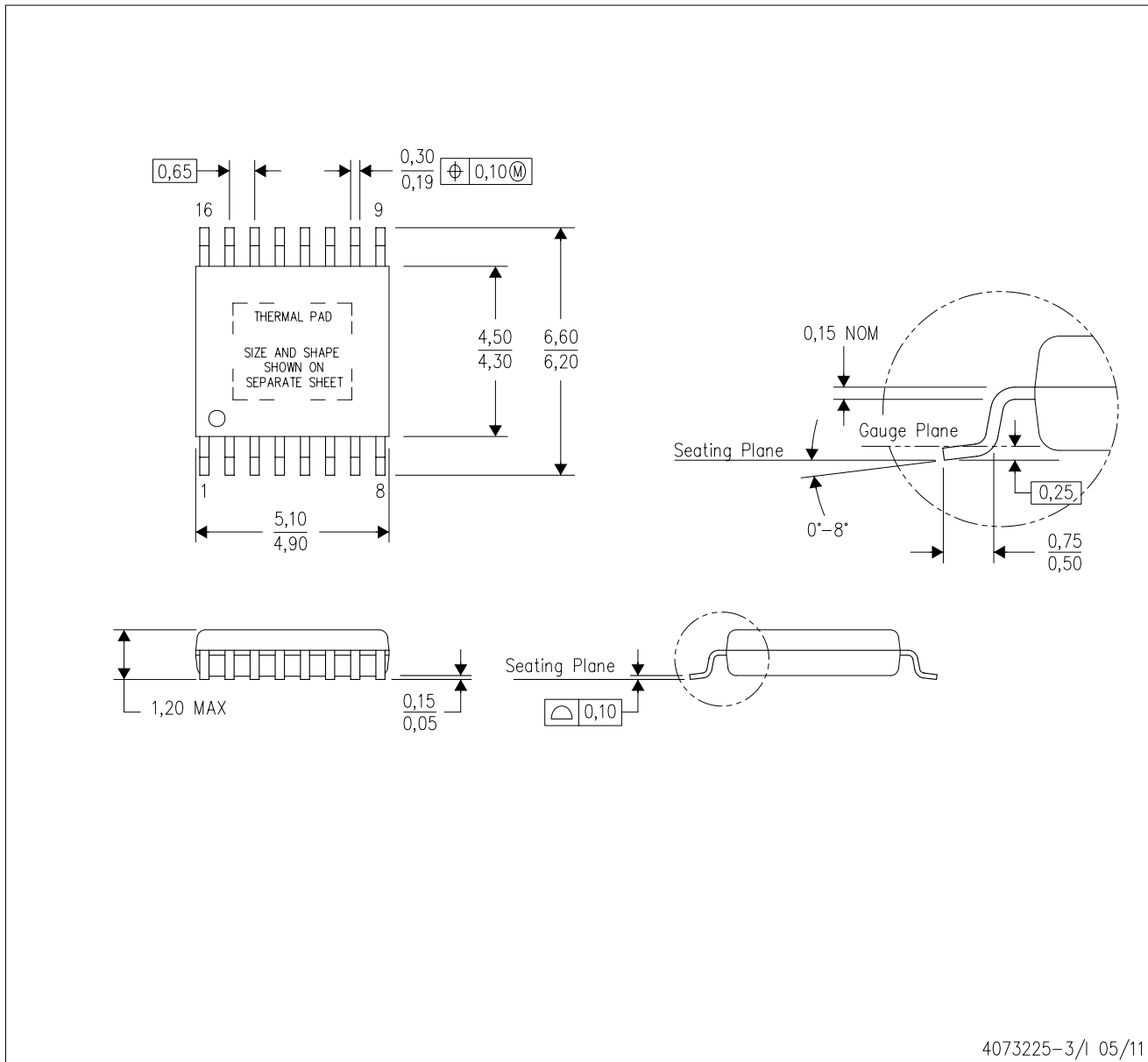
**TAPE AND REEL BOX DIMENSIONS**


\*All dimensions are nominal

| Device      | Package Type | Package Drawing | Pins | SPQ  | Length (mm) | Width (mm) | Height (mm) |
|-------------|--------------|-----------------|------|------|-------------|------------|-------------|
| DRV8800PWPR | HTSSOP       | PWP             | 16   | 2000 | 367.0       | 367.0      | 35.0        |
| DRV8800RTYR | QFN          | RTY             | 16   | 3000 | 367.0       | 367.0      | 35.0        |
| DRV8800RTYT | QFN          | RTY             | 16   | 250  | 210.0       | 185.0      | 35.0        |
| DRV8801PWPR | HTSSOP       | PWP             | 16   | 2000 | 367.0       | 367.0      | 35.0        |
| DRV8801RTYR | QFN          | RTY             | 16   | 3000 | 367.0       | 367.0      | 35.0        |
| DRV8801RTYT | QFN          | RTY             | 16   | 250  | 210.0       | 185.0      | 35.0        |

PWP (R-PDSO-G16)

PowerPAD™ PLASTIC SMALL OUTLINE



- NOTES:
- A. All linear dimensions are in millimeters.
  - B. This drawing is subject to change without notice.
  - C. Body dimensions do not include mold flash or protrusions. Mold flash and protrusion shall not exceed 0.15 per side.
  - D. This package is designed to be soldered to a thermal pad on the board. Refer to Technical Brief, PowerPad Thermally Enhanced Package, Texas Instruments Literature No. SLMA002 for information regarding recommended board layout. This document is available at [www.ti.com](http://www.ti.com) <<http://www.ti.com>>.
  - E. See the additional figure in the Product Data Sheet for details regarding the exposed thermal pad features and dimensions.
  - E. Falls within JEDEC MO-153

PowerPAD is a trademark of Texas Instruments.

## THERMAL PAD MECHANICAL DATA

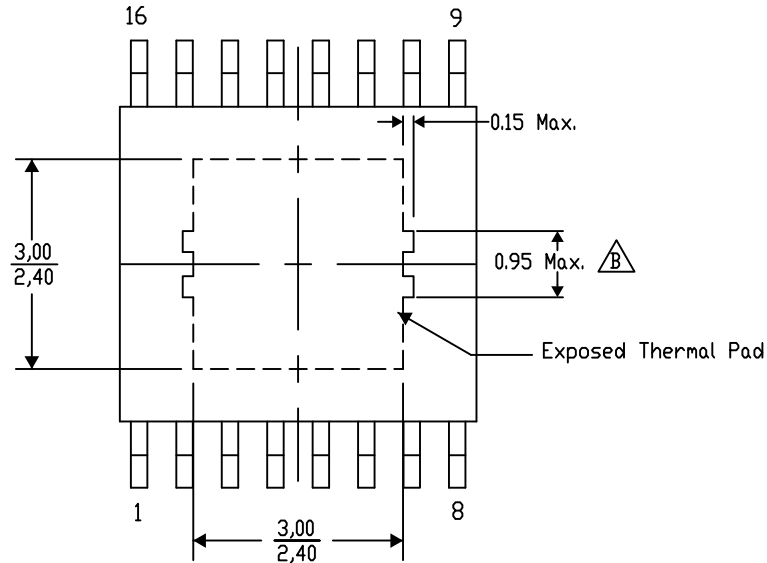
### PWP (R-PDSO-G16) PowerPAD™ SMALL PLASTIC OUTLINE

#### THERMAL INFORMATION

This PowerPAD™ package incorporates an exposed thermal pad that is designed to be attached to a printed circuit board (PCB). The thermal pad must be soldered directly to the PCB. After soldering, the PCB can be used as a heatsink. In addition, through the use of thermal vias, the thermal pad can be attached directly to the appropriate copper plane shown in the electrical schematic for the device, or alternatively, can be attached to a special heatsink structure designed into the PCB. This design optimizes the heat transfer from the integrated circuit (IC).

For additional information on the PowerPAD package and how to take advantage of its heat dissipating abilities, refer to Technical Brief, PowerPAD Thermally Enhanced Package, Texas Instruments Literature No. SLMA002 and Application Brief, PowerPAD Made Easy, Texas Instruments Literature No. SLMA004. Both documents are available at [www.ti.com](http://www.ti.com).

The exposed thermal pad dimensions for this package are shown in the following illustration.

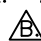


Top View

Exposed Thermal Pad Dimensions

4206332-8/AC 07/12

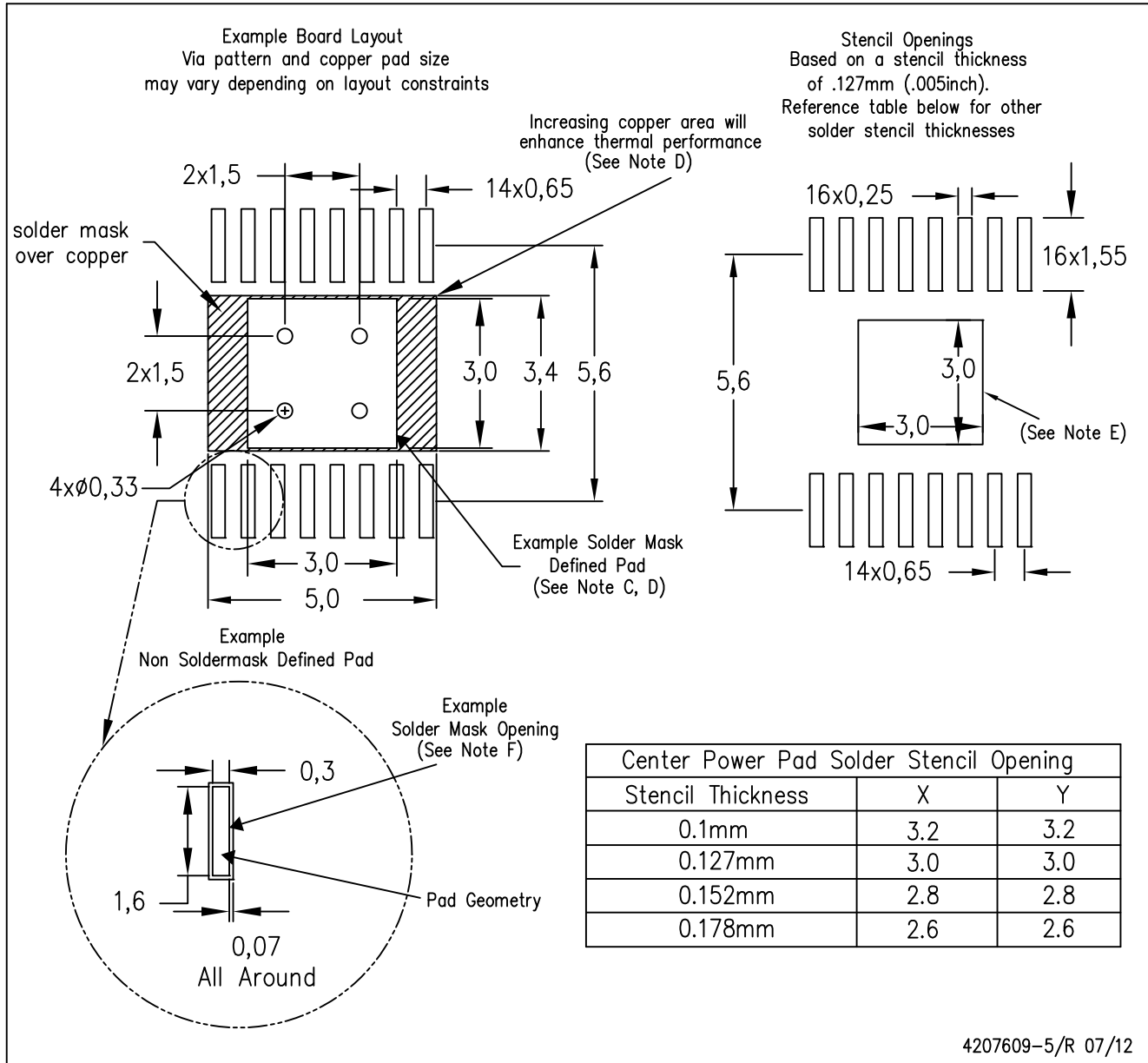
NOTE: A. All linear dimensions are in millimeters

 Exposed tie strap features may not be present.

PowerPAD is a trademark of Texas Instruments

PWP (R-PDSO-G16)

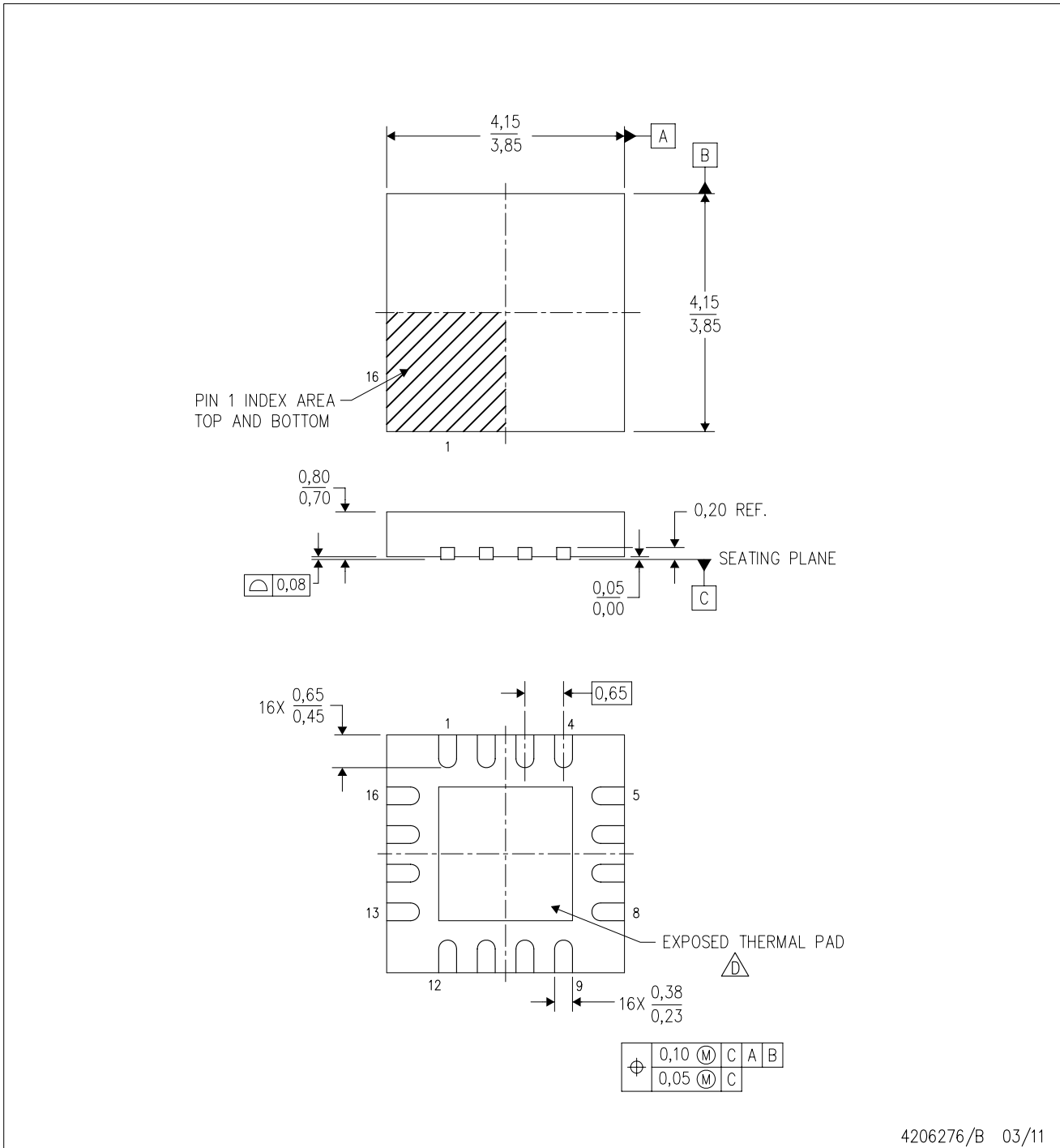
PowerPAD™ PLASTIC SMALL OUTLINE



- NOTES:
- A. All linear dimensions are in millimeters.
  - B. This drawing is subject to change without notice.
  - C. Customers should place a note on the circuit board fabrication drawing not to alter the center solder mask defined pad.
  - D. This package is designed to be soldered to a thermal pad on the board. Refer to Technical Brief, PowerPAD Thermally Enhanced Package, Texas Instruments Literature No. SLMA002, SLMA004, and also the Product Data Sheets for specific thermal information, via requirements, and recommended board layout. These documents are available at [www.ti.com](http://www.ti.com) <<http://www.ti.com>>. Publication IPC-7351 is recommended for alternate designs.
  - E. Laser cutting apertures with trapezoidal walls and also rounding corners will offer better paste release. Customers should contact their board assembly site for stencil design recommendations. Example stencil design based on a 50% volumetric metal load solder paste. Refer to IPC-7525 for other stencil recommendations.
  - F. Customers should contact their board fabrication site for solder mask tolerances between and around signal pads.

RTY (S-PWQFN-N16)

PLASTIC QUAD FLATPACK NO-LEAD



4206276/B 03/11

- NOTES:
- A. All linear dimensions are in millimeters. Dimensioning and tolerancing per ASME Y14.5-1994.
  - B. This drawing is subject to change without notice.
  - C. Quad Flatpack, No-leads (QFN) package configuration.
  - The package thermal pad must be soldered to the board for thermal and mechanical performance. See the Product Data Sheet for details regarding the exposed thermal pad dimensions.
  - E. Falls within JEDEC MO-220.



# THERMAL PAD MECHANICAL DATA

RTY (S-PWQFN-N16)

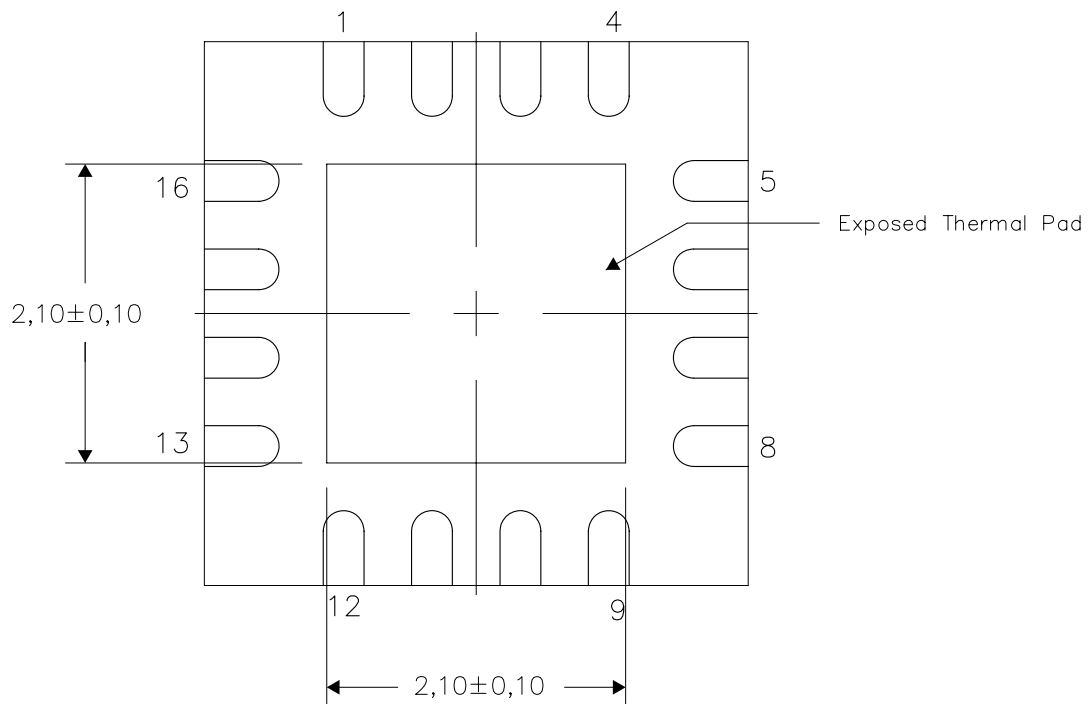
PLASTIC QUAD FLATPACK NO-LEAD

## THERMAL INFORMATION

This package incorporates an exposed thermal pad that is designed to be attached directly to an external heatsink. The thermal pad must be soldered directly to the printed circuit board (PCB). After soldering, the PCB can be used as a heatsink. In addition, through the use of thermal vias, the thermal pad can be attached directly to the appropriate copper plane shown in the electrical schematic for the device, or alternatively, can be attached to a special heatsink structure designed into the PCB. This design optimizes the heat transfer from the integrated circuit (IC).

For information on the Quad Flatpack No-Lead (QFN) package and its advantages, refer to Application Report, QFN/SON PCB Attachment, Texas Instruments Literature No. SLUA271. This document is available at [www.ti.com](http://www.ti.com).

The exposed thermal pad dimensions for this package are shown in the following illustration.

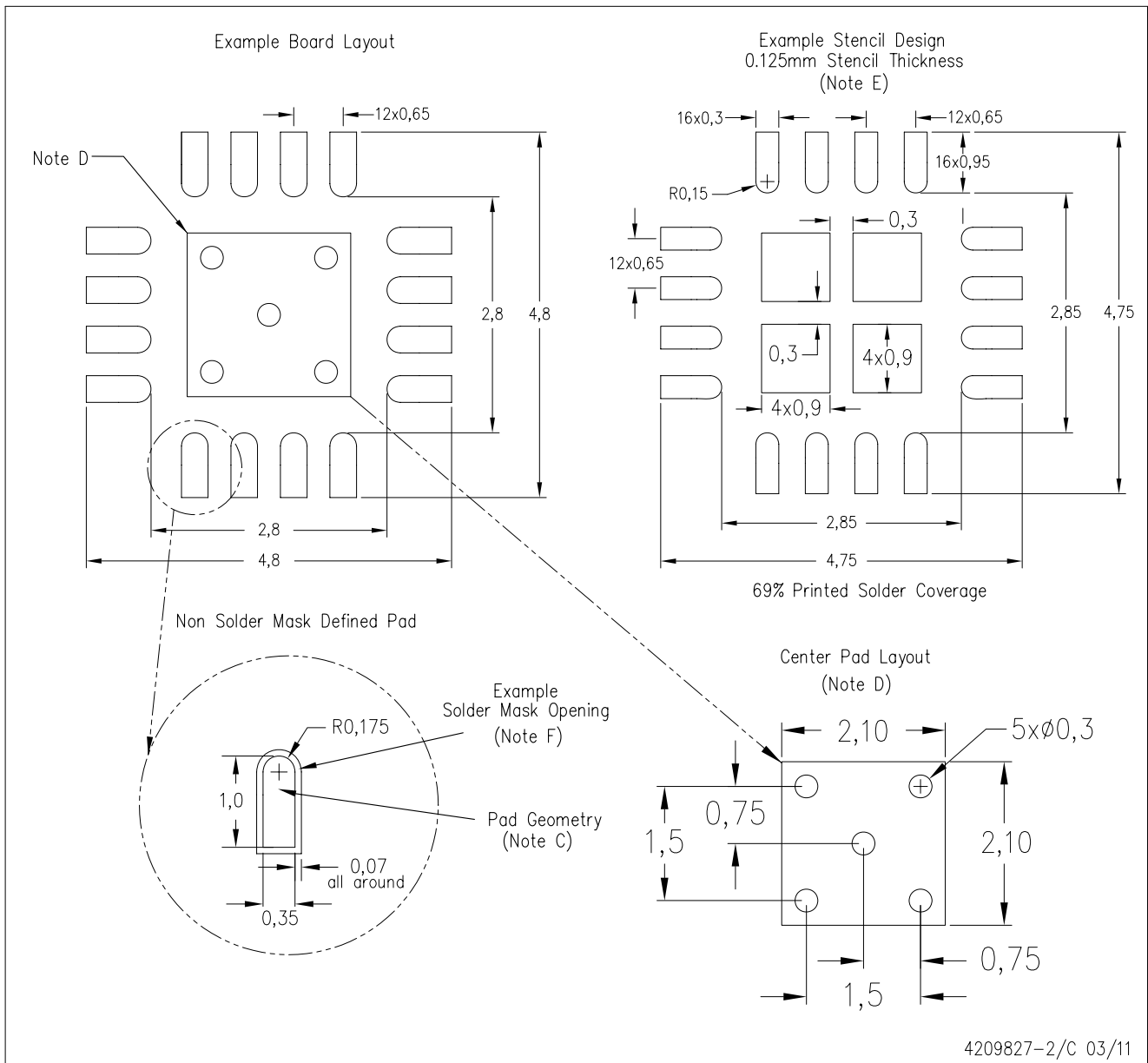


4206277-2/E 03/11

NOTE: A. All linear dimensions are in millimeters

RTY (S-PWQFN-N16)

PLASTIC QUAD FLATPACK NO-LEAD



- NOTES: A. All linear dimensions are in millimeter.  
 B. This drawing is subject to change without notice.  
 C. Publication IPC-7351 is recommended for alternate designs.  
 D. This package is designed to be soldered to a thermal pad on the board. Refer to Application Note, Quad Flat-Pack Packages, Texas Instruments Literature No. SLUA271, and also the Product Data Sheets for specific thermal information, via requirements, and recommended board layout. These documents are available at [www.ti.com](http://www.ti.com) <<http://www.ti.com>>.  
 E. Laser cutting apertures with trapezoidal walls and also rounding corners will offer better paste release. Customers should contact their board assembly site for stencil design recommendations. Refer to IPC 7525 for stencil design considerations.  
 F. Customers should contact their board fabrication site for solder mask tolerances.

## IMPORTANT NOTICE

Texas Instruments Incorporated and its subsidiaries (TI) reserve the right to make corrections, enhancements, improvements and other changes to its semiconductor products and services per JESD46C and to discontinue any product or service per JESD48B. Buyers should obtain the latest relevant information before placing orders and should verify that such information is current and complete. All semiconductor products (also referred to herein as "components") are sold subject to TI's terms and conditions of sale supplied at the time of order acknowledgment.

TI warrants performance of its components to the specifications applicable at the time of sale, in accordance with the warranty in TI's terms and conditions of sale of semiconductor products. Testing and other quality control techniques are used to the extent TI deems necessary to support this warranty. Except where mandated by applicable law, testing of all parameters of each component is not necessarily performed.

TI assumes no liability for applications assistance or the design of Buyers' products. Buyers are responsible for their products and applications using TI components. To minimize the risks associated with Buyers' products and applications, Buyers should provide adequate design and operating safeguards.

TI does not warrant or represent that any license, either express or implied, is granted under any patent right, copyright, mask work right, or other intellectual property right relating to any combination, machine, or process in which TI components or services are used. Information published by TI regarding third-party products or services does not constitute a license to use such products or services or a warranty or endorsement thereof. Use of such information may require a license from a third party under the patents or other intellectual property of the third party, or a license from TI under the patents or other intellectual property of TI.

Reproduction of significant portions of TI information in TI data books or data sheets is permissible only if reproduction is without alteration and is accompanied by all associated warranties, conditions, limitations, and notices. TI is not responsible or liable for such altered documentation. Information of third parties may be subject to additional restrictions.

Resale of TI components or services with statements different from or beyond the parameters stated by TI for that component or service voids all express and any implied warranties for the associated TI component or service and is an unfair and deceptive business practice. TI is not responsible or liable for any such statements.

Buyer acknowledges and agrees that it is solely responsible for compliance with all legal, regulatory and safety-related requirements concerning its products, and any use of TI components in its applications, notwithstanding any applications-related information or support that may be provided by TI. Buyer represents and agrees that it has all the necessary expertise to create and implement safeguards which anticipate dangerous consequences of failures, monitor failures and their consequences, lessen the likelihood of failures that might cause harm and take appropriate remedial actions. Buyer will fully indemnify TI and its representatives against any damages arising out of the use of any TI components in safety-critical applications.

In some cases, TI components may be promoted specifically to facilitate safety-related applications. With such components, TI's goal is to help enable customers to design and create their own end-product solutions that meet applicable functional safety standards and requirements. Nonetheless, such components are subject to these terms.

No TI components are authorized for use in FDA Class III (or similar life-critical medical equipment) unless authorized officers of the parties have executed a special agreement specifically governing such use.

Only those TI components which TI has specifically designated as military grade or "enhanced plastic" are designed and intended for use in military/aerospace applications or environments. Buyer acknowledges and agrees that any military or aerospace use of TI components which have **not** been so designated is solely at the Buyer's risk, and that Buyer is solely responsible for compliance with all legal and regulatory requirements in connection with such use.

TI has specifically designated certain components which meet ISO/TS16949 requirements, mainly for automotive use. Components which have not been so designated are neither designed nor intended for automotive use; and TI will not be responsible for any failure of such components to meet such requirements.

### Products

|                        |  |
|------------------------|--|
| Audio                  | <a href="http://www.ti.com/audio">www.ti.com/audio</a>                               |
| Amplifiers             | <a href="http://amplifier.ti.com">amplifier.ti.com</a>                               |
| Data Converters        | <a href="http://dataconverter.ti.com">dataconverter.ti.com</a>                       |
| DLP® Products          | <a href="http://www.dlp.com">www.dlp.com</a>   |
| DSP                    | <a href="http://dsp.ti.com">dsp.ti.com</a>   |
| Clocks and Timers      | <a href="http://www.ti.com/clocks">www.ti.com/clocks</a>                             |
| Interface              | <a href="http://interface.ti.com">interface.ti.com</a>                               |
| Logic                  | <a href="http://logic.ti.com">logic.ti.com</a>                                       |
| Power Mgmt             | <a href="http://power.ti.com">power.ti.com</a>                                       |
| Microcontrollers       | <a href="http://microcontroller.ti.com">microcontroller.ti.com</a>                   |
| RFID                   | <a href="http://www.ti-rfid.com">www.ti-rfid.com</a>                                 |
| OMAP Mobile Processors | <a href="http://www.ti.com/omap">www.ti.com/omap</a>                                 |
| Wireless Connectivity  | <a href="http://www.ti.com/wirelessconnectivity">www.ti.com/wirelessconnectivity</a> |

### Applications

|                               |  |
|-------------------------------|--|
| Automotive and Transportation | <a href="http://www.ti.com/automotive">www.ti.com/automotive</a>                         |
| Communications and Telecom    | <a href="http://www.ti.com/communications">www.ti.com/communications</a>                 |
| Computers and Peripherals     | <a href="http://www.ti.com/computers">www.ti.com/computers</a>                           |
| Consumer Electronics          | <a href="http://www.ti.com/consumer-apps">www.ti.com/consumer-apps</a>                   |
| Energy and Lighting           | <a href="http://www.ti.com/energy">www.ti.com/energy</a>                                 |
| Industrial                    | <a href="http://www.ti.com/industrial">www.ti.com/industrial</a>                         |
| Medical                       | <a href="http://www.ti.com/medical">www.ti.com/medical</a>                               |
| Security                      | <a href="http://www.ti.com/security">www.ti.com/security</a>                             |
| Space, Avionics and Defense   | <a href="http://www.ti.com/space-avionics-defense">www.ti.com/space-avionics-defense</a> |
| Video and Imaging             | <a href="http://www.ti.com/video">www.ti.com/video</a>                                   |

**TI E2E Community** [e2e.ti.com](http://e2e.ti.com)