

DP83849ID

DP83849ID PHYTER DUAL Industrial Temperature with Fiber Support (FX), Dual Port 10/100 Mb/s Ethernet Physical Layer Transceiver



Literature Number: SNOSAX2E

DP83849ID PHYTER® DUAL Industrial Temperature with Fiber Support (FX) Dual Port 10/100 Mb/s Ethernet Physical Layer Transceiver

General Description

The number of applications requiring Ethernet Connectivity continues to expand. Along with this increased market demand is a change in application requirements. Where single channel Ethernet used to be sufficient, many applications such as wireless remote base stations and industrial networking now require DUAL Port functionality for redundancy or system management.

The DP83849ID is a highly reliable, feature rich device perfectly suited for industrial applications enabling Ethernet on the factory floor. The DP83849ID features two fully independent 10/100 ports for multi-port applications.

The DP83849ID provides optimum flexibility in MPU selection by supporting both MII and RMII interfaces. The device also provides flexibility by supporting both copper and fiber media.

In addition this device includes a powerful new diagnostics tool to ensure initial network operation and maintenance. In addition to the TDR scheme, commonly used for detecting faults during installation, NATIONAL's innovative cable diagnostics provides for real time continuous monitoring of the link quality. This allows the system designer to implement a fault prediction mechanism to detect and warn of changing or deteriorating link conditions.

With the DP83849ID, National Semiconductor continues to build on its Ethernet expertise and leadership position by providing a powerful combination of features and flexibility, easing Ethernet implementation for the system designer.

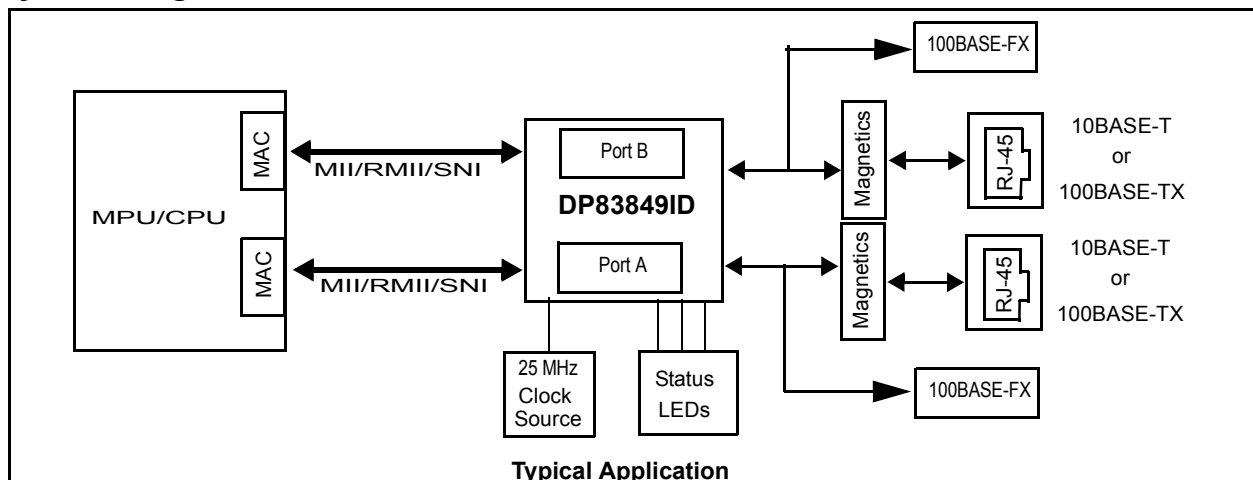
Features

- Low-power 3.3V, 0.18µm CMOS technology
- Low power consumption <600mW Typical
- 3.3V MAC Interface
- Auto-MDIX for 10/100 Mb/s
- Energy Detection Mode
- Dynamic Integrity Utility
- Dynamic Link Quality Monitoring
- TDR based Cable Diagnostic and Cable Length Detection
- Optimized Latency for Real Time Ethernet Operation
- Reference Clock out
- RMII Rev. 1.2 Interface (configurable)
- SNI Interface (configurable)
- MII Serial Management Interface (MDC and MDIO)
- IEEE 802.3u MII
- IEEE 802.3u Auto-Negotiation and Parallel Detection
- IEEE 802.3u ENDEC, 10BASE-T transceivers and filters
- IEEE 802.3u PCS, 100BASE-TX transceivers and filters
- IEEE 802.3u 100BASE-FX Fiber Interface
- IEEE 1149.1 JTAG
- Integrated ANSI X3.263 compliant TP-PMD physical sub-layer with adaptive equalization and Baseline Wander compensation
- Programmable LED support for Link, 10 /100 Mb/s Mode, Activity, Duplex and Collision Detect
- Single register access for complete PHY status
- 10/100 Mb/s packet BIST (Built in Self Test)
- 80-pin TQFP package (12mm x 12mm)

Applications

- Medical Instrumentation
- Factory Automation
- Motor & Motion Control
- Wireless Remote Base Station
- General Embedded Applications

System Diagram



PHYTER is a registered trademark of National Semiconductor Corporation

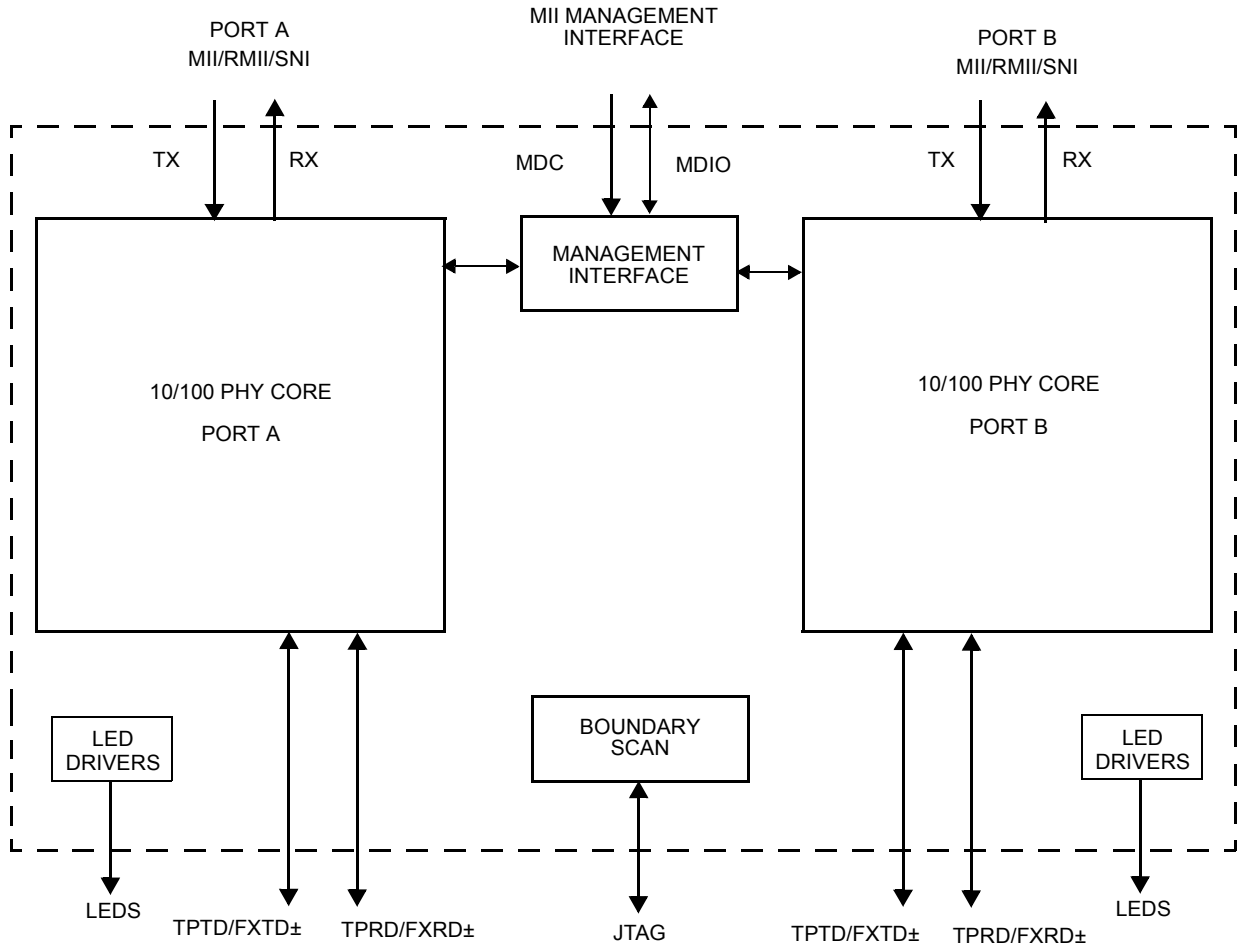


Figure 1. DP83849ID Functional Block Diagram

Table of Contents

| | |
|--|-----------|
| 1.0 Pin Descriptions | 9 |
| 1.1 Serial Management Interface | 9 |
| 1.2 MAC Data Interface | 9 |
| 1.3 Clock Interface | 11 |
| 1.4 LED Interface | 11 |
| 1.5 JTAG Interface | 12 |
| 1.6 Reset and Power Down | 12 |
| 1.7 Strap Options | 12 |
| 1.8 10 Mb/s and 100 Mb/s PMD Interface | 15 |
| 1.9 Special Connections | 15 |
| 1.10 Power Supply Pins | 15 |
| 1.11 Package Pin Assignments | 16 |
| 2.0 Configuration | 17 |
| 2.1 Media Configuration | 17 |
| 2.2 Auto-Negotiation | 17 |
| 2.2.1 Auto-Negotiation Pin Control | 17 |
| 2.2.2 Auto-Negotiation Register Control | 17 |
| 2.2.3 Auto-Negotiation Parallel Detection | 18 |
| 2.2.4 Auto-Negotiation Restart | 18 |
| 2.2.5 Enabling Auto-Negotiation via Software | 18 |
| 2.2.6 Auto-Negotiation Complete Time | 18 |
| 2.3 Auto-MDIX | 18 |
| 2.4 PHY Address | 18 |
| 2.4.1 MII Isolate Mode | 19 |
| 2.5 LED Interface | 20 |
| 2.5.1 LEDs | 20 |
| 2.5.2 LED Direct Control | 21 |
| 2.6 Half Duplex vs. Full Duplex | 21 |
| 2.7 Internal Loopback | 21 |
| 2.8 BIST | 21 |
| 3.0 MAC Interface | 22 |
| 3.1 MII Interface | 22 |
| 3.1.1 Nibble-wide MII Data Interface | 22 |
| 3.1.2 Collision Detect | 22 |
| 3.1.3 Carrier Sense | 22 |
| 3.2 Reduced MII Interface | 23 |
| 3.3 10 Mb Serial Network Interface (SNI) | 23 |
| 3.4 802.3u MII Serial Management Interface | 24 |
| 3.4.1 Serial Management Register Access | 24 |
| 3.4.2 Serial Management Access Protocol | 24 |
| 3.4.3 Serial Management Preamble Suppression | 25 |
| 3.4.4 Simultaneous Register Write | 25 |
| 4.0 Architecture | 26 |
| 4.1 100BASE-TX TRANSMITTER | 26 |
| 4.1.1 Code-group Encoding and Injection | 28 |
| 4.1.2 Scrambler | 28 |
| 4.1.3 NRZ to NRZI Encoder | 28 |
| 4.1.4 Binary to MLT-3 Convertor | 28 |
| 4.2 100BASE-TX RECEIVER | 28 |
| 4.2.1 Analog Front End | 28 |
| 4.2.2 Digital Signal Processor | 28 |
| 4.2.2.1 Digital Adaptive Equalization and Gain Control | 30 |
| 4.2.2.2 Base Line Wander Compensation | 31 |
| 4.2.3 Signal Detect | 31 |
| 4.2.4 MLT-3 to NRZI Decoder | 31 |
| 4.2.5 NRZI to NRZ | 31 |
| 4.2.6 Serial to Parallel | 31 |

| | | |
|------------|---|-----------|
| 4.2.7 | Descrambler | 32 |
| 4.2.8 | Code-group Alignment | 32 |
| 4.2.9 | 4B/5B Decoder | 32 |
| 4.2.10 | 100BASE-TX Link Integrity Monitor | 32 |
| 4.2.11 | Bad SSD Detection | 32 |
| 4.3 | 100BASE-FX Operation | 32 |
| 4.3.1 | 100BASE-FX Transmit | 32 |
| 4.3.2 | 100BASE-FX Receive | 32 |
| 4.3.3 | Far-End Fault | 33 |
| 4.4 | 10BASE-T TRANSCEIVER MODULE | 33 |
| 4.4.1 | Operational Modes | 33 |
| 4.4.2 | Smart Squelch | 33 |
| 4.4.3 | Collision Detection and SQE | 34 |
| 4.4.4 | Carrier Sense | 34 |
| 4.4.5 | Normal Link Pulse Detection/Generation | 34 |
| 4.4.6 | Jabber Function | 34 |
| 4.4.7 | Automatic Link Polarity Detection and Correction | 34 |
| 4.4.8 | Transmit and Receive Filtering | 34 |
| 4.4.9 | Transmitter | 34 |
| 4.4.10 | Receiver | 34 |
| 5.0 | Design Guidelines | 35 |
| 5.1 | TPI Network Circuit | 35 |
| 5.2 | Fiber Network Circuit | 36 |
| 5.3 | ESD Protection | 37 |
| 5.4 | Clock In (X1) Requirements | 37 |
| 5.5 | Power Feedback Circuit | 38 |
| 5.6 | Power Down/Interrupt | 39 |
| 5.6.1 | Power Down Control Mode | 39 |
| 5.6.2 | Interrupt Mechanisms | 39 |
| 5.7 | Energy Detect Mode | 39 |
| 5.8 | Link Diagnostic Capabilities | 39 |
| 5.8.1 | Linked Cable Status | 39 |
| 5.8.1.1 | Polarity Reversal | 39 |
| 5.8.1.2 | Cable Swap Indication | 39 |
| 5.8.1.3 | 100MB Cable Length Estimation | 40 |
| 5.8.1.4 | Frequency Offset Relative to Link Partner | 40 |
| 5.8.1.5 | Cable Signal Quality Estimation | 40 |
| 5.8.2 | Link Quality Monitor | 40 |
| 5.8.2.1 | Link Quality Monitor Control and Status | 40 |
| 5.8.2.2 | Checking Current Parameter Values | 40 |
| 5.8.2.3 | Threshold Control | 40 |
| 5.8.3 | TDR Cable Diagnostics | 41 |
| 5.8.3.1 | TDR Pulse Generator | 41 |
| 5.8.3.2 | TDR Pulse Monitor | 41 |
| 5.8.3.3 | TDR Control Interface | 41 |
| 5.8.3.4 | TDR Results | 42 |
| 6.0 | Reset Operation | 43 |
| 6.1 | Hardware Reset | 43 |
| 6.2 | Full Software Reset | 43 |
| 6.3 | Soft Reset | 43 |
| 7.0 | Register Block | 44 |
| 7.1 | Register Definition | 48 |
| 7.1.1 | Basic Mode Control Register (BMCR) | 49 |
| 7.1.2 | Basic Mode Status Register (BMSR) | 51 |
| 7.1.3 | PHY Identifier Register #1 (PHYIDR1) | 52 |
| 7.1.4 | PHY Identifier Register #2 (PHYIDR2) | 52 |
| 7.1.5 | Auto-Negotiation Advertisement Register (ANAR) | 52 |
| 7.1.6 | Auto-Negotiation Link Partner Ability Register (ANLPAR) (BASE Page) | 54 |
| 7.1.7 | Auto-Negotiation Link Partner Ability Register (ANLPAR) (Next Page) | 55 |
| 7.1.8 | Auto-Negotiate Expansion Register (ANER) | 56 |

| | | |
|------------|---|-----------|
| 7.1.9 | Auto-Negotiation Next Page Transmit Register (ANNPTR) | 57 |
| 7.1.10 | PHY Status Register (PHYSTS) | 58 |
| 7.1.11 | MII Interrupt Control Register (MICR) | 60 |
| 7.1.12 | MII Interrupt Status and Misc. Control Register (MISR) | 60 |
| 7.1.13 | Page Select Register (PAGESEL) | 61 |
| 7.2 | Extended Registers - Page 0 | 62 |
| 7.2.1 | False Carrier Sense Counter Register (FCSCR) | 62 |
| 7.2.2 | Receiver Error Counter Register (RECR) | 62 |
| 7.2.3 | 100 Mb/s PCS Configuration and Status Register (PCSR) | 62 |
| 7.2.4 | RMII and Bypass Register (RBR) | 64 |
| 7.2.5 | LED Direct Control Register (LEDCR) | 65 |
| 7.2.6 | PHY Control Register (PHYCR) | 66 |
| 7.2.7 | 10 Base-T Status/Control Register (10BTSCR) | 67 |
| 7.2.8 | CD Test and BIST Extensions Register (CDCTRL1) | 69 |
| 7.2.9 | Phy Control Register 2 (PHYCR2) | 69 |
| 7.2.10 | Energy Detect Control (EDCR) | 70 |
| 7.3 | Link Diagnostics Registers - Page 2 | 71 |
| 7.3.1 | 100Mb Length Detect Register (LEN100_DET), Page 2, address 14h | 71 |
| 7.3.2 | 100Mb Frequency Offset Indication Register (FREQ100), Page 2, address 15h | 71 |
| 7.3.3 | TDR Control Register (TDR_CTRL), Page 2, address 16h | 72 |
| 7.3.4 | TDR Window Register (TDR_WIN), Page 2, address 17h | 73 |
| 7.3.5 | TDR Peak Register (TDR_PEAK), Page 2, address 18h | 73 |
| 7.3.6 | TDR Threshold Register (TDR_THR), Page 2, address 19h | 73 |
| 7.3.7 | Variance Control Register (VAR_CTRL), Page 2, address 1Ah | 74 |
| 7.3.8 | Variance Data Register (VAR_DATA), Page 2, address 1Bh | 74 |
| 7.3.9 | Link Quality Monitor Register (LQMR), Page 2, address 1Dh | 75 |
| 7.3.10 | Link Quality Data Register (LQDR), Page 2 | 76 |
| 8.0 | Electrical Specifications | 77 |
| 8.1 | DC Specs | 77 |
| 8.2 | AC Specs | 79 |
| 8.2.1 | Power Up Timing | 79 |
| 8.2.2 | Reset Timing | 80 |
| 8.2.3 | MII Serial Management Timing | 81 |
| 8.2.4 | 100 Mb/s MII Transmit Timing | 81 |
| 8.2.5 | 100 Mb/s MII Receive Timing | 82 |
| 8.2.6 | 100BASE-TX and 100BASE-FX MII Transmit Packet Latency Timing | 82 |
| 8.2.7 | 100BASE-TX and 100BASE-FX MII Transmit Packet Deassertion Timing | 83 |
| 8.2.8 | 100BASE-TX Transmit Timing (tR/F & Jitter) | 84 |
| 8.2.9 | 100BASE-TX and 100BASE-FX MII Receive Packet Latency Timing | 85 |
| 8.2.10 | 100BASE-TX and 100BASE-FX MII Receive Packet Deassertion Timing | 85 |
| 8.2.11 | 10 Mb/s MII Transmit Timing | 86 |
| 8.2.12 | 10 Mb/s MII Receive Timing | 86 |
| 8.2.13 | 10 Mb/s Serial Mode Transmit Timing | 87 |
| 8.2.14 | 10 Mb/s Serial Mode Receive Timing | 87 |
| 8.2.15 | 10BASE-T Transmit Timing (Start of Packet) | 88 |
| 8.2.16 | 10BASE-T Transmit Timing (End of Packet) | 88 |
| 8.2.17 | 10BASE-T Receive Timing (Start of Packet) | 89 |
| 8.2.18 | 10BASE-T Receive Timing (End of Packet) | 89 |
| 8.2.19 | 10 Mb/s Heartbeat Timing | 90 |
| 8.2.20 | 10 Mb/s Jabber Timing | 90 |
| 8.2.21 | 10BASE-T Normal Link Pulse Timing | 91 |
| 8.2.22 | Auto-Negotiation Fast Link Pulse (FLP) Timing | 91 |
| 8.2.23 | 100BASE-TX Signal Detect Timing | 92 |
| 8.2.24 | 100 Mb/s Internal Loopback Timing | 92 |
| 8.2.25 | 10 Mb/s Internal Loopback Timing | 93 |
| 8.2.26 | RMII Transmit Timing | 94 |
| 8.2.27 | RMII Receive Timing | 95 |
| 8.2.28 | Isolation Timing | 96 |
| 8.2.29 | CLK2MAC Timing | 96 |
| 8.2.30 | 100 Mb/s X1 to TX_CLK Timing | 97 |
| 9.0 | Physical Dimensions | 98 |

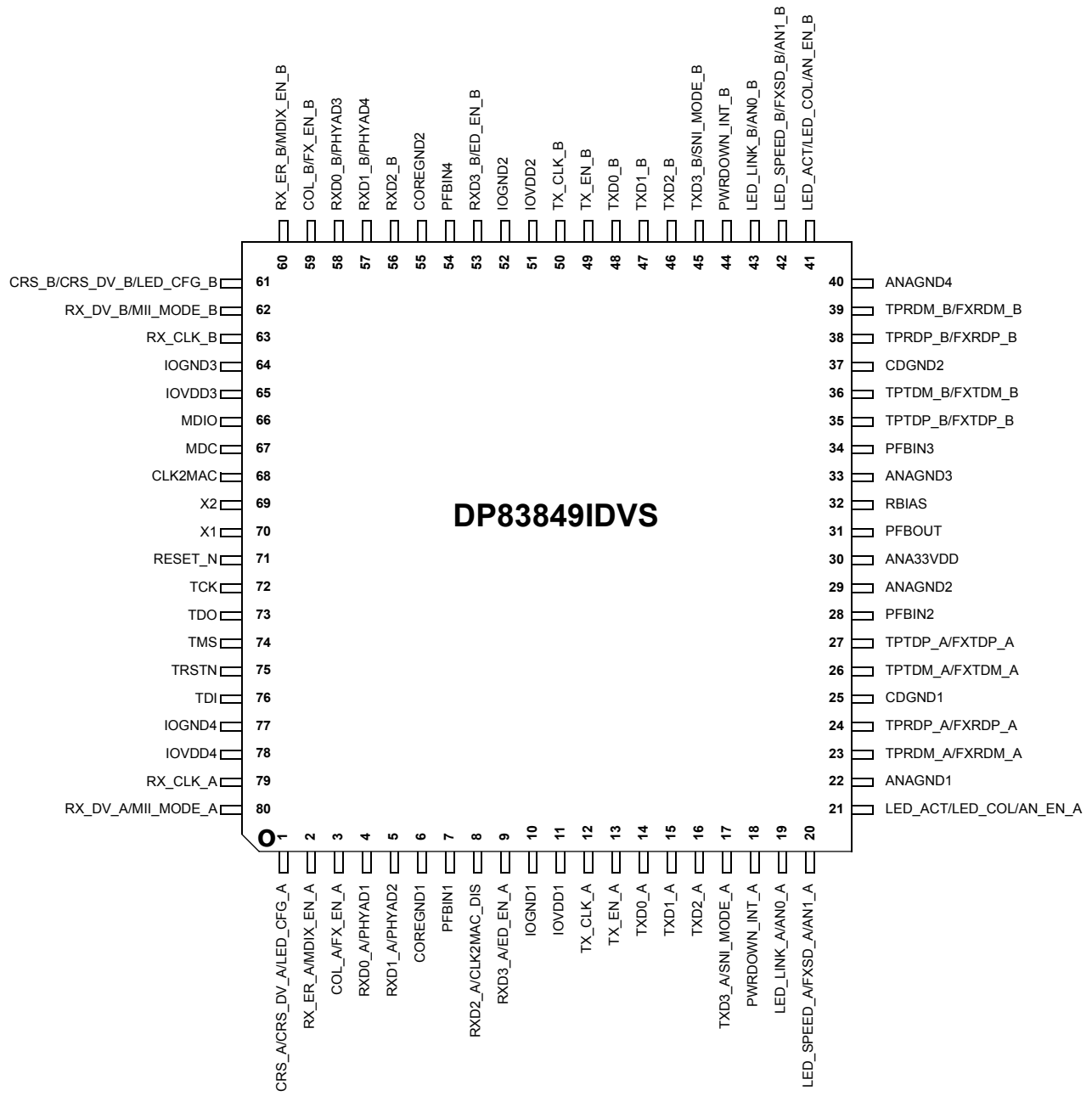
List of Figures

| | |
|---|----|
| Figure 1. DP83849ID Functional Block Diagram | 2 |
| Figure 2. PHYAD Strapping Example | 19 |
| Figure 3. AN Strapping and LED Loading Example | 21 |
| Figure 4. Typical MDC/MDIO Read Operation | 24 |
| Figure 5. Typical MDC/MDIO Write Operation | 25 |
| Figure 6. 100BASE-TX Transmit Block Diagram | 26 |
| Figure 7. 100BASE-TX Receive Block Diagram | 29 |
| Figure 9. EIA/TIA Attenuation vs. Frequency for 0, 50, 100, 130 & 150 meters of CAT 5 cable | 30 |
| Figure 10. 100BASE-TX BLW Event | 31 |
| Figure 11. 10BASE-T Twisted Pair Smart Squelch Operation | 33 |
| Figure 12. 10/100 Mb/s Twisted Pair Interface | 35 |
| Figure 13. 100 Mb/s Fiber Pair Interface | 36 |
| Figure 14. Crystal Oscillator Circuit | 37 |
| Figure 15. Power Feedback Connection | 38 |

List of Tables

| | |
|--|----|
| Table 1. Auto-Negotiation Modes | 17 |
| Table 2. PHY Address Mapping | 18 |
| Table 3. LED Mode Select | 20 |
| Table 4. Supported packet sizes at +/-50ppm frequency accuracy | 23 |
| Table 5. Typical MDIO Frame Format | 24 |
| Table 13. 4B5B Code-Group Encoding/Decoding | 27 |
| Table 14. 25 MHz Oscillator Specification | 37 |
| Table 15. 50 MHz Oscillator Specification | 38 |
| Table 16. 25 MHz Crystal Specification | 38 |
| Table 17. Link Quality Monitor Parameter Ranges | 41 |
| Table 18. Register Map | 44 |
| Table 19. Register Table | 45 |
| Table 20. Basic Mode Control Register (BMCR), address 00h | 49 |
| Table 21. Basic Mode Status Register (BMSR), address 01h | 51 |
| Table 22. PHY Identifier Register #1 (PHYIDR1), address 02h | 52 |
| Table 23. PHY Identifier Register #2 (PHYIDR2), address 03h | 52 |
| Table 24. Negotiation Advertisement Register (ANAR), address 04h | 52 |
| Table 25. Auto-Negotiation Link Partner Ability Register (ANLPAR) (BASE Page), address 05h | 54 |
| Table 26. Auto-Negotiation Link Partner Ability Register (ANLPAR) (Next Page), address 05h | 55 |
| Table 27. Auto-Negotiate Expansion Register (ANER), address 06h | 56 |
| Table 28. Auto-Negotiation Next Page Transmit Register (ANNPTR), address 07h | 57 |
| Table 29. PHY Status Register (PHYSTS), address 10h | 58 |
| Table 30. MII Interrupt Control Register (MICR), address 11h | 60 |
| Table 31. MII Interrupt Status and Misc. Control Register (MISR), address 12h | 60 |
| Table 32. Page Select Register (PAGESEL), address 13h | 61 |
| Table 33. False Carrier Sense Counter Register (FCSCR), address 14h | 62 |
| Table 34. Receiver Error Counter Register (RECR), address 15h | 62 |
| Table 35. 100 Mb/s PCS Configuration and Status Register (PCSR), address 16h | 62 |
| Table 36. RMIIL and Bypass Register (RBR), addresses 17h | 64 |
| Table 37. LED Direct Control Register (LEDCR), address 18h | 65 |
| Table 38. PHY Control Register (PHYCR), address 19h | 66 |
| Table 39. 10Base-T Status/Control Register (10BTSCR), address 1Ah | 67 |
| Table 40. CD Test and BIST Extensions Register (CDCTRL1), address 1Bh | 69 |
| Table 41. Phy Control Register 2 (PHYCR2), address 1Ch | 69 |
| Table 42. Energy Detect Control (EDCR), address 1Dh | 70 |
| Table 43. 100Mb Length Detect Register (LEN100_DET), address 14h | 71 |
| Table 44. 100Mb Frequency Offset Indication Register (FREQ100), address 15h | 71 |
| Table 45. TDR Control Register (TDR_CTRL), address 16h | 72 |
| Table 46. TDR Window Register (TDR_WIN), address 17h | 73 |
| Table 47. TDR Peak Register (TDR_PEAK), address 18h | 73 |
| Table 48. TDR Threshold Register (TDR_THR), address 19h | 73 |
| Table 49. Variance Control Register (VAR_CTRL), address 1Ah | 74 |
| Table 50. Variance Data Register (VAR_DATA), address 1Bh | 74 |
| Table 51. Link Quality Monitor Register (LQMR), address 1Dh | 75 |
| Table 52. Link Quality Data Register (LQDR), address 1Eh | 76 |

Pin Layout



Top View
NS Package Number VHB80A

1.0 Pin Descriptions

The DP83849ID pins are classified into the following interface categories (each interface is described in the sections that follow):

- Serial Management Interface
- MAC Data Interface
- Clock Interface
- LED Interface
- JTAG Interface
- Reset and Power Down
- Strap Options
- 10/100 Mb/s PMD Interface
- Special Connect Pins
- Power and Ground pins

Note: Strapping pin option. Please see Section 1.7 for strap definitions.

All DP83849ID signal pins are I/O cells regardless of the particular use. The definitions below define the functionality of the I/O cells for each pin.

Type: I Input

Type: O Output

Type: I/O Input/Output

Type OD Open Drain

Type: PD,PU Internal Pulldown/Pullup

Type: S Strapping Pin (All strap pins have weak internal pull-ups or pull-downs. If the default strap value is to be changed then an external 2.2 kΩ resistor should be used. Please see Section 1.7 for details.)

1.1 Serial Management Interface

| Signal Name | Type | Pin # | Description |
|-------------|------|-------|--|
| MDC | I | 67 | MANAGEMENT DATA CLOCK: Synchronous clock to the MDIO management data input/output serial interface which may be asynchronous to transmit and receive clocks. The maximum clock rate is 25 MHz with no minimum clock rate. |
| MDIO | I/O | 66 | MANAGEMENT DATA I/O: Bi-directional management instruction/data signal that may be sourced by the station management entity or the PHY. This pin requires a 1.5 kΩ pullup resistor. |

1.2 MAC Data Interface

| Signal Name | Type | Pin # | Description |
|--------------------------|------|----------------------------|---|
| TX_CLK_A TX_CLK_B | O | 12 50 | MII TRANSMIT CLOCK: 25 MHz Transmit clock output in 100 Mb/s mode or 2.5 MHz in 10 Mb/s mode derived from the 25 MHz reference clock. Unused in RMII mode. The device uses the X1 reference clock input as the 50 MHz reference for both transmit and receive. SNI TRANSMIT CLOCK: 10 MHz Transmit clock output in 10 Mb SNI mode. The MAC should source TX_EN and TXD_0 using this clock. |
| TX_EN_A TX_EN_B | I | 13 49 | MII TRANSMIT ENABLE: Active high input indicates the presence of valid data inputs on TXD[3:0]. RMII TRANSMIT ENABLE: Active high input indicates the presence of valid data on TXD[1:0]. SNI TRANSMIT ENABLE: Active high input indicates the presence of valid data on TXD_0. |
| TXD[3:0]_A TXD[3:0]_B | I | 17,16,15,14 45,46,47,48 | MII TRANSMIT DATA: Transmit data MII input pins, TXD[3:0], that accept data synchronous to the TX_CLK (2.5 MHz in 10 Mb/s mode or 25 MHz in 100 Mb/s mode). RMII TRANSMIT DATA: Transmit data RMII input pins, TXD[1:0], that accept data synchronous to the 50 MHz reference clock. SNI TRANSMIT DATA: Transmit data SNI input pin, TXD_0, that accept data synchronous to the TX_CLK (10 MHz in 10 Mb/s SNI mode). |

| Signal Name | Type | Pin # | Description |
|----------------------------------|------|------------------------|--|
| RX_CLK_A RX_CLK_B | O | 79 63 | <p>MII RECEIVE CLOCK: Provides the 25 MHz recovered receive clocks for 100 Mb/s mode and 2.5 MHz for 10 Mb/s mode.</p> <p>Unused in RMI mode. The device uses the X1 reference clock input as the 50 MHz reference for both transmit and receive.</p> <p>SNI RECEIVE CLOCK: Provides the 10 MHz recovered receive clocks for 10 Mb/s SNI mode.</p> |
| RX_DV_A RX_DV_B | O | 80 62 | <p>MII RECEIVE DATA VALID: Asserted high to indicate that valid data is present on the corresponding RXD[3:0].</p> <p>RMII RECEIVE DATA VALID: Asserted high to indicate that valid data is present on the corresponding RXD[1:0]. This signal is not required in RMI mode, since CRS_DV includes the RX_DV signal, but is provided to allow simpler recovery of the Receive data.</p> <p>This pin is not used in SNI mode.</p> |
| RX_ER_A RX_ER_B | O | 2 60 | <p>MII RECEIVE ERROR: Asserted high synchronously to RX_CLK to indicate that an invalid symbol has been detected within a received packet in 100 Mb/s mode.</p> <p>RMII RECEIVE ERROR: Asserted high synchronously to X1 whenever an invalid symbol is detected, and CRS_DV is asserted in 100 Mb/s mode. This pin is also asserted on detection of a False Carrier event. This pin is not required to be used by a MAC in RMI mode, since the Phy is required to corrupt data on a receive error.</p> <p>This pin is not used in SNI mode.</p> |
| RXD[3:0]_A RXD[3:0]_B | O | 9,8,5,4 53,56,57,58 | <p>MII RECEIVE DATA: Nibble wide receive data signals driven synchronously to the RX_CLK, 25 MHz for 100 Mb/s mode, 2.5 MHz for 10 Mb/s mode). RXD[3:0] signals contain valid data when RX_DV is asserted.</p> <p>RMII RECEIVE DATA: 2-bits receive data signals, RXD[1:0], driven synchronously to the X1 clock, 50 MHz.</p> <p>SNI RECEIVE DATA: Receive data signal, RXD_0, driven synchronously to the RX_CLK. RXD_0 contains valid data when CRS is asserted. RXD[3:1] are not used in this mode.</p> |
| CRS_A/CRS_DV_A CRS_B/CRS_DV_B | O | 1 61 | <p>MII CARRIER SENSE: Asserted high to indicate the receive medium is non-idle.</p> <p>RMII CARRIER SENSE/RECEIVE DATA VALID: This signal combines the RMII Carrier and Receive Data Valid indications. For a detailed description of this signal, see the RMII Specification.</p> <p>SNI CARRIER SENSE: Asserted high to indicate the receive medium is non-idle. It is used to frame valid receive data on the RXD_0 signal.</p> |
| COL_A COL_B | O | 3 59 | <p>MII COLLISION DETECT: Asserted high to indicate detection of a collision condition (simultaneous transmit and receive activity) in 10 Mb/s and 100 Mb/s Half Duplex Modes.</p> <p>While in 10BASE-T Half Duplex mode with heartbeat enabled this pin is also asserted for a duration of approximately 1μs at the end of transmission to indicate heartbeat (SQE test).</p> <p>In Full Duplex Mode, for 10 Mb/s or 100 Mb/s operation, this signal is always logic 0. There is no heartbeat function during 10 Mb/s full duplex operation.</p> <p>RMII COLLISION DETECT: Per the RMII Specification, no COL signal is required. The MAC will recover CRS from the CRS_DV signal and use that along with its TX_EN signal to determine collision.</p> <p>SNI COLLISION DETECT: Asserted high to indicate detection of a collision condition (simultaneous transmit and receive activity) in 10 Mb/s SNI mode.</p> |

1.3 Clock Interface

| Signal Name | Type | Pin # | Description |
|-------------|------|-------|--|
| X1 | I | 70 | <p>CRYSTAL/OSCILLATOR INPUT: This pin is the primary clock reference input for the DP83849ID and must be connected to a 25 MHz 0.005% (± 50 ppm) clock source. The DP83849ID supports either an external crystal resonator connected across pins X1 and X2, or an external CMOS-level oscillator source connected to pin X1 only.</p> <p>RMII REFERENCE CLOCK: This pin is the primary clock reference input for the RMII mode and must be connected to a 50 MHz 0.005% (± 50 ppm) CMOS-level oscillator source.</p> |
| X2 | O | 69 | <p>CRYSTAL OUTPUT: This pin is the primary clock reference output to connect to an external 25 MHz crystal resonator device. This pin must be left unconnected if an external CMOS oscillator clock source is used.</p> |
| CLK2MAC | O | 68 | <p>CLOCK TO MAC:</p> <p>In MII mode, this pin provides a 25 MHz clock output to the system.</p> <p>In RMII mode, this pin provides a 50 MHz clock output to the system.</p> <p>This allows other devices to use the reference clock from the DP83849ID without requiring additional clock sources.</p> <p>If the system does not require the CLK2MAC signal, the CLK2MAC output should be disabled via the CLK2MAC disable strap.</p> |

1.4 LED Interface

The DP83849ID supports three configurable LED pins. The LEDs support two operational modes which are selected by the LED mode strap and a third operational mode which

is register configurable. The definitions for the LEDs for each mode are detailed below. Since the LEDs are also used as strap options, the polarity of the LED output is dependent on whether the pin is pulled up or down.

| Signal Name | Type | Pin # | Description |
|--|------|----------|---|
| LED_LINK_A LED_LINK_B | I/O | 19 43 | <p>LINK LED: In Mode 1, this pin indicates the status of the LINK. The LED will be ON when Link is good.</p> <p>LINK/ACT LED: In Mode 2 and Mode 3, this pin indicates transmit and receive activity in addition to the status of the Link. The LED will be ON when Link is good. It will blink when the transmitter or receiver is active.</p> |
| LED_SPEED_A LED_SPEED_B | I/O | 20 42 | <p>SPEED LED: The LED is ON when device is in 100 Mb/s and OFF when in 10 Mb/s. Functionality of this LED is independent of mode selected.</p> |
| LED_ACT/LED_COL_A LED_ACT/LED_COL_B | I/O | 21 41 | <p>ACTIVITY LED: In Mode 1, this pin is the Activity LED which is ON when activity is present on either Transmit or Receive.</p> <p>COLLISION/DUPLEX LED: In Mode 2, this pin by default indicates Collision detection. For Mode 3, this LED output may be programmed to indicate Full-duplex status instead of Collision.</p> |

1.5 JTAG Interface

| Signal Name | Type | Pin # | Description |
|-------------|-------|-------|--|
| TCK | I, PU | 72 | TEST CLOCK This pin has a weak internal pullup. |
| TDO | O | 73 | TEST OUTPUT |
| TMS | I, PU | 74 | TEST MODE SELECT This pin has a weak internal pullup. |
| TRSTN | I, PU | 75 | TEST RESET Active low test reset. This pin has a weak internal pullup. |
| TDI | I, PU | 76 | TEST DATA INPUT This pin has a weak internal pullup. |

1.6 Reset and Power Down

| Signal Name | Type | Pin # | Description |
|--------------------------------|-------|----------|---|
| RESET_N | I, PU | 71 | RESET: Active Low input that initializes or re-initializes the DP83849ID. Asserting this pin low for at least 1 μ s will force a re-set process to occur. All internal registers will re-initialize to their default states as specified for each bit in the Register Block section. All strap options are re-initialized as well. |
| PWRDOWN_INT_A PWRDOWN_INT_B | I, PU | 18 44 | The default function of this pin is POWER DOWN. POWER DOWN: The pin is an active low input in this mode and should be asserted low to put the device in a Power Down mode. INTERRUPT: The pin is an open drain output in this mode and will be asserted low when an interrupt condition occurs. Although the pin has a weak internal pull-up, some applications may require an external pull-up resistor. Register access is required for the pin to be used as an interrupt mechanism. See Section 5.6.2 Interrupt Mechanism for more details on the interrupt mechanisms. |

1.7 Strap Options

The DP83849ID uses many of the functional pins as strap options. The values of these pins are sampled during reset and used to strap the device into specific modes of operation. The strap option pin assignments are defined below. The functional pin name is indicated in parentheses.

A 2.2 k Ω resistor should be used for pull-down or pull-up to change the default strap option. If the default option is required, then there is no need for external pull-up or pull down resistors. Since these pins may have alternate functions after reset is deasserted, they should not be connected directly to VCC or GND.f

| Signal Name | Type | Pin # | Description |
|-----------------|----------|-------|--|
| PHYAD1 (RXD0_A) | S, O, PD | 4 | PHY ADDRESS [4:1]: The DP83849ID provides four PHY address pins, the state of which are latched into the PHYCTRL register at system Hardware-Reset. Phy Address[0] selects between ports A and B. The DP83849ID supports PHY Address strapping for Port A even values 0 (<0000_0>) through 30 (<1111_0>). Port B will be strapped to odd values 1 (<0000_1>) through 31 (<1111_1>). PHYAD[4:1] pins have weak internal pull-down resistors. |
| PHYAD2 (RXD1_A) | S, O, PD | 5 | |
| PHYAD3 (RXD0_B) | S, O, PD | 58 | |
| PHYAD4 (RXD1_B) | S, O, PD | 57 | |

| Signal Name | Type | Pin # | Description | | | | | | | | | | | | | | | | | | | | | | | | | | | | | | | | | | | | | | | | | | | | | | | | | | | | | | | | | | | | |
|------------------------------------|----------|---------|--|--|----------------------------|-----|-----|-------------|---|---|---|---|-----------------------|---|---|---|---|-----------------------|---|---|---|---|-------------------------|---|---|---|---|-------------------------|---|---|---|---|-------------------------|---|---|---|---|-------------------------|-------|-------|-----|-----|-----------------|---|---|---|---|----------------------------|---|---|---|---|------------------------------|---|---|---|---|---|---|---|---|---|--|
| FX_EN_A (COL_A) FX_EN_B (COL_B) | S, I, PD | 3 59 | <p>FX ENABLE: Default is to disable 100BASE-FX (Fiber) mode. This strapping option enables 100BASE-FX. An external pull-up will enable 100BASE-FX mode.</p> <p>Auto-Negotiation Enable: When high, this enables Auto-Negotiation with the capability set by AN0 and AN1 pins. When low, this puts the part into Forced Mode with the capability set by AN0 and AN1 pins.</p> <p>AN0 / AN1: These input pins control the forced or advertised operating mode of the DP83849ID according to the following table. The value on these pins is set by connecting the input pins to GND (0) or V_{CC} (1) through 2.2 kΩ resistors. These pins should NEVER be connected directly to GND or VCC.</p> <p>Fiber Mode Duplex Selection: If Fiber mode is strapped using the FX_EN pin, the AN0 strap value is used to select Half or Full Duplex. AN_EN and AN1 are ignored if FX_EN is asserted, since Fiber mode is 100Mb only and does not support Auto-Negotiation.</p> <p>The value set at this input is latched into the DP83849ID at Hardware-Reset.</p> <p>The float/pull-down status of these pins are latched into the Basic Mode Control Register and the Auto_Negotiation Advertisement Register during Hardware-Reset.</p> <p>The default is 0111 since the FX_EN pin has an internal pull-down and the Auto-Negotiation pins have internal pull-ups.</p> <table border="1" style="margin: 10px auto;"> <thead> <tr> <th>FX_EN</th> <th>AN_EN</th> <th>AN1</th> <th>AN0</th> <th>Forced Mode</th> </tr> </thead> <tbody> <tr> <td>0</td> <td>0</td> <td>0</td> <td>0</td> <td>10BASE-T, Half-Duplex</td> </tr> <tr> <td>0</td> <td>0</td> <td>0</td> <td>1</td> <td>10BASE-T, Full-Duplex</td> </tr> <tr> <td>0</td> <td>0</td> <td>1</td> <td>0</td> <td>100BASE-TX, Half-Duplex</td> </tr> <tr> <td>0</td> <td>0</td> <td>1</td> <td>1</td> <td>100BASE-TX, Full-Duplex</td> </tr> <tr> <td>1</td> <td>X</td> <td>X</td> <td>0</td> <td>100BASE-FX, Half-Duplex</td> </tr> <tr> <td>1</td> <td>X</td> <td>X</td> <td>1</td> <td>100BASE-FX, Full-Duplex</td> </tr> <tr> <th>FX_EN</th> <th>AN_EN</th> <th>AN1</th> <th>AN0</th> <th>Advertised Mode</th> </tr> <tr> <td>0</td> <td>1</td> <td>0</td> <td>0</td> <td>10BASE-T, Half/Full-Duplex</td> </tr> <tr> <td>0</td> <td>1</td> <td>0</td> <td>1</td> <td>100BASE-TX, Half/Full-Duplex</td> </tr> <tr> <td>0</td> <td>1</td> <td>1</td> <td>0</td> <td>10BASE-T Half-Duplex 100BASE-TX, Half-Duplex</td> </tr> <tr> <td>0</td> <td>1</td> <td>1</td> <td>1</td> <td>10BASE-T, Half/Full-Duplex 100BASE-TX, Half/Full-Duplex</td> </tr> </tbody> </table> | FX_EN | AN_EN | AN1 | AN0 | Forced Mode | 0 | 0 | 0 | 0 | 10BASE-T, Half-Duplex | 0 | 0 | 0 | 1 | 10BASE-T, Full-Duplex | 0 | 0 | 1 | 0 | 100BASE-TX, Half-Duplex | 0 | 0 | 1 | 1 | 100BASE-TX, Full-Duplex | 1 | X | X | 0 | 100BASE-FX, Half-Duplex | 1 | X | X | 1 | 100BASE-FX, Full-Duplex | FX_EN | AN_EN | AN1 | AN0 | Advertised Mode | 0 | 1 | 0 | 0 | 10BASE-T, Half/Full-Duplex | 0 | 1 | 0 | 1 | 100BASE-TX, Half/Full-Duplex | 0 | 1 | 1 | 0 | 10BASE-T Half-Duplex 100BASE-TX, Half-Duplex | 0 | 1 | 1 | 1 | 10BASE-T, Half/Full-Duplex 100BASE-TX, Half/Full-Duplex |
| FX_EN | AN_EN | AN1 | | AN0 | Forced Mode | | | | | | | | | | | | | | | | | | | | | | | | | | | | | | | | | | | | | | | | | | | | | | | | | | | | | | | | | | |
| 0 | 0 | 0 | | 0 | 10BASE-T, Half-Duplex | | | | | | | | | | | | | | | | | | | | | | | | | | | | | | | | | | | | | | | | | | | | | | | | | | | | | | | | | | |
| 0 | 0 | 0 | | 1 | 10BASE-T, Full-Duplex | | | | | | | | | | | | | | | | | | | | | | | | | | | | | | | | | | | | | | | | | | | | | | | | | | | | | | | | | | |
| 0 | 0 | 1 | | 0 | 100BASE-TX, Half-Duplex | | | | | | | | | | | | | | | | | | | | | | | | | | | | | | | | | | | | | | | | | | | | | | | | | | | | | | | | | | |
| 0 | 0 | 1 | | 1 | 100BASE-TX, Full-Duplex | | | | | | | | | | | | | | | | | | | | | | | | | | | | | | | | | | | | | | | | | | | | | | | | | | | | | | | | | | |
| 1 | X | X | | 0 | 100BASE-FX, Half-Duplex | | | | | | | | | | | | | | | | | | | | | | | | | | | | | | | | | | | | | | | | | | | | | | | | | | | | | | | | | | |
| 1 | X | X | | 1 | 100BASE-FX, Full-Duplex | | | | | | | | | | | | | | | | | | | | | | | | | | | | | | | | | | | | | | | | | | | | | | | | | | | | | | | | | | |
| FX_EN | AN_EN | AN1 | | AN0 | Advertised Mode | | | | | | | | | | | | | | | | | | | | | | | | | | | | | | | | | | | | | | | | | | | | | | | | | | | | | | | | | | |
| 0 | 1 | 0 | | 0 | 10BASE-T, Half/Full-Duplex | | | | | | | | | | | | | | | | | | | | | | | | | | | | | | | | | | | | | | | | | | | | | | | | | | | | | | | | | | |
| 0 | 1 | 0 | 1 | 100BASE-TX, Half/Full-Duplex | | | | | | | | | | | | | | | | | | | | | | | | | | | | | | | | | | | | | | | | | | | | | | | | | | | | | | | | | | | |
| 0 | 1 | 1 | 0 | 10BASE-T Half-Duplex 100BASE-TX, Half-Duplex | | | | | | | | | | | | | | | | | | | | | | | | | | | | | | | | | | | | | | | | | | | | | | | | | | | | | | | | | | | |
| 0 | 1 | 1 | 1 | 10BASE-T, Half/Full-Duplex 100BASE-TX, Half/Full-Duplex | | | | | | | | | | | | | | | | | | | | | | | | | | | | | | | | | | | | | | | | | | | | | | | | | | | | | | | | | | | |
| AN_EN (LED_ACT/LED_COL_A) | S, O, PU | 21 | | | | | | | | | | | | | | | | | | | | | | | | | | | | | | | | | | | | | | | | | | | | | | | | | | | | | | | | | | | | | |
| AN1_A (LED_SPEED_A) | | 20 | | | | | | | | | | | | | | | | | | | | | | | | | | | | | | | | | | | | | | | | | | | | | | | | | | | | | | | | | | | | | |
| AN0_A (LED_LINK_A) | | 19 | | | | | | | | | | | | | | | | | | | | | | | | | | | | | | | | | | | | | | | | | | | | | | | | | | | | | | | | | | | | | |
| AN_EN (LED_ACT/LED_COL_B) | | 41 | | | | | | | | | | | | | | | | | | | | | | | | | | | | | | | | | | | | | | | | | | | | | | | | | | | | | | | | | | | | | |
| AN1_B (LED_SPEED_B) | | 42 | | | | | | | | | | | | | | | | | | | | | | | | | | | | | | | | | | | | | | | | | | | | | | | | | | | | | | | | | | | | | |
| AN0_B (LED_LINK_B) | | 43 | | | | | | | | | | | | | | | | | | | | | | | | | | | | | | | | | | | | | | | | | | | | | | | | | | | | | | | | | | | | | |

| Signal Name | Type | Pin # | Description | | | | | | | | | | | | |
|--|----------|----------------------|--|----------|----------|--------------------|---|---|----------|---|---|-----------|---|---|----------------|
| MII_MODE_A (RX_DV_A) SNI_MODE_A (TXD3_A) MII_MODE_B (RX_DV_B) SNI_MODE_B (TXD3_B) | S, O, PD | 80 17 62 45 | <p>MII MODE SELECT: This strapping option pair determines the operating mode of the MAC Data Interface. Default operation (No pull-ups) will enable normal MII Mode of operation. Strapping MII_MODE high will cause the device to be in RMII or SNI modes of operation, determined by the status of the SNI_MODE strap. Since the pins include internal pull-downs, the default values are 0. Both MAC Data Interfaces must have their RMII Mode settings the same, i.e. both in RMII mode or both not in RMII mode.</p> <p>The following table details the configurations:</p> <table border="1"> <thead> <tr> <th>MII_MODE</th> <th>SNI_MODE</th> <th>MAC Interface Mode</th> </tr> </thead> <tbody> <tr> <td>0</td> <td>X</td> <td>MII Mode</td> </tr> <tr> <td>1</td> <td>0</td> <td>RMII Mode</td> </tr> <tr> <td>1</td> <td>1</td> <td>10 Mb SNI Mode</td> </tr> </tbody> </table> | MII_MODE | SNI_MODE | MAC Interface Mode | 0 | X | MII Mode | 1 | 0 | RMII Mode | 1 | 1 | 10 Mb SNI Mode |
| MII_MODE | SNI_MODE | MAC Interface Mode | | | | | | | | | | | | | |
| 0 | X | MII Mode | | | | | | | | | | | | | |
| 1 | 0 | RMII Mode | | | | | | | | | | | | | |
| 1 | 1 | 10 Mb SNI Mode | | | | | | | | | | | | | |
| LED_CFG_A (CRS_A/CRS_DV_A) LED_CFG_B (CRS_B/CRS_DV_B) | S, O, PU | 1 61 | <p>LED CONFIGURATION: This strapping option determines the mode of operation of the LED pins. Default is Mode 1. Mode 1 and Mode 2 can be controlled via the strap option. All modes are configurable via register access.</p> <p>See Table 3 on page 20 for LED Mode Selection.</p> | | | | | | | | | | | | |
| MDIX_EN_A (RX_ER_A) MDIX_EN_B (RX_ER_B) | S, O, PU | 2 60 | <p>MDIX ENABLE: Default is to enable MDIX. This strapping option disables Auto-MDIX. An external pull-down will disable Auto-MDIX mode.</p> | | | | | | | | | | | | |
| ED_EN_A (RXD3_A) ED_EN_B (RXD3_B) | S, O, PD | 9 53 | <p>Energy Detect ENABLE: Default is to disable Energy Detect mode. This strapping option enables Energy Detect mode for the port. In Energy Detect mode, the device will initially be in a low-power state until detecting activity on the wire. An external pull-up will enable Energy Detect mode.</p> | | | | | | | | | | | | |
| CLK2MAC_DIS (RXD2_A) | S, O, PD | 8 | <p>Clock to MAC Disable: This strapping option disables (floats) the CLK2MAC pin. Default is to enable CLK2MAC output. An external pullup will disable (float) the CLK2MAC pin. If the system does not require the CLK2MAC signal, the CLK2MAC output should be disabled via this strap option.</p> | | | | | | | | | | | | |

1.8 10 Mb/s and 100 Mb/s PMD Interface

| Signal Name | Type | Pin # | Description |
|--|------|----------------------|--|
| TPTDM_A/FXTDM_A TPTDP_A/FXTDP_A TPTDM_B/FXTDM_B TPTDP_B/FXTDP_B | I/O | 26 27 36 35 | 10BASE-T or 100BASE-TX or 100BASE-FX Transmit Data In 10BASE-T or 100BASE-TX: Differential common driver transmit output (PMD Output Pair). These differential outputs are automatically configured to either 10BASE-T or 100BASE-TX signaling. In Auto-MDIX mode of operation, this pair can be used as the Receive Input pair. In 100BASE-FX mode, this pair becomes the 100BASE-FX Transmit pair. These pins require 3.3V bias for operation. |
| TPRDM_A/FXRDM_A TPRDP_A/FXRDP_A TPRDM_B/FXRDM_B TPRDP_B/FXRDP_B | I/O | 23 24 39 38 | 10BASE-T or 100BASE-TX or 100BASE-FX Receive Data In 10BASE-T or 100BASE-TX: Differential receive input (PMD Input Pair). These differential inputs are automatically configured to accept either 100BASE-TX or 10BASE-T signaling. In Auto-MDIX mode of operation, this pair can be used as the Transmit Output pair. In 100BASE-FX mode, this pair becomes the 100BASE-FX Receive pair. These pins require 3.3V bias for operation. |
| FXSD_A (LED_SPEED_A/AN1_A) FXSD_B (LED_SPEED_B/AN1_B) | I | 20 42 | FX Signal Detect: This pin provides the Signal Detect input for 100BASE-FX mode. |

1.9 Special Connections

| Signal Name | Type | Pin # | Description |
|--------------------------------------|------|---------------------|---|
| RBIAS | I | 32 | Bias Resistor Connection. A 4.87 k Ω 1% resistor should be connected from RBIAS to GND. |
| PFBOU | O | 31 | Power Feedback Output. Parallel caps, 10 μ F and 0.1 μ F, should be placed close to the PFBOU. Connect this pin to PFBIN1 (pin 13), PFBIN2 (pin 27), PFBIN3 (pin35), PFBIN4 (pin 49). See Section 5.5 for proper placement pin. |
| PFBIN1 PFBIN2 PFBIN3 PFBIN4 | I | 7 28 34 54 | Power Feedback Input. These pins are fed with power from PFBOU pin. A small capacitor of 0.1 μ F should be connected close to each pin. <i>Note: Do not supply power to these pins other than from PFBOU.</i> |

1.10 Power Supply Pins

| Signal Name | Pin # | Description |
|------------------------------------|-------------|--------------------|
| IOVDD1, IOVDD2, IOVDD3, IOVDD4 | 11,51,65,78 | I/O 3.3V Supply |
| IOGND1, IOGND2, IOGND3, IOGND4 | 10,52,64,77 | I/O Ground |
| COREGND1, COREGND2 | 6,55 | Core Ground |
| CDGND1, CDGND2 | 25,37 | CD Ground |
| ANA33VDD | 30 | Analog 3.3V Supply |
| ANAGND1, ANAGND2, ANAGND3, ANAGND4 | 22,29,33,40 | Analog Ground |

1.11 Package Pin Assignments

| VHB80A Pin # | Pin Name |
|--------------|--------------------------|
| 1 | CRS_A/CRS_DV_A/LED_CFG_A |
| 2 | RX_ER_A/MDIX_EN_A |
| 3 | COL_A/FX_EN_A |
| 4 | RXD0_A/PHYAD1 |
| 5 | RXD1_A/PHYAD2 |
| 6 | COREGND1 |
| 7 | PFBIN1 |
| 8 | RXD2_A/CLK2MAC_DIS |
| 9 | RXD3_A/ED_EN_A |
| 10 | IOGND1 |
| 11 | IOVDD1 |
| 12 | TX_CLK_A |
| 13 | TX_EN_A |
| 14 | TXD0_A |
| 15 | TXD1_A |
| 16 | TXD2_A |
| 17 | TXD3_A/SNI_MODE_A |
| 18 | PWRDOWN_INT_A |
| 19 | LED_LINK_A/AN0_A |
| 20 | LED_SPEED_A/FXSD_A/AN1_A |
| 21 | LED_ACT/LED_COL/AN_EN_A |
| 22 | ANAGND1 |
| 23 | TPRDM_A/FXRDM_A |
| 24 | TPRDP_A/FXRDP_A |
| 25 | CDGND1 |
| 26 | TPTDM_A/FXTDM_A |
| 27 | TPTDP_A/FXTDP_A |
| 28 | PFBIN2 |
| 29 | ANAGND2 |
| 30 | ANA33VDD |
| 31 | PFBOUT |
| 32 | RBIAS |
| 33 | ANAGND3 |
| 34 | PFBIN3 |
| 35 | TPTDP_B/FXTDP_B |
| 36 | TPTDM_B/FXTDM_B |
| 37 | CDGND2 |
| 38 | TPRDP_B/FXRDP_B |
| 39 | TPRDM_B/FXRDM_B |
| 40 | ANAGND4 |
| 41 | LED_ACT/LED_COL/AN_EN_B |
| 42 | LED_SPEED_B/FXSD_B/AN1_B |

| VHB80A Pin # | Pin Name |
|--------------|--------------------------|
| 43 | LED_LINK_B/AN0_B |
| 44 | PWRDOWN_INT_B |
| 45 | TXD3_B/SNI_MODE_B |
| 46 | TXD2_B |
| 47 | TXD1_B |
| 48 | TXD0_B |
| 49 | TX_EN_B |
| 50 | TX_CLK_B |
| 51 | IOVDD2 |
| 52 | IOGND2 |
| 53 | RXD3_B/ED_EN_B |
| 54 | PFBIN4 |
| 55 | COREGND2 |
| 56 | RXD2_B |
| 57 | RXD1_B/PHYAD4 |
| 58 | RXD0_B/PHYAD3 |
| 59 | COL_B/FX_EN_B |
| 60 | RX_ER_B/MDIX_EN_B |
| 61 | CRS_B/CRS_DV_B/LED_CFG_B |
| 62 | RX_DV_B/MII_MODE_B |
| 63 | RX_CLK_B |
| 64 | IOGND3 |
| 65 | IOVDD3 |
| 66 | MDIO |
| 67 | MDC |
| 68 | CLK2MAC |
| 69 | X2 |
| 70 | X1 |
| 71 | RESET_N |
| 72 | TCK |
| 73 | TDO |
| 74 | TMS |
| 75 | TRSTN |
| 76 | TDI |
| 77 | IOGND4 |
| 78 | IOVDD4 |
| 79 | RX_CLK_A |
| 80 | RX_DV_A/MII_MODE_A |

2.0 Configuration

This section includes information on the various configuration options available with the DP83849ID. The configuration options described below include:

- Media Configuration
- Auto-Negotiation
- PHY Address and LEDs
- Half Duplex vs. Full Duplex
- Isolate mode
- Loopback mode
- BIST

2.1 Media Configuration

The DP83849ID supports both Twister Pair (100BASE-TX and 10BASE-T) and Fiber (100BASE-FX) media. Each port may be independently configured for Twisted Pair (TP) or Fiber (FX) operation by strap option or by register access.

At power-up/reset, the state of the COL_A and COL_B pins will select the media for ports A and B respectively. The default selection is TP mode, while an external pull-up will select FX mode of operation. Strapping a port into FX mode also automatically sets the Far-End Fault Enable, bit 3 of PCSR (16h), the Scramble Bypass, bit 1 of PCSR (16h) and the Descrambler Bypass, bit 0 of PCSR (16h). In addition, the media selection may be controlled by writing to bit 6, FX_EN, of PCSR (16h).

2.2 Auto-Negotiation

The Auto-Negotiation function provides a mechanism for exchanging configuration information between two ends of a link segment and automatically selecting the highest performance mode of operation supported by both devices. Fast Link Pulse (FLP) Bursts provide the signalling used to communicate Auto-Negotiation abilities between two devices at each end of a link segment. For further detail regarding Auto-Negotiation, refer to Clause 28 of the IEEE 802.3u specification. The DP83849ID supports four different Ethernet protocols (10 Mb/s Half Duplex, 10 Mb/s Full Duplex, 100 Mb/s Half Duplex, and 100 Mb/s Full Duplex), so the inclusion of Auto-Negotiation ensures that the highest performance protocol will be selected based on the advertised ability of the Link Partner. The Auto-Negotiation function within the DP83849ID can be controlled either by internal register access or by the use of the AN_EN, AN1 and AN0 pins.

2.2.1 Auto-Negotiation Pin Control

The state of AN_EN, AN0 and AN1 determines whether the DP83849ID is forced into a specific mode or Auto-Negotiation will advertise a specific ability (or set of abilities) as given in Table 1. These pins allow configuration options to be selected without requiring internal register access.

The state of AN_EN, AN0 and AN1, upon power-up/reset, determines the state of bits [8:5] of the ANAR register.

The Auto-Negotiation function selected at power-up or reset can be changed at any time by writing to the Basic Mode Control Register (BMCR) at address 00h.

Table 1. Auto-Negotiation Modes

| AN_EN | AN1 | AN0 | Forced Mode |
|-------|-----|-----|--|
| 0 | 0 | 0 | 10BASE-T, Half-Duplex |
| 0 | 0 | 1 | 10BASE-T, Full-Duplex |
| 0 | 1 | 0 | 100BASE-TX, Half-Duplex |
| 0 | 1 | 1 | 100BASE-TX, Full-Duplex |
| AN_EN | AN1 | AN0 | Advertised Mo0e |
| 1 | 0 | 0 | 10BASE-T, Half/Full-Duplex |
| 1 | 0 | 1 | 100BASE-TX, Half/Full-Duplex |
| 1 | 1 | 0 | 10BASE-T Half-Duplex 100BASE-TX, Half-Duplex |
| 1 | 1 | 1 | 10BASE-T, Half/Full-Duplex 100BASE-TX, Half/Full-Duplex |

2.2.2 Auto-Negotiation Register Control

When Auto-Negotiation is enabled, the DP83849ID transmits the abilities programmed into the Auto-Negotiation Advertisement register (ANAR) at address 04h via FLP Bursts. Any combination of 10 Mb/s, 100 Mb/s, Half-Duplex, and Full Duplex modes may be selected.

Auto-Negotiation Priority Resolution:

- (1) 100BASE-TX Full Duplex (Highest Priority)
- (2) 100BASE-TX Half Duplex
- (3) 10BASE-T Full Duplex
- (4) 10BASE-T Half Duplex (Lowest Priority)

The Basic Mode Control Register (BMCR) at address 00h provides control for enabling, disabling, and restarting the Auto-Negotiation process. When Auto-Negotiation is disabled, the Speed Selection bit in the BMCR controls switching between 10 Mb/s or 100 Mb/s operation, and the Duplex Mode bit controls switching between full duplex operation and half duplex operation. The Speed Selection and Duplex Mode bits have no effect on the mode of operation when the Auto-Negotiation Enable bit is set.

The Link Speed can be examined through the PHY Status Register (PHYSTS) at address 10h after a Link is achieved.

The Basic Mode Status Register (BMSR) indicates the set of available abilities for technology types, Auto-Negotiation ability, and Extended Register Capability. These bits are permanently set to indicate the full functionality of the DP83849ID (only the 100BASE-T4 bit is not set since the DP83849ID does not support that function).

The BMSR also provides status on:

- Whether or not Auto-Negotiation is complete
- Whether or not the Link Partner is advertising that a remote fault has occurred
- Whether or not valid link has been established
- Support for Management Frame Preamble suppression

The Auto-Negotiation Advertisement Register (ANAR) indicates the Auto-Negotiation abilities to be advertised by the DP83849ID. All available abilities are transmitted by default, but any ability can be suppressed by writing to the

ANAR. Updating the ANAR to suppress an ability is one way for a management agent to change (restrict) the technology that is used.

The Auto-Negotiation Link Partner Ability Register (ANLPAR) at address 05h is used to receive the base link code word as well as all next page code words during the negotiation. Furthermore, the ANLPAR will be updated to either 0081h or 0021h for parallel detection to either 100 Mb/s or 10 Mb/s respectively.

The Auto-Negotiation Expansion Register (ANER) indicates additional Auto-Negotiation status. The ANER provides status on:

- Whether or not a Parallel Detect Fault has occurred
- Whether or not the Link Partner supports the Next Page function
- Whether or not the DP83849ID supports the Next Page function
- Whether or not the current page being exchanged by Auto-Negotiation has been received
- Whether or not the Link Partner supports Auto-Negotiation

2.2.3 Auto-Negotiation Parallel Detection

The DP83849ID supports the Parallel Detection function as defined in the IEEE 802.3u specification. Parallel Detection requires both the 10 Mb/s and 100 Mb/s receivers to monitor the receive signal and report link status to the Auto-Negotiation function. Auto-Negotiation uses this information to configure the correct technology in the event that the Link Partner does not support Auto-Negotiation but is transmitting link signals that the 100BASE-TX or 10BASE-T PMAs recognize as valid link signals.

If the DP83849ID completes Auto-Negotiation as a result of Parallel Detection, bits 5 and 7 within the ANLPAR register will be set to reflect the mode of operation present in the Link Partner. Note that bits 4:0 of the ANLPAR will also be set to 00001 based on a successful parallel detection to indicate a valid 802.3 selector field. Software may determine that negotiation completed via Parallel Detection by reading a zero in the Link Partner Auto-Negotiation Able bit once the Auto-Negotiation Complete bit is set. If configured for parallel detect mode and any condition other than a single good link occurs then the parallel detect fault bit will be set.

2.2.4 Auto-Negotiation Restart

Once Auto-Negotiation has completed, it may be restarted at any time by setting bit 9 (Restart Auto-Negotiation) of the BMCR to one. If the mode configured by a successful Auto-Negotiation loses a valid link, then the Auto-Negotiation process will resume and attempt to determine the configuration for the link. This function ensures that a valid configuration is maintained if the cable becomes disconnected.

A renegotiation request from any entity, such as a management agent, will cause the DP83849ID to halt any transmit data and link pulse activity until the `break_link_timer` expires (~1500 ms). Consequently, the Link Partner will go into link fail and normal Auto-Negotiation resumes. The DP83849ID will resume Auto-Negotiation after the `break_link_timer` has expired by issuing FLP (Fast Link Pulse) bursts.

2.2.5 Enabling Auto-Negotiation via Software

It is important to note that if the DP83849ID has been initialized upon power-up as a non-auto-negotiating device (forced technology), and it is then required that Auto-Negotiation or re-Auto-Negotiation be initiated via software, bit 12 (Auto-Negotiation Enable) of the Basic Mode Control Register (BMCR) must first be cleared and then set for any Auto-Negotiation function to take effect.

2.2.6 Auto-Negotiation Complete Time

Parallel detection and Auto-Negotiation take approximately 2-3 seconds to complete. In addition, Auto-Negotiation with next page should take approximately 2-3 seconds to complete, depending on the number of next pages sent.

Refer to Clause 28 of the IEEE 802.3u standard for a full description of the individual timers related to Auto-Negotiation.

2.3 Auto-MDIX

When enabled, this function utilizes Auto-Negotiation to determine the proper configuration for transmission and reception of data and subsequently selects the appropriate MDI pair for MDI/MDIX operation. The function uses a random seed to control switching of the crossover circuitry. This implementation complies with the corresponding IEEE 802.3 Auto-Negotiation and Crossover Specifications.

Auto-MDIX is enabled by default and can be configured via strap or via PHYCR (19h) register, bits [15:14].

Neither Auto-Negotiation nor Auto-MDIX is required to be enabled in forcing crossover of the MDI pairs. Forced crossover can be achieved through the `FORCE_MDIX` bit, bit 14 of PHYCR (19h) register.

Note: Auto-MDIX will not work in a forced mode of operation.

2.4 PHY Address

The 4 PHY address inputs pins are shown below.

Table 2. PHY Address Mapping

| Pin # | PHYAD Function | RXD Function |
|-------|----------------|--------------|
| 4 | PHYAD1 | RXD0_A |
| 5 | PHYAD2 | RXD1_A |
| 58 | PHYAD3 | RXD0_B |
| 57 | PHYAD4 | RXD1_B |

The DP83849ID provides four address strap pins for determining the PHY addresses for ports A and B of the device. The 4 address strap pins provide the upper four bits of the PHY address. The lowest bit of the PHY address is dependent on the port. Port A has a value of 0 for the PHY address bit 0 while port B has a value of 1. The PHY address strap input pins are shown in Table 2.

The PHY address strap information is latched into the PHYCR register (address 19h, bits [4:0]) at device power-up and hardware reset. The PHY Address pins are shared with the RXD pins. Each DP83849ID or port sharing an

MDIO bus in a system must have a unique physical address.

The DP83849ID supports PHY Address strapping of Port A to even values 0 (<0000_0>) through 30 (<1111_0>). Port B is strapped to odd values 1 (<0000_1>) through 31 (<1111_1>). Note that Port B address is always 1 greater than Port A address.

For further detail relating to the latch-in timing requirements of the PHY Address pins, as well as the other hardware configuration pins, refer to the Reset summary in Section 6.0.

Refer to Figure 2 for an example of a PHYAD connection to external components. In this example, the PHYAD strapping results in address 00010 (02h) for Port A and address 00011 (03h) for Port B.

2.4.1 MII Isolate Mode

The DP83849ID can be put into MII Isolate mode by writing to bit 10 of the BMCR register.

When in the MII isolate mode, the DP83849ID does not respond to packet data present at TXD[3:0], TX_EN inputs and presents a high impedance on the TX_CLK, RX_CLK, RX_DV, RX_ER, RXD[3:0], COL, and CRS outputs. When in Isolate mode, the DP83849ID will continue to respond to all management transactions.

While in Isolate mode, the PMD output pair will not transmit packet data but will continue to source 100BASE-TX scrambled idles or 10BASE-T normal link pulses.

The DP83849ID can Auto-Negotiate or parallel detect to a specific technology depending on the receive signal at the PMD input pair. A valid link can be established for the receiver even when the DP83849ID is in Isolate mode.

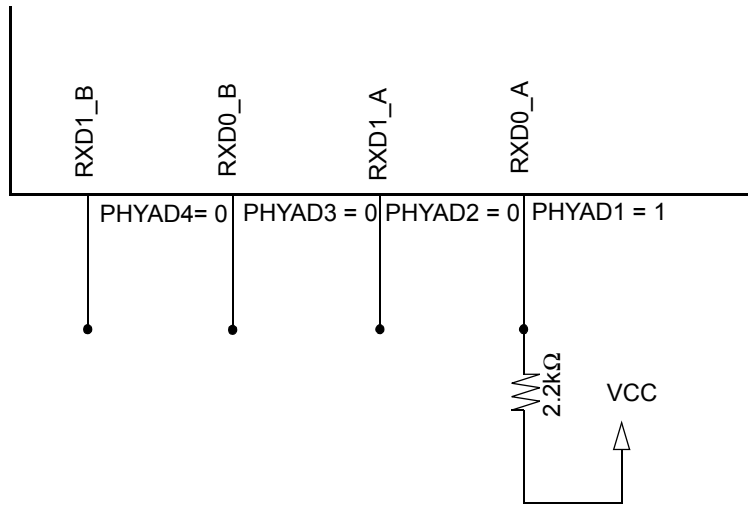


Figure 2. PHYAD Strapping Example

2.5 LED Interface

The DP83849ID supports three configurable Light Emitting Diode (LED) pins for each port.

Several functions can be multiplexed onto the three LEDs using three different modes of operation. The LED operation mode can be selected by writing to the LED_CFG[1:0]

register bits in the PHY Control Register (PHYCR) at address 19h, bits [6:5]. In addition, LED_CFG[0] for each port can be set by a strap option on the CRS_A and CRS_B pins. LED_CFG[1] is only controllable through register access and cannot be set by as strap pin.

See Table 3 for LED Mode selection.

Table 3. LED Mode Select

| Mode | LED_CFG[1] | LED_CFG[0] | LED_LINK | LED_SPEED | LED_ACT/LED_COL |
|------|------------|------------|--|----------------------------------|---|
| 1 | don't care | 1 | ON for Good Link OFF for No Link | ON in 100 Mb/s OFF in 10 Mb/s | ON for Activity OFF for No Activity |
| 2 | 0 | 0 | ON for Good Link BLINK for Activity | ON in 100 Mb/s OFF in 10 Mb/s | ON for Collision OFF for No Collision |
| 3 | 1 | 0 | ON for Good Link BLINK for Activity | ON in 100 Mb/s OFF in 10 Mb/s | ON for Full Duplex OFF for Half Duplex |

The LED_LINK pin in Mode 1 indicates the link status of the port. In 100BASE-T mode, link is established as a result of input receive amplitude compliant with the TP-PMD specifications which will result in internal generation of signal detect. A 10 Mb/s Link is established as a result of the reception of at least seven consecutive normal Link Pulses or the reception of a valid 10BASE-T packet. This will cause the assertion of LED_LINK. LED_LINK will deassert in accordance with the Link Loss Timer as specified in the IEEE 802.3 specification.

The LED_LINK pin in Mode 1 will be OFF when no LINK is present.

The LED_LINK pin in Mode 2 and Mode 3 will be ON to indicate Link is good and BLINK to indicate activity is present on activity. The BLINK frequency is defined in BLINK_FREQ, bits [7:6] of register LEDCR (18h).

Activity is defined as configured in LEDACT_RX, bit 8 of register LEDCR (18h). If LEDACT_RX is 0, Activity is signaled for either transmit or receive. If LEDACT_RX is 1, Activity is only signaled for receive.

The LED_SPEED pin indicates 10 or 100 Mb/s data rate of the port. The LED is ON when operating in 100Mb/s mode and OFF when operating in 10Mb/s mode. The functionality of this LED is independent of mode selected.

The LED_ACT/LED_COL pin in Mode 1 indicates the presence of either transmit or receive activity. The LED will be ON for Activity and OFF for No Activity. In Mode 2, this pin indicates the Collision status of the port. The LED will be ON for Collision and OFF for No Collision.

The LED_ACT/LED_COL pin in Mode 3 indicates Duplex status for 10 Mb/s or 100 Mb/s operation. The LED will be ON for Full Duplex and OFF for Half Duplex.

In 10 Mb/s half duplex mode, the collision LED is based on the COL signal.

Since these LED pins are also used as strap options, the polarity of the LED is dependent on whether the pin is pulled up or down.

2.5.1 LEDs

Since the Auto-Negotiation (AN) strap options share the LED output pins, the external components required for strapping and LED usage must be considered in order to avoid contention.

Specifically, when the LED outputs are used to drive LEDs directly, the active state of each output driver is dependent on the logic level sampled by the corresponding AN input upon power-up/reset. For example, if a given AN input is resistively pulled low then the corresponding output will be configured as an active high driver. Conversely, if a given AN input is resistively pulled high, then the corresponding output will be configured as an active low driver.

Refer to Figure 3 for an example of AN connections to external components at port A. In this example, the AN strapping results in Auto-Negotiation disabled with 100 Full-Duplex forced.

The adaptive nature of the LED outputs helps to simplify potential implementation issues of these dual purpose pins.

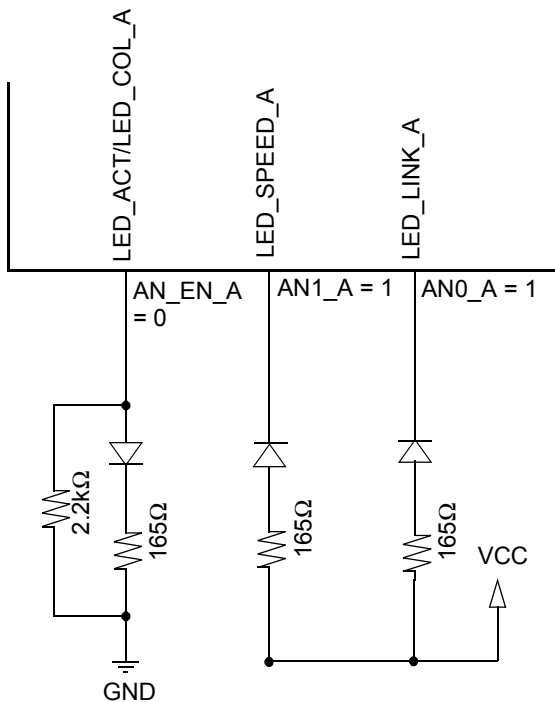


Figure 3. AN Strapping and LED Loading Example

2.5.2 LED Direct Control

The DP83849ID provides another option to directly control any or all LED outputs through the LED Direct Control Register (LEDCR), address 18h. The register does not provide read access to LEDs.

2.6 Half Duplex vs. Full Duplex

The DP83849ID supports both half and full duplex operation at both 10 Mb/s and 100 Mb/s speeds.

Half-duplex relies on the CSMA/CD protocol to handle collisions and network access. In Half-Duplex mode, CRS responds to both transmit and receive activity in order to maintain compliance with the IEEE 802.3 specification.

Since the DP83849ID is designed to support simultaneous transmit and receive activity it is capable of supporting full-duplex switched applications with a throughput of up to 200 Mb/s per port when operating in either 100BASE-TX or 100BASE-FX. Because the CSMA/CD protocol does not apply to full-duplex operation, the DP83849ID disables its own internal collision sensing and reporting functions and modifies the behavior of Carrier Sense (CRS) such that it indicates only receive activity. This allows a full-duplex capable MAC to operate properly.

All modes of operation (100BASE-TX, 100BASE-FX, 10BASE-T) can run either half-duplex or full-duplex. Additionally, other than CRS and Collision reporting, all remaining MII signaling remains the same regardless of the selected duplex mode.

It is important to understand that while Auto-Negotiation with the use of Fast Link Pulse code words can interpret and configure to full-duplex operation, parallel detection can not recognize the difference between full and half-duplex from a fixed 10 Mb/s or 100 Mb/s link partner over twisted pair. As specified in the 802.3u specification, if a far-end link partner is configured to a forced full duplex 100BASE-TX ability, the parallel detection state machine in the partner would be unable to detect the full duplex capability of the far-end link partner. This link segment would negotiate to a half duplex 100BASE-TX configuration (same scenario for 10Mb/s).

Auto-Negotiation is not supported in 100BASE-FX operation. Selection of Half or Full-duplex operation is controlled by bit 8 of the Basic Mode Control Register (BMCR), address 00h. If 100BASE-FX mode is strapped using the FX_EN pin, the AN0 strap value is used to set the value of bit 8 of the BMCR (00h) register. Note that the other Auto-Negotiation strap pins (AN_EN and AN1) are ignored in 100BASE-FX mode.

2.7 Internal Loopback

The DP83849ID includes a Loopback Test mode for facilitating system diagnostics. The Loopback mode is selected through bit 14 (Loopback) of the Basic Mode Control Register (BMCR). Writing 1 to this bit enables MII transmit data to be routed to the MII receive outputs. Loopback status may be checked in bit 3 of the PHY Status Register (PHYSTS). While in Loopback mode the data will not be transmitted onto the media. To ensure that the desired operating mode is maintained, Auto-Negotiation should be disabled before selecting the Loopback mode.

2.8 BIST

The DP83849ID incorporates an internal Built-in Self Test (BIST) circuit to accommodate in-circuit testing or diagnostics. The BIST circuit can be utilized to test the integrity of the transmit and receive data paths. BIST testing can be performed with the part in the internal loopback mode or externally looped back using a loopback cable fixture.

The BIST is implemented with independent transmit and receive paths, with the transmit block generating a continuous stream of a pseudo random sequence. The user can select a 9 bit or 15 bit pseudo random sequence from the PSR_15 bit in the PHY Control Register (PHYCR). The received data is compared to the generated pseudo-random data by the BIST Linear Feedback Shift Register (LFSR) to determine the BIST pass/fail status.

The pass/fail status of the BIST is stored in the BIST status bit in the PHYCR register. The status bit defaults to 0 (BIST fail) and will transition on a successful comparison. If an error (mis-compare) occurs, the status bit is latched and is cleared upon a subsequent write to the Start/Stop bit.

For transmit VOD testing, the Packet BIST Continuous Mode can be used to allow continuous data transmission, setting BIST_CONT_MODE, bit 5, of CDCTRL1 (1Bh).

The number of BIST errors can be monitored through the BIST Error Count in the CDCTRL1 (1Bh), bits [15:8].

3.0 MAC Interface

The DP83849ID supports several modes of operation using the MII interface pins. The options are defined in the following sections and include:

- MII Mode
- RMII Mode
- 10 Mb Serial Network Interface (SNI)

In addition, the DP83849ID supports the standard 802.3u MII Serial Management Interface.

The modes of operation can be selected by strap options or register control. For RMII mode, it is required to use the strap option, since it requires a 50 MHz clock instead of the normal 25 MHz.

In each of these modes, the IEEE 802.3 serial management interface is operational for device configuration and status. The serial management interface of the MII allows for the configuration and control of multiple PHY devices, gathering of status, error information, and the determination of the type and capabilities of the attached PHY(s).

3.1 MII Interface

The DP83849ID incorporates the Media Independent Interface (MII) as specified in Clause 22 of the IEEE 802.3u standard. This interface may be used to connect PHY devices to a MAC in 10/100 Mb/s systems. This section describes the nibble wide MII data interface.

The nibble wide MII data interface consists of a receive bus and a transmit bus each with control signals to facilitate data transfer between the PHY and the upper layer (MAC).

3.1.1 Nibble-wide MII Data Interface

Clause 22 of the IEEE 802.3u specification defines the Media Independent Interface. This interface includes a dedicated receive bus and a dedicated transmit bus. These two data buses, along with various control and status signals, allow for the simultaneous exchange of data between the DP83849ID and the upper layer agent (MAC).

The receive interface consists of a nibble wide data bus RXD[3:0], a receive error signal RX_ER, a receive data valid flag RX_DV, and a receive clock RX_CLK for synchronous transfer of the data. The receive clock operates at either 2.5 MHz to support 10 Mb/s operation modes or at 25 MHz to support 100 Mb/s operational modes.

The transmit interface consists of a nibble wide data bus TXD[3:0], a transmit enable control signal TX_EN, and a transmit clock TX_CLK which runs at either 2.5 MHz or 25 MHz.

Additionally, the MII includes the carrier sense signal CRS, as well as a collision detect signal COL. The CRS signal asserts to indicate the reception of data from the network or as a function of transmit data in Half Duplex mode. The COL signal asserts as an indication of a collision which can occur during half-duplex operation when both a transmit and receive operation occur simultaneously.

3.1.2 Collision Detect

For Half Duplex, a 10BASE-T or 100BASE-TX collision is detected when the receive and transmit channels are active simultaneously. Collisions are reported by the COL signal on the MII.

If the DP83849ID is transmitting in 10 Mb/s mode when a collision is detected, the collision is not reported until seven bits have been received while in the collision state. This prevents a collision being reported incorrectly due to noise on the network. The COL signal remains set for the duration of the collision.

If a collision occurs during a receive operation, it is immediately reported by the COL signal.

When heartbeat is enabled (only applicable to 10 Mb/s operation), approximately 1 μ s after the transmission of each packet, a Signal Quality Error (SQE) signal of approximately 10 bit times is generated (internally) to indicate successful transmission. SQE is reported as a pulse on the COL signal of the MII.

3.1.3 Carrier Sense

Carrier Sense (CRS) is asserted due to receive activity, once valid data is detected via the squelch function during 10 Mb/s operation. During 100 Mb/s operation CRS is asserted when a valid link (SD) and two non-contiguous zeros are detected on the line.

For 10 or 100 Mb/s Half Duplex operation, CRS is asserted during either packet transmission or reception.

For 10 or 100 Mb/s Full Duplex operation, CRS is asserted only due to receive activity.

CRS is deasserted following an end of packet.

3.2 Reduced MII Interface

The DP83849ID incorporates the Reduced Media Independent Interface (RMII) as specified in the RMII specification (rev1.2) from the RMII Consortium. This interface may be used to connect PHY devices to a MAC in 10/100 Mb/s systems using a reduced number of pins. In this mode, data is transferred 2-bits at a time using the 50 MHz RMII_REF clock for both transmit and receive. The following pins are used in RMII mode:

- TX_EN
- TXD[1:0]
- RX_ER (optional for Mac)
- CRS_DV
- RXD[1:0]
- X1 (RMII Reference clock is 50 MHz)

In addition, the RMII mode supplies an RX_DV signal which allows for a simpler method of recovering receive data without having to separate RX_DV from the CRS_DV indication. This is especially useful for diagnostic testing where it may be desirable to externally loop Receive MII data directly to the transmitter.

The RX_ER output may be used by the MAC to detect error conditions. It is asserted for symbol errors received during a packet, False Carrier events, and also for FIFO underrun or overrun conditions. Since the Phy is required to corrupt receive data on an error, a MAC is not required to use RX_ER.

It is important to note that since both digital channels in the DP83849ID share the X1/RMII_REF input, both channels must have RMII mode enabled or both channels must have

RMII mode disabled. Either channel may be in 10Mb or 100Mb mode in RMII or non-RMII mode.

Since the reference clock operates at 10 times the data rate for 10 Mb/s operation, transmit data is sampled every 10 clocks. Likewise, receive data will be generated every 10th clock so that an attached device can sample the data every 10 clocks.

RMII mode requires a 50 MHz oscillator be connected to the device X1 pin. A 50 MHz crystal is not supported.

To tolerate potential frequency differences between the 50 MHz reference clock and the recovered receive clock, the receive RMII function includes a programmable elasticity buffer. The elasticity buffer is programmable to minimize propagation delay based on expected packet size and clock accuracy. This allows for supporting a range of packet sizes including jumbo frames.

The elasticity buffer will force Frame Check Sequence errors for packets which overrun or underrun the FIFO. Underrun and Overrun conditions can be reported in the RMII and Bypass Register (RBR). The following table indicates how to program the elasticity buffer fifo (in 4-bit increments) based on expected max packet size and clock accuracy. It assumes both clocks (RMII Reference clock and far-end Transmitter clock) have the same accuracy.

Packet lengths can be scaled linearly based on accuracy (+/- 25ppm would allow packets twice as large). If the threshold setting must support both 10Mb and 100Mb operation, the setting should be made to support both speeds.

Table 4. Supported packet sizes at +/-50ppm frequency accuracy

| Start Threshold RBR[1:0] | Latency Tolerance | | Recommended Packet Size at +/- 50ppm | |
|-----------------------------|-------------------|---------|---|--------------|
| | 100Mb | 10Mb | 100Mb | 10Mb |
| 01 (default) | 2 bits | 8 bits | 2,400 bytes | 9,600 bytes |
| 10 | 6 bits | 4 bits | 7,200 bytes | 4,800 bytes |
| 11 | 10 bits | 8 bits | 12,000 bytes | 9,600 bytes |
| 00 | 14 bits | 12 bits | 16,800 bytes | 14,400 bytes |

3.3 10 Mb Serial Network Interface (SNI)

The DP83849ID incorporates a 10 Mb Serial Network Interface (SNI) which allows a simple serial data interface for 10 Mb only devices. This is also referred to as a 7-wire interface. While there is no defined standard for this interface, it is based on early 10 Mb physical layer devices. Data is clocked serially at 10 MHz using separate transmit and receive paths. The following pins are used in SNI mode:

- TX_CLK

- TX_EN
- TXD[0]
- RX_CLK
- RXD[0]
- CRS
- COL

3.4 802.3u MII Serial Management Interface

3.4.1 Serial Management Register Access

The serial management MII specification defines a set of thirty-two 16-bit status and control registers that are accessible through the management interface pins MDC and MDIO. The DP83849ID implements all the required MII registers as well as several optional registers. These registers are fully described in Section 7.0. A description of the serial management access protocol follows.

3.4.2 Serial Management Access Protocol

The serial control interface consists of two pins, Management Data Clock (MDC) and Management Data Input/Output (MDIO). MDC has a maximum clock rate of 25 MHz and no minimum rate. The MDIO line is bi-directional and may be shared by up to 32 devices. The MDIO frame format is shown below in Table 5.

In addition, the MDIO pin requires a pull-up resistor (1.5 kΩ) which, during IDLE and turnaround, will pull MDIO high. In order to initialize the MDIO interface, the station management entity sends a sequence of 32 contiguous logic ones on MDIO to provide the DP83849ID with a sequence that can be used to establish synchronization. This preamble may be generated either by driving MDIO high for 32 consecutive MDC clock cycles, or by simply allowing the MDIO pull-up resistor to pull the MDIO pin high during which time 32 MDC clock cycles are provided. In addition 32 MDC clock cycles should be used to re-sync the device if an invalid start, opcode, or turnaround bit is detected.

The DP83849ID waits until it has received this preamble sequence before responding to any other transaction. Once the DP83849ID serial management port has been initialized no further preamble sequencing is required until after a power-on/reset, invalid Start, invalid Opcode, or invalid turnaround bit has occurred.

The Start code is indicated by a <01> pattern. This assures the MDIO line transitions from the default idle line state.

Turnaround is defined as an idle bit time inserted between the Register Address field and the Data field. To avoid contention during a read transaction, no device shall actively drive the MDIO signal during the first bit of Turnaround. The addressed DP83849ID drives the MDIO with a zero for the second bit of turnaround and follows this with the required data. Figure 4 shows the timing relationship between MDC and the MDIO as driven/received by the Station (STA) and the DP83849ID (PHY) for a typical register read access.

For write transactions, the station management entity writes data to the addressed DP83849ID thus eliminating the requirement for MDIO Turnaround. The Turnaround time is filled by the management entity by inserting <10>. Figure 5 shows the timing relationship for a typical MII register write access.

Table 5. Typical MDIO Frame Format

| | |
|--------------------------------|---|
| MII Management Serial Protocol | <idle><start><op code><device addr><reg addr><turnaround><data><idle> |
| Read Operation | <idle><01><10><AAAA><RRRRR><Z0><xxxx xxxx xxxx xxxx><idle> |
| Write Operation | <idle><01><01><AAAA><RRRRR><10><xxxx xxxx xxxx xxxx><idle> |

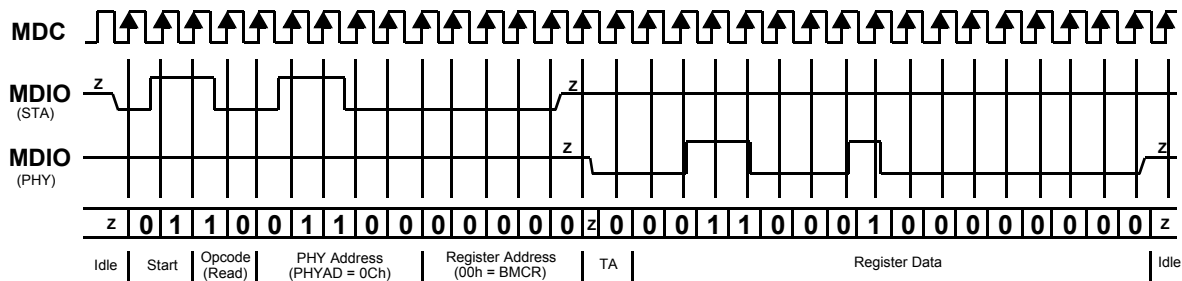


Figure 4. Typical MDC/MDIO Read Operation

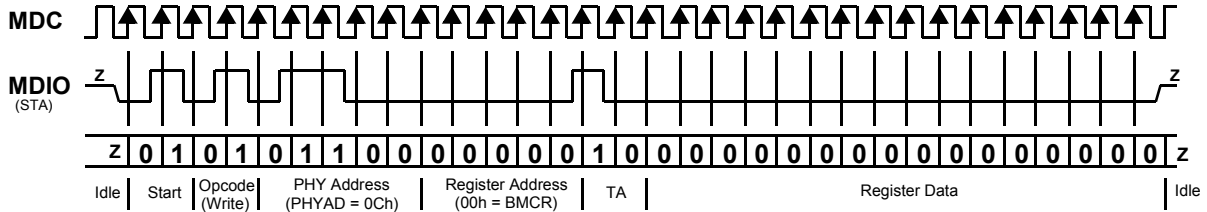


Figure 5. Typical MDC/MDIO Write Operation

3.4.3 Serial Management Preamble Suppression

The DP83849ID supports a Preamble Suppression mode as indicated by a one in bit 6 of the Basic Mode Status Register (BMSR, address 01h.) If the station management entity (i.e. MAC or other management controller) determines that all PHYs in the system support Preamble Suppression by returning a one in this bit, then the station management entity need not generate preamble for each management transaction.

The DP83849ID requires a single initialization sequence of 32 bits of preamble following hardware/software reset. This requirement is generally met by the mandatory pull-up resistor on MDIO in conjunction with a continuous MDC, or the management access made to determine whether Preamble Suppression is supported.

While the DP83849ID requires an initial preamble sequence of 32 bits for management initialization, it does not require

a full 32-bit sequence between each subsequent transaction. A *minimum of one idle bit between management transactions is required* as specified in the IEEE 802.3u specification.

3.4.4 Simultaneous Register Write

The DP83849ID incorporates a mode which allows simultaneous write access to both Port A and B register blocks at the same time. This mode is selected by setting bit 15 of RMI and Bypass Register (RBR, address 17h) in Port A.

As long as this bit remains set, subsequent writes to Port A will write to registers in both ports.

Register reads are unaffected. Each port must still be read individually.

4.0 Architecture

This section describes the operations within each transceiver module, 100BASE-TX and 10BASE-T. Each operation consists of several functional blocks and described in the following:

- 100BASE-TX Transmitter
- 100BASE-TX Receiver
- 100BASE-FX Operation
- 10BASE-T Transceiver Module

4.1 100BASE-TX TRANSMITTER

The 100BASE-TX transmitter consists of several functional blocks which convert synchronous 4-bit nibble data, as provided by the MII, to a scrambled MLT-3 125 Mb/s serial data stream. Because the 100BASE-TX TP-PMD is integrated, the differential output pins, PMD Output Pair, can be directly routed to the magnetics.

The block diagram in Figure 6. provides an overview of each functional block within the 100BASE-TX transmit section.

The Transmitter section consists of the following functional blocks:

- Code-group Encoder and Injection block
- Scrambler block (bypass option)
- NRZ to NRZI encoder block
- Binary to MLT-3 converter / Common Driver

The bypass option for the functional blocks within the 100BASE-TX transmitter provides flexibility for applications where data conversion is not always required. The DP83849ID implements the 100BASE-TX transmit state machine diagram as specified in the IEEE 802.3u Standard, Clause 24.

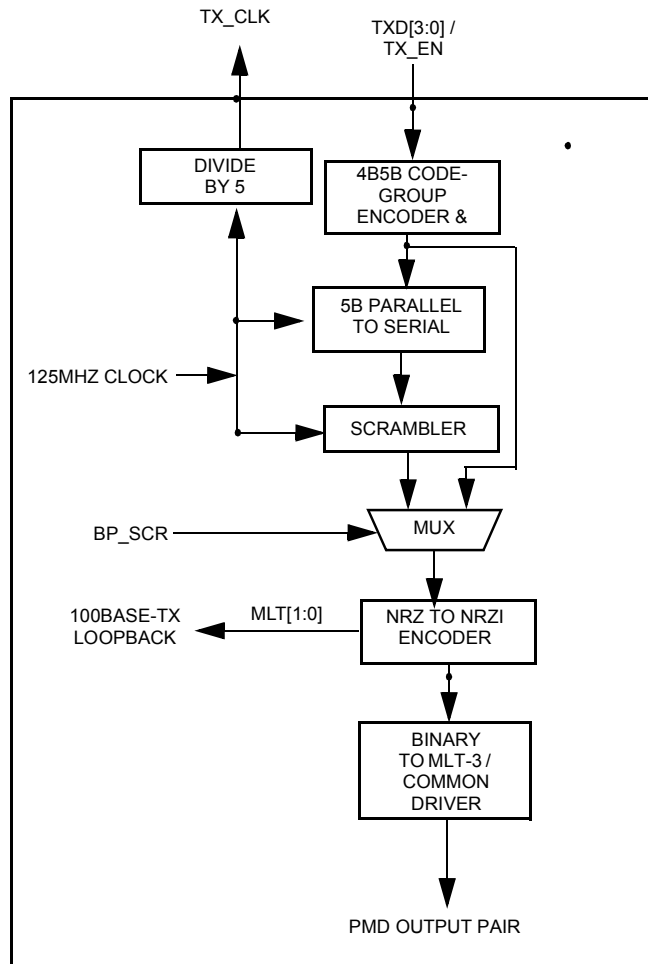


Figure 6. 100BASE-TX Transmit Block Diagram

Table 13. 4B5B Code-Group Encoding/Decoding

| DATA CODES | | |
|-------------------------------|-------|--|
| 0 | 11110 | 0000 |
| 1 | 01001 | 0001 |
| 2 | 10100 | 0010 |
| 3 | 10101 | 0011 |
| 4 | 01010 | 0100 |
| 5 | 01011 | 0101 |
| 6 | 01110 | 0110 |
| 7 | 01111 | 0111 |
| 8 | 10010 | 1000 |
| 9 | 10011 | 1001 |
| A | 10110 | 1010 |
| B | 10111 | 1011 |
| C | 11010 | 1100 |
| D | 11011 | 1101 |
| E | 11100 | 1110 |
| F | 11101 | 1111 |
| IDLE AND CONTROL CODES | | |
| H | 00100 | HALT code-group - Error code |
| I | 11111 | Inter-Packet IDLE - 0000 (Note 1) |
| J | 11000 | First Start of Packet - 0101 (Note 1) |
| K | 10001 | Second Start of Packet - 0101 (Note 1) |
| T | 01101 | First End of Packet - 0000 (Note 1) |
| R | 00111 | Second End of Packet - 0000 (Note 1) |
| INVALID CODES | | |
| V | 00000 | |
| V | 00001 | |
| V | 00010 | |
| V | 00011 | |
| V | 00101 | |
| V | 00110 | |
| V | 01000 | |
| V | 01100 | |

Note: Control code-groups I, J, K, T and R in data fields will be mapped as invalid codes, together with RX_ER asserted.

4.1.1 Code-group Encoding and Injection

The code-group encoder converts 4-bit (4B) nibble data generated by the MAC into 5-bit (5B) code-groups for transmission. This conversion is required to allow control data to be combined with packet data code-groups. Refer to Table 13 for 4B to 5B code-group mapping details.

The code-group encoder substitutes the first 8-bits of the MAC preamble with a J/K code-group pair (11000 10001) upon transmission. The code-group encoder continues to replace subsequent 4B preamble and data nibbles with corresponding 5B code-groups. At the end of the transmit packet, upon the deassertion of Transmit Enable signal from the MAC, the code-group encoder injects the T/R code-group pair (01101 00111) indicating the end of the frame.

After the T/R code-group pair, the code-group encoder continuously injects IDLEs into the transmit data stream until the next transmit packet is detected (reassertion of Transmit Enable).

4.1.2 Scrambler

The scrambler is required to control the radiated emissions at the media connector and on the twisted pair cable (for 100BASE-TX applications). By scrambling the data, the total energy launched onto the cable is randomly distributed over a wide frequency range. Without the scrambler, energy levels at the PMD and on the cable could peak beyond FCC limitations at frequencies related to repeating 5B sequences (i.e., continuous transmission of IDLEs).

The scrambler is configured as a closed loop linear feedback shift register (LFSR) with an 11-bit polynomial. The output of the closed loop LFSR is X-ORd with the serial NRZ data from the code-group encoder. The result is a scrambled data stream with sufficient randomization to decrease radiated emissions at certain frequencies by as much as 20 dB. The DP83849ID uses the PHY_ID (pins PHYAD [4:1]) to set a unique seed value.

4.1.3 NRZ to NRZI Encoder

After the transmit data stream has been serialized and scrambled, the data must be NRZI encoded in order to comply with the TP-PMD standard for 100BASE-TX transmission over Category-5 Unshielded twisted pair cable.

4.1.4 Binary to MLT-3 Converter

The Binary to MLT-3 conversion is accomplished by converting the serial binary data stream output from the NRZI encoder into two binary data streams with alternately phased logic one events. These two binary streams are then fed to the twisted pair output driver which converts the voltage to current and alternately drives either side of the

transmit transformer primary winding, resulting in a MLT-3 signal.

The 100BASE-TX MLT-3 signal sourced by the PMD Output Pair common driver is slew rate controlled. This should be considered when selecting AC coupling magnetics to ensure TP-PMD Standard compliant transition times ($3 \text{ ns} < T_r < 5 \text{ ns}$).

The 100BASE-TX transmit TP-PMD function within the DP83849ID is capable of sourcing only MLT-3 encoded data. Binary output from the PMD Output Pair is not possible in 100 Mb/s mode.

4.2 100BASE-TX RECEIVER

The 100BASE-TX receiver consists of several functional blocks which convert the scrambled MLT-3 125 Mb/s serial data stream to synchronous 4-bit nibble data that is provided to the MII. Because the 100BASE-TX TP-PMD is integrated, the differential input pins, RD \pm , can be directly routed from the AC coupling magnetics.

See Figure 7 for a block diagram of the 100BASE-TX receive function. This provides an overview of each functional block within the 100BASE-TX receive section.

The Receive section consists of the following functional blocks:

- Analog Front End
- Digital Signal Processor
- Signal Detect
- MLT-3 to Binary Decoder
- NRZI to NRZ Decoder
- Serial to Parallel
- Descrambler
- Code Group Alignment
- 4B/5B Decoder
- Link Integrity Monitor
- Bad SSD Detection

4.2.1 Analog Front End

In addition to the Digital Equalization and Gain Control, the DP83849ID includes Analog Equalization and Gain Control in the Analog Front End. The Analog Equalization reduces the amount of Digital Equalization required in the DSP.

4.2.2 Digital Signal Processor

The Digital Signal Processor includes Adaptive Equalization with Gain Control and Base Line Wander Compensation.

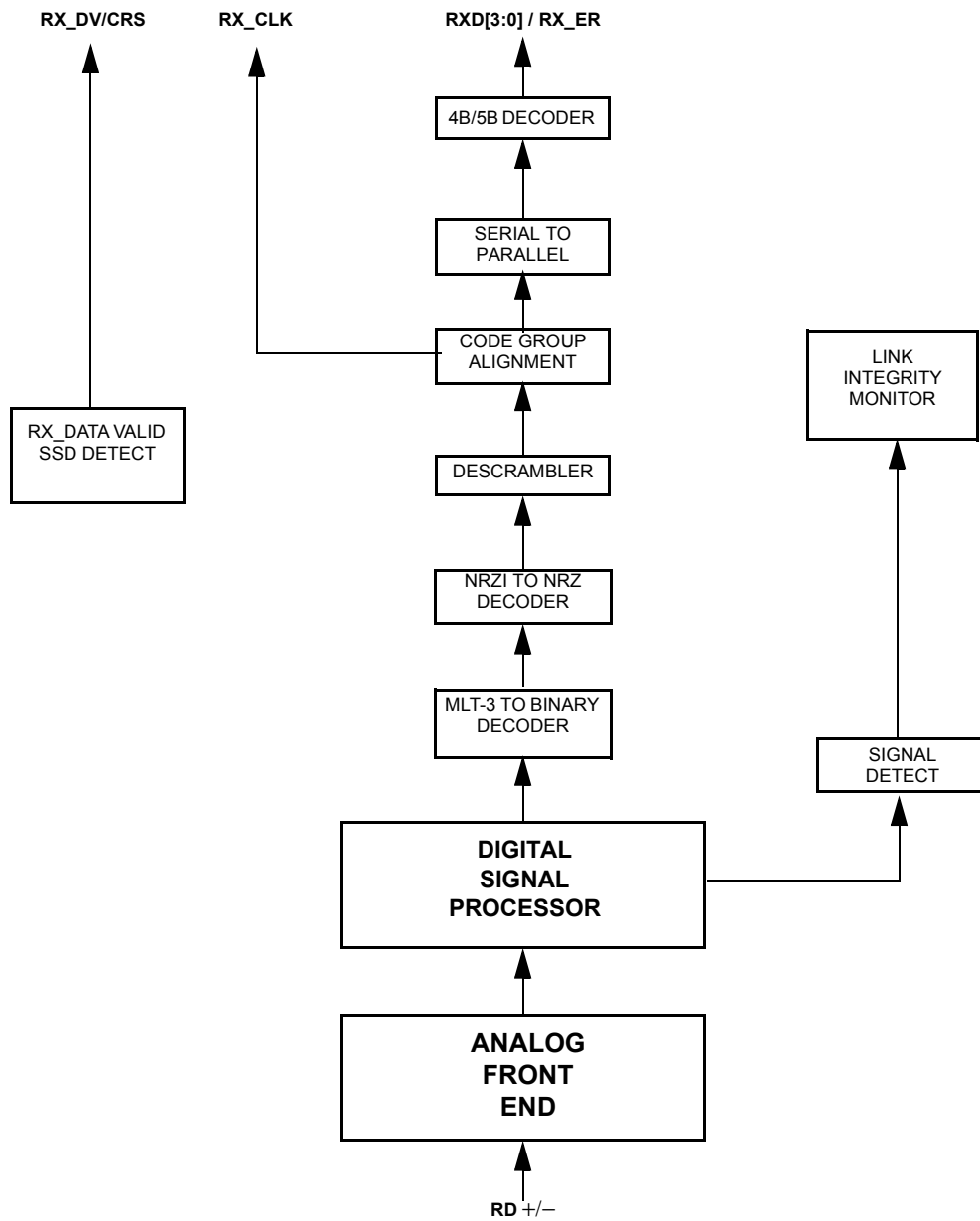


Figure 7. 100BASE-TX Receive Block Diagram

4.2.2.1 Digital Adaptive Equalization and Gain Control

When transmitting data at high speeds over copper twisted pair cable, frequency dependent attenuation becomes a concern. In high-speed twisted pair signalling, the frequency content of the transmitted signal can vary greatly during normal operation based primarily on the randomness of the scrambled data stream. This variation in signal attenuation caused by frequency variations must be compensated to ensure the integrity of the transmission.

In order to ensure quality transmission when employing MLT-3 encoding, the compensation must be able to adapt to various cable lengths and cable types depending on the installed environment. The selection of long cable lengths for a given implementation, requires significant compensation which will over-compensate for shorter, less attenuating lengths. Conversely, the selection of short or intermediate cable lengths requiring less compensation will cause serious under-compensation for longer length cables. The compensation or equalization must be adap-

tive to ensure proper conditioning of the received signal independent of the cable length.

The DP83849ID utilizes an extremely robust equalization scheme referred as 'Digital Adaptive Equalization.'

The Digital Equalizer removes ISI (inter symbol interference) from the receive data stream by continuously adapting to provide a filter with the inverse frequency response of the channel. Equalization is combined with an adaptive gain control stage. This enables the receive 'eye pattern' to be opened sufficiently to allow very reliable data recovery.

The curves given in Figure 9 illustrate attenuation at certain frequencies for given cable lengths. This is derived from the worst case frequency vs. attenuation figures as specified in the EIA/TIA Bulletin TSB-36. These curves indicate the significant variations in signal attenuation that must be compensated for by the receive adaptive equalization circuit.

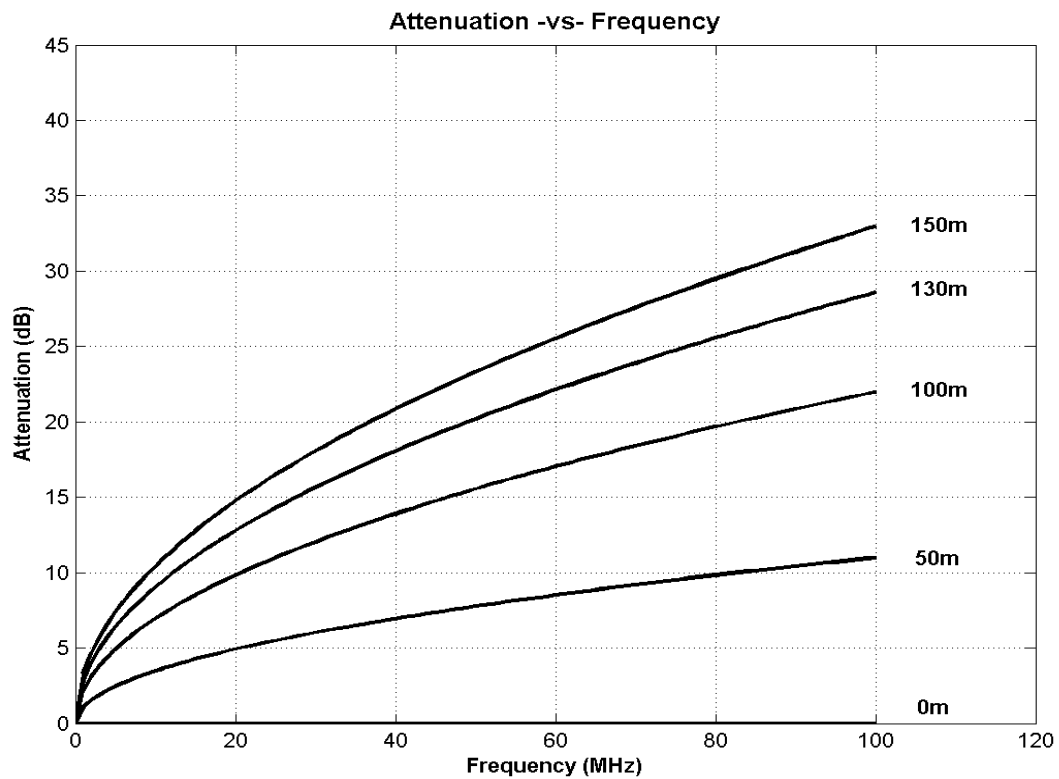


Figure 9. EIA/TIA Attenuation vs. Frequency for 0, 50, 100, 130 & 150 meters of CAT 5 cable

4.2.2.2 Base Line Wander Compensation

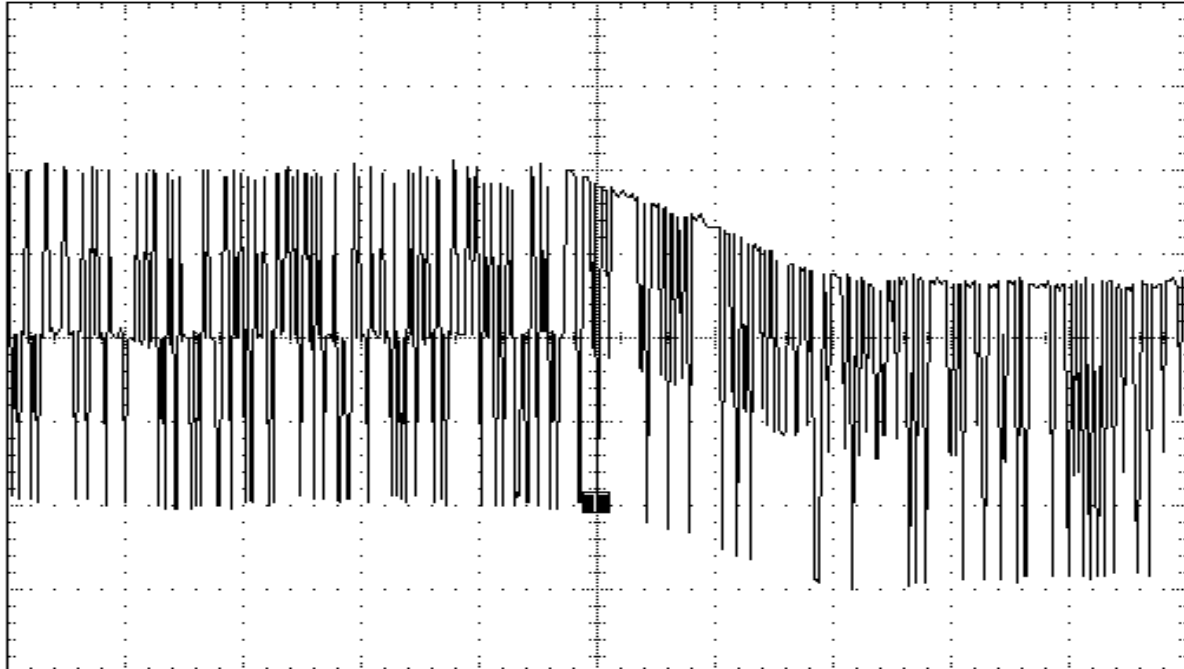


Figure 10. 100BASE-TX BLW Event

The DP83849ID is completely ANSI TP-PMD compliant and includes Base Line Wander (BLW) compensation. The BLW compensation block can successfully recover the TP-PMD defined “killer” pattern.

BLW can generally be defined as the change in the average DC content, relatively short period over time, of an AC coupled digital transmission over a given transmission medium. (i.e., copper wire).

BLW results from the interaction between the low frequency components of a transmitted bit stream and the frequency response of the AC coupling component(s) within the transmission system. If the low frequency content of the digital bit stream goes below the low frequency pole of the AC coupling transformers then the droop characteristics of the transformers will dominate resulting in potentially serious BLW.

The digital oscilloscope plot provided in Figure 10 illustrates the severity of the BLW event that can theoretically be generated during 100BASE-TX packet transmission. This event consists of approximately 800 mV of DC offset for a period of 120 μ s. Left uncompensated, events such as this can cause packet loss.

4.2.3 Signal Detect

The signal detect function of the DP83849ID is incorporated to meet the specifications mandated by the ANSI

FDDI TP-PMD Standard as well as the IEEE 802.3 100BASE-TX Standard for both voltage thresholds and timing parameters.

Note that the reception of normal 10BASE-T link pulses and fast link pulses per IEEE 802.3u Auto-Negotiation by the 100BASE-TX receiver do not cause the DP83849ID to assert signal detect.

4.2.4 MLT-3 to NRZI Decoder

The DP83849ID decodes the MLT-3 information from the Digital Adaptive Equalizer block to binary NRZI data.

4.2.5 NRZI to NRZ

In a typical application, the NRZI to NRZ decoder is required in order to present NRZ formatted data to the descrambler.

4.2.6 Serial to Parallel

The 100BASE-TX receiver includes a Serial to Parallel converter which supplies 5-bit wide data symbols to the PCS Rx state machine.

4.2.7 Descrambler

A serial descrambler is used to de-scramble the received NRZ data. The descrambler has to generate an identical data scrambling sequence (N) in order to recover the original unscrambled data (UD) from the scrambled data (SD) as represented in the equations:

$$SD = (UD \oplus N)$$

$$UD = (SD \oplus N)$$

Synchronization of the descrambler to the original scrambling sequence (N) is achieved based on the knowledge that the incoming scrambled data stream consists of scrambled IDLE data. After the descrambler has recognized 12 consecutive IDLE code-groups, where an unscrambled IDLE code-group in 5B NRZ is equal to five consecutive ones (11111), it will synchronize to the receive data stream and generate unscrambled data in the form of unaligned 5B code-groups.

In order to maintain synchronization, the descrambler must continuously monitor the validity of the unscrambled data that it generates. To ensure this, a line state monitor and a hold timer are used to constantly monitor the synchronization status. Upon synchronization of the descrambler the hold timer starts a 722 μ s countdown. Upon detection of sufficient IDLE code-groups (58 bit times) within the 722 μ s period, the hold timer will reset and begin a new countdown. This monitoring operation will continue indefinitely given a properly operating network connection with good signal integrity. If the line state monitor does not recognize sufficient unscrambled IDLE code-groups within the 722 μ s period, the entire descrambler will be forced out of the current state of synchronization and reset in order to re-acquire synchronization.

4.2.8 Code-group Alignment

The code-group alignment module operates on unaligned 5-bit data from the descrambler (or, if the descrambler is bypassed, directly from the NRZI/NRZ decoder) and converts it into 5B code-group data (5 bits). Code-group alignment occurs after the J/K code-group pair is detected. Once the J/K code-group pair (11000 10001) is detected, subsequent data is aligned on a fixed boundary.

4.2.9 4B/5B Decoder

The code-group decoder functions as a look up table that translates incoming 5B code-groups into 4B nibbles. The code-group decoder first detects the J/K code-group pair preceded by IDLE code-groups and replaces the J/K with MAC preamble. Specifically, the J/K 10-bit code-group pair is replaced by the nibble pair (0101 0101). All subsequent 5B code-groups are converted to the corresponding 4B nibbles for the duration of the entire packet. This conversion ceases upon the detection of the T/R code-group pair denoting the End of Stream Delimiter (ESD) or with the reception of a minimum of two IDLE code-groups.

4.2.10 100BASE-TX Link Integrity Monitor

The 100 Base TX Link monitor ensures that a valid and stable link is established before enabling both the Transmit and Receive PCS layer.

Signal detect must be valid for 395us to allow the link monitor to enter the 'Link Up' state, and enable the transmit and receive functions.

4.2.11 Bad SSD Detection

A Bad Start of Stream Delimiter (Bad SSD) is any transition from consecutive idle code-groups to non-idle code-groups which is not prefixed by the code-group pair J/K.

If this condition is detected, the DP83849ID will assert RX_ER and present RXD[3:0] = 1110 to the MII for the cycles that correspond to received 5B code-groups until at least two IDLE code groups are detected. In addition, the False Carrier Sense Counter register (FCSCR) will be incremented by one.

Once at least two IDLE code groups are detected, RX_ER and CRS become de-asserted.

4.3 100BASE-FX Operation

The DP83849ID provides IEEE 802.3 compliant 100BASE-FX operation. Configuration of FX mode is via strap option, or through the register interface.

4.3.1 100BASE-FX Transmit

In 100BASE-FX mode, the device Transmit Pins connect to an industry standard Fiber Transceiver with PECL signaling through a capacitively coupled circuit.

In FX mode, the device bypasses the Scrambler and the MLT3 encoder. This allows for the transmission of serialized 5B4B encoded NRZI data at 125MHz.

The only added functionality from 100BASE-TX is the support for Far-End Fault data generation.

4.3.2 100BASE-FX Receive

In 100BASE-FX mode, the device Receive pins connect to an industry standard Fiber Transceiver with PECL signaling through a capacitively coupled circuit.

In FX mode, the device bypasses MLT3 Decoder and the Descrambler. This allows for the reception of serialized 5B4B encoded NRZI data at 125MHz.

The only added functionality for 100BASE-FX from 100BASE-TX is the support of Far-End Fault detection.

4.3.3 Far-End Fault

Since 10BASE-FX does not support Auto-Negotiation, a Far-End Fault facility is included which allows for detection of link failures.

When no signal is being received as determined by the Signal Detect function, the device sends a Far-End Fault indication to the far-end peer. The Far-End Fault indication is comprised of 3 or more repeating cycles, each consisting of 84 one's followed by 1 zero. The pattern is such that it will not satisfy the 10BASE-X carrier sense mechanism, but is easily detected as the Fault indication. The pattern will be transparent to devices that do not support Far-End Fault.

The Far-End Fault detection process continuously monitors the receive data stream for the Far-End Fault indication. When detected, the Link Monitor is forced to deassert Link status. This causes the device to transmit IDLE's on its transmit path.

4.4 10BASE-T TRANSCEIVER MODULE

The 10BASE-T Transceiver Module is IEEE 802.3 compliant. It includes the receiver, transmitter, collision, heartbeat, loopback, jabber, and link integrity functions, as defined in the standard. An external filter is not required on the 10BASE-T interface since this is integrated inside the DP83849ID. This section focuses on the general 10BASE-T system level operation.

4.4.1 Operational Modes

The DP83849ID has two basic 10BASE-T operational modes:

- Half Duplex mode
- Full Duplex mode

Half Duplex Mode

In Half Duplex mode the DP83849ID functions as a standard IEEE 802.3 10BASE-T transceiver supporting the CSMA/CD protocol.

Full Duplex Mode

In Full Duplex mode the DP83849ID is capable of simultaneously transmitting and receiving without asserting the collision signal. The DP83849ID's 10 Mb/s ENDEC is designed to encode and decode simultaneously.

4.4.2 Smart Squelch

The smart squelch is responsible for determining when valid data is present on the differential receive inputs. The DP83849ID implements an intelligent receive squelch to ensure that impulse noise on the receive inputs will not be mistaken for a valid signal. Smart squelch operation is independent of the 10BASE-T operational mode.

The squelch circuitry employs a combination of amplitude and timing measurements (as specified in the IEEE 802.3 10BASE-T standard) to determine the validity of data on the twisted pair inputs (refer to Figure 11).

The signal at the start of a packet is checked by the smart squelch and any pulses not exceeding the squelch level (either positive or negative, depending upon polarity) will be rejected. Once this first squelch level is overcome correctly, the opposite squelch level must then be exceeded within 150 ns. Finally the signal must again exceed the original squelch level within 150 ns to ensure that the input waveform will not be rejected. This checking procedure results in the loss of typically three preamble bits at the beginning of each packet.

Only after all these conditions have been satisfied will a control signal be generated to indicate to the remainder of the circuitry that valid data is present. At this time, the smart squelch circuitry is reset.

Valid data is considered to be present until the squelch level has not been generated for a time longer than 150 ns, indicating the End of Packet. Once good data has been detected, the squelch levels are reduced to minimize the effect of noise causing premature End of Packet detection.

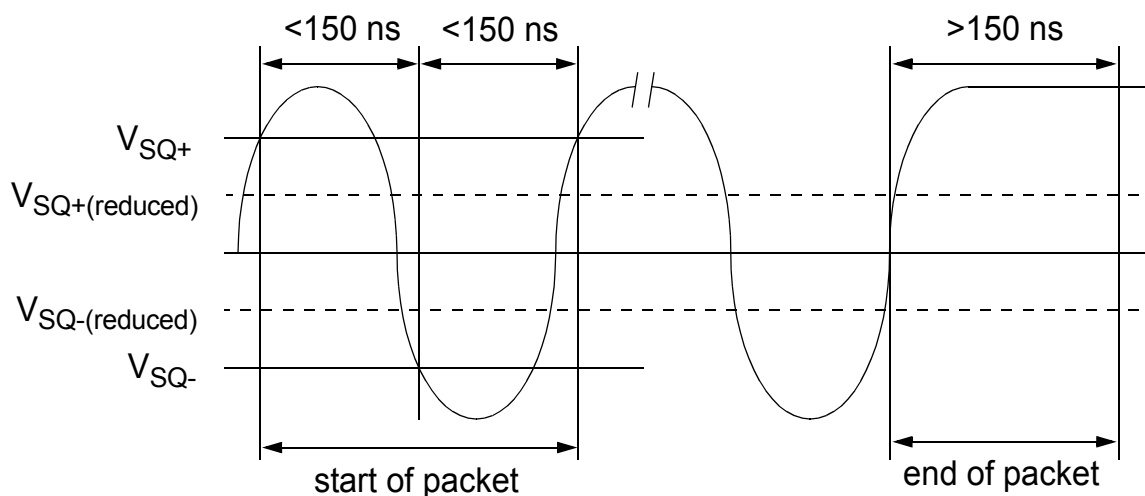


Figure 11. 10BASE-T Twisted Pair Smart Squelch Operation

4.4.3 Collision Detection and SQE

When in Half Duplex, a 10BASE-T collision is detected when the receive and transmit channels are active simultaneously. Collisions are reported by the COL signal on the MII. Collisions are also reported when a jabber condition is detected.

The COL signal remains set for the duration of the collision. If the PHY is receiving when a collision is detected it is reported immediately (through the COL pin).

When heartbeat is enabled, approximately 1 μ s after the transmission of each packet, a Signal Quality Error (SQE) signal of approximately 10-bit times is generated to indicate successful transmission. SQE is reported as a pulse on the COL signal of the MII.

The SQE test is inhibited when the PHY is set in full duplex mode. SQE can also be inhibited by setting the HEARTBEAT_DIS bit in the 10BTSCR register.

4.4.4 Carrier Sense

Carrier Sense (CRS) may be asserted due to receive activity once valid data is detected via the squelch function.

For 10 Mb/s Half Duplex operation, CRS is asserted during either packet transmission or reception.

For 10 Mb/s Full Duplex operation, CRS is asserted only during receive activity.

CRS is deasserted following an end of packet.

4.4.5 Normal Link Pulse Detection/Generation

The link pulse generator produces pulses as defined in the IEEE 802.3 10BASE-T standard. Each link pulse is nominally 100 ns in duration and transmitted every 16 ms in the absence of transmit data.

Link pulses are used to check the integrity of the connection with the remote end. If valid link pulses are not received, the link detector disables the 10BASE-T twisted pair transmitter, receiver and collision detection functions.

When the link integrity function is disabled (FORCE_LINK_10 of the 10BTSCR register), a good link is forced and the 10BASE-T transceiver will operate regardless of the presence of link pulses.

4.4.6 Jabber Function

The jabber function monitors the DP83849ID's output and disables the transmitter if it attempts to transmit a packet of longer than legal size. A jabber timer monitors the transmitter and disables the transmission if the transmitter is active for approximately 85 ms.

Once disabled by the Jabber function, the transmitter stays disabled for the entire time that the ENDEC module's internal transmit enable is asserted. This signal has to be deasserted for approximately 500 ms (the "unjab" time) before the Jabber function re-enables the transmit outputs. The Jabber function is only relevant in 10BASE-T mode.

4.4.7 Automatic Link Polarity Detection and Correction

The DP83849ID's 10BASE-T transceiver module incorporates an automatic link polarity detection circuit. When three consecutive inverted link pulses are received, bad polarity is reported.

A polarity reversal can be caused by a wiring error at either end of the cable, usually at the Main Distribution Frame (MDF) or patch panel in the wiring closet.

The bad polarity condition is latched in the 10BTSCR register. The DP83849ID's 10BASE-T transceiver module corrects for this error internally and will continue to decode received data correctly. This eliminates the need to correct the wiring error immediately.

4.4.8 Transmit and Receive Filtering

External 10BASE-T filters are not required when using the DP83849ID, as the required signal conditioning is integrated into the device.

Only isolation transformers and impedance matching resistors are required for the 10BASE-T transmit and receive interface. The internal transmit filtering ensures that all the harmonics in the transmit signal are attenuated by at least 30 dB.

4.4.9 Transmitter

The encoder begins operation when the Transmit Enable input (TX_EN) goes high and converts NRZ data to pre-emphasized Manchester data for the transceiver. For the duration of TX_EN, the serialized Transmit Data (TXD) is encoded for the transmit-driver pair (PMD Output Pair). TXD must be valid on the rising edge of Transmit Clock (TX_CLK). Transmission ends when TX_EN deasserts. The last transition is always positive; it occurs at the center of the bit cell if the last bit is a one, or at the end of the bit cell if the last bit is a zero.

4.4.10 Receiver

The decoder detects the end of a frame when no additional mid-bit transitions are detected. Within one and a half bit times after the last bit, carrier sense is deasserted. Receive clock stays active for five more bit times after CRS goes low, to guarantee the receive timings of the controller.

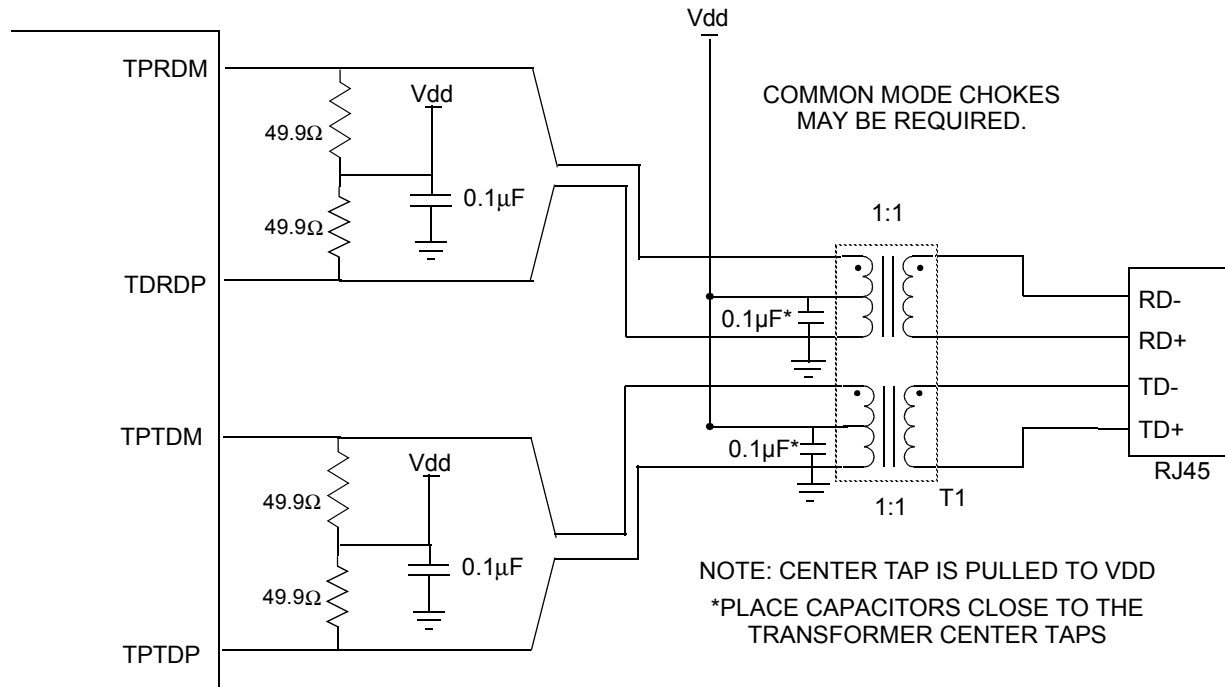
5.0 Design Guidelines

5.1 TPI Network Circuit

Figure 12 shows the recommended circuit for a 10/100 Mb/s twisted pair interface.

Below is a partial list of recommended transformers. It is important that the user realize that variations with PCB and component characteristics requires that the application be tested to ensure that the circuit meets the requirements of the intended application.

- Pulse H1102
- Pulse H2019
- Belfuse S558-5999-U7
- Halo TG110-S050N2RL



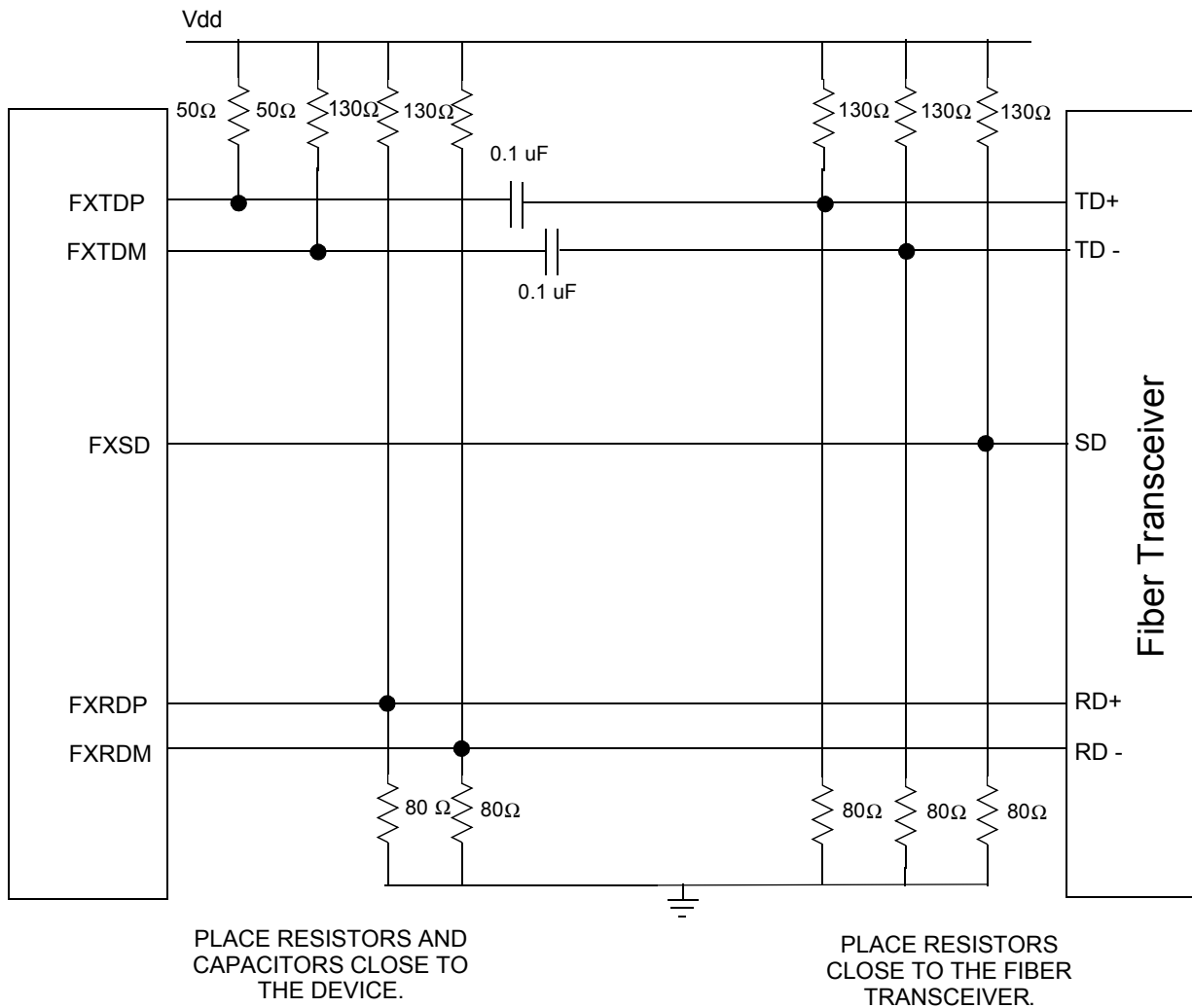
PLACE RESISTORS AND
CAPACITORS CLOSE TO
THE DEVICE.

All values are typical and are +/- 1%

Figure 12. 10/100 Mb/s Twisted Pair Interface

5.2 Fiber Network Circuit

Figure 13 shows the recommended circuit for a 100 Mb/s fiber pair interface.



All values are typical and are +/- 1%

Figure 13. 100 Mb/s Fiber Pair Interface

5.3 ESD Protection

Typically, ESD precautions are predominantly in effect when handling the devices or board before being installed in a system. In those cases, strict handling procedures need be implemented during the manufacturing process to greatly reduce the occurrences of catastrophic ESD events. After the system is assembled, internal components are less sensitive from ESD events.

The network interface pins are more susceptible to ESD events.

5.4 Clock In (X1) Requirements

The DP83849ID supports an external CMOS level oscillator source or a crystal resonator device.

Oscillator

If an external clock source is used, X1 should be tied to the clock source and X2 should be left floating.

Specifications for CMOS oscillators: 25 MHz in MII Mode and 50 MHz in RIII Mode are listed in Table 14 and Table 15.

Crystal

A 25 MHz, parallel, 20 pF load crystal resonator should be used if a crystal source is desired. Figure 14 shows a typical connection for a crystal resonator circuit. The load

capacitor values will vary with the crystal vendors; check with the vendor for the recommended loads.

The oscillator circuit is designed to drive a parallel resonance AT cut crystal with a minimum drive level of 100µW and a maximum of 500µW. If a crystal is specified for a lower drive level, a current limiting resistor should be placed in series between X2 and the crystal.

As a starting point for evaluating an oscillator circuit, if the requirements for the crystal are not known, C_{L1} and C_{L2} should be set at 33 pF, and R₁ should be set at 0Ω.

Specification for 25 MHz crystal are listed in Table 16.

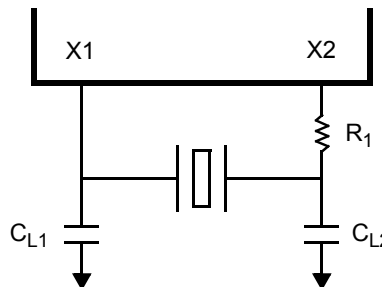


Figure 14. Crystal Oscillator Circuit

Table 14. 25 MHz Oscillator Specification

| Parameter | Min | Typ | Max | Units | Condition |
|---------------------|-----|-----|------------------|-------|-------------------------|
| Frequency | | 25 | | MHz | |
| Frequency Tolerance | | | ±50 | ppm | Operational Temperature |
| Frequency Stability | | | ±50 | ppm | 1 year aging |
| Rise / Fall Time | | | 6 | nsec | 20% - 80% |
| Jitter | | | 800 ¹ | psec | Short term |
| Jitter | | | 800 ¹ | psec | Long term |
| Symmetry | 40% | | 60% | | Duty Cycle |

¹ This limit is provided as a guideline for component selection and to guaranteed by production testing. Refer to AN-1548, "PHYTER 100 Base-TX Reference Clock Jitter Tolerance," for details on jitter performance.

Table 15. 50 MHz Oscillator Specification

| Parameter | Min | Typ | Max | Units | Condition |
|---------------------|-----|-----|------------------|-------|-------------------------|
| Frequency | | 50 | | MHz | |
| Frequency Tolerance | | | ±50 | ppm | Operational Temperature |
| Frequency Stability | | | ±50 | ppm | Operational Temperature |
| Rise / Fall Time | | | 6 | nsec | 20% - 80% |
| Jitter | | | 800 ¹ | psec | Short term |
| Jitter | | | 800 ¹ | psec | Long term |
| Symmetry | 40% | | 60% | | Duty Cycle |

¹ This limit is provided as a guideline for component selection and to guaranteed by production testing. Refer to AN-1548, "PHYTER 100 Base-TX Reference Clock Jitter Tolerance," for details on jitter performance.

Table 16. 25 MHz Crystal Specification

| Parameter | Min | Typ | Max | Units | Condition |
|---------------------|-----|-----|-----|-------|-------------------------|
| Frequency | | 25 | | MHz | |
| Frequency Tolerance | | | ±50 | ppm | Operational Temperature |
| Frequency Stability | | | ±50 | ppm | 1 year aging |
| Load Capacitance | 25 | | 40 | pF | |

5.5 Power Feedback Circuit

To ensure correct operation for the DP83849ID, parallel caps with values of 10 μF and 0.1 μF should be placed close to pin 31 (PFBOUT) of the device. Pin 7 (PFBIN1), pin 28 (PFBIN2), pin 34 (PFBIN3) and pin 54 (PFBIN4) must be connected to pin 31 (PFBOUT), each pin requires

a small capacitor (.1 μF). See Figure 15 below for proper connections.

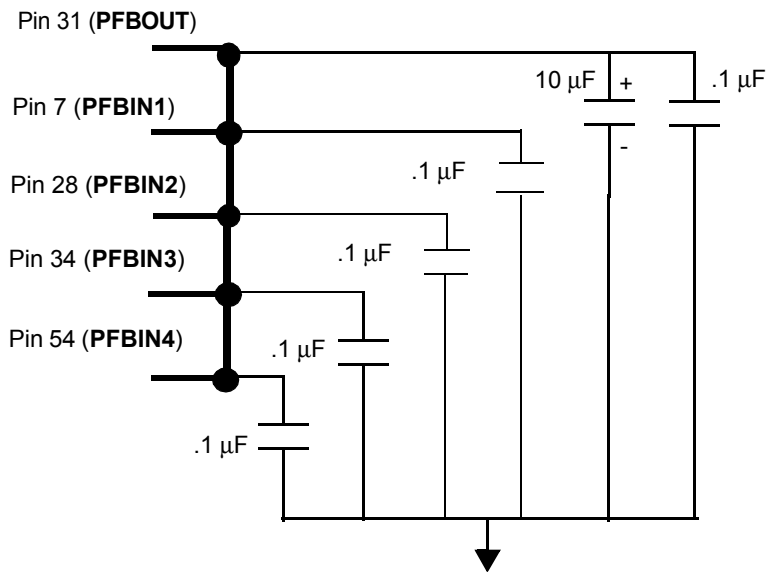


Figure 15. Power Feedback Connection

5.6 Power Down/Interrupt

The Power Down and Interrupt functions are multiplexed on pin 18 and pin 44 of the device. By default, this pin functions as a power down input and the interrupt function is disabled. Setting bit 0 (INT_OE) of MICR (11h) will configure the pin as an active low interrupt output. Ports A and B can be powered down individually, using the separate PWRDOWN_INT_A and PWRDOWN_INT_B pins.

5.6.1 Power Down Control Mode

The PWRDOWN_INT pins can be asserted low to put the device in a Power Down mode. This is equivalent to setting bit 11 (Power Down) in the Basic Mode Control Register, BMCR (00h). An external control signal can be used to drive the pin low, overcoming the weak internal pull-up resistor. Alternatively, the device can be configured to initialize into a Power Down state by use of an external pull-down resistor on the PWRDOWN_INT pin. Since the device will still respond to management register accesses, setting the INT_OE bit in the MICR register will disable the PWRDOWN_INT input, allowing the device to exit the Power Down state.

5.6.2 Interrupt Mechanisms

Since each port has a separate interrupt pin, the interrupts can be connected individually or may be combined in a wired-OR fashion. If the interrupts share a single connection, each port status should be checked following an interrupt.

The interrupt function is controlled via register access. All interrupt sources are disabled by default. Setting bit 1 (INTEN) of MICR (11h) will enable interrupts to be output, dependent on the interrupt mask set in the lower byte of the MISR (12h). The PWRDOWN_INT pin is asynchronously asserted low when an interrupt condition occurs. The source of the interrupt can be determined by reading the upper byte of the MISR. One or more bits in the MISR will be set, denoting all currently pending interrupts. Reading of the MISR clears ALL pending interrupts.

Example: To generate an interrupt on a change of link status or on a change of energy detect power state, the steps would be:

- Write 0003h to MICR to set INTEN and INT_OE
- Write 0060h to MISR to set ED_INT_EN and LINK_INT_EN
- Monitor PWRDOWN_INT pin

When PWRDOWN_INT pin asserts low, the user would read the MISR register to see if the ED_INT or LINK_INT bits are set, i.e. which source caused the interrupt. After reading the MISR, the interrupt bits should clear and the PWRDOWN_INT pin will deassert.

5.7 Energy Detect Mode

When Energy Detect is enabled and there is no activity on the cable, the DP83849ID will remain in a low power mode while monitoring the transmission line. Activity on the line will cause the DP83849ID to go through a normal power up sequence. Regardless of cable activity, the DP83849ID will occasionally wake up the transmitter to put ED pulses on the line, but will otherwise draw as little power as possible. Energy detect functionality is controlled via register Energy Detect Control (EDCR), address 1Dh.

5.8 Link Diagnostic Capabilities

The DP83849ID contains several system diagnostic capabilities for evaluating link quality and detecting potential cabling faults in Twisted Pair cabling. Software configuration is available through the Link Diagnostics Registers - Page 2 which can be selected via Page Select Register (PAGESEL), address 13h. These capabilities include:

- Linked Cable Status
- Link Quality Monitor
- TDR (Time Domain Reflectometry) Cable Diagnostics

5.8.1 Linked Cable Status

In an active connection with a valid link status, the following diagnostic capabilities are available:

- Polarity reversal
- Cable swap (MDI vs MDIX) detection
- 100Mb Cable Length Estimation
- Frequency offset relative to link partner
- Cable Signal Quality Estimation

5.8.1.1 Polarity Reversal

The DP83849ID detects polarity reversal by detecting negative link pulses. The Polarity indication is available in bit 12 of the PHYSTS (10h) or bit 4 of the 10BTSCR (1Ah). Inverted polarity indicates the positive and negative conductors in the receive pair are swapped. Since polarity is corrected by the receiver, this does not necessarily indicate a functional problem in the cable.

Since the polarity indication is dependent on link pulses from the link partner, polarity indication is only valid in 10Mb modes of operation, or in 100Mb Auto-Negotiated mode. Polarity indication is not available in 100Mb forced mode of operation or in a parallel detected 100Mb mode.

5.8.1.2 Cable Swap Indication

As part of Auto-Negotiation, the DP83849ID has the ability (using Auto-MDIX) to automatically detect a cable with swapped MDI pairs and select the appropriate pairs for transmitting and receiving data. Normal operation is termed MDI, while crossed operation is MDIX. The MDIX status can be read from bit 14 of the PHYSTS (10h).

5.8.1.3 100MB Cable Length Estimation

The DP83849ID provides a method of estimating cable length based on electrical characteristics of the 100Mb Link. This essentially provides an effective cable length rather than a measurement of the physical cable length. The cable length estimation is only available in 100Mb mode of operation with a valid Link status. The cable length estimation is available at the Link Diagnostics Registers - Page 2, register 100Mb Length Detect (LEN100_DET), address 14h.

5.8.1.4 Frequency Offset Relative to Link Partner

As part of the 100Mb clock recovery process, the DSP implementation provides a frequency control parameter. This value may be used to indicate the frequency offset of the device relative to the link partner. This operation is only available in 100Mb operation with a valid link status. The frequency offset can be determined using the register 100Mb Frequency Offset Indication (FREQ100), address 15h, of the Link Diagnostics Registers - Page 2.

Two different versions of the Frequency Offset may be monitored through bits [7:0] of register FREQ100 (15h). The first is the long-term Frequency Offset. The second is the current Frequency Control value, which includes short-term phase adjustments and can provide information on the amount of jitter in the system.

5.8.1.5 Cable Signal Quality Estimation

The cable signal quality estimator keeps a simple tracking of results of the DSP and can be used to generate an approximate Signal-to-Noise Ratio for the 100Mb receiver. This information is available to software through the Link Diagnostics Registers - Page 2: Variance Control (VAR_CTRL), address 1Ah and Data (VAR_DATA), address 1Bh.

The variance computation times (VAR_TIMER) can be chosen from the set of {2, 4, 6, 8} ms. The 32-bit variance sum can be read by two consecutive reads of the VAR_DATA register. This sum can be used to compute an SNR estimate by software using the following equation:

$$\text{SNR} = 10\log_{10}((37748736 * \text{VAR_TIMER}) / \text{Variance}).$$

5.8.2 Link Quality Monitor

The Link Quality Monitor allows a method to generate an alarm when the DSP adaption strays from a programmable window. This could occur due to changes in the cable which could indicate a potential problem. Software can program thresholds for the following DSP parameters to be used to interrupt the system:

- Digital Equalizer C1 Coefficient (DEQ C1)
- Digital Adaptive Gain Control (DAGC)
- Digital Base-Line Wander Control (DBLW)
- Recovered Clock Long-Term Frequency Offset (FREQ)
- Recovered Clock Frequency Control (FC)

Software is expected to read initial adapted values and then program the thresholds based on an expected valid range. This mechanism takes advantage of the fact that the DSP adaption should remain in a relatively small range once a valid link has been established.

5.8.2.1 Link Quality Monitor Control and Status

Control of the Link Quality Monitor is done through the Link Quality Monitor Register (LQMR), address 1Dh and the Link Quality Data Register (LQDR), address 1Bh of the Link Diagnostics Registers - Page 2. The LQMR register includes a global enable to enable the Link Quality Monitor function. In addition, it provides warning status from both high and low thresholds for each of the monitored parameters. Note that individual low or high parameter threshold comparisons can be disabled by setting to the minimum or maximum values.

To allow the Link Quality Monitor to interrupt the system, the Interrupt must be enabled through the interrupt control registers, MICR (11h) and MISR (12h).

5.8.2.2 Checking Current Parameter Values

Prior to setting Threshold values, it is recommended that software check current adapted values. The thresholds may then be set relative to the adapted values. The current adapted values can be read using the LQDR register by setting the Sample_Param bit [13] of LQDR, address (1Eh).

For example, to read the DBLW current value:

1. Write 2400h to LQDR (1Eh) to set the Sample_Param bit and set the LQ_PARAM_SEL[2:0] to 010.
2. Read LQDR (1Eh). Current DBLW value is returned in the low 8 bits.

5.8.2.3 Threshold Control

The LQDR (1Eh) register also provides a method of programming high and low thresholds for each of the four parameters that can be monitored. The register implements an indirect read/write mechanism.

Writes are accomplished by writing data, address, and a write strobe to the register. Reads are accomplished by writing the address to the register, and reading back the value of the selected threshold. Setting thresholds to the maximum or minimum values will disable the threshold comparison since values have to exceed the threshold to generate a warning condition.

Warnings are not generated if the parameter is equal to the threshold. By default, all thresholds are disabled by setting to the min or max values. The following table shows the four parameters and range of values:

Table 17. Link Quality Monitor Parameter Ranges

| Parameter | Minimum Value | Maximum Value | Min (2-s comp) | Max (2-s comp) |
|--------------|---------------|---------------|----------------|----------------|
| DEQ C1 | -128 | +127 | 0x80 | 0x7F |
| DAGC | 0 | +255 | 0x00 | 0xFF |
| DBLW | -128 | +127 | 0x80 | 0x7F |
| Freq Offset | -128 | +127 | 0x80 | 0x7F |
| Freq Control | -128 | +127 | 0x80 | 0x7F |

5.8.3 TDR Cable Diagnostics

The DP83849ID implements a Time Domain Reflectometry (TDR) method of cable length measurement and evaluation which can be used to evaluate a connected twisted pair cable. The TDR implementation involves sending a pulse out on either the Transmit or Receive conductor pair and observing the results on either pair. By observing the types and strength of reflections on each pair, software can determine the following:

- Cable short
- Cable open
- Distance to fault
- Identify which pair has a fault
- Pair skew

The TDR cable diagnostics works best in certain conditions. For example, an unterminated cable provides a good reflection for measuring cable length, while a cable with an ideal termination to an unpowered partner may provide no reflection at all.

5.8.3.1 TDR Pulse Generator

The TDR implementation can send two types of TDR pulses. The first option is to send 50ns or 100ns link pulses from the 10Mb Common Driver. The second option is to send pulses from the 100Mb Common Driver in 8ns increments up to 56ns in width. The 100Mb pulses will alternate between positive and negative pulses. The shorter pulses provide better ability to measure short cable lengths, especially since they will limit overlap between the transmitted pulse and a reflected pulse. The longer pulses may provide better measurements of long cable lengths.

In addition, if the pulse width is programmed to 0, no pulse will be sent, but monitor circuit will still be activated. This allows sampling of background data to provide a baseline for analysis.

5.8.3.2 TDR Pulse Monitor

The TDR function monitors data from the Analog to Digital Converter (ADC) to detect both peak values and values above a programmable threshold. It can be programmed to detect maximum or minimum values. In addition, it

records the time, in 8ns intervals, at which the peak or threshold value first occurs.

The TDR monitor implements a timer that starts when the pulse is transmitted. A window may be enabled to qualify incoming data to look for response only in a desired range. This is especially useful for eliminating the transmitted pulse, but also may be used to look for multiple reflections.

5.8.3.3 TDR Control Interface

The TDR Control interface is implemented in the Link Diagnostics Registers - Page 2 through TDR Control (TDR_CTRL), address 16h and TDR Window (TDR_WIN), address 17h. The following basic controls are:

- **TDR Enable:** Enable bit 15 of TDR_CTRL (16h) to allow the TDR function. This bypasses normal operation and gives control of the CD10 and CD100 block to the TDR function.
- **TDR Send Pulse:** Enable bit 11 of TDR_CTRL (16h) to send the TDR pulse and starts the TDR Monitor.

The following Transmit mode controls are available:

- **Transmit Mode:** Enables use of 10Mb Link pulses from the 10Mb Common Driver or data pulses from the 100Mb Common Driver by enabling TDR 100Mb, bit 14 of TDR_CTRL (16h).
- **Transmit Pulse Width:** Bits [10:8] of TDR_CTRL (16h) allows sending of 0 to 7 clock width pulses. Actual pulses are dependent on the transmit mode. If Pulse Width is set to 0, then no pulse will be sent.
- **Transmit Channel Select:** The transmitter can send pulses down either the transmit pair or the receive pair by enabling bit 13 of TDR_CTRL (16h). Default value is to select the transmit pair.

The following Receive mode controls are available:

- **Min/Max Mode Select:** Bit 7 of TDR_CTRL (16h) controls the TDR Monitor operation. In default mode, the monitor will detect maximum (positive) values. In Min mode, the monitor will detect minimum (negative) values.
- **Receive Channel Select:** The receiver can monitor either the transmit pair or the receive pair by enabling bit 12 of TDR_CTRL (16h). Default value is to select the transmit pair.

— **Receive Window:** The receiver can monitor receive data within a programmable window using the TDR Window Register (TDR_WIN), address 17h. The window is controlled by two register values: TDR Start Window, bits [15:8] of TDR_WIN (17h) and TDR Stop Window, bits [7:0] of TDR_WIN (17h). The TDR Start Window indicates the first clock to start sampling. The TDR Stop Window indicates the last clock to sample. By default, the full window is enabled, with Start set to 0 and Stop set to 255. The window range is in 8ns clock increments, so the maximum window size is 2048ns.

5.8.3.4 TDR Results

The TDR function monitors data from the Analog to Digital Converter (ADC) to detect both peak values and values above a programmable threshold. It can be programmed to detect maximum or minimum values. In addition, it records the time, in 8ns intervals, at which the peak or threshold value first occurs. The results of a TDR peak and

threshold measurement are available in the TDR Peak Measurement Register (TDR_PEAK), address 18h and TDR Threshold Measurement Register (TDR_THR), address 19h. The threshold measurement may be a more accurate method of measuring the length for longer cables to provide a better indication of the start of the received pulse, rather than the peak value.

Software utilizing the TDR function should implement an algorithm to send TDR pulses and evaluate results. Multiple runs should be used to best qualify any received pulses as multiple reflections could exist. In addition, when monitoring the transmitting pair, the window feature should be used to disqualify the transmitted pulse. Multiple runs may also be used to average the values providing more accurate results.

Actual distance measurements are dependent on the velocity of propagation of the cable. The delay value is typically on the order of 4.6 to 4.9 ns/m.

6.0 Reset Operation

The DP83849ID includes an internal power-on reset (POR) function and does not need to be explicitly reset for normal operation after power up. If required during normal operation, the device can be reset by a hardware or software reset.

6.1 Hardware Reset

A hardware reset is accomplished by applying a low pulse (TTL level), with a duration of at least 1 μ s, to the RESET_N pin. This will reset the device such that all registers will be reinitialized to default values and the hardware configuration values will be re-latched into the device (similar to the power-up/reset operation).

6.2 Full Software Reset

A full-chip software reset is accomplished by setting the reset bit (bit 15) of the Basic Mode Control Register

(BMCR). The period from the point in time when the reset bit is set to the point in time when software reset has concluded is approximately 1 μ s.

The software reset will reset the device such that all registers will be reset to default values and the hardware configuration values will be maintained. Software driver code must wait 3 μ s following a software reset before allowing further serial MII operations with the DP83849ID.

6.3 Soft Reset

A partial software reset can be initiated by setting the Soft Reset bit (bit 9) in the PHYCR2 Register. Setting this bit will reset all transmit and receive operations, but will not reset the register space. All register configurations will be preserved. Register space will remain available following a Soft Reset.

7.0 Register Block

Table 18. Register Map

| Offset | | Access | Tag | Description |
|--|---------|--------|------------|--|
| Hex | Decimal | | | |
| 00h | 0 | RW | BMCR | Basic Mode Control Register |
| 01h | 1 | RO | BMSR | Basic Mode Status Register |
| 02h | 2 | RO | PHYIDR1 | PHY Identifier Register #1 |
| 03h | 3 | RO | PHYIDR2 | PHY Identifier Register #2 |
| 04h | 4 | RW | ANAR | Auto-Negotiation Advertisement Register |
| 05h | 5 | RW | ANLPAR | Auto-Negotiation Link Partner Ability Register (Base Page) |
| 05h | 5 | RW | ANLPARNP | Auto-Negotiation Link Partner Ability Register (Next Page) |
| 06h | 6 | RW | ANER | Auto-Negotiation Expansion Register |
| 07h | 7 | RW | ANNPTR | Auto-Negotiation Next Page TX |
| 08h-Fh | 8-15 | | RESERVED | RESERVED |
| 10h | 16 | RO | PHYSTS | PHY Status Register |
| 11h | 17 | RW | MICR | MII Interrupt Control Register |
| 12h | 18 | RW | MISR | MII Interrupt Status Register |
| 13h | 19 | RW | PAGESEL | Page Select Register |
| Extended Registers - Page 0 | | | | |
| 14h | 20 | RO | FCSCR | False Carrier Sense Counter Register |
| 15h | 21 | RO | RECR | Receive Error Counter Register |
| 16h | 22 | RW | PCSR | PCS Sub-Layer Configuration and Status Register |
| 17h | 23 | RW | RBR | RMI and Bypass Register |
| 18h | 24 | RW | LEDCR | LED Direct Control Register |
| 19h | 25 | RW | PHYCR | PHY Control Register |
| 1Ah | 26 | RW | 10BTSCR | 10Base-T Status/Control Register |
| 1Bh | 27 | RW | CDCTRL1 | CD Test Control Register and BIST Extensions Register |
| 1Ch | 28 | RW | PHYCR2 | Phy Control Register 2 |
| 1Dh | 29 | RW | EDCR | Energy Detect Control Register |
| 1Eh-1Fh | 30-31 | | RESERVED | RESERVED |
| Reserved Registers | | | | |
| 14h-1Fh | 20-31 | | RESERVED | RESERVED |
| Link Diagnostics Registers - Page 2 | | | | |
| 14h | 20 | RO | LEN100_DET | 100Mb Length Detect Register |
| 15h | 21 | RW | FREQ100 | 100Mb Frequency Offset Indication Register |
| 16h | 22 | RW | TDR_CTRL | TDR Control Register |
| 17h | 23 | RW | TDR_WIN | TDR Window Register |
| 18h | 24 | RO | TDR_PEAK | TDR Peak Measurement Register |
| 19h | 25 | RO | TDR_THR | TDR Threshold Measurement Register |
| 1Ah | 26 | RW | VAR_CTRL | Variance Control Register |
| 1Bh | 27 | RO | VAR_DAT | Variance Data Register |
| 1Ch | 28 | | RESERVED | RESERVED |
| 1Dh | 29 | RW | LQMR | Link Quality Monitor Register |
| 1Eh | 30 | RW | LQDR | Link Quality Data Register |
| 1Fh | 31 | | RESERVED | RESERVED |

Table 19. Register Table

| Register Name | Addr | Tag | Bit 15 | Bit 14 | Bit 13 | Bit 12 | Bit 11 | Bit 10 | Bit 9 | Bit 8 | Bit 7 | Bit 6 | Bit 5 | Bit 4 | Bit 3 | Bit 2 | Bit 1 | Bit 0 |
|--|--------|---------------------|---------------|----------------|-----------------|-----------------|---------------------|---------------|------------------|--------------|----------------|-----------------------|-------------------|--------------------|--------------------|--------------------|--------------------|---------------------|
| Basic Mode Control Register | 00h | BMCRC | Reset | Loop-back | Speed Selection | Auto-Neg Enable | Power Down | Isolate | Restart Auto-Neg | Duplex Mode | Collision Test | Reserved | Reserved | Reserved | Reserved | Reserved | Reserved | Reserved |
| Basic Mode Status Register | 01h | BMSR | 100Base-T4 | 100Base-TX FDX | 100Base-TX HDX | 10Base-T FDX | 10Base-T HDX | Reserved | Reserved | Reserved | Reserved | MF Printable Suppress | Auto-Neg Complete | Remote Fault | Auto-Neg Ability | Link Status | Jabber Detect | Extended Capability |
| PHY Identifier Register 1 | 02h | PHYIDR ₁ | OUI MSB | OUI MSB | OUI MSB | OUI MSB | OUI MSB | OUI MSB | OUI MSB | OUI MSB | OUI MSB | OUI MSB | OUI MSB | OUI MSB | OUI MSB | OUI MSB | OUI MSB | OUI MSB |
| PHY Identifier Register 2 | 03h | PHYIDR ₂ | OUI LSB | OUI LSB | OUI LSB | OUI LSB | OUI LSB | OUI LSB | VNDR_MDL | VNDR_MDL | VNDR_MDL | VNDR_MDL | VNDR_MDL | VNDR_MDL | VNDR_MDL | VNDR_MDL | VNDR_MDL | VNDR_MDL |
| Auto-Negotiation Advertisement Register | 04h | ANAR | Next Page Ind | Reserved | Remote Fault | Reserved | ASMR | PAUSE | T4 | TX_FD | TX | 10_FD | 10 | Protocol Selection | Protocol Selection | Protocol Selection | Protocol Selection | MDL_REV |
| Auto-Negotiation Link Partner Ability Register (Base Page) | 05h | ANLPAR | Next Page Ind | ACK | Remote Fault | Reserved | ASMR | PAUSE | T4 | TX_FD | TX | 10_FD | 10 | Protocol Selection | Protocol Selection | Protocol Selection | Protocol Selection | Protocol Selection |
| Auto-Negotiation Link Partner Ability Register Next Page | 05h | ANLPARNP | Next Page Ind | ACK | Mes-sage Page | ACK2 | Toggle | Code | Code | Code | Code | Code | Code | Code | Code | Code | Code | Code |
| Auto-Negotiation Expansion Register | 06h | ANER | Reserved | Reserved | Reserved | Reserved | Reserved | Reserved | Reserved | Reserved | Reserved | Reserved | Reserved | Reserved | Reserved | Reserved | Reserved | Reserved |
| Auto-Negotiation Next Page TX Register | 07h | ANNPTR | Next Page Ind | Reserved | Mes-sage Page | ACK2 | TOG_TX | CODE | CODE | CODE | CODE | CODE | CODE | CODE | CODE | CODE | CODE | CODE |
| RESERVED | 08-0fh | | Reserved | Reserved | Reserved | Reserved | Reserved | Reserved | Reserved | Reserved | Reserved | Reserved | Reserved | Reserved | Reserved | Reserved | Reserved | Reserved |
| PHY Status Register | 10h | PHYSTS | Reserved | MIDX mode | Rx Err Latch | Polarity Status | False Carrier Sense | Signal Detect | De-scribler Lock | Page Receive | Mill Interrupt | Remote Fault | Jabber Detect | Auto-Neg Complete | Loop-back Status | Duplex Status | Speed Status | Link Status |
| Mill Interrupt Control Register | 11h | MICR | Reserved | Reserved | Reserved | Reserved | Reserved | Reserved | Reserved | Reserved | Reserved | Reserved | Reserved | Reserved | Reserved | Reserved | Reserved | Reserved |
| Mill Interrupt Status and Misc. Control Register | 12h | MISR | LQ_INT | ED_INT | LINK_INT | SPD_INT | DUP_INT | ANC_INT | FHF_INT | RHF_INT | LQ_INT | ED_INT | LINK_INT | SPD_INT | DUP_INT | ANC_INT | FHF_INT | RHF_INT |
| Page Select Register | 13h | Reserved | Reserved | Reserved | Reserved | Reserved | Reserved | Reserved | Reserved | Reserved | Reserved | Reserved | Reserved | Reserved | Reserved | Reserved | Reserved | Reserved |

EXTENDED REGISTERS - PAGE 0

| | | | | | | | | | | | | | | | | | | |
|---|-----|-------|----------|----------|----------|----------|-----------|----------|----------------------|-----------|------------|----------|--------------|----------|----------|-------------|--------------|----------|
| False Carrier Sense Counter Register | 14h | FCSCR | Reserved | Reserved | Reserved | Reserved | Reserved | Reserved | Reserved | Reserved | Reserved | Reserved | Reserved | Reserved | Reserved | Reserved | Reserved | Reserved |
| Receive Error Counter Register | 15h | RECR | Reserved | Reserved | Reserved | Reserved | Reserved | Reserved | Reserved | Reserved | Reserved | Reserved | Reserved | Reserved | Reserved | Reserved | Reserved | Reserved |
| PCS Sub-Layer Configuration and Status Register | 16h | PCSR | Reserved | Reserved | Reserved | Reserved | FREE_C LK | TQ_EN | SD_FOR CE_PMA OPTION | SD_OPTION | DESC_T IME | FX_EN | FORCE_100_OK | Reserved | FEFLEN | NRZL_BYPASS | SCRAM_BYPASS | DE |

Table 19. Register Table

| Register Name | Addr | Tag | Bit 15 | Bit 14 | Bit 13 | Bit 12 | Bit 11 | Bit 10 | Bit 9 | Bit 8 | Bit 7 | Bit 6 | Bit 5 | Bit 4 | Bit 3 | Bit 2 | Bit 1 | Bit 0 |
|--|---------|-----------------|--------------------------|--------------------------|--------------------------|--------------------------|--------------------------|--------------------------|-----------------|----------------|------------------|-------------------|------------------------|------------------|------------------|-----------------------|-------------------|------------------|
| RMII and Bypass Register | 17h | RBR | SIM_WR ITE | Re- served | DIS_TX_ OPT | Re- served | Re- served | Re- served | PMD_LO OP | Re- served | BLINK_F REQ | Re- served | RMII_M ODE | RMI_LRE V1_0 | RX_OVF _STS | RX_UNF _STS | ELAST_ BUF | ELAST_ BUF |
| LED Direct Control Register | 18h | LEDCR | Re- served | Re- served | Re- served | Re- served | Re- served | Re- served | LEDACT _RX | Re- served | BLINK_F REQ | BLINK_F REQ | DRV_SP DLED | DRV_LN KLED | DRV_AC TLED | SPDLED | LNKLED | ACTLED |
| PHY Control Register | 19h | PHYCR | MDX_E N | FORCE_ MDIX | PAUSE_ RX | Re- served | Re- served | Re- served | BIST_ STATUS | BIST_ ART | BP_STR ETCH | LED_ CNFG[0] | LED_ CNFG[0] | PHY ADDR | PHY ADDR | PHY ADDR | PHY ADDR | PHY ADDR |
| 10Base-T Status/Control Register | 1Ah | 10BT_S ERIAL | Re- served | Re- served | Re- served | Re- served | Re- served | Re- served | SQUEL CH | SQUEL CH | LP_DIS | FORCE_ LINK_10 | Re- served | POLARI- TY | Re- served | Re- served | HEARTB EAT_DIS | JABBER _DIS |
| CD Test Control and BIST Extensions Register | 1Bh | CDCTRL 1 | BIST_ER ROR_C OUNT | BIST_ER ROR_C OUNT | BIST_ER ROR_C OUNT | BIST_ER ROR_C OUNT | BIST_ER ROR_C OUNT | BIST_ER ROR_C OUNT | SQUEL CH | SQUEL CH | Re- served | Re- served | BIST_C ONT_M ODE | CDPatE N_10 | Re- served | 10Meg_ Pat_Ga p | CDPat- Sel | CDPat- Sel |
| Phy Control Register 2 | 1Ch | PHYCR2 | Re- served | Re- served | Re- served | Re- served | Re- served | Re- served | SOFT_R ESET | Re- served | Re- served | Re- served | Re- served | Re- served | Re- served | Re- served | Re- served | Re- served |
| Energy Detect Control Register | 1Dh | EDCR | ED_EN | ED_AUT O_UP | ED_AUT O_DOW N | ED_MAN | ED_BUR ST_DIS | ED_PW R_STAT E | ED_ERR _MET | ED_ERR _MET | ED_ERR _COUNT | ED_ERR _COUNT | ED_ERR _COUNT | ED_ERR _COUNT | ED_ERR _COUNT | ED_ERR _COUNT | ED_ERR _COUNT | ED_ERR _COUNT |
| RESERVED | 1Eh-1Fh | Re- served | Re- served | Re- served | Re- served | Re- served | Re- served | Re- served | Re- served | Re- served | Re- served | Re- served | Re- served | Re- served | Re- served | Re- served | Re- served | Re- served |

RESERVED REGISTERS

| Register Name | Addr | Tag | Bit 15 | Bit 14 | Bit 13 | Bit 12 | Bit 11 | Bit 10 | Bit 9 | Bit 8 | Bit 7 | Bit 6 | Bit 5 | Bit 4 | Bit 3 | Bit 2 | Bit 1 | Bit 0 |
|--|---------|----------------|-----------------|---------------|----------------|----------------|---------------|---------------|---------------|---------------|----------------------|---------------|------------------|------------------|------------------|------------------|------------------|------------------|
| RESERVED | 14h-1Fh | Re- served | Re- served | Re- served | Re- served | Re- served | Re- served | Re- served | Re- served | Re- served | Re- served | Re- served | Re- served | Re- served | Re- served | Re- served | Re- served | Re- served |
| LINK DIAGNOSTICS REGISTERS - PAGE 2 | | | | | | | | | | | | | | | | | | |
| 100Mb Length Detect Register | 14h | LEN100_ DET | Re- served | Re- served | Re- served | Re- served | Re- served | Re- served | Re- served | Re- served | Re- served | Re- served | Re- served | Re- served | Re- served | Re- served | Re- served | Re- served |
| 100Mb Frequency Offset Indication Register | 15h | FREQ10 0 | SAMPLE _FREQ | Re- served | Re- served | Re- served | Re- served | Re- served | Re- served | Re- served | Re- served | Re- served | Re- served | Re- served | Re- served | Re- served | Re- served | Re- served |
| TDR Control Register | 16h | TDR_CT RL | TDR_EN ABLE | TDR_10 0Mb | TX_CHA NNEL | RX_CHA NNEL | SEND_T DR | TDR_WI DTH | TDR_WI DTH | TDR_WI DTH | TDR_MI N_MOD E | Re- served | RX_THR ESHOLD | RX_THR ESHOLD | RX_THR ESHOLD | RX_THR ESHOLD | RX_THR ESHOLD | RX_THR ESHOLD |
| TDR Window Register | 17h | TDR_WI N | TDR_ST ART | TDR_ST ART | TDR_ST ART | TDR_ST ART | TDR_ST ART | TDR_ST ART | TDR_ST ART | TDR_ST ART | TDR_ST OP | TDR_ST OP | TDR_ST OP | TDR_ST OP | TDR_ST OP | TDR_ST OP | TDR_ST OP | TDR_ST OP |
| TDR Peak Register | 18h | TDR_PE AK | Re- served | TDR_PE AK | TDR_PE AK | TDR_PE AK | TDR_PE AK | TDR_PE AK | TDR_PE AK | TDR_PE AK | TDR_PE AK | TDR_PE AK | TDR_PE AK | TDR_PE AK | TDR_PE AK | TDR_PE AK | TDR_PE AK | TDR_PE AK |
| TDR Threshold Register | 19h | TDR_TH R | Re- served | Re- served | Re- served | Re- served | Re- served | Re- served | Re- served | Re- served | Re- served | Re- served | Re- served | Re- served | Re- served | Re- served | Re- served | Re- served |
| Variance Control Register | 1Ah | VAR_CT RL | VAR_RD Y | Re- served | Re- served | Re- served | Re- served | Re- served | Re- served | Re- served | Re- served | Re- served | Re- served | Re- served | Re- served | Re- served | Re- served | Re- served |
| Variance Data Register | 1Bh | VAR_DA TA | VAR_DA TA | VAR_DA TA | VAR_DA TA | VAR_DA TA | VAR_DA TA | VAR_DA TA | VAR_DA TA | VAR_DA TA | VAR_DA TA | VAR_DA TAT | VAR_DA TAT | VAR_DA TAT | VAR_DA TAT | VAR_DA TAT | VAR_DA TAT | VAR_DA TAT |
| RESERVED | 1Ch | Re- served | Re- served | Re- served | Re- served | Re- served | Re- served | Re- served | Re- served | Re- served | Re- served | Re- served | Re- served | Re- served | Re- served | Re- served | Re- served | Re- served |

Table 19. Register Table

| Register Name | Addr | Tag | Bit 15 | Bit 14 | Bit 13 | Bit 12 | Bit 11 | Bit 10 | Bit 9 | Bit 8 | Bit 7 | Bit 6 | Bit 5 | Bit 4 | Bit 3 | Bit 2 | Bit 1 | Bit 0 |
|-------------------------------|------|---------------|----------------|---------------|------------------|-----------------|------------------|------------------|------------------|----------------|--------------------|-------------------------|--------------------|-------------------------|--------------------|-------------------------|-----------------|-----------------|
| Link Quality Monitor Register | 1Dh | LQMR | LOM_EN ABLE | Re- served | Re- served | Re- served | Re- served | Re- served | FC_HI_ WARN | FC_LO_ WARN | FREQ_HI_ L_WARN | FREQ_LO_ O_WARN N | DBLW_HI_ L_WARN | DBLW_LO_ O_WARN N | DAGC_HI_ L_WARN | DAGC_LO_ O_WARN N | C1_HI_ WARN | C1_LO_ WARN |
| Link Quality Data Register | 1Eh | LQDR | Re- served | Re- served | SAMPLE_ PARAM | WRITE LQ_THR | LQ_PAR AM_SEL | LQ_PAR AM_SEL | LQ_PAR AM_SEL | LQ_THR _SEL | LQ_THR _DATA | LQ_THR _DATA | LQ_THR _DATA | LQ_THR _DATA | LQ_THR _DATA | LQ_THR _DATA | LQ_THR _DATA | LQ_THR _DATA |
| RESERVED | 1Fh | Re- served | Re- served | Re- served | Re- served | Re- served | Re- served | Re- served | Re- served | Re- served | Re- served | Re- served | Re- served | Re- served | Re- served | Re- served | Re- served | Re- served |

7.1 Register Definition

In the register definitions under the 'Default' heading, the following definitions hold true:

- **RW**=Read Write access
- **SC**=Register sets on event occurrence and **Self-Clears** when event ends
- **RW/SC** =Read Write access/**Self Clearing** bit
- **RO**=Read Only access
- **COR** = Clear on Read
- **RO/COR**=Read Only, Clear on Read
- **RO/P**=Read Only, Permanently set to a default value
- **LL**=Latched Low and held until read, based upon the occurrence of the corresponding event
- **LH**=Latched High and held until read, based upon the occurrence of the corresponding event

7.1.1 Basic Mode Control Register (BMCR)

Table 20. Basic Mode Control Register (BMCR), address 00h

| Bit | Bit Name | Default | Description |
|-----|--------------------------|-----------|--|
| 15 | RESET | 0, RW/SC | <p>Reset:</p> <p>1 = Initiate software Reset / Reset in Process. 0 = Normal operation.</p> <p>This bit, which is self-clearing, returns a value of one until the reset process is complete. The configuration is re-strapped.</p> |
| 14 | LOOPBACK | 0, RW | <p>Loopback:</p> <p>1 = Loopback enabled. 0 = Normal operation.</p> <p>The loopback function enables MII transmit data to be routed to the MII receive data path.</p> <p>Setting this bit may cause the descrambler to lose synchronization and produce a 500 μs "dead time" before any valid data will appear at the MII receive outputs.</p> |
| 13 | SPEED SELECTION | Strap, RW | <p>Speed Select:</p> <p>When auto-negotiation is disabled writing to this bit allows the port speed to be selected.</p> <p>1 = 100 Mb/s. 0 = 10 Mb/s.</p> |
| 12 | AUTO-NEGOTIATION ENABLE | Strap, RW | <p>Auto-Negotiation Enable:</p> <p>Strap controls initial value at reset.</p> <p>If FX is enabled (FX_EN = 1), then this bit will be reset to 0.</p> <p>1 = Auto-Negotiation Enabled - bits 8 and 13 of this register are ignored when this bit is set. 0 = Auto-Negotiation Disabled - bits 8 and 13 determine the port speed and duplex mode.</p> |
| 11 | POWER DOWN | 0, RW | <p>Power Down:</p> <p>1 = Power down. 0 = Normal operation.</p> <p>Setting this bit powers down the PHY. Only the register block is enabled during a power down condition. This bit is OR'd with the input from the PWRDOWN_INT pin. When the active low PWRDOWN_INT pin is asserted, this bit will be set.</p> |
| 10 | ISOLATE | 0, RW | <p>Isolate:</p> <p>1 = Isolates the Port from the MII with the exception of the serial management. 0 = Normal operation.</p> |
| 9 | RESTART AUTO-NEGOTIATION | 0, RW/SC | <p>Restart Auto-Negotiation:</p> <p>1 = Restart Auto-Negotiation. Re-initiates the Auto-Negotiation process. If Auto-Negotiation is disabled (bit 12 = 0), this bit is ignored. This bit is self-clearing and will return a value of 1 until Auto-Negotiation is initiated, whereupon it will self-clear. Operation of the Auto-Negotiation process is not affected by the management entity clearing this bit. 0 = Normal operation.</p> |
| 8 | DUPLEX MODE | Strap, RW | <p>Duplex Mode:</p> <p>When auto-negotiation is disabled writing to this bit allows the port Duplex capability to be selected.</p> <p>1 = Full Duplex operation. 0 = Half Duplex operation.</p> |

Table 20. Basic Mode Control Register (BMCR), address 00h (Continued)

| Bit | Bit Name | Default | Description |
|-----|----------------|---------|--|
| 7 | COLLISION TEST | 0, RW | <p>Collision Test: 1 = Collision test enabled. 0 = Normal operation.</p> <p>When set, this bit will cause the COL signal to be asserted in response to the assertion of TX_EN within 512-bit times. The COL signal will be de-asserted within 4-bit times in response to the de-assertion of TX_EN.</p> |
| 6:0 | RESERVED | 0, RO | RESERVED: Write ignored, read as 0. |

7.1.2 Basic Mode Status Register (BMSR)

Table 21. Basic Mode Status Register (BMSR), address 01h

| Bit | Bit Name | Default | Description |
|------|------------------------------|----------|--|
| 15 | 100BASE-T4 | 0, RO/P | 100BASE-T4 Capable: 0 = Device not able to perform 100BASE-T4 mode. |
| 14 | 100BASE-TX FULL DUPLEX | 1, RO/P | 100BASE-TX Full Duplex Capable: 1 = Device able to perform 100BASE-TX in full duplex mode. |
| 13 | 100BASE-TX HALF DUPLEX | 1, RO/P | 100BASE-TX Half Duplex Capable: 1 = Device able to perform 100BASE-TX in half duplex mode. |
| 12 | 10BASE-T FULL DUPLEX | 1, RO/P | 10BASE-T Full Duplex Capable: 1 = Device able to perform 10BASE-T in full duplex mode. |
| 11 | 10BASE-T HALF DUPLEX | 1, RO/P | 10BASE-T Half Duplex Capable: 1 = Device able to perform 10BASE-T in half duplex mode. |
| 10:7 | RESERVED | 0, RO | RESERVED: Write as 0, read as 0. |
| 6 | MF PREAMBLE SUPPRESSION | 1, RO/P | Preamble suppression Capable: 1 = Device able to perform management transaction with preamble suppressed, 32-bits of preamble needed only once after reset, invalid opcode or invalid turnaround. 0 = Normal management operation. |
| 5 | AUTO-NEGOTIATION COMPLETE | 0, RO | Auto-Negotiation Complete: 1 = Auto-Negotiation process complete. 0 = Auto-Negotiation process not complete. |
| 4 | REMOTE FAULT | 0, RO/LH | Remote Fault: 1 = Remote Fault condition detected (cleared on read or by reset). Fault criteria: Far End Fault Indication or notification from Link Partner of Remote Fault. 0 = No remote fault condition detected. |
| 3 | AUTO-NEGOTIATION ABILITY | 1, RO/P | Auto Negotiation Ability: 1 = Device is able to perform Auto-Negotiation. 0 = Device is not able to perform Auto-Negotiation. |
| 2 | LINK STATUS | 0, RO/LL | Link Status: 1 = Valid link established (for either 10 or 100 Mb/s operation). 0 = Link not established. The criteria for link validity is implementation specific. The occurrence of a link failure condition will causes the Link Status bit to clear. Once cleared, this bit may only be set by establishing a good link condition and a read via the management interface. |
| 1 | JABBER DETECT | 0, RO/LH | Jabber Detect: This bit only has meaning in 10 Mb/s mode. 1 = Jabber condition detected. 0 = No Jabber. This bit is implemented with a latching function, such that the occurrence of a jabber condition causes it to set until it is cleared by a read to this register by the management interface or by a reset. |
| 0 | EXTENDED CAPA- BILITY | 1, RO/P | Extended Capability: 1 = Extended register capabilities. 0 = Basic register set capabilities only. |

The PHY Identifier Registers #1 and #2 together form a unique identifier for the DP83849IDVS. The Identifier consists of a concatenation of the Organizationally Unique Identifier (OUI), the vendor's model number and the model revision number. A PHY may return a value of zero in each of the 32 bits of the PHY Identifier if desired. The PHY Identifier is intended to support network management. National's IEEE assigned OUI is 080017h.

7.1.3 PHY Identifier Register #1 (PHYIDR1)

Table 22. PHY Identifier Register #1 (PHYIDR1), address 02h

| Bit | Bit Name | Default | Description |
|------|----------|-----------------------------|--|
| 15:0 | OUI_MSB | <0010 0000 0000 0000>, RO/P | OUI Most Significant Bits: Bits 3 to 18 of the OUI (080017h) are stored in bits 15 to 0 of this register. The most significant two bits of the OUI are ignored (the IEEE standard refers to these as bits 1 and 2). |

7.1.4 PHY Identifier Register #2 (PHYIDR2)

Table 23. PHY Identifier Register #2 (PHYIDR2), address 03h

| Bit | Bit Name | Default | Description |
|-------|----------|-----------------|--|
| 15:10 | OUI_LSB | <0101 11>, RO/P | OUI Least Significant Bits: Bits 19 to 24 of the OUI (080017h) are mapped from bits 15 to 10 of this register respectively. |
| 9:4 | VNDR_MDL | <00 1010>, RO/P | Vendor Model Number: The six bits of vendor model number are mapped from bits 9 to 4 (most significant bit to bit 9). |
| 3:0 | MDL_REV | <0010>, RO/P | Model Revision Number: Four bits of the vendor model revision number are mapped from bits 3 to 0 (most significant bit to bit 3). This field will be incremented for all major device changes. |

7.1.5 Auto-Negotiation Advertisement Register (ANAR)

This register contains the advertised abilities of this device as they will be transmitted to its link partner during Auto-Negotiation. Any writes to this register prior to completion of Auto-Negotiation (as indicated in the Basic Mode Status Register (address 01h) Auto-Negotiation Complete bit, BMSR[5]) should be followed by a renegotiation. This will ensure that the new values are properly used in the Auto-Negotiation.

Table 24. Negotiation Advertisement Register (ANAR), address 04h

| Bit | Bit Name | Default | Description |
|-----|----------|---------|---|
| 15 | NP | 0, RW | Next Page Indication: 0 = Next Page Transfer not desired. 1 = Next Page Transfer desired. |
| 14 | RESERVED | 0, RO/P | RESERVED by IEEE: Writes ignored, Read as 0. |
| 13 | RF | 0, RW | Remote Fault: 1 = Advertises that this device has detected a Remote Fault. 0 = No Remote Fault detected. |
| 12 | RESERVED | 0, RW | RESERVED for Future IEEE use: Write as 0, Read as 0 |

Table 24. Negotiation Advertisement Register (ANAR), address 04h (Continued)

| Bit | Bit Name | Default | Description |
|-----|----------|-------------|---|
| 11 | ASM_DIR | 0, RW | <p>Asymmetric PAUSE Support for Full Duplex Links:</p> <p>The ASM_DIR bit indicates that asymmetric PAUSE is supported. Encoding and resolution of PAUSE bits is defined in IEEE 802.3 Annex 28B, Tables 28B-2 and 28B-3, respectively. Pause resolution status is reported in PHYCR[13:12].</p> <p>1 = Advertise that the DTE (MAC) has implemented both the optional MAC control sublayer and the pause function as specified in clause 31 and annex 31B of 802.3u.</p> <p>0= No MAC based full duplex flow control.</p> |
| 10 | PAUSE | 0, RW | <p>PAUSE Support for Full Duplex Links:</p> <p>The PAUSE bit indicates that the device is capable of providing the symmetric PAUSE functions as defined in Annex 31B. Encoding and resolution of PAUSE bits is defined in IEEE 802.3 Annex 28B, Tables 28B-2 and 28B-3, respectively. Pause resolution status is reported in PHYCR[13:12].</p> <p>1 = Advertise that the DTE (MAC) has implemented both the optional MAC control sublayer and the pause function as specified in clause 31 and annex 31B of 802.3u.</p> <p>0= No MAC based full duplex flow control.</p> |
| 9 | T4 | 0, RO/P | <p>100BASE-T4 Support:</p> <p>1= 100BASE-T4 is supported by the local device.</p> <p>0 = 100BASE-T4 not supported.</p> |
| 8 | TX_FD | Strap, RW | <p>100BASE-TX Full Duplex Support:</p> <p>1 = 100BASE-TX Full Duplex is supported by the local device.</p> <p>0 = 100BASE-TX Full Duplex not supported.</p> |
| 7 | TX | Strap, RW | <p>100BASE-TX Support:</p> <p>1 = 100BASE-TX is supported by the local device.</p> <p>0 = 100BASE-TX not supported.</p> |
| 6 | 10_FD | Strap, RW | <p>10BASE-T Full Duplex Support:</p> <p>1 = 10BASE-T Full Duplex is supported by the local device.</p> <p>0 = 10BASE-T Full Duplex not supported.</p> |
| 5 | 10 | Strap, RW | <p>10BASE-T Support:</p> <p>1 = 10BASE-T is supported by the local device.</p> <p>0 = 10BASE-T not supported.</p> |
| 4:0 | SELECTOR | <00001>, RW | <p>Protocol Selection Bits:</p> <p>These bits contain the binary encoded protocol selector supported by this port. <00001> indicates that this device supports IEEE 802.3u.</p> |

7.1.6 Auto-Negotiation Link Partner Ability Register (ANLPAR) (BASE Page)

This register contains the advertised abilities of the Link Partner as received during Auto-Negotiation. The content changes after the successful auto-negotiation if Next-pages are supported.

Table 25. Auto-Negotiation Link Partner Ability Register (ANLPAR) (BASE Page), address 05h

| Bit | Bit Name | Default | Description |
|-----|----------|--------------|---|
| 15 | NP | 0, RO | Next Page Indication: 0 = Link Partner does not desire Next Page Transfer. 1 = Link Partner desires Next Page Transfer. |
| 14 | ACK | 0, RO | Acknowledge: 1 = Link Partner acknowledges reception of the ability data word. 0 = Not acknowledged. The Auto-Negotiation state machine will automatically control the this bit based on the incoming FLP bursts. |
| 13 | RF | 0, RO | Remote Fault: 1 = Remote Fault indicated by Link Partner. 0 = No Remote Fault indicated by Link Partner. |
| 12 | RESERVED | 0, RO | RESERVED for Future IEEE use: Write as 0, read as 0. |
| 11 | ASM_DIR | 0, RO | ASYMMETRIC PAUSE: 1 = Asymmetric pause is supported by the Link Partner. 0 = Asymmetric pause is not supported by the Link Partner. |
| 10 | PAUSE | 0, RO | PAUSE: 1 = Pause function is supported by the Link Partner. 0 = Pause function is not supported by the Link Partner. |
| 9 | T4 | 0, RO | 100BASE-T4 Support: 1 = 100BASE-T4 is supported by the Link Partner. 0 = 100BASE-T4 not supported by the Link Partner. |
| 8 | TX_FD | 0, RO | 100BASE-TX Full Duplex Support: 1 = 100BASE-TX Full Duplex is supported by the Link Partner. 0 = 100BASE-TX Full Duplex not supported by the Link Partner. |
| 7 | TX | 0, RO | 100BASE-TX Support: 1 = 100BASE-TX is supported by the Link Partner. 0 = 100BASE-TX not supported by the Link Partner. |
| 6 | 10_FD | 0, RO | 10BASE-T Full Duplex Support: 1 = 10BASE-T Full Duplex is supported by the Link Partner. 0 = 10BASE-T Full Duplex not supported by the Link Partner. |
| 5 | 10 | 0, RO | 10BASE-T Support: 1 = 10BASE-T is supported by the Link Partner. 0 = 10BASE-T not supported by the Link Partner. |
| 4:0 | SELECTOR | <0 0000>, RO | Protocol Selection Bits: Link Partner's binary encoded protocol selector. |

7.1.7 Auto-Negotiation Link Partner Ability Register (ANLPAR) (Next Page)

Table 26. Auto-Negotiation Link Partner Ability Register (ANLPAR) (Next Page), address 05h

| Bit | Bit Name | Default | Description |
|------|----------|---------------------|--|
| 15 | NP | 0, RO | Next Page Indication: 1 = Link Partner desires Next Page Transfer. 0 = Link Partner does not desire Next Page Transfer. |
| 14 | ACK | 0, RO | Acknowledge: 1 = Link Partner acknowledges reception of the ability data word. 0 = Not acknowledged. The Auto-Negotiation state machine will automatically control the this bit based on the incoming FLP bursts. Software should not attempt to write to this bit. |
| 13 | MP | 0, RO | Message Page: 1 = Message Page. 0 = Unformatted Page. |
| 12 | ACK2 | 0, RO | Acknowledge 2: 1 = Link Partner does have the ability to comply to next page message. 0 = Link Partner does not have the ability to comply to next page message. |
| 11 | TOGGLE | 0, RO | Toggle: 1 = Previous value of the transmitted Link Code word equalled 0. 0 = Previous value of the transmitted Link Code word equalled 1. |
| 10:0 | CODE | <000 0000 0000>, RO | Code: This field represents the code field of the next page transmission. If the MP bit is set (bit 13 of this register), then the code shall be interpreted as a "Message Page," as defined in annex 28C of Clause 28. Otherwise, the code shall be interpreted as an "Unformatted Page," and the interpretation is application specific. |

7.1.8 Auto-Negotiate Expansion Register (ANER)

This register contains additional Local Device and Link Partner status information.

Table 27. Auto-Negotiate Expansion Register (ANER), address 06h

| Bit | Bit Name | Default | Description |
|------|------------|-----------|--|
| 15:5 | RESERVED | 0, RO | RESERVED: Writes ignored, Read as 0. |
| 4 | PDF | 0, RO | Parallel Detection Fault: 1 = A fault has been detected via the Parallel Detection function. 0 = A fault has not been detected. |
| 3 | LP_NP_ABLE | 0, RO | Link Partner Next Page Able: 1 = Link Partner does support Next Page. 0 = Link Partner does not support Next Page. |
| 2 | NP_ABLE | 1, RO/P | Next Page Able: 1 = Indicates local device is able to send additional "Next Pages". |
| 1 | PAGE_RX | 0, RO/COR | Link Code Word Page Received: 1 = Link Code Word has been received, cleared on a read. 0 = Link Code Word has not been received. |
| 0 | LP_AN_ABLE | 0, RO | Link Partner Auto-Negotiation Able: 1 = indicates that the Link Partner supports Auto-Negotiation. 0 = indicates that the Link Partner does not support Auto-Negotiation. |

7.1.9 Auto-Negotiation Next Page Transmit Register (ANNPTR)

This register contains the next page information sent by this device to its Link Partner during Auto-Negotiation.

Table 28. Auto-Negotiation Next Page Transmit Register (ANNPTR), address 07h

| Bit | Bit Name | Default | Description |
|------|----------|---------------------|--|
| 15 | NP | 0, RW | Next Page Indication: 0 = No other Next Page Transfer desired. 1 = Another Next Page desired. |
| 14 | RESERVED | 0, RO | RESERVED: Writes ignored, read as 0. |
| 13 | MP | 1, RW | Message Page: 1 = Message Page. 0 = Unformatted Page. |
| 12 | ACK2 | 0, RW | Acknowledge2: 1 = Will comply with message. 0 = Cannot comply with message. Acknowledge2 is used by the next page function to indicate that Local Device has the ability to comply with the message received. |
| 11 | TOG_TX | 0, RO | Toggle: 1 = Value of toggle bit in previously transmitted Link Code Word was 0. 0 = Value of toggle bit in previously transmitted Link Code Word was 1. Toggle is used by the Arbitration function within Auto-Negotiation to ensure synchronization with the Link Partner during Next Page exchange. This bit shall always take the opposite value of the Toggle bit in the previously exchanged Link Code Word. |
| 10:0 | CODE | <000 0000 0001>, RW | Code: This field represents the code field of the next page transmission. If the MP bit is set (bit 13 of this register), then the code shall be interpreted as a "Message Page", as defined in annex 28C of IEEE 802.3u. Otherwise, the code shall be interpreted as an "Unformatted Page", and the interpretation is application specific. The default value of the CODE represents a Null Page as defined in Annex 28C of IEEE 802.3u. |

7.1.10 PHY Status Register (PHYSTS)

This register provides a single location within the register set for quick access to commonly accessed information.

Table 29. PHY Status Register (PHYSTS), address 10h

| Bit | Bit Name | Default | Description |
|-----|---------------------------|----------|---|
| 15 | RESERVED | 0, RO | RESERVED: Write ignored, read as 0. |
| 14 | MDIX MODE | 0, RO | MDIX mode as reported by the Auto-Negotiation logic: This bit will be affected by the settings of the MDIX_EN and FORCE_MDIX bits in the PHYCR register. When MDIX is enabled, but not forced, this bit will update dynamically as the Auto-MDIX algorithm swaps between MDI and MDIX configurations. 1 = MDI pairs swapped (Receive on TPTD pair, Transmit on TPRD pair) 0 = MDI pairs normal (Receive on TRD pair, Transmit on TPTD pair) |
| 13 | RECEIVE ERROR LATCH | 0, RO/LH | Receive Error Latch: This bit will be cleared upon a read of the RECR register. 1 = Receive error event has occurred since last read of RXERCNT (address 15h, Page 0). 0 = No receive error event has occurred. |
| 12 | POLARITY STATUS | 0, RO | Polarity Status: This bit is a duplication of bit 4 in the 10BTSCR register. This bit will be cleared upon a read of the 10BTSCR register, but not upon a read of the PHYSTS register. 1 = Inverted Polarity detected. 0 = Correct Polarity detected. |
| 11 | FALSE CARRIER SENSE LATCH | 0, RO/LH | False Carrier Sense Latch: This bit will be cleared upon a read of the FCSR register. 1 = False Carrier event has occurred since last read of FCSCR (address 14h). 0 = No False Carrier event has occurred. |
| 10 | SIGNAL DETECT | 0, RO/LL | 100Base-TX qualified Signal Detect from PMA: This is the SD that goes into the link monitor. It is the AND of raw SD and descrambler lock, when address 16h, bit 8 (page 0) is set. When this bit is cleared, it will be equivalent to the raw SD from the PMD. |
| 9 | DESCRAMBLER LOCK | 0, RO/LL | 100Base-TX Descrambler Lock from PMD. |
| 8 | PAGE RECEIVED | 0, RO | Link Code Word Page Received: This is a duplicate of the Page Received bit in the ANER register, but this bit will not be cleared upon a read of the PHYSTS register. 1 = A new Link Code Word Page has been received. Cleared on read of the ANER (address 06h, bit 1). 0 = Link Code Word Page has not been received. |
| 7 | MII INTERRUPT | 0, RO | MII Interrupt Pending: 1 = Indicates that an internal interrupt is pending. Interrupt source can be determined by reading the MISR Register (12h). Reading the MISR will clear the Interrupt. 0 = No interrupt pending. |

Table 29. PHY Status Register (PHYSTS), address 10h

| Bit | Bit Name | Default | Description |
|-----|-------------------|---------|---|
| 6 | REMOTE FAULT | 0, RO | Remote Fault: 1 = Remote Fault condition detected (cleared on read of BMSR (address 01h) register or by reset). Fault criteria: notification from Link Partner of Remote Fault via Auto-Negotiation. 0 = No remote fault condition detected. |
| 5 | JABBER DETECT | 0, RO | Jabber Detect: This bit only has meaning in 10 Mb/s mode This bit is a duplicate of the Jabber Detect bit in the BMSR register, except that it is not cleared upon a read of the PHYSTS register. 1 = Jabber condition detected. 0 = No Jabber. |
| 4 | AUTO-NEG COMPLETE | 0, RO | Auto-Negotiation Complete: 1 = Auto-Negotiation complete. 0 = Auto-Negotiation not complete. |
| 3 | LOOPBACK STATUS | 0, RO | Loopback: 1 = Loopback enabled. 0 = Normal operation. |
| 2 | DUPLEX STATUS | 0, RO | Duplex: This bit indicates duplex status and is determined from Auto-Negotiation or Forced Modes. 1 = Full duplex mode. 0 = Half duplex mode. Note: This bit is only valid if Auto-Negotiation is enabled and complete and there is a valid link or if Auto-Negotiation is disabled and there is a valid link. |
| 1 | SPEED STATUS | 0, RO | Speed10: This bit indicates the status of the speed and is determined from Auto-Negotiation or Forced Modes. 1 = 10 Mb/s mode. 0 = 100 Mb/s mode. Note: This bit is only valid if Auto-Negotiation is enabled and complete and there is a valid link or if Auto-Negotiation is disabled and there is a valid link. |
| 0 | LINK STATUS | 0, RO | Link Status: This bit is a duplicate of the Link Status bit in the BMSR register, except that it will not be cleared upon a read of the PHYSTS register. 1 = Valid link established (for either 10 or 100 Mb/s operation) 0 = Link not established. |

7.1.11 MII Interrupt Control Register (MICR)

This register implements the MII Interrupt PHY Specific Control register. Sources for interrupt generation include: Energy Detect State Change, Link State Change, Speed Status Change, Duplex Status Change, Auto-Negotiation Complete or any of the counters becoming half-full. The individual interrupt events must be enabled by setting bits in the MII Interrupt Status and Event Control Register (MISR).

Table 30. MII Interrupt Control Register (MICR), address 11h

| Bit | Bit Name | Default | Description |
|------|----------|---------|--|
| 15:3 | RESERVED | 0, RO | RESERVED: Writes ignored, read as 0. |
| 2 | TINT | 0, RW | Test Interrupt: Forces the PHY to generate an interrupt to facilitate interrupt testing. Interrupts will continue to be generated as long as this bit remains set. 1 = Generate an interrupt 0 = Do not generate interrupt |
| 1 | INTEN | 0, RW | Interrupt Enable: Enable interrupt dependent on the event enables in the MISR register. 1 = Enable event based interrupts 0 = Disable event based interrupts |
| 0 | INT_OE | 0, RW | Interrupt Output Enable: Enable interrupt events to signal via the PWRDOWN_INT pin by configuring the PWRDOWN_INT pin as an output. 1 = PWRDOWN_INT is an Interrupt Output 0 = PWRDOWN_INT is a Power Down Input |

7.1.12 MII Interrupt Status and Misc. Control Register (MISR)

This register contains event status and enables for the interrupt function. If an event has occurred since the last read of this register, the corresponding status bit will be set. If the corresponding enable bit in the register is set, an interrupt will be generated if the event occurs. The MICR register controls must also be set to allow interrupts. The status indications in this register will be set even if the interrupt is not enabled.

Table 31. MII Interrupt Status and Misc. Control Register (MISR), address 12h

| | | | |
|----|----------|-----------|--|
| 15 | LQ_INT | 0, RO/COR | Link Quality interrupt: 1 = Link Quality interrupt is pending and is cleared by the current read. 0 = No Link Quality interrupt pending. |
| 14 | ED_INT | 0, RO/COR | Energy Detect interrupt: 1 = Energy detect interrupt is pending and is cleared by the current read. 0 = No energy detect interrupt pending. |
| 13 | LINK_INT | 0, RO/COR | Change of Link Status interrupt: 1 = Change of link status interrupt is pending and is cleared by the current read. 0 = No change of link status interrupt pending. |
| 12 | SPD_INT | 0, RO/COR | Change of speed status interrupt: 1 = Speed status change interrupt is pending and is cleared by the current read. 0 = No speed status change interrupt pending. |

Table 31. MII Interrupt Status and Misc. Control Register (MISR), address 12h

| | | | |
|----|-------------|-----------|--|
| 11 | DUP_INT | 0, RO/COR | Change of duplex status interrupt: 1 = Duplex status change interrupt is pending and is cleared by the current read. 0 = No duplex status change interrupt pending. |
| 10 | ANC_INT | 0, RO/COR | Auto-Negotiation Complete interrupt: 1 = Auto-negotiation complete interrupt is pending and is cleared by the current read. 0 = No Auto-negotiation complete interrupt pending. |
| 9 | FHF_INT | 0, RO/COR | False Carrier Counter half-full interrupt: 1 = False carrier counter half-full interrupt is pending and is cleared by the current read. 0 = No false carrier counter half-full interrupt pending. |
| 8 | RHF_INT | 0, RO/COR | Receive Error Counter half-full interrupt: 1 = Receive error counter half-full interrupt is pending and is cleared by the current read. 0 = No receive error carrier counter half-full interrupt pending. |
| 7 | LQ_INT_EN | 0, RW | Enable Interrupt on Link Quality Monitor event |
| 6 | ED_INT_EN | 0, RW | Enable Interrupt on energy detect event |
| 5 | LINK_INT_EN | 0, RW | Enable Interrupt on change of link status |
| 4 | SPD_INT_EN | 0, RW | Enable Interrupt on change of speed status |
| 3 | DUP_INT_EN | 0, RW | Enable Interrupt on change of duplex status |
| 2 | ANC_INT_EN | 0, RW | Enable Interrupt on Auto-negotiation complete event |
| 1 | FHF_INT_EN | 0, RW | Enable Interrupt on False Carrier Counter Register half-full event |
| 0 | RHF_INT_EN | 0, RW | Enable Interrupt on Receive Error Counter Register half-full event |

7.1.13 Page Select Register (PAGESEL)

This register is used to enable access to the Link Diagnostics Registers.

Table 32. Page Select Register (PAGESEL), address 13h

| Bit | Bit Name | Default | Description |
|------|----------|---------|---|
| 15:2 | RESERVED | 0, RO | RESERVED: Writes ignored, Read as 0 |
| 1:0 | PAGE_SEL | 0, RW | Page_Sel Bit: Selects between paged registers for address 14h to 1Fh. 0 = Extended Registers Page 0 1 = RESERVED 2 = Link Diagnostics Registers Page 2 |

7.2 Extended Registers - Page 0

7.2.1 False Carrier Sense Counter Register (FCSCR)

This counter provides information required to implement the “False Carriers” attribute within the MAU managed object class of Clause 30 of the IEEE 802.3u specification.

Table 33. False Carrier Sense Counter Register (FCSCR), address 14h

| Bit | Bit Name | Default | Description |
|------|-------------|-----------|---|
| 15:8 | RESERVED | 0, RO | RESERVED: Writes ignored, Read as 0 |
| 7:0 | FCSCNT[7:0] | 0, RO/COR | False Carrier Event Counter: This 8-bit counter increments on every false carrier event. This counter sticks when it reaches its max count (FFh). |

7.2.2 Receiver Error Counter Register (RECR)

This counter provides information required to implement the “Symbol Error During Carrier” attribute within the PHY managed object class of Clause 30 of the IEEE 802.3u specification.

Table 34. Receiver Error Counter Register (RECR), address 15h

| Bit | Bit Name | Default | Description |
|------|--------------|-----------|--|
| 15:8 | RESERVED | 0, RO | RESERVED: Writes ignored, Read as 0 |
| 7:0 | RXERCNT[7:0] | 0, RO/COR | RX_ER Counter: When a valid carrier is present and there is at least one occurrence of an invalid data symbol, this 8-bit counter increments for each receive error detected. This event can increment only once per valid carrier event. If a collision is present, the attribute will not increment. The counter sticks when it reaches its max count. |

7.2.3 100 Mb/s PCS Configuration and Status Register (PCSR)

This register contains control and status information for the 100BASE Physical Coding Sublayer.

Table 35. 100 Mb/s PCS Configuration and Status Register (PCSR), address 16h

| Bit | Bit Name | Default | Description |
|-------|--------------|----------|---|
| 15:12 | RESERVED | <00>, RO | RESERVED: Writes ignored, Read as 0. |
| 11 | FREE_CLK | 0, RW | Receive Clock: 1 = RX_CLK is free-running 0 = RX_CLK phase adjusted based on alignment |
| 10 | TQ_EN | 0, RW | 100Mbs True Quiet Mode Enable: 1 = Transmit True Quiet Mode. 0 = Normal Transmit Mode. |
| 9 | SD FORCE PMA | 0, RW | Signal Detect Force PMA: 1 = Forces Signal Detection in PMA. 0 = Normal SD operation. |

Table 35. 100 Mb/s PCS Configuration and Status Register (PCSR), address 16h (Continued)

| Bit | Bit Name | Default | Description |
|-----|-------------------|-----------|--|
| 8 | SD_OPTION | 1, RW | <p>Signal Detect Option:</p> <p>1 = Default operation. Link will be asserted following detection of valid signal level and Descrambler Lock. Link will be maintained as long as signal level is valid. A loss of Descrambler Lock will not cause Link Status to drop.</p> <p>0 = Modified signal detect algorithm. Link will be asserted following detection of valid signal level and Descrambler Lock. Link will be maintained as long as signal level is valid and Descrambler remains locked.</p> |
| 7 | DESC_TIME | 0, RW | <p>Descrambler Timeout:</p> <p>Increase the descrambler timeout. When set this should allow the device to receive larger packets (>9k bytes) without loss of synchronization.</p> <p>1 = 2ms</p> <p>0 = 722us (per ANSI X3.263: 1995 (TP-PMD) 7.2.3.3e)</p> |
| 6 | FX_EN | Strap, RW | <p>FX Fiber Mode Enable:</p> <p>This bit is set when the FX_EN strap option is selected (pulled high) for the respective port.</p> <p>1 = Enables FX operation</p> <p>0 = Disables FX operation</p> |
| 5 | FORCE_100_OK | 0, RW | <p>Force 100Mb/s Good Link:</p> <p>1 = Forces 100Mb/s Good Link.</p> <p>0 = Normal 100Mb/s operation.</p> |
| 4 | RESERVED | 0, RO | RESERVED: Writes ignored, Read as 0 |
| 3 | FEFI_EN | Strap, RW | <p>Far End Fault Indication Mode Enable:</p> <p>This bit is set when the FX_EN strap option is selected for the respective port.</p> <p>1 = FEFI Mode Enabled</p> <p>0 = FEFI Mode Disabled</p> |
| 2 | NRZI_BYPASS | 0, RW | <p>NRZI Bypass Enable:</p> <p>1 = NRZI Bypass Enabled.</p> <p>0 = NRZI Bypass Disabled.</p> |
| 1 | SCRAM BYPASS | Strap, RW | <p>Scrambler Bypass Enable:</p> <p>This bit is set when the FX_EN strap option is selected for the respective port. In the FX mode, the scrambler is bypassed.</p> <p>1 = Scrambler Bypass Enabled</p> <p>0 = Scrambler Bypass Disabled</p> |
| 0 | DESCRAM BYPASS | Strap, RW | <p>Descrambler Bypass Enable:</p> <p>This bit is set when the FX_EN strap option is selected for the respective port. In the FX mode, the descrambler is bypassed.</p> <p>1 = Descrambler Bypass Enabled</p> <p>0 = Descrambler Bypass Disabled</p> |

7.2.4 RMII and Bypass Register (RBR)

This register configures the RMII/MII Interface Mode of operation. This register controls selecting MII or RMII mode for Receive or Transmit. In addition, several additional bits are included to allow datapath selection for Transmit and Receive in multiport applications.

Table 36. RMII and Bypass Register (RBR), addresses 17h

| Bit | Bit Name | Default | Description |
|------|----------------|-----------|--|
| 15 | SIM_WRITE | 0, RW | Simultaneous Write: Setting this bit in port A register space enables simultaneous write to Phy registers in both ports. Subsequent writes to port A registers will write to registers in both ports A and B. 1 = Simultaneous writes to both ports 0 = Per-port write |
| 14 | RESERVED | 0, RO | RESERVED: Writes ignored, Read as 0 |
| 13 | DIS_TX_OPT | 0, RW | Disable RMII TX Latency Optimization: Normally the RMII Transmitter will minimize the transmit latency by realigning the transmit clock with the Reference clock phase at the start of a packet transmission. Setting this bit will disable Phase re-alignment and ensure that IDLE bits will always be sent in multiples of the symbol size. This will result in a larger uncertainty in RMII transmit latency. |
| 12:9 | RESERVED | 0 | RESERVED: Must be zero. |
| 8 | PMD_LOOP | 0, RW | PMD Loopback: 0= Normal Operation 1= Remote (PMD) Loopback Setting this bit will cause the device to Loopback data received from the Physical Layer. The loopback is done prior to the MII or RMII interface. Data received at the internal MII or RMII interface will be applied to the transmitter. This mode should only be used if RMII mode is enabled. |
| 7:6 | RESERVED | 0 | RESERVED: Must be zero. |
| 5 | RMII_MODE | Strap, RW | Reduced MII Mode: 0 = Standard MII Mode 1 = Reduced MII Mode |
| 4 | RMII_REV1_0 | 0, RW | Reduced MII Revision 1.0: 0 = (RMII revision 1.2) CRS_DV will toggle at the end of a packet to indicate deassertion of CRS. 1 = (RMII revision 1.0) CRS_DV will remain asserted until final data is transferred. CRS_DV will not toggle at the end of a packet. |
| 3 | RX_OVF_STS | 0, RO/COR | RX FIFO Over Flow Status: 0 = Normal 1 = Overflow detected |
| 2 | RX_UNF_STS | 0, RO/COR | RX FIFO Under Flow Status: 0 = Normal 1 = Underflow detected |
| 1:0 | ELAST_BUF[1:0] | 01, RW | Receive Elasticity Buffer: This field controls the Receive Elasticity Buffer which allows for frequency variation tolerance between the 50MHz RMII clock and the recovered data. See Section 3.2 for more information on Elasticity Buffer settings in RMII mode. |

7.2.5 LED Direct Control Register (LEDCR)

This register provides the ability to directly control any or all LED outputs. It does not provide read access to LEDs. In addition, it provides control for the Activity source and blinking LED frequency.

Table 37. LED Direct Control Register (LEDCR), address 18h

| Bit | Bit Name | Default | Description |
|------|------------|---------|--|
| 15:9 | RESERVED | 0, RO | RESERVED: Writes ignored, read as 0. |
| 8 | LEDACT_RX | 0, RW | 1 = Activity is only indicated for Receive traffic 0 = Activity is indicated for Transmit or Receive traffic |
| 7:6 | BLINK_FREQ | 00, RW | LED Blink Frequency These bits control the blink frequency of the LED_LINK output when blinking on activity is enabled. 0 = 6Hz 1 = 12Hz 2 = 24Hz 3 = 48Hz |
| 5 | DRV_SPDLED | 0, RW | 1 = Drive value of SPDLED bit onto LED_SPEED output 0 = Normal operation |
| 4 | DRV_LNKLED | 0, RW | 1 = Drive value of LNKLED bit onto LED_LINK output 0 = Normal operation |
| 3 | DRV_ACTLED | 0, RW | 1 = Drive value of ACTLED bit onto LED_ACT/LED_COL output 0 = Normal operation |
| 2 | SPDLED | 0, RW | Value to force on LED_SPEED output |
| 1 | LNKLED | 0, RW | Value to force on LED_LINK output |
| 0 | ACTLED | 0, RW | Value to force on LED_ACT/LED_COL output |

7.2.6 PHY Control Register (PHYCR)

This register provides control for Phy functions such as MDIX, BIST, LED configuration, and Phy address. It also provides Pause Negotiation status.

Table 38. PHY Control Register (PHYCR), address 19h

| Bit | Bit Name | Default | Description |
|-----|-------------|-----------|---|
| 15 | MDIX_EN | Strap, RW | <p>Auto-MDIX Enable: 1 = Enable Auto-neg Auto-MDIX capability. 0 = Disable Auto-neg Auto-MDIX capability.</p> <p>The Auto-MDIX algorithm requires that the Auto-Negotiation Enable bit in the BMCR register to be set. If Auto-Negotiation is not enabled, Auto-MDIX should be disabled as well.</p> |
| 14 | FORCE_MDIX | 0, RW | <p>Force MDIX: 1 = Force MDI pairs to cross. (Receive on TPTD pair, Transmit on TPRD pair) 0 = Normal operation.</p> |
| 13 | PAUSE_RX | 0, RO | <p>Pause Receive Negotiated: Indicates that pause receive should be enabled in the MAC. Based on ANAR[11:10] and ANLPAR[11:10] settings. This function shall be enabled according to IEEE 802.3 Annex 28B Table 28B-3, "Pause Resolution", only if the Auto-Negotiated Highest Common Denominator is a full duplex technology.</p> |
| 12 | PAUSE_TX | 0, RO | <p>Pause Transmit Negotiated: Indicates that pause transmit should be enabled in the MAC. Based on ANAR[11:10] and ANLPAR[11:10] settings. This function shall be enabled according to IEEE 802.3 Annex 28B Table 28B-3, "Pause Resolution", only if the Auto-Negotiated Highest Common Denominator is a full duplex technology.</p> |
| 11 | BIST_FE | 0, RW/SC | <p>BIST Force Error: 1 = Force BIST Error. 0 = Normal operation. This bit forces a single error, and is self clearing.</p> |
| 10 | PSR_15 | 0, RW | <p>BIST Sequence select: 1 = PSR15 selected. 0 = PSR9 selected.</p> |
| 9 | BIST_STATUS | 0, LL/RO | <p>BIST Test Status: 1 = BIST pass. 0 = BIST fail. Latched, cleared when BIST is stopped. For a count number of BIST errors, see the BIST Error Count in the CDCTRL1 register.</p> |
| 8 | BIST_START | 0, RW | <p>BIST Start: 1 = BIST start. 0 = BIST stop.</p> |
| 7 | BP_STRETCH | 0, RW | <p>Bypass LED Stretching: This will bypass the LED stretching and the LEDs will reflect the internal value. 1 = Bypass LED stretching. 0 = Normal operation.</p> |

Table 38. PHY Control Register (PHYCR), address 19h (Continued)

| Bit | Bit Name | Default | Description | | | | | | | | | | | | |
|-------------|----------------------------|--------------------|--|-------------|-------------|------------------|------------|---|--------|---|---|--------|---|---|--------|
| 6 5 | LED_CNFG[1] LED_CNFG[0] | 0, RW Strap, RW | <p>LED Configuration</p> <table border="1"> <thead> <tr> <th>LED_CNFG[1]</th> <th>LED_CNFG[0]</th> <th>Mode Description</th> </tr> </thead> <tbody> <tr> <td>Don't care</td> <td>1</td> <td>Mode 1</td> </tr> <tr> <td>0</td> <td>0</td> <td>Mode 2</td> </tr> <tr> <td>1</td> <td>0</td> <td>Mode 3</td> </tr> </tbody> </table> <p>In Mode 1, LEDs are configured as follows: LED_LINK = ON for Good Link, OFF for No Link LED_SPEED = ON in 100 Mb/s, OFF in 10 Mb/s LED_ACT/LED_COL = ON for Activity, OFF for No Activity</p> <p>In Mode 2, LEDs are configured as follows: LED_LINK = ON for good Link, BLINK for Activity LED_SPEED = ON in 100 Mb/s, OFF in 10 Mb/s LED_ACT/LED_COL = ON for Collision, OFF for No Collision Full Duplex, OFF for Half Duplex</p> <p>In Mode 3, LEDs are configured as follows: LED_LINK = ON for Good Link, BLINK for Activity LED_SPEED = ON in 100 Mb/s, OFF in 10 Mb/s LED_ACT/LED_COL = ON for Full Duplex, OFF for Half Duplex</p> | LED_CNFG[1] | LED_CNFG[0] | Mode Description | Don't care | 1 | Mode 1 | 0 | 0 | Mode 2 | 1 | 0 | Mode 3 |
| LED_CNFG[1] | LED_CNFG[0] | Mode Description | | | | | | | | | | | | | |
| Don't care | 1 | Mode 1 | | | | | | | | | | | | | |
| 0 | 0 | Mode 2 | | | | | | | | | | | | | |
| 1 | 0 | Mode 3 | | | | | | | | | | | | | |
| 4:0 | PHYADDR[4:0] | Strap, RW | PHY Address: PHY address for port. | | | | | | | | | | | | |

7.2.7 10 Base-T Status/Control Register (10BTSCR)

This register is used for control and status for 10BASE-T device operation.

Table 39. 10Base-T Status/Control Register (10BTSCR), address 1Ah

| Bit | Bit Name | Default | Description |
|-------|-------------|-----------|---|
| 15 | 10BT_SERIAL | Strap, RW | <p>10Base-T Serial Mode (SNI) 1 = Enables 10Base-T Serial Mode 0 = Normal Operation</p> <p>Places 10 Mb/s transmit and receive functions in Serial Network Interface (SNI) Mode of operation. Has no effect on 100 Mb/s operation.</p> |
| 14:12 | RESERVED | 0, RW | RESERVED: Must be zero. |
| 11:9 | SQUELCH | 100, RW | <p>Squelch Configuration: Used to set the Squelch 'ON' threshold for the receiver. Default Squelch ON is 330mV peak.</p> |

Table 39. 10Base-T Status/Control Register (10BTSCR), address 1Ah (Continued)

| Bit | Bit Name | Default | Description |
|-----|-----------------|---------|--|
| 8 | LOOPBACK_10_DIS | 0, RW | <p>10Base-T Loopback Disable:</p> <p>In half-duplex mode, default 10BASE-T operation loops Transmit data to the Receive data in addition to transmitting the data on the physical medium. This is for consistency with earlier 10BASE2 and 10BASE5 implementations which used a shared medium. Setting this bit disables the loopback function.</p> <p>This bit does not affect loopback due to setting BMCR[14].</p> |
| 7 | LP_DIS | 0, RW | <p>Normal Link Pulse Disable:</p> <p>1 = Transmission of NLPs is disabled. 0 = Transmission of NLPs is enabled.</p> |
| 6 | FORCE_LINK_10 | 0, RW | <p>Force 10Mb Good Link:</p> <p>1 = Forced Good 10Mb Link. 0 = Normal Link Status.</p> |
| 5 | RESERVED | 0, RW | <p>RESERVED:</p> <p>Must be zero.</p> |
| 4 | POLARITY | RO/LH | <p>10Mb Polarity Status:</p> <p>This bit is a duplication of bit 12 in the PHYSTS register. Both bits will be cleared upon a read of 10BTSCR register, but not upon a read of the PHYSTS register.</p> <p>1 = Inverted Polarity detected. 0 = Correct Polarity detected.</p> |
| 3 | RESERVED | 0, RW | <p>RESERVED:</p> <p>Must be zero.</p> |
| 2 | RESERVED | 1, RW | <p>RESERVED:</p> <p>Must be set to one.</p> |
| 1 | HEARTBEAT_DIS | 0, RW | <p>Heartbeat Disable: This bit only has influence in half-duplex 10Mb mode.</p> <p>1 = Heartbeat function disabled. 0 = Heartbeat function enabled.</p> <p>When the device is operating at 100Mb or configured for full duplex operation, this bit will be ignored - the heartbeat function is disabled.</p> |
| 0 | JABBER_DIS | 0, RW | <p>Jabber Disable:</p> <p>Applicable only in 10BASE-T.</p> <p>1 = Jabber function disabled. 0 = Jabber function enabled.</p> |

7.2.8 CD Test and BIST Extensions Register (CDCTRL1)

This register controls test modes for the 10BASE-T Common Driver. In addition it contains extended control and status for the packet BIST function.

Table 40. CD Test and BIST Extensions Register (CDCTRL1), address 1Bh

| Bit | Bit Name | Default | Description |
|------|------------------|---------|--|
| 15:8 | BIST_ERROR_COUNT | 0, RO | BIST ERROR Counter: Counts number of errored data nibbles during Packet BIST. This value will reset when Packet BIST is restarted. The counter sticks when it reaches its max count. |
| 7:6 | RESERVED | 0, RW | RESERVED: Must be zero. |
| 5 | BIST_CONT_MODE | 0, RW | Packet BIST Continuous Mode: Allows continuous pseudo random data transmission without any break in transmission. This can be used for transmit VOD testing. This is used in conjunction with the BIST controls in the PHYCR Register (19h). For 10Mb operation, jabber function must be disabled, bit 0 of the 10BTSCR (1Ah), JABBER_DIS = 1. |
| 4 | CDPATTEN_10 | 0, RW | CD Pattern Enable for 10Mb: 1 = Enabled. 0 = Disabled. |
| 3 | RESERVED | 0, RW | RESERVED: Must be zero. |
| 2 | 10MEG_PATT_GAP | 0, RW | Defines gap between data or NLP test sequences: 1 = 15 μ s. 0 = 10 μ s. |
| 1:0 | CDPATTSEL[1:0] | 00, RW | CD Pattern Select[1:0]: If CDPATTEN_10 = 1: 00 = Data, EOP0 sequence 01 = Data, EOP1 sequence 10 = NLPs 11 = Constant Manchester 1s (10MHz sine wave) for harmonic distortion testing. |

7.2.9 Phy Control Register 2 (PHYCR2)

This register provides additional general control.

Table 41. Phy Control Register 2 (PHYCR2), address 1Ch

| Bit | Bit Name | Default | Description |
|-------|------------|----------|--|
| 15:10 | RESERVED | 0, RO | RESERVED: Writes ignored, read as 0. |
| 9 | SOFT_RESET | 0, RW/SC | Soft Reset: Resets the entire device minus the registers - all configuration is preserved. 1= Reset, self-clearing. |
| 8:0 | RESERVED | 0, RO | RESERVED: Writes ignored, read as 0. |

7.2.10 Energy Detect Control (EDCR)

This register provides control and status for the Energy Detect function.

Table 42. Energy Detect Control (EDCR), address 1Dh

| Bit | Bit Name | Default | Description |
|-----|---------------|-----------|--|
| 15 | ED_EN | Strap, RW | Energy Detect Enable: Allow Energy Detect Mode. When Energy Detect is enabled and Auto-Negotiation is disabled via the BMCR register, Auto-MDIX should be disabled via the PHY-CR register. |
| 14 | ED_AUTO_UP | 1, RW | Energy Detect Automatic Power Up: Automatically begin power up sequence when Energy Detect Data Threshold value (EDCR[3:0]) is reached. Alternatively, device could be powered up manually using the ED_MAN bit (EDCR[12]). |
| 13 | ED_AUTO_DOWN | 1, RW | Energy Detect Automatic Power Down: Automatically begin power down sequence when no energy is detected. Alternatively, device could be powered down using the ED_MAN bit (EDCR[12]). |
| 12 | ED_MAN | 0, RW/SC | Energy Detect Manual Power Up/Down: Begin power up/down sequence when this bit is asserted. When set, the Energy Detect algorithm will initiate a change of Energy Detect state regardless of threshold (error or data) and timer values. In managed applications, this bit can be set after clearing the Energy Detect interrupt to control the timing of changing the power state. |
| 11 | ED_BURST_DIS | 0, RW | Energy Detect Burst Disable: Disable bursting of energy detect data pulses. By default, Energy Detect (ED) transmits a burst of 4 ED data pulses each time the CD is powered up. When bursting is disabled, only a single ED data pulse will be send each time the CD is powered up. |
| 10 | ED_PWR_STATE | 0, RO | Energy Detect Power State: Indicates current Energy Detect Power state. When set, Energy Detect is in the powered up state. When cleared, Energy Detect is in the powered down state. This bit is invalid when Energy Detect is not enabled. |
| 9 | ED_ERR_MET | 0, RO/COR | Energy Detect Error Threshold Met: No action is automatically taken upon receipt of error events. This bit is informational only and would be cleared on a read. |
| 8 | ED_DATA_MET | 0, RO/COR | Energy Detect Data Threshold Met: The number of data events that occurred met or surpassed the Energy Detect Data Threshold. This bit is cleared on a read. |
| 7:4 | ED_ERR_COUNT | 0001, RW | Energy Detect Error Threshold: Threshold to determine the number of energy detect error events that should cause the device to take action. Intended to allow averaging of noise that may be on the line. Counter will reset after approximately 2 seconds without any energy detect data events. |
| 3:0 | ED_DATA_COUNT | 0001, RW | Energy Detect Data Threshold: Threshold to determine the number of energy detect events that should cause the device to take actions. Intended to allow averaging of noise that may be on the line. Counter will reset after approximately 2 seconds without any energy detect data events. |

7.3 Link Diagnostics Registers - Page 2

Page 2 Link Diagnostics Registers are accessible by setting bits [1:0] = 10 of PAGESEL (13h).

7.3.1 100Mb Length Detect Register (LEN100_DET), Page 2, address 14h

This register contains linked cable length estimation in 100Mb operation. The cable length is an estimation of the effective cable length based on the characteristics of the recovered signal. The cable length is valid only during 100Mb operation with a valid Link status indication.

Table 43. 100Mb Length Detect Register (LEN100_DET), address 14h

| Bit | Bit Name | Default | Description |
|------|-----------|---------|--|
| 15:8 | RESERVED | 0, RO | RESERVED: Writes ignored, read as 0. |
| 7:0 | CABLE_LEN | 0, RO | Cable Length Estimate: Indicates an estimate of effective cable length in meters. A value of FF indicates cable length cannot be determined. |

7.3.2 100Mb Frequency Offset Indication Register (FREQ100), Page 2, address 15h

This register returns an indication of clock frequency offset relative to the link partner. Two values can be read, the long term Frequency Offset, or a short term Frequency Control value. The Frequency Control value includes short term phase correction. The variance between the Frequency Control value and the Frequency Offset can be used as an indication of the amount of jitter in the system.

Table 44. 100Mb Frequency Offset Indication Register (FREQ100), address 15h

| Bit | Bit Name | Default | Description |
|------|-------------|---------|---|
| 15 | SAMPLE_FREQ | 0, RW | Sample Frequency Offset: If Sel_FC is set to a 0, then setting this bit to a 1 will poll the DSP for the long-term Frequency Offset value. The value will be available in the Freq_Offset bits of this register. If Sel_FC is set to a 1, then setting this bit to a 1 will poll the DSP for the current Frequency Control value. The value will be available in the Freq_Offset bits of this register. This register bit will always read back as 0. |
| 14:9 | RESERVED | 0, RO | RESERVED: Writes ignored, read as 0. |
| 8 | SEL_FC | 0, RW | Select Frequency Control: Setting this bit to a 1 will select the current Frequency Control value instead of the Frequency Offset. This value contains Frequency Offset plus the short term phase correction and can be used to indicate amount of jitter in the system. The value will be available in the Freq_Offset bits of this register. |
| 7:0 | FREQ_OFFSET | 0, RO | Frequency Offset: Frequency offset value loaded from the DSP following assertion of the Sample_Freq control bit. The Frequency Offset or Frequency Control value is a twos-complement signed value in units of approximately 5.1562ppm. The range is as follows: 0x7F = +655ppm 0x00 = 0ppm 0x80 = -660ppm |

7.3.3 TDR Control Register (TDR_CTRL), Page 2, address 16h

This register contains control for the Time Domain Reflectometry (TDR) cable diagnostics. The TDR cable diagnostics sends pulses down the cable and captures reflection data to be used to estimate cable length and detect certain cabling faults.

Table 45. TDR Control Register (TDR_CTRL), address 16h

| Bit | Bit Name | Default | Description |
|------|--------------|---------------|---|
| 15 | TDR_ENABLE | 0, RW | TDR Enable: Enable TDR mode. This forces powerup state to correct operating condition for sending and receiving TDR pulses. |
| 14 | TDR_100Mb | 0, RW | TDR 100Mb: Sets TDR controller to use the 100Mb Transmitter. This allows for sending pulse widths in multiples of 8ns. Pulses in 100Mb mode will alternate between positive pulses and negative pulses. Default operation uses the 10Mb Link Pulse generator. Pulses may include just the 50ns preemphasis portion of the pulse or the 100ns full link pulse (as controlled by setting TDR Width). |
| 13 | TX_CHANNEL | 0, RW | Transmit Channel Select: Select transmit channel for sending pulses. Pulse can be sent on the Transmit or Receive pair. 0 : Transmit channel 1 : Receive channel |
| 12 | RX_CHANNEL | 0, RW | Receive Channel Select: Select receive channel for detecting pulses. Pulse can be monitored on the Transmit or Receive pair. 0 : Transmit channel 1 : Receive channel |
| 11 | SEND_TDR | 0, RW/SC | Send TDR Pulse: Setting this bit will send a TDR pulse and enable the monitor circuit to capture the response. This bit will automatically clear when the capture is complete. |
| 10:8 | TDR_WIDTH | 0, RW | TDR Pulse Width: Pulse width in clocks for the transmitted pulse. In 100Mb mode, pulses are in 8ns increments. In 10Mb mode, pulses are in 50ns increments, but only 50ns or 100ns pulses can be sent. Sending a pulse of 0 width will not transmit a pulse, but allows for baseline testing. |
| 7 | TDR_MIN_MODE | 0, RW | Min/Max Mode control: This bit controls direction of the pulse to be detected. Default looks for a positive peak. Threshold and peak values will be interpreted appropriately based on this bit. 0 : Max Mode, detect positive peak 1 : Min Mode, detect negative peak |
| 6 | RESERVED | 0, RO | RESERVED: Writes ignored, read as 0. |
| 5:0 | RX_THRESHOLD | <10_0000>, RW | RX Threshold: This value provides a threshold for measurement to the start of a peak. If Min Mode is set to 0, data must be greater than this value to trigger a capture. If Min Mode is 1, data must be less than this value to trigger a capture. Data ranges from 0x00 to 0x3F, with 0x20 as the midpoint. Positive data is greater than 0x20, negative data is less than 0x20. |

7.3.4 TDR Window Register (TDR_WIN), Page 2, address 17h

This register contains sample window control for the Time Domain Reflectometry (TDR) cable diagnostics. The two values contained in this register specify the beginning and end times for the window to monitor the response to the transmitted pulse. Time values are in 8ns increments. This provides a method to search for multiple responses and also to screen out the initial outgoing pulse.

Table 46. TDR Window Register (TDR_WIN), address 17h

| Bit | Bit Name | Default | Description |
|------|-----------|----------|---|
| 15:8 | TDR_START | 0, RW | TDR Start Window: Specifies start time for monitoring TDR response. |
| 7:0 | TDR_STOP | 0xFF, RW | TDR Stop Window: Specifies stop time for monitoring TDR response. The Stop Window should be set to a value greater than or equal to the Start Window. |

7.3.5 TDR Peak Register (TDR_PEAK), Page 2, address 18h

This register contains the results of the TDR Peak Detection. Results are valid if the TDR_CTRL[11] is clear following sending the TDR pulse.

Table 47. TDR Peak Register (TDR_PEAK), address 18h

| Bit | Bit Name | Default | Description |
|-------|---------------|---------|--|
| 15:14 | RESERVED | 0, RO | RESERVED: Writes ignored, read as 0. |
| 13:8 | TDR_PEAK | 0, RO | TDR Peak Value: This register contains the peak value measured during the TDR sample window. If Min Mode control (TDR_CTRL[7]) is 0, this contains the maximum detected value. If Min Mode control is 1, this contains the minimum detected value. |
| 7:0 | TDR_PEAK_TIME | 0, RO | TDR Peak Time: Specifies the time for the first occurrence of the peak value. |

7.3.6 TDR Threshold Register (TDR_THR), Page 2, address 19h

This register contains the results of the TDR Threshold Detection. Results are valid if the TDR_CTRL[11] is clear following sending the TDR pulse.

Table 48. TDR Threshold Register (TDR_THR), address 19h

| Bit | Bit Name | Default | Description |
|------|--------------|---------|---|
| 15:9 | RESERVED | 0, RO | RESERVED: Writes ignored, read as 0. |
| 8 | TDR_THR_MET | 0, RO | TDR Threshold Met: This bit indicates the TDR threshold was met during the sample window. A value of 0 indicates the threshold was not met. |
| 7:0 | TDR_THR_TIME | 0, RO | TDR Threshold Time: Specifies the time for the first data that met the TDR threshold. This field is only valid if the threshold was met. |

7.3.7 Variance Control Register (VAR_CTRL), Page 2, address 1Ah

The Variance Control and Data Registers provide control and status for the Cable Signal Quality Estimation function. The Cable Signal Quality Estimation allows a simple method of determining an approximate Signal-to-Noise Ratio for the 100Mb receiver. This register contains the programmable controls and status bits for the variance computation, which can be used to make a simple Signal-to-Noise Ratio estimation.

Table 49. Variance Control Register (VAR_CTRL), address 1Ah

| Bit | Bit Name | Default | Description |
|------|------------|---------|--|
| 15 | VAR_RDY | 0, RO | Variance Data Ready Status: Indicates new data is available in the Variance data register. This bit will be automatically cleared after two consecutive reads of VAR_DATA. |
| 14:4 | RESERVED | 0, RO | RESERVED: Writes ignored, read as 0. |
| 3 | VAR_FREEZE | 0, RW | Freeze Variance Registers: Freeze VAR_DATA register. This bit ensures that VAR_DATA register is frozen for software reads. This bit is automatically cleared after two consecutive reads of VAR_DATA. |
| 2:1 | VAR_TIMER | 0, RW | Variance Computation Timer (in ms): Selects the Variance computation timer period. After a new value is written, computation is automatically restarted. New variance register values are loaded after the timer elapses. Var_Timer = 0 => 2 ms timer (default) Var_Timer = 1 => 4 ms timer Var_Timer = 2 => 6 ms timer Var_Timer = 3 => 8 ms timer Time units are actually 2^{17} cycles of an 8ns clock, or 1.048576ms. |
| 0 | VAR_ENABLE | 0, RW | Variance Enable: Enable Variance computation. Off by default. |

7.3.8 Variance Data Register (VAR_DATA), Page 2, address 1Bh

This register contains the 32-bit Variance Sum. The contents of the data are valid only when VAR_RDY is asserted in the VAR_CTRL register. Upon detection of VAR_RDY asserted, software should set the VAR_FREEZE bit in the VAR_CTRL register to prevent loading of a new value into the VAR_DATA register. Since the Variance Data value is 32-bits, two reads of this register are required to get the full value.

Table 50. Variance Data Register (VAR_DATA), address 1Bh

| Bit | Bit Name | Default | Description |
|------|----------|---------|--|
| 15:0 | VAR_DATA | 0, RO | Variance Data: Two reads are required to return the full 32-bit Variance Sum value. Following setting the VAR_FREEZE control, the first read of this register will return the low 16 bits of the Variance data. A second read will return the high 16 bits of Variance data. |

7.3.9 Link Quality Monitor Register (LQMR), Page 2, address 1Dh

This register contains the controls for the Link Quality Monitor function. The Link Quality Monitor provides a mechanism for programming a set of thresholds for DSP parameters. If the thresholds are violated, an interrupt will be asserted if enabled in the MISR. Monitor control and status are available in this register, while the LQDR register controls read/write access to threshold values and current parameter values. Reading of LQMR register clears warning bits and re-arms the interrupt generation. In addition, this register provides a mechanism for allowing automatic reset of the 100Mb link based on the Link Quality Monitor status.

Table 51. Link Quality Monitor Register (LQMR), address 1Dh

| Bit | Bit Name | Default | Description |
|-------|--------------|-----------|--|
| 15 | LQM_ENABLE | 0, RW | Link Quality Monitor Enable: Enables the Link Quality Monitor. The enable is qualified by having a valid 100Mb link. In addition, the individual thresholds can be disabled by setting to the max or min values. |
| 14:10 | RESERVED | 0, RO | RESERVED: Writes ignored, read as 0. |
| 9 | FC_HI_WARN | 0, RO/COR | Frequency Control High Warning: This bit indicates the Frequency Control High Threshold was exceeded. This register bit will be cleared on read. |
| 8 | FC_LO_WARN | 0, RO/COR | Frequency Control Low Warning: This bit indicates the Frequency Control Low Threshold was exceeded. This register bit will be cleared on read. |
| 7 | FREQ_HI_WARN | 0, RO/COR | Frequency Offset High Warning: This bit indicates the Frequency Offset High Threshold was exceeded. This register bit will be cleared on read. |
| 6 | FREQ_LO_WARN | 0, RO/COR | Frequency Offset Low Warning: This bit indicates the Frequency Offset Low Threshold was exceeded. This register bit will be cleared on read. |
| 5 | DBLW_HI_WARN | 0, RO/COR | DBLW High Warning: This bit indicates the DBLW High Threshold was exceeded. This register bit will be cleared on read. |
| 4 | DBLW_LO_WARN | 0, RO/COR | DBLW Low Warning: This bit indicates the DBLW Low Threshold was exceeded. This register bit will be cleared on read. |
| 3 | DAGC_HI_WARN | 0, RO/COR | DAGC High Warning: This bit indicates the DAGC High Threshold was exceeded. This register bit will be cleared on read. |
| 2 | DAGC_LO_WARN | 0, RO/COR | DAGC Low Warning: This bit indicates the DAGC Low Threshold was exceeded. This register bit will be cleared on read. |
| 1 | C1_HI_WARN | 0, RO/COR | C1 High Warning: This bit indicates the DEQ C1 High Threshold was exceeded. This register bit will be cleared on read. |
| 0 | C1_LO_WARN | 0, RO/COR | C1 Low Warning: This bit indicates the DEQ C1 Low Threshold was exceeded. This register bit will be cleared on read. |

7.3.10 Link Quality Data Register (LQDR), Page 2

This register provides read/write control of thresholds for the 100Mb Link Quality Monitor function. The register also provides a mechanism for reading current adapted parameter values. Threshold values may not be written if the device is powered-down.

Table 52. Link Quality Data Register (LQDR), address 1Eh

| Bit | Bit Name | Default | Description |
|-------|--------------|---------|--|
| 15:14 | RESERVED | 0, RO | RESERVED: Writes ignored, read as 0. |
| 13 | SAMPLE_PARAM | 0, RW | Sample DSP Parameter: Setting this bit to a 1 enables reading of current parameter values and initiates sampling of the parameter value. The parameter to be read is selected by the LQ_PARAM_SEL bits. |
| 12 | WRITE_LQ_THR | 0, RW | Write Link Quality Threshold: Setting this bit will cause a write to the Threshold register selected by LQ_PARAM_SEL and LQ_THR_SEL. The data written is contained in LQ_THR_DATA. This bit will always read back as 0. |
| 11:9 | LQ_PARAM_SEL | 0, RW | Link Quality Parameter Select: This 3-bit field selects the Link Quality Parameter. This field is used for sampling current parameter values as well as for reads/writes to Threshold values. The following encodings are available: 000: DEQ_C1 001: DAGC 010: DBLW 011: Frequency Offset 100: Frequency Control |
| 8 | LQ_THR_SEL | 0, RW | Link Quality Threshold Select: This bit selects the Link Quality Threshold to be read or written. A 0 selects the Low threshold, while a 1 selects the high threshold. When combined with the LQ_PARAM_SEL field, the following encodings are available {LQ_PARAM_SEL, LQ_THR_SEL}: 000,0: DEQ_C1 Low 000,1: DEQ_C1 High 001,0: DAGC Low 001,1: DAGC High 010,0: DBLW Low 010,1: DBLW High 011,0: Frequency Offset Low 011,1: Frequency Offset High 100,0: Frequency Control Low 100,1: Frequency Control High |
| 7:0 | LQ_THR_DATA | 0, RW | Link Quality Threshold Data: The operation of this field is dependent on the value of the Sample_Param bit. If Sample_Param = 0: On a write, this value contains the data to be written to the selected Link Quality Threshold register. On a read, this value contains the current data in the selected Link Quality Threshold register. If Sample_Param = 1: On a read, this value contains the sampled parameter value. This value will remain unchanged until a new read sequence is started. |

8.0 Electrical Specifications

Note: All parameters are guaranteed by test, statistical analysis or design.

Absolute Maximum Ratings

| | |
|--|--------------------------|
| Supply Voltage (V_{CC}) | -0.5 V to 4.2 V |
| DC Input Voltage (V_{IN}) | -0.5V to $V_{CC} + 0.5V$ |
| DC Output Voltage (V_{OUT}) | -0.5V to $V_{CC} + 0.5V$ |
| Storage Temperature (T_{STG}) | -65°C to 150°C |
| Lead Temp. (TL) (Soldering, 10 sec.) | 260 °C |
| ESD Rating ($R_{ZAP} = 1.5k$, $C_{ZAP} = 100$ pF) | 4.0 kV |

Recommended Operating Conditions

| | |
|--|---------------------|
| Supply voltage (V_{CC}) | 3.3 Volts \pm .3V |
| Industrial - Ambient Temperature (T_A) | -40 to 85 °C |
| Power Dissipation (P_D) | 594 mW |

Absolute maximum ratings are those values beyond which the safety of the device cannot be guaranteed. They are not meant to imply that the device should be operated at these limits.

Thermal Characteristic

| | Max | Units |
|--|------|--------|
| Maximum Case Temperature @ 1.0 W | 108 | °C |
| Theta Junction to Case (T_{jC}) @ 1.0 W | 17.3 | °C / W |
| Theta Junction to Ambient (T_{jA}) degrees Celsius/Watt - No Airflow @ 1.0 W | 53 | °C / W |

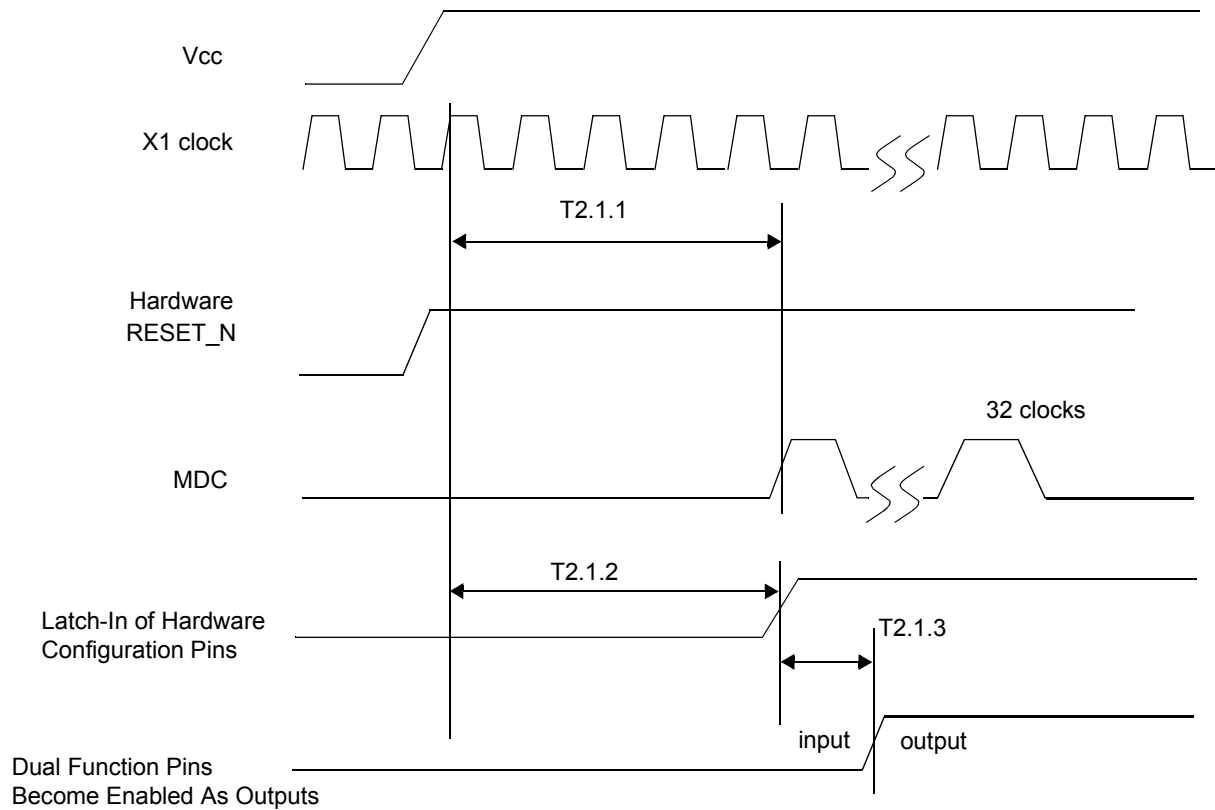
8.1 DC Specs

| Symbol | Pin Types | Parameter | Conditions | Min | Typ | Max | Units |
|-----------------|-----------------|--------------------------------|--------------------|----------------|-----|----------|---------|
| V_{IH} | I I/O | Input High Voltage | Nominal V_{CC} | 2.0 | | | V |
| V_{IL} | I I/O | Input Low Voltage | | | | 0.8 | V |
| I_{IH} | I I/O | Input High Current | $V_{IN} = V_{CC}$ | | | 10 | μ A |
| I_{IL} | I I/O | Input Low Current | $V_{IN} = GND$ | | | 10 | μ A |
| V_{OL} | O, I/O | Output Low Voltage | $I_{OL} = 4$ mA | | | 0.4 | V |
| V_{OH} | O, I/O | Output High Voltage | $I_{OH} = -4$ mA | $V_{CC} - 0.5$ | | | V |
| I_{OZ} | I/O, O | TRI-STATE Leakage | $V_{OUT} = V_{CC}$ | | | ± 10 | μ A |
| V_{TPTD_100} | PMD Output Pair | 100M Transmit Voltage | | 0.95 | 1 | 1.05 | V |
| $V_{TPTDsym}$ | PMD Output Pair | 100M Transmit Voltage Symmetry | | | | ± 2 | % |
| V_{TPTD_10} | PMD Output Pair | 10M Transmit Voltage | | 2.2 | 2.5 | 2.8 | V |
| V_{FXTD_100} | PMD Output Pair | FX100M Transmit Voltage | | .3 | .5 | .93 | V |
| C_{IN1} | I | CMOS Input Capacitance | | | 8 | | pF |

| Symbol | Pin Types | Parameter | Conditions | Min | Typ | Max | Units |
|---------------------|----------------|---|------------------|-----|-----|------|---------------|
| C _{OUT1} | O | CMOS Output Capacitance | | | 8 | | pF |
| SD _{THon} | PMD Input Pair | 100BASE-TX Signal detect turn-on threshold | | | | 1000 | mV diff pk-pk |
| SD _{THoff} | PMD Input Pair | 100BASE-TX Signal detect turn-off threshold | | 200 | | | mV diff pk-pk |
| V _{TH1} | PMD Input Pair | 10BASE-T Receive Threshold | | | | 585 | mV |
| I _{dd100} | Supply | 100BASE-TX (Full Duplex) | | | 180 | | mA |
| I _{dd10} | Supply | 10BASE-T (Full Duplex) | | | 180 | | mA |
| I _{dd} | Supply | Power Down Mode | CLK2MAC disabled | | 9.5 | | mA |

8.2 AC Specs

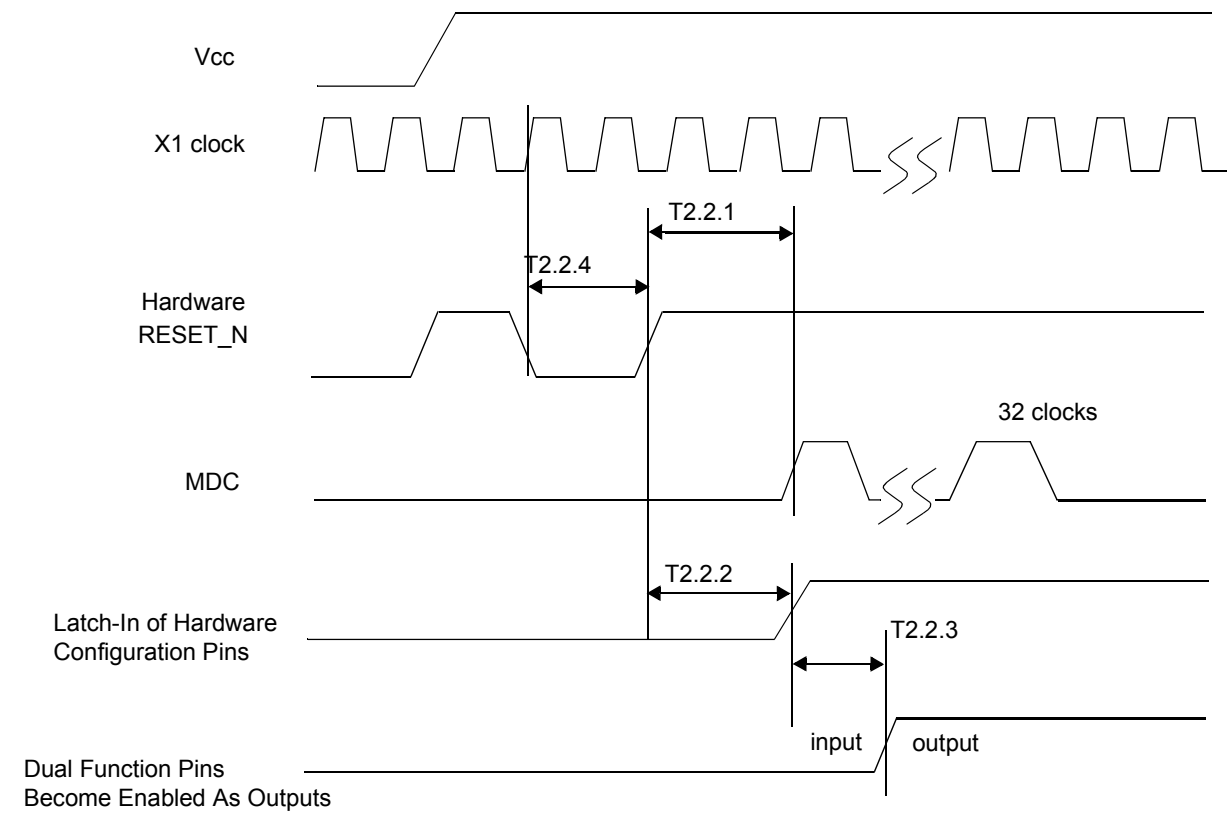
8.2.1 Power Up Timing



| Parameter | Description | Notes | Min | Typ | Max | Units |
|-----------|--|--|-----|-----|-----|-------|
| T2.1.1 | Post Power Up Stabilization time prior to MDC preamble for register accesses | MDIO is pulled high for 32-bit serial management initialization X1 Clock must be stable for a min. of 167ms at power up. | 167 | | | ms |
| T2.1.2 | Hardware Configuration Latch-in Time from power up | Hardware Configuration Pins are described in the Pin Description section X1 Clock must be stable for a min. of 167ms at power up. | 167 | | | ms |
| T2.1.3 | Hardware Configuration pins transition to output drivers | | | 50 | | ns |

Note: In RMI Mode, the minimum Post Power up Stabilization and Hardware Configuration Latch-in times are 84ms.

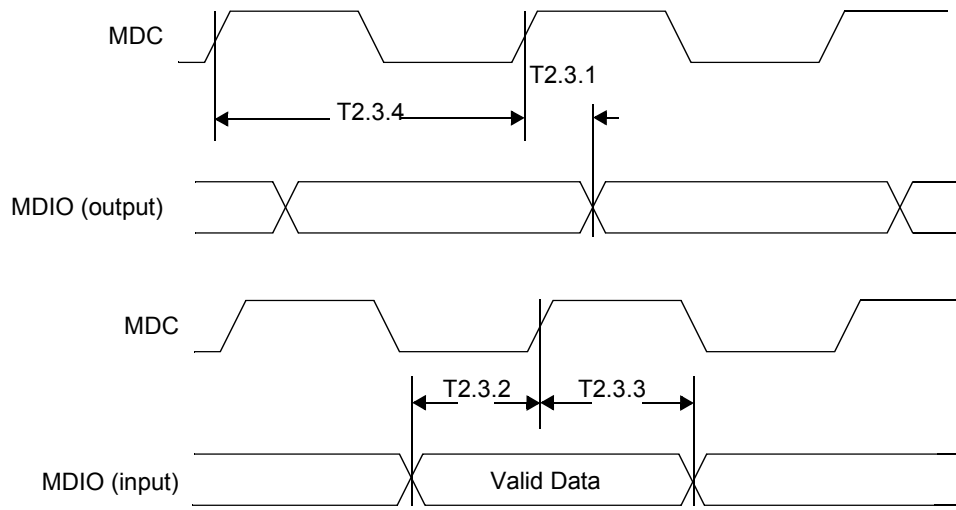
8.2.2 Reset Timing



| Parameter | Description | Notes | Min | Typ | Max | Units |
|-----------|--|--|-----|-----|-----|-------|
| T2.2.1 | Post RESET Stabilization time prior to MDC preamble for register accesses | MDIO is pulled high for 32-bit serial management initialization | | 3 | | μs |
| T2.2.2 | Hardware Configuration Latch-in Time from the Deassertion of RESET (either soft or hard) | Hardware Configuration Pins are described in the Pin Description section | | 3 | | μs |
| T2.2.3 | Hardware Configuration pins transition to output drivers | | | 50 | | ns |
| T2.2.4 | RESET pulse width | X1 Clock must be stable for at min. of 1us during RESET pulse low time. | 1 | | | μs |

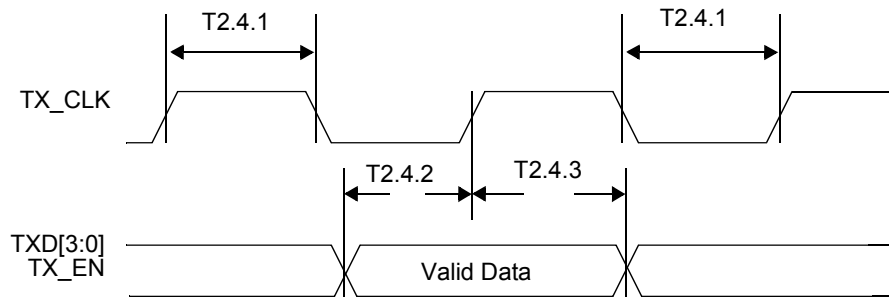
Note: It is important to choose pull-up and/or pull-down resistors for each of the hardware configuration pins that provide fast RC time constants in order to latch-in the proper value prior to the pin transitioning to an output driver.

8.2.3 MII Serial Management Timing



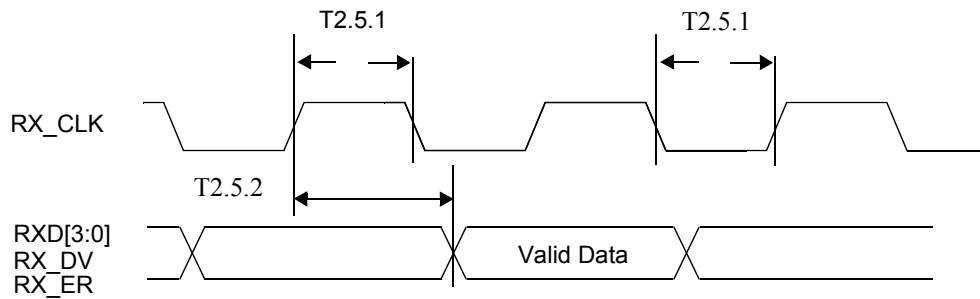
| Parameter | Description | Notes | Min | Typ | Max | Units |
|-----------|---------------------------------|-------|-----|-----|-----|-------|
| T2.3.1 | MDC to MDIO (Output) Delay Time | | 0 | | 30 | ns |
| T2.3.2 | MDIO (Input) to MDC Setup Time | | 10 | | | ns |
| T2.3.3 | MDIO (Input) to MDC Hold Time | | 10 | | | ns |
| T2.3.4 | MDC Frequency | | | 2.5 | 25 | MHz |

8.2.4 100 Mb/s MII Transmit Timing



| Parameter | Description | Notes | Min | Typ | Max | Units |
|-----------|---------------------------------------|----------------------|-----|-----|-----|-------|
| T2.4.1 | TX_CLK High/Low Time | 100 Mb/s Normal mode | 16 | 20 | 24 | ns |
| T2.4.2 | TXD[3:0], TX_EN Data Setup to TX_CLK | 100 Mb/s Normal mode | 10 | | | ns |
| T2.4.3 | TXD[3:0], TX_EN Data Hold from TX_CLK | 100 Mb/s Normal mode | 0 | | | ns |

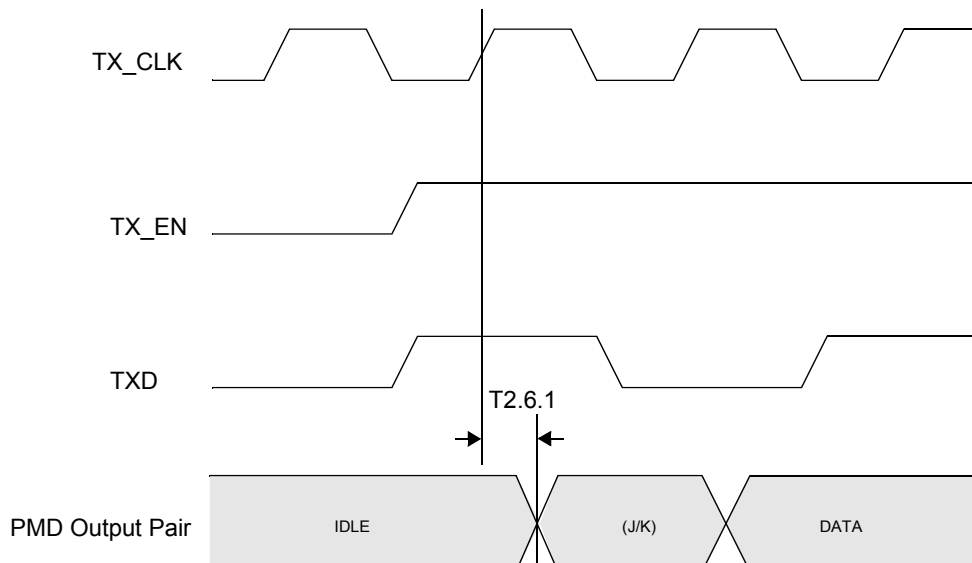
8.2.5 100 Mb/s MII Receive Timing



| Parameter | Description | Notes | Min | Typ | Max | Units |
|-----------|--|----------------------|-----|-----|-----|-------|
| T2.5.1 | RX_CLK High/Low Time | 100 Mb/s Normal mode | 16 | 20 | 24 | ns |
| T2.5.2 | RX_CLK to RXD[3:0], RX_DV, RX_ER Delay | 100 Mb/s Normal mode | 10 | | 30 | ns |

Note: RX_CLK may be held low or high for a longer period of time during transition between reference and recovered clocks. Minimum high and low times will not be violated.

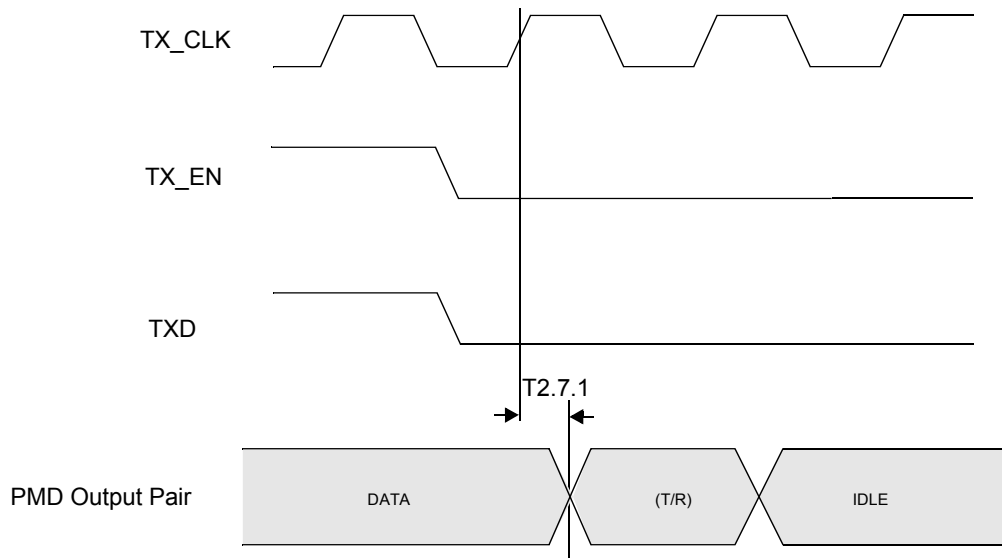
8.2.6 100BASE-TX and 100BASE-FX MII Transmit Packet Latency Timing



| Parameter | Description | Notes | Min | Typ | Max | Units |
|-----------|-----------------------------------|---------------------------------|-----|-----|-----|-------|
| T2.6.1 | TX_CLK to PMD Output Pair Latency | 100BASE-TX and 100BASE-FX modes | | 5 | | bits |

Note: For Normal mode, latency is determined by measuring the time from the first rising edge of TX_CLK occurring after the assertion of TX_EN to the first bit of the “J” code group as output from the PMD Output Pair. 1 bit time = 10 ns in 100 Mb/s mode.

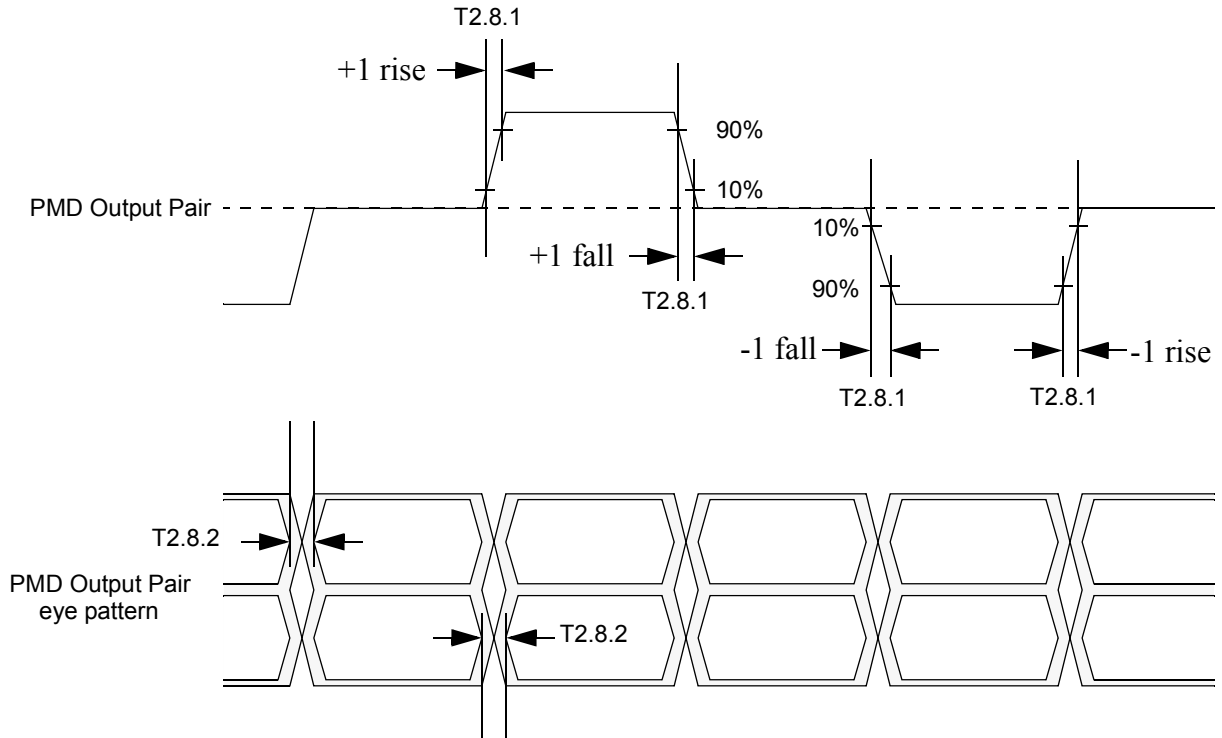
8.2.7 100BASE-TX and 100BASE-FX MII Transmit Packet Deassertion Timing



| Parameter | Description | Notes | Min | Typ | Max | Units |
|-----------|---------------------------------------|---------------------------------|-----|-----|-----|-------|
| T2.7.1 | TX_CLK to PMD Output Pair Deassertion | 100BASE-TX and 100BASE-FX modes | | 5 | | bits |

Note: Deassertion is determined by measuring the time from the first rising edge of TX_CLK occurring after the deassertion of TX_EN to the first bit of the “T” code group as output from the PMD Output Pair. 1 bit time = 10 ns in 100 Mb/s mode.

8.2.8 100BASE-TX Transmit Timing ($t_{R/F}$ & Jitter)

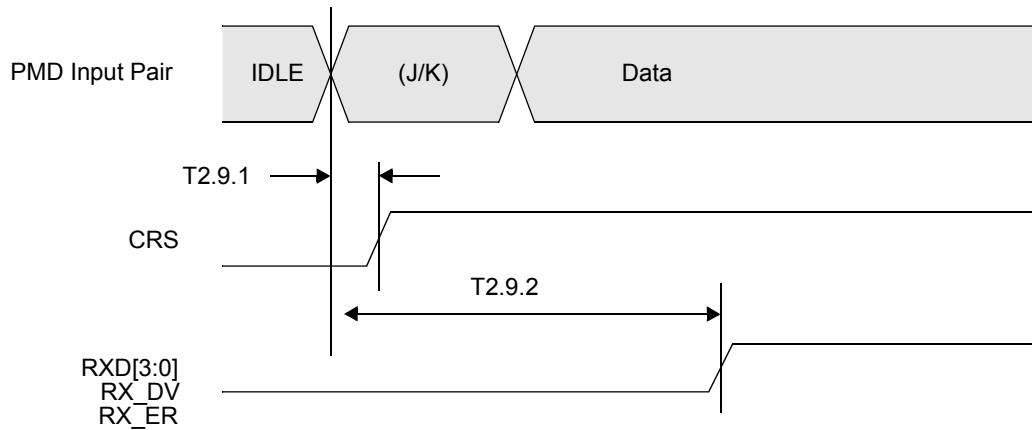


| Parameter | Description | Notes | Min | Typ | Max | Units |
|-----------|--|-------|-----|-----|-----|-------|
| T2.8.1 | 100 Mb/s PMD Output Pair t_R and t_F | | 3 | 4 | 5 | ns |
| | 100 Mb/s t_R and t_F Mismatch | | | | 500 | ps |
| T2.8.2 | 100 Mb/s PMD Output Pair Transmit Jitter | | | | 1.4 | ns |

Note: Normal Mismatch is the difference between the maximum and minimum of all rise and fall times

Note: Rise and fall times taken at 10% and 90% of the +1 or -1 amplitude

8.2.9 100BASE-TX and 100BASE-FX MII Receive Packet Latency Timing



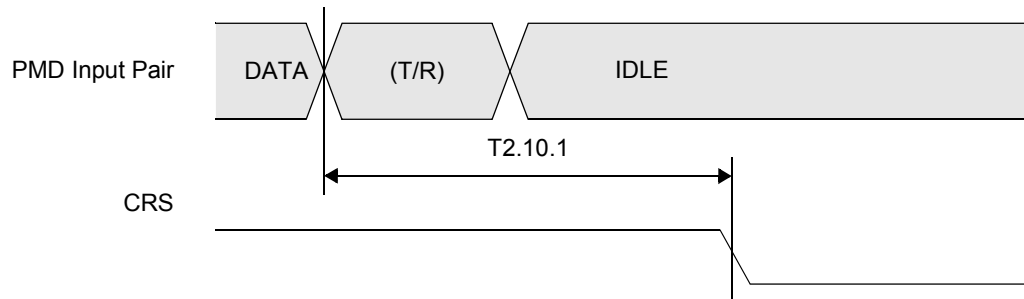
| Parameter | Description | Notes | Min | Typ | Max | Units |
|-----------|------------------------|------------------------------------|-----|----------|-----|-------|
| T2.9.1 | Carrier Sense ON Delay | 100BASE-TX mode 100BASE-FX mode | | 20 10 | | bits |
| T2.9.2 | Receive Data Latency | 100BASE-TX mode 100BASE-FX mode | | 24 14 | | bits |

Note: Carrier Sense On Delay is determined by measuring the time from the first bit of the “J” code group to the assertion of Carrier Sense.

Note: 1 bit time = 10 ns in 100 Mb/s mode

Note: PMD Input Pair voltage amplitude is greater than the Signal Detect Turn-On Threshold Value.

8.2.10 100BASE-TX and 100BASE-FX MII Receive Packet Deassertion Timing

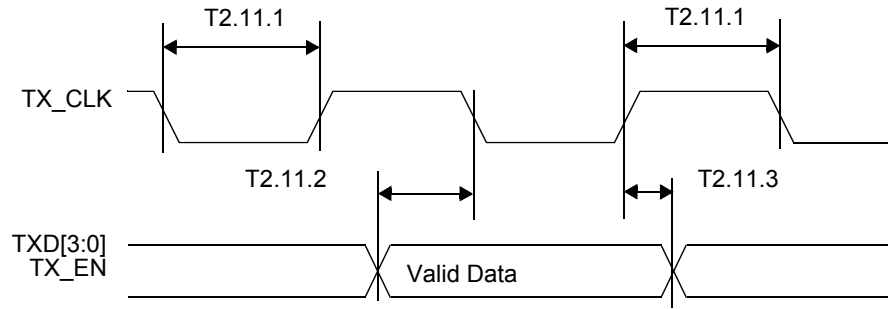


| Parameter | Description | Notes | Min | Typ | Max | Units |
|-----------|-------------------------|------------------------------------|-----|----------|-----|-------|
| T2.10.1 | Carrier Sense OFF Delay | 100BASE-TX mode 100BASE-FX mode | | 24 14 | | bits |

Note: Carrier Sense Off Delay is determined by measuring the time from the first bit of the “T” code group to the deassertion of Carrier Sense.

Note: 1 bit time = 10 ns in 100 Mb/s mode

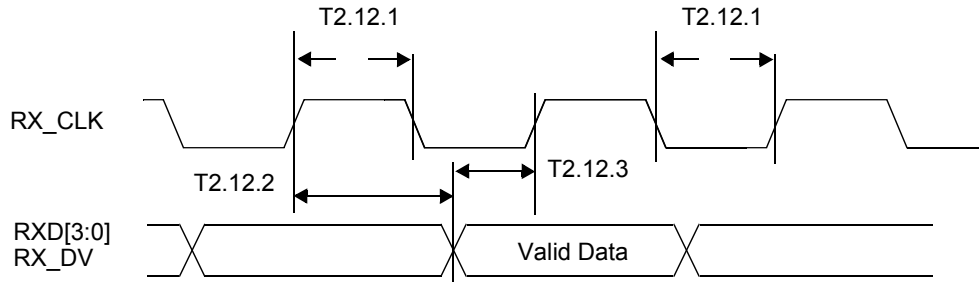
8.2.11 10 Mb/s MII Transmit Timing



| Parameter | Description | Notes | Min | Typ | Max | Units |
|-----------|--|------------------|-----|-----|-----|-------|
| T2.11.1 | TX_CLK High/Low Time | 10 Mb/s MII mode | 190 | 200 | 210 | ns |
| T2.11.2 | TXD[3:0], TX_EN Data Setup to TX_CLK fall | 10 Mb/s MII mode | 25 | | | ns |
| T2.11.3 | TXD[3:0], TX_EN Data Hold from TX_CLK rise | 10 Mb/s MII mode | 0 | | | ns |

Note: An attached Mac should drive the transmit signals using the positive edge of TX_CLK. As shown above, the MII signals are sampled on the falling edge of TX_CLK.

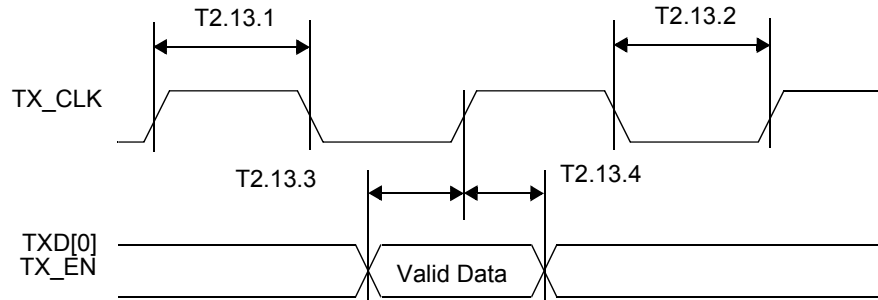
8.2.12 10 Mb/s MII Receive Timing



| Parameter | Description | Notes | Min | Typ | Max | Units |
|-----------|---|------------------|-----|-----|-----|-------|
| T2.12.1 | RX_CLK High/Low Time | | 160 | 200 | 240 | ns |
| T2.12.2 | RX_CLK to RXD[3:0], RX_DV Delay | 10 Mb/s MII mode | 100 | | | ns |
| T2.12.3 | RX_CLK rising edge delay from RXD[3:0], RX_DV Valid | 10 Mb/s MII mode | 100 | | | ns |

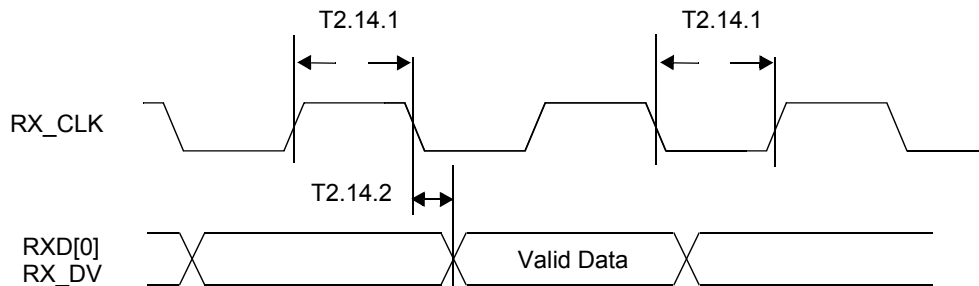
Note: RX_CLK may be held low for a longer period of time during transition between reference and recovered clocks. Minimum high and low times will not be violated.

8.2.13 10 Mb/s Serial Mode Transmit Timing



| Parameter | Description | Notes | Min | Typ | Max | Units |
|-----------|---|---------------------|-----|-----|-----|-------|
| T2.13.1 | TX_CLK High Time | 10 Mb/s Serial mode | 20 | 25 | 30 | ns |
| T2.13.2 | TX_CLK Low Time | 10 Mb/s Serial mode | 70 | 75 | 80 | ns |
| T2.13.3 | TXD_0, TX_EN Data Setup to TX_CLK rise | 10 Mb/s Serial mode | 25 | | | ns |
| T2.13.4 | TXD_0, TX_EN Data Hold from TX_CLK rise | 10 Mb/s Serial mode | 0 | | | ns |

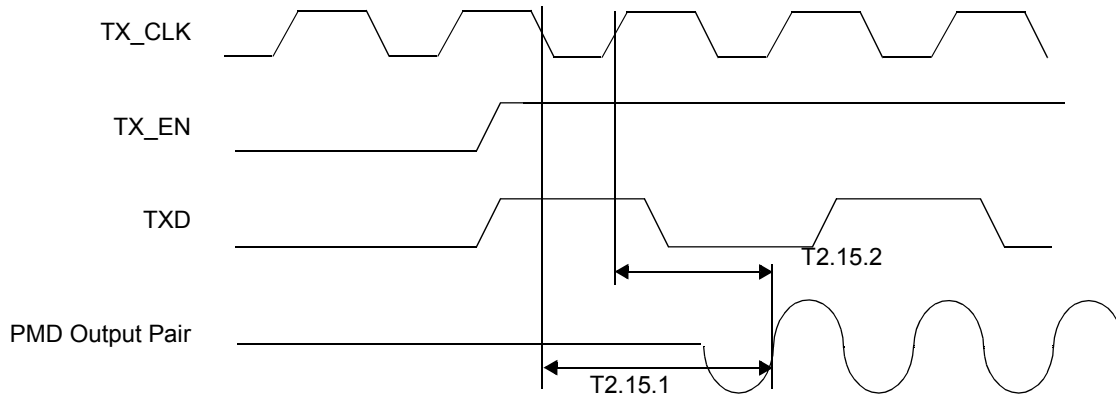
8.2.14 10 Mb/s Serial Mode Receive Timing



| Parameter | Description | Notes | Min | Typ | Max | Units |
|-----------|-----------------------------------|---------------------|-----|-----|-----|-------|
| T2.14.1 | RX_CLK High/Low Time | | 35 | 50 | 65 | ns |
| T2.14.2 | RX_CLK fall to RXD_0, RX_DV Delay | 10 Mb/s Serial mode | -10 | | 10 | ns |

Note: RX_CLK may be held high for a longer period of time during transition between reference and recovered clocks. Minimum high and low times will not be violated.

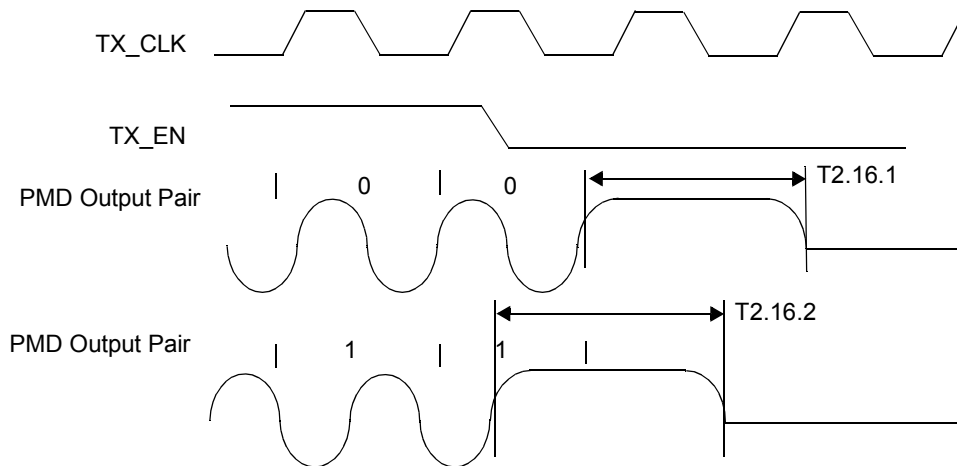
8.2.15 10BASE-T Transmit Timing (Start of Packet)



| Parameter | Description | Notes | Min | Typ | Max | Units |
|-----------|---|---------------------|-----|-----|-----|-------|
| T2.15.1 | Transmit Output Delay from the Falling Edge of TX_CLK | 10 Mb/s MII mode | | 3.5 | | bits |
| T2.15.2 | Transmit Output Delay from the Rising Edge of TX_CLK | 10 Mb/s Serial mode | | 3.5 | | bits |

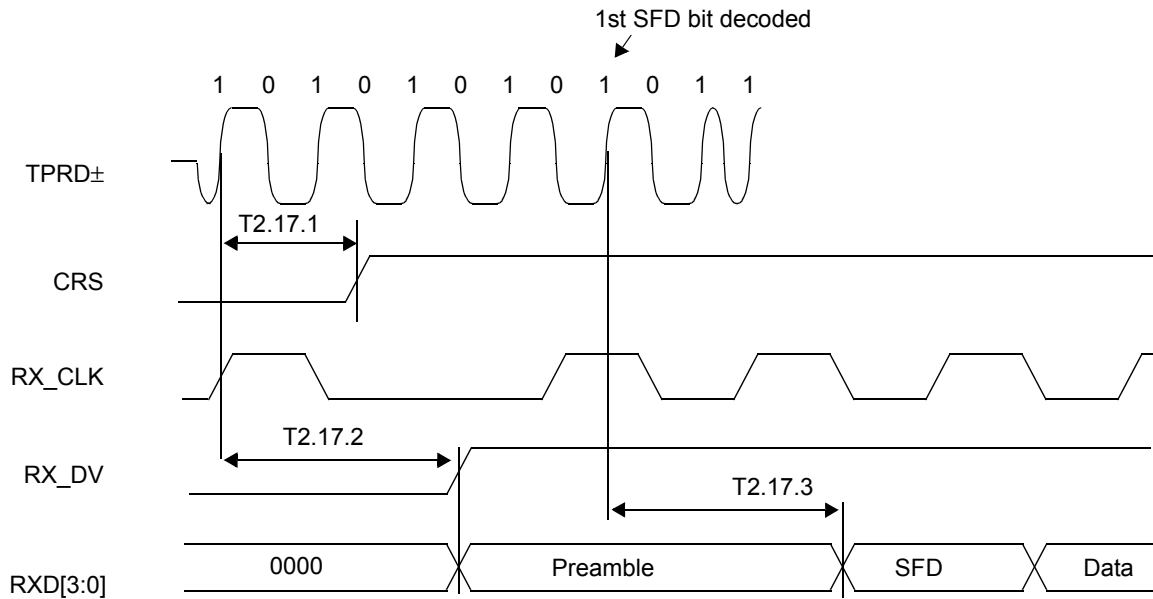
Note: 1 bit time = 100 ns in 10Mb/s.

8.2.16 10BASE-T Transmit Timing (End of Packet)



| Parameter | Description | Notes | Min | Typ | Max | Units |
|-----------|---|-------|-----|-----|-----|-------|
| T2.16.1 | End of Packet High Time (with '0' ending bit) | | 250 | 300 | | ns |
| T2.16.2 | End of Packet High Time (with '1' ending bit) | | 250 | 300 | | ns |

8.2.17 10BASE-T Receive Timing (Start of Packet)

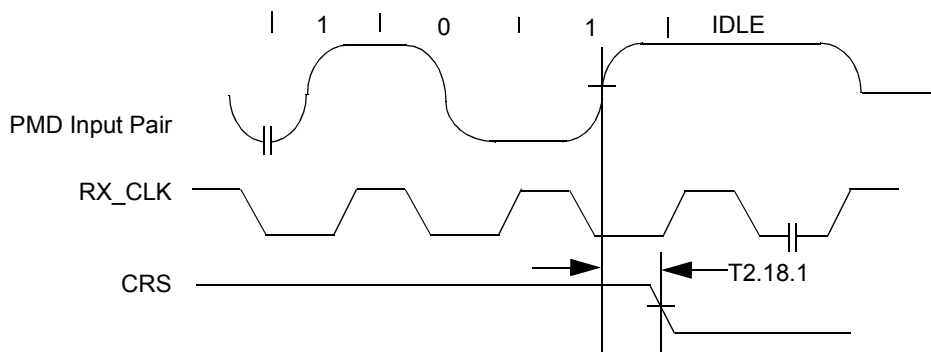


| Parameter | Description | Notes | Min | Typ | Max | Units |
|-----------|---|----------------------------|-----|-----|------|-------|
| T2.17.1 | Carrier Sense Turn On Delay (PMD Input Pair to CRS) | | | 630 | 1000 | ns |
| T2.17.2 | RX_DV Latency | | | 10 | | bits |
| T2.17.3 | Receive Data Latency | Measurement shown from SFD | | 8 | | bits |

Note: 10BASE-T RX_DV Latency is measured from first bit of preamble on the wire to the assertion of RX_DV

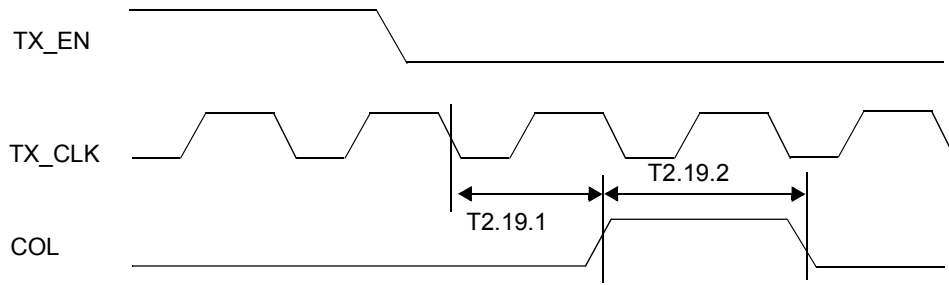
Note: 1 bit time = 100 ns in 10 Mb/s mode.

8.2.18 10BASE-T Receive Timing (End of Packet)



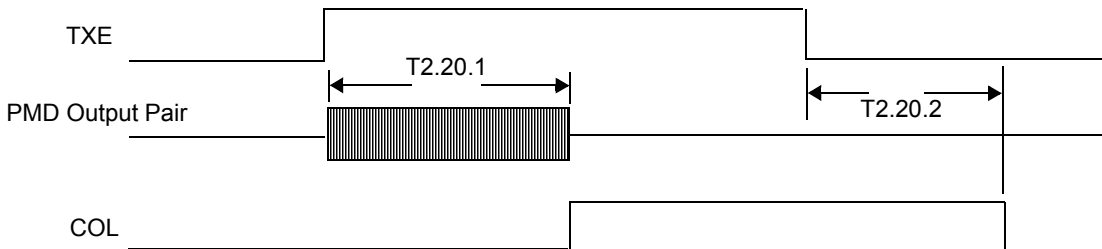
| Parameter | Description | Notes | Min | Typ | Max | Units |
|-----------|------------------------------|-------|-----|-----|-----|-------|
| T2.18.1 | Carrier Sense Turn Off Delay | | | | 1.0 | μs |

8.2.19 10 Mb/s Heartbeat Timing



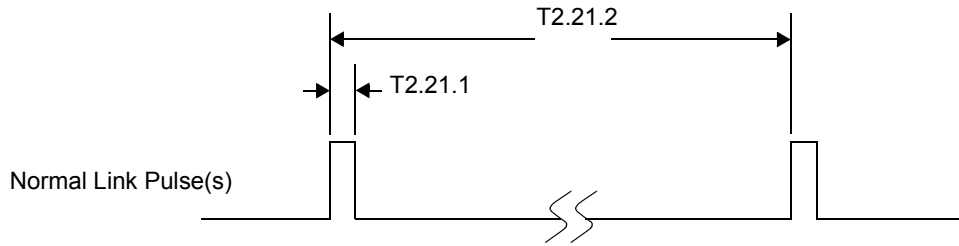
| Parameter | Description | Notes | Min | Typ | Max | Units |
|-----------|-----------------------|--------------------------|-----|------|-----|-------|
| T2.19.1 | CD Heartbeat Delay | 10 Mb/s half-duplex mode | | 1200 | | ns |
| T2.19.2 | CD Heartbeat Duration | 10 Mb/s half-duplex mode | | 1000 | | ns |

8.2.20 10 Mb/s Jabber Timing



| Parameter | Description | Notes | Min | Typ | Max | Units |
|-----------|--------------------------|-------|-----|-----|-----|-------|
| T2.20.1 | Jabber Activation Time | | | 85 | | ms |
| T2.20.2 | Jabber Deactivation Time | | | 500 | | ms |

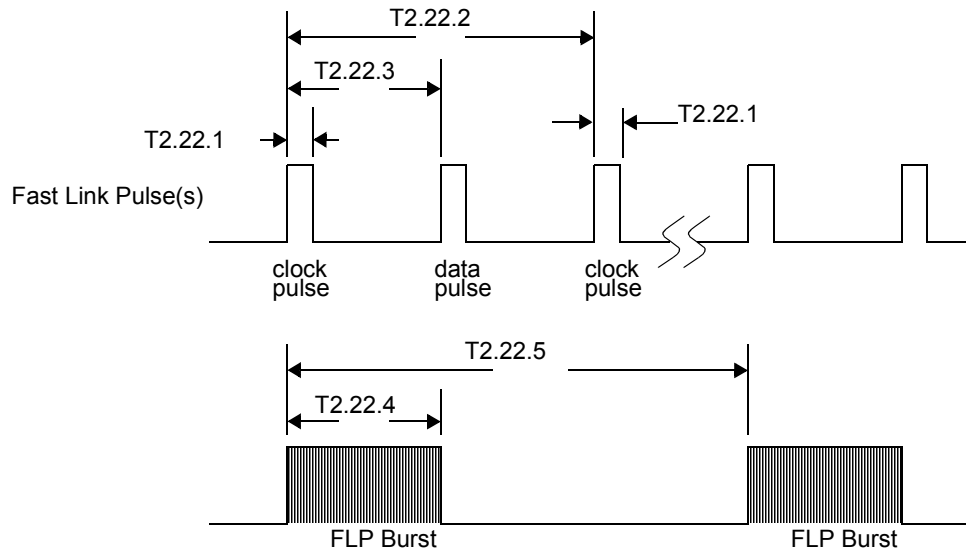
8.2.21 10BASE-T Normal Link Pulse Timing



| Parameter | Description | Notes | Min | Typ | Max | Units |
|-----------|--------------|-------|-----|-----|-----|-------|
| T2.21.1 | Pulse Width | | | 100 | | ns |
| T2.21.2 | Pulse Period | | | 16 | | ms |

Note: These specifications represent transmit timings.

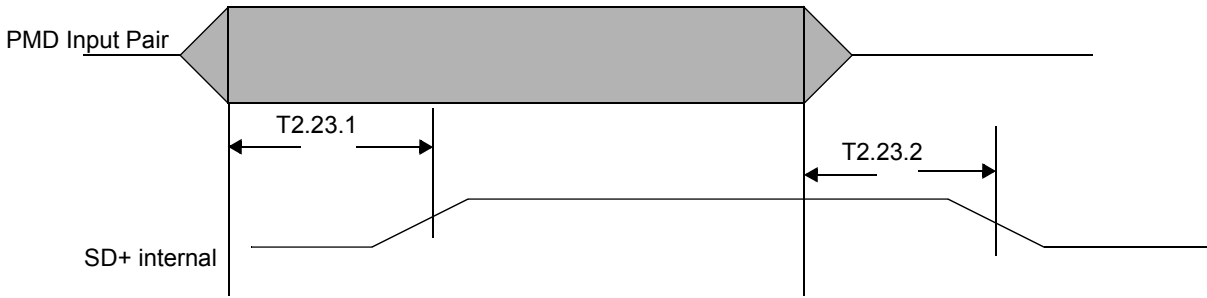
8.2.22 Auto-Negotiation Fast Link Pulse (FLP) Timing



| Parameter | Description | Notes | Min | Typ | Max | Units |
|-----------|-----------------------------------|----------|-----|-----|-----|-------|
| T2.22.1 | Clock, Data Pulse Width | | | 100 | | ns |
| T2.22.2 | Clock Pulse to Clock Pulse Period | | | 125 | | μs |
| T2.22.3 | Clock Pulse to Data Pulse Period | Data = 1 | | 62 | | μs |
| T2.22.4 | Burst Width | | | 2 | | ms |
| T2.22.5 | FLP Burst to FLP Burst Period | | | 16 | | ms |

Note: These specifications represent transmit timings.

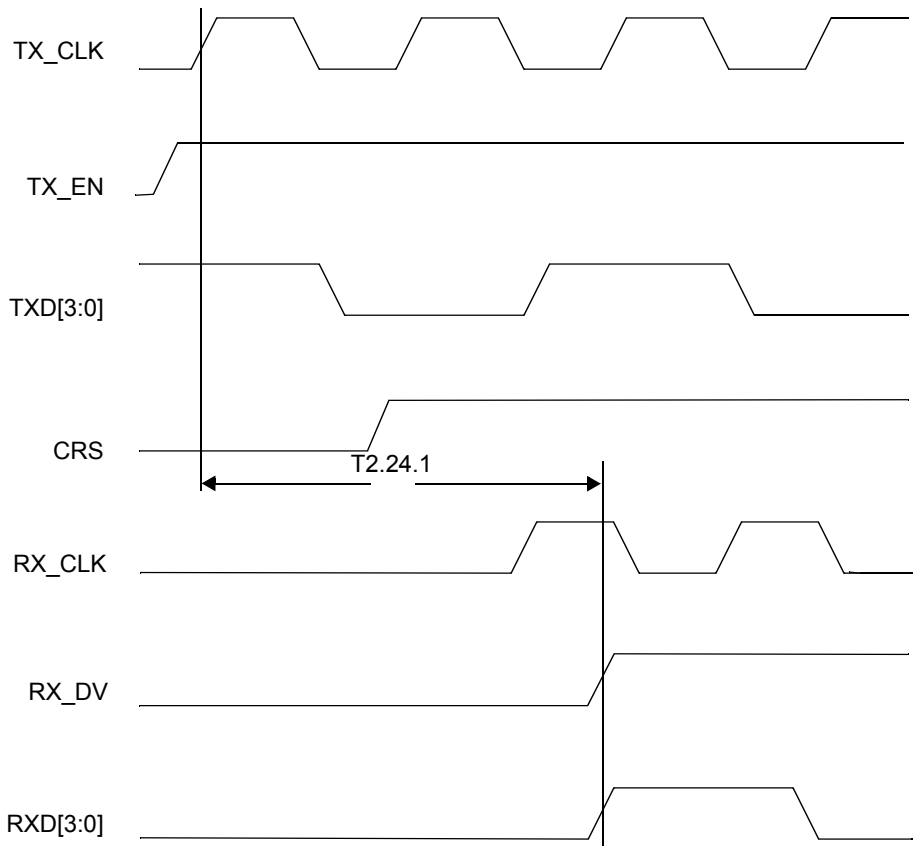
8.2.23 100BASE-TX Signal Detect Timing



| Parameter | Description | Notes | Min | Typ | Max | Units |
|-----------|---------------------------|-------|-----|-----|-----|-------|
| T2.23.1 | SD Internal Turn-on Time | | | | 1 | ms |
| T2.23.2 | SD Internal Turn-off Time | | | | 350 | μs |

Note: The signal amplitude on PMD Input Pair must be TP-PMD compliant.

8.2.24 100 Mb/s Internal Loopback Timing

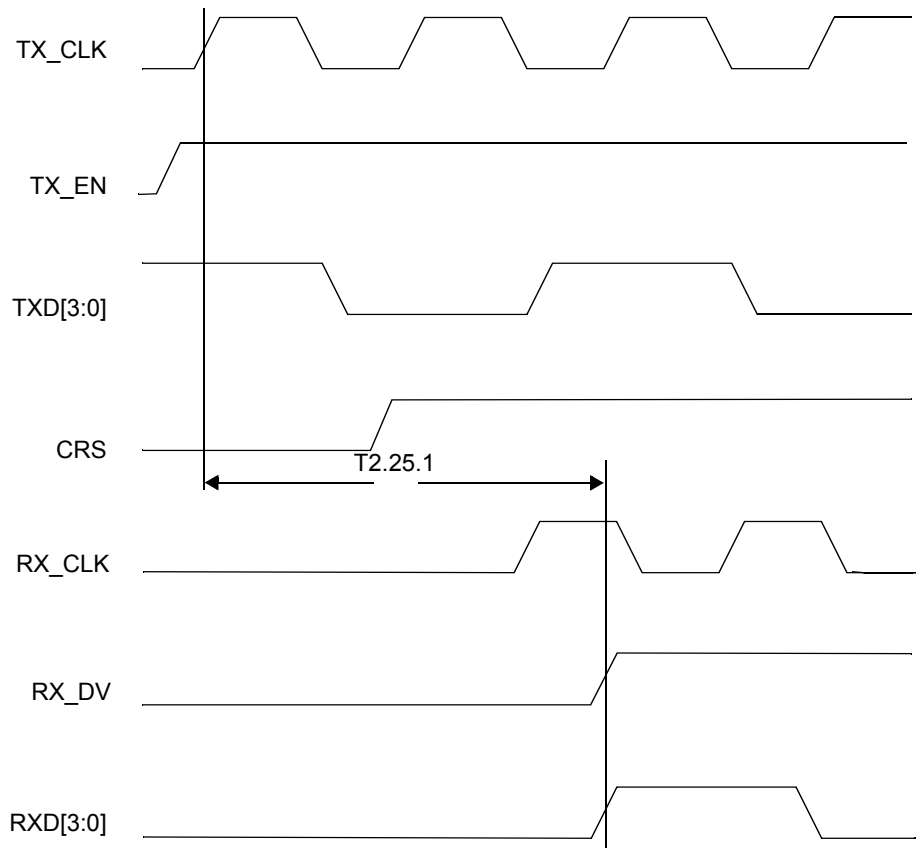


| Parameter | Description | Notes | Min | Typ | Max | Units |
|-----------|-------------------------|---------------------------------|-----|-----|-----|-------|
| T2.24.1 | TX_EN to RX_DV Loopback | 100 Mb/s internal loopback mode | | | 240 | ns |

Note1: Due to the nature of the descrambler function, all 100BASE-TX Loopback modes will cause an initial “dead-time” of up to 550 μs during which time no data will be present at the receive MII outputs. The 100BASE-TX timing specified is based on device delays after the initial 550μs “dead-time”.

Note2: Measurement is made from the first rising edge of TX_CLK after assertion of TX_EN.

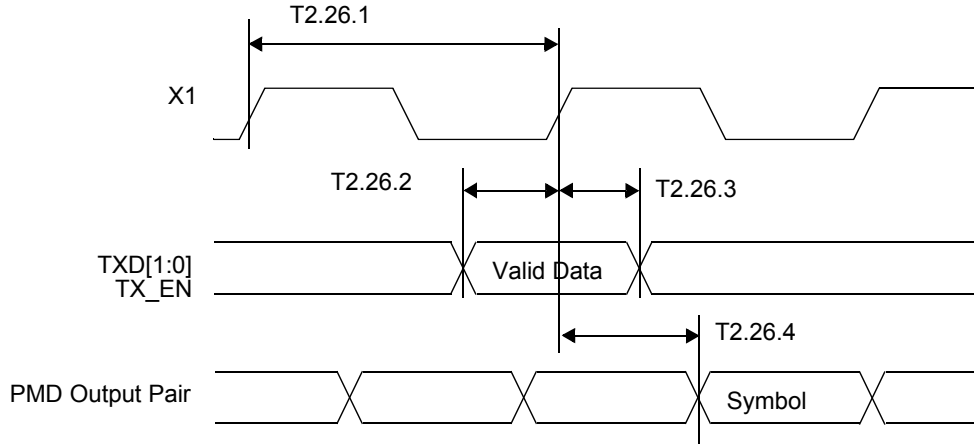
8.2.25 10 Mb/s Internal Loopback Timing



| Parameter | Description | Notes | Min | Typ | Max | Units |
|-----------|-------------------------|--------------------------------|-----|-----|-----|-------|
| T2.25.1 | TX_EN to RX_DV Loopback | 10 Mb/s internal loopback mode | | | 2 | μs |

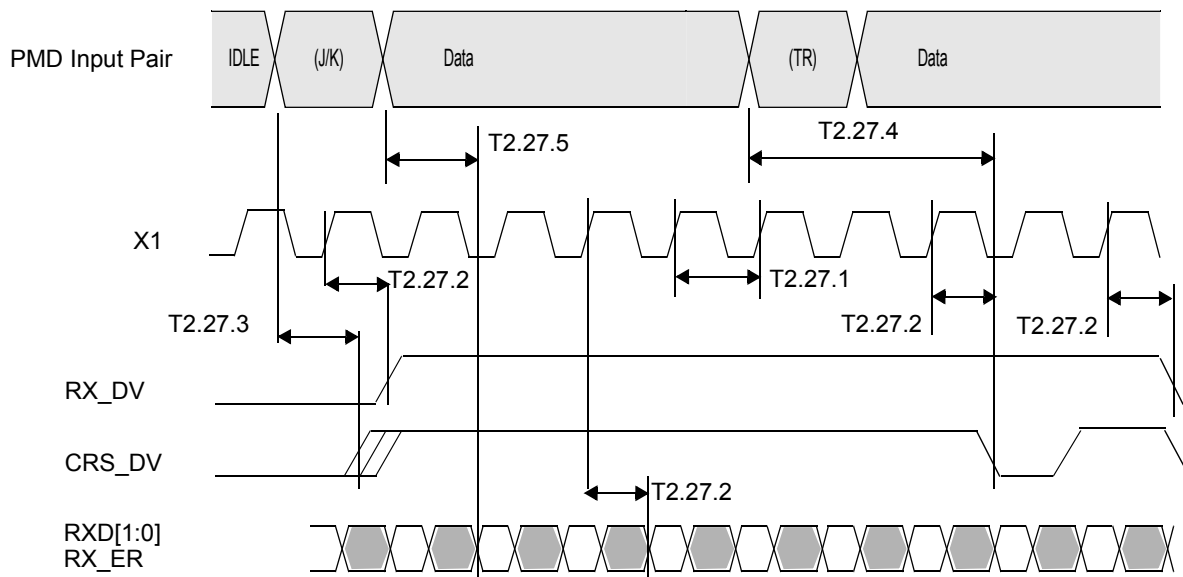
Note: Measurement is made from the first rising edge of TX_CLK after assertion of TX_EN.

8.2.26 RMIIT Transmit Timing



| Parameter | Description | Notes | Min | Typ | Max | Units |
|-----------|---|--------------------------|-----|-----|-----|-------|
| T2.26.1 | X1 Clock Period | 50 MHz Reference Clock | | 20 | | ns |
| T2.26.2 | TXD[1:0], TX_EN, Data Setup to X1 rising | | 4 | | | ns |
| T2.26.3 | TXD[1:0], TX_EN, Data Hold from X1 rising | | 2 | | | ns |
| T2.26.4 | X1 Clock to PMD Output Pair Latency (100Mb) | 100BASE-TX or 100BASE-FX | | 11 | | bits |

8.2.27 RMII Receive Timing



| Parameter | Description | Notes | Min | Typ | Max | Units |
|-----------|---|------------------------------------|-----|-----------|-----|-------|
| T2.27.1 | X1 Clock Period | 50 MHz Reference Clock | | 20 | | ns |
| T2.27.2 | RXD[1:0], CRS_DV, RX_DV and RX_ER output delay from X1 rising | | 2 | | 14 | ns |
| T2.27.3 | CRS ON delay (100Mb) | 100BASE-TX mode 100BASE-FX mode | | 18.5 9 | | bits |
| T2.27.4 | CRS OFF delay (100Mb) | 100BASE-TX mode 100BASE-FX mode | | 27 17 | | bits |
| T2.27.5 | RXD[1:0] and RX_ER latency (100Mb) | 100BASE-TX mode 100BASE-FX mode | | 38 27 | | bits |

Note: Per the RMII Specification, output delays assume a 25pF load.

Note: CRS_DV is asserted asynchronously in order to minimize latency of control signals through the Phy. CRS_DV may toggle synchronously at the end of the packet to indicate CRS deassertion.

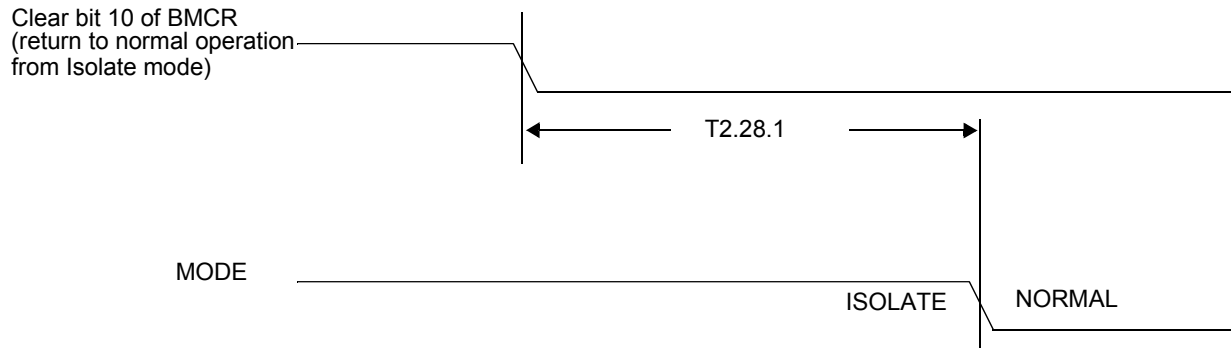
Note: RX_DV is synchronous to X1. While not part of the RMII specification, this signal is provided to simplify recovery of receive data.

Note: CRS_ON delay is measured from the first bit of the JK symbol on the PMD Receive Pair to initial assertion of CRS_DV.

Note: CRS_OFF delay is measured from the first bit of the TR symbol on the PMD Receive Pair to initial deassertion of CRS_DV.

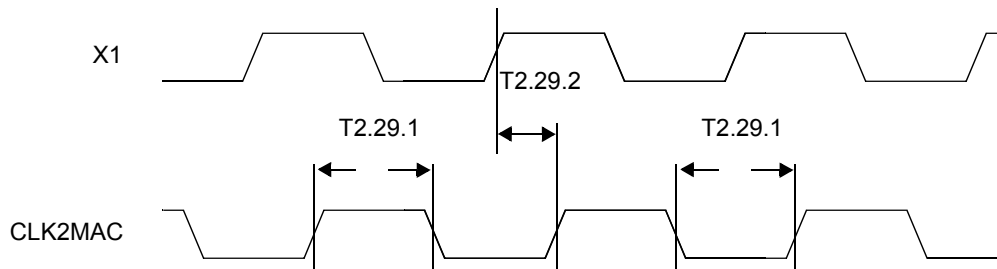
Note: Receive Latency is measured from the first bit of the symbol pair on the PMD Receive Pair. Typical values are with the Elasticity Buffer set to the default value (01).

8.2.28 Isolation Timing



| Parameter | Description | Notes | Min | Typ | Max | Units |
|-----------|--|-------|-----|-----|-----|-------|
| T2.28.1 | From software clear of bit 10 in the BMCR register to the transition from Isolate to Normal Mode | | | | 100 | μs |

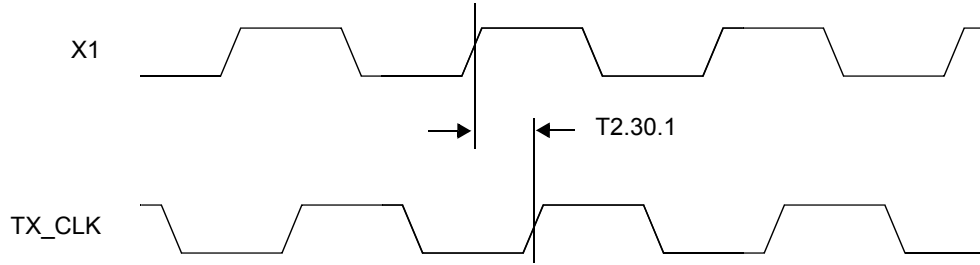
8.2.29 CLK2MAC Timing



| Parameter | Description | Notes | Min | Typ | Max | Units |
|-----------|---------------------------|----------------|-----|-----|-----|-------|
| T2.29.1 | CLK2MAC High/Low Time | MII mode | | 20 | | ns |
| | | RMII mode | | 10 | | ns |
| T2.29.2 | CLK2MAC propagation delay | Relative to X1 | | | 8 | ns |

Note: CLK2MAC characteristics are dependent upon the X1 input characteristics.

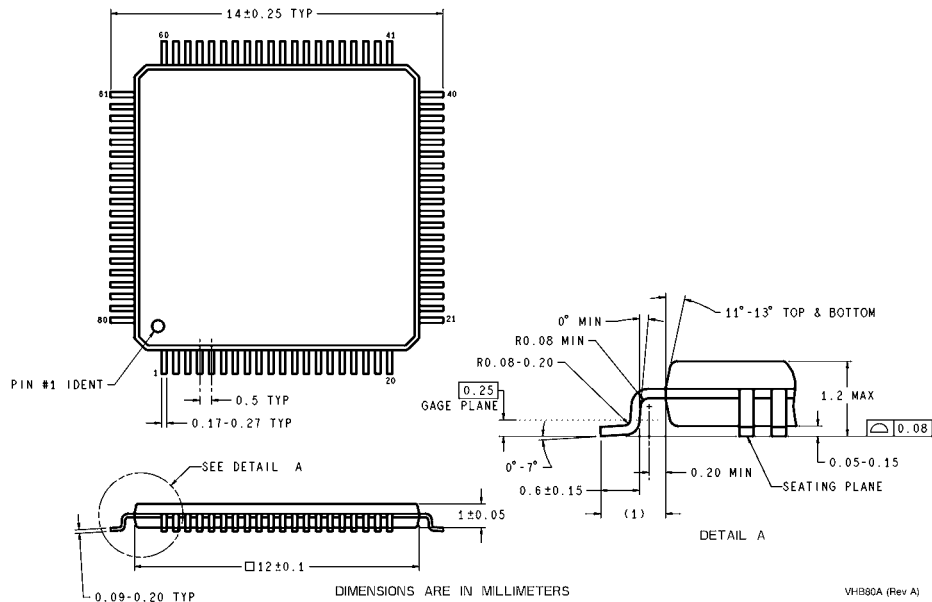
8.2.30 100 Mb/s X1 to TX_CLK Timing



| Parameter | Description | Notes | Min | Typ | Max | Units |
|-----------|--------------------|----------------------|-----|-----|-----|-------|
| T2.30.1 | X1 to TX_CLK delay | 100 Mb/s Normal mode | 0 | | 5 | ns |

Note: X1 to TX_CLK timing is provided to support devices that use X1 instead of TX_CLK as the reference for transmit MII data.

9.0 Physical Dimensions inches (millimeters) unless otherwise noted



Thin Quad Flat Package (TQFP)
NS Package Number VHB80A

THE CONTENTS OF THIS DOCUMENT ARE PROVIDED IN CONNECTION WITH NATIONAL SEMICONDUCTOR CORPORATION ("NATIONAL") PRODUCTS. NATIONAL MAKES NO REPRESENTATIONS OR WARRANTIES WITH RESPECT TO THE ACCURACY OR COMPLETENESS OF THE CONTENTS OF THIS PUBLICATION AND RESERVES THE RIGHT TO MAKE CHANGES TO SPECIFICATIONS AND PRODUCT DESCRIPTIONS AT ANY TIME WITHOUT NOTICE. NO LICENSE, WHETHER EXPRESS, IMPLIED, ARISING BY ESTOPPEL OR OTHERWISE, TO ANY INTELLECTUAL PROPERTY RIGHTS IS GRANTED BY THIS DOCUMENT.

TESTING AND OTHER QUALITY CONTROLS ARE USED TO THE EXTENT NATIONAL DEEMS NECESSARY TO SUPPORT NATIONAL'S PRODUCT WARRANT. EXCEPT WHERE MANDATED BY GOVERNMENT REQUIREMENTS, TESTING OF ALL PARAMETER OF EACH PRODUCT IS NOT NECESSARILY PERFORMED. NATIONAL ASSUMES NO LIABILITY FOR APPLICATIONS ASSISTANCE OR BUYER PRODUCT DESIGN. BUYERS ARE RESPONSIBLE FOR THEIR PRODUCTS AND APPLICATIONS USING NATIONAL COMPONENTS. PRIOR TO USING OR DISTRIBUTING ANY PRODUCTS THAT INCLUDE NATIONAL COMPONENTS, BUYERS SHOULD PROVIDE ADEQUATE DESIGN, TESTING AND OPERATING SAFEGUARDS.

EXCEPT AS PROVIDED IN NATIONAL'S TERMS AND CONDITIONS OF SALE FOR SUCH PRODUCTS, NATIONAL ASSUMES NO LIABILITY WHATSOEVER, AND NATIONAL DISCLAIMS ANY EXPRESS OR IMPLIED WARRANTY RELATING TO THE SALE AND/OR USE OF NATIONAL PRODUCTS INCLUDING LIABILITY OR WARRANTIES RELATING TO FITNESS FOR A PARTICULAR PURPOSE, MERCHANTABILITY, OR INFRINGEMENT OF ANY PATENT, COPYRIGHT OR OTHER INTELLECTUAL PROPERTY RIGHT.

LIFE SUPPORT POLICY

NATIONAL'S PRODUCTS ARE NOT AUTHORIZED FOR USE AS CRITICAL COMPONENTS IN LIFE SUPPORT DEVICES OR SYSTEMS WITHOUT THE EXPRESS WRITTEN APPROVAL OF THE CHIEF EXECUTIVE OFFICER AND GENERAL COUNSEL OF NATIONAL SEMICONDUCTOR CORPORATION. As used herein:

Life support devices or systems are devices which (a) are intended for surgical implant into the body, or (b) support or sustain life and whose failure to perform when properly used in accordance with instructions for use provided in the labeling can be reasonably expected to result in a significant injury to the user. A critical component is any component of a life support device or system whose failure to perform can be reasonably expected to cause the failure of the life support device or system or to affect its safety or effectiveness.

National Semiconductor and the National Semiconductor logo are registered trademarks of National Semiconductor Corporation. All other brand or product names may be trademarks or registered trademarks of their respective holders.

Copyright © 2008 National Semiconductor Corporation

For the most current product information visit us at www.national.com



National Semiconductor
Americas Technical
Support Center
Email:
new.feedback@nsc.com
Tel: 1-800-272-9959

National Semiconductor Europe
Technical Support Center
Email: europe.support@nsc.com
German Tel: +49 (0) 180 5010 771
English Tel: +44 (0) 870 850 4288

National Semiconductor Asia
Pacific Technical
Support Center
Email: ap.support@nsc.com

National Semiconductor Japan
Technical Support Center
Email: jpn.feedback@nsc.com

IMPORTANT NOTICE

Texas Instruments Incorporated and its subsidiaries (TI) reserve the right to make corrections, modifications, enhancements, improvements, and other changes to its products and services at any time and to discontinue any product or service without notice. Customers should obtain the latest relevant information before placing orders and should verify that such information is current and complete. All products are sold subject to TI's terms and conditions of sale supplied at the time of order acknowledgment.

TI warrants performance of its hardware products to the specifications applicable at the time of sale in accordance with TI's standard warranty. Testing and other quality control techniques are used to the extent TI deems necessary to support this warranty. Except where mandated by government requirements, testing of all parameters of each product is not necessarily performed.

TI assumes no liability for applications assistance or customer product design. Customers are responsible for their products and applications using TI components. To minimize the risks associated with customer products and applications, customers should provide adequate design and operating safeguards.

TI does not warrant or represent that any license, either express or implied, is granted under any TI patent right, copyright, mask work right, or other TI intellectual property right relating to any combination, machine, or process in which TI products or services are used. Information published by TI regarding third-party products or services does not constitute a license from TI to use such products or services or a warranty or endorsement thereof. Use of such information may require a license from a third party under the patents or other intellectual property of the third party, or a license from TI under the patents or other intellectual property of TI.

Reproduction of TI information in TI data books or data sheets is permissible only if reproduction is without alteration and is accompanied by all associated warranties, conditions, limitations, and notices. Reproduction of this information with alteration is an unfair and deceptive business practice. TI is not responsible or liable for such altered documentation. Information of third parties may be subject to additional restrictions.

Resale of TI products or services with statements different from or beyond the parameters stated by TI for that product or service voids all express and any implied warranties for the associated TI product or service and is an unfair and deceptive business practice. TI is not responsible or liable for any such statements.

TI products are not authorized for use in safety-critical applications (such as life support) where a failure of the TI product would reasonably be expected to cause severe personal injury or death, unless officers of the parties have executed an agreement specifically governing such use. Buyers represent that they have all necessary expertise in the safety and regulatory ramifications of their applications, and acknowledge and agree that they are solely responsible for all legal, regulatory and safety-related requirements concerning their products and any use of TI products in such safety-critical applications, notwithstanding any applications-related information or support that may be provided by TI. Further, Buyers must fully indemnify TI and its representatives against any damages arising out of the use of TI products in such safety-critical applications.

TI products are neither designed nor intended for use in military/aerospace applications or environments unless the TI products are specifically designated by TI as military-grade or "enhanced plastic." Only products designated by TI as military-grade meet military specifications. Buyers acknowledge and agree that any such use of TI products which TI has not designated as military-grade is solely at the Buyer's risk, and that they are solely responsible for compliance with all legal and regulatory requirements in connection with such use.

TI products are neither designed nor intended for use in automotive applications or environments unless the specific TI products are designated by TI as compliant with ISO/TS 16949 requirements. Buyers acknowledge and agree that, if they use any non-designated products in automotive applications, TI will not be responsible for any failure to meet such requirements.

Following are URLs where you can obtain information on other Texas Instruments products and application solutions:

Products

| | |
|------------------------|--|
| Audio | www.ti.com/audio |
| Amplifiers | amplifier.ti.com |
| Data Converters | dataconverter.ti.com |
| DLP® Products | www.dlp.com |
| DSP | dsp.ti.com |
| Clocks and Timers | www.ti.com/clocks |
| Interface | interface.ti.com |
| Logic | logic.ti.com |
| Power Mgmt | power.ti.com |
| Microcontrollers | microcontroller.ti.com |
| RFID | www.ti-rfid.com |
| OMAP Mobile Processors | www.ti.com/omap |
| Wireless Connectivity | www.ti.com/wirelessconnectivity |

Applications

| | |
|-------------------------------|--|
| Communications and Telecom | www.ti.com/communications |
| Computers and Peripherals | www.ti.com/computers |
| Consumer Electronics | www.ti.com/consumer-apps |
| Energy and Lighting | www.ti.com/energy |
| Industrial | www.ti.com/industrial |
| Medical | www.ti.com/medical |
| Security | www.ti.com/security |
| Space, Avionics and Defense | www.ti.com/space-avionics-defense |
| Transportation and Automotive | www.ti.com/automotive |
| Video and Imaging | www.ti.com/video |

TI E2E Community Home Page

e2e.ti.com

Mailing Address: Texas Instruments, Post Office Box 655303, Dallas, Texas 75265
Copyright © 2011, Texas Instruments Incorporated