



## Features

- 144-Mbit density (8M × 18, 4M × 36)
- Total Random Transaction Rate<sup>[1]</sup> of 2132 MT/s
- Maximum operating frequency of 1066 MHz
- Read latency of 8.0 clock cycles and write latency of 5.0 clock cycles
- Eight-bank architecture enables one access per bank per cycle
- Two-word burst on all accesses
- Dual independent bidirectional data ports
  - Double data rate (DDR) data ports
  - Supports concurrent read/write transactions on both ports
- Single address port used to control both data ports
  - DDR address signaling
- Single data rate (SDR) control signaling
- High-speed transceiver logic (HSTL) and stub series terminated logic (SSTL) compatible signaling (JESD8-16A compliant)
  - I/O V<sub>DDQ</sub> = 1.2 V ± 50 mV or 1.25 V ± 50 mV
- Pseudo open drain (POD) signaling (JESD8-24 compliant)
  - I/O V<sub>DDQ</sub> = 1.1 V ± 50 mV or 1.2 V ± 50 mV
- Core voltage
  - V<sub>DD</sub> = 1.3 V ± 40 mV
- On-die termination (ODT)
  - Programmable for clock, address/command, and data inputs
- Internal self-calibration of output impedance through ZQ pin
- Bus inversion to reduce switching noise and power
  - Programmable on/off for address and data
- Address bus parity error protection
- Training sequence for per-bit deskew
- On-chip error correction code (ECC) to reduce soft error rate (SER)
- JTAG 1149.1 test access port (JESD8-26 compliant)
  - 1.3-V LVCMOS signaling
- Available in 361-ball FCBGA Pb-free package (21 × 21 mm)

## Selection Guide

| Description                 |     | QDR-IV<br>2132 (MT/s) | QDR-IV<br>1866 (MT/s) | Unit |
|-----------------------------|-----|-----------------------|-----------------------|------|
| Maximum operating frequency |     | 1066                  | 933                   | MHz  |
| Maximum operating current   | ×18 | 4100                  | 3400                  | mA   |
|                             | ×36 | 4500                  | 4000                  |      |

### Note

1. Random Transaction Rate (RTR) is defined as the number of fully random memory accesses (reads or writes) that can be performed on the memory. RTR is measured in million transactions per second.

## Configurations

CY7C4122KV13 – 8M × 18

CY7C4142KV13 – 4M × 36

## Functional Description

The QDR™-IV XP (Xtreme Performance) SRAM is a high-performance memory device optimized to maximize the number of random transactions per second by the use of two independent bidirectional data ports.

These ports are equipped with DDR interfaces and designated as port A and port B respectively. Accesses to these two data ports are concurrent and independent of each other. Access to each port is through a common address bus running at DDR. The control signals are running at SDR and determine if a read or write should be performed.

There are three types of differential clocks:

- (CK, CK#) for address and command clocking
- (DKA, DKA#, DKB, DKB#) for data input clocking
- (QKA, QKA#, QKB, QKB#) for data output clocking

Addresses for port A are latched on the rising edge of the input clock (CK), and addresses for port B are latched on the falling edge of the input clock (CK).

This QDR-IV XP SRAM is internally partitioned into eight internal banks. Each bank can be accessed once for every clock cycle, enabling the SRAM to operate at high frequencies.

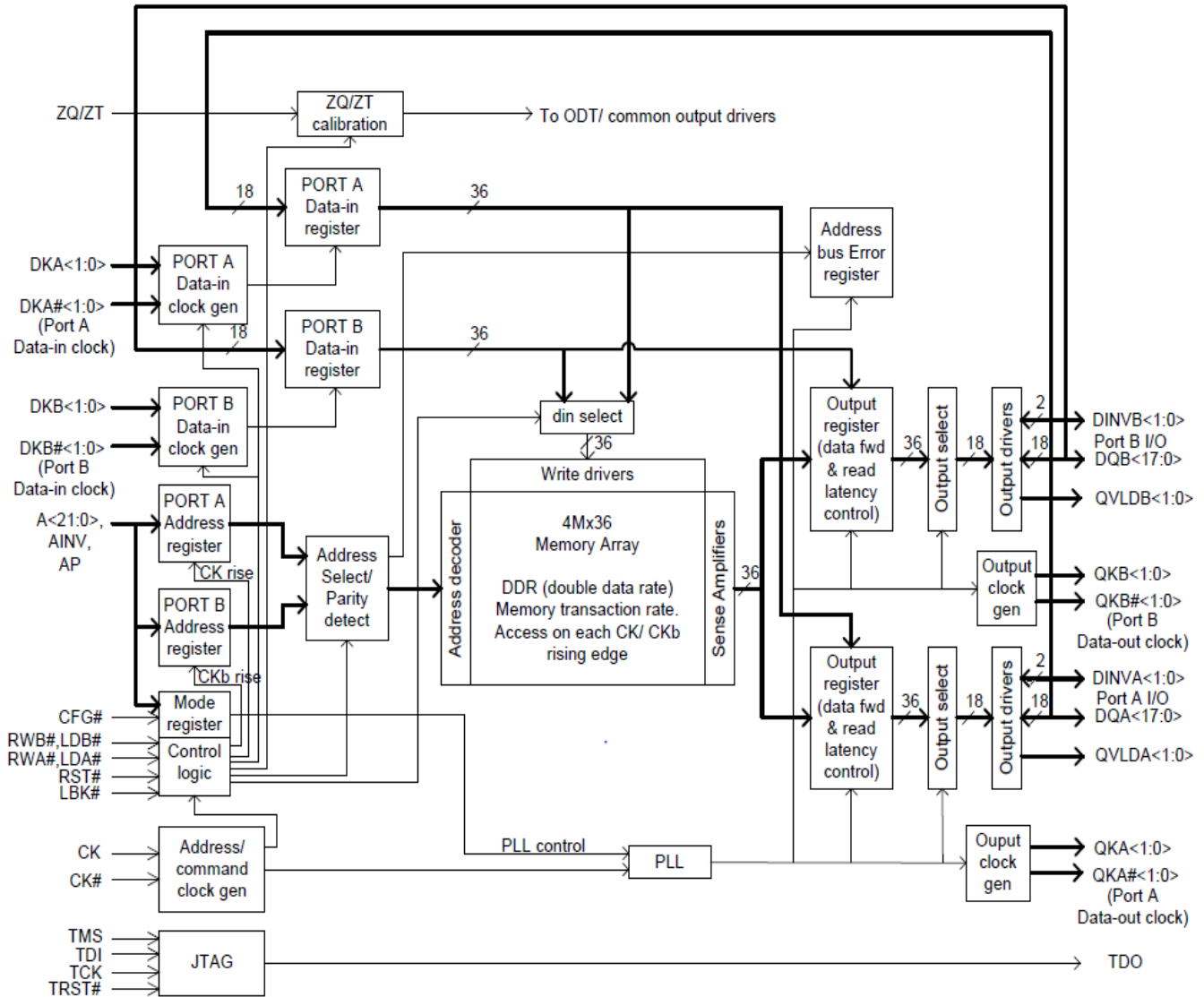
The QDR-IV XP SRAM device is offered in a two-word burst option and is available in × 18 and × 36 bus width configurations.

For an ×18 bus-width configuration, there are 22 address bits, and for an ×36 bus width configuration, there are 21 address bits respectively.

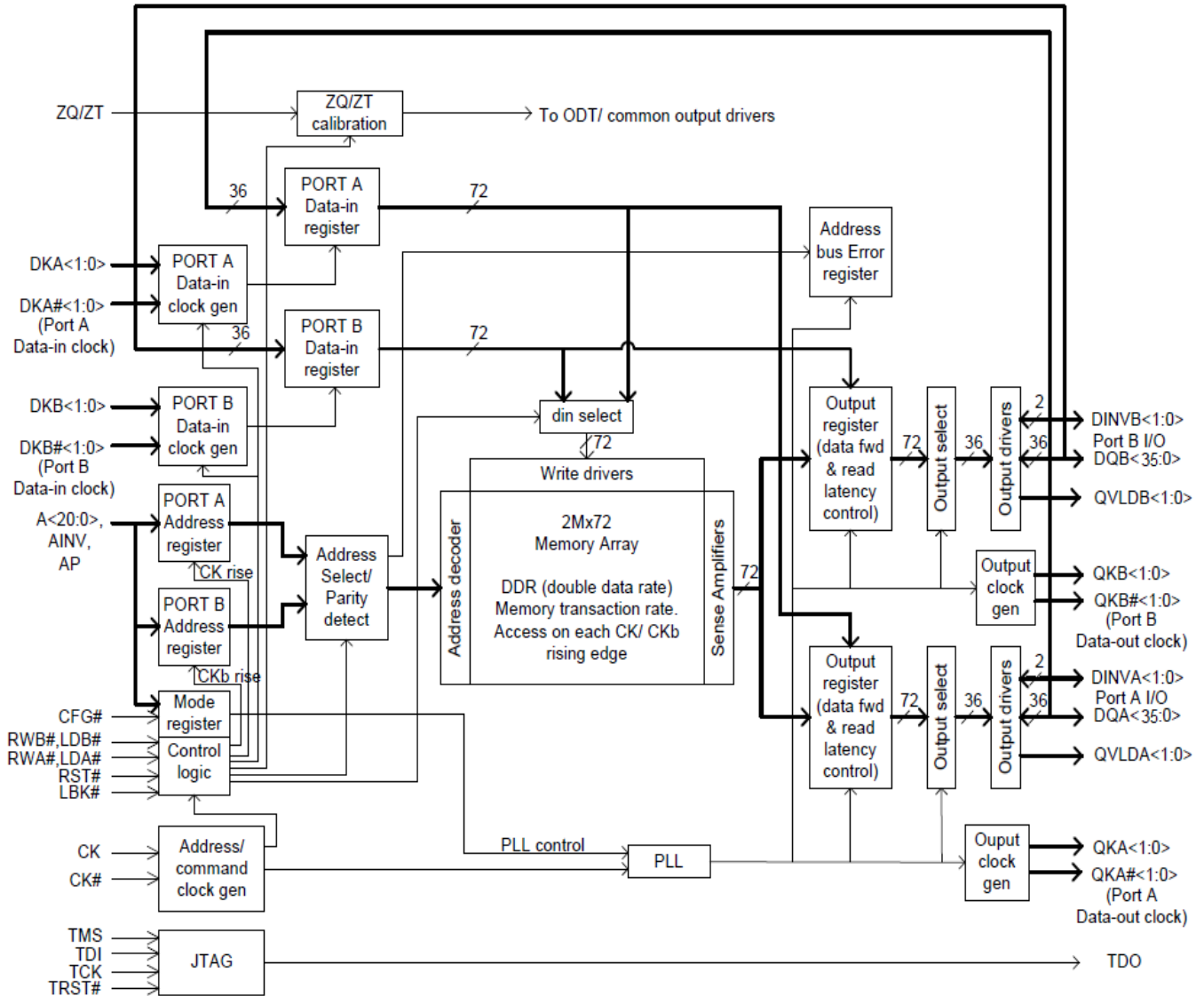
An on-chip ECC circuitry detects and corrects all single-bit memory errors including those induced by soft error events, such as cosmic rays and alpha particles. The resulting SER of these devices is expected to be less than 0.01 FITs/Mb, a four-order-of-magnitude improvement over previous generation SRAMs.

For a complete list of related resources, [click here](#).

Logic Block Diagram – CY7C4122KV13



Logic Block Diagram – CY7C4142KV13



## Contents

|                                                      |           |                                                      |           |
|------------------------------------------------------|-----------|------------------------------------------------------|-----------|
| <b>Pin Configurations</b> .....                      | <b>5</b>  | <b>TAP AC Switching Characteristics</b> .....        | <b>24</b> |
| <b>Pin Definitions</b> .....                         | <b>7</b>  | <b>TAP Timing Diagram</b> .....                      | <b>25</b> |
| <b>Functional Overview</b> .....                     | <b>9</b>  | <b>Identification Register Definitions</b> .....     | <b>26</b> |
| Clocking .....                                       | 9         | <b>Scan Register Sizes</b> .....                     | <b>26</b> |
| Command Cycles .....                                 | 9         | <b>Instruction Codes</b> .....                       | <b>26</b> |
| Read and Write Data Cycles .....                     | 9         | <b>Boundary Scan Order</b> .....                     | <b>27</b> |
| Banking Operation .....                              | 9         | <b>Maximum Ratings</b> .....                         | <b>30</b> |
| Address and Data Bus Inversion .....                 | 9         | <b>Operating Range</b> .....                         | <b>30</b> |
| Address Parity .....                                 | 10        | <b>Neutron Soft Error Immunity</b> .....             | <b>30</b> |
| Port Enable .....                                    | 10        | <b>Electrical Characteristics</b> .....              | <b>30</b> |
| On-Die Termination (ODT) Operation .....             | 10        | <b>Capacitance</b> .....                             | <b>32</b> |
| JTAG Operation .....                                 | 10        | <b>Thermal Resistance</b> .....                      | <b>32</b> |
| Power-Up and Reset .....                             | 10        | <b>AC Test Load and Waveform</b> .....               | <b>32</b> |
| Operation Modes .....                                | 11        | <b>Switching Characteristics</b> .....               | <b>33</b> |
| Deskew Training Sequence .....                       | 12        | <b>Switching Waveforms</b> .....                     | <b>35</b> |
| I/O Signaling Standards .....                        | 12        | <b>Ordering Information</b> .....                    | <b>42</b> |
| Initialization .....                                 | 13        | Ordering Code Definitions .....                      | 42        |
| Configuration Registers .....                        | 14        | <b>Package Diagram</b> .....                         | <b>43</b> |
| Configuration Registers Description .....            | 15        | <b>Acronyms</b> .....                                | <b>44</b> |
| Configuration Register Definitions .....             | 15        | <b>Document Conventions</b> .....                    | <b>44</b> |
| I/OType and Port Enable Bit Definitions .....        | 17        | Units of Measure .....                               | 44        |
| ODT Termination Bit Definitions .....                | 18        | <b>Document History Page</b> .....                   | <b>45</b> |
| Drive Strength Bit Definitions .....                 | 19        | <b>Sales, Solutions, and Legal Information</b> ..... | <b>46</b> |
| <b>IEEE 1149.1 Serial Boundary Scan (JTAG)</b> ..... | <b>20</b> | Worldwide Sales and Design Support .....             | 46        |
| Test Access Port .....                               | 20        | Products .....                                       | 46        |
| TAP Registers .....                                  | 20        | PSoC® Solutions .....                                | 46        |
| TAP Instruction Set .....                            | 20        | Cypress Developer Community .....                    | 46        |
| <b>TAP Controller State Diagram</b> .....            | <b>22</b> | Technical Support .....                              | 46        |
| <b>TAP Controller Block Diagram</b> .....            | <b>23</b> |                                                      |           |
| <b>TAP Electrical Characteristics</b> .....          | <b>24</b> |                                                      |           |

### Pin Configurations

Figure 1. 361-ball FCBGA Pinout

CY7C4122KV13 (8M × 18)

|   | 1    | 2     | 3       | 4     | 5     | 6     | 7     | 8       | 9        | 10    | 11        | 12      | 13     | 14     | 15     | 16     | 17      | 18   | 19   |
|---|------|-------|---------|-------|-------|-------|-------|---------|----------|-------|-----------|---------|--------|--------|--------|--------|---------|------|------|
| A | VSS  | VDDQ  | VSS     | DQA 5 | VDDQ  | DQA 7 | VSS   | DQA 8   | VSS      | LBK0# | VSS       | DQA 17  | VSS    | DQA 16 | VDDQ   | DQA 14 | VSS     | VDDQ | VSS  |
| B | VDD  | DNU   | VDDQ    | VSS   | DNU   | VDDQ  | DQA 1 | VDDQ    | VDD      | LBK1# | VDD       | VDDQ    | DQA 10 | VDDQ   | DNU    | VSS    | VDDQ    | DNU  | VDD  |
| C | VSS  | VDDQ  | QvId A0 | QKA0  | VSS   | DQA 2 | VDDQ  | DQA 0   | VSS      | VDDQ  | VSS       | DQA 9   | VDDQ   | DQA 11 | VSS    | QKA1   | QvId A1 | VDDQ | VSS  |
| D | VDD  | VSS   | QKA0#   | VDDQ  | DQA 3 | VSS   | DQA 4 | DINV A0 | VDD      | CFG#  | VDD       | DINV A1 | DQA 13 | VSS    | DQA 12 | VDDQ   | QKA1#   | VSS  | VDD  |
| E | VSS  | DNU   | VDDQ    | VREF  | VSS   | VDDQ  | VSS   | VDD     | VSS      | VDD   | VSS       | VDD     | VSS    | VDDQ   | VSS    | VREF   | VDDQ    | DNU  | VSS  |
| F | VDDQ | VSS   | DKA0#   | DKA0  | DQA 6 | VSS   | VDDQ  | A13     | VDD      | A0    | VDD       | A14     | VDDQ   | VSS    | DQA 15 | DKA1   | DKA1#   | VSS  | VDDQ |
| G | VSS  | DNU   | VSS     | DNU   | VDDQ  | VDD   | A3    | VSS     | A21 144M | A1    | A22 288M  | VSS     | A4     | VDD    | VDDQ   | DNU    | VSS     | DNU  | VSS  |
| H | VDD  | VSS   | DNU     | VSS   | DNU   | VSS   | VSS   | LDA#    | VDDQ     | RWA#  | VDDQ      | LDB#    | VSS    | VSS    | DNU    | VSS    | DNU     | VSS  | VDD  |
| J | VSS  | DNU   | VDDQ    | DNU   | VSS   | VDD   | A5    | VSS     | A19 36M  | CK    | A20 72M   | VSS     | A6     | VDD    | VSS    | DNU    | VDDQ    | DNU  | VSS  |
| K | TDI  | TRST# | TCK     | VSS   | VDD   | VSS   | VDD   | VREF    | VDDQ     | CK#   | VDDQ      | VREF    | VDD    | VSS    | VDD    | VSS    | TMS     | RST# | TDO  |
| L | VSS  | DNU   | VDDQ    | DNU   | VSS   | VDD   | A7    | VDD     | A17      | RWB#  | A18 18M   | VDD     | A8     | VDD    | VSS    | DNU    | VDDQ    | DNU  | VSS  |
| M | VDD  | VSS   | DNU     | VSS   | DNU   | VSS   | VSS   | A11     | VDDQ     | AINV  | VDDQ      | A12     | VSS    | VSS    | DNU    | VSS    | DNU     | VSS  | VDD  |
| N | VSS  | DNU   | VSS     | DNU   | VDDQ  | VDD   | A9    | VSS     | A23 576M | A2    | A24 1152M | VSS     | A10    | VDD    | VDDQ   | DNU    | VSS     | DNU  | VSS  |
| P | VDDQ | VSS   | DKB0#   | DKB0  | DQB 6 | VSS   | VDDQ  | A15     | VDD      | AP    | VDD       | A16     | VDDQ   | VSS    | DQB 15 | DKB1   | DKB1#   | VSS  | VDDQ |
| R | VSS  | DNU   | VDDQ    | VREF  | VSS   | VDDQ  | VSS   | VDD     | VSS      | VDD   | VSS       | VDD     | VSS    | VDDQ   | VSS    | VREF   | VDDQ    | DNU  | VSS  |
| T | VDD  | VSS   | QKB0#   | VDDQ  | DQB 3 | VSS   | DQB 4 | DINV B0 | VDD      | DNU   | VDD       | DINV B1 | DQB 13 | VSS    | DQB 12 | VDDQ   | QKB1#   | VSS  | VDD  |
| U | VSS  | VDDQ  | QvId B0 | QKB0  | VSS   | DQB 2 | VDDQ  | DQB 0   | VSS      | VDDQ  | VSS       | DQB 9   | VDDQ   | DQB 11 | VSS    | QKB1   | QvId B1 | VDDQ | VSS  |
| V | VDD  | DNU   | VDDQ    | VSS   | DNU   | VDDQ  | DQB 1 | VDDQ    | VDD      | PE#   | VDD       | VDDQ    | DQB 10 | VDDQ   | DNU    | VSS    | VDDQ    | DNU  | VDD  |
| W | VSS  | VDDQ  | VSS     | DQB 5 | VDDQ  | DQB 7 | VSS   | DQB 8   | VSS      | ZQ/ZT | VSS       | DQB 17  | VSS    | DQB 16 | VDDQ   | DQB 14 | VSS     | VDDQ | VSS  |

Pin Configurations (continued)

Figure 2. 361-ball FCBGA Pinout  
CY7C4142KV13 (4M × 36)

|   | 1    | 2      | 3       | 4      | 5      | 6     | 7     | 8       | 9         | 10    | 11        | 12      | 13     | 14     | 15     | 16     | 17      | 18     | 19   |
|---|------|--------|---------|--------|--------|-------|-------|---------|-----------|-------|-----------|---------|--------|--------|--------|--------|---------|--------|------|
| A | VSS  | VDDQ   | VSS     | DQA 5  | VDDQ   | DQA 7 | VSS   | DQA 8   | VSS       | LBK0# | VSS       | DQA 26  | VSS    | DQA 25 | VDDQ   | DQA 23 | VSS     | VDDQ   | VSS  |
| B | VDD  | DQA 13 | VDDQ    | VSS    | DQA 17 | VDDQ  | DQA 1 | VDDQ    | VDD       | LBK1# | VDD       | VDDQ    | DQA 19 | VDDQ   | DQA 35 | VSS    | VDDQ    | DQA 31 | VDD  |
| C | VSS  | VDDQ   | QvId A0 | QKA0   | VSS    | DQA 2 | VDDQ  | DQA 0   | VSS       | VDDQ  | VSS       | DQA 18  | VDDQ   | DQA 20 | VSS    | QKA1   | QvId A1 | VDDQ   | VSS  |
| D | VDD  | VSS    | QKA0#   | VDDQ   | DQA 3  | VSS   | DQA 4 | DINV A0 | VDD       | CFG#  | VDD       | DINV A1 | DQA 22 | VSS    | DQA 21 | VDDQ   | QKA1#   | VSS    | VDD  |
| E | VSS  | DQA 14 | VDDQ    | VREF   | VSS    | VDDQ  | VSS   | VDD     | VSS       | VDD   | VSS       | VDD     | VSS    | VDDQ   | VSS    | VREF   | VDDQ    | DQA 32 | VSS  |
| F | VDDQ | VSS    | DKA0#   | DKA0   | DQA 6  | VSS   | VDDQ  | A13     | VDD       | A0    | VDD       | A14     | VDDQ   | VSS    | DQA 24 | DKA1   | DKA1#   | VSS    | VDDQ |
| G | VSS  | DQA 15 | VSS     | DQA 16 | VDDQ   | VDD   | A3    | VSS     | A21 288M  | A1    | A22 576M  | VSS     | A4     | VDD    | VDDQ   | DQA 34 | VSS     | DQA 33 | VSS  |
| H | VDD  | VSS    | DQA 9   | VSS    | DQA 10 | VSS   | VSS   | LDA#    | VDDQ      | RWA#  | VDDQ      | LDB#    | VSS    | VSS    | DQA 28 | VSS    | DQA 27  | VSS    | VDD  |
| J | VSS  | DQA 11 | VDDQ    | DQA 12 | VSS    | VDD   | A5    | VSS     | A19 72M   | CK    | A20 144M  | VSS     | A6     | VDD    | VSS    | DQA 30 | VDDQ    | DQA 29 | VSS  |
| K | TDI  | TRST#  | TCK     | VSS    | VDD    | VSS   | VDD   | VREF    | VDDQ      | CK#   | VDDQ      | VREF    | VDD    | VSS    | VDD    | VSS    | TMS     | RST#   | TDO  |
| L | VSS  | DQB 11 | VDDQ    | DQB 12 | VSS    | VDD   | A7    | VDD     | A17       | RWB#  | A18 36M   | VDD     | A8     | VDD    | VSS    | DQB 30 | VDDQ    | DQB 29 | VSS  |
| M | VDD  | VSS    | DQB 9   | VSS    | DQB 10 | VSS   | VSS   | A11     | VDDQ      | AINV  | VDDQ      | A12     | VSS    | VSS    | DQB 28 | VSS    | DQB 27  | VSS    | VDD  |
| N | VSS  | DQB 15 | VSS     | DQB 16 | VDDQ   | VDD   | A9    | VSS     | A23 1152M | A2    | A24 2304M | VSS     | A10    | VDD    | VDDQ   | DQB 34 | VSS     | DQB 33 | VSS  |
| P | VDDQ | VSS    | DKB0#   | DKB0   | DQB 6  | VSS   | VDDQ  | A15     | VDD       | AP    | VDD       | A16     | VDDQ   | VSS    | DQB 24 | DKB1   | DKB1#   | VSS    | VDDQ |
| R | VSS  | DQB 14 | VDDQ    | VREF   | VSS    | VDDQ  | VSS   | VDD     | VSS       | VDD   | VSS       | VDD     | VSS    | VDDQ   | VSS    | VREF   | VDDQ    | DQB 32 | VSS  |
| T | VDD  | VSS    | QKB0#   | VDDQ   | DQB 3  | VSS   | DQB 4 | DINV B0 | VDD       | DNU   | VDD       | DINV B1 | DQB 22 | VSS    | DQB 21 | VDDQ   | QKB1#   | VSS    | VDD  |
| U | VSS  | VDDQ   | QvId B0 | QKB0   | VSS    | DQB 2 | VDDQ  | DQB 0   | VSS       | VDDQ  | VSS       | DQB 18  | VDDQ   | DQB 20 | VSS    | QKB1   | QvId B1 | VDDQ   | VSS  |
| V | VDD  | DQB 13 | VDDQ    | VSS    | DQB 17 | VDDQ  | DQB 1 | VDDQ    | VDD       | PE#   | VDD       | VDDQ    | DQB 19 | VDDQ   | DQB 35 | VSS    | VDDQ    | DQB 31 | VDD  |
| W | VSS  | VDDQ   | VSS     | DQB 5  | VDDQ   | DQB 7 | VSS   | DQB 8   | VSS       | ZQ/ZT | VSS       | DQB 26  | VSS    | DQB 25 | VDDQ   | DQB 23 | VSS     | VDDQ   | VSS  |

## Pin Definitions

| Pin Name                                          | I/Os         | Pin Description                                                                                                                                                                                                                                                                                                                                                                                                                                                                                                                                                                                                           |
|---------------------------------------------------|--------------|---------------------------------------------------------------------------------------------------------------------------------------------------------------------------------------------------------------------------------------------------------------------------------------------------------------------------------------------------------------------------------------------------------------------------------------------------------------------------------------------------------------------------------------------------------------------------------------------------------------------------|
| CK, CK#                                           | Input Clock  | <b>Address/Command Input Clock.</b> CK and CK# are differential clock inputs. All control and address input signals are sampled on both the rising and falling edges of CK. The rising edge of CK samples the control and address inputs for port A, while the falling edge of CK samples the control and address inputs for port B. CK# is 180 degrees out of phase with CK.                                                                                                                                                                                                                                             |
| A[x:0]                                            | Input        | <b>Address Inputs.</b> Sampled on the rising edge of both CK and CK# clocks during active read and write operations. These address inputs are used for read and write operations on both ports. The lower three address pins (A0, A1, and A2) select the bank that will be accessed. These address inputs are also known as bank address pins.<br>For (×36) data width - Address inputs A[20:0] are used and A[24:21] are reserved.<br>For (×18) data width - Address inputs A[21:0] are used and A[24:22] are reserved.<br>The reserved address inputs are No Connects and may be tied high, tied low, or left floating. |
| AP                                                | Input        | <b>Address Parity Input.</b> Used to provide even parity across the address pins.<br>For (×36) data width - AP covers address inputs A[20:0]<br>For (×18) data width - AP covers address inputs A[21:0]                                                                                                                                                                                                                                                                                                                                                                                                                   |
| PE#                                               | Output       | <b>Address Parity Error Flag.</b> Asserted LOW when address parity error is detected. Once asserted, PE# will remain LOW until cleared by a Configuration Register command.                                                                                                                                                                                                                                                                                                                                                                                                                                               |
| AINV                                              | Input        | <b>Address Inversion Pin for Address and Address Parity Inputs.</b><br>For (×36) data width - AINV covers address inputs A[20:0] and the address parity input (AP).<br>For (×18) data width - AINV covers address inputs A[21:0] and the address parity input (AP).                                                                                                                                                                                                                                                                                                                                                       |
| DKA[1:0],<br>DKA#[1:0],<br>DKB[1:0],<br>DKB#[1:0] | Input        | <b>Data Input Clock.</b><br>DKA[0] / DKA#[0] controls the DQA[17:0] inputs for ×36 configuration and DQA[8:0] inputs for ×18 configuration respectively<br>DKA[1] / DKA#[1] controls the DQA[35:18] inputs for ×36 configuration and DQA[17:9] inputs for ×18 configuration respectively<br>DKB[0] / DKB#[0] controls the DQB[17:0] inputs for ×36 configuration and DQB[8:0] inputs for ×18 configuration respectively<br>DKB[1] / DKB#[1] controls the DQB[35:18] inputs for ×36 configuration and DQB[17:9] inputs for ×18 configuration respectively                                                                  |
| QKA[1:0],<br>QKA#[1:0],<br>QKB[1:0],<br>QKB#[1:0] | Output       | <b>Data Output Clock.</b><br>QKA[0] / QKA#[0] controls the DQA[17:0] outputs for × 36 configuration and DQA[8:0] outputs for ×18 configuration respectively<br>QKA[1] / QKA#[1] controls the DQA[35:18] outputs for × 36 configuration and DQA[17:9] outputs for ×18 configuration respectively<br>QKB[0] / QKB#[0] controls the DQB[17:0] outputs for × 36 configuration and DQB[8:0] outputs for ×18 configuration respectively<br>QKB[1] / QKB#[1] controls the DQB[35:18] outputs for × 36 configuration and DQB[17:9] outputs for ×18 configuration respectively                                                     |
| DQA[x:0],<br>DQB[x:0]                             | Input/Output | <b>Data Input/Output.</b> Bidirectional data bus.<br>For (×36) data width – DQA <sub>[35:0]</sub> ; DQB <sub>[35:0]</sub><br>For (×18) data width – DQA <sub>[17:0]</sub> ; DQB <sub>[17:0]</sub>                                                                                                                                                                                                                                                                                                                                                                                                                         |
| DINVA[1:0],<br>DINVB[1:0]                         | Input/Output | <b>Data Inversion Pin for DQ Data Bus.</b><br>DINVA[0] covers DQA[17:0] for ×36 configuration and DQA[8:0] for ×18 configuration respectively<br>DINVA[1] covers DQA[35:18] for ×36 configuration and DQA[17:9] for ×18 configuration respectively<br>DINVB[0] covers DQB[17:0] for ×36 configuration and DQB[8:0] for ×18 configuration respectively<br>DINVB[1] covers DQB[35:18] for ×36 configuration and DQB[17:9] for ×18 configuration respectively                                                                                                                                                                |
| LDA#, LDB#                                        | Input        | <b>Synchronous Load Input.</b> LDA# is sampled on the rising edge of the CK clock, while LDB# is sampled on the falling edge of CK clock. LDA# enables commands for data port A and LDB# enables commands for data port B. LDx# enables the commands when LDx# is LOW and disables the commands when LDx# is HIGH. When the command is disabled, new commands are ignored, but internal operations continue.                                                                                                                                                                                                              |



**Pin Definitions** (continued)

| Pin Name                  | I/Os      | Pin Description                                                                                                                                                                                                                                                                                                                                                    |
|---------------------------|-----------|--------------------------------------------------------------------------------------------------------------------------------------------------------------------------------------------------------------------------------------------------------------------------------------------------------------------------------------------------------------------|
| RWA#,<br>RWB#             | Input     | <b>Synchronous Read/Write Input.</b> RWA# input is sampled on the rising edge of the CK clock, while RWB# is sampled on the falling edge of the CK clock. The RWA# input is used in conjunction with the LDA# input to select a Read or Write Operation. Similarly, the RWB# input is used in conjunction with the LDB# input to select a read or write operation. |
| QVLDA[1:0],<br>QVLDB[1:0] | Output    | <b>Output Data Valid Indicator.</b> The QVLD pin indicates valid output data. QVLD is edge-aligned with QKx and QKx#.                                                                                                                                                                                                                                              |
| ZQ/ZT                     | Input     | <b>Output Impedance Matching Input.</b> This input is used to tune the device outputs to the system data bus impedance.                                                                                                                                                                                                                                            |
| CFG#                      | Input     | <b>Configuration bit.</b> This pin is used to configure different mode registers.                                                                                                                                                                                                                                                                                  |
| RST#                      | Input     | <b>Active Low Asynchronous RST.</b> This pin is active when RST# is LOW and inactive when RST# is HIGH. The RST# pin has an internal pull-down resistor.                                                                                                                                                                                                           |
| LBK0#,<br>LBK1#           | Input     | <b>Loopback mode for control and address/command/clock deskewing.</b>                                                                                                                                                                                                                                                                                              |
| TMS                       | Input     | <b>Test Mode Select Input pin for JTAG.</b> This pin may be left unconnected if the JTAG function is not used in the circuit.                                                                                                                                                                                                                                      |
| TDI                       | Input     | <b>Test Data Input pin for JTAG.</b> This pin may be left unconnected if the JTAG function is not used in the circuit.                                                                                                                                                                                                                                             |
| TCK                       | Input     | <b>Test Clock Input pin for JTAG.</b> This pin must be tied to VSS if the JTAG function is not used in the circuit.                                                                                                                                                                                                                                                |
| TDO                       | Output    | <b>Test Data Output pin for JTAG.</b> This pin may be left unconnected if the JTAG function is not used in the circuit.                                                                                                                                                                                                                                            |
| TRST#                     | Input     | <b>Test Reset Input pin for JTAG.</b> This pin must be tied to VDD if the JTAG function is not used in the system. TRST# input is applicable only in JTAG mode.                                                                                                                                                                                                    |
| DNU                       | N/A       | <b>Do Not Use.</b> Do not use pins.                                                                                                                                                                                                                                                                                                                                |
| VREF                      | Reference | <b>Reference Voltage Input.</b> Static input used to set the reference level for inputs, outputs, and AC measurement points.                                                                                                                                                                                                                                       |
| VDD                       | Power     | <b>Power Supply Inputs to the Core of the Device.</b>                                                                                                                                                                                                                                                                                                              |
| VDDQ                      | Power     | <b>Power Supply Inputs for the Outputs of the Device.</b>                                                                                                                                                                                                                                                                                                          |
| VSS                       | Ground    | <b>Ground for the Device.</b>                                                                                                                                                                                                                                                                                                                                      |



## Functional Overview

The QDR-IV XP SRAM is a two-word burst synchronous SRAM equipped with dual independent bidirectional data ports. The following sections describe the device operation.

### Clocking

There are three groups of clock signals: CK/CK#, DKx/DKx#, and QKx/QKx#, where x can be A or B, referring to the respective ports.

The CK/CK# clock is associated with the address and control pins: A[24:0], LDA#, LDB#, RWA#, RWB#. The CK/CK# transitions are centered with respect to the address and control signal transitions.

The DKx/DKx# clocks are associated with write data. The DKx/DKx# clocks are used as source-centered clocks for the DDR DQx and DINVx pins, when acting as inputs for the write data.

The QKx/QKx# clocks are associated with read data. The QKx/QKx# clocks are used as source-synchronous clocks for the double data rate DQx and DINVx pins, when acting as outputs for the read data.

### Command Cycles

The QDR-IV XP SRAM read and write commands are driven by the control inputs (LDA#, LDB#, RWA#, and RWB#) and the Address Bus.

The port A control inputs (LDA# and RWA#) are sampled at the **rising** edge of the input clock. The port B control inputs (LDB# and RWB#) are sampled at the **falling** edge of the input clock.

*For port A:*

When LDA# = 0 and RWA# = 1, a read operation is initiated.

When LDA# = 0 and RWA# = 0, a write operation is initiated.

The address is sampled on the **rising** edge of the input clock.

*For port B:*

When LDB# = 0 and RWB# = 1, a read operation is initiated.

When LDB# = 0 and RWB# = 0, a write operation is initiated.

The address is sampled on the **falling** edge of the input clock.

### Read and Write Data Cycles

Read data is supplied to the DQA pins exactly eight clock cycles from the **rising** edge of the CK signal corresponding to the cycle where the read command was initiated. QVLDA is asserted one-half clock cycle prior to the first data word driven on the bus. It is deasserted one-half cycle prior to the last data word driven on the bus. Data outputs are tristated in the clock following the last data word.

Read data is supplied to the DQB pins exactly eight clock cycles from the **falling** edge of the CK signal corresponding to the cycle that the read command was initiated. QVLDB is asserted one-half clock cycle prior to the first data word driven on the bus. It is deasserted one-half cycle prior to the last data word driven on the bus. Data outputs are tristated in the clock following the last data word.

Write data is supplied to the DQA pins exactly five clock cycles from the **rising** edge of the CK signal corresponding to the cycle that the write command was initiated.

Write data is supplied to the DQB pins exactly five clock cycles from the **falling** edge of the CK signal corresponding to the cycle that the write command was initiated.

### Banking Operation

The QDR-IV XP SRAM is designed with eight internal banks. The lower three address pins (A0, A1, and A2) select the bank that will be accessed. These address inputs are also known as bank address pins.

#### Bank Access Rules

1. On the **rising** edge of the input clock, **any bank address** may be accessed. This is the address associated with port A.
2. On the **falling** edge of the input clock, **any other bank address** may be accessed. This is the address associated with port B.
3. If port A did **not** issue a command on the **rising** edge of the input clock, then port B may access **any bank address** on the **falling** edge of the input clock.
4. From the **rising edge** of the input clock cycle to the **next rising edge** of the input clock, there is **no address restriction**. Port A may access any bank at any time.

To clarify, the banking restriction only applies in a single clock cycle. Since the port A address is sampled on the rising edge of the input clock, there are no restrictions with port A access. Because the port B address is sampled on the falling edge of the input clock, port B has the restriction that it must use a different bank than port A.

#### Banking Violations

1. Accesses for port A cannot cause a banking violation, only accesses to port B can.
2. If port B tries to access the same bank as port A, then the **port B access** to the memory array is **ignored**. The port A access will still occur normally.
3. If the requested cycle on port B was a write, then there will be no external indication that a banking violation occurred.
4. If the requested cycle on port B was a read, then there will be no QVLDB signal generated. Outputs will remain tristated.

### Address and Data Bus Inversion

To reduce simultaneous switching noise and I/O current, QDR-IV XP SRAM provides the ability to invert all address and data pins.

The AINV pin indicates whether the address bus, A[24:0], and the address parity bit, AP, is inverted. The address bus and parity bit are considered one group. The function of the AINV is controlled by the memory controller. However, the following rules should be used in the system design:

- For a ×36 configuration part, 21 address pins plus 1 parity bit are used for 22 signals in the address group. If the number of 0's in the address group is  $\geq 11$ , AINV is set to 1 by the controller. As a result, no more than 11 pins may switch in the same direction during each bit time.

- For a ×18 data width part, 22 address pins plus 1 parity bit are used for 23 signals in the address group. If the number of 0s in the address group is  $\geq 12$ , AINV is set to 1 by the controller. As a result, no more than 12 pins may switch in the same direction during each bit time.

The DINVA and DINVB pins indicate whether the corresponding DQA and DQB pins are inverted.

- For a ×36 data width part, the data bus for each port is split into groups of 18 pins. Each 18-pin data group is guaranteed to be driving less than or equal to 10 pins low on any given cycle. If the number of 0s in the data group is  $\geq 10$ , DINV is set to 1. As a result, no more than 10 pins may switch in the same direction during each bit time.
- For a ×18 data width part, the data bus for each port is split into groups of 9 pins. Each 9-pin data group is guaranteed to be driving less than or equal to five pins low on any given cycle. If the number of 0s in the data group is  $\geq 5$ , DINV is set to 1. As a result, no more than five pins may switch in the same direction during each bit time.

AINV, DINVA[1:0], DINVB[1:0] are all active high. When set to 1, the corresponding bus is inverted. If the data inversion feature is programmed to be OFF, then the DINVA/DINVB output bits will always be driven to 0.

These functions are programmable through the configuration registers and can be enabled or disabled for the address bus and the data bus independently.

During configuration register read and write cycles, the address inversion input is ignored and the data inversion output is always driven to 0 when the register read data is driven on the data bus. Specifically, the register read data is driven on DQA[7:0] and the DINVA[0] bit is driven to 0. All other DQA/DQB data bits and DINVA/DINVB bits are tristated. In addition, the address parity input (AP) is ignored.

### Address Parity

The QDR-IV XP SRAM provides an address parity feature to provide integrity on the address bus. Two pins are provided to support this function: AP and PE#.

The AP pin is used to provide an even parity across the address pins. The value of AP is set so that the total number of 1s (including the AP bit) is even. The AP pin is a DDR input.

Internally, when an address parity error is detected, the access to the memory array is ignored if it was a write cycle. A read access continues normally even if an address parity error is detected.

Externally, the PE# pin is used to indicate that an address parity error has occurred. This pin is Active Low and is set to 0 within RL cycles after the address parity error is detected. It remains asserted until the error is cleared through the configuration registers.

The address parity function is optional and can be enabled or disabled in the configuration registers.

During configuration register read and write cycles, the address parity input is ignored. Parity is not checked during these cycles.

**Note** The memory controller should generate address parity based on the address bus first. Address inversion is done later on the address bus and address parity bit.

### Port Enable

The QDR-IV XP SRAM has two independent bidirectional data ports. However, some system designers may either choose to use only one port, or use one port as read-only and one port as write-only.

If a port is used in a unidirectional mode, disable the data clocks (DKx/DKx# or QKx/QKx#) to reduce EMI effects in the system. In addition, disable the corresponding control input (RWx#).

Port B may be programmed to be entirely disabled. If port B is not used, then the following must happen:

- The data clocks (DKB/DKB# and QKB/QKB#) and the control inputs (LDB# and RWB#) must be disabled.
- All data bus signals must be tri-stated. This includes DQB, DINVB, and QVLDB.
- All input signals related to port B can be left floating or tied to either 1 or 0 without any adverse effects on the port A operation.
- When port B is not used, all output signals related to port B are inactive.

A configuration register option is provided to specify if one of the ports is not used or is operating in a unidirectional mode.

### On-Die Termination (ODT) Operation

When enabled, the ODT circuits for the chip will be enabled during all NOP and write cycles. The ODT is temporarily disabled only during read cycles because the read data is driven out.

Specifically, ODT is disabled one-half clock cycle before the first beat of the read data is driven on the data bus and remains disabled during the entire read operation. ODT is enabled again one-half clock cycle after the last beat of read data is driven on the data bus.

### JTAG Operation

The JTAG interface uses five signals: TRST#, TCK, TMS, TDI, and TDO. For normal JTAG operation, the use of TRST# is **not** optional for this device.

While in the JTAG mode, the following conditions are true:

- ODT for all pins is disabled.

If the JTAG function is not used in the system, then the TRST# pin must be tied to VDD and the TCK input must be driven low or tied to VSS. TMS, TDI, and TDO may be left floating.

### Power-Up and Reset

The QDR-IV XP SRAM has specific power-up and reset requirements to guarantee reliable operation.

#### Power-Up Sequence

- Apply  $V_{DD}$  before  $V_{DDQ}$ .
- Apply  $V_{DDQ}$  before  $V_{REF}$  or at the same time as  $V_{REF}$ .

### Reset Sequence

Refer to the Reset timing diagram (Figure 16 on page 41).

1. As the power comes up, all inputs may be in an undefined state, except RST# and TRST#, which must be LOW during  $t_{PWR}$ .
2. The first signal that should be driven to the device is the input clock (CK/CK#), which may be unstable for the duration of  $t_{PWR}$ .
3. After the input clock has stabilized, all the control inputs should be driven to a valid value as follows:
  - a. RST# = 0
  - b. CFG# = 1
  - c. LBK0# = 1
  - d. LBK1# = 1
  - e. LDA# = 1
  - f. LDB# = 1
4. Reset should remain asserted, while all other control inputs deasserted, for a minimum time of 200  $\mu$ s ( $t_{RSS}$ ).
5. At the rising edge of reset, the address bits A[13:0] are sampled to load in the ODT values and Port Enable values. After reset, internal operations in the device may start. This may include operations, such as PLL initialization and resetting internal registers.
6. However, all external control signals must remain deasserted for a minimum time of 400000 clocks ( $t_{RSH}$ ). During this time all other signals (data and address busses) should be driven to a valid level. All inputs to the device should be driven to a valid level.
7. After this, the device is in normal operating mode and ready to respond to control inputs.

Typically, after a reset sequence, the system starts to perform a training sequence involving the steps outlined in the following section.

However, RST# may be asserted at any time by the system and the system may wish to initiate normal read/write operations after a reset sequence, without going through another training sequence. The chip should be able to accept normal read/write operations immediately following  $t_{RSH}$  after the deassertion of RST#.

### PLL Reset Operation

The configuration registers contain a bit to reset the PLL. Operating the QDR-IV XP SRAM device without the PLL enabled is not supported—timing characteristics are not guaranteed when the PLL is disabled. However, this bit is intended to allow the system to reset the PLL locking circuitry.

Resetting the PLL is accomplished by first programming the PLL Reset bit to 1 to disable the PLL, and then programming the bit to 0 to enable the PLL. After these steps, the PLL will relock to the input clock. A wait time of  $t_{PLL}$  is required.

### Operation Modes

The QDR-IV XP SRAM has three unique modes of operation:

1. Configuration
2. Loopback
3. Memory Access

These modes are defined by the level of the control signals CFG#, LBK0#, LBK1#, LDA#, LDB#.

It is intended that these operations are mutually exclusive. In other words, one operation mode cannot be performed simultaneously with another operation mode.

There is no priority given for inadvertently asserting the control signals at the wrong time. The internal chip behavior is not defined for improper control signal assertion. The system must strictly adhere to proper mode transitions, as defined in the following sections, for proper device operation.

#### Configuration

A Configuration operation mode is entered when the CFG# signal is asserted. Memory Access or Loopback operations should not be performed for a minimum of 32 clocks prior to entering this mode.

While in this mode, the control signals LDB#, LBK0#, and LBK1# must not be asserted. However, LDA# is used to perform the actual Register Read and Write operations.

Memory Access or Loopback operations should not be performed for a minimum of 32 clocks after exiting this mode.

#### Loopback

A Loopback operation mode is entered when the LBK0# and/or LBK1# signals are asserted. Memory Access or Configuration operations should not be performed for a minimum of 32 clocks prior to entering this mode.

Just after entering this mode, an additional 32 clocks are required before the part is ready to accept toggling valid inputs for training.

While in this mode, LDA# and LDB# may be toggled for training.

Memory Access or Configuration operations should not be performed for a minimum of 32 clocks after exiting this mode.

Data inversion is not used during the Loopback mode. Even if the configuration register has this feature enabled, it is temporarily ignored during the Loopback mode.

#### Memory Access

If the control signals CFG#, LBK0#, and LBK1# are not asserted, then the device is in the Memory Access mode. This mode is the normal operating mode of the device.

While in this mode, a memory access cycle is performed when the LDA# and/or LDB# signals are asserted. The control signals CFG#, LBK0#, and LBK1# must not be asserted when performing a memory access cycle.

A memory access should not be performed for a minimum of 32 clocks prior to leaving this mode.

## Deskew Training Sequence

The QDR-IV XP SRAM provides support that allows a memory controller to deskew signals for a high-speed operation. The memory controller provides the deskew function if deskew is desired. During the deskew operation, the QDR-IV XP SRAM operates in the Loopback mode.

Refer to the Loopback Timing Diagram (Figure 15 on page 40).

Deskew is achieved in three steps:

1. Control/address deskew
2. Read data deskew
3. Write data deskew

### Control/Address Deskew

Assert LBK0# to 0 and/or LBK1# to 0.

The following 39 signals are looped back:

- DKA0, DKA0#, DKA1, DKA1#
- DKB0, DKB0#, DKB1, DKB1#
- LDA#, RWA#, LDB#, RWB#
- A[24:0], AINV, AP

The clock inputs DKA0, DKA0#, DKA1#, DKB0, DKB0#, DKB1, and DKB1# are free-running clock inputs and should be continuously running during the training sequence. In addition, a wait time of t<sub>PLL</sub> is needed.

Refer to Table 1 on page 14 for the loopback signal mapping.

For each pin that is looped back, the input pin is sampled on both the rising and falling edges using the input clock (CK/CK#).

The value output on the rising edge of the output clock (QKA/QKA#) will be the value that was sampled on the rising edge of the input clock.

The value output on the falling edge of the output clock (QKA/QKA#) will be the **inverted** value that was sampled on the falling edge of the input clock.

The delay from the input pins to the DQA outputs is t<sub>LBL</sub>, which is 16 clocks.

### Read Data Deskew

At this time, the address, control, and data input clocks are already deskewed.

Read data deskew requires a training pattern to be written into the memory using data held at constant values.

Complex data patterns, such as the following, may be written into the memory using the non-deskewed DQA and/or DQB signals and the write training enable bit.

Write training enable set to 1:

During Write Data Cycles:

The First Data Beat (First Data Burst) is sampled from the data bus.

The Second Data Beat (Second Data Burst) is the **inverted** sample from the same data bus.

Write training enable set to 0:

During Write Data Cycles:

Both First and Second Data Beats are sampled from the data bus, which is the normal operation.

The Write Training Enable bit has no effect on the read data cycles.

After the data pattern is written into the memory, standard read commands permit the system to deskew with respect to the QK/QK# data output clocks the following signals:

DQA, DINVA, QVLDA, DQB, DINVB, QVLDB

### Write Data Deskew

Write data deskew is performed using write commands to the memory followed by read commands.

The deskewed read data path is used to determine whether or not the write data was received correctly by the device.

This permits the system to deskew with respect to the DK/DK# input data clocks the following signals:

DQA, DINVA, DQB, DINVB

## I/O Signaling Standards

Several I/O signaling standards are supported by the QDR-IV, which are programmable by the user. They are:

- 1.2 V and 1.25 V HSTL/SSTL
- 1.1 V and 1.2 V POD

The I/O Signaling Standard is programmed on the rising edge of reset by sampling the address bus inputs. Once programmed, the value cannot be changed. Only the rising edge of another reset can change the value.

All address, control, and data I/O signals — with the exception of six pins (listed as LVCMOS in the [LVCMOS Signaling](#) section) — will program to comply with HSTL/SSTL or POD.

### HSTL/SSTL Signaling

HSTL/SSTL is supported at the V<sub>DDQ</sub> voltages of 1.2 V and 1.25 V nominal.

The ODT termination values can be set to:

- 40, 60, or 120 ohms with a 220-ohm reference resistor
- 50 or 100 ohms with a 180-ohm reference resistor.

The drive strength can be programmed to:

- 40 or 60 ohms with a 220-ohm reference resistor
- 50 ohms with a 180-ohm reference resistor

A reference resistor of 180 ohms or 220 ohms is supported with HSTL/SSTL signaling.

### POD Signaling

POD is supported at V<sub>DDQ</sub> voltages of 1.1 V and 1.2 V nominal.

The ODT termination values can be set to:

- 50 or 100 ohms with a 180-ohm reference resistor
- 60 or 120 ohms with a 220-ohm reference resistor

The drive strength can be programmed to:

- 50 ohms with a 180-ohm reference resistor
- 40 or 60 ohms with a 220-ohm reference resistor

A reference resistor of 180 ohms or 220 ohms is supported with POD signaling.

**LVC MOS Signaling**

Six I/O signals are permanently set to use LVC MOS signaling at a voltage of 1.3-V nominal. These signals are referenced to the core voltage supply,  $V_{DD}$ . They are:

RST#, TRST#, TCK, TMS, TDI, and TDO

All the five JTAG signals as well as the main reset input are 1.3-V LVC MOS.

In addition, ODT is disabled at all times on these LVC MOS signals.

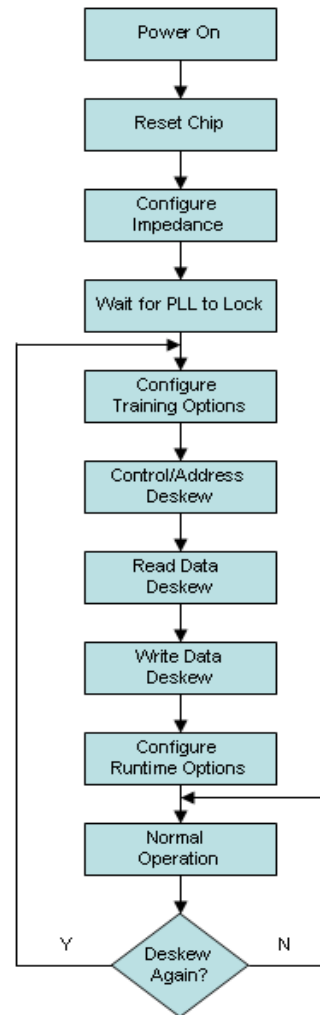
**Initialization**

The QDR-IV XP SRAM must be initialized before it can operate in the normal functional mode. Initialization uses four special pins:

- RST# pin to reset the device
- CFG# pin to program the configuration registers
- LBK0# and LBK1# pins for the loopback function

The following flowchart illustrates the initialization procedure:

**Figure 3. Flowchart illustrating initialization procedure**



**Power on**

Apply power to the chip as described in [Power-Up Sequence](#).

**Reset Chip**

Apply reset to the QDR-IV XP SRAM as described in [Reset Sequence](#).

**Configure the Impedance**

Assert Config (CFG# = 0) and program the impedance control register.

**Wait for the PLL to Lock**

Since the input impedance is updated, allow the PLL time ( $t_{PLL}$ ) to lock to the input clock.



*Configure Training Options*

At this time, the address and data inversion options need to be programmed. In addition, the write training function needs to be enabled.

Assert Config (CFG# = 0) and program:

- Write Training (Turn On)
- Address Inversion Enable
- Data Inversion Enable

*Control/Address Deskew*

Control and address deskew can now be performed by the memory controller.

*Read Data Deskew*

After control and address deskew, the read data path is deskewed as previously described in [Deskew Training Sequence](#).

*Write Data Deskew*

Write data path is deskewed following the read data path deskew.

*Configure Runtime Options*

After the training is complete, disable the write training function. Finally, enable the address parity option at this time.

Assert Config (CFG# = 0) and program:

- Write Training (Turn off)
- Parity Enable

*Normal Operation*

If the system detects a need to deskew again, the process must start again from the [Configure Training Options](#) step.

[Table 1](#) defines the loopback mapping.

**Table 1. Loopback Signal Mapping**

| Input Pin<br>LBK0# = 0<br>LBK1# = 0 | Input Pin<br>LBK0# = 0<br>LBK1# = 1 | Input Pin<br>LBK0# = 1<br>LBK1# = 0 | Output Pin |
|-------------------------------------|-------------------------------------|-------------------------------------|------------|
| A0                                  | A13                                 | DKA0                                | DQA0       |
| A1                                  | A14                                 | DKA0#                               | DQA1       |
| A2                                  | A15                                 | DKA1                                | DQA2       |
| A3                                  | A16                                 | DKA1#                               | DQA3       |
| A4                                  | A17                                 | LDA#                                | DQA4       |
| A5                                  | A18                                 | RWA#                                | DQA5       |
| A6                                  | A19                                 | DKB0                                | DQA6       |
| A7                                  | A20                                 | DKB0#                               | DQA7       |
| A8                                  | A21                                 | DKB1                                | DQA8       |
| A9                                  | A22                                 | DKB1#                               | DQA9       |
| A10                                 | A23                                 | LDB#                                | DQA10      |
| A11                                 | A24                                 | RWB#                                | DQA11      |
| A12                                 | AINV                                | AP                                  | DQA12      |

**Configuration Registers**

The QDR-IV XP SRAM contains internal registers that are programmed by the system using a special configuration cycle. These registers are used to enable and control several options, as described in this section. All registers are 8-bits wide. The write operation is performed using only the address pins to define the register address and register write data. For a read operation, the register read data is provided on the data port A output pins. Refer to [Figure 14 on page 39](#) for programming details.

During the rising edge of RST#, the address pins A[13:0] are sampled. The value sampled becomes the reset value of certain bits in the registers defined in [Table 2 on page 15](#). This is used to set termination, impedance, and port configuration values immediately upon reset. These values can be overwritten later through a register write operation.

When a parity error occurs, the complete address of the **first** error is recorded in registers 4, 5, 6, and 7 along with the port A/B error bit. The port A/B error bit will indicate from which port the address parity error came — 0 for port A and 1 for port B. This information will remain latched until cleared by writing a 1 to the address parity error clear bit in register 3.

Two counters are used to indicate if multiple address parity errors occurred. The Port A error count is a running count of the number of parity errors on port A addresses, and similarly the port B error count is a running count of the number of parity errors on port B addresses. They will each independently count to a maximum value of 3 and then stop counting. These counters are free-running and they are both reset by writing a 1 to the address parity error clear bit in register 3.

**Configuration Registers Description**
**Table 2. Configuration Register Table**

| Register Address | Description                      |
|------------------|----------------------------------|
| 0                | Termination Control Register     |
| 1                | Impedance Control Register       |
| 2                | Option Control Register          |
| 3                | Function Control Register        |
| 4                | Address Parity Status Register 0 |
| 5                | Address Parity Status Register 1 |
| 6                | Address Parity Status Register 2 |
| 7                | Address Parity Status Register 3 |

**Configuration Register Definitions**
**Table 3. Address 0: Termination Control Register (Read/Write)**

| Function     | ODT Global Enable | ODT/ZQ Auto Update | Address / Command Input Group IU[2] | Address / Command Input Group IU[1] | Address / Command Input Group IU[0] | Clock Input Group KU[2] | Clock Input Group KU[1] | Clock Input Group KU[0] |
|--------------|-------------------|--------------------|-------------------------------------|-------------------------------------|-------------------------------------|-------------------------|-------------------------|-------------------------|
| Bit Location | 7                 | 6                  | 5                                   | 4                                   | 3                                   | 2                       | 1                       | 0                       |
| Reset Value  | A7                | A6                 | A5                                  | A4                                  | A3                                  | A2                      | A1                      | A0                      |

Note: ODT/ZQ Auto Update needs to be turned on if ODT/ZQ configuration is changed

**Table 4. Address 1: Impedance Control Register (Read/Write)**

| Function     | Pull-Down Group PD[1] | Pull-Down Group PD[0] | Pull-Up Group PU[1] | Pull-Up Group PU[0] | Unused | Data Input Group QU[2] | Data Input Group QU[1] | Data Input Group QU[0] |
|--------------|-----------------------|-----------------------|---------------------|---------------------|--------|------------------------|------------------------|------------------------|
| Bit Location | 7                     | 6                     | 5                   | 4                   | 3      | 2                      | 1                      | 0                      |
| Reset Value  | 1                     | 0                     | 1                   | 0                   | 0      | A10                    | A9                     | A8                     |

**Table 5. Address 2: Option Control Register (Read/Write Bits 7-3) (Read-Only Bits 2-0) [2]**

| Function     | Write Train Enable | Data Inv Enable | Address Inv Enable | Address Parity Enable | PLL Reset | I/O Type | Port Enable[1] | Port Enable[0] |
|--------------|--------------------|-----------------|--------------------|-----------------------|-----------|----------|----------------|----------------|
| Bit Location | 7                  | 6               | 5                  | 4                     | 3         | 2        | 1              | 0              |
| Reset Value  | 0                  | 0               | 0                  | 0                     | 0         | A13      | A12            | A11            |

**Table 6. Address 3: Function Control Register (Write Only)**

| Function     | Unused | Unused | Unused | Unused | Unused | Unused | Unused | Address Parity Error Clear |
|--------------|--------|--------|--------|--------|--------|--------|--------|----------------------------|
| Bit Location | 7      | 6      | 5      | 4      | 3      | 2      | 1      | 0                          |
| Reset Value  | 0      | 0      | 0      | 0      | 0      | 0      | 0      | 0                          |



**Table 7. Address 4: Address Parity Status Register 0 (Read Only)**

| Function     | Port B Error Count (1:0) | Port A Error Count (1:0) | Port A/B Error | AINV Bit | Unused | Unused |
|--------------|--------------------------|--------------------------|----------------|----------|--------|--------|
| Bit Location | 7:6                      | 5:4                      | 3              | 2        | 1      | 0      |
| Reset Value  | 00                       | 00                       | 0              | 0        | 0      | 0      |

**Table 8. Address 5: Address Parity Status Register 1 (Read Only)**

|                                                  |                 |
|--------------------------------------------------|-----------------|
| Function                                         | Address (23:16) |
| Bit Location                                     | 7:0             |
| Reset Value                                      | 00000000        |
| Note: Unused address locations will be read as 0 |                 |

**Table 9. Address 6: Address Parity Status Register 2 (Read Only)**

|              |                |
|--------------|----------------|
| Function     | Address (15:8) |
| Bit Location | 7:0            |
| Reset Value  | 00000000       |

**Table 10. Address 7: Address Parity Status Register 3 (Read Only)**

|              |               |
|--------------|---------------|
| Function     | Address (7:0) |
| Bit Location | 7:0           |
| Reset Value  | 00000000      |

**Note**

- The Bits 2-0 are read only and can be changed only on the rising edge of reset

**I/O Type and Port Enable Bit Definitions**

**Table 11. I/O Type Bit Definition specified in Address 2: Option Control Register**

| I/O Type | Function    |
|----------|-------------|
| 0        | HSTL / SSTL |
| 1        | POD         |

**Table 12. Port Enable Bit Definition specified in Address 2: Option Control Register**

| Port Enable [1:0] |   | Function           | Port B Mode | Port A Mode | Port B Clocks and Controls                         | Port A Clocks and Controls                         |
|-------------------|---|--------------------|-------------|-------------|----------------------------------------------------|----------------------------------------------------|
| 0                 | 0 | Fixed Port Mode    | Write Only  | Read Only   | DKB - On<br>QKB - Off<br>LDB# - On<br>RWB# - Off   | DKA - Off<br>QKA - On<br>LDA# - On<br>RWA# - Off   |
| 0                 | 1 | Only Port A Enable | Disabled    | Enabled     | DKB - Off<br>QKB - Off<br>LDB# - Off<br>RWB# - Off | DKA - On<br>QKA - On<br>LDA# - On<br>RWA# - On     |
| 1                 | 0 | Not supported      | Disabled    | Disabled    | DKB - Off<br>QKB - Off<br>LDB# - Off<br>RWB# - Off | DKA - Off<br>QKA - Off<br>LDA# - Off<br>RWA# - Off |
| 1                 | 1 | Both Ports Enabled | Enabled     | Enabled     | DKB - On<br>QKB - On<br>LDB# - On<br>RWB# - On     | DKA - On<br>QKA - On<br>LDA# - On<br>RWA# - On     |

**ODT Termination Bit Definitions**

**Table 13. Clock Input Group Bit Definition specified in Address 0: Termination Control Register**

| ODT Global Enable | KU[2:0] |   |   | Divisor Value | Termination Value HSTL/SSTL Mode |               | Termination Value POD Mode |               |
|-------------------|---------|---|---|---------------|----------------------------------|---------------|----------------------------|---------------|
|                   |         |   |   |               | ZT 180 ohm                       | ZT 220 ohm    | ZT 180 ohm                 | ZT 220 ohm    |
| 0                 | X       | X | X | –             | OFF                              | OFF           | OFF                        | OFF           |
| 1                 | 0       | 0 | 0 | –             | OFF                              | OFF           | OFF                        | OFF           |
| 1                 | 0       | 0 | 1 | 8.33%         | Not supported                    | Not supported | Not supported              | Not supported |
| 1                 | 0       | 1 | 0 | 12.50%        | Not supported                    | Not supported | Not supported              | Not supported |
| 1                 | 0       | 1 | 1 | 16.67%        | Not supported                    | 40 ohm        | Not supported              | Not supported |
| 1                 | 1       | 0 | 0 | 25%           | 50 ohm                           | 60 ohm        | 50 ohm                     | 60 ohm        |
| 1                 | 1       | 0 | 1 | 50%           | 100 ohm                          | 120 ohm       | 100 ohm                    | 120 ohm       |
| 1                 | 1       | 1 | 0 | –             | Not supported                    | Not supported | Not supported              | Not supported |
| 1                 | 1       | 1 | 1 | –             | Not supported                    | Not supported | Not supported              | Not supported |

**Note:** Termination values are accurate to ±15%  
ZQ tolerance is 1%

**Table 14. Address/Command Input Group Bit Definition specified in Address 0: Termination Control Register**

| ODT Global Enable | IU[2:0] |   |   | Divisor Value | Termination Value HSTL/ SSTL Mode |               | Termination Value POD Mode |               |
|-------------------|---------|---|---|---------------|-----------------------------------|---------------|----------------------------|---------------|
|                   |         |   |   |               | ZT 180 ohm                        | ZT 220 ohm    | ZT 180 ohm                 | ZT 220 ohm    |
| 0                 | X       | X | X | –             | OFF                               | OFF           | OFF                        | OFF           |
| 1                 | 0       | 0 | 0 | –             | OFF                               | OFF           | OFF                        | OFF           |
| 1                 | 0       | 0 | 1 | 8.33%         | Not supported                     | Not supported | Not supported              | Not supported |
| 1                 | 0       | 1 | 0 | 12.50%        | Not supported                     | Not supported | Not supported              | Not supported |
| 1                 | 0       | 1 | 1 | 16.67%        | Not supported                     | 40 ohm        | Not supported              | Not supported |
| 1                 | 1       | 0 | 0 | 25%           | 50 ohm                            | 60 ohm        | 50 ohm                     | 60 ohm        |
| 1                 | 1       | 0 | 1 | 50%           | 100 ohm                           | 120 ohm       | 100 ohm                    | 120 ohm       |
| 1                 | 1       | 1 | 0 | –             | Not supported                     | Not supported | Not supported              | Not supported |
| 1                 | 1       | 1 | 1 | –             | Not supported                     | Not supported | Not supported              | Not supported |

**Note:** Termination values are accurate to ±15%  
ZQ tolerance is 1%

**Table 15. Data Input Group Bit Definition specified in Address 1: Impedance Control Register**

| ODT Global Enable | QU[2:0] |   |   | Divisor Value | Termination Value HSTL/ SSTL Mode |               | Termination Value POD Mode |               |
|-------------------|---------|---|---|---------------|-----------------------------------|---------------|----------------------------|---------------|
|                   |         |   |   |               | ZT 180 ohm                        | ZT 220 ohm    | ZT 180 ohm                 | ZT 220 ohm    |
| 0                 | X       | X | X | –             | OFF                               | OFF           | OFF                        | OFF           |
| 1                 | 0       | 0 | 0 | –             | OFF                               | OFF           | OFF                        | OFF           |
| 1                 | 0       | 0 | 1 | 8.33%         | Not supported                     | Not supported | Not supported              | Not supported |
| 1                 | 0       | 1 | 0 | 12.50%        | Not supported                     | Not supported | Not supported              | Not supported |
| 1                 | 0       | 1 | 1 | 16.67%        | Not supported                     | 40 ohm        | Not supported              | Not supported |
| 1                 | 1       | 0 | 0 | 25%           | 50 ohm                            | 60 ohm        | 50 ohm                     | 60 ohm        |
| 1                 | 1       | 0 | 1 | 50%           | 100 ohm                           | 120 ohm       | 100 ohm                    | 120 ohm       |
| 1                 | 1       | 1 | 0 | –             | Not supported                     | Not supported | Not supported              | Not supported |
| 1                 | 1       | 1 | 1 | –             | Not supported                     | Not supported | Not supported              | Not supported |

**Note:** Termination values are accurate to ±15%  
ZQ tolerance is 1%

**Drive Strength Bit Definitions**
**Table 16. Pull-Up Driver Bit Definition specified in Address 1: Impedance Control Register**

| PU[1:0] |   | Divisor Value | Impedance Value HSTL/ SSTL Mode |               | Impedance Value POD Mode |               |
|---------|---|---------------|---------------------------------|---------------|--------------------------|---------------|
|         |   |               | ZT 180 ohm                      | ZT 220 ohm    | ZT 180 ohm               | ZT 220 ohm    |
| 0       | 0 | 14.17%        | Not supported                   | Not supported | Not supported            | Not supported |
| 0       | 1 | 16.67%        | Not supported                   | 40 ohm        | Not supported            | 40 ohm        |
| 1       | 0 | 25%           | 50 ohm                          | 60 ohm        | 50 ohm                   | 60 ohm        |
| 1       | 1 | –             | Not supported                   | Not supported | Not supported            | Not supported |

**Note:** Termination values are accurate to ±15%  
ZQ tolerance is 1%

**Table 17. Pull-Down Driver Bit Definition specified in Address 1: Impedance Control Register**

| PD[1:0] |   | Divisor Value | Impedance Value HSTL/ SSTL Mode |               | Impedance Value POD Mode |               |
|---------|---|---------------|---------------------------------|---------------|--------------------------|---------------|
|         |   |               | ZT 180 ohm                      | ZT 220 ohm    | ZT 180 ohm               | ZT 220 ohm    |
| 0       | 0 | 14.17%        | Not supported                   | Not supported | Not supported            | Not supported |
| 0       | 1 | 16.67%        | Not supported                   | 40 ohm        | Not supported            | 40 ohm        |
| 1       | 0 | 25%           | 50 ohm                          | 60 ohm        | 50 ohm                   | 60 ohm        |
| 1       | 1 | –             | Not supported                   | Not supported | Not supported            | Not supported |

**Note:** Termination values are accurate to ±15%  
ZQ tolerance is 1%

## IEEE 1149.1 Serial Boundary Scan (JTAG)

QDR-IV XP SRAMs incorporate a serial boundary scan test access port (TAP) in the FCBGA package. This part is fully compliant with IEEE Standard #1149.1-2001. In the JTAG mode, the ODT feature for all pins is disabled.

If the JTAG function is not used in the circuit, then TCK inputs must be driven low or tied to VSS. TRST#, TMS, TDI, and TDO may be left floating. An internal pull-up resistor is implemented on the TRST#, TMS, and TDI inputs to ensure that these inputs are HIGH during  $t_{PWR}$ .

### Test Access Port

#### Test Clock (TCK)

The test clock is used only with the TAP controller. All inputs are captured on the rising edge of TCK. All outputs are driven from the falling edge of TCK.

#### Test Mode Select (TMS)

The TMS input is used to give commands to the TAP controller and is sampled on the rising edge of TCK. This pin may be left unconnected if the TAP is not used. The pin is pulled up internally, resulting in a logic HIGH level.

#### Test Data-In (TDI)

The TDI pin is used to serially input information into the registers and can be connected to the input of any of the registers. The register between TDI and TDO is chosen by the instruction that is loaded into the TAP instruction register. For information on loading the instruction register, see [TAP Controller State Diagram on page 22](#). TDI is internally pulled up and can be unconnected if the TAP is unused in an application. TDI is connected to the most significant bit (MSB) on any register.

#### Test Data-Out (TDO)

The TDO output pin is used to serially clock data out from the registers. The output is active, depending upon the current state of the TAP state machine (see [Instruction Codes on page 26](#)). The output changes on the falling edge of TCK. TDO is connected to the least significant bit (LSB) of any register.

#### Test Reset (TRST#)

The TRST# input pin is used to reset the TAP controller.

Alternatively, a reset may be performed by forcing TMS HIGH ( $V_{DD}$ ) for five rising edges of TCK.

This reset does not affect the operation of the SRAM and can be performed while the SRAM is operating. At power-up, the TAP is reset internally to ensure that TDO comes up in a high Z state.

### TAP Registers

Registers are connected between the TDI and TDO pins to scan the data in and out of the SRAM test circuitry. Only one register can be selected at a time through the instruction registers. Data is serially loaded into the TDI pin on the rising edge of TCK. Data is output on the TDO pin on the falling edge of TCK.

#### Instruction Register

Three-bit instructions can be serially loaded into the instruction register. This register is loaded when it is placed between the TDI and TDO pins, as shown in [TAP Controller Block Diagram on page 23](#). Upon power-up, the instruction register is loaded with the IDCODE instruction. It is also loaded with the IDCODE instruction if the controller is placed in a RST state, as described in the previous section.

When the TAP controller is in the Capture-IR state, the two least significant bits are loaded with a binary "01" pattern to allow for fault isolation of the board-level serial test path.

#### Bypass Register

To save time when serially shifting data through registers, it is sometimes advantageous to skip certain chips. The bypass register is a single-bit register that can be placed between TDI and TDO pins. This enables shifting of data through the SRAM with minimal delay. The bypass register is set LOW (VSS) when the BYPASS instruction is executed.

#### Boundary Scan Register

The boundary scan register is connected to all of the input and output pins on the SRAM. Several No Connect (NC) pins are also included in the scan register to reserve pins for higher density devices.

The boundary scan register is loaded with the contents of the RAM input and output ring when the TAP controller is in the Capture-DR state and is then placed between the TDI and TDO pins when the controller is moved to the Shift-DR state. The EXTEST, SAMPLE/PRELOAD, and SAMPLE Z instructions can be used to capture the contents of the input and output ring.

[Boundary Scan Order on page 27](#) shows the order in which the bits are connected. Each bit corresponds to one of the bumps on the SRAM package. The MSB of the register is connected to TDI and the LSB is connected to TDO.

#### Identification (ID) Register

The ID register is loaded with a vendor-specific, 32-bit code during the Capture-DR state when the IDCODE command is loaded in the instruction register. The IDCODE is hardwired into the SRAM and can be shifted out when the TAP controller is in the Shift-DR state. The ID register has a vendor code and other information described in [Identification Register Definitions on page 26](#).

### TAP Instruction Set

Eight different instructions are possible with the three-bit instruction register. All combinations are listed in [Instruction Codes on page 26](#). Three of these instructions are listed as RESERVED and must not be used. The other five instructions are described in this section in detail.

Instructions are loaded into the TAP controller during the Shift-IR state when the instruction register is placed between TDI and TDO. During this state, instructions are shifted through the instruction register through the TDI and TDO pins. To execute the instruction after it is shifted in, the TAP controller must be moved into the Update-IR state.

### *IDCODE*

The IDCODE instruction loads a vendor-specific, 32-bit code into the instruction register. It also places the instruction register between the TDI and TDO pins and shifts the IDCODE out of the device when the TAP controller enters the Shift-DR state. The IDCODE instruction is loaded into the instruction register at power-up or whenever the TAP controller is supplied a Test-Logic-RST state.

### *SAMPLE Z*

The SAMPLE Z instruction connects the boundary scan register between the TDI and TDO pins when the TAP controller is in a Shift-DR state. The SAMPLE Z command puts the output bus into a High Z state until the next command is supplied during the Update IR state. Both Port A and Port B are enabled once this command has been executed.

### *SAMPLE/PRELOAD*

SAMPLE/PRELOAD is a 1149.1 mandatory instruction. When the SAMPLE/PRELOAD instructions are loaded into the instruction register and the TAP controller is in the Capture-DR state, a snapshot of data on the input and output pins is captured in the boundary scan register.

Remember that the TAP controller clock can only operate at a frequency up to 20 MHz, while the SRAM clock operates more than an order of magnitude faster. Because there is a large difference in the clock frequencies, it is possible that an input or output undergoes a transition during the Capture-DR state. The TAP may then try to capture a signal while in transition (metastable state). This does not harm the device, but there is no guarantee as to the value that is captured. Repeatable results may not be possible.

To guarantee that the boundary scan register captures the correct value of a signal, the SRAM signal must be stabilized long enough to meet the TAP controller's capture setup plus hold times ( $t_{CS}$  and  $t_{CH}$ ). The SRAM clock input might not be captured correctly if there is no way in a design to stop (or slow) the clock during a SAMPLE/PRELOAD instruction. If this is an issue, it is still possible to capture all other signals and simply ignore the value of the CK and  $\overline{CK}$  captured in the boundary scan register.

After the data is captured, it is possible to shift out the data by putting the TAP into the Shift-DR state. This places the boundary scan register between the TDI and TDO pins.

PRELOAD places an initial data pattern at the latched parallel outputs of the boundary scan register cells before the selection of another boundary scan test operation.

The shifting of data for the SAMPLE and PRELOAD phases can occur concurrently when required, that is, while the data captured is shifted out, the preloaded data can be shifted in.

### *BYPASS*

When the BYPASS instruction is loaded in the instruction register and the TAP is placed in a Shift-DR state, the bypass register is placed between the TDI and TDO pins. The advantage of the BYPASS instruction is that it shortens the boundary scan path when multiple devices are connected together on a board.

### *EXTEST*

The EXTEST instruction drives the preloaded data out through the system output pins. This instruction also connects the boundary scan register for serial access between the TDI and TDO in the Shift-DR controller state. Both Port A and Port B are enabled after this command is executed.

### *EXTEST OUTPUT BUS TRISTATE*

IEEE Standard 1149.1 mandates that the TAP controller be able to put the output bus into a tristate mode.

The boundary scan register has output enable control bits located at Bit #49 and Bit #50. Bit# 49 enables the output pins for DQB and Bit#50 enables DQA and PE# pins.

When these scan cells, called the "extest output bus tristate," are latched into the preload register during the Update-DR state in the TAP controller, they directly control the state of the output (Q-bus) pins, when the EXTEST is entered as the current instruction. When HIGH, it enables the output buffers to drive the output bus. When LOW, this bit places the output bus into a High Z condition.

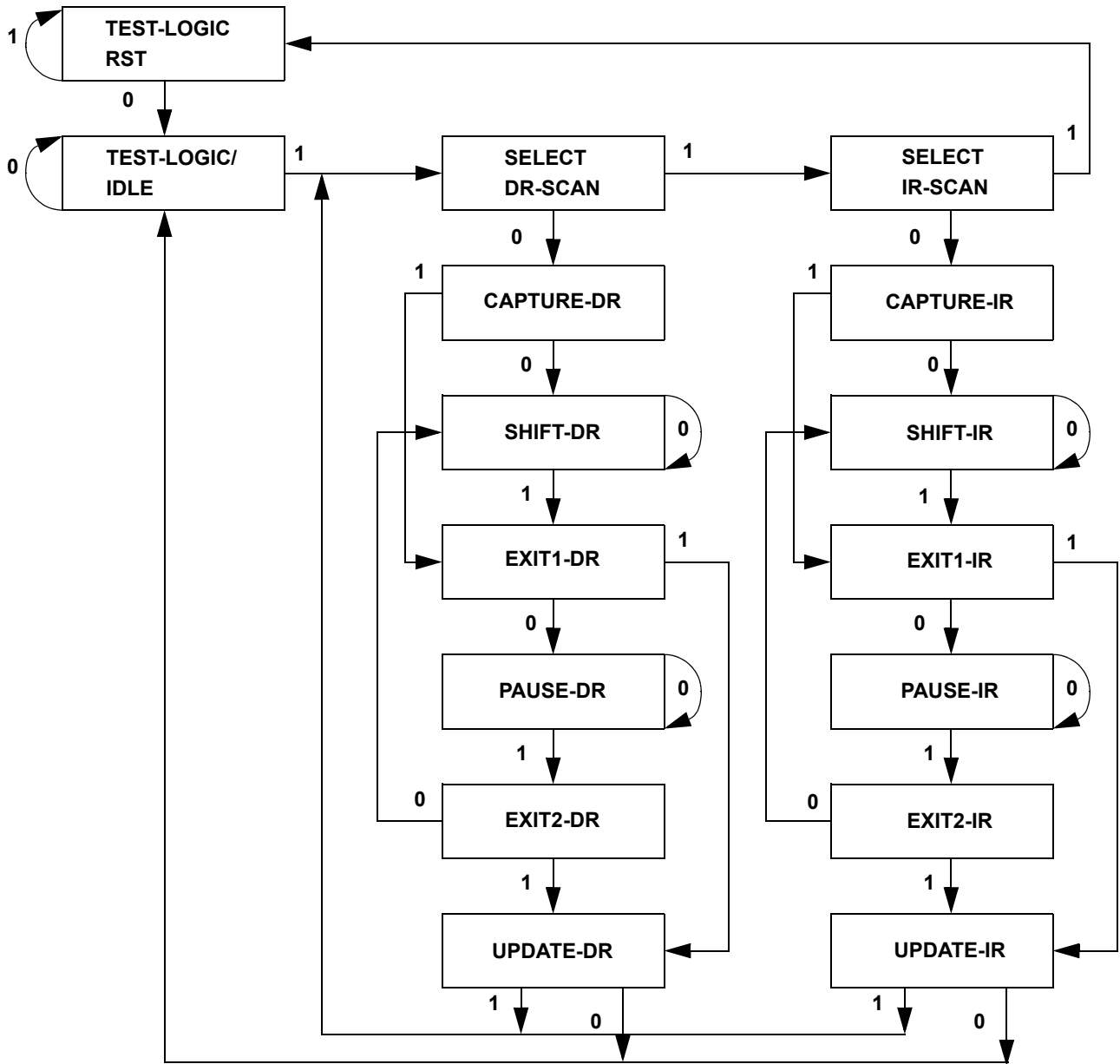
These bits can be set by entering the SAMPLE/PRELOAD or EXTEST command, and then shifting the desired bit into that cell, during the Shift-DR state. During Update-DR, the value loaded into that shift-register cell latches into the preload register. When the EXTEST instruction is entered, these bits directly controls the output Q-bus pins. Note that these bits are pre-set LOW to disable the output when the device is powered up, and also when the TAP controller is in the Test-Logic-RST state.

### *Reserved*

These instructions are not implemented but are reserved for future use. Do not use these instructions.

TAP Controller State Diagram

Figure 4. TAP Controller State Diagram [3]



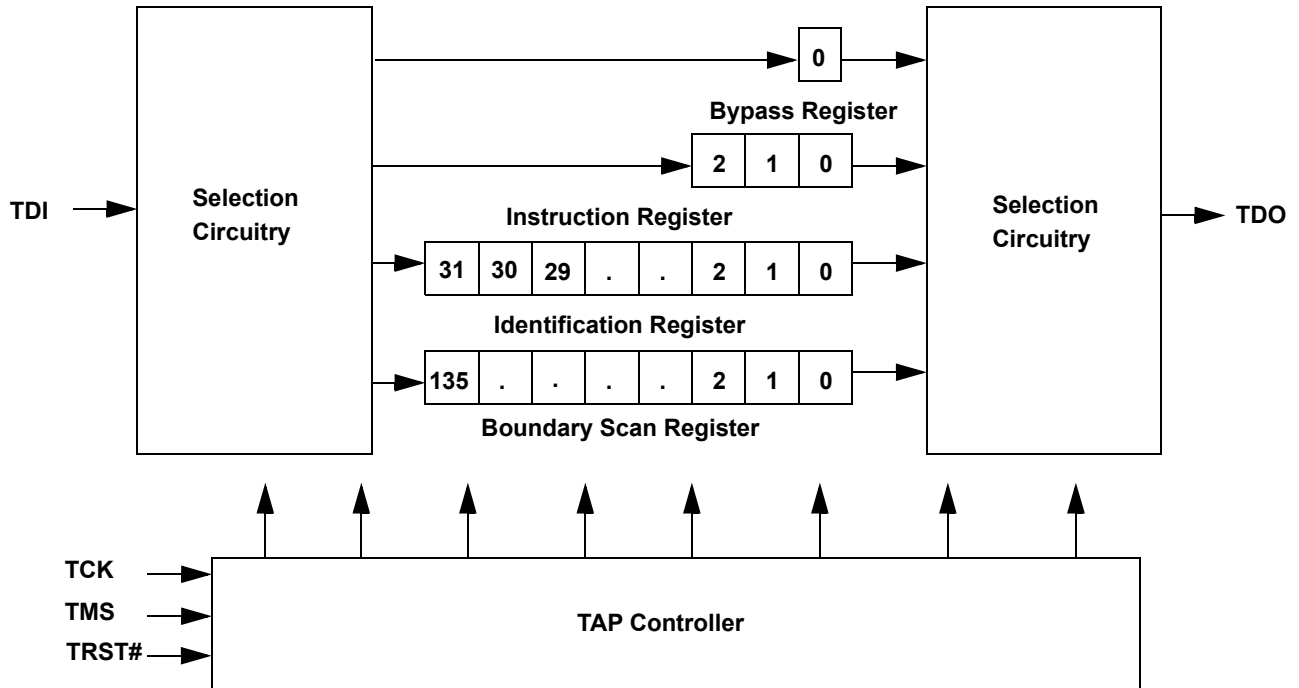
Note

3. The 0/1 next to each state represents the value at TMS at the rising edge of TCK.



**TAP Controller Block Diagram**

Figure 5. TAP Controller Block Diagram



## TAP Electrical Characteristics

Over the Operating Range

| Parameter | Description                           | Test Conditions      | Min                 | Max                 | Unit    |
|-----------|---------------------------------------|----------------------|---------------------|---------------------|---------|
| $V_{OH}$  | LVC MOS high-level output voltage     | $I_{OH} = 100 \mu A$ | $V_{DD} \times 0.8$ | –                   | V       |
| $V_{OL}$  | LVC MOS low-level output voltage      | $I_{OL} = 100 \mu A$ | –                   | $V_{DD} \times 0.2$ | V       |
| $V_{IH}$  | LVC MOS high-level input voltage (DC) |                      | $V_{DD} \times 0.7$ | $V_{DD} + 0.2$      | V       |
| $V_{IL}$  | LVC MOS low-level input voltage (DC)  |                      | –0.2                | $V_{DD} \times 0.3$ | V       |
| $I_X$     | LVC MOS input leakage current         |                      | –                   | 10                  | $\mu A$ |
| $I_{OZ}$  | LVC MOS output leakage current        |                      | –                   | 10                  | $\mu A$ |

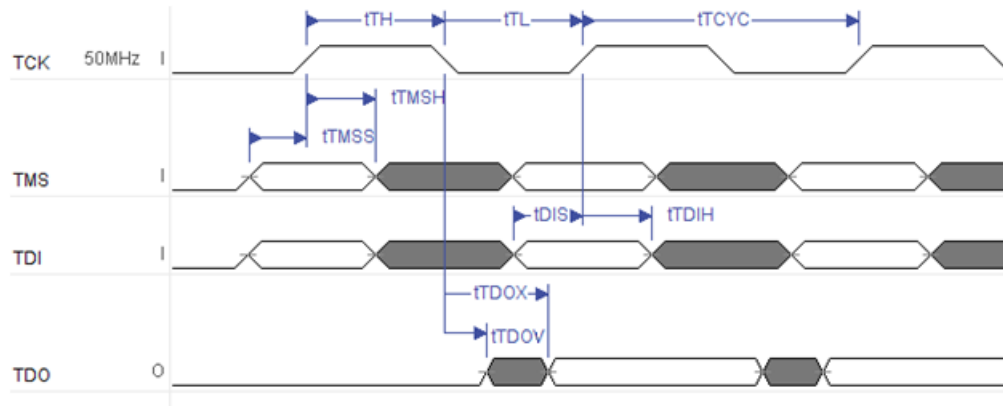
## TAP AC Switching Characteristics

Over the Operating Range

| Parameter                                                                                                               | Description                   | Min | Max | Unit |
|-------------------------------------------------------------------------------------------------------------------------|-------------------------------|-----|-----|------|
| $t_{TCYC}$                                                                                                              | TCK clock cycle time          | 50  | –   | ns   |
| $t_{TF}$                                                                                                                | TCK clock frequency           | –   | 20  | MHz  |
| $t_{TH}$                                                                                                                | TCK clock HIGH                | 20  | –   | ns   |
| $t_{TL}$                                                                                                                | TCK clock LOW                 | 20  | –   | ns   |
| <b>Setup Times</b>                                                                                                      |                               |     |     |      |
| $t_{TMSS}$                                                                                                              | TMS setup to TCK clock rise   | 5   | –   | ns   |
| $t_{TDIS}$                                                                                                              | TDI setup to TCK clock rise   | 5   | –   | ns   |
| $t_{CS}$                                                                                                                | Capture setup to TCK rise     | 5   | –   | ns   |
| <b>Hold Times</b>                                                                                                       |                               |     |     |      |
| $t_{TMSH}$                                                                                                              | TMS hold after TCK clock rise | 5   | –   | ns   |
| $t_{TDIH}$                                                                                                              | TDI hold after clock rise     | 5   | –   | ns   |
| $t_{CH}$                                                                                                                | Capture hold after clock rise | 5   | –   | ns   |
| <b>Output Times</b>                                                                                                     |                               |     |     |      |
| $t_{TDOV}$                                                                                                              | TCK clock LOW to TDO valid    | –   | 10  | ns   |
| $t_{TDOX}$                                                                                                              | TCK clock LOW to TDO invalid  | 0   | –   | ns   |
| Note: $t_{CS}$ and $t_{CH}$ refer to setup and hold time requirements of latching data from the boundary scan register. |                               |     |     |      |

**TAP Timing Diagram**

**Figure 6. TAP Timing Diagram**



## Identification Register Definitions

| Instruction Field         | Value             |                   | Description                                  |
|---------------------------|-------------------|-------------------|----------------------------------------------|
|                           | CY7C4122KV13      | CY7C4142KV13      |                                              |
| Revision Number (31:29)   | 000               | 000               | Version number.                              |
| Cypress Device ID (28:12) | 11011010101010011 | 11011010101100011 | Defines the type of SRAM.                    |
| Cypress JEDEC ID (11:1)   | 00000110100       | 00000110100       | Allows unique identification of SRAM vendor. |
| ID Register Presence (0)  | 1                 | 1                 | Indicates the presence of an ID register.    |

## Scan Register Sizes

| Register Name | Bit Size |
|---------------|----------|
| Instruction   | 3        |
| Bypass        | 1        |
| ID            | 32       |
| Boundary Scan | 136      |

## Instruction Codes

| Instruction    | Code | Description                                                                                                                                      |
|----------------|------|--------------------------------------------------------------------------------------------------------------------------------------------------|
| EXTEST         | 000  | Captures the input and output ring contents.                                                                                                     |
| IDCODE         | 001  | Loads the ID register with the vendor ID code and places the register between TDI and TDO. This operation does not affect SRAM operation.        |
| SAMPLE Z       | 010  | Captures the input and output contents. Places the boundary scan register between TDI and TDO. Forces all SRAM output drivers to a High Z state. |
| RESERVED       | 011  | Do Not Use: This instruction is reserved for future use.                                                                                         |
| SAMPLE/PRELOAD | 100  | Captures the input and output contents. Places the boundary scan register between TDI and TDO. Does not affect the SRAM operation.               |
| RESERVED       | 101  | Do Not Use: This instruction is reserved for future use.                                                                                         |
| RESERVED       | 110  | Do Not Use: This instruction is reserved for future use.                                                                                         |
| BYPASS         | 111  | Places the bypass register between TDI and TDO. This operation does not affect SRAM operation.                                                   |

**Boundary Scan Order**

| Bit | Bump | CY7C4142KV13 | CY7C4122KV13 |
|-----|------|--------------|--------------|
|     |      | × 36 Device  | × 18 Device  |
| 0   | 12A  | DQA<26>      | DQA<17>      |
| 1   | 13B  | DQA<19>      | DQA<10>      |
| 2   | 14A  | DQA<25>      | DQA<16>      |
| 3   | 15B  | DQA<35>      | NC           |
| 4   | 16A  | DQA<23>      | DQA<14>      |
| 5   | 18B  | DQA<31>      | NC           |
| 6   | 17C  | QVLDA<1>     | QVLDA<1>     |
| 7   | 16C  | QKA<1>       | QKA<1>       |
| 8   | 14C  | DQA<20>      | DQA<11>      |
| 9   | 12C  | DQA<18>      | DQA<9>       |
| 10  | 12D  | DINVA<1>     | DINVA<1>     |
| 11  | 13D  | DQA<22>      | DQA<13>      |
| 12  | 15D  | DQA<21>      | DQA<12>      |
| 13  | 17D  | QKA#<1>      | QKA#<1>      |
| 14  | 18E  | DQA<32>      | NC           |
| 15  | 15F  | DQA<24>      | DQA<15>      |
| 16  | 16F  | DKA<1>       | DKA<1>       |
| 17  | 17F  | DKA#<1>      | DKA#<1>      |
| 18  | 18G  | DQA<33>      | NC           |
| 19  | 16G  | DQA<34>      | NC           |
| 20  | 17H  | DQA<27>      | NC           |
| 21  | 15H  | DQA<28>      | NC           |
| 22  | 16J  | DQA<30>      | NC           |
| 23  | 18J  | DQA<29>      | NC           |
| 24  | 18K  | RST#         | RST#         |
| 25  | 18L  | DQB<29>      | NC           |
| 26  | 16L  | DQB<30>      | NC           |
| 27  | 15M  | DQB<28>      | NC           |
| 28  | 17M  | DQB<27>      | NC           |
| 29  | 18N  | DQB<33>      | NC           |
| 30  | 16N  | DQB<34>      | NC           |
| 31  | 15P  | DQB<24>      | DQB<15>      |
| 32  | 16P  | DKB<1>       | DKB<1>       |
| 33  | 17P  | DKB#<1>      | DKB#<1>      |
| 34  | 18R  | DQB<32>      | NC           |
| 35  | 17T  | QKB#<1>      | QKB#<1>      |
| 36  | 15T  | DQB<21>      | DQB<12>      |
| 37  | 13T  | DQB<22>      | DQB<13>      |
| 38  | 12T  | DINVB<1>     | DINVB<1>     |
| 39  | 12U  | DQB<18>      | DQB<9>       |
| 40  | 14U  | DQB<20>      | DQB<11>      |
| 41  | 16U  | QKB<1>       | QKB<1>       |
| 42  | 17U  | QVLDB<1>     | QVLDB<1>     |
| 43  | 18V  | DQB<31>      | NC           |
| 44  | 15V  | DQB<35>      | NC           |
| 45  | 13V  | DQB<19>      | DQB<10>      |
| 46  | 12W  | DQB<26>      | DQB<17>      |

**Boundary Scan Order** (continued)

| Bit | Bump | CY7C4142KV13 | CY7C4122KV13 |
|-----|------|--------------|--------------|
|     |      | × 36 Device  | × 18 Device  |
| 47  | 14W  | DQB<25>      | DQB<16>      |
| 48  | 16W  | DQB<23>      | DQB<14>      |
| 49  |      | Internal_DQB | Internal_DQB |
| 50  |      | Internal_DQA | Internal_DQA |
| 51  | 10V  | PE#          | PE#          |
| 52  | 8P   | A<15>        | A<15>        |
| 53  | 7N   | A<9>         | A<9>         |
| 54  | 9N   | NC/1152M     | NC/576M      |
| 55  | 10P  | AP           | AP           |
| 56  | 10N  | A<2>         | A<2>         |
| 57  | 11N  | NC/2304M     | NC/1152M     |
| 58  | 12P  | A<16>        | A<16>        |
| 59  | 13N  | A<10>        | A<10>        |
| 60  | 13L  | A<8>         | A<8>         |
| 61  | 12M  | A<12>        | A<12>        |
| 62  | 11L  | A<18>        | A<18>        |
| 63  | 10L  | RWB#         | RWB#         |
| 64  | 10M  | AINV         | AINV         |
| 65  | 9L   | A<17>        | A<17>        |
| 66  | 8M   | A<11>        | A<11>        |
| 67  | 7L   | A<7>         | A<7>         |
| 68  | 7J   | A<5>         | A<5>         |
| 69  | 9J   | A<19>        | A<19>        |
| 70  | 10K  | CK#          | CK#          |
| 71  | 10J  | CK           | CK           |
| 72  | 11J  | A<20>        | A<20>        |
| 73  | 13J  | A<6>         | A<6>         |
| 74  | 12H  | LDB#         | LDB#         |
| 75  | 10H  | RWA#         | RWA#         |
| 76  | 8H   | LDA#         | LDA#         |
| 77  | 7G   | A<3>         | A<3>         |
| 78  | 9G   | NC/288M      | A<21>        |
| 79  | 10G  | A<1>         | A<1>         |
| 80  | 11G  | NC/576M      | NC/288M      |
| 81  | 13G  | A<4>         | A<4>         |
| 82  | 12F  | A<14>        | A<14>        |
| 83  | 10F  | A<0>         | A<0>         |
| 84  | 8F   | A<13>        | A<13>        |
| 85  | 10D  | CFG#         | CFG#         |
| 86  | 10B  | LBK#<1>      | LBK#<1>      |
| 87  | 10A  | LBK#<0>      | LBK#<0>      |
| 88  | 8A   | DQA<8>       | DQA<8>       |
| 89  | 7B   | DQA<1>       | DQA<1>       |
| 90  | 6A   | DQA<7>       | DQA<7>       |
| 91  | 5B   | DQA<17>      | NC           |
| 92  | 4A   | DQA<5>       | DQA<5>       |
| 93  | 2B   | DQA<13>      | NC           |
| 94  | 3C   | QVLDA<0>     | QVLDA<0>     |
| 95  | 4C   | QKA<0>       | QKA<0>       |

**Boundary Scan Order** (continued)

| Bit | Bump | CY7C4142KV13 | CY7C4122KV13 |
|-----|------|--------------|--------------|
|     |      | × 36 Device  | × 18 Device  |
| 96  | 6C   | DQA<2>       | DQA<2>       |
| 97  | 8C   | DQA<0>       | DQA<0>       |
| 98  | 8D   | DINVA<0>     | DINVA<0>     |
| 99  | 7D   | DQA<4>       | DQA<4>       |
| 100 | 5D   | DQA<3>       | DQA<3>       |
| 101 | 3D   | QKA#<0>      | QKA#<0>      |
| 102 | 2E   | DQA<14>      | NC           |
| 103 | 3F   | DKA#<0>      | DKA#<0>      |
| 104 | 4F   | DKA<0>       | DKA<0>       |
| 105 | 5F   | DQA<6>       | DQA<6>       |
| 106 | 4G   | DQA<16>      | NC           |
| 107 | 2G   | DQA<15>      | NC           |
| 108 | 3H   | DQA<9>       | NC           |
| 109 | 5H   | DQA<10>      | NC           |
| 110 | 4J   | DQA<12>      | NC           |
| 111 | 2J   | DQA<11>      | NC           |
| 112 | 2L   | DQB<11>      | NC           |
| 113 | 4L   | DQB<12>      | NC           |
| 114 | 5M   | DQB<10>      | NC           |
| 115 | 3M   | DQB<9>       | NC           |
| 116 | 2N   | DQB<15>      | NC           |
| 117 | 4N   | DQB<16>      | NC           |
| 118 | 5P   | DQB<6>       | DQB<6>       |
| 119 | 4P   | DKB<0>       | DKB<0>       |
| 120 | 3P   | DKB#<0>      | DKB#<0>      |
| 121 | 2R   | DQB<14>      | NC           |
| 122 | 3T   | QKB#<0>      | QKB#<0>      |
| 123 | 5T   | DQB<3>       | DQB<3>       |
| 124 | 7T   | DQB<4>       | DQB<4>       |
| 125 | 8T   | DINVB<0>     | DINVB<0>     |
| 126 | 8U   | DQB<0>       | DQB<0>       |
| 127 | 6U   | DQB<2>       | DQB<2>       |
| 128 | 4U   | QKB<0>       | QKB<0>       |
| 129 | 3U   | QVLDB<0>     | QVLDB<0>     |
| 130 | 2V   | DQB<13>      | NC           |
| 131 | 5V   | DQB<17>      | NC           |
| 132 | 7V   | DQB<1>       | DQB<1>       |
| 133 | 8W   | DQB<8>       | DQB<8>       |
| 134 | 6W   | DQB<7>       | DQB<7>       |
| 135 | 4W   | DQB<5>       | DQB<5>       |



### Maximum Ratings

Exceeding maximum ratings may impair the useful life of the device. These user guidelines are not tested.

- Storage temperature ..... -65 °C to +150 °C
- Ambient temperature with power applied ..... -55 °C to +125 °C
- Maximum junction temperature ..... 125 °C
- Supply voltage on V<sub>DD</sub> relative to GND ..... -0.3 V to +1.35 V
- Supply voltage on V<sub>DDQ</sub> relative to GND ..... -0.3 V to +1.35 V
- DC input voltage ..... -0.3 V to +1.35 V
- Current into outputs (low) ..... 20 ma
- Static discharge voltage (MIL-STD-883, M. 3015) ..... > 2001V
- Latch up current ..... > 200 mA

### Operating Range

Table 18. Operating Range

| Range      | Ambient Temperature (T <sub>A</sub> ) | V <sub>DD</sub> | V <sub>DDQ</sub> |
|------------|---------------------------------------|-----------------|------------------|
| Commercial | 0 °C to +70 °C                        | 1.3V ± 40 mV    | 1.1 V ± 50 mV    |
| Industrial | -40 °C to +85 °C                      |                 | 1.2 V ± 50 mV    |

### Neutron Soft Error Immunity

Table 19. Neutron Soft Error Immunity

| Parameter | Description               | Test Conditions | Typ | Max* | Unit    |
|-----------|---------------------------|-----------------|-----|------|---------|
| LSBU      | Logical single-bit upsets | 25 °C           | 0   | 0.01 | FIT/Mb  |
| LMBU      | Logical multi-bit upsets  | 25 °C           | 0   | 0.01 | FIT/Mb  |
| SEL       | Single event latch-up     | 85 °C           | 0   | 0.1  | FIT/Dev |

\* No LMBU or SEL events occurred during testing; this column represents a statistical  $\chi^2$ , 95% confidence limit calculation. For more details refer to Application Note, Accelerated Neutron SER Testing and Calculation of Terrestrial Failure Rates – AN54908.

### Electrical Characteristics

Over the Operating Range

| Parameter                             | Description                                                      | Min                     | Typ                    | Max                     | Unit |
|---------------------------------------|------------------------------------------------------------------|-------------------------|------------------------|-------------------------|------|
| <b>POD Signaling Mode</b>             |                                                                  |                         |                        |                         |      |
| V <sub>DD</sub> <sup>[4]</sup>        | Core supply voltage (1.3 V ± 40 mV)                              | 1.26                    | 1.3                    | 1.34                    | V    |
| V <sub>DDQ</sub> <sup>[4]</sup>       | POD I/O supply voltage (1.1 V ± 50 mV)                           | 1.05                    | 1.1                    | 1.15                    | V    |
|                                       | POD I/O supply voltage (1.2 V ± 50 mV)                           | 1.15                    | 1.2                    | 1.25                    | V    |
| V <sub>REF</sub> <sup>[4, 5]</sup>    | POD reference voltage                                            | V <sub>DDQ</sub> × 0.69 | V <sub>DDQ</sub> × 0.7 | V <sub>DDQ</sub> × 0.71 | V    |
| V <sub>OL(DC)</sub> <sup>[4]</sup>    | POD low-level output voltage (DC)                                | –                       | –                      | 0.5                     | V    |
| V <sub>IH(DC)</sub> <sup>[4, 6]</sup> | POD high-level input voltage (DC)                                | V <sub>REF</sub> + 0.08 | –                      | V <sub>DDQ</sub> + 0.15 | V    |
| V <sub>IL(DC)</sub> <sup>[4, 6]</sup> | POD low level input voltage                                      | –0.15                   | –                      | V <sub>REF</sub> – 0.08 | V    |
| V <sub>IH(AC)</sub> <sup>[4, 7]</sup> | POD high-level input voltage (DC)                                | V <sub>REF</sub> + 0.15 | –                      | –                       | V    |
| V <sub>IL(AC)</sub> <sup>[4, 7]</sup> | POD low-level input voltage                                      | –                       | –                      | V <sub>REF</sub> – 0.15 | V    |
| V <sub>MP(DC)</sub>                   | POD differential input mid-point voltage; Pin and Pin#           | V <sub>REF</sub> – 0.08 | –                      | V <sub>REF</sub> + 0.08 | V    |
| V <sub>ID(DC)</sub>                   | POD differential input differential voltage (DC); Pin and Pin#   | 0.16                    | –                      | –                       | V    |
| V <sub>ID(AC)</sub>                   | POD differential input differential voltage (AC); Pin and Pin#   | 0.30                    | –                      | –                       | V    |
| V <sub>IN</sub>                       | POD single-ended input voltage; Pin and Pin#                     | 0.27                    | –                      | V <sub>DDQ</sub> + 0.15 | V    |
| V <sub>INS</sub>                      | POD single-ended input voltage slew rate; Pin and Pin#           | 3                       | –                      | –                       | V/ns |
| V <sub>IX(AC)</sub>                   | POD differential input crossing point voltage (AC); Pin and Pin# | V <sub>REF</sub> – 0.08 | –                      | V <sub>REF</sub> + 0.08 | V    |

**Notes**

- 4. All voltages referenced to VSS (GND).
- 5. Peak to Peak AC noise on V<sub>REF</sub> must not exceed +/-2% V<sub>DDQ(DC)</sub>.
- 6. V<sub>IH</sub>/V<sub>IL(DC)</sub> are specified with ODT disabled.
- 7. V<sub>IH</sub>/V<sub>IL(AC)</sub> is a test condition specified to guarantee at which the receiver must meet its timing specifications with ODT enabled.

**Electrical Characteristics** (continued)

Over the Operating Range

| Parameter                         | Description                                                                          | Min                    | Typ                   | Max                    | Unit |
|-----------------------------------|--------------------------------------------------------------------------------------|------------------------|-----------------------|------------------------|------|
| $I_X$ <sup>[8]</sup>              | POD input leakage current                                                            | –                      | –                     | 200                    | μA   |
| $I_{OZ}$ <sup>[8]</sup>           | POD output leakage current                                                           | –                      | –                     | 200                    | μA   |
| $I_{DD}$ <sup>[9, 10]</sup>       | $V_{DD}$ operating supply (1066 MHz, × 18)                                           | –                      | 2800                  | 4100                   | mA   |
|                                   | $V_{DD}$ operating supply (1066 MHz, × 36)                                           | –                      | 3920                  | 4500                   | mA   |
|                                   | $V_{DD}$ operating supply (933 MHz, × 18)                                            | –                      | 2520                  | 3400                   | mA   |
|                                   | $V_{DD}$ operating supply (933 MHz, × 36)                                            | –                      | 3520                  | 4000                   | mA   |
| <b>HSTL/SSTL Signaling Mode</b>   |                                                                                      |                        |                       |                        |      |
| $V_{DD}$ <sup>[11]</sup>          | Core supply voltage (1.3 V ±40 mV)                                                   | 1.26                   | 1.3                   | 1.34                   | V    |
| $V_{DDQ}$ <sup>[11]</sup>         | I/O supply voltage (1.2 V ±50 mV)                                                    | 1.15                   | 1.2                   | 1.25                   | V    |
|                                   | I/O supply voltage (1.25 V ±50 mV)                                                   | 1.2                    | 1.25                  | 1.3                    | V    |
| $V_{REF(DC)}$ <sup>[11, 12]</sup> | HSTL/SSTL reference voltage (DC)                                                     | $V_{DDQ} \times 0.48$  | $V_{DDQ} \times 0.5$  | $V_{DDQ} \times 0.52$  | V    |
| $V_{REF(AC)}$ <sup>[11, 12]</sup> | HSTL/SSTL reference voltage (AC)                                                     | $V_{DDQ} \times 0.47$  | $V_{DDQ} \times 0.5$  | $V_{DDQ} \times 0.53$  | V    |
| $V_{IH(DC)}$ <sup>[11, 13]</sup>  | HSTL/SSTL high-level input voltage (DC)                                              | $V_{REF} + 0.08$       | –                     | $V_{DDQ} + 0.15$       | V    |
| $V_{IL(DC)}$ <sup>[11, 13]</sup>  | HSTL/SSTL low-level input voltage (DC)                                               | –0.15                  | –                     | $V_{REF} - 0.08$       | V    |
| $V_{IH(AC)}$ <sup>[11, 14]</sup>  | HSTL/SSTL high-level input voltage (AC)                                              | $V_{REF} + 0.15$       | –                     | $V_{DDQ} + 0.24$       | V    |
| $V_{IL(AC)}$ <sup>[11, 14]</sup>  | HSTL/SSTL low-level input voltage (AC)                                               | –0.24                  | –                     | $V_{REF} - 0.15$       | V    |
| $V_{OH(DC)}$ <sup>[11]</sup>      | HSTL/SSTL high-level output voltage (DC) –<br>$I_{OH} = -0.25 \times V_{DDQ}/R_{OH}$ | $V_{DDQ} \times 0.712$ | $V_{DDQ} \times 0.75$ | –                      | V    |
| $V_{OL(DC)}$ <sup>[11]</sup>      | HSTL/SSTL low-level output voltage (DC) –<br>$I_{OL} = 0.25 \times V_{DDQ}/R_{OL}$   | –                      | $V_{DDQ} \times 0.25$ | $V_{DDQ} \times 0.288$ | V    |
| $V_{IX}$                          | HSTL/SSTL input voltage cross-point                                                  | –                      | $V_{DDQ} \times 0.5$  | –                      | V    |
| $V_{DIF(AC)}$                     | HSTL/SSTL AC input differential voltage                                              | 0.30                   | –                     | $V_{DDQ} + 0.48$       | V    |
| $V_{DIF(DC)}$                     | HSTL/SSTL DC input differential voltage                                              | 0.16                   | –                     | $V_{DDQ} + 0.30$       | V    |
| $V_{DIF(CM)}$                     | HSTL/SSTL DC common mode input                                                       | $V_{DDQ} \times 0.4$   | $V_{DDQ} \times 0.5$  | $V_{DDQ} \times 0.6$   | V    |
| $V_{OX}$                          | HSTL/SSTL output voltage cross-point                                                 | –                      | $V_{DDQ} \times 0.5$  | –                      | V    |
| $V_{OUT(AC)}$                     | HSTL/SSTL AC output voltage                                                          | –0.24                  | –                     | $V_{DDQ} + 0.24$       | V    |
| $V_{OUT(DC)}$                     | HSTL/SSTL DC output voltage                                                          | –0.15                  | –                     | $V_{DDQ} + 0.15$       | V    |
| $I_X$ <sup>[8]</sup>              | HSTL/SSTL input leakage current                                                      | –                      | –                     | 200                    | μA   |
| $I_{OZ}$ <sup>[8]</sup>           | HSTL/SSTL output leakage current                                                     | –                      | –                     | 200                    | μA   |
| $I_{DD}$ <sup>[9, 10]</sup>       | $V_{DD}$ operating supply (1066 MHz, × 18)                                           | –                      | 2800                  | 4100                   | mA   |
|                                   | $V_{DD}$ operating supply (1066 MHz, × 36)                                           | –                      | 3920                  | 4500                   | mA   |
|                                   | $V_{DD}$ operating supply (933 MHz, × 18)                                            | –                      | 2520                  | 3400                   | mA   |
|                                   | $V_{DD}$ operating supply (933 MHz, × 36)                                            | –                      | 3520                  | 4000                   | mA   |

**Notes**

8. Output driver into High Z with ODT disabled.
9. The operation current is calculated with 50% read cycle and 50% write cycle.
10. Typical operation current specifications are tested at 1.3V  $V_{DD}$ .
11. All voltages referenced to VSS (GND).
12. Peak to Peak AC noise on  $V_{REF}$  must not exceed +/-2%  $V_{DDQ(DC)}$ .
13.  $V_{IH}/V_{IL(DC)}$  are specified with ODT disabled.
14.  $V_{IH}/V_{IL(AC)}$  is a test condition specified to guarantee at which the receiver must meet its timing specifications with ODT enabled.

## Capacitance

Table 20. Capacitance

| Parameter <sup>[15]</sup> | Description        | Test Conditions                                                                       | Max | Unit |
|---------------------------|--------------------|---------------------------------------------------------------------------------------|-----|------|
| C <sub>IN</sub>           | Input capacitance  | T <sub>A</sub> = 25 °C, f = 1 MHz, V <sub>DD</sub> = 1.3 V, V <sub>DDQ</sub> = 1.25 V | 4   | pF   |
| C <sub>O</sub>            | Output capacitance |                                                                                       | 4   | pF   |

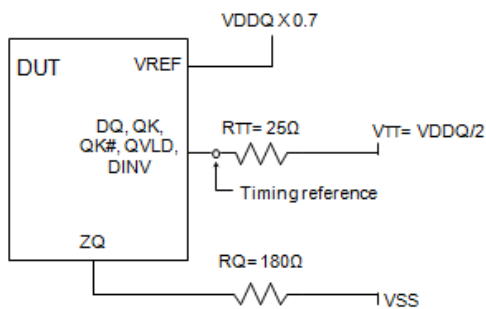
## Thermal Resistance

Table 21. Thermal Resistance

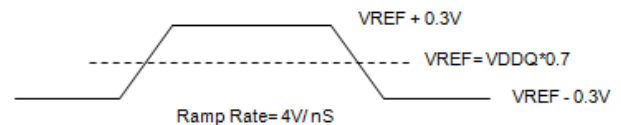
| Parameter <sup>[15]</sup> | Description                              | Test Conditions                                                                                                             | 361-ball FCBGA Package | Unit       |
|---------------------------|------------------------------------------|-----------------------------------------------------------------------------------------------------------------------------|------------------------|------------|
| Θ <sub>JA</sub>           | Thermal resistance (junction to ambient) | Test conditions follow standard test methods and procedures for measuring thermal impedance, in accordance with EIA/JESD51. | With Still Air (0 m/s) | 12.00 °C/W |
|                           |                                          |                                                                                                                             | With Air Flow (1 m/s)  | 10.57 °C/W |
|                           |                                          |                                                                                                                             | With Air Flow (3 m/s)  | 9.09 °C/W  |
| Θ <sub>JB</sub>           | Thermal resistance (junction to board)   |                                                                                                                             | 3.03                   | °C/W       |
| Θ <sub>JC</sub>           | Thermal resistance (junction to case)    |                                                                                                                             | 0.029                  | °C/W       |

## AC Test Load and Waveform

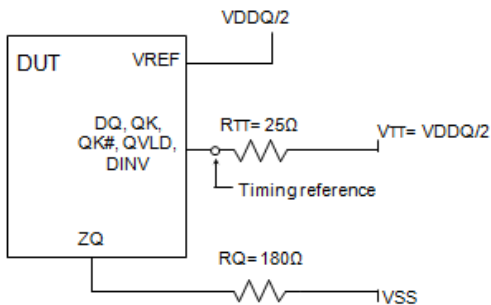
Figure 7. AC Test Load and Waveform



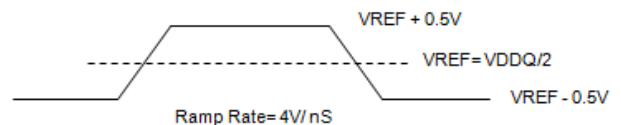
(a). Output AC Test Load (POD I/O)



(b). POD Input Waveforms



(c). Output AC Test Load (HSTL/SSTL I/O)



(d). HSTL/SSTL Input Waveforms

**Note**

15. Tested initially and after any design or process change that may affect these parameters.

## Switching Characteristics

Over the Operating Range [16, 17, 18, 19, 20, 21, 22, 23]

| Cypress Parameter        | Description                                                                                   | 1066 MHz |       | 933 MHz |       | Unit            |
|--------------------------|-----------------------------------------------------------------------------------------------|----------|-------|---------|-------|-----------------|
|                          |                                                                                               | Min      | Max   | Min     | Max   |                 |
| t <sub>CK</sub>          | CK, DKx, QKx clock period                                                                     | 0.938    | 3.333 | 1.071   | 3.333 | ns              |
| t <sub>CKL</sub>         | CK, DKx LOW time                                                                              | 0.45*    | –     | 0.45*   | –     | t <sub>CK</sub> |
| t <sub>CKH</sub>         | CK, DKx HIGH time                                                                             | 0.45*    | –     | 0.45*   | –     | t <sub>CK</sub> |
| t <sub>JIT(per)</sub>    | Clock period jitter                                                                           | –0.055   | 0.055 | –0.060  | 0.060 | ns              |
| t <sub>JIT(cc)</sub>     | Cycle-to-cycle jitter                                                                         | –        | 0.110 | –       | 0.120 | ns              |
| t <sub>AS</sub>          | A to CK setup                                                                                 | 0.125    | –     | 0.135   | –     | ns              |
| t <sub>AH</sub>          | CK to A hold                                                                                  | 0.125    | –     | 0.135   | –     | ns              |
| t <sub>ASH</sub>         | CK to A setup-hold window                                                                     | 0.170    | –     | 0.180   | –     | ns              |
| t <sub>CS</sub>          | LDx#, RWx# to CK setup                                                                        | 0.150    | –     | 0.180   | –     | ns              |
| t <sub>CH</sub>          | CK to LDx#, RWx# hold                                                                         | 0.150    | –     | 0.180   | –     | ns              |
| t <sub>CSH</sub>         | CK to LDx#, RWx# setup-hold window                                                            | 0.170    | –     | 0.180   | –     | ns              |
| t <sub>CKDK</sub>        | CK to DKx skew                                                                                | –0.15    | 0.15  | –0.172  | 0.172 | ns              |
| t <sub>IS</sub>          | DQx, DINVx to DKx setup                                                                       | 0.125    | –     | 0.135   | –     | ns              |
| t <sub>IH</sub>          | DKx to DQx, DINVx hold                                                                        | 0.125    | –     | 0.135   | –     | ns              |
| t <sub>ISH0</sub>        | DKx[0] to DQx[17:0], DINVx[0] (×36) or DKx[0] to DQx[8:0], DINVx[0] (×18) setup-hold window   | 0.150    | –     | 0.180   | –     | ns              |
| t <sub>ISH1</sub>        | DKx[1] to DQx[35:18], DINVx[1] (×36) or DKx[1] to DQx[17:9], DINVx[1] (×18) setup-hold window | 0.150    | –     | 0.180   | –     | ns              |
| t <sub>Rise (se)</sub>   | Single-ended output signal rise time 20%-80%                                                  | 2        | 6     | 2       | 6     | V/ns            |
| t <sub>Fall (se)</sub>   | Single-ended output signal fall time 20%-80%                                                  | 2        | 6     | 2       | 6     | V/ns            |
| t <sub>Rise (diff)</sub> | Differential output signal rise time 20%-80%                                                  | 3        | 10    | 3       | 10    | V/ns            |
| t <sub>Fall (diff)</sub> | Differential output signal fall time 20%-80%                                                  | 3        | 10    | 3       | 10    | V/ns            |
| t <sub>QKL</sub>         | QKx LOW time                                                                                  | 0.45*    | –     | 0.45*   | –     | t <sub>CK</sub> |
| t <sub>QKH</sub>         | QKx HIGH time                                                                                 | 0.45*    | –     | 0.45*   | –     | t <sub>CK</sub> |
| t <sub>CKQK</sub>        | CK to QKx skew                                                                                | –0.225   | 0.225 | –0.257  | 0.257 | ns              |
| t <sub>QKQ0</sub>        | QKx[0] to DQx[17:0], DINVx[0] (×36) or QKx[0] to DQx[8:0], DINVx[0] (×18)                     | –        | 0.075 | –       | 0.085 | ns              |
| t <sub>QH0</sub>         | QKx[0] to DQx[17:0], DINVx[0] (×36) or QKx[0] to DQx[8:0], DINVx[0] (×18)                     | 0.40*    | –     | 0.40*   | –     | t <sub>CK</sub> |
| t <sub>QKQ1</sub>        | QKx[1] to DQx[35:18], DINVx[1] (×36) or QKx[1] to DQx[17:9], DINVx[1] (×18)                   | –        | 0.075 | –       | 0.085 | ns              |
| t <sub>QH1</sub>         | QKx[1] to DQx[35:18], DINVx[1] (×36) or QKx[1] to DQx[17:9], DINVx[1] (×18)                   | 0.40*    | –     | 0.40*   | –     | t <sub>CK</sub> |

### Notes

16. x refers to Port A and Port B. For example, DQx refers to DQA and DQB.
17. Input hold timing assumes rising edge slew rate of 4 V/ns measured from V<sub>IL</sub>/V<sub>IH</sub> (DC) to V<sub>REF</sub>.
18. Input setup timing assumes falling edge slew rate of 4 V/ns measured from V<sub>REF</sub> to V<sub>IL</sub>/V<sub>IH</sub> (AC).
19. All output timing assumes the load shown in Figure 7 on page 32.
20. Setup/hold window. t<sub>ASH</sub>, t<sub>CSH</sub>, t<sub>ISH</sub> are used for pin to pin timing budgeting and cannot be directly applied without performing de-skew training.
21. Clock phase jitter is the variance from clock rising edge to the next expected clock rising edge.
22. Frequency drift is not allowed.
23. t<sub>QKL</sub>, t<sub>QKH</sub>, t<sub>QKQ</sub>, t<sub>QKQX</sub>, t<sub>ASH</sub>, t<sub>CSH</sub> and t<sub>ISH</sub> are guaranteed by design.

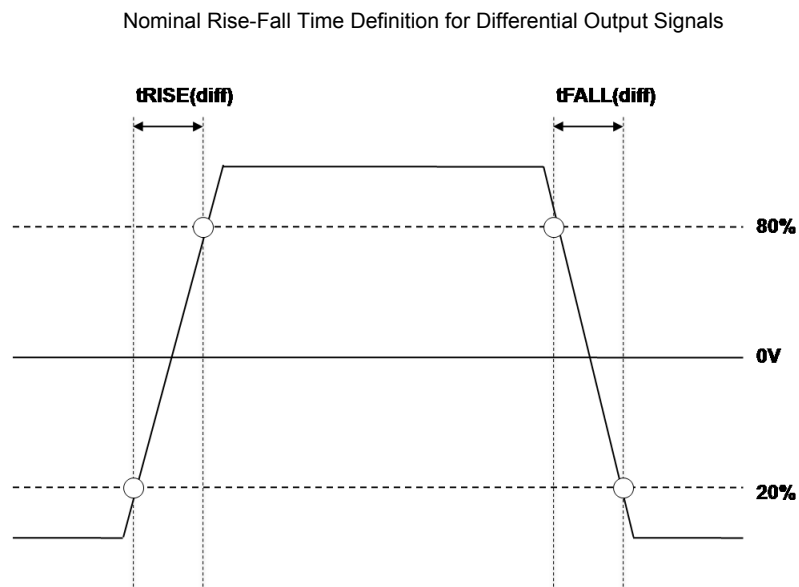
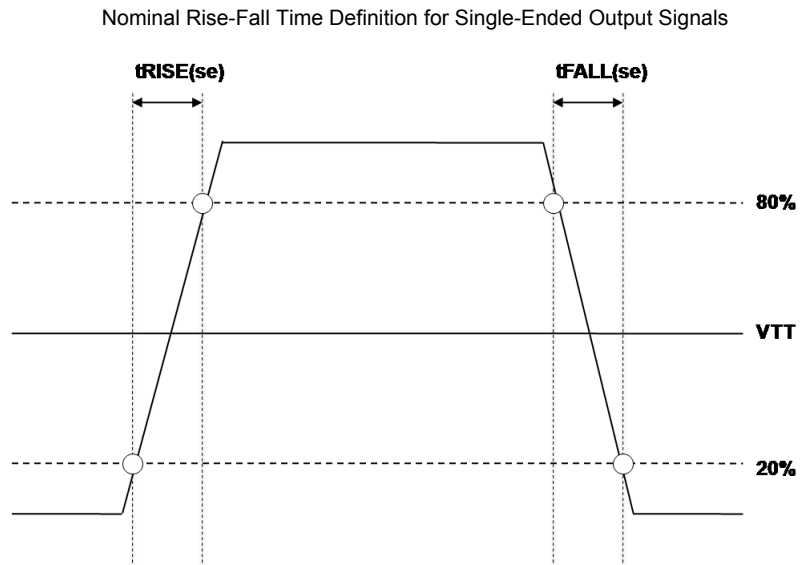
**Switching Characteristics** (continued)

Over the Operating Range [16, 17, 18, 19, 20, 21, 22, 23]

| Cypress Parameter  | Description                                                                              | 1066 MHz |       | 933 MHz |       | Unit            |
|--------------------|------------------------------------------------------------------------------------------|----------|-------|---------|-------|-----------------|
|                    |                                                                                          | Min      | Max   | Min     | Max   |                 |
| t <sub>QKQV0</sub> | QKx[0] to QVLDx                                                                          | –        | 0.112 | –       | 0.128 | ns              |
| t <sub>QVH0</sub>  | QKx[0] to QVLDx                                                                          | 0.85*    | –     | 0.85*   | –     | t <sub>CK</sub> |
| t <sub>QKQV1</sub> | QKx[1] to QVLDx                                                                          | –        | 0.112 | –       | 0.128 | ns              |
| t <sub>QVH1</sub>  | QKx[1] to QVLDx                                                                          | 0.85*    | –     | 0.85*   | –     | t <sub>CK</sub> |
| t <sub>PWR</sub>   | V <sub>DD</sub> (Typical) to the first access                                            | 200      | –     | 200     | –     | ms              |
| t <sub>RSS</sub>   | RST# pulse width                                                                         | 200      | –     | 200     | –     | μs              |
| t <sub>RSH</sub>   | RST# deasserted to first active command                                                  | 400000*  | –     | 400000* | –     | t <sub>CK</sub> |
| t <sub>RDS</sub>   | A to RST# setup                                                                          | 500*     | –     | 500*    | –     | t <sub>CK</sub> |
| t <sub>RDH</sub>   | A to RST# hold                                                                           | 500*     | –     | 500*    | –     | t <sub>CK</sub> |
| t <sub>TSS</sub>   | TRST# pulse width                                                                        | 200      | –     | 200     | –     | μs              |
| t <sub>TSH</sub>   | TRST# deasserted to first JTAG command                                                   | 200      | –     | 200     | –     | μs              |
| t <sub>PLL</sub>   | Time for PLL to stabilize after being reset                                              | –        | 100   | –       | 100   | μs              |
| t <sub>LBL</sub>   | Loopback latency                                                                         | 16*      | 16*   | 16*     | 16*   | t <sub>CK</sub> |
| t <sub>CD</sub>    | Loopback output delay                                                                    | –        | 5     | –       | 5     | ns              |
| t <sub>CFGs</sub>  | Active mode to Configuration mode                                                        | 32*      | –     | 32*     | –     | t <sub>CK</sub> |
| t <sub>CFGH</sub>  | Configuration mode to Active mode Register Access without ODT or PLL programming updates | 32*      | –     | 32*     | –     | t <sub>CK</sub> |
| t <sub>CFGH</sub>  | Configuration mode to Active mode Register Access with ODT programming updates           | 4096*    | –     | 4096*   | –     | t <sub>CK</sub> |
| t <sub>CFGH</sub>  | Configuration mode to Active mode Register Access with PLL programming updates           | 100      | –     | 100     | –     | μs              |
| t <sub>CFGD</sub>  | Configuration command to Configuration command                                           | 80*      | –     | 80*     | –     | t <sub>CK</sub> |
| t <sub>CLDS</sub>  | CFG# assertion to LDA# assertion                                                         | 32*      | –     | 32*     | –     | t <sub>CK</sub> |
| t <sub>CLDH</sub>  | LDA# deassertion to CFG# deassertion                                                     | 32*      | –     | 32*     | –     | t <sub>CK</sub> |
| t <sub>CFGA</sub>  | CFG# assertion to Address assertion                                                      | 16*      | –     | 16*     | –     | t <sub>CK</sub> |
| t <sub>CLDW</sub>  | LDA# pulse width for Configuration command                                               | 16*      | –     | 16*     | –     | t <sub>CK</sub> |
| t <sub>CRDL</sub>  | LDA# assertion to Read Data Latency                                                      | –        | 32*   | –       | 32*   | t <sub>CK</sub> |
| t <sub>CRDH</sub>  | CFG# deassertion to Read Data Hold                                                       | 0*       | 32*   | 0*      | 32*   | t <sub>CK</sub> |
| t <sub>DQVLD</sub> | DQAx to QVLDx<0> in Configuration mode                                                   | –2       | 2     | –2      | 2     | t <sub>CK</sub> |

## Switching Waveforms

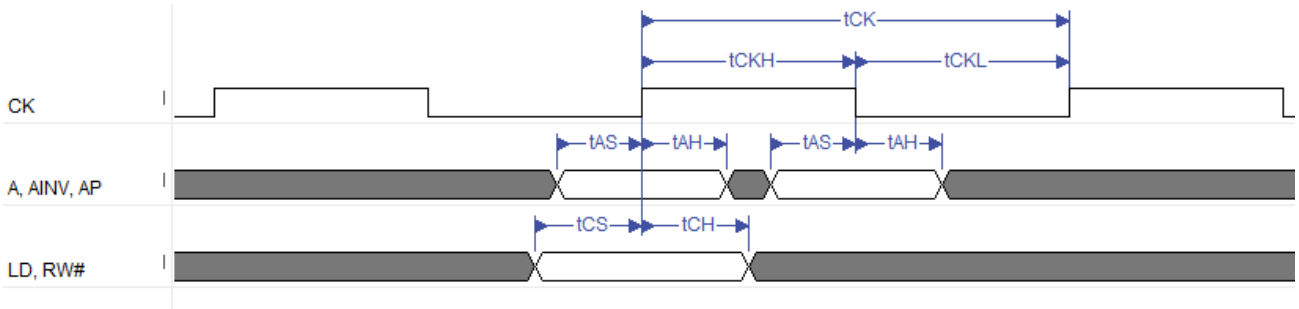
Figure 8. Rise and Fall Time Definitions for Output Signals



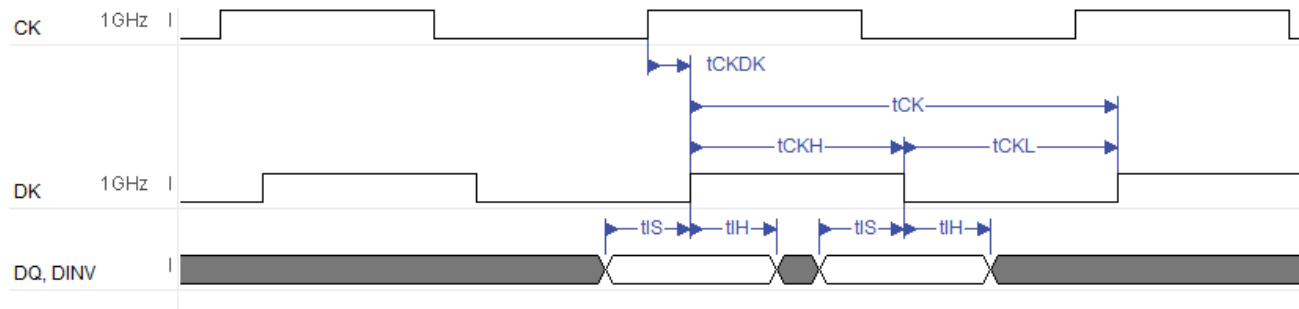
Switching Waveforms (continued)

Figure 9. Input and Output Timing Waveforms

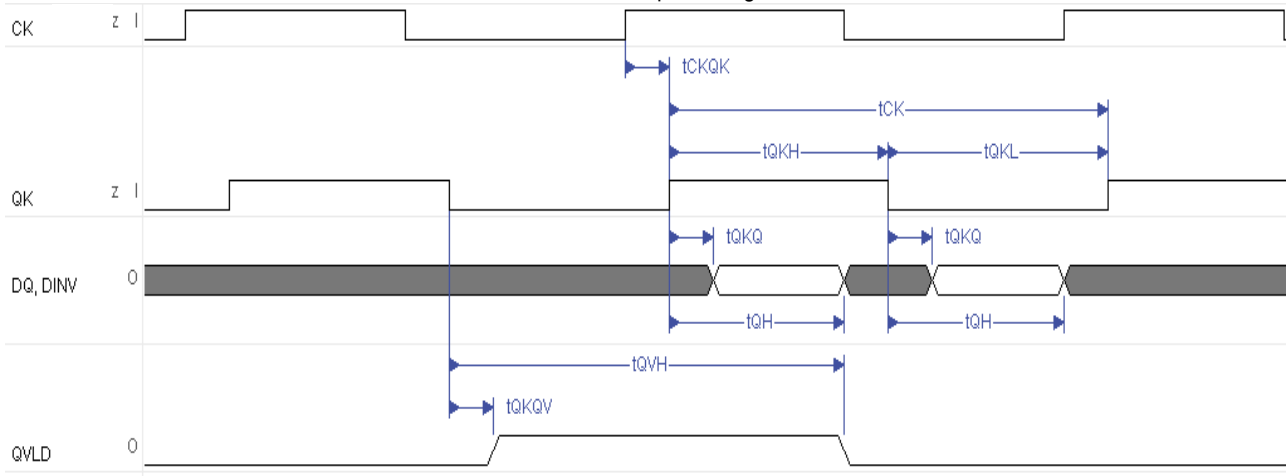
Address and Command Input Timing



Data Input Timing



Data Output Timing



Switching Waveforms (continued)

Figure 10. Waveforms for 8.0 Cycle Read Latency (Read to Write Timing Waveform)

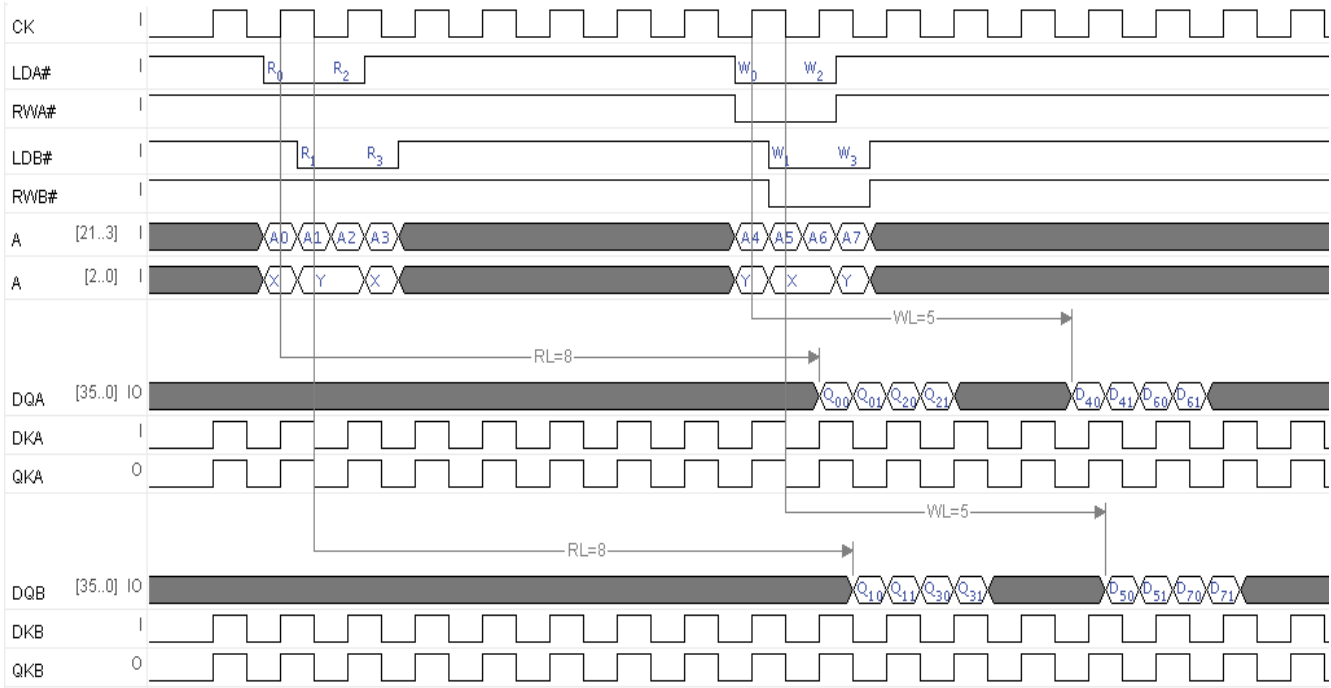
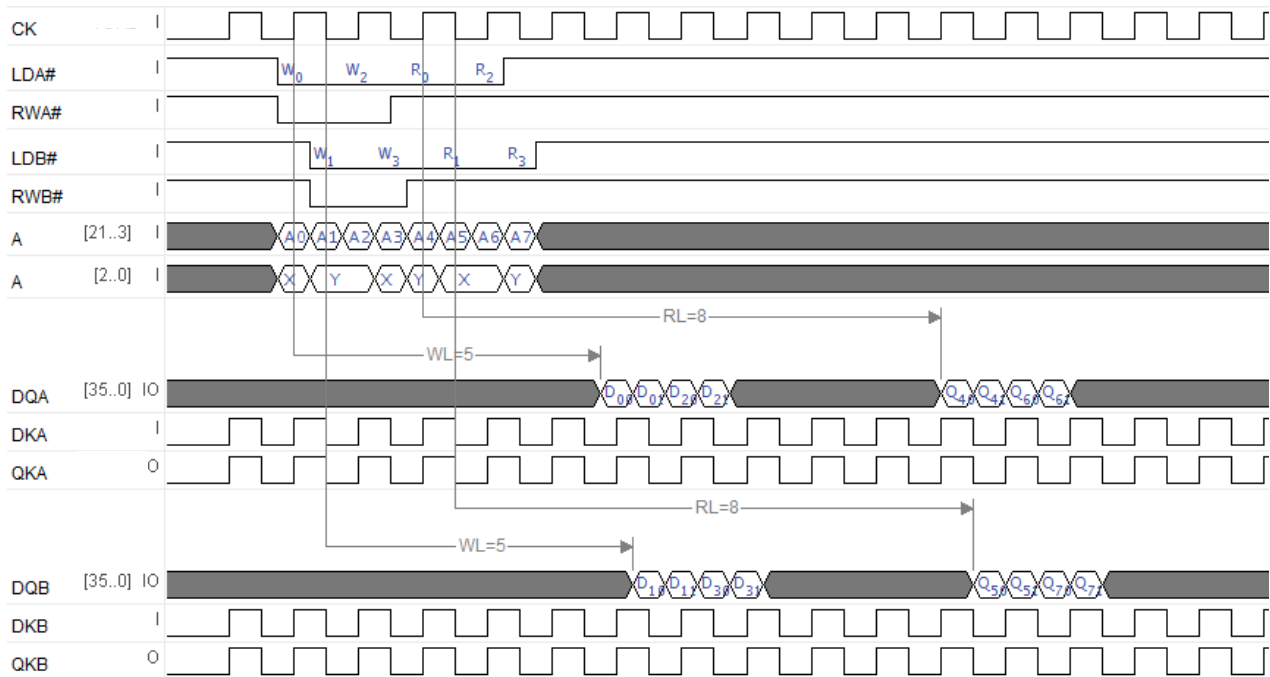


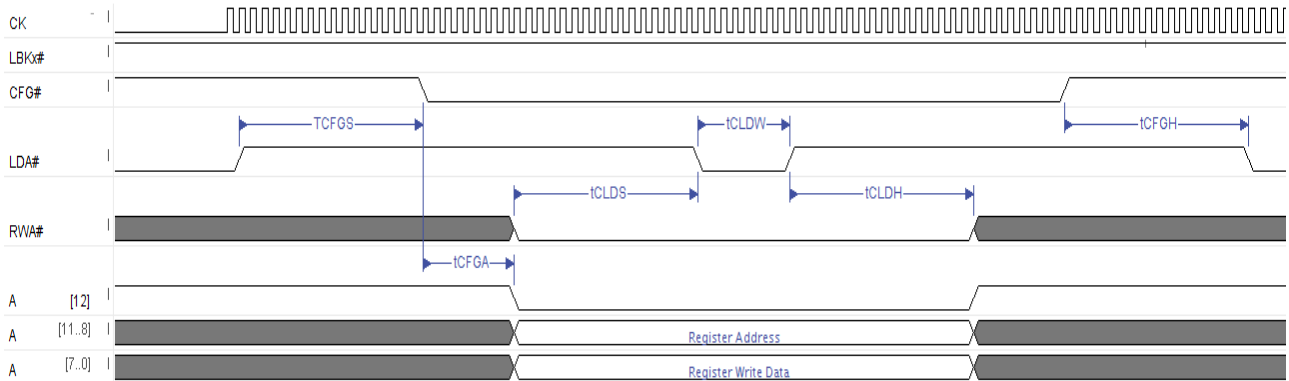
Figure 11. Waveforms for 8.0 Cycle Read Latency (Write to Read Timing Waveform)





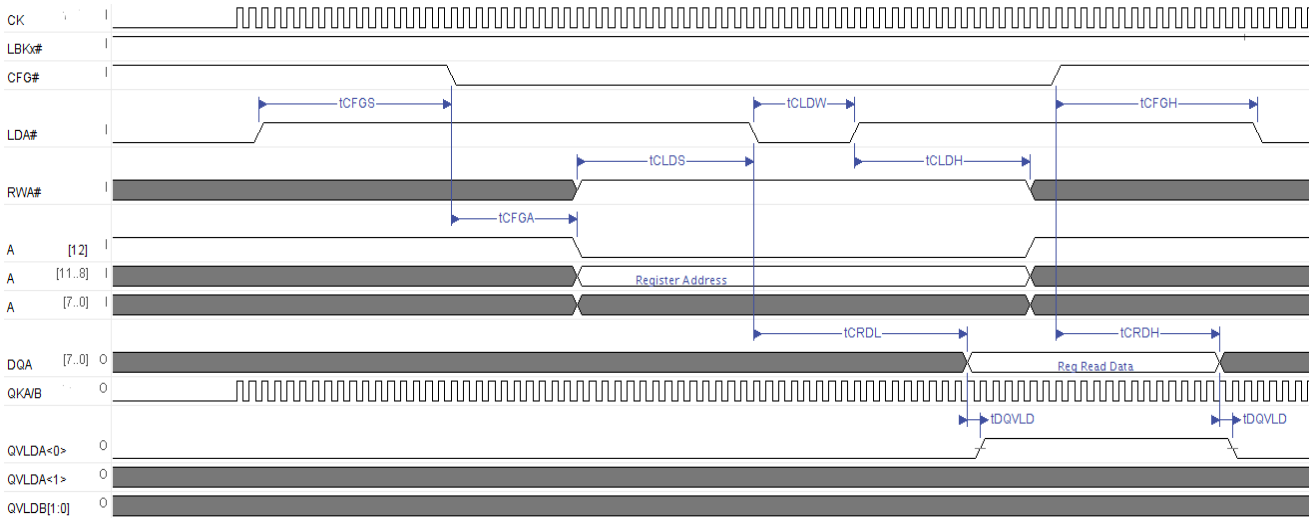
Switching Waveforms (continued)

Figure 12. Configuration Write Timing Waveform



Note: It is recommended to keep CFG# asserted during the configuration write or read operation

Figure 13. Configuration Read Timing Waveform

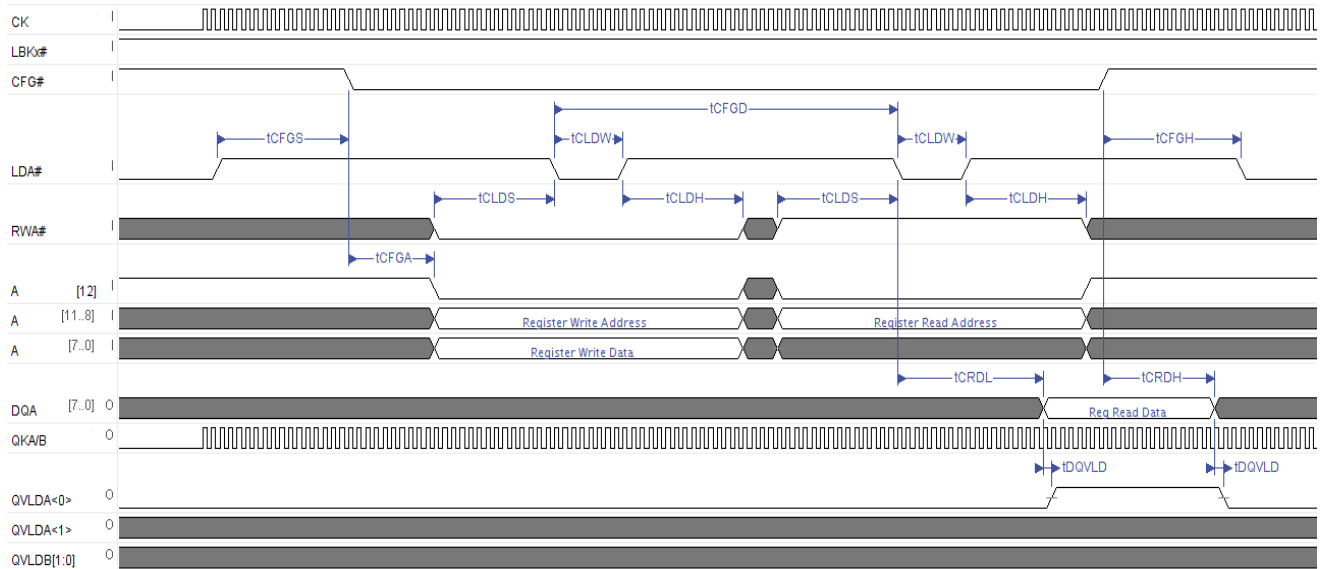


Note: DQA[x:8] and DQB data bus is a don't care in Configuration Mode  
 Note: It is recommended to keep CFG# asserted during the configuration write or read operation

Switching Waveforms (continued)

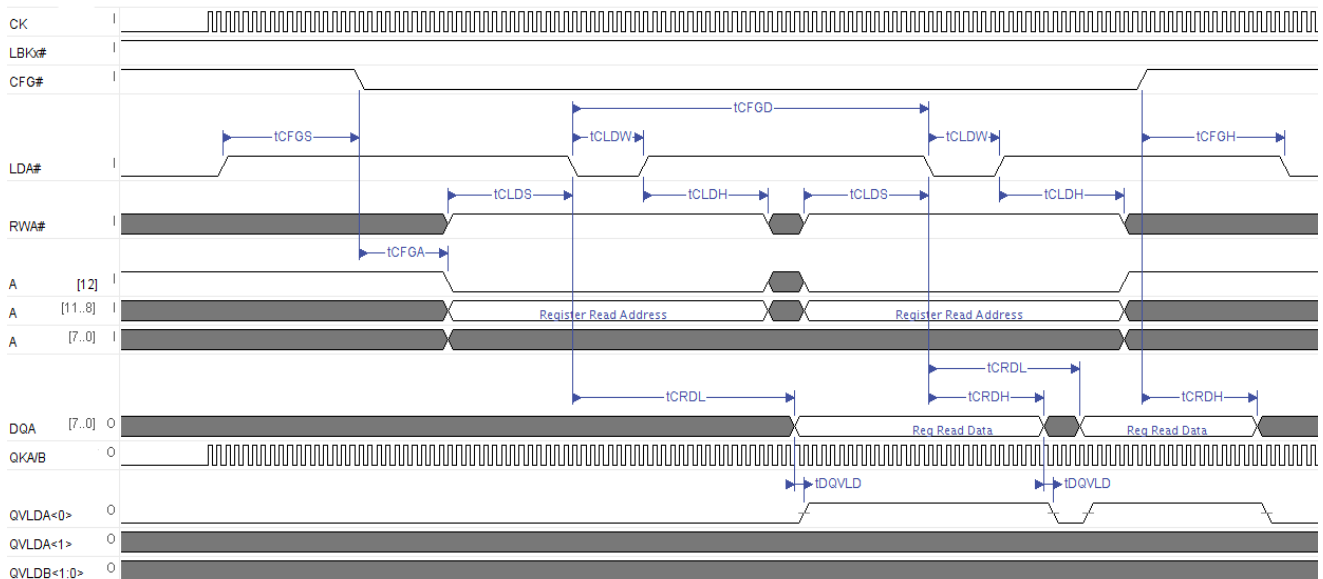
Figure 14. Configuration Write and Read Timing Waveform

(a) Configuration Multiple Cycle - Write followed by Read Operation



Note: DQA[x:8] and DQB data bus is a don't care in Configuration Mode  
 Note: It is recommended to keep CFG# asserted during the configuration write or read operation

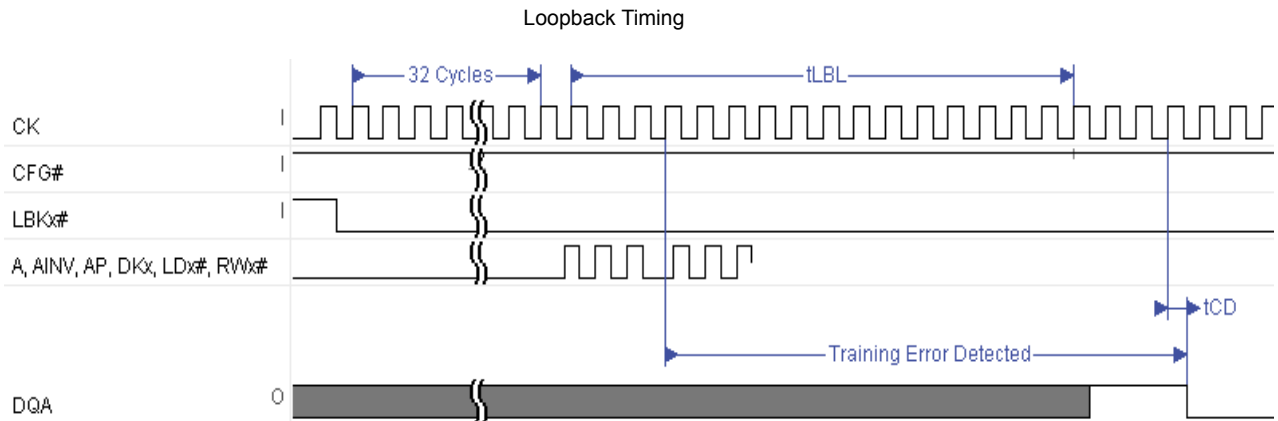
(b) Configuration Multiple Cycle - Back to Back Read Operation



Note: DQA[x:8] and DQB data bus is a don't care in Configuration Mode  
 Note: It is recommended to keep CFG# asserted during the configuration write or read operation

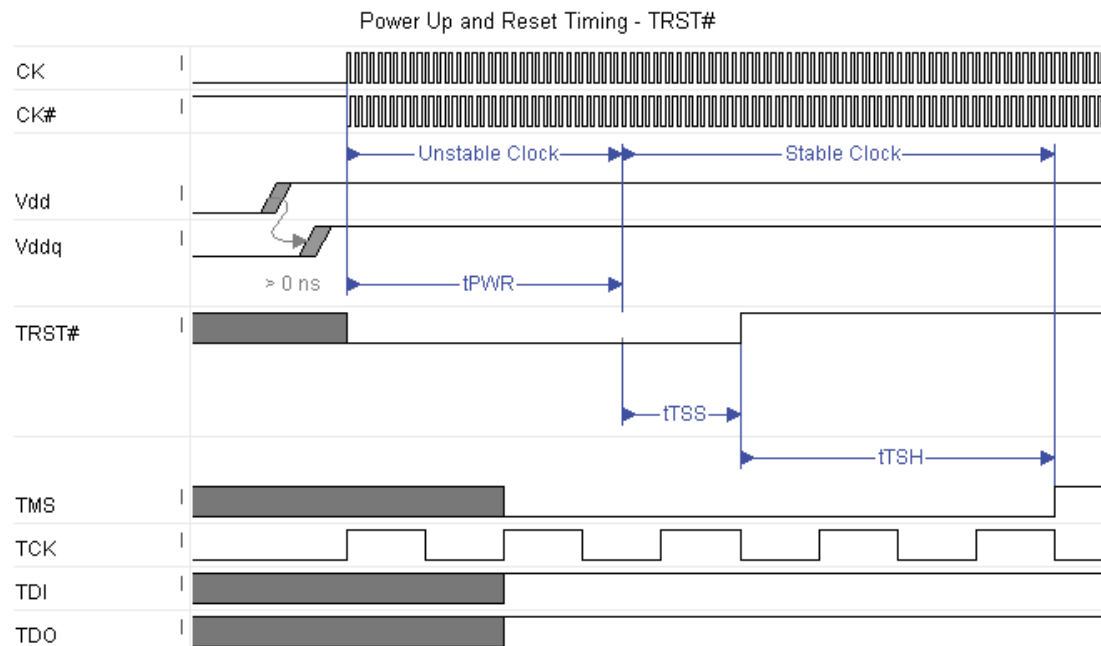
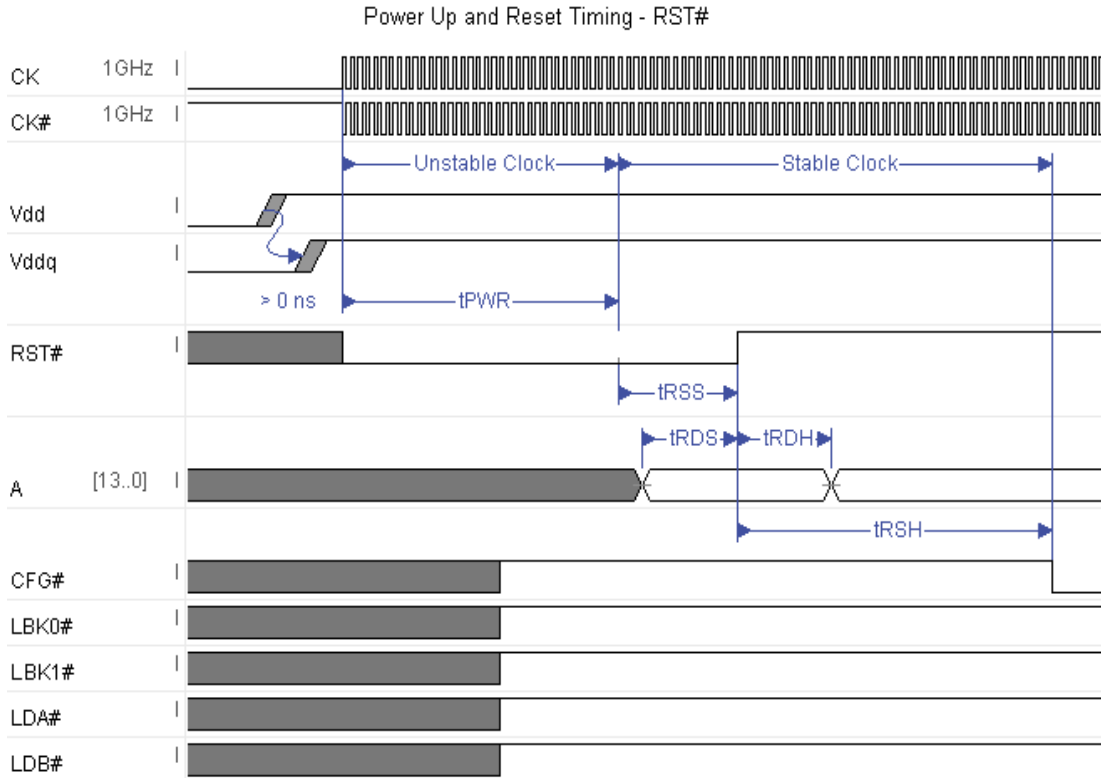
**Switching Waveforms** (continued)

**Figure 15. Loopback Timing**



Switching Waveforms (continued)

Figure 16. Reset Timings



## Ordering Information

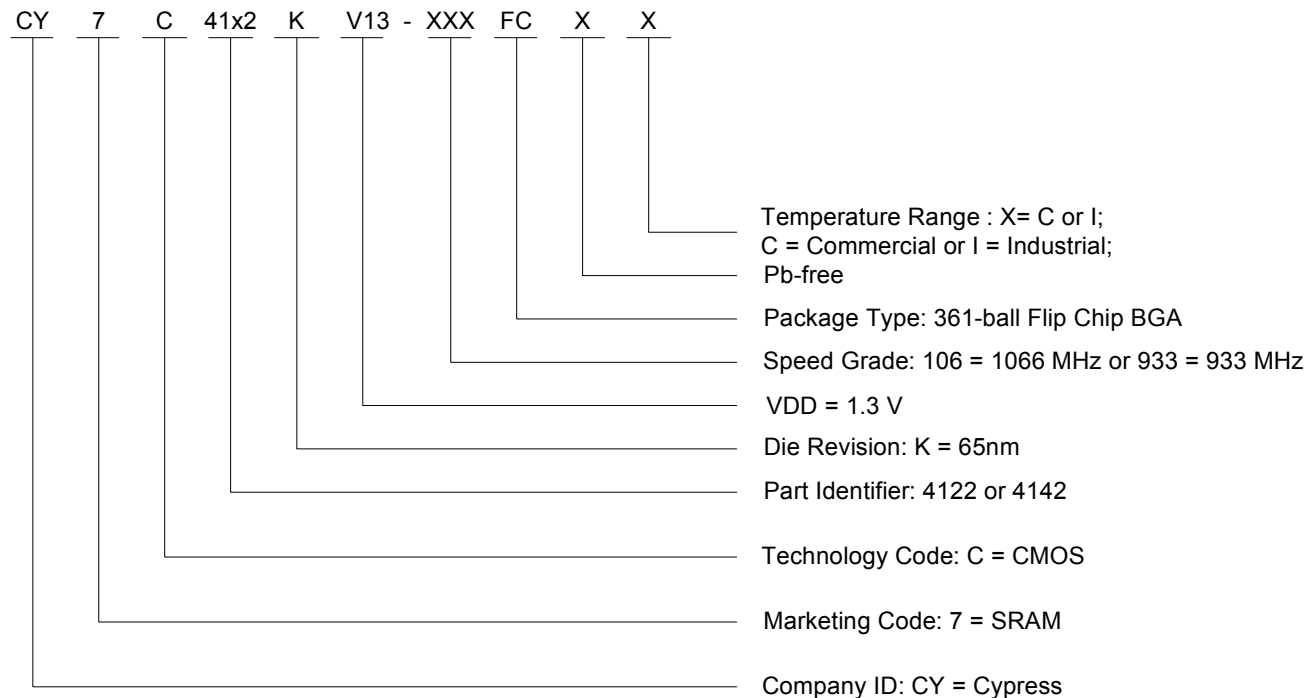
Table 22 contains only the parts that are currently available. If you do not see what you are looking for, contact your local sales representative. For more information, visit the Cypress website at [www.cypress.com](http://www.cypress.com) and refer to the product summary page at <http://www.cypress.com/products>

Cypress maintains a worldwide network of offices, solution centers, manufacturer’s representatives and distributors. To find the office closest to you, visit us at <http://www.cypress.com/go/datasheet/offices>.

**Table 22. Ordering Information**

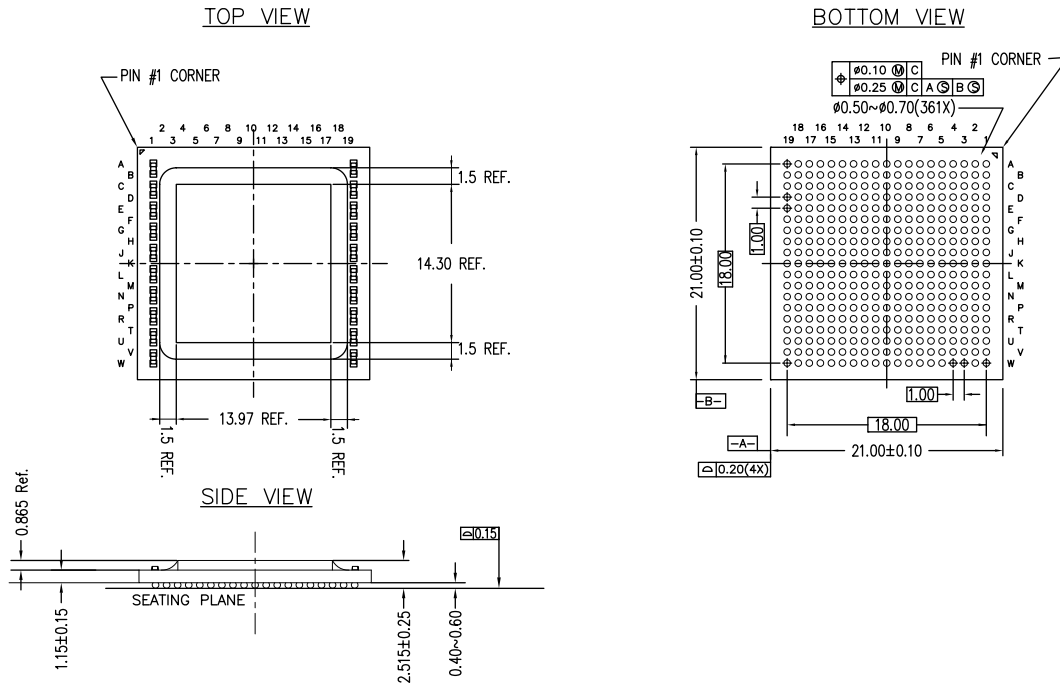
| Speed (MHz) | Ordering Code        | Package Diagram | Package Type                                | Operating Range |
|-------------|----------------------|-----------------|---------------------------------------------|-----------------|
| 1066        | CY7C4122KV13-106FCXC | 001-70319       | 361-ball FCBGA (21 × 21 × 2.515 mm) Pb-free | Commercial      |
|             | CY7C4142KV13-106FCXC |                 |                                             |                 |
| 933         | CY7C4122KV13-933FCXC | 001-70319       | 361-ball FCBGA (21 × 21 × 2.515 mm) Pb-free | Commercial      |
|             | CY7C4142KV13-933FCXC |                 |                                             |                 |
|             | CY7C4122KV13-933FCXI |                 |                                             | Industrial      |
|             | CY7C4142KV13-933FCXI |                 |                                             |                 |

### Ordering Code Definitions



Package Diagram

Figure 17. 361-ball FCBGA (21 × 21 × 2.515 mm) FR0AA Package Outline, 001-70319



NOTES:  
 ALL DIMENSIONS ARE IN MILLIMETERS  
 SOLDER BALL DIAMETER: 0.63  
 SOLDER PAD TYPE: SOLDER MASK DEFINED (SMD)  
 PACKAGE CODE: FR0AA

001-70319 \*D

## Acronyms

**Table 23. Acronyms used in this document**

| Acronym | Description                                |
|---------|--------------------------------------------|
| DDR     | Double Data Rate                           |
| RTR     | Random Transaction Rate                    |
| EIA     | Electronic Industries Alliance             |
| EMI     | Electromagnetic Interference               |
| FCBGA   | Flip-Chip Ball Grid Array                  |
| I/O     | Input/Output                               |
| JEDEC   | Joint Electron Devices Engineering Council |
| JTAG    | Joint Test Action Group                    |
| LMBU    | Logical Multiple Bit Upset                 |
| LSB     | Least Significant Bit                      |
| LSBU    | Logical Single Bit Upset                   |
| MSB     | Most Significant Bit                       |
| ODT     | On-Die Termination                         |
| PLL     | Phase Locked Loop                          |
| QDR     | Quad Data Rate                             |
| SDR     | Single Data Rate                           |
| SEL     | Single Event Latch-up                      |
| SER     | Soft Error Rate                            |
| SRAM    | Static Random Access Memory                |
| TAP     | Test Access Port                           |
| TCK     | Test Clock                                 |
| TDI     | Test Data-In                               |
| TDO     | Test Data-Out                              |
| TMS     | Test Mode Select                           |

## Document Conventions

### Units of Measure

**Table 24. Units of Measure**

| Symbol | Unit of Measure |
|--------|-----------------|
| °C     | degree Celsius  |
| MHz    | megahertz       |
| μA     | microampere     |
| μs     | microsecond     |
| mA     | milliampere     |
| mm     | millimeter      |
| ms     | millisecond     |
| mV     | millivolt       |
| ns     | nanosecond      |
| Ω      | ohm             |
| %      | percent         |
| pF     | picofarad       |
| V      | volt            |
| W      | watt            |

Document History Page

| Document Title: CY7C4122KV13/CY7C4142KV13, 144-Mbit QDR™-IV XP SRAM<br>Document Number: 001-68255 |         |                 |                 |                                                                                                                                                                                                                                                                                                                                                                                                                                                                                                                                                |
|---------------------------------------------------------------------------------------------------|---------|-----------------|-----------------|------------------------------------------------------------------------------------------------------------------------------------------------------------------------------------------------------------------------------------------------------------------------------------------------------------------------------------------------------------------------------------------------------------------------------------------------------------------------------------------------------------------------------------------------|
| Rev.                                                                                              | ECN     | Submission Date | Orig. of Change | Description of Change                                                                                                                                                                                                                                                                                                                                                                                                                                                                                                                          |
| *J                                                                                                | 4283232 | 03/25/2014      | PRIT            | Post to web.                                                                                                                                                                                                                                                                                                                                                                                                                                                                                                                                   |
| *K                                                                                                | 4410859 | 06/17/2014      | PRIT            | Updated <a href="#">AC Test Load and Waveform</a> :<br>Updated <a href="#">Figure 7</a> (Changed value of RQ resistor from 200 Ω to 180 Ω).<br><br>Updated <a href="#">Switching Characteristics</a> :<br>Added $t_{ASH}$ , $t_{CSH}$ , $t_{ISH}$ parameters and their details.<br>Updated Note 20 and 23.<br><br>Completing Sunset Review.                                                                                                                                                                                                    |
| *L                                                                                                | 4502995 | 09/15/2014      | PRIT            | Updated <a href="#">Switching Characteristics</a> :<br>Updated Note 23.<br><br>Updated <a href="#">Package Diagram</a> :<br>spec 001-70319 – Changed revision from *C to *D.                                                                                                                                                                                                                                                                                                                                                                   |
| *M                                                                                                | 4573944 | 11/19/2014      | PRIT            | Updated <a href="#">Functional Description</a> :<br>Added “For a complete list of related resources, <a href="#">click here.</a> ” at the end.<br><br>Added Errata.                                                                                                                                                                                                                                                                                                                                                                            |
| *N                                                                                                | 4710814 | 04/02/2015      | PRIT            | Updated <a href="#">Operating Range</a> :<br>Replaced “Case Temperature ( $T_C$ )” with “Ambient Temperature ( $T_A$ )” in column heading.                                                                                                                                                                                                                                                                                                                                                                                                     |
| *O                                                                                                | 4951439 | 10/07/2015      | PRIT            | Added Industrial Temperature Range related information in all instances across the document.<br>Updated <a href="#">Logic Block Diagram – CY7C4142KV13</a> .<br>Updated <a href="#">Switching Characteristics</a> :<br>Changed maximum value of $t_{CK}$ parameter from 1.875 ns to 3.333 ns for 1066 MHz speed bin.<br>Changed maximum value of $t_{CK}$ parameter from 2.143 ns to 3.333 ns for 933 MHz speed bin.<br>Updated <a href="#">Ordering Information</a> :<br>Updated part numbers.<br>Removed Errata.<br>Updated to new template. |
| *P                                                                                                | 5381153 | 07/29/2016      | PRIT            | Added tCFG parameter in <a href="#">Switching Characteristics</a><br>Updated <a href="#">Figure 12</a> , <a href="#">Figure 13</a> , and <a href="#">Figure 14</a> .                                                                                                                                                                                                                                                                                                                                                                           |
| *Q                                                                                                | 5705963 | 04/21/2017      | AESATMP7        | Updated Cypress Logo and Copyright.                                                                                                                                                                                                                                                                                                                                                                                                                                                                                                            |



## Sales, Solutions, and Legal Information

### Worldwide Sales and Design Support

Cypress maintains a worldwide network of offices, solution centers, manufacturer's representatives, and distributors. To find the office closest to you, visit us at [Cypress Locations](#).

#### Products

|                               |                                                                    |
|-------------------------------|--------------------------------------------------------------------|
| ARM® Cortex® Microcontrollers | <a href="http://cypress.com/arm">cypress.com/arm</a>               |
| Automotive                    | <a href="http://cypress.com/automotive">cypress.com/automotive</a> |
| Clocks & Buffers              | <a href="http://cypress.com/clocks">cypress.com/clocks</a>         |
| Interface                     | <a href="http://cypress.com/interface">cypress.com/interface</a>   |
| Internet of Things            | <a href="http://cypress.com/iot">cypress.com/iot</a>               |
| Memory                        | <a href="http://cypress.com/memory">cypress.com/memory</a>         |
| Microcontrollers              | <a href="http://cypress.com/mcu">cypress.com/mcu</a>               |
| PSoC                          | <a href="http://cypress.com/psoc">cypress.com/psoc</a>             |
| Power Management ICs          | <a href="http://cypress.com/pmic">cypress.com/pmic</a>             |
| Touch Sensing                 | <a href="http://cypress.com/touch">cypress.com/touch</a>           |
| USB Controllers               | <a href="http://cypress.com/usb">cypress.com/usb</a>               |
| Wireless Connectivity         | <a href="http://cypress.com/wireless">cypress.com/wireless</a>     |

#### PSoC® Solutions

[PSoC 1](#) | [PSoC 3](#) | [PSoC 4](#) | [PSoC 5LP](#) | [PSoC 6](#)

#### Cypress Developer Community

[Forums](#) | [WICED IoT Forums](#) | [Projects](#) | [Video](#) | [Blogs](#) | [Training](#) | [Components](#)

#### Technical Support

[cypress.com/support](http://cypress.com/support)

All other trademarks or registered trademarks referenced herein are the property of their respective owners.

© Cypress Semiconductor Corporation, 2011-2017. This document is the property of Cypress Semiconductor Corporation and its subsidiaries, including Spansion LLC ("Cypress"). This document, including any software or firmware included or referenced in this document ("Software"), is owned by Cypress under the intellectual property laws and treaties of the United States and other countries worldwide. Cypress reserves all rights under such laws and treaties and does not, except as specifically stated in this paragraph, grant any license under its patents, copyrights, trademarks, or other intellectual property rights. If the Software is not accompanied by a license agreement and you do not otherwise have a written agreement with Cypress governing the use of the Software, then Cypress hereby grants you a personal, non-exclusive, nontransferable license (without the right to sublicense) (1) under its copyright rights in the Software (a) for Software provided in source code form, to modify and reproduce the Software solely for use with Cypress hardware products, only internally within your organization, and (b) to distribute the Software in binary code form externally to end users (either directly or indirectly through resellers and distributors), solely for use on Cypress hardware product units, and (2) under those claims of Cypress's patents that are infringed by the Software (as provided by Cypress, unmodified) to make, use, distribute, and import the Software solely for use with Cypress hardware products. Any other use, reproduction, modification, translation, or compilation of the Software is prohibited.

TO THE EXTENT PERMITTED BY APPLICABLE LAW, CYPRESS MAKES NO WARRANTY OF ANY KIND, EXPRESS OR IMPLIED, WITH REGARD TO THIS DOCUMENT OR ANY SOFTWARE OR ACCOMPANYING HARDWARE, INCLUDING, BUT NOT LIMITED TO, THE IMPLIED WARRANTIES OF MERCHANTABILITY AND FITNESS FOR A PARTICULAR PURPOSE. To the extent permitted by applicable law, Cypress reserves the right to make changes to this document without further notice. Cypress does not assume any liability arising out of the application or use of any product or circuit described in this document. Any information provided in this document, including any sample design information or programming code, is provided only for reference purposes. It is the responsibility of the user of this document to properly design, program, and test the functionality and safety of any application made of this information and any resulting product. Cypress products are not designed, intended, or authorized for use as critical components in systems designed or intended for the operation of weapons, weapons systems, nuclear installations, life-support devices or systems, other medical devices or systems (including resuscitation equipment and surgical implants), pollution control or hazardous substances management, or other uses where the failure of the device or system could cause personal injury, death, or property damage ("Unintended Uses"). A critical component is any component of a device or system whose failure to perform can be reasonably expected to cause the failure of the device or system, or to affect its safety or effectiveness. Cypress is not liable, in whole or in part, and you shall and hereby do release Cypress from any claim, damage, or other liability arising from or related to all Unintended Uses of Cypress products. You shall indemnify and hold Cypress harmless from and against all claims, costs, damages, and other liabilities, including claims for personal injury or death, arising from or related to any Unintended Uses of Cypress products.

Cypress, the Cypress logo, Spansion, the Spansion logo, and combinations thereof, WICED, PSoC, CapSense, EZ-USB, F-RAM, and Traveo are trademarks or registered trademarks of Cypress in the United States and other countries. For a more complete list of Cypress trademarks, visit [cypress.com](http://cypress.com). Other names and brands may be claimed as property of their respective owners.