

1A, Single-Input, Single Cell Li-Ion Battery Charger with 50-mA LDO, and External Power Path Control

Check for Samples: [bq25060](#)

FEATURES

- 30V input Rating, With 10.5V Over-Voltage Protection (OVP)
- FET Controller for External Battery FET for External Power Path Control (BGATE)
- Input Voltage Dynamic Power Management
- 50mA integrated Low Dropout Linear Regulator (LDO)
- Programmable Charge Current Through ISET and EN Pin
- 0.5% Battery Voltage Regulation Accuracy
- 7% Charge Current Regulation Accuracy
- Thermal Regulation and Protection
- Battery NTC Monitoring During Charge
- Status Indication – Charging/Done
- Available in small 2mm × 3mm 10 Pin SON Package

APPLICATIONS

- Smart Phones
- Mobile Phones
- Portable Media Players
- Low Power Handheld Devices

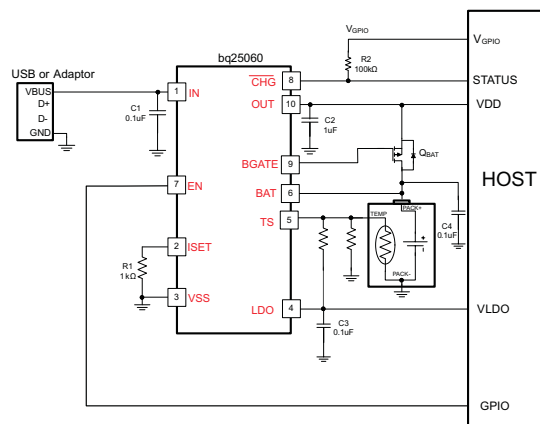
DESCRIPTION

The bq25060 is a highly integrated Li-Ion linear battery charger targeted at space-limited portable applications. It operates from either a USB port or AC Adapter and charges a single-cell Li-Ion battery with up to 1A of charge current. The 30V input voltage range with input over-voltage protections supports low-cost unregulated adapters.

The bq25060 has a single power output that charges the battery. The system load is connected to OUT. The low-battery system startup circuitry maintains OUT greater than 3.4V whenever an input source is connected. This allows the system to start-up and run whenever an input source is connected regardless of the battery voltage. The charge current is programmable up to 1A using the ISET input. Additionally, a 4.9V 50mA LDO is integrated into the IC for supplying low power external circuitry.

The battery is charged in three phases: conditioning, constant current and constant voltage. In all charge phases, an internal control loop monitors the IC junction temperature and reduces the charge current if an internal temperature threshold is exceeded. The charger power stage and charge current sense functions are fully integrated. The charger function has high accuracy current and voltage regulation loops, charge status display, and charge termination.

TYPICAL APPLICATION CIRCUIT



Please be aware that an important notice concerning availability, standard warranty, and use in critical applications of Texas Instruments semiconductor products and disclaimers thereto appears at the end of this data sheet.



This integrated circuit can be damaged by ESD. Texas Instruments recommends that all integrated circuits be handled with appropriate precautions. Failure to observe proper handling and installation procedures can cause damage.

ESD damage can range from subtle performance degradation to complete device failure. Precision integrated circuits may be more susceptible to damage because very small parametric changes could cause the device not to meet its published specifications.

ORDERING INFORMATION

PART NO.	MARKING	MEDIUM	QUANTITY
bq25060DQCR	DAN	Tape and Reel	3000
bq25060DQCT	DAN	Tape and Reel	250

PACKAGE DISSIPATION RATINGS TABLE

PACKAGE	R _{θJA}	R _{θJC}	T _A < 25°C POWER RATING	DERATING FACTOR ABOVE T _A = 25°C
10 Pin 2mm x 3mm SON ⁽¹⁾	58.7°C/W ⁽²⁾	3.9°C/W	1.70W	0.017W/°C

- (1) Maximum power dissipation is a function of T_{J(max)}, R_{θJA}, and T_A. The maximum allowable power dissipation at any allowable ambient temperature is PD = [T_{J(max)} - T_A]/R_{θJA}.
- (2) This data is based on using the JEDEC High-K board and the exposed die pad is connected to a Cu pad on the board. The pad is connected to the ground plane by a 2x3 via matrix.

ABSOLUTE MAXIMUM RATINGS⁽¹⁾

over operating free-air temperature range (unless otherwise noted)

		VALUE / UNIT
Input Voltage	IN (with respect to VSS)	-0.3 to 30 V
	EN, TS, $\overline{\text{CHG}}$, BGATE, ISET (with respect to VSS)	-0.3 to 7 V
Output Voltage	BAT, OUT, LDO, $\overline{\text{CHG}}$, BGATE (with respect to VSS)	-0.3 to 7 V
Input Current (Continuous)	IN	1.2 A
Output Current (Continuous)	BAT	1.2 A
Output Current (Continuous)	LDO	100 mA
Output Sink Current	$\overline{\text{CHG}}$	5 mA
Junction temperature, T _J		-40°C to 150°C
Storage temperature, T _{STG}		-65°C to 150°C

- (1) Stresses beyond those listed under absolute maximum ratings may cause permanent damage to the device. These are stress ratings only, and functional operation of the device at these or any other conditions beyond those indicated under recommended operating conditions is not implied. Exposure to absolute-maximum-rated conditions for extended periods may affect device reliability. All voltage values are with respect to the network ground terminal unless otherwise noted.

RECOMMENDED OPERATING CONDITIONS

over operating free-air temperature range (unless otherwise noted)

		MIN	MAX	UNITS
V _{IN}	IN voltage range	3.55	28	V
	IN operating voltage range	4.4	10.2	
I _{IN}	Input current, IN		1	A
I _{OUT}	Output Current in charge mode, OUT		1	A
R _{ISET}	Input current limit programming resistor range	1	10	kΩ
T _J	Junction Temperature	0	125	°C

ELECTRICAL CHARACTERISTICS

Over junction temperature range 0°C ≤ T_J ≤ 125°C and V_{IN} = 5V (unless otherwise noted)

PARAMETER	TEST CONDITIONS	MIN	TYP	MAX	UNITS
INPUT					
V _{UVLO}	Under-voltage lock-out	V _{IN} : 0V → 4V		3.25	3.40 3.55 V

ELECTRICAL CHARACTERISTICS (continued)

Over junction temperature range $0^{\circ}\text{C} \leq T_J \leq 125^{\circ}\text{C}$ and $V_{IN} = 5\text{V}$ (unless otherwise noted)

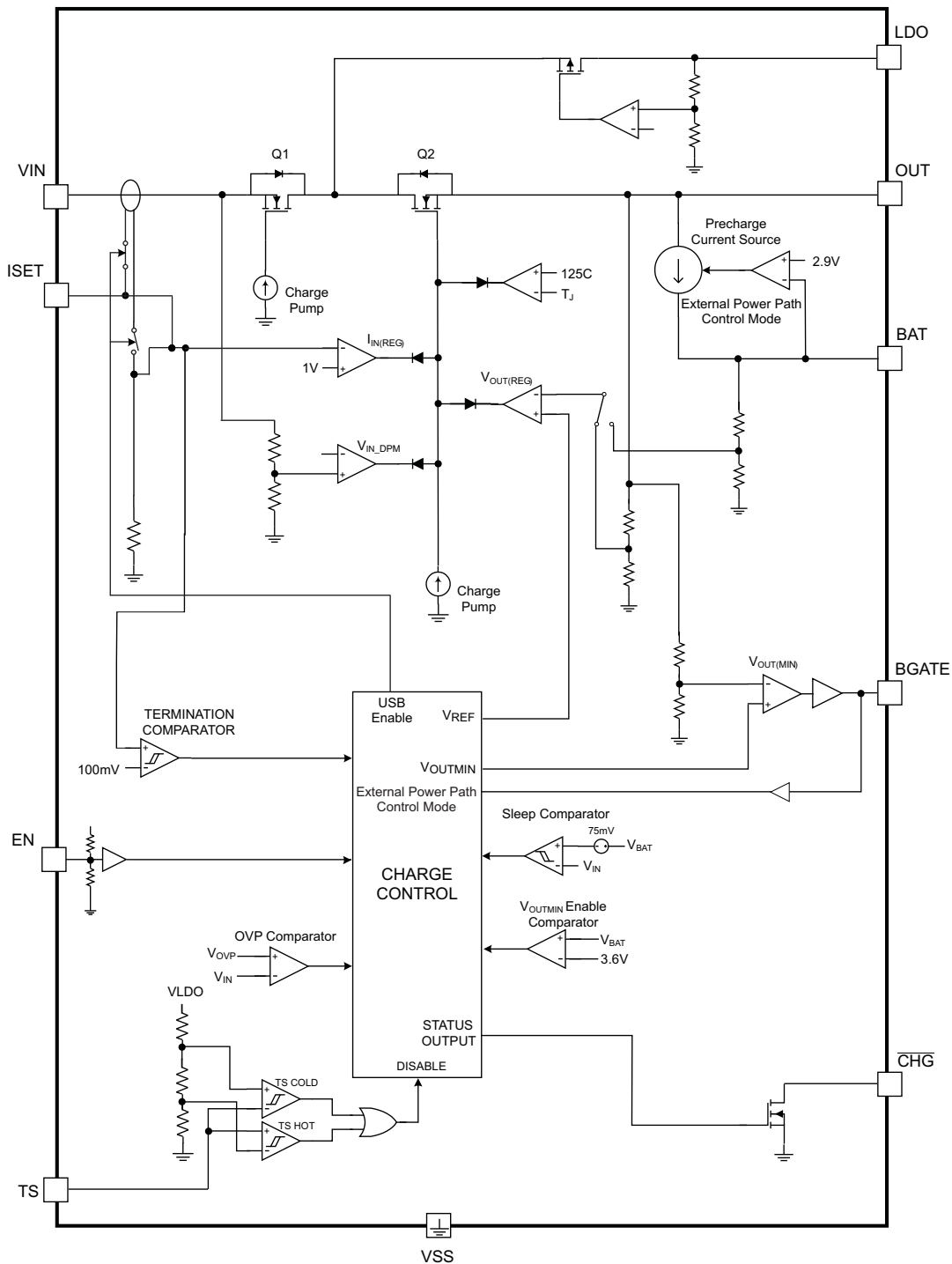
PARAMETER	TEST CONDITIONS	MIN	TYP	MAX	UNITS	
$V_{HYS-UVLO}$	Hysteresis on UVLO $V_{IN}: 4\text{V} \rightarrow 0\text{V}$		250		mV	
$V_{BATUVLO}$	Battery UVLO V_{BAT} rising	1.95	2.05	2.15	V	
$V_{HYS-BUVLO}$	Hysteresis on BAT UVLO V_{BAT} falling		125		mV	
V_{IN-SLP}	Valid input source threshold V_{IN-SLP} above V_{BAT} Input power good if $V_{IN} > V_{BAT} + V_{IN-SLP}$ $V_{BAT} = 3.6\text{V}$, $V_{IN}: 3.5\text{V} \rightarrow 4\text{V}$	30	75	150	mV	
$V_{HYS-INSLP}$	Hysteresis on V_{IN-SLP} $V_{BAT} = 3.6\text{V}$, $V_{IN}: 4\text{V} \rightarrow 3.5\text{V}$		32		mV	
$t_{DGL(NO-IN)}$	Deglintch time, input power loss to charger turn-off Time measured from $V_{IN}: 5\text{V} \rightarrow 2.5\text{V}$ 1 μs fall-time		32		ms	
V_{OVP}	Input over-voltage protection threshold $V_{IN}: 5\text{V} \rightarrow 11\text{V}$	10.2	10.5	10.8	V	
$V_{HYS-OVP}$	Hysteresis on OVP $V_{IN}: 11\text{V} \rightarrow 5\text{V}$		100		mV	
$t_{DGL(OVP)}$	Input over-voltage deglitch time		100		μs	
$t_{REC(OVP)}$	Input over-voltage recovery time Time measured from $V_{IN}: 11\text{V} \rightarrow 5\text{V}$ 1 μs fall-time to LDO = HI, $V_{BAT} = 3.5\text{V}$		100		μs	
V_{IN-DPM}	Input DPM threshold V_{IN} Falling, V_{IN-DPM} enabled with EN	4.2	4.30	4.4	V	
QUIESCENT CURRENT						
$I_{BAT(PDWN)}$	Battery current into BAT, No input connected $V_{IN} = 0\text{V}$, $T_J = 85^{\circ}\text{C}$			6	μA	
$I_{BAT(DONE)}$	BAT current, charging terminated $V_{IN} = 6\text{V}$, $V_{BAT} > V_{BAT(REG)}$			10	μA	
$I_{IN(STDBY)}$	Standby current into IN pin EN = HI, $V_{IN} < VOVP$			0.6	mA	
				2		
I_{CC}	Active supply current, IN pin $V_{IN} = 6\text{V}$, no load on OUT pin, $V_{BAT} > V_{BAT(REG)}$, IC enabled			3	mA	
BATTERY CHARGER FAST-CHARGE						
$V_{BAT(REG)}$	Battery charge regulation voltage $T_A = 0^{\circ}\text{C}$ to 125°C , $I_{OUT} = 50\text{mA}$		4.16	4.20	4.23	V
		$T_A = 25^{\circ}\text{C}$	4.179	4.200	4.221	
$I_{IN-RANGE}$	User programmable input current limit range $R_{ISET} = 1\text{k}\Omega$ to $10\text{k}\Omega$, EN = VSS		100		1000	mA
$I_{IN(LIM)}$	Input current limit, or fast-charge current EN = FLOAT		435	467	500	mA
		EN = VSS	K_{ISET}/R_{ISET}			
K_{ISET}	Fast charge current factor $R_{ISET} = 1\text{k}\Omega$ to $10\text{k}\Omega$, EN = VSS		900	1000	1100	A Ω
$V_{DO(IN-OUT)}$	$V_{IN} - V_{OUT}$ $V_{IN} = 4.2\text{V}$, $I_{OUT} = 0.75\text{A}$			500	900	mV
ISET SHORT CIRCUIT PROTECTION						
R_{ISET_MAX}	Highest resistor value considered a short fault $R_{ISET}: 900\Omega \rightarrow 300\Omega$, I_{OUT} latches off, Cycle power to reset, Fault range $> 1.10\text{A}$		430		700	Ω
$t_{DGL-SHORT}$	Deglitch time transition from I_{SET} short to I_{OUT} disable Clear fault by cycling VBUS or $\overline{\text{EN}}$			1.5		ms
I_{OUT-CL}	Maximum OUT current limit regulation (Clamp)		1.2		2	A
PRE-CHARGE AND CHARGE DONE						
V_{LOWV}	Pre-charge to fast-charge transition threshold External power path control disabled, BGATE = VSS		2.4	2.5	2.6	V
		External power path control enabled	2.8	2.9	3.0	
$t_{DGL(LOWV)}$	Deglitch time on fast-charge to pre-charge transition V_{BAT} rising or falling			25		ms
$I_{PRECHARGE}$	Precharge current to BAT during precharge mode $V_{BAT} = 0\text{V}$ to 2.9V , Battery FET connected, Current out of BAT		28	37	45	mA
		$V_{BAT} = 0\text{V}$ to 2.5V , BGATE = VSS, Input current limit regulated to $I_{PRECHARGE}$	41.5	45	48.5	
I_{TERM}	Default termination current threshold $V_{IN} = 5\text{V}$, $I_{CHARGE} = 100\text{mA}$ to 1A		7.5	10.5	13.5	% $I_{IN(LIM)}$
RECHARGE OR REFRESH						
V_{RCH}	Recharge detection threshold V_{BAT} falling		$V_{BAT(REG)} - 0.13\text{V}$	$V_{BAT(REG)} - 0.1\text{V}$	$V_{BAT(REG)} - 0.065\text{V}$	V
$t_{DGL(RCH)}$	Deglitch time, recharge threshold detected V_{BAT} falling			25		ms
EXTERNAL POWER PATH CONTROL						

ELECTRICAL CHARACTERISTICS (continued)Over junction temperature range $0^{\circ}\text{C} \leq T_J \leq 125^{\circ}\text{C}$ and $V_{IN} = 5\text{V}$ (unless otherwise noted)

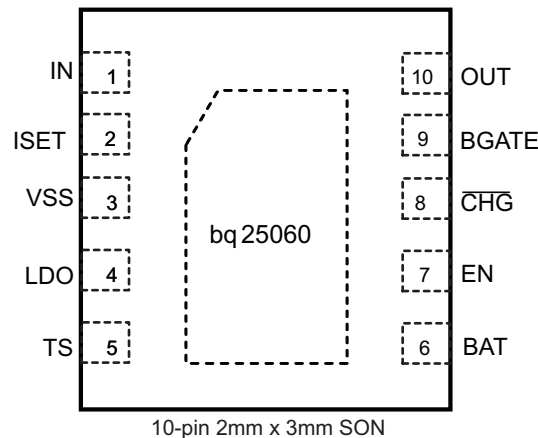
PARAMETER		TEST CONDITIONS	MIN	TYP	MAX	UNITS
$V_{OUT(REG)}$	Output regulation voltage	$V_{BAT} \leq 2.9\text{V}$	3.4	3.5	3.6	V
		$2.9\text{V} < V_{BAT} \leq 3.6\text{V}$	3.44	3.59	3.75	V
		$V_{BAT} > 3.6\text{V}$	$V_{BAT} + V_{drop(QBAT)}$			V
V_{SUPP1}	Enter supplement mode threshold	$V_{BAT} = 3.4\text{V}$, V_{OUT} Falling	$V_{OUT} \leq V_{BAT} - 0.06$			V
V_{SUPP2}	Exit supplement mode threshold	$V_{BAT} = 3.4\text{V}$, V_{OUT} Rising	$V_{OUT} \geq V_{BAT} - 0.02$			V
LDO						
V_{LDO}	LDO Output Voltage	$V_{IN} = 5.5\text{V}$, $I_{LDO} = 0\text{mA}$ to 50mA	4.7	4.9	5.1	V
I_{LDO}	Maximum LDO Output Current		60			mA
V_{DO}	Dropout Voltage	$V_{IN} = 4.5\text{V}$, $I_{LDO} = 50\text{mA}$		200	300	mV
LOGIC LEVELS ON EN						
V_{IL}	Logic low input voltage				0.4	V
V_{IH}	Logic high input voltage		1.4			V
V_{FLT}	Logic FLOAT input voltage		600	850	1100	mV
$I_{FLT_leakage}$	Maximum leakage sink or source current to keep in FLOAT				1	μA
I_{EN_DRIVE}	Minimal drive current from an external device for Low or High		8			μA
LOGIC LEVELS ON BGATE						
V_{IL}	Logic LOW input voltage				0.4	V
V_{IH}	Logic HIGH input voltage		1.4			V
BATTERY-PACK NTC MONITOR (TS)						
V_{COLD}	TS Cold Threshold	Temperature falling	24.4	25	25.6	% of V_{LDO}
$V_{HYS(COLD)}$	Hysteresis on Cold threshold	Temperature rising, BGATE disabled		1		% of V_{LDO}
V_{HOT}	TS Hot Threshold	Temperature rising	12	12.5	13	% of V_{LDO}
$V_{HYS(HOT)}$	Hysteresis on Hot Threshold	Temperature falling, BGATE disabled		1		% of V_{LDO}
$t_{dgl(TS)}$	Deglitch for TS Fault	IN or OUT TS Fault		25		ms
CHG OUTPUT						
V_{OL}	Output LOW voltage	$I_{SINK} = 5\text{mA}$			0.45	V
I_{IH}	Leakage current	$V_{CHG} = 5\text{V}$			1	μA
THERMAL REGULATION						
$T_{J(REG)}$	Temperature Regulation Limit	T_J rising		125		$^{\circ}\text{C}$
$T_{J(OFF)}$	Thermal shutdown temperature	T_J rising		155		$^{\circ}\text{C}$
$T_{J(OFF-HYS)}$	Thermal shutdown hysteresis	T_J falling		20		$^{\circ}\text{C}$

DEVICE INFORMATION

SIMPLIFIED BLOCK DIAGRAM



PIN CONFIGURATION



PIN FUNCTIONS

PIN		I/O	DESCRIPTION
NAME	NO.		
IN	1	I	Input power supply. IN is connected to the external DC supply (AC adapter or USB port). Bypass IN to VSS with at least a 0.1µF ceramic capacitor.
ISET	2	I	Current programming input. Connect a resistor from ISET to VSS to program the input current limit when the user programmable mode is selected by the EN pin. The resistor range is between 1kΩ and 10kΩ to set the current between 100 mA and 1A.
VSS	3	–	Ground terminal. Connect to the thermal pad and the ground plane of the circuit.
LDO	4	O	LDO output. LDO is regulated to 4.9V and drives up to 50mA. Bypass LDO to VSS with a 0.1µF ceramic capacitor. LDO is enabled when $V_{UVLO} < V_{IN} < V_{OVP}$.
TS	5	I	Battery pack NTC monitoring input. Connect the battery pack NTC from TS to VSS to monitor battery pack temperature. The default pack temperature range is 0°C to 45°C thresholds.
EN	7	I	Enable input. Drive EN high to disable the IC. Connect EN to VSS to place the bq25060 in the user programmable mode where the input current is programmed using the ISET input. Leave EN floating to place the bq25060 in USB500 mode. See the Charger Enable section for details on using the EN interface.
$\overline{\text{CHG}}$	8	O	Charge status indicator open-drain output. $\overline{\text{CHG}}$ is pulled low while the device is charging the battery. $\overline{\text{CHG}}$ goes high impedance when the battery is fully charged and does not indicate subsequent recharge cycles.
BAT	6	O	Battery connection output. BAT is the sense input for the battery as well as the precharge current output. Connect BAT to the battery and bypass BAT to VSS with a 0.1µF ceramic capacitor.
BGATE	9	I/O	Battery P-Channel FET gate drive output. Connect BGATE to the gate of the external P-Channel FET that connects the battery to OUT. Connect BGATE to VSS if the external FET is not used. No external capacitor is recommended from BGATE to GND.
OUT	10	O	System output connection. OUT supplies the system with a minimum voltage of 3.4V (min.) to ensure system operation whenever an input adapter is connected regardless of the battery voltage. Bypass OUT to VSS with a minimum 1µF ceramic capacitor.
Thermal PAD	Pad	–	There is an internal electrical connection between the exposed thermal pad and the VSS pin of the device. The thermal pad must be connected to the same potential as the VSS pin on the printed circuit board. Do not use the thermal pad as the primary ground input for the device. VSS pin must be connected to ground at all times.

APPLICATION CIRCUITS

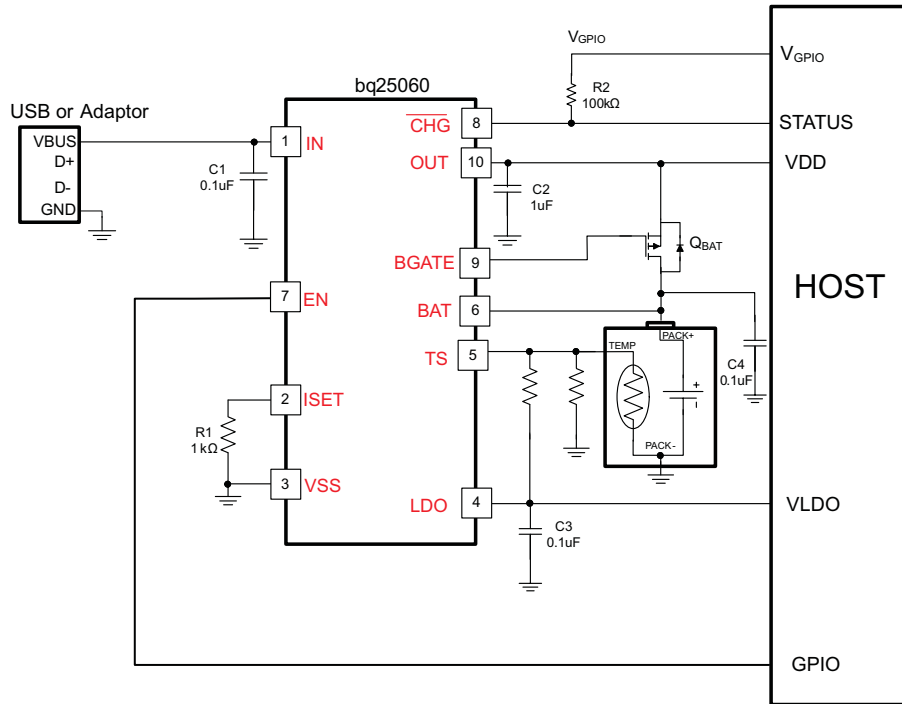


Figure 1. Typical Application Circuit Using the External Power Path Control Feature

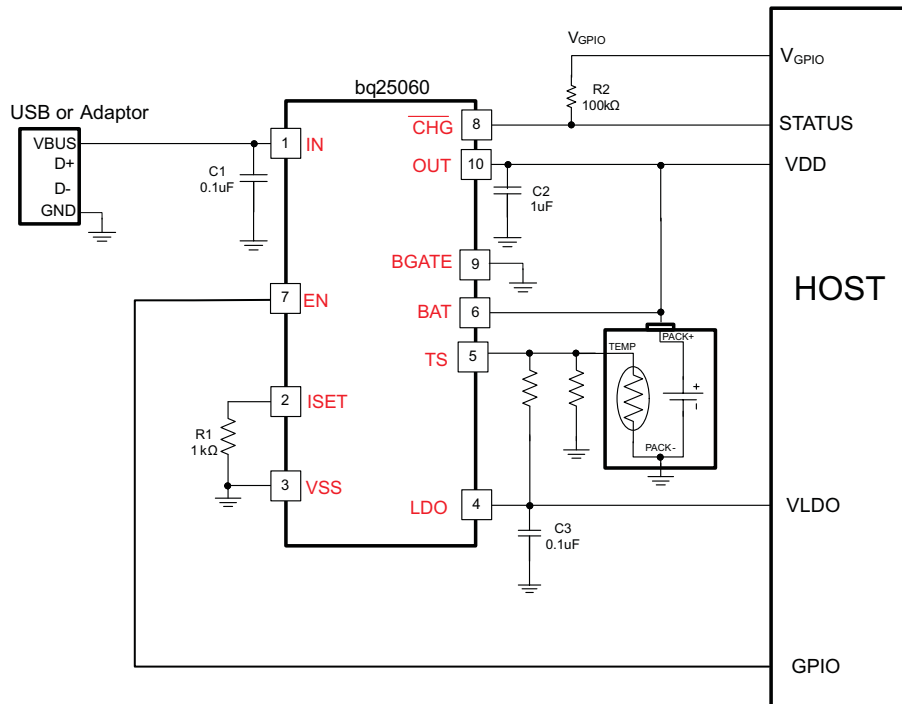


Figure 2. Typical Application Circuit Disabling the External Power Path Control Feature

TYPICAL CHARACTERISTICS

Using circuit in Figure 1, $T_A = 25^\circ\text{C}$, unless otherwise specified

ADAPTER INSERTION

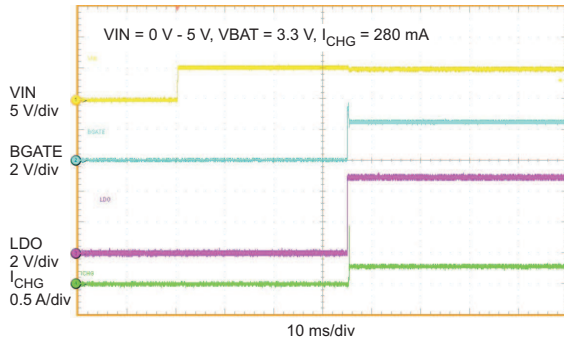


Figure 3.

ENABLE USING EN

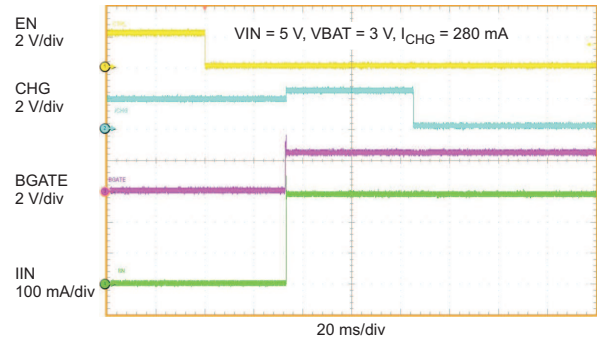


Figure 4.

DISABLE USING EN

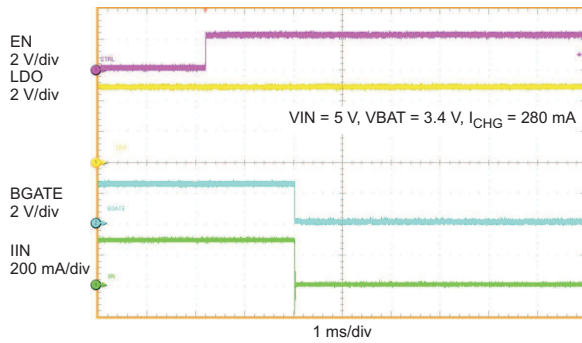


Figure 5.

INPUT OVP

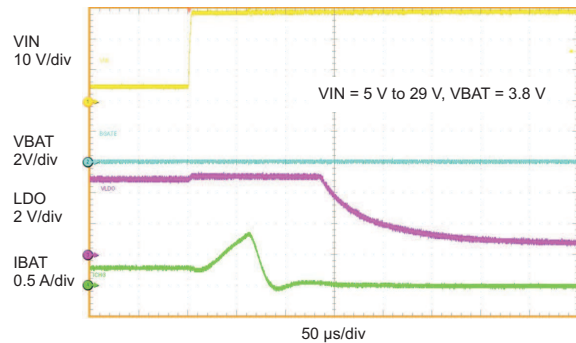


Figure 6.

PRE-CHARGE MODE TO MINIMUM OUTPUT REGULATION MODE

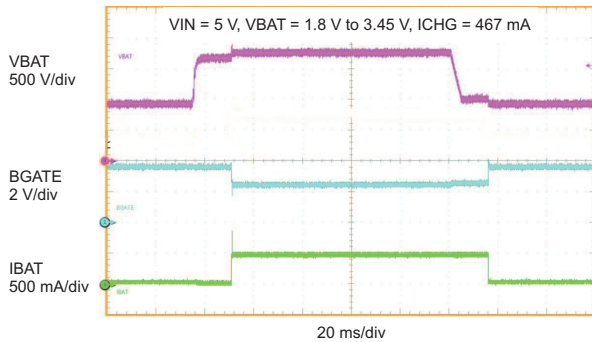


Figure 7.

MINIMUM OUTPUT REGULATION MODE TO CONSTANT CURRENT (CC) MODE

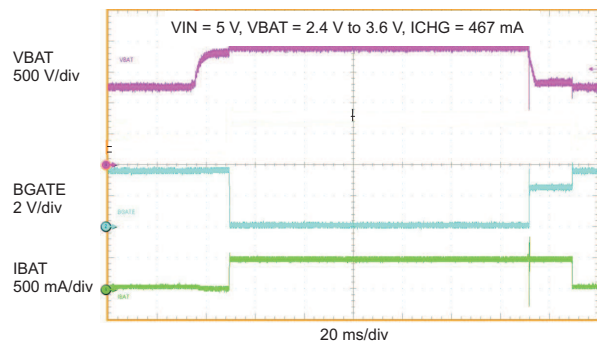


Figure 8.

TYPICAL CHARACTERISTICS (continued)

Using circuit in Figure 1, $T_A = 25^\circ\text{C}$, unless otherwise specified

PRE-CHARGE TO CONSTANT VOLTAGE (CV) MODE

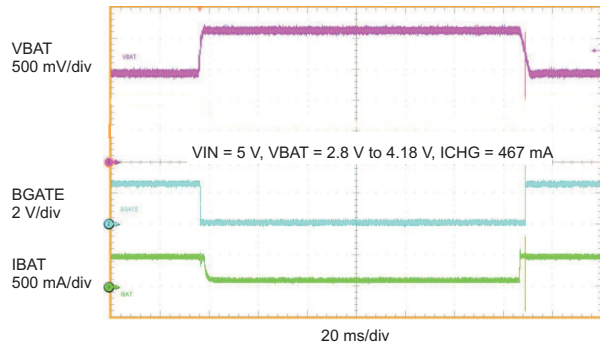


Figure 9.

VIN-DPM

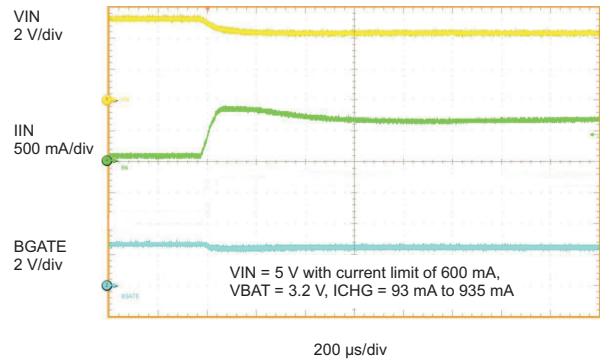


Figure 10.

SUPPLEMENT MODE

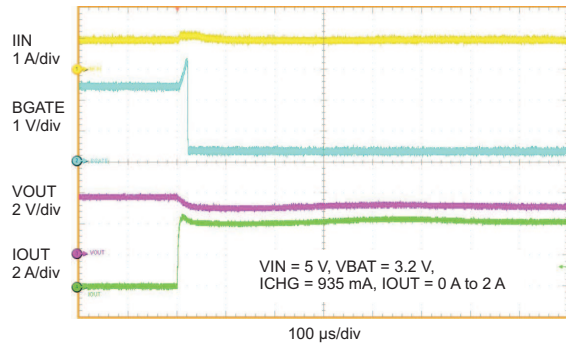


Figure 11.

CHARGE CYCLE DEMO

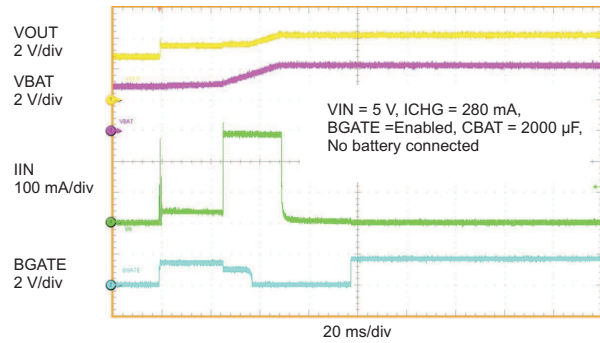


Figure 12.

BATTERY VOLTAGE vs CHARGE CURRENT

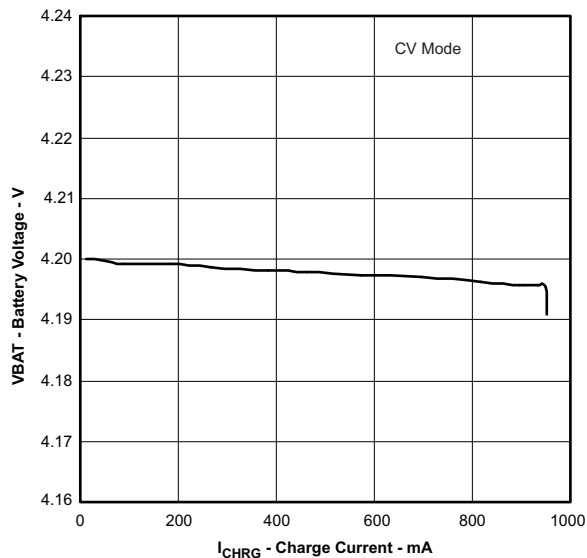


Figure 13.

R_{DS(on)} (From IN to OUT) vs JUNCTION TEMPERATURE

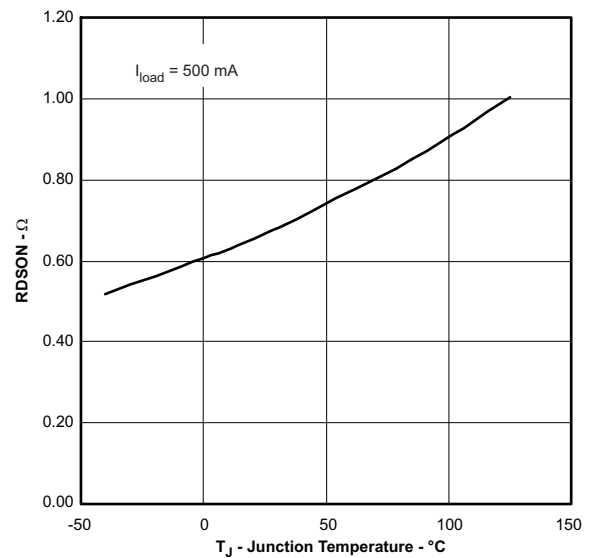
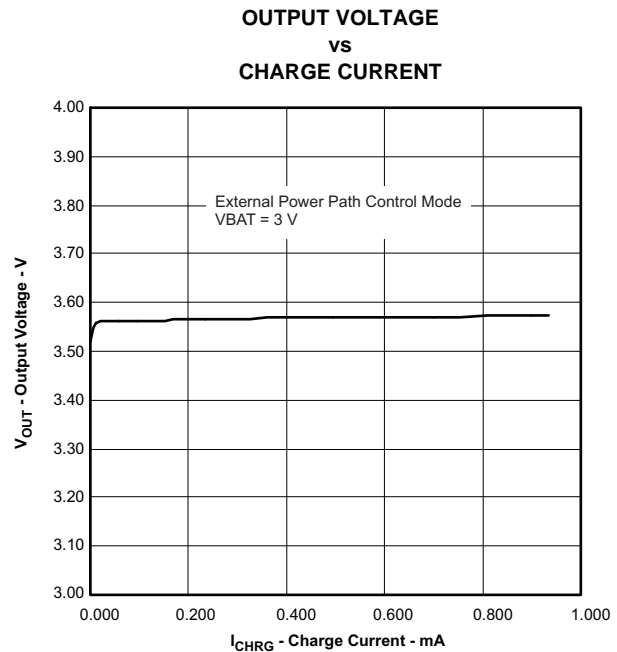
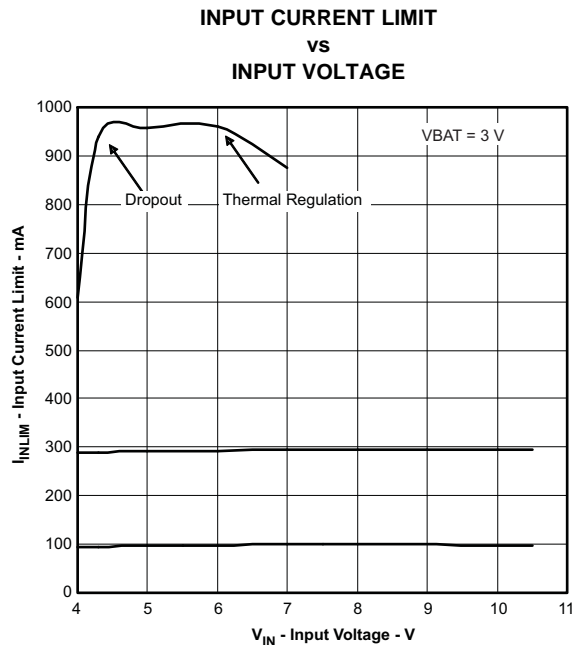


Figure 14.

TYPICAL CHARACTERISTICS (continued)

Using circuit in [Figure 1](#), $T_A = 25^\circ\text{C}$, unless otherwise specified



DETAILED FUNCTIONAL DESCRIPTION

The bq25060 is a highly integrated Li-Ion linear battery charger targeted at space-limited portable applications. It operates from either a USB port or AC Adapter and charges a single-cell Li-Ion battery with up to 1A of charge current. The 30V input voltage range with input over-voltage protections supports low-cost unregulated adapters.

The bq25060 has a single power output that charges the battery. The system load is connected to OUT. The low-battery system startup circuitry maintains OUT pin voltage at $V_{OUT(REG)}$ whenever an input source is connected. This allows the system to start-up and run whenever an input source is connected regardless of the battery voltage. The charge current is programmable up to 1A using the EN input. Additionally, a 4.9V 50mA LDO is integrated into the IC for supplying low power external circuitry.

External FET Controller (BGATE)

The External Power Path Control feature is implemented using the BGATE output. BGATE is also used to enable/ disable the External Power Path Control feature. When power is first applied to either V_{BAT} or V_{IN} on the bq25060, the BGATE output is tested. If the BGATE pin is connected to VSS, the External Power Path Control feature is disabled. In order to enable the External Power Path Control feature after it has been disabled, the battery and the input source must be removed and reconnected and BGATE must NOT be connected to VSS.

With External Power Path Control enabled, BGATE is used to drive an external P-channel FET that connects the battery to the system output. The state of this FET is dependant on the battery voltage and the IC status. In discharge mode, BGATE is pulled to GND to turn the external FET on fully. During discharge mode, the output is connected directly to the battery. Discharge mode is entered under the following conditions:

1. IC disabled or no input power
2. Supplement mode

When not in one of these conditions, the BGATE output is controlled by the bq25060 and changes depending on which mode is required. See the *Charging Operation* section for more details.

Enable/ Disable External Power Path Control

When power is first applied to the bq25060, either at the IN or BAT input, the bq25060 checks the BGATE output. The device sources a small current out of BGATE for 2ms and monitors the voltage. If VBGATE is connected to ground and the voltage does not rise above logic High, the External Power Path Control feature is disabled and VLOWV is set to 2.5V. If the BGATE voltage rises above logic High, the External Power Path Control feature is enabled and VLOWV is set to 2.9V. The bq25060 only does this check when power is initially applied. Power must be removed from IN and BAT and then reapplied to initiate another check. Figure 17 illustrates the startup check procedure.

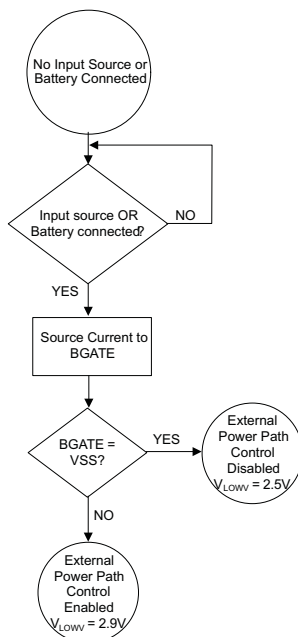


Figure 17. BGATE Monitor Sequence

Charging Operation

The bq25060 charges a battery in 3 stages while maintaining a minimum system output. When the bq25060 is enabled by EN, the battery voltage is monitored to verify which stage of charging must be used. The bq25060 charges in precharge mode, minimum output regulation mode, or normal CC/CV mode based on the battery voltage.

Charger Operation with External Power Path Control Mode Enabled

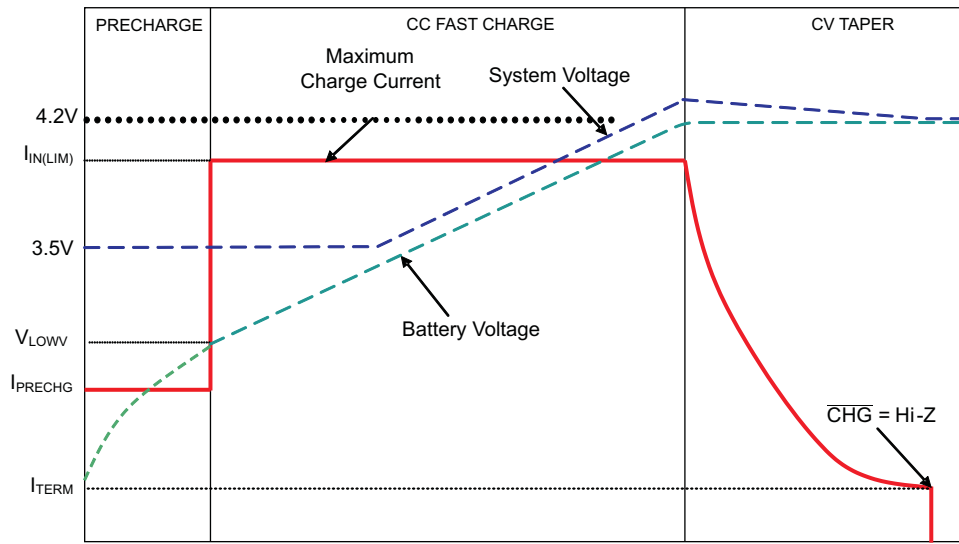


Figure 18. Typical Charging Cycle with External Power Path Control Enabled

Precharge Mode ($V_{BAT} \leq V_{LOWV}$)

The bq25060 enters precharge mode when $V_{BAT} \leq V_{LOWV}$. Upon entering precharge mode, the battery is charged with a 40mA current source and \overline{CHG} goes low. During precharge mode, V_{OUT} is regulated to 3.5V and the battery is charged from the internal fixed 40mA current source connected to the BAT output. With BGATE connected to GND, the system output is connected to the battery and therefore the system voltage is equal to the battery voltage.

Minimum Output Regulation Mode ($2.9V < V_{BAT} < 3.6V$)

Once V_{BAT} exceeds 2.9V, the bq25060 enters Minimum Output Regulation Mode. While $2.9V < V_{BAT} < 3.6V$, V_{OUT} is regulated to $V_{OUT(REG)}$ by the external FET (QBAT) while the internal FETs between IN and OUT is used to regulate the fast charge current. The total current is shared between the output load and the battery. As the system current increases, the battery charge current decreases. In order to maintain the minimum output regulation voltage $V_{OUT(REG)}$, the system load must be less than the input current limit.

Normal CC/CV Mode

Once $V_{BAT} > 3.6V$, QBAT is fully turned on and $V_{OUT} = V_{BAT} + V_{drop(Q1)}$. At this point, the bq25060 is in constant current (CC) mode where charge current is regulated using the internal FETs between IN and OUT. The V_{OUT} voltage is not regulated. The total current is shared between the output load and the battery. Once the battery voltage charges up to $V_{BAT(REG)}$, the bq25060 enters constant voltage (CV) mode where V_{BAT} is regulated to $V_{BAT(REG)}$ and the current is reduced. Once the input current falls below the termination threshold (I_{TERM}) BGATE is turned off and \overline{CHG} goes high impedance. The system output is regulated to 4.2V and the battery is disconnected from OUT, however supplement mode is still available.

Charger Operation With External Power Path Control Mode Disabled (BGATE = VSS)

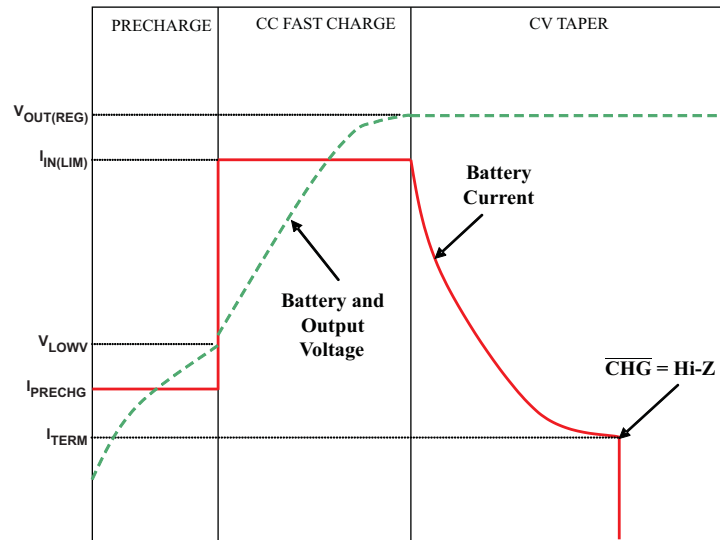


Figure 19. Charging Cycle with External Power Path Control Disabled (BGATE = VSS)

Precharge Mode ($V_{BAT} \leq V_{LOWV}$)

The bq25060 enters precharge mode when $V_{BAT} \leq V_{LOWV}$. Upon entering precharge mode, \overline{CHG} goes low and the input current limit is set to $I_{PRECHARGE}$. With BGATE connected to GND, the system output is connected to the battery and therefore the system voltage is equal to the battery voltage. During precharge mode, the input current is regulated to 50mA and as such, only loads up to 50mA are supported.

Normal CC/CV Mode

Once $V_{BAT} > V_{LOWV}$, the bq25060 enters constant current (CC) mode where charge current is regulated using the internal MOSFETs between IN and OUT. The total current is shared between the output load and the battery. Once the battery voltage charges up to $V_{BAT(REG)}$, the bq25060 enters constant voltage (CV) mode where V_{BAT} is regulated to $V_{BAT(REG)}$ and the current is reduced. Once the input current falls below the termination threshold (I_{TERM}), CHG goes high impedance but the system remains charging and regulates the output to $V_{BAT(REG)}$.

Programmable Input Current Limit (ISET)

When the charger is enabled, and the user programmable current limit is selected by the EN input, internal circuits generate a current proportional to the input current at the ISET input. The current out of ISET is 1/1000 ($\pm 10\%$) of the charge current. This current, when applied to the external charge current programming resistor, R1 (Figure 1), generates an analog voltage that is regulated to program the fast charge current. Connect a resistor from ISET to VSS to program the input current limit using the following equation:

$$I_{IN_LIMIT} = \frac{K_{ISET}}{R_{ISET}} = \frac{1000A \times \Omega}{R_{ISET}} \tag{1}$$

I_{IN_LIM} is programmable from 100mA to 1A. The voltage at ISET can be monitored by an external host to calculate the charging current to the battery. The input current is related to the ISET voltage using the following equation:

$$I_{IN} = V_{ISET} \times \frac{1000}{R_{ISET}} \tag{2}$$

Monitoring the ISET voltage allows for the host to calculate the actual charging current and therefore perform more accurate termination. The input current to the system must be monitored and subtracted from the current into the bq25060 which is show by VISET.

Input Current Limit Control (EN)

The bq25060 contains a 3-state that controls the input current limit. Drive EN low to program the input current limit to the user defined value programmed using ISET. Drive EN high to place the bq25060 in USB suspend mode. In USB suspend mode, the input current into bq25060 is reduced and the external battery FET is held on (BGATE pulled to GND). Leaving EN unconnected or connected to a high impedance source programs the USB500 input current limit.

Table 1. EN Input Definition

EN	MODE
Low	ISET
Hi-Z	USB500
Hi	USB Suspend

Input Over Voltage Protection

The bq25060 contains an input over voltage protection circuit that disables the LDO output and charging when the input voltage rises above V_{OVP} . This prevents damage from faulty adapters. The OVP circuitry contains an deglitch that prevents ringing on the input from line transients from tripping the OVP circuitry falsely. If an adapter with an output greater than V_{OVP} is plugged in, the IC completes power up and then shuts down if the voltage remains above V_{OVP} after the deglitch. The LDO remains off and charging remains disabled until the input voltage falls below V_{OVP} .

Under-Voltage Lockout (UVLO)

The bq25060 remains in power down mode when the input voltage is below the under-voltage lockout threshold (V_{UVLO}). During this mode, the control input (EN) is ignored. The LDO, the charge FET connected between IN and OUT are off and the status output (CHG) is high impedance. Once the input voltage rises above V_{UVLO} , the internal circuitry is turned on and the normal operating procedures are followed.

Input DPM Mode (V_{IN} -DPM)

The input current into the bq25060 includes all load currents, i.e. the system load, LDO load, and battery charge current. The total input current is regulated by the input current limit of the bq25060. The bq25060 utilizes the V_{IN} -DPM mode for operation from current-limited input sources.

With V_{IN} -DPM enabled, the input voltage is monitored. If V_{IN} falls to V_{IN-DPM} , the input current limit is reduced to prevent the input voltage from falling further. This prevents the bq25060 from crashing poorly designed or incorrectly configured USB sources. [Figure 20](#) shows the V_{IN} -DPM behavior to a current limited source. In this figure the input source has a 200mA current limit and the device has started up with the 285mA current limit.

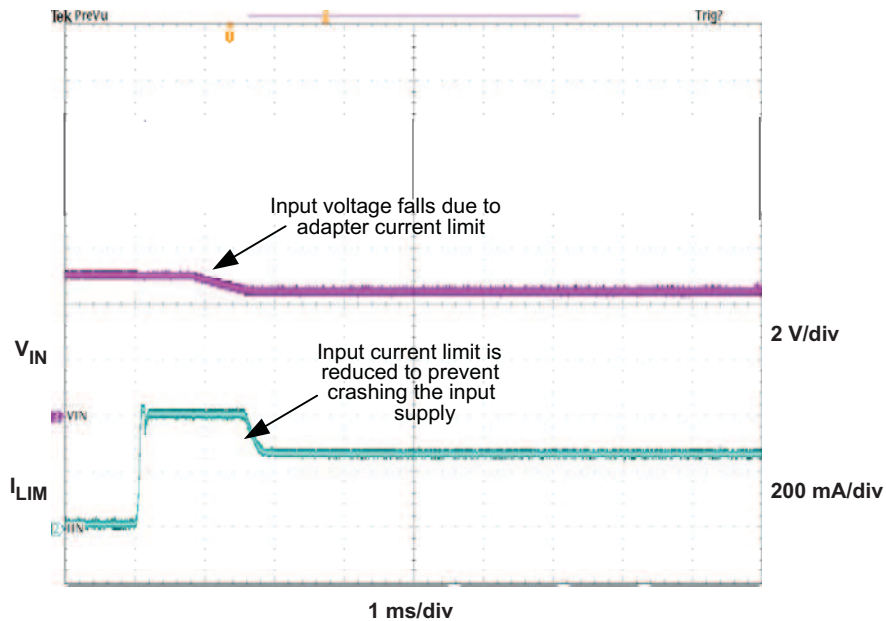


Figure 20. bq25060 V_{IN} .DPM

External NTC Monitoring (TS)

The bq25060 features a flexible, voltage based external battery pack temperature monitoring input. The TS input connects to the NTC thermistor in the battery pack to monitor battery temperature and prevent dangerous over-temperature conditions. During charging, the voltage at TS is continuously monitored. If, at any time, the voltage at TS is outside of the operating range (VCOLD to VHOT), charging is suspended. When the voltage measured at TS returns to within the operation window, charging is resumed. When charging is suspended due to a battery pack temperature fault, the CHG output goes to high impedance.

The temperature thresholds are programmed using a resistor divider from LDO to GND with the NTC thermistor connected to the center tap from TS to GND. See Figure 5 for the circuit example. The value of R1 and R2 are calculated using the following equations:

$$R1 = \frac{-R2 \times RHOT \times (0.125 - 1)}{0.125 \times (R2 + RHOT)} \quad (3)$$

$$R2 = \frac{-RHOT \times RCOLD \times (0.125 - 0.250)}{RHOT \times 0.250 \times (0.125 - 1) + RCOLD \times 0.125 \times (1 - 0.250)} \quad (4)$$

RHOT is the expected thermistor resistance at the programmed hot threshold; RCOLD is the expected thermistor resistance at the programmed cold threshold.

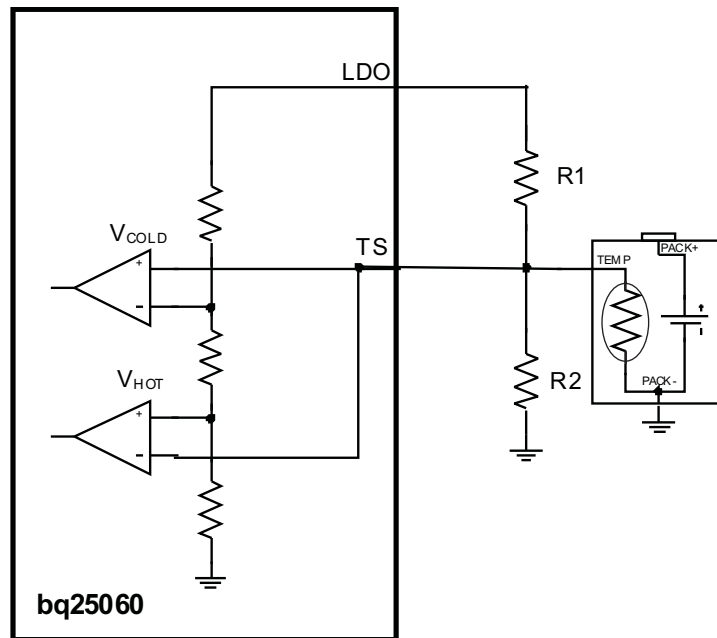


Figure 21. NTC Monitoring Function

50mA LDO (LDO)

The LDO output of the bq25060 is a low dropout linear regulator (LDO) that supplies up to 50mA while regulating to VLDO. The LDO is active whenever the input voltage is above VUVLO and below VOVP. It is not affected by the EN input. The LDO output is used to power circuitry such as USB transceivers in dead battery conditions. This allows the user to operate the product immediately after plugging the adapter in, instead of waiting for the battery to charge to useable levels.

Charge Status Indicator ($\overline{\text{CHG}}$)

The bq25060 contains an open drain $\overline{\text{CHG}}$ output that indicates charge cycles and faults. When charging a battery in precharge, fastcharge, or CV mode, the $\overline{\text{CHG}}$ output is pulled to VSS. Once the BAT output reaches regulation and the charge current falls below the termination threshold, $\overline{\text{CHG}}$ goes to high impedance to signal the battery is fully charged. The $\overline{\text{CHG}}$ output goes low during battery recharge cycles to signal the host to monitor for termination.

Additionally, $\overline{\text{CHG}}$ notifies the host if a NTC temperature fault has occurred. $\overline{\text{CHG}}$ goes to high impedance if a TS fault occurs. Connect $\overline{\text{CHG}}$ to the required logic level voltage through a 1k Ω to 100k Ω resistor to use the signal with a microprocessor. I_{CHG} must be below 5mA.

Thermal Regulation and Thermal Shutdown

The bq25060 contains a thermal regulation loop that monitors the die temperature continuously. If the temperature exceeds $T_{\text{J(REG)}}$, the device automatically reduces the charging current to prevent the die temperature from increasing further. In some cases, the die temperature continues to rise despite the operation of the thermal loop, particularly under high V_{IN} conditions. If the die temperature increases to $T_{\text{J(OFF)}}$, the IC is turned off. Once the device die temperature cools by $T_{\text{J(OFF-HYS)}}$, the device turns on and returns to thermal regulation. Continuous over-temperature conditions result in the pulsing of the load current. If the junction temperature of the device exceeds $T_{\text{J(OFF)}}$, the charge FET is turned off. The FET is turned back on when the junction temperature falls below $T_{\text{J(OFF)}} - T_{\text{J(OFF-HYS)}}$.

Note that these features monitor the die temperature of the bq25060. This is not synonymous with ambient temperature. Self heating exists due to the power dissipated in the IC because of the linear nature of the battery charging algorithm.

APPLICATION INFORMATION

Selection of Input/ Output Capacitors

In most applications, all that is needed is a high-frequency decoupling capacitor on the input power pin. For normal charging applications, a 0.1µF ceramic capacitor, placed in close proximity to the IN pin and GND pad works best. In some applications, depending on the power supply characteristics and cable length, it may be necessary to increase the input filter capacitor to avoid exceeding the OVP voltage threshold during adapter hot plug events where the ringing exceeds the deglitch time.

The charger in the bq25060 requires a capacitor from OUT to GND for loop stability. Connect a 1µF ceramic capacitor from OUT to GND close to the pins for best results. More output capacitance may be required to minimize the output droop during large load transients. Connect a 0.1µF ceramic capacitor from BAT to GND to eliminate the potential ESD strike.

The LDO also requires an output capacitor for loop stability. Connect a 0.1µF ceramic capacitor from LDO to GND close to the pins. For improved transient response, this capacitor may be increased.

bq25060 Charger Design Example

The following sections provide an example for determining the component values for use with the bq25060.

Requirements: Refer to [Figure 1](#) and [Figure 2](#) for Schematics of the Design Example.

- Supply voltage = 4.35~10.2V
- Input current limit is 0.5A
- Set 0°C~45°C operating range

Calculations

Input Current Limit Control (EN): Drive EN low to program the input current limit to the user defined value programmed using ISET. See Table 1 for other detail EN pin options.

Program the input current limit (ISET): Connect a resistor, R_{ISET}, from ISET to VSS to program the input current. The R_{ISET} is determined by:

$$R_{ISET} = \frac{K_{ISET}}{I_{IN_LIMIT}} = \frac{1000A \times \Omega}{I_{IN_LIMIT}} = 2000\Omega \quad (5)$$

Set 0°C to 45°C charger operating temperature range (TS): The value of R1 and R2 are:

$$R2 = \frac{-RHOT \times RCOLD \times (0.125 - 0.250)}{RHOT \times 0.250 \times (0.125 - 1) + RCOLD \times 0.125 \times (1 - 0.250)} = 11.3k\Omega \quad (6)$$

$$R1 = \frac{-R2 \times RHOT \times (0.125 - 1)}{0.125 \times (R2 + RHOT)} = 24.0k\Omega \quad (7)$$

RHOT: 4.911kΩ, the resistor value of Semitec NTC 103AT-2 at 45°C;

RCOLD: 27.28kΩ, the resistor value of Semitec NTC 103AT-2 at 0°C.

External FET Controller (BGATE): On Figure 1, BGATE drives an external P-channel FET that connects the battery to the system output. When power is first applied to either VBAT or VIN, the device sources a typical 50µA small current out of BGATE and monitors the voltage. If BGATE voltage is higher than logic high in first 1ms and stays high for at least 2ms, the external power path control feature is enabled and VLOWV is set to 2.9V. The OUT pin maintains voltage at VOUT(REG).

In Figure 2, BGATE is connected to Vss. The external power path control feature is disabled and VLOWV is set to 2.5V. The OUT pin shorts to BAT.

Status Indicators (CHG): The CHG pin is open drain output. If used, CHG pin should be pulled up via a resistor and possibly a LED to a power source. If monitored by a host, the host pull-up power source should be used.

Thermal Considerations

The bq25060 is packaged in a thermally enhanced QFN package. The package includes a thermal pad to provide an effective thermal contact between the IC and the printed circuit board (PCB). Full PCB design guidelines for this package are provided in the application note entitled: *QFN/SON PCB Attachment Application Note (SLUA271)*.

The most common measure of package thermal performance is thermal impedance (θ_{JA}) measured (or modeled) from the chip junction to the air surrounding the package surface (ambient). The mathematical expression for θ_{JA} is:

$$\theta_{JA} = \frac{T_J - T_A}{P_D} \quad (8)$$

Where:

- T_J = chip junction temperature
- T_A = ambient temperature
- P_D = device power dissipation

Factors that can greatly influence the measurement and calculation of θ_{JA} include:

- Whether or not the device is board mounted
- Trace size, composition, thickness, and geometry
- Orientation of the device (horizontal or vertical)
- Volume of the ambient air surrounding the device under test and airflow
- Whether other surfaces are in close proximity to the device being tested

The device power dissipation, P_D , is a function of the charge rate and the voltage drop across the internal PowerFET. It can be calculated from the following equation when a battery pack is being charged:

$$P_D = (V_{IN} - V_{OUT}) \times I_{OUT} \quad (9)$$

Due to the charge profile of Li-Ion batteries the maximum power dissipation is typically seen at the beginning of the charge cycle when the battery voltage is at its lowest. See the charging profile, [Figure 18](#). If the board thermal design is not adequate the programmed fast charge rate current may not be achieved under maximum input voltage and minimum battery voltage, as the thermal loop can be active, effectively reducing the charge current to avoid excessive IC junction temperature

PCB Layout Considerations

It is important to pay special attention to the PCB layout. The following provides some guidelines:

- To obtain optimal performance, the decoupling capacitor from IN to GND (thermal pad) and the output filter capacitors from OUT to GND (thermal pad) should be placed as close as possible to the bq25060, with short trace runs to both IN, OUT and GND (thermal pad).
- All low-current GND connections should be kept separate from the high-current charge or discharge paths from the battery. Use a single-point ground technique incorporating both the small signal ground path and the power ground path.
- The high current charge paths into IN pin and from the OUT pin must be sized appropriately for the maximum charge current in order to avoid voltage drops in these traces.
- The bq25060 is packaged in a thermally enhanced SON package. The package includes a thermal pad to provide an effective thermal contact between the IC and the printed circuit board (PCB); this thermal pad is also the main ground connection for the device. Connect the thermal pad to the PCB ground connection. Full PCB design guidelines for this package are provided in the application note entitled: *QFN/SON PCB Attachment Application Note (SLUA271)*.

PACKAGING INFORMATION

Orderable Device	Status ⁽¹⁾	Package Type	Package Drawing	Pins	Package Qty	Eco Plan ⁽²⁾	Lead/Ball Finish	MSL Peak Temp ⁽³⁾
BQ25060DQCR	ACTIVE	WSON	DQC	10	3000	Green (RoHS & no Sb/Br)	CU NIPDAU	Level-2-260C-1 YEAR
BQ25060DQCT	ACTIVE	WSON	DQC	10	250	Green (RoHS & no Sb/Br)	CU NIPDAU	Level-2-260C-1 YEAR

⁽¹⁾ The marketing status values are defined as follows:

ACTIVE: Product device recommended for new designs.

LIFEBUY: TI has announced that the device will be discontinued, and a lifetime-buy period is in effect.

NRND: Not recommended for new designs. Device is in production to support existing customers, but TI does not recommend using this part in a new design.

PREVIEW: Device has been announced but is not in production. Samples may or may not be available.

OBsolete: TI has discontinued the production of the device.

⁽²⁾ Eco Plan - The planned eco-friendly classification: Pb-Free (RoHS), Pb-Free (RoHS Exempt), or Green (RoHS & no Sb/Br) - please check <http://www.ti.com/productcontent> for the latest availability information and additional product content details.

TBD: The Pb-Free/Green conversion plan has not been defined.

Pb-Free (RoHS): TI's terms "Lead-Free" or "Pb-Free" mean semiconductor products that are compatible with the current RoHS requirements for all 6 substances, including the requirement that lead not exceed 0.1% by weight in homogeneous materials. Where designed to be soldered at high temperatures, TI Pb-Free products are suitable for use in specified lead-free processes.

Pb-Free (RoHS Exempt): This component has a RoHS exemption for either 1) lead-based flip-chip solder bumps used between the die and package, or 2) lead-based die adhesive used between the die and leadframe. The component is otherwise considered Pb-Free (RoHS compatible) as defined above.

Green (RoHS & no Sb/Br): TI defines "Green" to mean Pb-Free (RoHS compatible), and free of Bromine (Br) and Antimony (Sb) based flame retardants (Br or Sb do not exceed 0.1% by weight in homogeneous material)

⁽³⁾ MSL, Peak Temp. -- The Moisture Sensitivity Level rating according to the JEDEC industry standard classifications, and peak solder temperature.

Important Information and Disclaimer:The information provided on this page represents TI's knowledge and belief as of the date that it is provided. TI bases its knowledge and belief on information provided by third parties, and makes no representation or warranty as to the accuracy of such information. Efforts are underway to better integrate information from third parties. TI has taken and continues to take reasonable steps to provide representative and accurate information but may not have conducted destructive testing or chemical analysis on incoming materials and chemicals. TI and TI suppliers consider certain information to be proprietary, and thus CAS numbers and other limited information may not be available for release.

In no event shall TI's liability arising out of such information exceed the total purchase price of the TI part(s) at issue in this document sold by TI to Customer on an annual basis.

TAPE AND REEL INFORMATION



QUADRANT ASSIGNMENTS FOR PIN 1 ORIENTATION IN TAPE



*All dimensions are nominal

Device	Package Type	Package Drawing	Pins	SPQ	Reel Diameter (mm)	Reel Width W1 (mm)	A0 (mm)	B0 (mm)	K0 (mm)	P1 (mm)	W (mm)	Pin1 Quadrant
BQ25060DQCR	WSON	DQC	10	3000	330.0	12.4	2.3	3.3	0.85	4.0	12.0	Q1
BQ25060DQCT	WSON	DQC	10	250	180.0	12.4	2.3	3.3	0.85	4.0	12.0	Q1

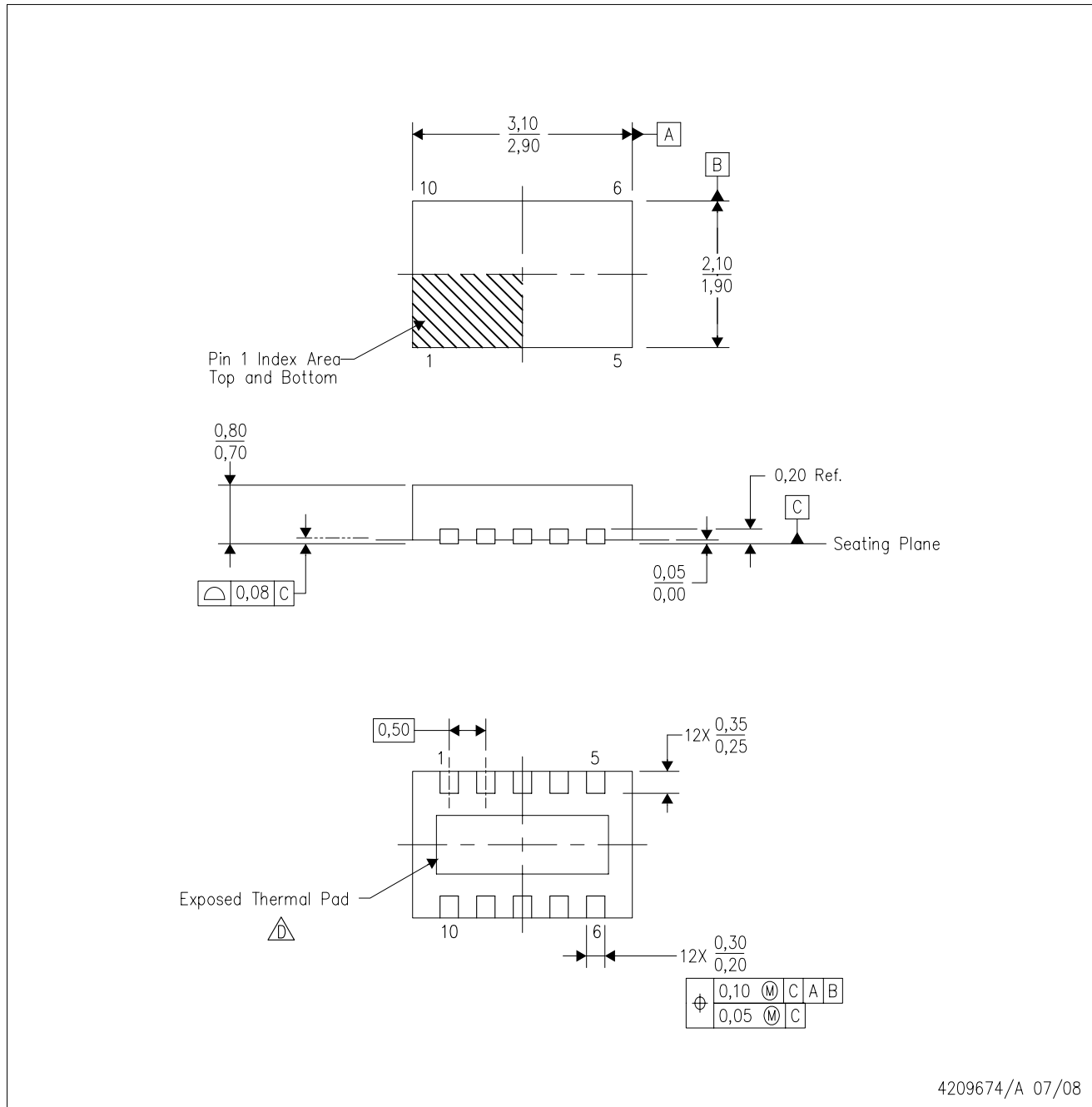
TAPE AND REEL BOX DIMENSIONS



*All dimensions are nominal

Device	Package Type	Package Drawing	Pins	SPQ	Length (mm)	Width (mm)	Height (mm)
BQ25060DQCR	WSON	DQC	10	3000	346.0	346.0	29.0
BQ25060DQCT	WSON	DQC	10	250	190.5	212.7	31.8

DQC (R-PWSON-N10)

PLASTIC SMALL OUTLINE NO-LEAD



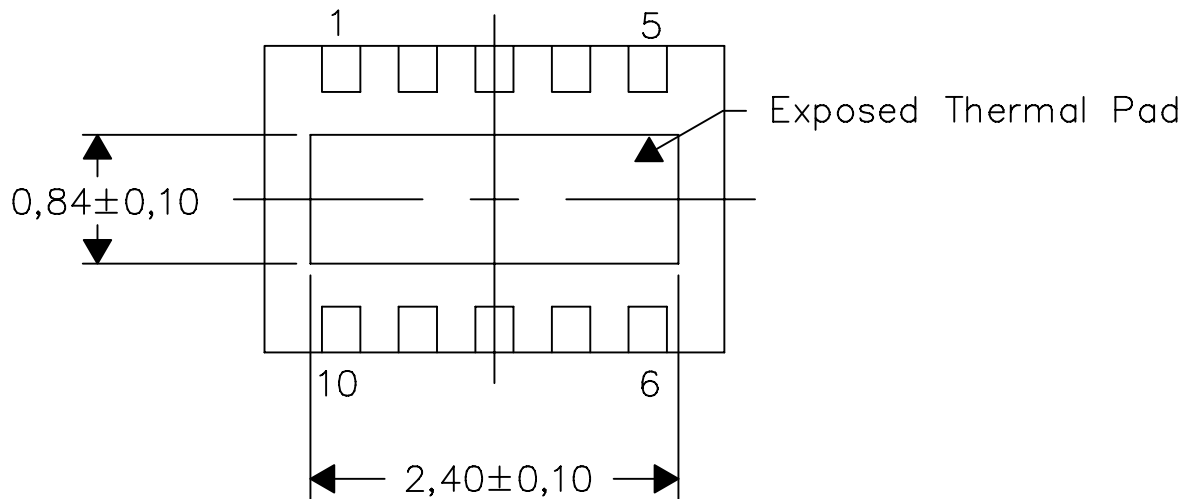
- NOTES:
- A. All linear dimensions are in millimeters. Dimensioning and tolerancing per ASME Y14.5M-1994.
 - B. This drawing is subject to change without notice.
 - C. SON (Small Outline No-Lead) package configuration.
 -  The package thermal pad must be soldered to the board for thermal and mechanical performance. See the Product Data Sheet for details regarding the exposed thermal pad dimensions.

THERMAL INFORMATION

This package incorporates an exposed thermal pad that is designed to be attached directly to an external heatsink. The thermal pad must be soldered directly to the printed circuit board (PCB). After soldering, the PCB can be used as a heatsink. In addition, through the use of thermal vias, the thermal pad can be attached directly to the appropriate copper plane shown in the electrical schematic for the device, or alternatively, can be attached to a special heatsink structure designed into the PCB. This design optimizes the heat transfer from the integrated circuit (IC).

For information on the Quad Flatpack No-Lead (QFN) package and its advantages, refer to Application Report, QFN/SON PCB Attachment, Texas Instruments Literature No. SLUA271. This document is available at www.ti.com.

The exposed thermal pad dimensions for this package are shown in the following illustration.



Bottom View

NOTE: All linear dimensions are in millimeters

Exposed Thermal Pad Dimensions

IMPORTANT NOTICE

Texas Instruments Incorporated and its subsidiaries (TI) reserve the right to make corrections, modifications, enhancements, improvements, and other changes to its products and services at any time and to discontinue any product or service without notice. Customers should obtain the latest relevant information before placing orders and should verify that such information is current and complete. All products are sold subject to TI's terms and conditions of sale supplied at the time of order acknowledgment.

TI warrants performance of its hardware products to the specifications applicable at the time of sale in accordance with TI's standard warranty. Testing and other quality control techniques are used to the extent TI deems necessary to support this warranty. Except where mandated by government requirements, testing of all parameters of each product is not necessarily performed.

TI assumes no liability for applications assistance or customer product design. Customers are responsible for their products and applications using TI components. To minimize the risks associated with customer products and applications, customers should provide adequate design and operating safeguards.

TI does not warrant or represent that any license, either express or implied, is granted under any TI patent right, copyright, mask work right, or other TI intellectual property right relating to any combination, machine, or process in which TI products or services are used. Information published by TI regarding third-party products or services does not constitute a license from TI to use such products or services or a warranty or endorsement thereof. Use of such information may require a license from a third party under the patents or other intellectual property of the third party, or a license from TI under the patents or other intellectual property of TI.

Reproduction of TI information in TI data books or data sheets is permissible only if reproduction is without alteration and is accompanied by all associated warranties, conditions, limitations, and notices. Reproduction of this information with alteration is an unfair and deceptive business practice. TI is not responsible or liable for such altered documentation. Information of third parties may be subject to additional restrictions.

Resale of TI products or services with statements different from or beyond the parameters stated by TI for that product or service voids all express and any implied warranties for the associated TI product or service and is an unfair and deceptive business practice. TI is not responsible or liable for any such statements.

TI products are not authorized for use in safety-critical applications (such as life support) where a failure of the TI product would reasonably be expected to cause severe personal injury or death, unless officers of the parties have executed an agreement specifically governing such use. Buyers represent that they have all necessary expertise in the safety and regulatory ramifications of their applications, and acknowledge and agree that they are solely responsible for all legal, regulatory and safety-related requirements concerning their products and any use of TI products in such safety-critical applications, notwithstanding any applications-related information or support that may be provided by TI. Further, Buyers must fully indemnify TI and its representatives against any damages arising out of the use of TI products in such safety-critical applications.

TI products are neither designed nor intended for use in military/aerospace applications or environments unless the TI products are specifically designated by TI as military-grade or "enhanced plastic." Only products designated by TI as military-grade meet military specifications. Buyers acknowledge and agree that any such use of TI products which TI has not designated as military-grade is solely at the Buyer's risk, and that they are solely responsible for compliance with all legal and regulatory requirements in connection with such use.

TI products are neither designed nor intended for use in automotive applications or environments unless the specific TI products are designated by TI as compliant with ISO/TS 16949 requirements. Buyers acknowledge and agree that, if they use any non-designated products in automotive applications, TI will not be responsible for any failure to meet such requirements.

Following are URLs where you can obtain information on other Texas Instruments products and application solutions:

Products		Applications	
Amplifiers	amplifier.ti.com	Audio	www.ti.com/audio
Data Converters	dataconverter.ti.com	Automotive	www.ti.com/automotive
DLP® Products	www.dlp.com	Communications and Telecom	www.ti.com/communications
DSP	dsp.ti.com	Computers and Peripherals	www.ti.com/computers
Clocks and Timers	www.ti.com/clocks	Consumer Electronics	www.ti.com/consumer-apps
Interface	interface.ti.com	Energy	www.ti.com/energy
Logic	logic.ti.com	Industrial	www.ti.com/industrial
Power Mgmt	power.ti.com	Medical	www.ti.com/medical
Microcontrollers	microcontroller.ti.com	Security	www.ti.com/security
RFID	www.ti-rfid.com	Space, Avionics & Defense	www.ti.com/space-avionics-defense
RF/IF and ZigBee® Solutions	www.ti.com/lprf	Video and Imaging	www.ti.com/video
		Wireless	www.ti.com/wireless-apps

Mailing Address: Texas Instruments, Post Office Box 655303, Dallas, Texas 75265
Copyright © 2010, Texas Instruments Incorporated