



STRATAXGS™ BCM5655 INTEGRATED MULTI-LAYER SWITCH

FEATURES

- 48 x 10/100 Mbps, 4 x 10/100/1000 Mbps Ethernet ports
- Integrated L2 table with auto learning/aging
- Integrated L3 table with longest prefix match
- Double 802.1Q (Q in Q) VLAN stacking
- MPLS Tunnel/VC packet labeling for L2 VPN
- Scalable to hundreds Fast/Gigabit Ethernet in a system
- 8 Classes of Service (COS) with WRED and WRR, DSCP/802.1p priority
- Spanning trees (802.1s and 802.1w)
- 32 link aggregation trunk groups; ECMP/WCMP; mirroring
- IPMC groups and hardware packet replication
- Flow control (802.3x) and HOL blocking prevention
- 64-bit DDR SDRAM with up to 32 MB of buffer memory
- ContentAware™ network processing per port
 - Line-rate, multi-field packet classification
 - Support for 802.1p, TOS/DiffServ, rate limiting, policing, and priority/VLAN (single or double) tagging and remapping

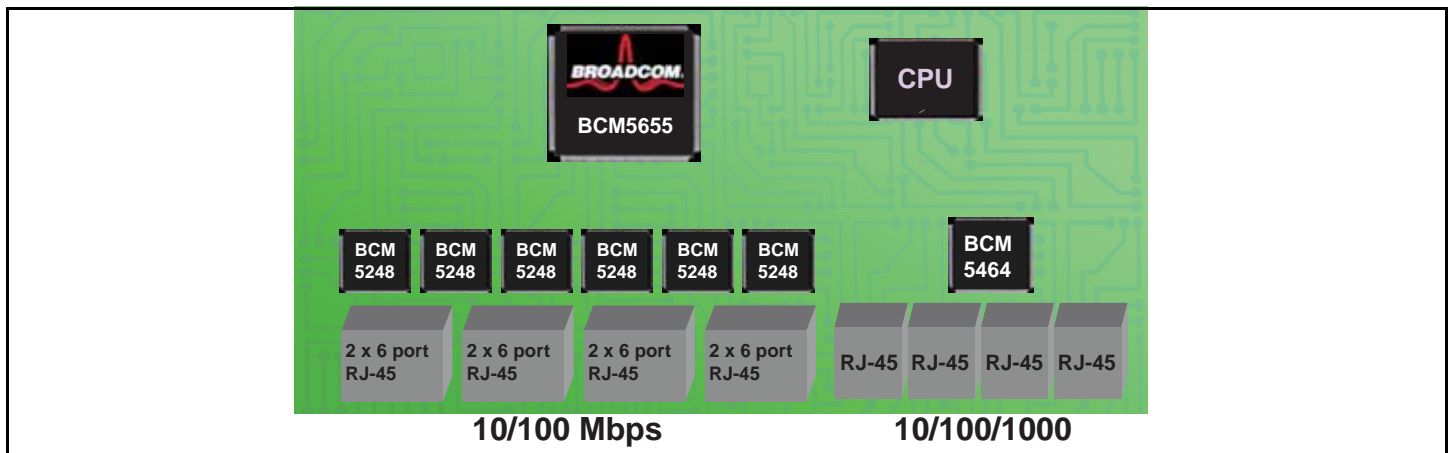
SUMMARY OF BENEFITS

- High-density 10/100/1000 Mbps L2/L3 Ethernet switches
- New service offerings for ISPs
 - Metro Ethernet-L2 VLAN (Q-in-Q) and MPLS VPN
 - Voice over IP-guaranteed low latency prioritization
- Advanced traffic management-metering, shaping, and scheduling (SP, RR, WRR, WFQ), down to 64-kbps flows
- ContentAware classification, tagging, and remapping provides maximum security and flexibility
- Broadcom switch API compatibility enables software reuse and faster time-to-market

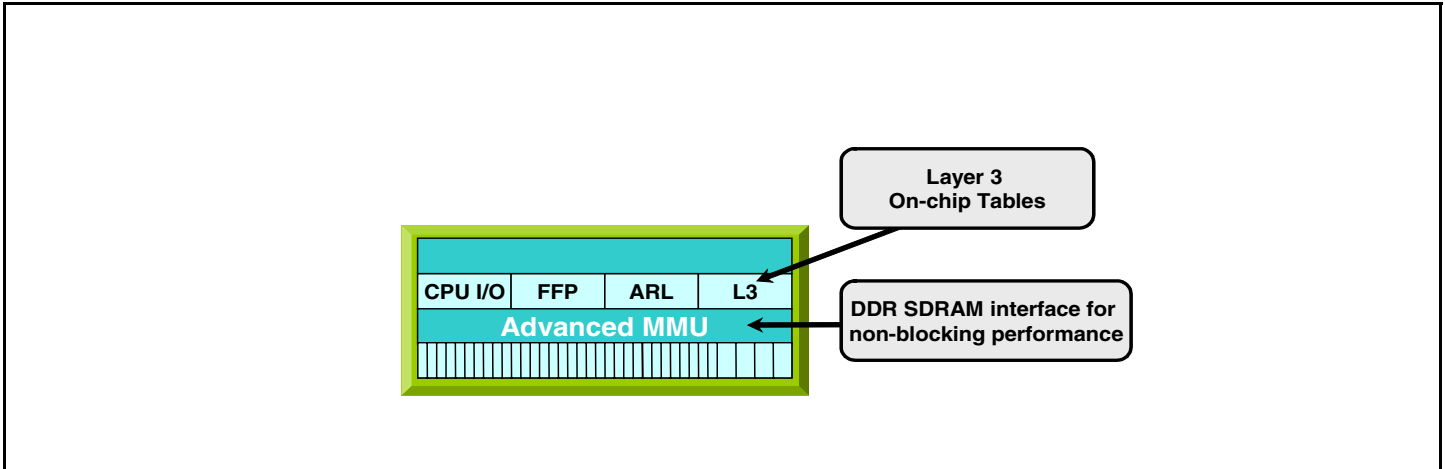
TARGET APPLICATIONS

- Multi-tenant unit (MTU) Metro Ethernet VPN multi-layer switches
- Service Provider Metro Ethernet VPN Edge Switches

BCM5655 Application Diagram



OVERVIEW



BCM5655 Block Diagram

The BCM5655 network switch is the most advanced multi-layer, single chip solution for high density 48 x 10/100 Mbps ports and 4 x 10/100/1000 Mbps Ethernet uplinks.

Designed for multi-layer switching, the BCM5655 offers hardware switching on both L2 and L3 traffic. Filtering, policing, priority tagging can be performed in real time with no impact on forwarding performance.

Supporting the latest Metro Ethernet L2 VPN applications, the BCM5655 offers double 802.1Q VLAN stacking, also known as Q-in-Q. This allows enterprise and service provider networks to breakthrough the 4K VLAN tag limitation. Furthermore, the BCM5655 also provides MPLS Tunnel/VC packet labeling for standards-based IETF L2 VPN via MPLS.

With 8 Class of Service (CoS) queues via SP, RR, WFQ and WRR distribution, the BCM5655 enables full range of service applications such as low latency VoIP and real time video, as well as mission critical data.

Optimized for the most demanding network switching requirements, the BCM5655 integrates an auto-learning/aging MAC and IP LPM tables.

Advanced Ethernet features such as multiple and rapid spanning tree (802.1s and 802.1w), flow control (802.3x), prioritization (802.1p) and 9K jumbo frame are fully integrated. For load balancing as well as redundancy purposes, ECMP and WCMP are incorporated. Up to 32 trunk groups (eight links per group) can be assigned for link aggregation (802.3ad).

Providing line rate packet filtering and classification, the advanced Fast Filter Processor (FFP) offers ContentAware™ network processing per port. It supports TOS/DiffServ, rate limiting, policing, shaping, metering, scheduling, priority tagging, and remapping down to flows as small as 64 kbps, making it ideal for committed bandwidth usage and firewall applications.

Designed for increasing multicast applications, the BCM5655 supports L2/L3 multicast packets via hardware replication. IPMC packets are hardware replicated up to 8 and 32 VLANs across the Fast and Gigabit Ethernet ports, respectively. Multicast traffic can also be managed by three port filtering modes to control the distribution behavior.

Broadcom®, the pulse logo, and **Connecting everything®** are trademarks of Broadcom Corporation and/or its subsidiaries in the United States and certain other countries. All other trademarks mentioned are the property of their respective owners.

Connecting
everything®



BROADCOM CORPORATION
16215 Alton Parkway, P.O. Box 57013
Irvine, California 92619-7013

© 2004 by BROADCOM CORPORATION. All rights reserved.

5655-PB03-R 10/12/04

Phone: 949-450-8700
Fax: 949-450-8710
E-mail: info@broadcom.com
Web: www.broadcom.com