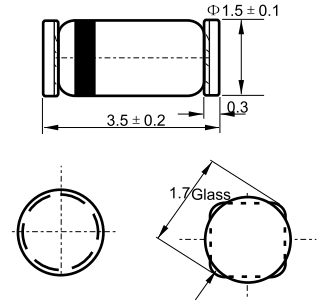




MINI MELF



Dimension in millimeters

Features

- ✧ For general applications
- ✧ Low turn-on voltage
- ✧ PN junction guard ring

Mechanical Data

- ✧ Glass case
- ✧ Weight: 0.05g (approx)

Maximum Ratings and Electrical Characteristics

Rating at 25°C ambient temperature unless otherwise specified.
 Single phase, half wave, 60 Hz, resistive or inductive load.
 For capacitive load, derate current by 20%

Characteristic	Symbol	Value	Unit
Continuous reverse voltage	V_R	30	V
Forward continuous current*	I_F	200	mA
Peak forward current*	I_{FM}	300	mA
Surge forward current* @ $t_p = 1s$	I_{FSM}	600	mA
Power dissipation* @ $T_A = 65^\circ C$	P_{tot}	200	mW
Junction temperature	T_j	125	$^\circ C$
Operating temperature range	T_A	-65 to +125	$^\circ C$
Storage temperature range	T_{STG}	-65 to +150	$^\circ C$

Electrical Characteristics @ $T_j = 25^\circ C$ unless otherwise specified

Characteristic	Symbol	Min	Typ	Max	Unit
Reverse breakdown voltage 10 μA pulses	$V_{(BR)R}$	30	—	—	V

* Valid provided that electrodes are kept at ambient temperature.

Characteristics ($T_j = 25^\circ\text{C}$ unless otherwise specified)

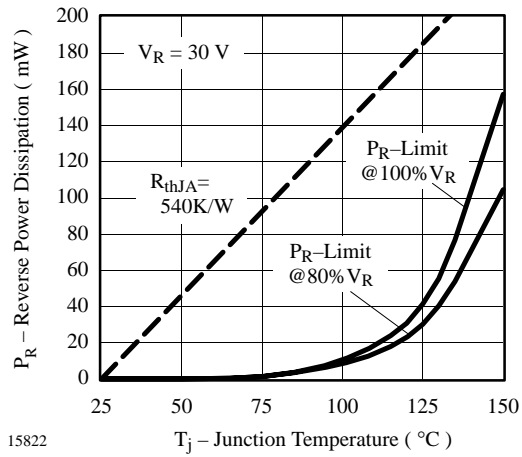


Figure 1. Max. Reverse Power Dissipation vs. Junction Temperature

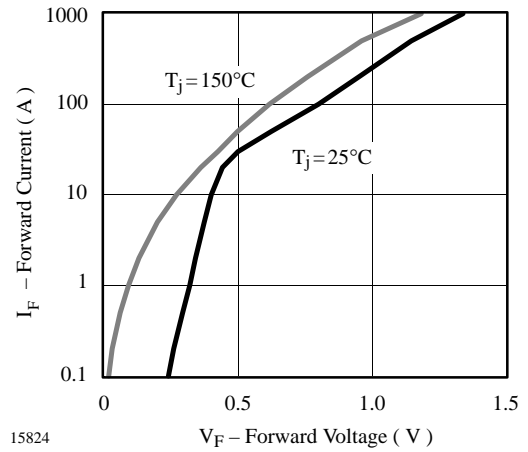


Figure 3. Forward Current vs. Forward Voltage

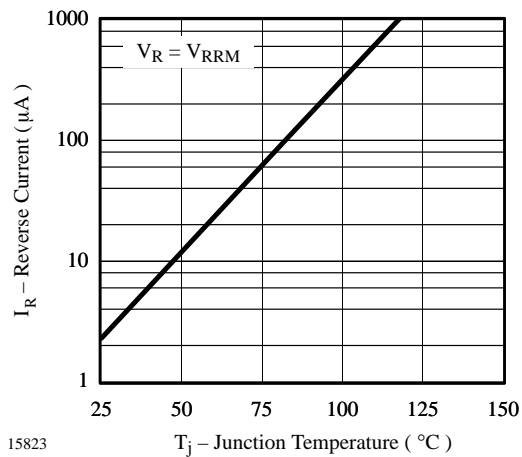


Figure 2. Reverse Current vs. Junction Temperature

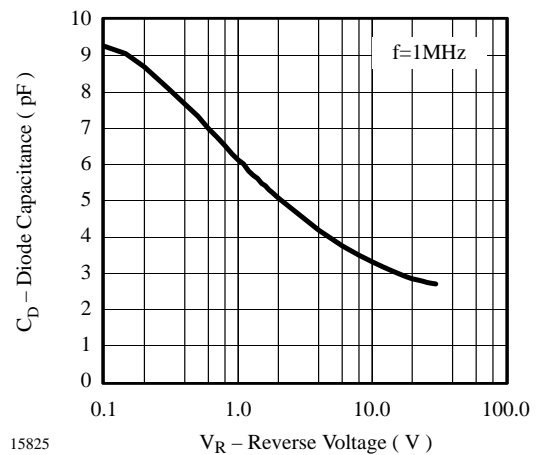


Figure 4. Diode Capacitance vs. Reverse Voltage