

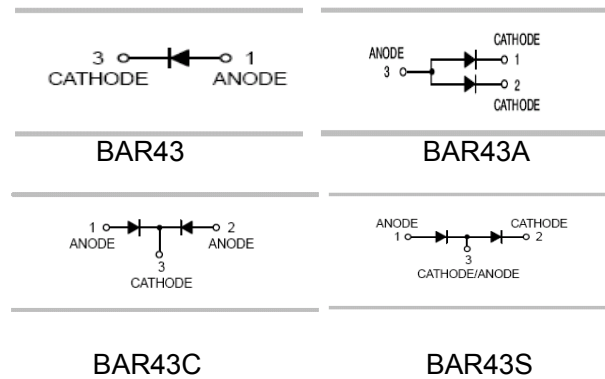
Features

- Extremely Fast switching speed.
- Low forward voltage.
- Power dissipation $P_d=200\text{mW}$.
- Pb-Free package is available.

Applications

- Fast switching speed diode

SOT-23



Ordering Information

Type No.	Marking	Package Code
BAR43	D95	SOT-23
BAR43A	DB1	SOT-23
BAR43C	DB2	SOT-23
BAR43S	DA5	SOT-23

MAXIMUM RATING @ $T_a=25^\circ\text{C}$ unless otherwise specified

Parameter	Symbol	Limits	Unit
Peak Repetitive Peak reverse voltage	V_{RRM}	30	V
Working Peak Reverse Voltage	V_{RWM}		
DC Reverse Voltage	V_R		
Forward Continuous Current	I_F	200	mA
Non-repetitive peak forward surge Current	I_{FSM}	750	mA
Power Dissipation	P_d	290	mW
Thermal resistance, Junction to temperature	$R_{\theta JA}$	430	$^\circ\text{C/W}$
Storage temperature	T_{STG}	-55 to +150	$^\circ\text{C}$

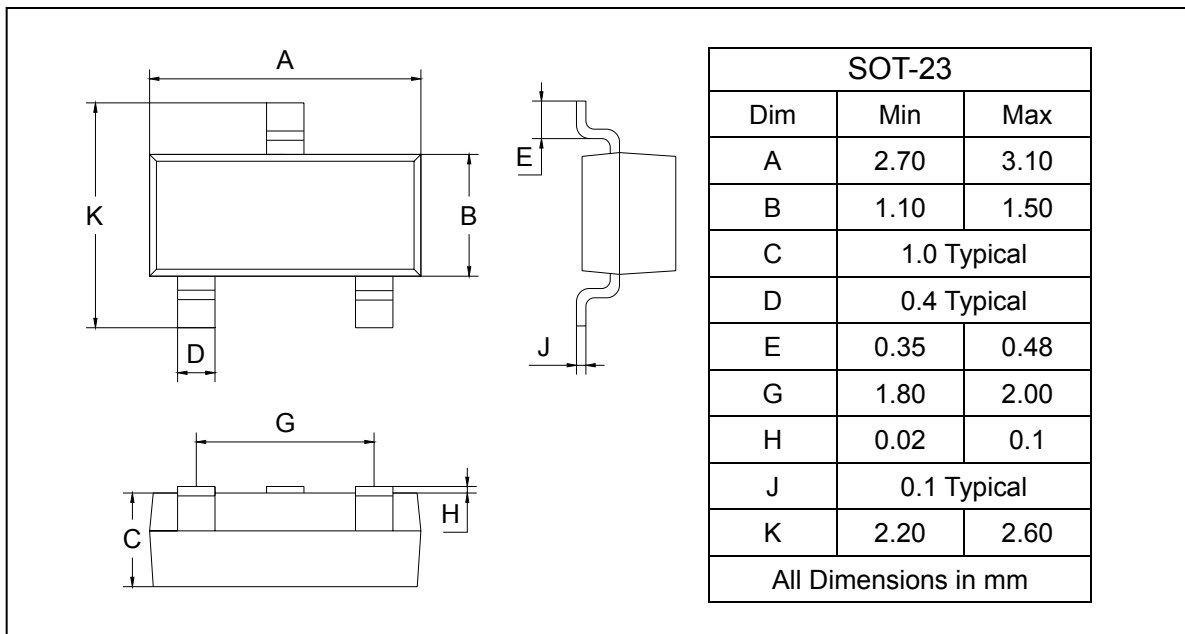
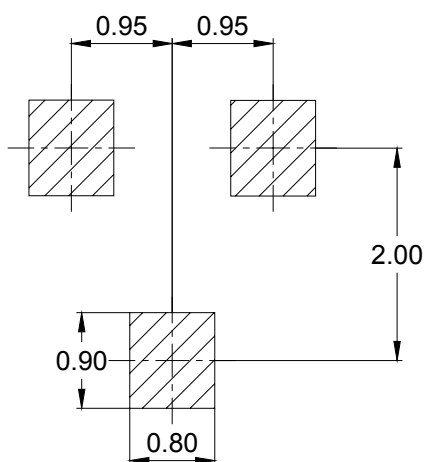
ELECTRICAL CHARACTERISTICS @ Ta=25°C unless otherwise specified

Parameter	Symbol	Min.	Typ.	Max.	Unit	Conditions
Reverse Breakdown Voltage	$V_{(BR)}$	30			V	$I_R=100\mu A$
Forward voltage	V_{F1}	0.26		0.33	V	$I_F=2.0mA$
	V_{F2}			0.45	V	$I_F=15mA$
	V_{F3}			1.0	V	$I_F=100mA$
Reverse current	I_R			0.5 100	μA μA	$V_R=25V$ $V_R=25V, T_A=100^\circ C$
Diode Capacitance	C_D			10	pF	$V_R=1V, f=1MHz$
Reverse Recovery Time	t_{rr}			5	ns	$I_F=I_R=10mA$ $I_{rr}=0.1I_R, R_L=100\Omega$

PACKAGE OUTLINE

Plastic surface mounted package

SOT-23


SOLDERING FOOTPRINT


Unit : mm

PACKAGE	SPQ/PCS	CARTON SPQ/PCS	CARTON SIZE/CM	CARTON GW/KG	CARTON NW/KG
SOT-23	3000/REEL	90000	40X20X22	5.00	4.00