

## Features

- Serial Peripheral Interface (SPI) Compatible
- Supports SPI Modes 0 (0,0) and 3 (1,1)
  - Data Sheet Describes Mode 0 Operation
- Low-voltage and Standard-voltage Operation
  - $V_{CC} = 1.8V$  to  $5.5V$
- 20 MHz Clock Rate (5V)
- 8-byte Page Mode
- Block Write Protection
  - Protect 1/4, 1/2, or Entire Array
- Write Protect (WP) Pin and Write Disable Instructions for Both Hardware and Software Data Protection
- Self-timed Write Cycle (5 ms max)
- High Reliability
  - Endurance: One Million Write Cycles
  - Data Retention: 100 Years
- Green (Pb/Halogen-free/Rohs Compliant) Packaging Options
- Die Sales: Wafer Form, Waffle Pack, Bumped Wafers

## Description

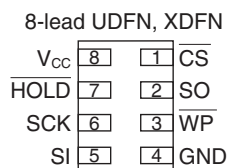
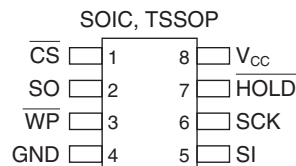
The AT25010B/020B/040B provides 1024/2048/4096 bits of serial electrically erasable programmable read-only memory (EEPROM) organized as 128/256/512 words of 8 bits each. The device is optimized for use in many industrial and commercial applications where low-power and low-voltage operation are essential. The AT25010B/020B/040B is available in space saving, JEDEC SOIC, UDFN, TSSOP, XDFN and VFBGA packages.

The AT25010B/020B/040B is enabled through the Chip Select pin ( $\overline{CS}$ ) and accessed via a three-wire interface consisting of Serial Data Input (SI), Serial Data Output (SO), and Serial Clock (SCK). All programming cycles are completely self-timed, and no separate erase cycle is required before write.

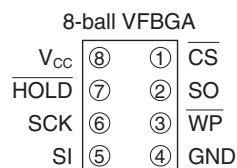
Block write protection is enabled by programming the status register with one of four blocks of write protection. Separate Program Enable and Program disable instructions are provided for additional data protection. Hardware data protection is provided via the  $\overline{WP}$  pin to protect against inadvertent write attempts. The  $\overline{HOLD}$  pin may be used to suspend any serial communication without resetting the serial sequence.

**Table 0-1.** Pin Configuration

Pin Name	Function
$\overline{CS}$	Chip Select
SCK	Serial Data Clock
SI	Serial Data Input
SO	Serial Data Output
GND	Ground
$V_{CC}$	Power Supply
$\overline{WP}$	Write Protect
$\overline{HOLD}$	Suspends Serial Input



Bottom View



Bottom View



## SPI Serial EEPROM

1K (128x8)

2K (256x8)

4K (512x8)

**AT25010B**

**AT25020B**

**AT25040B**

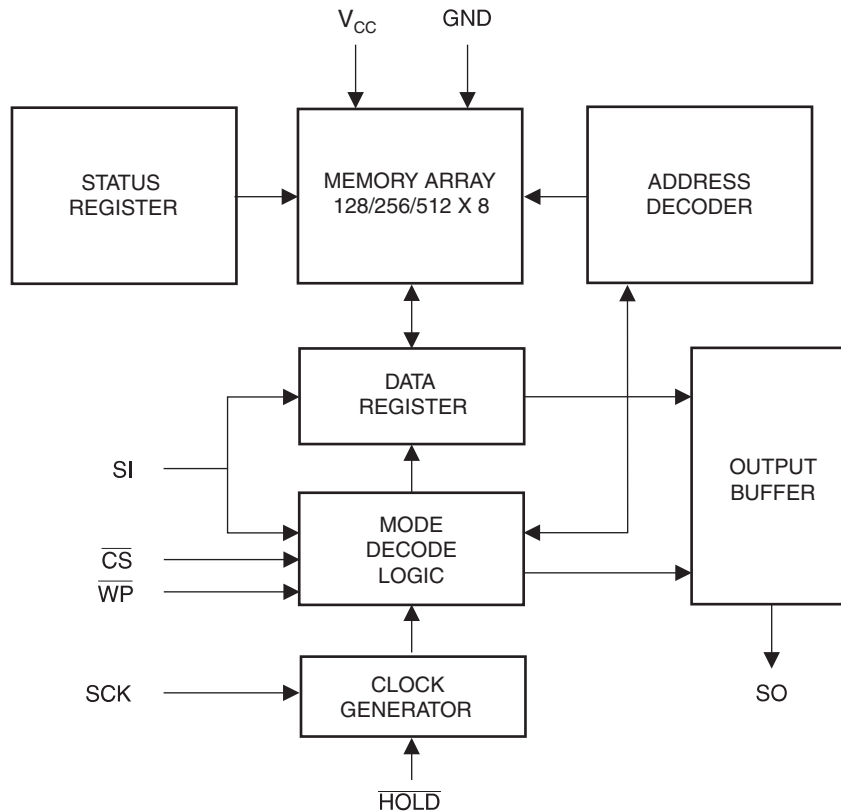


# 1. Absolute Maximum Ratings\*

Operating Temperature .....	-40°C to + 125°C
Storage Temperature.....	-65°C to + 150°C
Voltage on Any Pin with Respect to Ground.....	-1.0V to + 7.0V
Maximum Operating Voltage.....	6.25V
DC Output Current .....	5.0 mA

\*NOTICE: Stresses beyond those listed under “Absolute Maximum Ratings” may cause permanent damage to the device. This is a stress rating only and functional operation of the device at these or any other conditions beyond those indicated in the operational sections of this specification is not implied. Exposure to absolute maximum rating conditions for extended periods may affect device reliability.

Figure 1-1. Block Diagram



**Table 1-1.** Pin Capacitance<sup>(1)</sup>

Applicable over recommended operating range from  $T_A = 25^\circ\text{C}$ ,  $f = 1.0\text{ MHz}$ ,  $V_{CC} = +5.0\text{V}$  (unless otherwise noted)

Symbol	Test Conditions	Max	Units	Conditions
$C_{OUT}$	Output Capacitance (SO)	8	pF	$V_{OUT} = 0\text{V}$
$C_{IN}$	Input Capacitance ( $\overline{CS}$ , SCK, SI, $\overline{WP}$ , HOLD)	6	pF	$V_{IN} = 0\text{V}$

Note: 1. This parameter is characterized and is not 100% tested.

**Table 1-2.** DC Characteristics<sup>(1)</sup>

Applicable over recommended operating range from:  $T_{AI} = -40^\circ\text{C}$  to  $+85^\circ\text{C}$ ,  $V_{CC} = +1.8\text{V}$  to  $+5.5\text{V}$ , (unless otherwise noted)

Symbol	Parameter	Test Condition	Min	Typ	Max	Units
$V_{CC1}$	Supply Voltage		1.8		5.5	V
$V_{CC2}$	Supply Voltage		2.5		5.5	V
$V_{CC3}$	Supply Voltage		4.5		5.5	V
$I_{CC1}$	Supply Current	$V_{CC} = 5.0\text{V}$ at 20 MHz, SO = Open, Read		8.5	10.0	mA
$I_{CC2}$	Supply Current	$V_{CC} = 5.0\text{V}$ at 10 MHz, SO = Open, Read, Write		4.5	5.0	mA
$I_{CC3}$	Supply Current	$V_{CC} = 5.0\text{V}$ at 1 MHz, SO = Open, Read, Write		2.0	3.0	mA
$I_{SB1}$	Standby Current	$V_{CC} = 1.8\text{V}$ , $\overline{CS} = V_{CC}$		0.1	0.5	$\mu\text{A}$
$I_{SB2}$	Standby Current	$V_{CC} = 2.5\text{V}$ , $\overline{CS} = V_{CC}$		0.2	1.0	$\mu\text{A}$
$I_{SB3}$	Standby Current	$V_{CC} = 5.0\text{V}$ , $\overline{CS} = V_{CC}$		2.0	3.5	$\mu\text{A}$
$I_{IL}$	Input Leakage	$V_{IN} = 0\text{V}$ to $V_{CC}$	-3.0			$\mu\text{A}$
$I_{OL}$	Output Leakage	$V_{IN} = 0\text{V}$ to $V_{CC}$ , $T_{AC} = 0^\circ\text{C}$ to $70^\circ\text{C}$	-3.0		3.0	$\mu\text{A}$
$V_{IL}^{(1)}$	Input Low-voltage		-0.6		$V_{CC} \times 0.3$	V
$V_{IH}^{(1)}$	Input High-voltage		$V_{CC} \times 0.7$		$V_{CC} + 0.5$	V
$V_{OL1}$	Output Low-voltage	$3.6\text{V} \leq V_{CC} \leq 5.5\text{V}$			0.4	V
$V_{OH1}$	Output High-voltage			$I_{OL} = 3.0\text{ mA}$ $I_{OH} = -1.6\text{ mA}$	$V_{CC} - 0.8$	
$V_{OL2}$	Output Low-voltage	$1.8\text{V} \leq V_{CC} \leq 3.6\text{V}$			0.2	V
$V_{OH2}$	Output High-voltage			$I_{OL} = 0.15\text{ mA}$ $I_{OH} = -100\ \mu\text{A}$	$V_{CC} - 0.2$	

Note: 1.  $V_{IL}$  min and  $V_{IH}$  max are reference only and are not tested.

**Table 1-3. AC Characteristics**

Applicable over recommended operating range from  $T_{AI} = -40$  to  $+85^{\circ}\text{C}$ ,  $V_{CC} = \text{As Specified}$ ,  
 $CL = 1$  TTL Gate and  $30$  pF (unless otherwise noted)

Symbol	Parameter	Voltage	Min	Max	Units
$f_{SCK}$	SCK Clock Frequency	4.5 – 5.5	0	20	MHz
		2.5 – 5.5	0	10	
		1.8 – 5.5	0	5	
$t_{RI}$	Input Rise Time	4.5 – 5.5		2	$\mu\text{s}$
		2.5 – 5.5		2	
		1.8 – 5.5		2	
$t_{FI}$	Input Fall Time	4.5 – 5.5		2	$\mu\text{s}$
		2.5 – 5.5		2	
		1.8 – 5.5		2	
$t_{WH}$	SCK High Time	4.5 – 5.5	20		ns
		2.5 – 5.5	40		
		1.8 – 5.5	80		
$t_{WL}$	SCK Low Time	4.5 – 5.5	20		ns
		2.5 – 5.5	40		
		1.8 – 5.5	80		
$t_{CS}$	$\overline{CS}$ High Time	4.5 – 5.5	100		ns
		2.5 – 5.5	100		
		1.8 – 5.5	200		
$t_{CSS}$	$\overline{CS}$ Setup Time	4.5 – 5.5	100		ns
		2.5 – 5.5	100		
		1.8 – 5.5	200		
$t_{CSH}$	$\overline{CS}$ Hold Time	4.5 – 5.5	100		ns
		2.5 – 5.5	100		
		1.8 – 5.5	200		
$t_{SU}$	Data In Setup Time	4.5 – 5.5	20		ns
		2.5 – 5.5	40		
		1.8 – 5.5	80		
$t_H$	Data In Hold Time	4.5 – 5.5	20		ns
		2.5 – 5.5	40		
		1.8 – 5.5	80		
$t_{HD}$	$\overline{\text{Hold}}$ Setup Time	4.5 – 5.5	20		ns
		2.5 – 5.5	40		
		1.8 – 5.5	80		
$t_{CD}$	$\overline{\text{Hold}}$ Hold Time	4.5 – 5.5	20		ns
		2.5 – 5.5	40		
		1.8 – 5.5	80		
$t_V$	Output Valid	4.5 – 5.5	0	20	ns
		2.5 – 5.5	0	40	
		1.8 – 5.5	0	80	
$t_{HO}$	Output Hold Time	4.5 – 5.5	0		ns
		2.5 – 5.5	0		
		1.8 – 5.5	0		
$t_{LZ}$	$\overline{\text{Hold}}$ to Output Low Z	4.5 – 5.5	0	25	ns
		2.5 – 5.5	0	50	
		1.8 – 5.5	0	100	

**Table 1-3. AC Characteristics (Continued)**

Applicable over recommended operating range from  $T_{AI} = -40$  to  $+85^{\circ}\text{C}$ ,  $V_{CC} = \text{As Specified}$ ,  $CL = 1$  TTL Gate and  $30$  pF (unless otherwise noted)

Symbol	Parameter	Voltage	Min	Max	Units
$t_{HZ}$	$\overline{\text{Hold}}$ to Output High Z	4.5 – 5.5		25	ns
		2.5 – 5.5		50	
		1.8 – 5.5		100	
$t_{DIS}$	Output Disable Time	4.5 – 5.5		25	ns
		2.5 – 5.5		50	
		1.8 – 5.5		100	
$t_{WC}$	Write Cycle Time	4.5 – 5.5		5	ms
		2.5 – 5.5		5	
		1.8 – 5.5		5	
Endurance <sup>(1)</sup>	5.0V, 25-C, Page Mode		1M		Write Cycles

Note: 1. This parameter is characterized and is not 100% tested.

## 2. Serial Interface Description

**MASTER:** The device that generates the serial clock.

**SLAVE:** Because the serial clock pin (SCK) is always an input, the AT25010B/020B/040B always operates as a slave.

**TRANSMITTER/RECEIVER:** The AT25010B/020B/040B has separate pins designated for data transmission (SO) and reception (SI).

**MSB:** The Most Significant Bit (MSB) is the first bit transmitted and received.

**SERIAL OP-CODE:** After the device is selected with  $\overline{\text{CS}}$  going low, the first byte will be received. This byte contains the op-code that defines the operations to be performed. The op-code also contains address bit A8 in both the read and write instructions.

**INVALID OP-CODE:** If an invalid op-code is received, no data will be shifted into the AT25010B/020B/040B, and the serial output pin (SO) will remain in a high impedance state until the falling edge of  $\overline{\text{CS}}$  is detected again. This will reinitialize the serial communication.

**CHIP SELECT:** The AT25010B/020B/040B is selected when the  $\overline{\text{CS}}$  pin is low. When the device is not selected, data will not be accepted via the SI pin, and the SO pin will remain in a high impedance state.

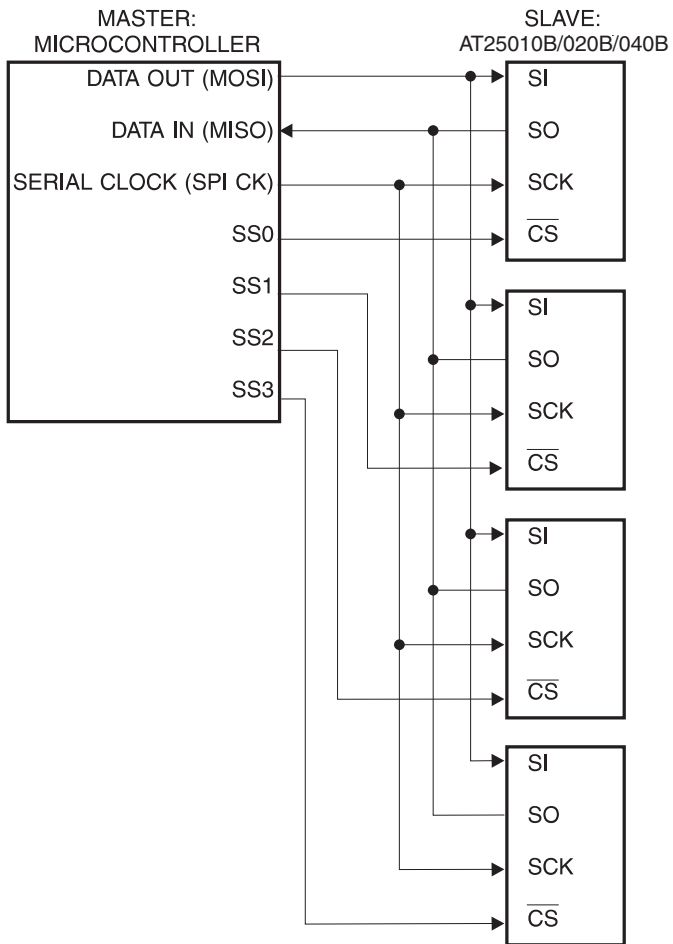
**HOLD:** The  $\overline{\text{HOLD}}$  pin is used in conjunction with the  $\overline{\text{CS}}$  pin to select the AT25010B/020B/040B. When the device is selected and a serial sequence is underway,  $\overline{\text{HOLD}}$  can be used to pause the serial communication with the master device without resetting the serial sequence. To pause, the  $\overline{\text{HOLD}}$  pin must be brought low while the SCK pin is low. To resume serial communication, the  $\overline{\text{HOLD}}$  pin is brought high while the SCK pin is low (SCK may still toggle during  $\overline{\text{HOLD}}$ ). Inputs to the SI pin will be ignored while the SO pin is in the high impedance state.

**WRITE PROTECT:** The write protect pin ( $\overline{\text{WP}}$ ) will allow normal read/write operations when held high. When the  $\overline{\text{WP}}$  pin is brought low, all write operations are inhibited.

$\overline{\text{WP}}$  going low while  $\overline{\text{CS}}$  is still low will interrupt a write to the AT25010B/020B/040B. If the internal write cycle has already been initiated,  $\overline{\text{WP}}$  going low will have no effect on any write operation.



**Figure 2-1. SPI Serial Interface**



## 3. Functional Description

The AT25010B/020B/040B is designed to interface directly with the synchronous serial peripheral interface (SPI) of the 6805 and 68HC11 series of microcontrollers.

The AT25010B/020B/040B utilizes an 8-bit instruction register. The list of instructions and their operation codes are contained in [Figure 3-1](#). All instructions, addresses, and data are transferred with the MSB first and start with a high-to-low  $\overline{CS}$  transition.

**Table 3-1.** Instruction Set for the AT25010B/020B/040B

Instruction Name	Instruction Format	Operation
WREN	0000 X110	Set Write Enable Latch
WRDI	0000 X100	Reset Write Enable Latch
RDSR	0000 X101	Read Status Register
WRSR	0000 X001	Write Status Register
READ	0000 A011	Read Data from Memory Array
WRITE	0000 A010	Write Data to Memory Array

Note: "A" represents MSB address bit A8.

**WRITE ENABLE (WREN):** The device will power up in the write disable state when  $V_{CC}$  is applied. All programming instructions must therefore be preceded by a Write Enable instruction. The  $\overline{WP}$  pin must be held high during a WREN instruction.

**WRITE DISABLE (WRDI):** To protect the device against inadvertent writes, the Write Disable instruction disables all programming modes. The WRDI instruction is independent of the status of the  $\overline{WP}$  pin.

**READ STATUS REGISTER (RDSR):** The Read Status Register instruction provides access to the status register. The read/busy and write enable status of the device can be determined by the RDSR instruction. Similarly, the block write protection bits indicate the extent of protection employed. These bits are set by using the WRSR instruction.

**Table 3-2.** Status Register Format

Bit 7	Bit 6	Bit 5	Bit 4	Bit 3	Bit 2	Bit 1	Bit 0
X	X	X	X	BP1	BP0	WEN	$\overline{RDY}$

**Table 3-3.** Read Status Register Bit Definition

Bit	Definition
Bit 0 ( $\overline{RDY}$ )	Bit 0 = "0" ( $\overline{RDY}$ ) indicates the device is ready. Bit 0 = "1" indicates the write cycle is in progress.
Bit 1 (WEN)	Bit 1 = "0" indicates the device <i>is not</i> write enabled. Bit 1 = "1" indicates the device is write enabled.
Bit 2 (BP0)	See <a href="#">Table 3-4</a> .
Bit 3 (BP1)	See <a href="#">Table 3-4</a> .
Bits 4–7 are "0"s when device is not in an internal write cycle.	
Bits 0–7 are "1"s during an internal write cycle.	



**WRITE STATUS REGISTER (WRSR):** The WRSR instruction allows the user to select one of four levels of protection. The AT25010B/020B/040B is divided into four array segments. One-quarter, one-half, or all of the memory segments can be protected. Any of the data within any selected segment will therefore be read only. The block write protection levels and corresponding status register control bits are shown in Table 3-4.

Bits BP1 and BP0 are nonvolatile cells that have the same properties and functions as the regular memory cells (e.g., WREN,  $t_{WC}$ , RDSR).

**Table 3-4.** Block Write Protect Bits

Level	Status Register Bits		Array Addresses Protected		
	BP1	BP0	AT25010B	AT25020B	AT25040B
0	0	0	None	None	None
1 (1/4)	0	1	60–7F	C0–FF	180–1FF
2 (1/2)	1	0	40–7F	80–FF	100–1FF
3 (All)	1	1	00–7F	00–FF	000–1FF

**READ SEQUENCE (READ):** Reading the AT25010B/020B/040B via the SO pin requires the following sequence. After the  $\overline{CS}$  line is pulled low to select a device, the read op-code (including A8) is transmitted via the SI line followed by the byte address to be read (A7–A0). Upon completion, any data on the SI line will be ignored. The data (D7–D0) at the specified address is then shifted out onto the SO line. If only one byte is to be read, the  $\overline{CS}$  line should be driven high after the data comes out. The read sequence can be continued since the byte address is automatically incremented and data will continue to be shifted out. When the highest address is reached, the address counter will roll over to the lowest address allowing the entire memory to be read in one continuous read cycle.

**WRITE SEQUENCE (WRITE):** In order to program the AT25010B/020B/040B, the Write Protect pin ( $\overline{WP}$ ) must be held high and two separate instructions must be executed. First, the device *must be write enabled* via the WREN instruction. Then a Write (WRITE) instruction may be executed. Also, the address of the memory location(s) to be programmed must be outside the protected address field location selected by the block write protection level. During an internal write cycle, all commands will be ignored except the RDSR instruction.

A Write instruction requires the following sequence. After the  $\overline{CS}$  line is pulled low to select the device, the WRITE op-code (including A8) is transmitted via the SI line followed by the byte address (A7–A0) and the data (D7–D0) to be programmed. Programming will start after the  $\overline{CS}$  pin is brought high. The low-to-high transition of the  $\overline{CS}$  pin must occur during the SCK low time immediately after clocking in the D0 (LSB) data bit.

The ready/busy status of the device can be determined by initiating a Read Status Register (RDSR) instruction. If Bit 0 = “1”, the write cycle is still in progress. If Bit 0 = “0”, the write cycle has ended. Only the RDSR instruction is enabled during the write programming cycle.

The AT25010B/020B/040B is capable of an 8-byte page write operation. After each byte of data is received, the three low-order address bits are internally incremented by one; the six high-order bits of the address will remain constant. If more than 8 bytes of data are transmitted, the address counter will roll over and the previously written data will be overwritten. The AT25010B/020B/040B is automatically returned to the write disable state at the completion of a write cycle.

**Note:** If the  $\overline{WP}$  pin is brought low or if the device is not write enabled (WREN), the device will ignore the Write instruction and will return to the standby state, when  $\overline{CS}$  is brought high. A new CS falling edge is required to reinitiate the serial communication.



## 4. Timing Diagrams

Figure 4-1. Synchronous Data Timing (for Mode 0)

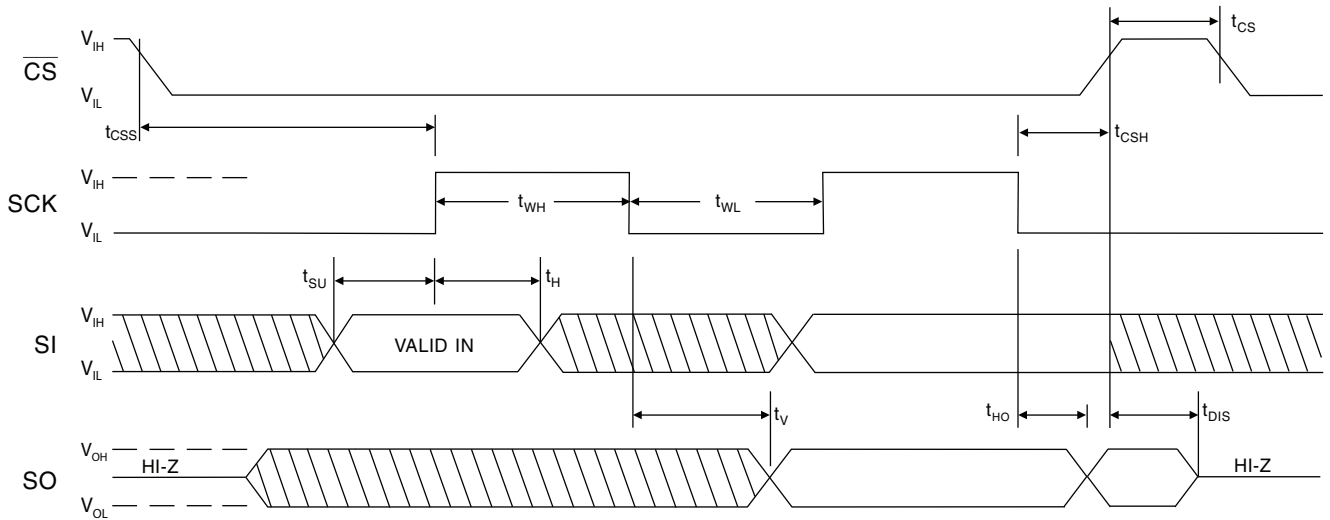


Figure 4-2. WREN Timing

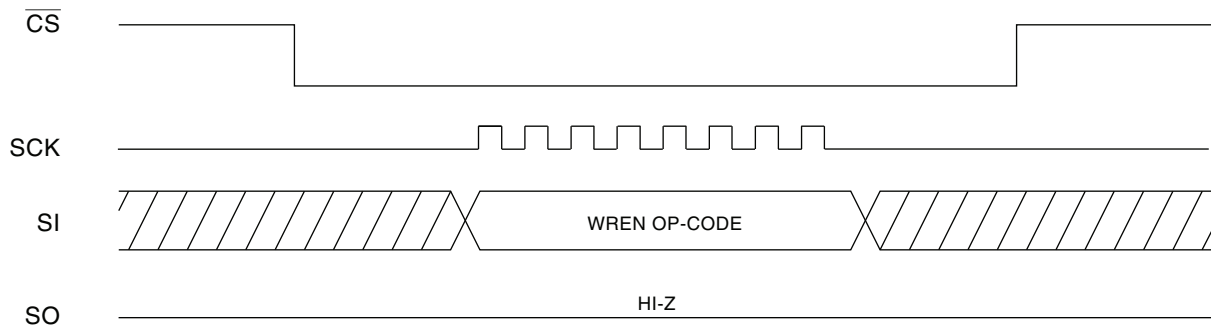
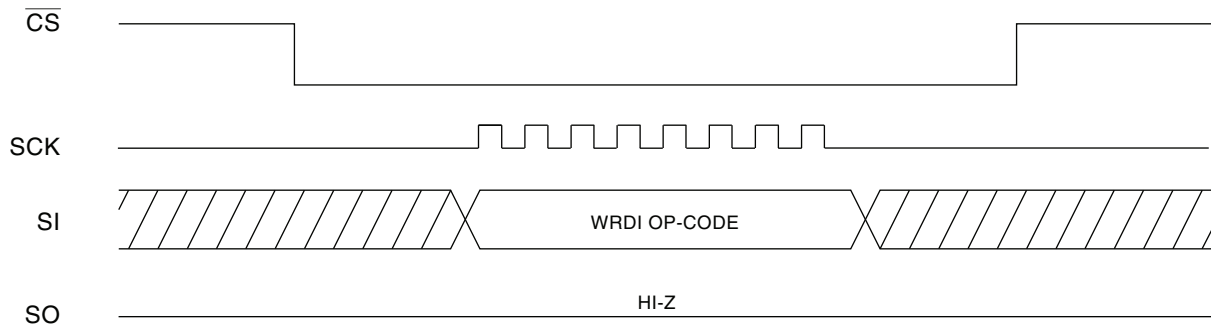
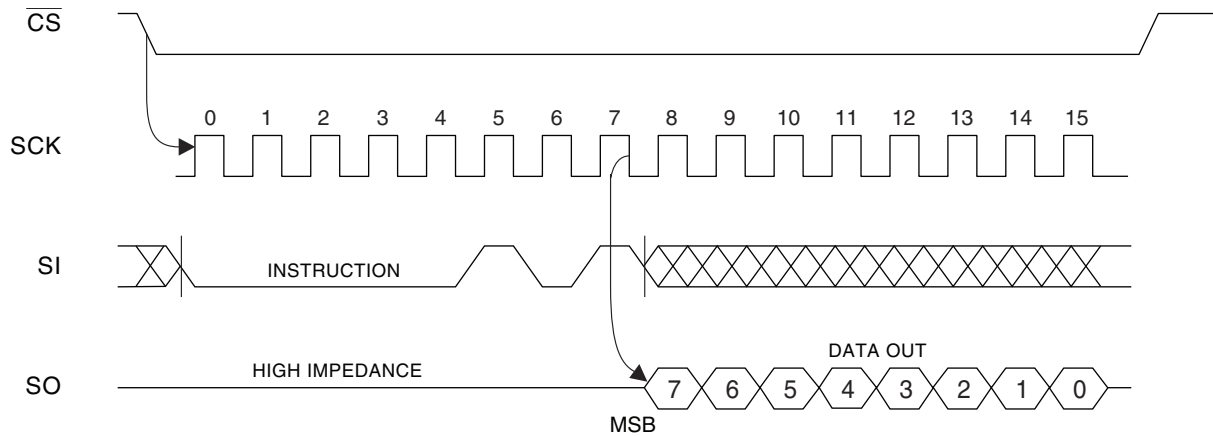


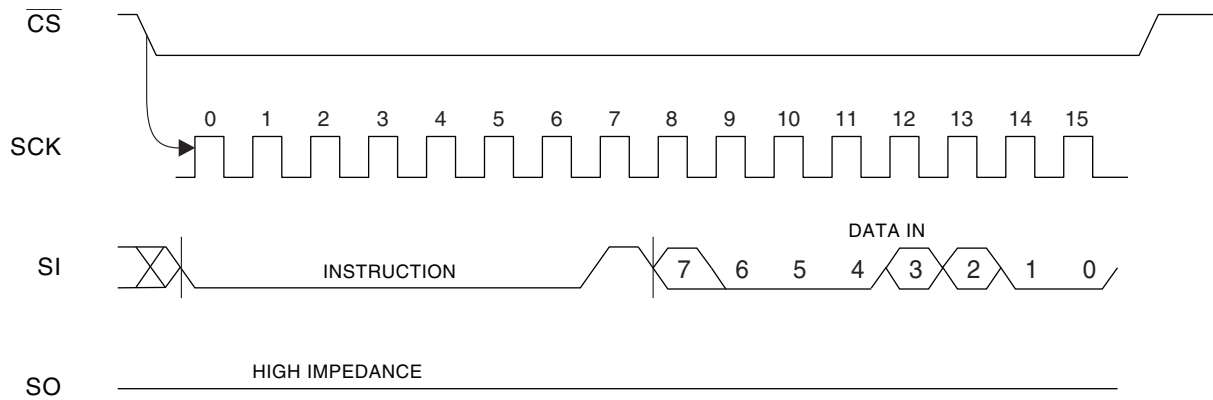
Figure 4-3. WRDI Timing



**Figure 4-4. RDSR Timing**



**Figure 4-5. WRSR Timing**



**Figure 4-6. READ Timing**

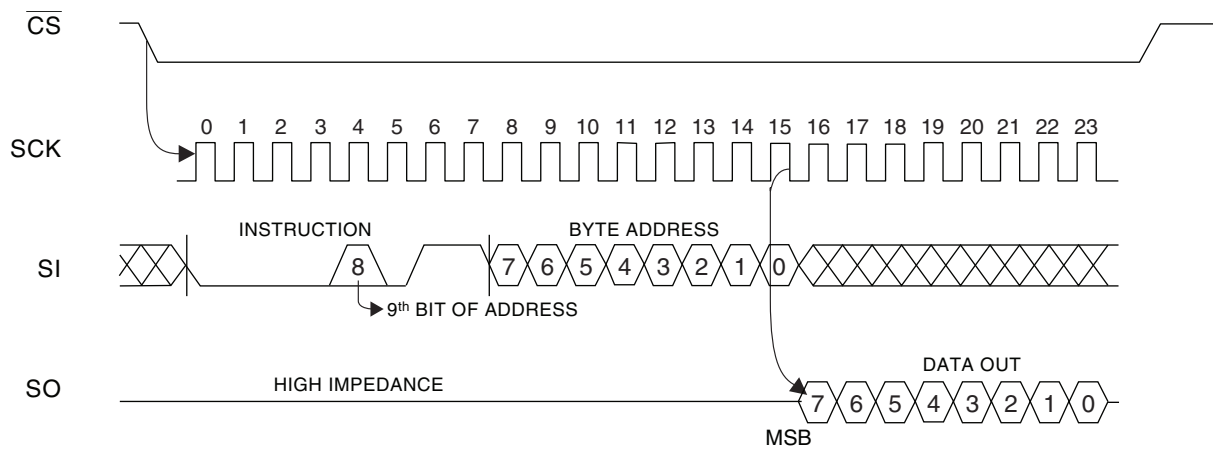


Figure 4-7. WRITE Timing

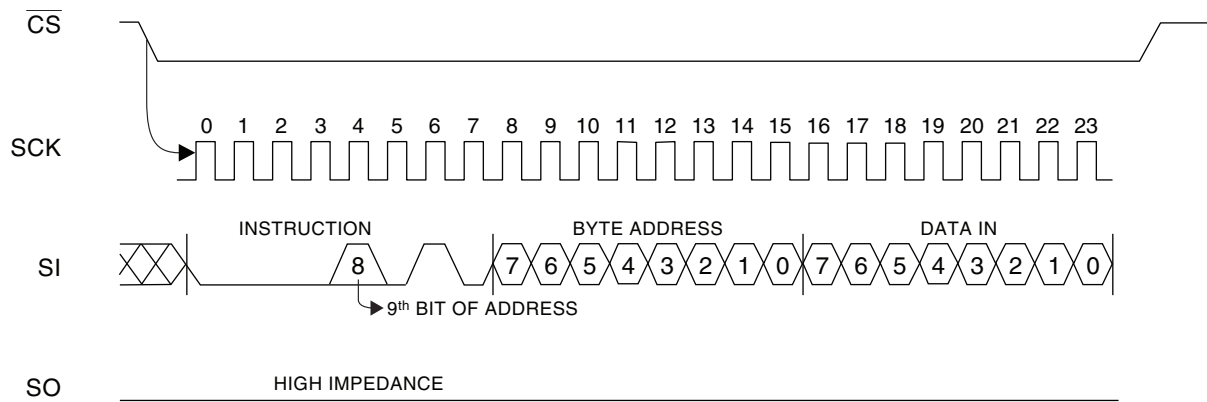
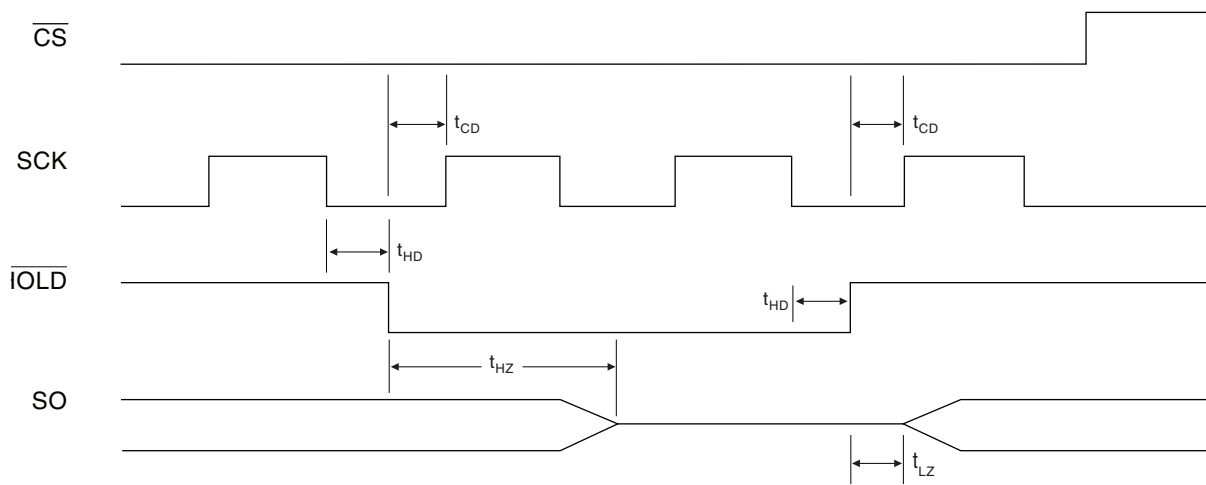
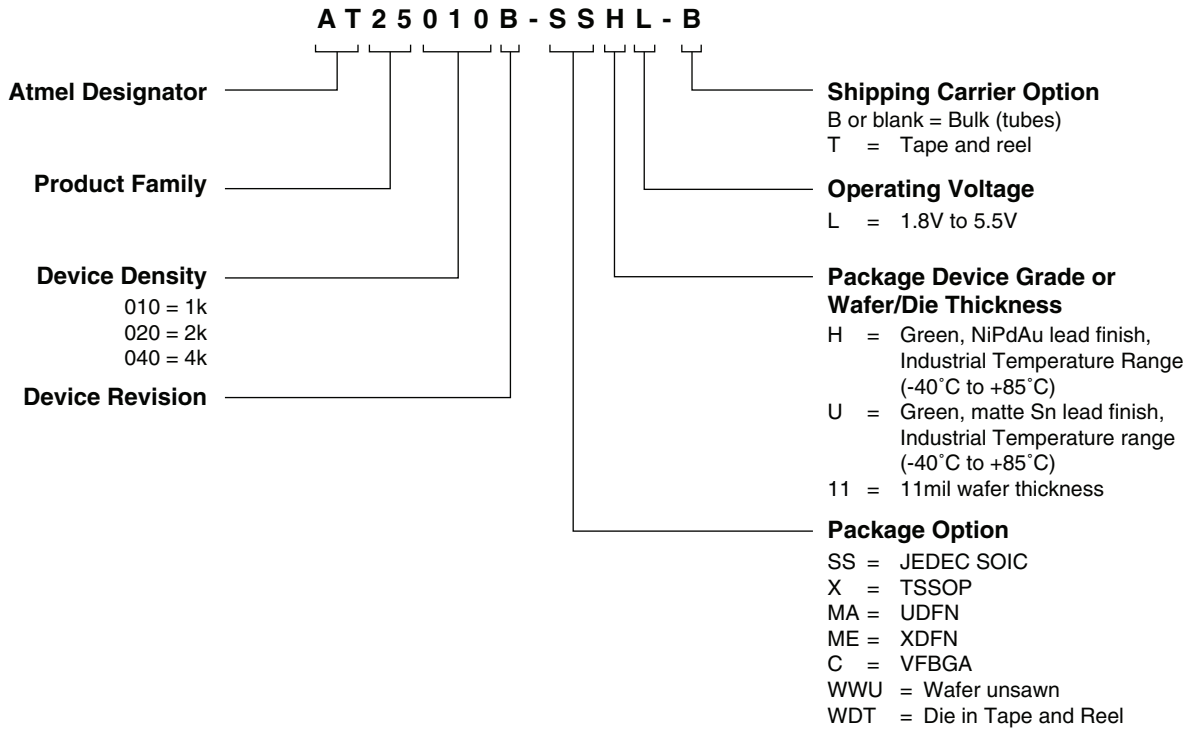


Figure 4-8.  $\overline{\text{HOLD}}$  Timing



## 5. Ordering Code Detail



6. Part Markings

**AT25010B-SSHL**

```

|---|---|---|---|---|---|---|---|
  A   T   M   L   H   Y   W   W
|---|---|---|---|---|---|---|---|
  5   1   B   L           @
|---|---|---|---|---|---|---|---|
                ATMEL LOT NUMBER
|---|---|---|---|---|---|---|---|
  |
  PIN 1 INDICATOR (DOT)
  
```

LINE 1: ATML=ATMEL H=MATERIAL SET/GRADE YWW=DATE CODE  
 LINE 2: 51B=AT25010B, L=1.8 to 5.5v, @=COUNTRY of ORIGIN  
 LINE 3: ATMEL LOT NUMBER

**AT25010B-XHL**

```

PIN 1 INDICATOR (DOT)
  | |---|---|---|---|---|---|
  * A   T   H   Y   W   W
  |---|---|---|---|---|---|
    5   1   B   L           @
|---|---|---|---|---|---|
                ATMEL LOT NUMBER
|---|---|---|---|---|---|
  
```

LINE 1: AT=ATMEL H=MATERIAL SET/GRADE YWW=DATE CODE  
 LINE 2: 51B=AT25010B, L=1.8 to 5.5v, @=COUNTRY of ORIGIN  
 LINE 3: ATMEL LOT NUMBER

**AT25010B-CUL**

```

|---|---|---|---|
  5   1   B   U
|---|---|---|---|
  Y   M   X   X
|---|---|---|---|
  |<-- PIN 1 THIS CORNER
  
```

LINE 1: 51B=AT25010B, U=MATERIAL SET/GRADE  
 LINE 2: YM=DATE CODE, XX=TRACE CODE



### AT25010B-MAHL

```
|---|---|---|
 5  1  B
|---|---|---|
 H  L  @
|---|---|---|
 Y  X  X
|---|---|---|
 *
```

|  
PIN 1 INDICATOR (DOT)

LINE 1: 51B=AT25010B  
LINE 2: H=MATERIAL SET/GRADE, L=1.8 to 5.5V, @=COUNTRY OF ORIGIN  
LINE 3: Y=DATE CODE, XX=TRACE CODE

### AT25010B-MEHL

```
|---|---|---|
 5  1  B
|---|---|---|
 Y  X  X
|---|---|---|
 *
```

|  
PIN 1 INDICATOR (DOT)

LINE 1: 51B=AT25010B  
LINE 2: Y=DATE CODE, XX=TRACE CODE

### AT25020B-SSHL

```
|---|---|---|---|---|---|---|---|
 A  T  M  L  H  Y  W  W
|---|---|---|---|---|---|---|---|
 5  2  B      L      @
|---|---|---|---|---|---|---|---|
      ATMEL LOT NUMBER
|---|---|---|---|---|---|---|---|
 |
```

PIN 1 INDICATOR (DOT)

LINE 1: ATML=ATMEL H=MATERIAL SET/GRADE YWW=DATE CODE  
LINE 2: 52B=AT25020B, L=1.8 to 5.5v, @=COUNTRY of ORIGIN  
LINE 3: ATMEL LOT NUMBER

**AT25020B-XHL**

```

PIN 1 INDICATOR (DOT)
| |---|---|---|---|---|---|
*  A  T  H  Y  W  W
|---|---|---|---|---|---|
  5  2  B  L      @
|---|---|---|---|---|---|
      ATMEL LOT NUMBER
|---|---|---|---|---|---|
    
```

LINE 1: AT=ATMEL H=MATERIAL SET/GRADE YWW=DATE CODE  
 LINE 2: 52B=AT25020B, L=1.8 to 5.5v, @=COUNTRY of ORIGIN  
 LINE 3: ATMEL LOT NUMBER

**AT25020B-CUL**

```

|---|---|---|---|
  5  2  B  U
|---|---|---|---|
  Y  M  X  X
|---|---|---|---|
|<-- PIN 1 THIS CORNER
    
```

LINE 1: 52B=AT25020B, U=MATERIAL SET/GRADE  
 LINE 2: YM=DATE CODE, XX=TRACE CODE

**AT25020B-MAHL**

```

|---|---|---|
  5  2  B
|---|---|---|
  H  L  @
|---|---|---|
  Y  X  X
|---|---|---|
*
|
PIN 1 INDICATOR (DOT)
    
```

LINE 1: 52B=AT25020B  
 LINE 2: H=MATERIAL SET/GRADE, L=1.8 to 5.5V, @=COUNTRY OF ORIGIN  
 LINE 3: Y=DATE CODE, XX=TRACE CODE



## AT25020B-MEHL

```

|---|---|---|
 5  2  B
|---|---|---|
 Y  X  X
|---|---|---|

```

```

*
|
PIN 1 INDICATOR (DOT)

```

```

LINE 1: 52B=AT25020B
LINE 2: Y=DATE CODE, XX=TRACE CODE

```

## AT25040B-SSHL

```

PIN 1 INDICATOR (DOT)
| |---|---|---|---|---|---|
*  A  T  H  Y  W  W
  |---|---|---|---|---|---|
    5  4  B  L      @
|---|---|---|---|---|---|
      ATMEL LOT NUMBER
|---|---|---|---|---|---|

```

```

LINE 1: AT=ATMEL H=MATERIAL SET/GRADE YWW=DATE CODE
LINE 2: 54B=AT25040B, L=1.8 to 5.5v, @=COUNTRY of ORIGIN
LINE 3: ATMEL LOT NUMBER

```

## AT25040B-XHL

```

PIN 1 INDICATOR (DOT)
| |---|---|---|---|---|---|
*  A  T  H  Y  W  W
  |---|---|---|---|---|---|
    5  4  B  L      @
|---|---|---|---|---|---|
      ATMEL LOT NUMBER
|---|---|---|---|---|---|

```

```

LINE 1: AT=ATMEL H=MATERIAL SET/GRADE YWW=DATE CODE
LINE 2: 54B=AT25040B, L=1.8 to 5.5v, @=COUNTRY of ORIGIN
LINE 3: ATMEL LOT NUMBER

```



**AT25040B-CUL**

```
|---|---|---|---|
 5  4  B  U
|---|---|---|---|
 Y  M  X  X
|---|---|---|---|
|<-- PIN 1 THIS CORNER
```

LINE 1: 54B=AT25040B, U=MATERIAL SET/GRADE  
 LINE 2: YM=DATE CODE, XX=TRACE CODE

**AT25040B-MAHL**

```
|---|---|---|
 5  4  B
|---|---|---|
 H  L  @
|---|---|---|
 Y  X  X
|---|---|---|
 *
 PIN 1 INDICATOR (DOT)
```

LINE 1: 54B=AT25040B  
 LINE 2: H=MATERIAL SET/GRADE, L=1.8 to 5.5V, @=COUNTRY OF ORIGIN  
 LINE 2: Y=DATE CODE, XX=TRACE CODE

**AT25040B-MEHL**

```
|---|---|---|
 5  4  B
|---|---|---|
 Y  X  X
|---|---|---|
 *
 |
 PIN 1 INDICATOR (DOT)
```

LINE 1: 54B=AT25040B  
 LINE 2: Y=DATE CODE, XX=TRACE CODE



## 7. Ordering Codes

### AT25010B Ordering Information<sup>(1)</sup>

Ordering Code	Voltage	Package	Operation Range
AT25010B-SSHL-B <sup>(1)</sup> (NiPdAu Lead Finish)	1.8V to 5.5V	8S1	Lead-free/Halogen-free/ Industrial Temperature (-40 to 85°C)
AT25010B-SSHL-T <sup>(2)</sup> (NiPdAu Lead Finish)	1.8V to 5.5V	8S1	
AT25010B-XHL-B <sup>(1)</sup> (NiPdAu Lead Finish)	1.8V to 5.5V	8A2	
AT25010B-XHL-T <sup>(2)</sup> (NiPdAu Lead Finish)	1.8V to 5.5V	8A2	
AT25010B-MAHL-T <sup>(2)</sup> (NiPdAu Lead Finish)	1.8V to 5.5V	8MA2	
AT25010B-MEHL-T <sup>(2)</sup> (NiPdAu Lead Finish)	1.8V to 5.5V	8ME1	
AT25010B-CUL-T <sup>(2)</sup> (SnAgCu Ball Finish)	1.8V to 5.5V	8U3-1	
AT25010B-WWU11L <sup>(3)</sup>	1.8V to 5.5V	Die Sale	Industrial Temperature (-40 to 85°C)

- Note:
1. Bulk delivery in tubes (SOIC and TSSOP 100/tube).
  2. Tape and reel delivery (SOIC 4k/reel. TSSOP, UDFN, XDFN and VFBGA 5k/reel).
  3. Contact Atmel Sales for Wafer sales.

Package Type	
<b>8S1</b>	8-lead, 0.150" Wide, Plastic Gull Wing Small Outline Package (JEDEC SOIC)
<b>8A2</b>	8-lead, 0.170" Wide, Thin Shrink Small Outline Package (TSSOP)
<b>8MA2</b>	8-lead, 2.00mm x 3.00mm Body, 0.50 mm Pitch, Dual No Lead Package (UDFN)
<b>8ME1</b>	8-lead (1.80x2.20mm body) Extra Thin DFN (XDFN)
<b>8U3-1</b>	8-ball die Ball Grid Array (VFBGA)

## AT25020B Ordering Information<sup>(1)</sup>

Ordering Code	Voltage	Package	Operation Range
AT25020B-SSHL-B <sup>(1)</sup> (NiPdAu Lead Finish)	1.8V to 5.5V	8S1	Lead-free/Halogen-free/ Industrial Temperature (-40 to 85°C)
AT25020B-SSHL-T <sup>(2)</sup> (NiPdAu Lead Finish)	1.8V to 5.5V	8S1	
AT25020B-XHL-B <sup>(1)</sup> (NiPdAu Lead Finish)	1.8V to 5.5V	8A2	
AT25020B-XHL-T <sup>(2)</sup> (NiPdAu Lead Finish)	1.8V to 5.5V	8A2	
AT25020B-MAHL-T <sup>(2)</sup> (NiPdAu Lead Finish)	1.8V to 5.5V	8MA2	
AT25020B-MEHL-T <sup>(2)</sup> (NiPdAu Lead Finish)	1.8V to 5.5V	8ME1	
AT25020B-CUL-T <sup>(2)</sup> (SnAgCu Ball Finish)	1.8V to 5.5V	8U3-1	
AT25020B-WWU11L <sup>(3)</sup>	1.8V to 5.5V	Die Sale	Industrial Temperature (-40 to 85°C)

- Note:
1. Bulk delivery in tubes (SOIC and TSSOP 100/tube).
  2. Tape and reel delivery (SOIC 4k/reel. TSSOP, UDFN, XDFN and VFBGA 5k/reel).
  3. Contact Atmel Sales for Wafer sales.

Package Type	
<b>8S1</b>	8-lead, 0.150" Wide, Plastic Gull Wing Small Outline Package (JEDEC SOIC)
<b>8A2</b>	8-lead, 0.170" Wide, Thin Shrink Small Outline Package (TSSOP)
<b>8MA2</b>	8-lead, 2.00mm x 3.00mm Body, 0.50 mm Pitch, Dual No Lead Package (UDFN)
<b>8ME1</b>	8-lead (1.80x2.20mm body) Extra Thin DFN (XDFN)
<b>8U3-1</b>	8-ball die Ball Grid Array (VFBGA)





## AT25040B Ordering Information

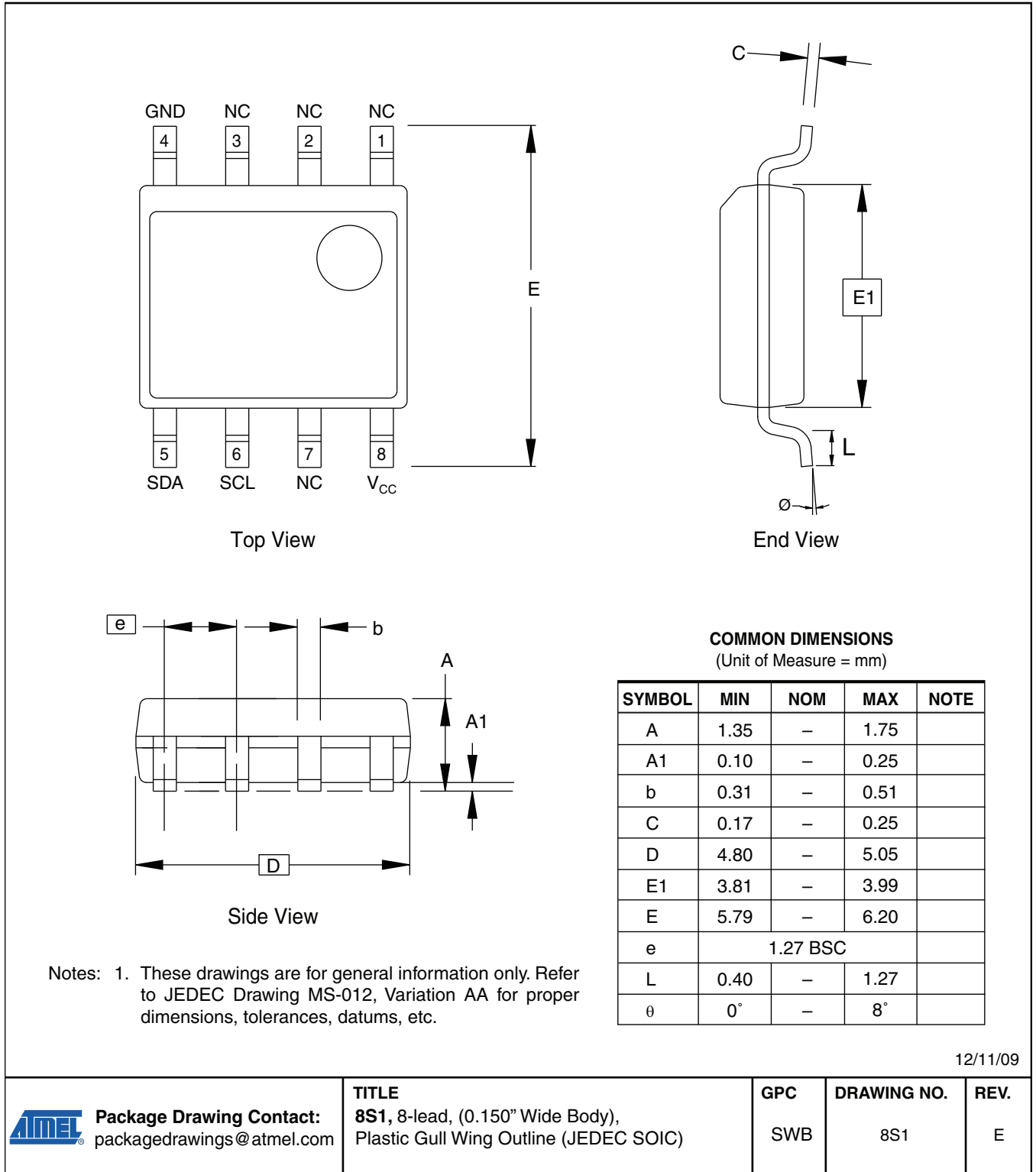
Ordering Code	Voltage	Package	Operation Range
AT25040B-SSHL-B <sup>(1)</sup> (NiPdAu Lead Finish)	1.8V to 5.5V	8S1	Lead-free/Halogen-free/ Industrial Temperature (-40 to 85°C)
AT25040B-SSHL-T <sup>(2)</sup> (NiPdAu Lead Finish)	1.8V to 5.5V	8S1	
AT25040B-XHL-B <sup>(1)</sup> (NiPdAu Lead Finish)	1.8V to 5.5V	8A2	
AT25040B-XHL-T <sup>(2)</sup> (NiPdAu Lead Finish)	1.8V to 5.5V	8A2	
AT25040B-MAHL-T <sup>(2)</sup> (NiPdAu Lead Finish)	1.8V to 5.5V	8MA2	
AT25040B-MEHL-T <sup>(2)</sup> (NiPdAu Lead Finish)	1.8V to 5.5V	8ME1	
AT25040B-CUL-T <sup>(2)</sup> (SnAgCu Ball Finish)	1.8V to 5.5V	8U3-1	
AT25040B-WWU11L <sup>(3)</sup>	1.8V to 5.5V	Die Sale	Industrial Temperature (-40 to 85°C)

- Note:
1. Bulk delivery in tubes (SOIC and TSSOP 100/tube).
  2. Tape and reel delivery (SOIC 4k/reel. TSSOP, UDFN, XDFN and VFBGA 5k/reel).
  3. Contact Atmel Sales for Wafer sales.

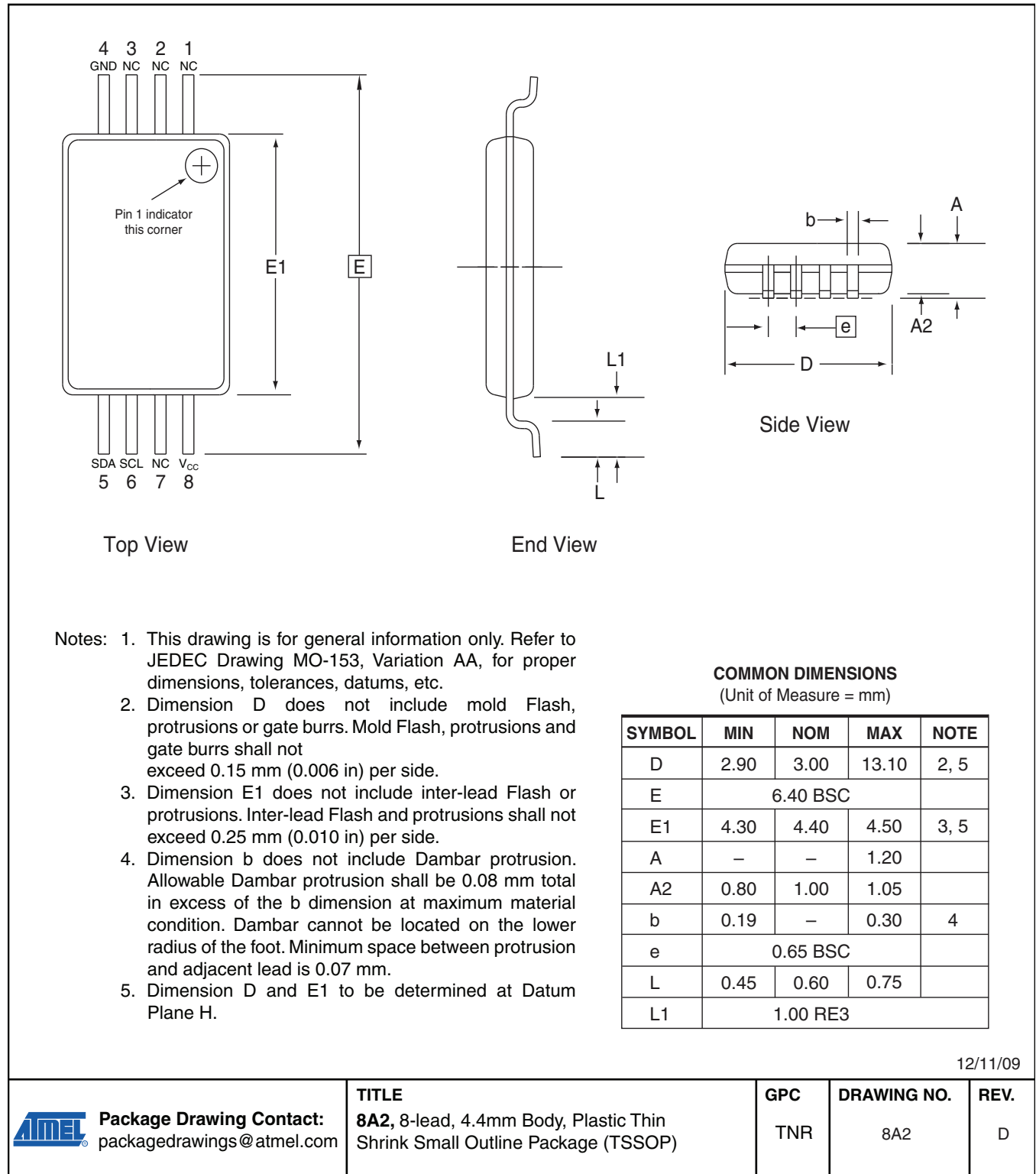
Package Type	
<b>8S1</b>	8-lead, 0.150" Wide, Plastic Gull Wing Small Outline Package (JEDEC SOIC)
<b>8A2</b>	8-lead, 0.170" Wide, Thin Shrink Small Outline Package (TSSOP)
<b>8MA2</b>	8-lead, 2.00mm x 3.00mm Body, 0.50 mm Pitch, Dual No Lead Package (UDFN)
<b>8ME1</b>	8-lead, 1.80mm x 2.20mm Body, Extra Thin DFN (XDFN)
<b>8U3-1</b>	8-ball die Ball Grid Array (VFBGA)

8. Packaging Information

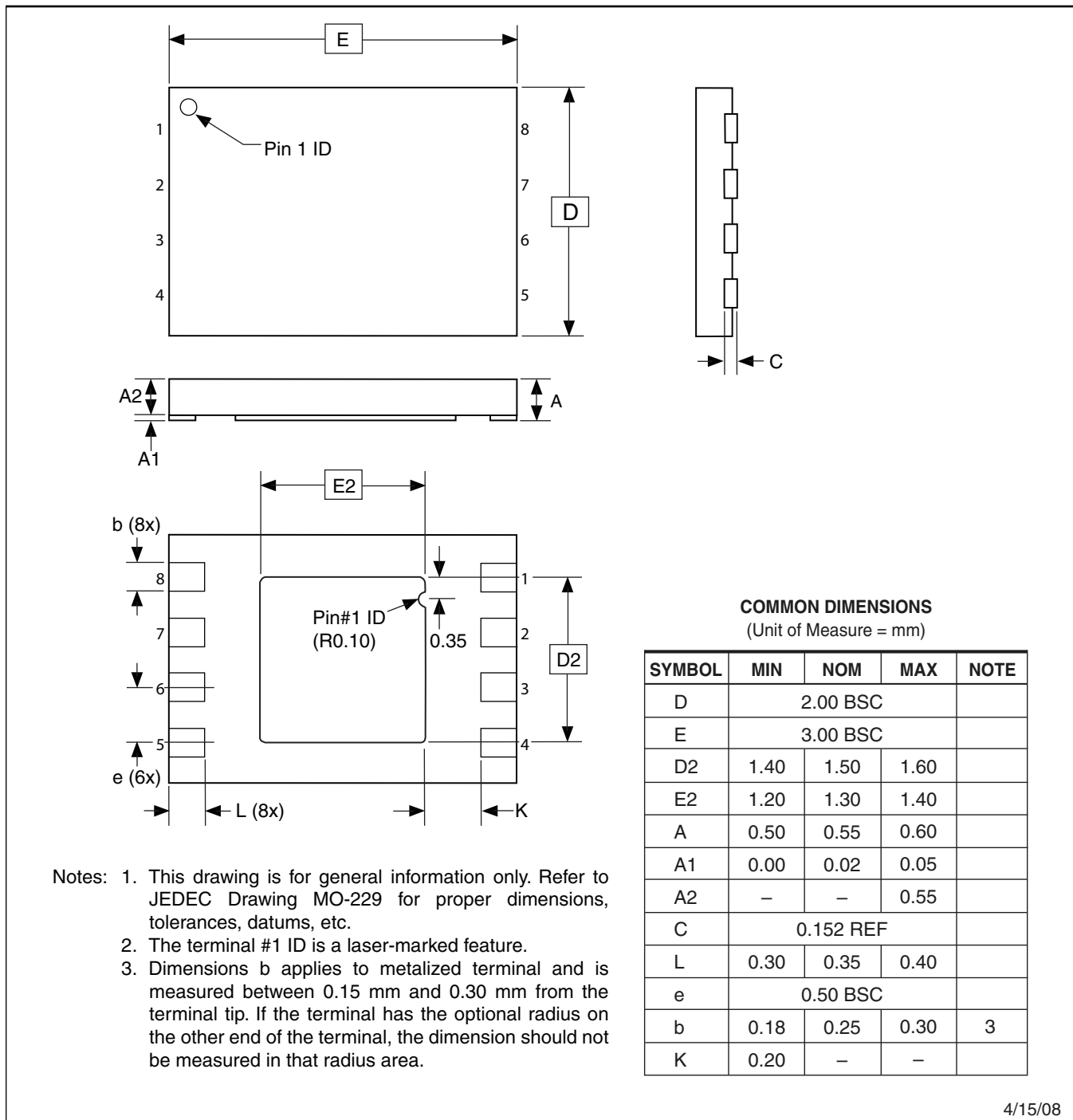
8S1 – JEDEC SOIC



## 8A2 – TSSOP




8MA2 – UDFN

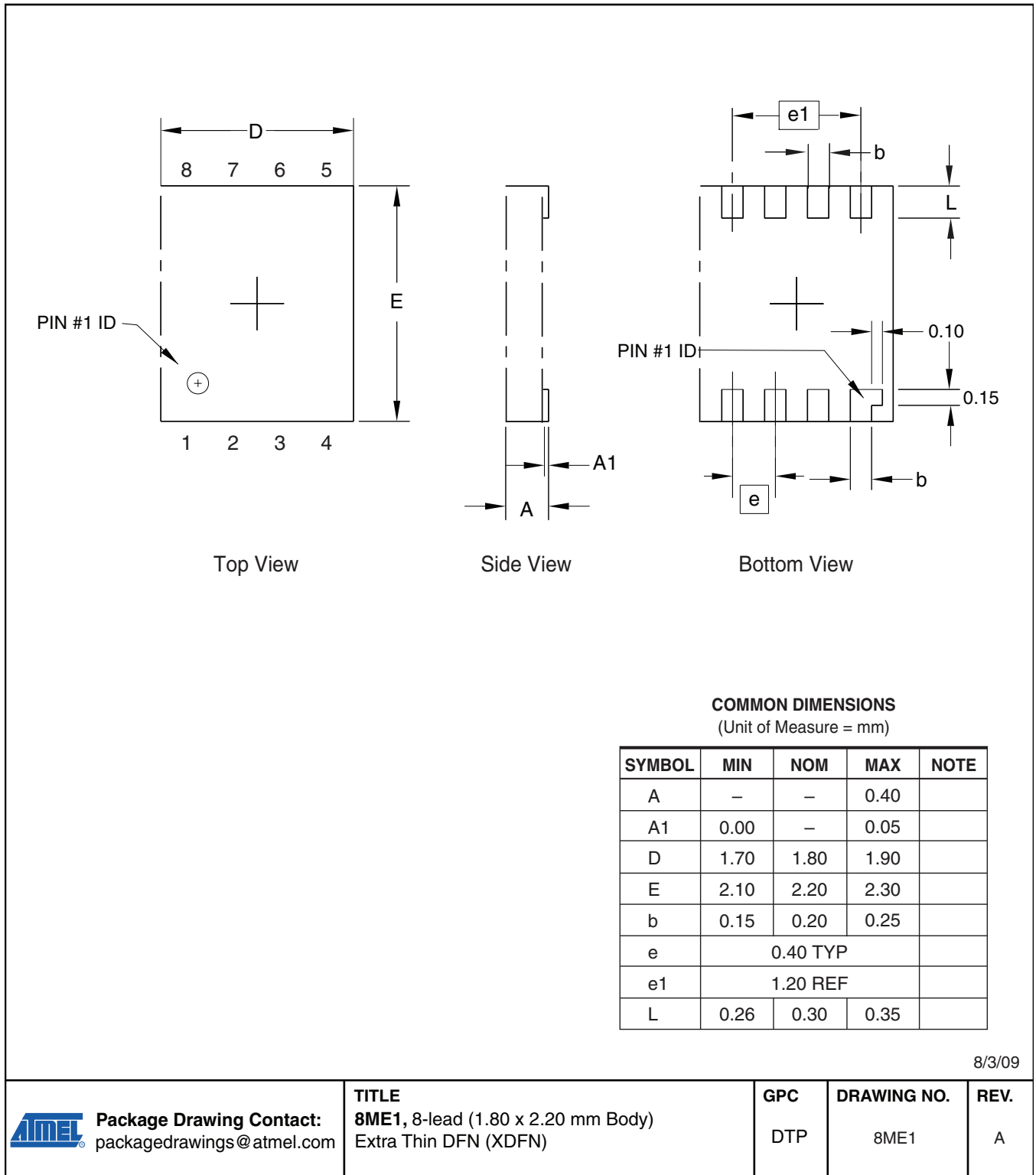


- Notes:
- 1. This drawing is for general information only. Refer to JEDEC Drawing MO-229 for proper dimensions, tolerances, datums, etc.
  - 2. The terminal #1 ID is a laser-marked feature.
  - 3. Dimensions b applies to metallized terminal and is measured between 0.15 mm and 0.30 mm from the terminal tip. If the terminal has the optional radius on the other end of the terminal, the dimension should not be measured in that radius area.

4/15/08

 <b>Package Drawing Contact:</b> packagedrawings@atmel.com	<b>TITLE</b> 8MA2, 8-pad, 2 x 3 x 0.6 mm Body, Thermally Enhanced Plastic Ultra Thin Dual Flat No Lead Package (UDFN)	<b>GPC</b> YNZ	<b>DRAWING NO.</b> 8MA2	<b>REV.</b> A
	This drawing is for general information only. Refer to JEDEC Drawing MO-229 for proper dimensions, tolerances, datums, etc.			

### 8ME1 – XDFN



8/3/09



**Package Drawing Contact:**  
packagedrawings@atmel.com

**TITLE**  
8ME1, 8-lead (1.80 x 2.20 mm Body)  
Extra Thin DFN (XDFN)

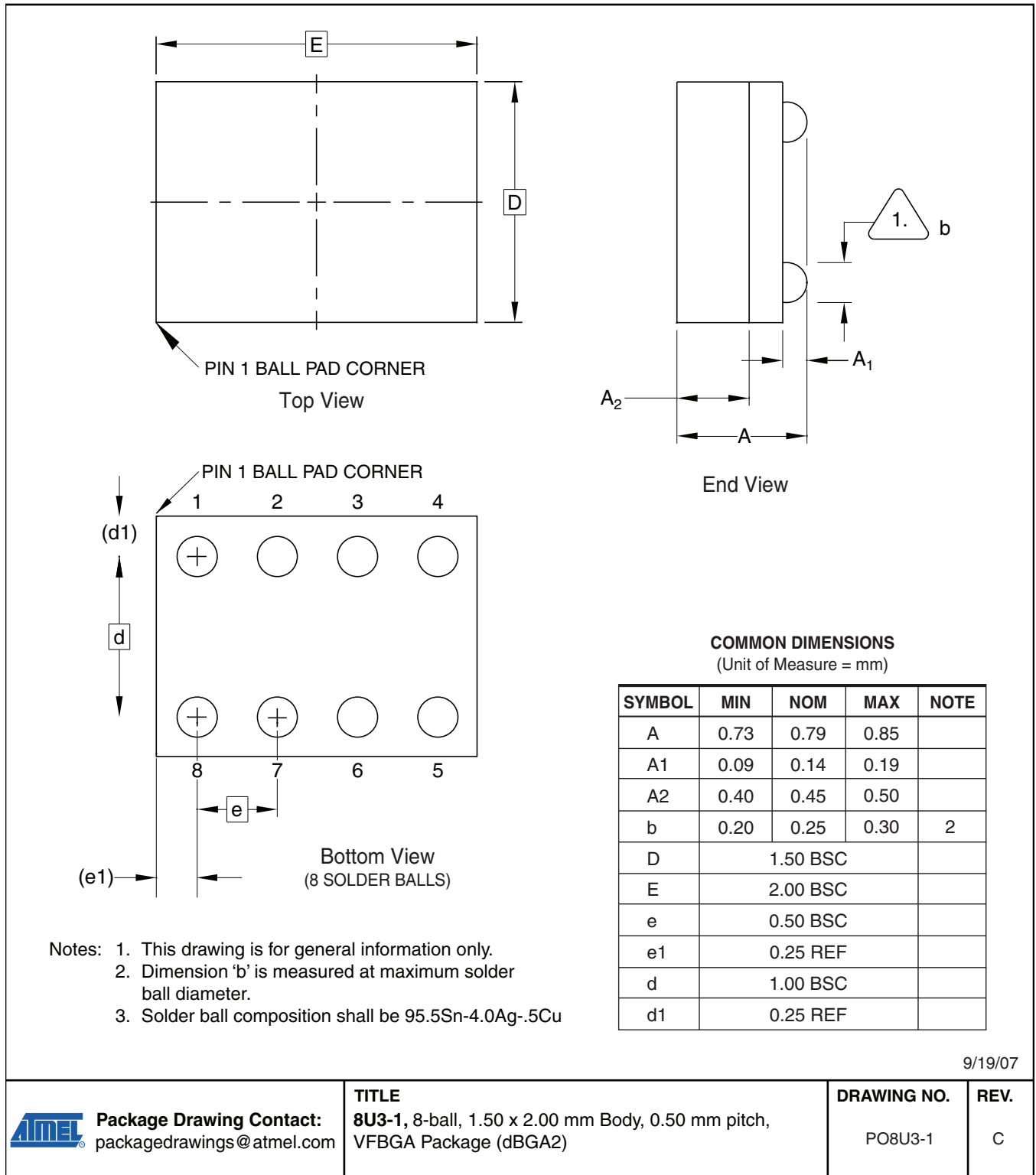
**GPC**  
DTP

**DRAWING NO.**  
8ME1

**REV.**  
A



8U3-1 – VFBGA





## 9. Revision History

Doc. Rev.	Date	Comments
8707B	10/2010	Remove Preliminary
8707B	3/2010	Replace 8Y6 with 8MA2
8707A	2/2010	Initial document release





## Headquarters

---

**Atmel Corporation**  
2325 Orchard Parkway  
San Jose, CA 95131  
USA  
Tel: 1(408) 441-0311  
Fax: 1(408) 487-2600

## International

---

**Atmel Asia**  
Unit 1-5 & 16, 19/F  
BEA Tower, Millennium City 5  
418 Kwun Tong Road  
Kwun Tong, Kowloon  
Hong Kong  
Tel: (852) 2245-6100  
Fax: (852) 2722-1369

**Atmel Europe**  
Le Krebs  
8, Rue Jean-Pierre Timbaud  
BP 309  
78054 Saint-Quentin-en-  
Yvelines Cedex  
France  
Tel: (33) 1-30-60-70-00  
Fax: (33) 1-30-60-71-11

**Atmel Japan**  
9F, Tonetsu Shinkawa Bldg.  
1-24-8 Shinkawa  
Chuo-ku, Tokyo 104-0033  
Japan  
Tel: (81) 3-3523-3551  
Fax: (81) 3-3523-7581

## Product Contact

---

**Web Site**  
[www.atmel.com](http://www.atmel.com)

**Technical Support**  
[s\\_eeprom@atmel.com](mailto:s_eeprom@atmel.com)

**Sales Contact**  
[www.atmel.com/contacts](http://www.atmel.com/contacts)

**Literature Requests**  
[www.atmel.com/literature](http://www.atmel.com/literature)

---

**Disclaimer:** The information in this document is provided in connection with Atmel products. No license, express or implied, by estoppel or otherwise, to any intellectual property right is granted by this document or in connection with the sale of Atmel products. **EXCEPT AS SET FORTH IN ATMEL'S TERMS AND CONDITIONS OF SALE LOCATED ON ATMEL'S WEB SITE, ATMEL ASSUMES NO LIABILITY WHATSOEVER AND DISCLAIMS ANY EXPRESS, IMPLIED OR STATUTORY WARRANTY RELATING TO ITS PRODUCTS INCLUDING, BUT NOT LIMITED TO, THE IMPLIED WARRANTY OF MERCHANTABILITY, FITNESS FOR A PARTICULAR PURPOSE, OR NON-INFRINGEMENT. IN NO EVENT SHALL ATMEL BE LIABLE FOR ANY DIRECT, INDIRECT, CONSEQUENTIAL, PUNITIVE, SPECIAL OR INCIDENTAL DAMAGES (INCLUDING, WITHOUT LIMITATION, DAMAGES FOR LOSS OF PROFITS, BUSINESS INTERRUPTION, OR LOSS OF INFORMATION) ARISING OUT OF THE USE OR INABILITY TO USE THIS DOCUMENT, EVEN IF ATMEL HAS BEEN ADVISED OF THE POSSIBILITY OF SUCH DAMAGES.** Atmel makes no representations or warranties with respect to the accuracy or completeness of the contents of this document and reserves the right to make changes to specifications and product descriptions at any time without notice. Atmel does not make any commitment to update the information contained herein. Unless specifically provided otherwise, Atmel products are not suitable for, and shall not be used in, automotive applications. Atmel's products are not intended, authorized, or warranted for use as components in applications intended to support or sustain life.

© 2010 Atmel Corporation. All rights reserved. Atmel®, logo and combinations thereof, Everywhere You Are® and others, are registered trademarks or trademarks of Atmel Corporation or its subsidiaries. Other terms and product names may be trademarks of others.