

### FEATURES

- Initial accuracy:  $\pm 5$  mV/ $\pm 6$  mV maximum**
- Initial accuracy error:  $\pm 0.24\%$ / $\pm 0.24\%$**
- Low TC<sub>V<sub>OUT</sub></sub>: 25 ppm/ $^{\circ}$ C maximum**
- Load regulation: 70 ppm/mA**
- Line regulation: 25 ppm/V**
- Wide operating ranges**
  - 2.4 V to 18 V for ADR380**
  - 2.8 V to 18 V for ADR381**
- Low power: 120  $\mu$ A maximum**
- High output current: 5 mA**
- Wide temperature range:  $-40^{\circ}$ C to  $+85^{\circ}$ C**
- Tiny 3-lead SOT-23 package with standard pinout**

### APPLICATIONS

- Battery-powered instrumentation**
- Portable medical instruments**
- Data acquisition systems**
- Industrial process control systems**
- Hard disk drives**
- Automotive**

### GENERAL DESCRIPTION

The ADR380 and ADR381 are precision 2.048 V and 2.500 V band gap voltage references featuring high accuracy, high stability, and low power consumption in a tiny footprint. Patented temperature drift curvature correction techniques minimize nonlinearity of the voltage change with temperature. The wide operating range and low power consumption make them ideal for 3 V to 5 V battery-powered applications.

The ADR380 and ADR381 are micropower, low dropout voltage (LDV) devices that provide a stable output voltage from supplies as low as 300 mV above the output voltage. They are specified over the industrial ( $-40^{\circ}$ C to  $+85^{\circ}$ C) temperature range. The ADR380/ADR381 are available in the tiny 3-lead SOT-23 package.

### PIN CONFIGURATION

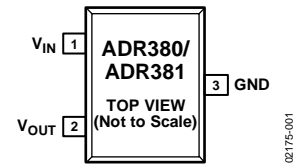


Figure 1. 3-Lead SOT-23  
(RT Suffix)

Table 1. ADR38x Products

Part Number	Nominal Output Voltage (V)
ADR380	2.048
ADR381	2.500

#### Rev. C

Information furnished by Analog Devices is believed to be accurate and reliable. However, no responsibility is assumed by Analog Devices for its use, nor for any infringements of patents or other rights of third parties that may result from its use. Specifications subject to change without notice. No license is granted by implication or otherwise under any patent or patent rights of Analog Devices. Trademarks and registered trademarks are the property of their respective owners.

## TABLE OF CONTENTS

Features .....	1	Theory of Operation .....	11
Applications.....	1	Device Power Dissipation Considerations.....	11
Pin Configuration.....	1	Input Capacitor.....	11
General Description.....	1	Output Capacitor.....	11
Revision History .....	2	Applications Information .....	12
Specifications.....	3	Stacking Reference ICs for Arbitrary Outputs .....	12
ADR380 Electrical Characteristics.....	3	A Negative Precision Reference Without Precision Resistors .....	12
ADR381 Electrical Characteristics.....	4	Precision Current Source .....	12
Absolute Maximum Ratings.....	5	Precision High Current Voltage Source .....	13
Thermal Resistance .....	5	Outline Dimensions.....	14
ESD Caution.....	5	Ordering Guide .....	14
Typical Performance Characteristics .....	6		
Terminology .....	10		

## REVISION HISTORY

### 10/10—Rev. B to Rev. C

Deleted Figure 32.....	14
Changes to Ordering Guide .....	14

### 1/09—Rev. A to Rev. B

Updated Format.....	Universal
Changes to Table 7.....	5
Changes to Stacking Reference ICs for Arbitrary Outputs Section, Figure 28, and Figure 29 .....	12
Updated Outline Dimensions .....	14
Changes to Ordering Guide .....	14

### 7/04—Rev. 0 to Rev. A

Updated Format.....	Universal
Changes to Ordering Guide .....	16
Updated Outline Dimensions.....	16

## SPECIFICATIONS

### ADR380 ELECTRICAL CHARACTERISTICS

$V_{IN} = 5.0\text{ V}$ ,  $T_A = 25^\circ\text{C}$ , unless otherwise noted.

Table 2.

Parameter	Symbol	Conditions	Min	Typ	Max	Unit
Output Voltage	$V_{OUT}$		2.043	2.048	2.053	V
Initial Accuracy Error	$V_{OERR}$		-5		+5	mV
			-0.24		+0.24	%
Temperature Coefficient	$TCV_{OUT}$	$-40^\circ\text{C} < T_A < +85^\circ\text{C}$ $0^\circ\text{C} < T_A < 70^\circ\text{C}$		5	25	ppm/ $^\circ\text{C}$
				3	21	ppm/ $^\circ\text{C}$
Minimum Supply Voltage Headroom	$V_{IN} - V_{OUT}$	$I_{LOAD} \leq 3\text{ mA}$		300		mV
Line Regulation	$\Delta V_{OUT}/DV_{IN}$	$V_{IN} = 2.5\text{ V to }15\text{ V}$ , $-40^\circ\text{C} < T_A < +85^\circ\text{C}$		10	25	ppm/V
Load Regulation	$\Delta V_{OUT}/DI_{LOAD}$	$V_{IN} = 3\text{ V}$ , $I_{LOAD} = 0\text{ mA to }5\text{ mA}$ , $-40^\circ\text{C} < T_A < +85^\circ\text{C}$			70	ppm/mA
Quiescent Current	$I_{IN}$	No load $-40^\circ\text{C} < T_A < +85^\circ\text{C}$		100	120	$\mu\text{A}$
					140	$\mu\text{A}$
Voltage Noise	$e_N$	0.1 Hz to 10 Hz		5		$\mu\text{V p-p}$
Turn-On Settling Time	$t_R$			20		$\mu\text{s}$
Long-Term Stability	$\Delta V_{OUT}$	1000 Hrs		50		ppm
Output Voltage Hysteresis	$V_{OUT\_HYS}$			40		ppm
Ripple Rejection Ratio	RRR	$f_{IN} = 60\text{ Hz}$		85		dB
Short Circuit to GND	$I_{SC}$			25		mA

$V_{IN} = 15.0\text{ V}$ ,  $T_A = 25^\circ\text{C}$ , unless otherwise noted.

Table 3.

Parameter	Symbol	Conditions	Min	Typ	Max	Unit
Output Voltage	$V_{OUT}$		2.043	2.048	2.053	V
Initial Accuracy Error	$V_{OERR}$		-5		+5	mV
			-0.24		+0.24	%
Temperature Coefficient	$TCV_{OUT}$	$-40^\circ\text{C} < T_A < +85^\circ\text{C}$ $0^\circ\text{C} < T_A < 70^\circ\text{C}$		5	25	ppm/ $^\circ\text{C}$
				3	21	ppm/ $^\circ\text{C}$
Minimum Supply Voltage Headroom	$V_{IN} - V_{OUT}$	$I_{LOAD} \leq 3\text{ mA}$		300		mV
Line Regulation	$\Delta V_{OUT}/DV_{IN}$	$V_{IN} = 2.5\text{ V to }15\text{ V}$ , $-40^\circ\text{C} < T_A < +85^\circ\text{C}$		10	25	ppm/V
Load Regulation	$\Delta V_{OUT}/DI_{LOAD}$	$V_{IN} = 3\text{ V}$ , $I_{LOAD} = 0\text{ mA to }5\text{ mA}$ , $-40^\circ\text{C} < T_A < +85^\circ\text{C}$			70	ppm/mA
Quiescent Current	$I_{IN}$	No load $-40^\circ\text{C} < T_A < +85^\circ\text{C}$		100	120	$\mu\text{A}$
					140	$\mu\text{A}$
Voltage Noise	$e_N$	0.1 Hz to 10 Hz		5		$\mu\text{V p-p}$
Turn-On Settling Time	$t_R$			20		$\mu\text{s}$
Long-Term Stability	$\Delta V_{OUT}$	1000 Hrs		50		ppm
Output Voltage Hysteresis	$V_{OUT\_HYS}$			40		ppm
Ripple Rejection Ratio	RRR	$f_{IN} = 60\text{ Hz}$		85		dB
Short Circuit to GND	$I_{SC}$			25		mA

# ADR380/ADR381

## ADR381 ELECTRICAL CHARACTERISTICS

$V_{IN} = 5.0\text{ V}$ ,  $T_A = 25^\circ\text{C}$ , unless otherwise noted.

Table 4.

Parameter	Symbol	Conditions	Min	Typ	Max	Unit
Output Voltage	$V_{OUT}$		2.494	2.500	2.506	V
Initial Accuracy Error	$V_{OERR}$		-6		+6	mV
			-0.24		+0.24	%
Temperature Coefficient	$TCV_{OUT}$	$-40^\circ\text{C} < T_A < +85^\circ\text{C}$		5	25	ppm/ $^\circ\text{C}$
		$0^\circ\text{C} < T_A < 70^\circ\text{C}$		3	21	ppm/ $^\circ\text{C}$
Minimum Supply Voltage Headroom	$V_{IN} - V_{OUT}$	$I_{LOAD} \leq 2\text{ mA}$		300		mV
Line Regulation	$\Delta V_{OUT}/DV_{IN}$	$V_{IN} = 2.8\text{ V to } 15\text{ V}$ , $-40^\circ\text{C} < T_A < +85^\circ\text{C}$		10	25	ppm/V
Load Regulation	$\Delta V_{OUT}/DI_{LOAD}$	$V_{IN} = 3.5\text{ V}$ , $I_{LOAD} = 0\text{ mA to } 5\text{ mA}$ , $-40^\circ\text{C} < T_A < +85^\circ\text{C}$			70	ppm/mA
Quiescent Current	$I_{IN}$	No load		100	120	$\mu\text{A}$
		$-40^\circ\text{C} < T_A < +85^\circ\text{C}$			140	$\mu\text{A}$
Voltage Noise	$e_N$	0.1 Hz to 10 Hz		5		$\mu\text{V p-p}$
Turn-On Settling Time	$t_R$			20		$\mu\text{s}$
Long-Term Stability	$\Delta V_{OUT}$	1000 Hrs		50		ppm
Output Voltage Hysteresis	$V_{OUT\_HYS}$			75		ppm
Ripple Rejection Ratio	RRR	$f_{IN} = 60\text{ Hz}$		85		dB
Short Circuit to GND	$I_{SC}$			25		mA

$V_{IN} = 5.0\text{ V}$ ,  $T_A = 25^\circ\text{C}$ , unless otherwise noted.

Table 5.

Parameter	Symbol	Conditions	Min	Typ	Max	Unit
Output Voltage	$V_{OUT}$		2.494	2.500	2.506	V
Initial Accuracy Error	$V_{OERR}$		-6		+6	mV
			-0.24		+0.24	%
Temperature Coefficient	$TCV_{OUT}$	$-40^\circ\text{C} < T_A < +85^\circ\text{C}$		5	25	ppm/ $^\circ\text{C}$
		$0^\circ\text{C} < T_A < 70^\circ\text{C}$		3	21	ppm/ $^\circ\text{C}$
Minimum Supply Voltage Headroom	$V_{IN} - V_{OUT}$	$I_{LOAD} \leq 2\text{ mA}$		300		mV
Line Regulation	$\Delta V_{OUT}/DV_{IN}$	$V_{IN} = 2.8\text{ V to } 15\text{ V}$ , $-40^\circ\text{C} < T_A < +85^\circ\text{C}$		10	25	ppm/V
Load Regulation	$\Delta V_{OUT}/DI_{LOAD}$	$V_{IN} = 3.5\text{ V}$ , $I_{LOAD} = 0\text{ mA to } 5\text{ mA}$ , $-40^\circ\text{C} < T_A < +85^\circ\text{C}$			70	ppm/mA
Quiescent Current	$I_{IN}$	No load		100	120	$\mu\text{A}$
		$-40^\circ\text{C} < T_A < +85^\circ\text{C}$			140	$\mu\text{A}$
Voltage Noise	$e_N$	0.1 Hz to 10 Hz		5		$\mu\text{V p-p}$
Turn-On Settling Time	$t_R$			20		$\mu\text{s}$
Long-Term Stability	$\Delta V_{OUT}$	1000 Hrs		50		ppm
Output Voltage Hysteresis	$V_{OUT\_HYS}$			75		ppm
Ripple Rejection Ratio	RRR	$f_{IN} = 60\text{ Hz}$		85		dB
Short Circuit to GND	$I_{SC}$			25		mA

## ABSOLUTE MAXIMUM RATINGS

Table 6.

Parameter <sup>1</sup>	Rating
Supply Voltage	18 V
Output Short-Circuit Duration to GND	
$V_{IN} > 15\text{ V}$	10 sec
$V_{IN} \leq 15\text{ V}$	Indefinite
Storage Temperature Range	-65°C to +150°C
Operating Temperature Range	-40°C to +85°C
Junction Temperature Range	-65°C to +150°C
Lead Temperature (Soldering, 60 Sec)	300°C

<sup>1</sup> Absolute maximum ratings apply at 25°C, unless otherwise noted.

Stresses above those listed under Absolute Maximum Ratings may cause permanent damage to the device. This is a stress rating only; functional operation of the device at these or any other conditions above those indicated in the operational section of this specification is not implied. Exposure to absolute maximum rating conditions for extended periods may affect device reliability.

## THERMAL RESISTANCE

$\theta_{JA}$  is specified for the worst-case conditions, that is, a device soldered in a circuit board for surface-mount packages.

Table 7.

Package Type	$\theta_{JA}$	Unit
3-Lead SOT-23 (RT)	333	°C/W

## ESD CAUTION



**ESD (electrostatic discharge) sensitive device.** Charged devices and circuit boards can discharge without detection. Although this product features patented or proprietary protection circuitry, damage may occur on devices subjected to high energy ESD. Therefore, proper ESD precautions should be taken to avoid performance degradation or loss of functionality.

## TYPICAL PERFORMANCE CHARACTERISTICS

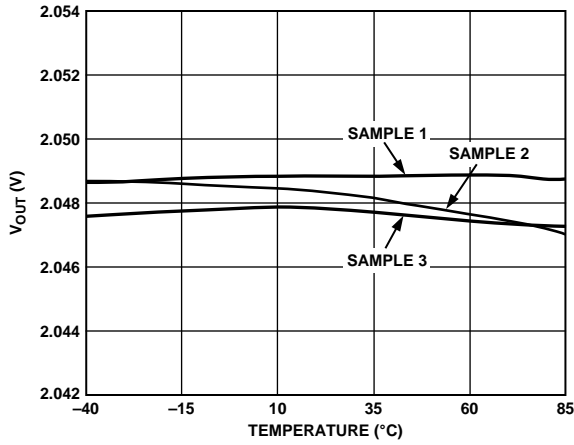


Figure 2. ADR380 Output Voltage vs. Temperature

02175-002

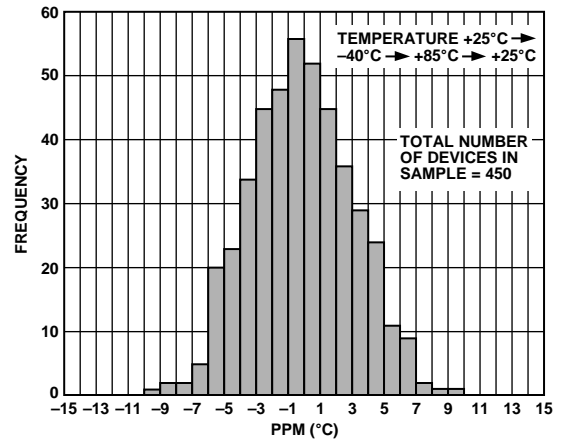


Figure 5. ADR381 Output Voltage Temperature Coefficient

02175-005

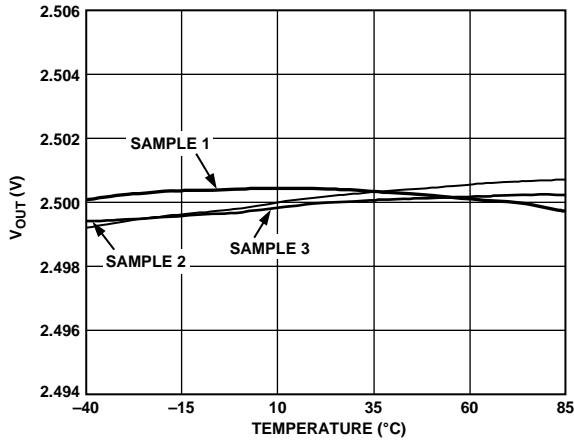


Figure 3. ADR381 Output Voltage vs. Temperature

02175-003

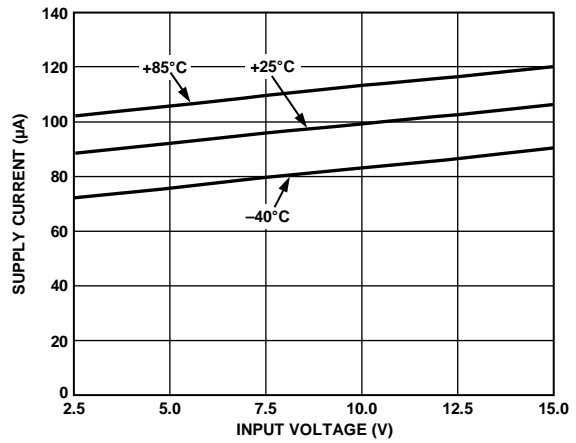


Figure 6. ADR380 Supply Current vs. Input Voltage

02175-006

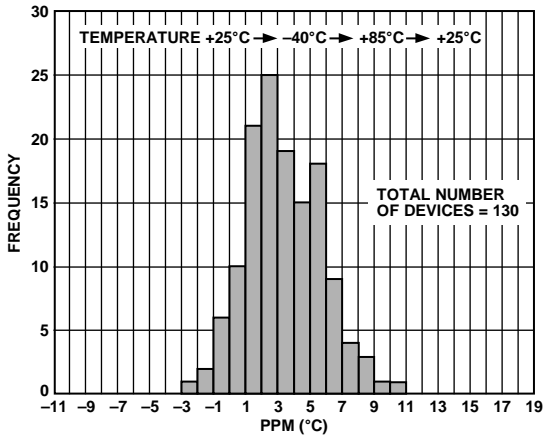


Figure 4. ADR380 Output Voltage Temperature Coefficient

02175-004

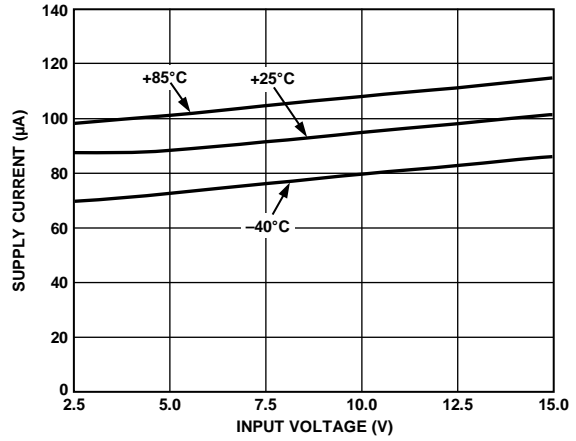


Figure 7. ADR381 Supply Current vs. Input Voltage

02175-007

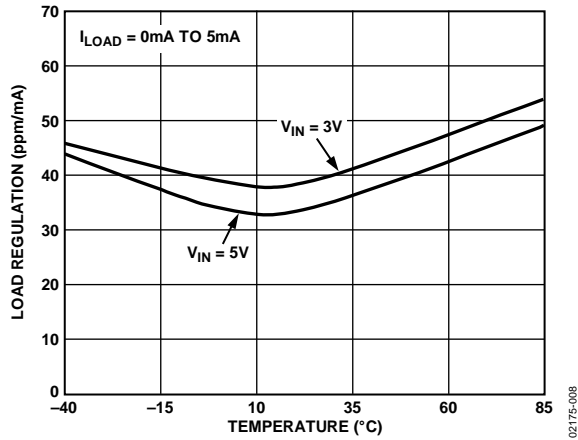


Figure 8. ADR380 Load Regulation vs. Temperature

02175-008

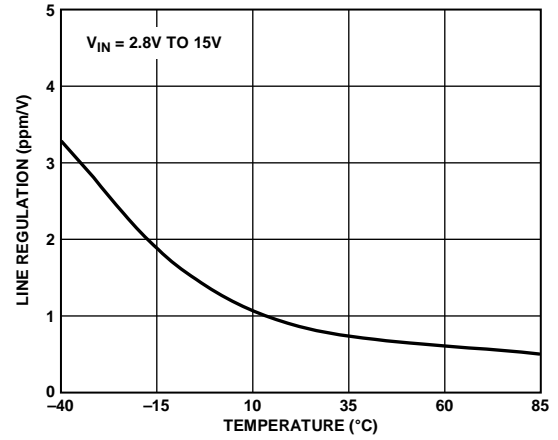


Figure 11. ADR381 Line Regulation vs. Temperature

02175-011

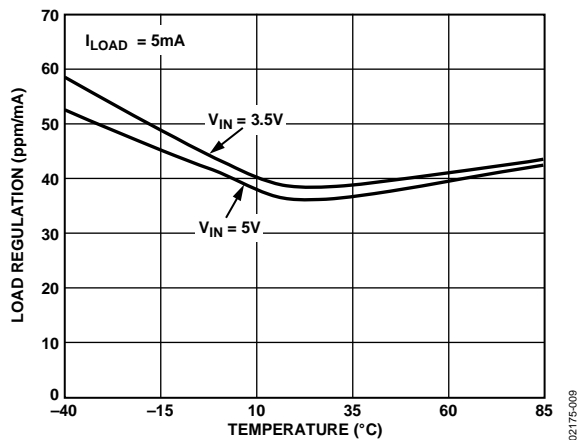


Figure 9. ADR381 Load Regulation vs. Temperature

02175-009

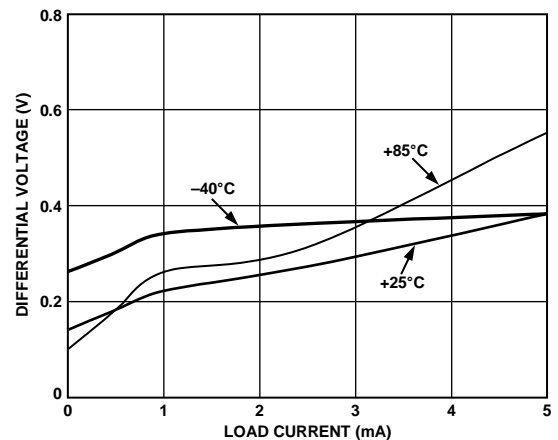


Figure 12. ADR380 Minimum Input/Output Differential Voltage vs. Load Current

02175-012

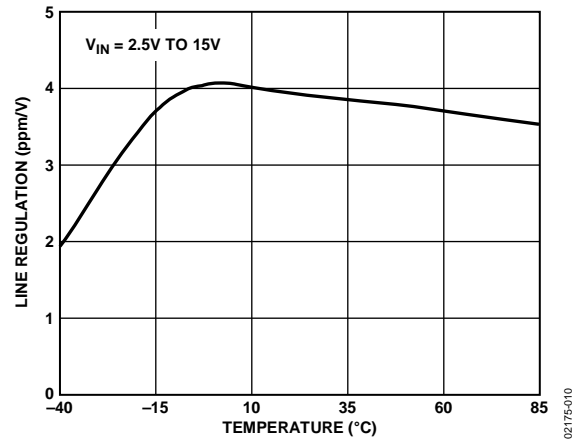


Figure 10. ADR380 Line Regulation vs. Temperature

02175-010

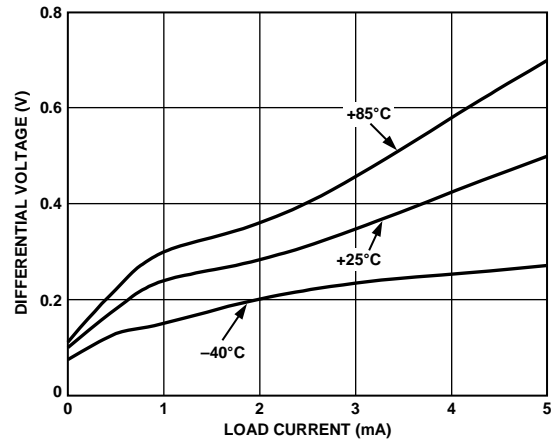


Figure 13. ADR381 Minimum Input/Output Differential Voltage vs. Load Current

02175-013

# ADR380/ADR381

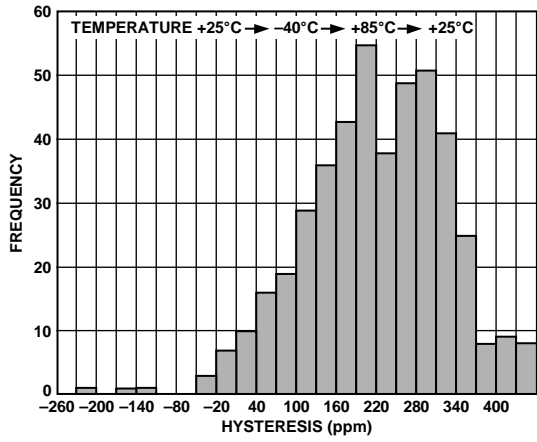


Figure 14. ADR381  $V_{OUT}$  Hysteresis

02175-014

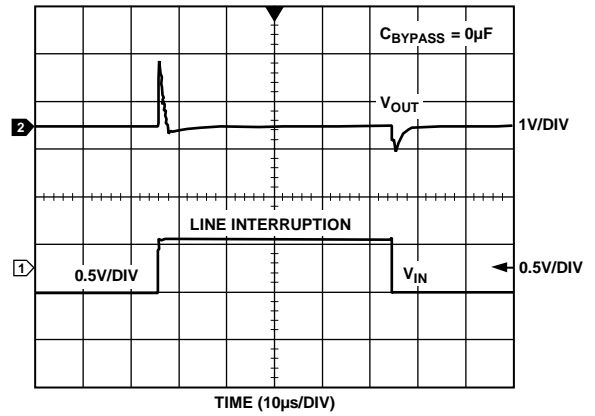


Figure 17. ADR381 Line Transient Response

02175-017

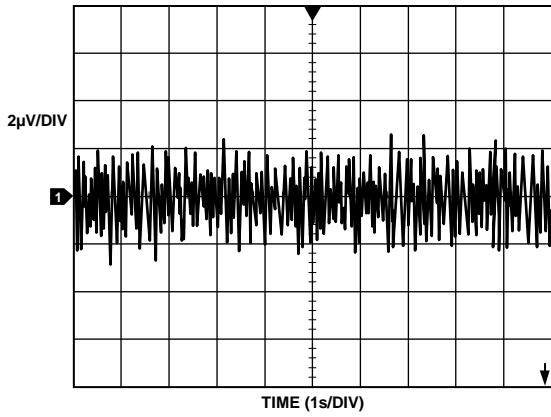


Figure 15. ADR381 Typical Noise Voltage, 0.1 Hz to 10 Hz

02175-015

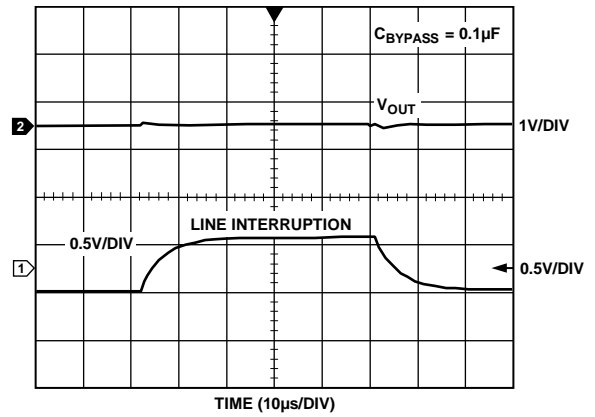


Figure 18. ADR381 Line Transient Response

02175-018

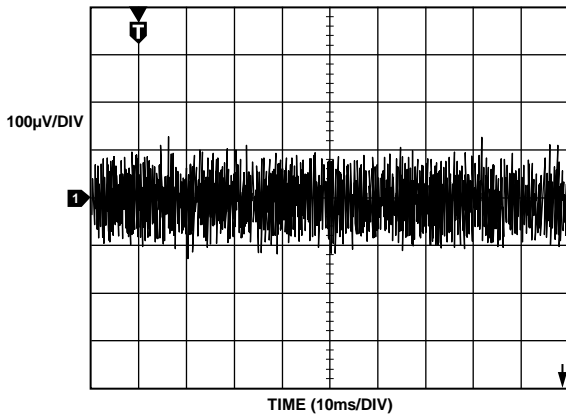


Figure 16. ADR381 Typical Noise Voltage, 10 Hz to 10 kHz

02175-016

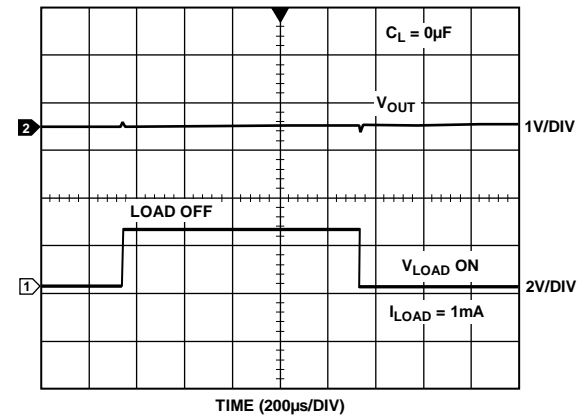


Figure 19. ADR381 Load Transient Response with  $C_L = 0 \mu F$

02175-019



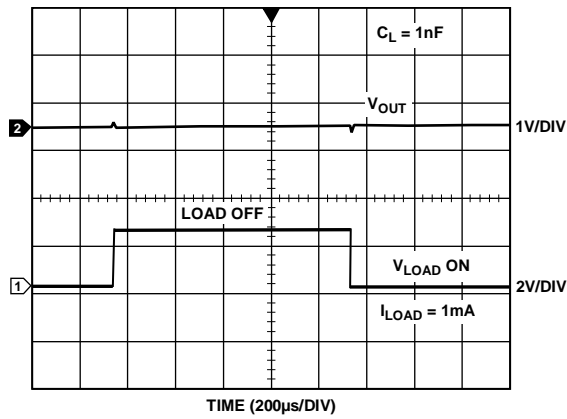


Figure 20. ADR381 Load Transient Response with  $C_L = 1\text{ nF}$

02175-020

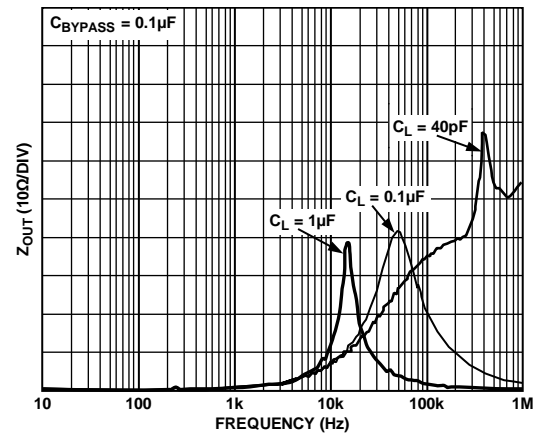


Figure 23. ADR381 Output Impedance vs. Frequency

02175-023

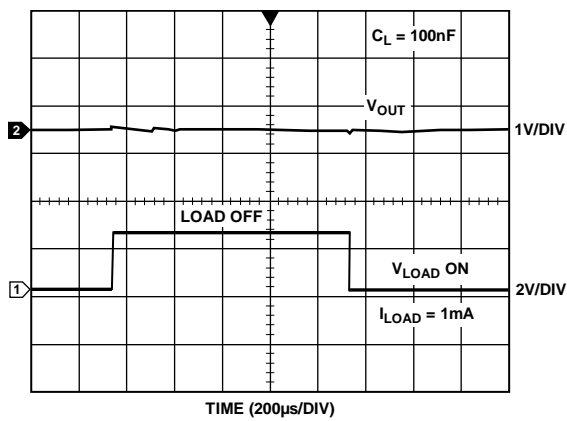


Figure 21. ADR381 Load Transient Response with  $C_L = 100\text{ nF}$

02175-021

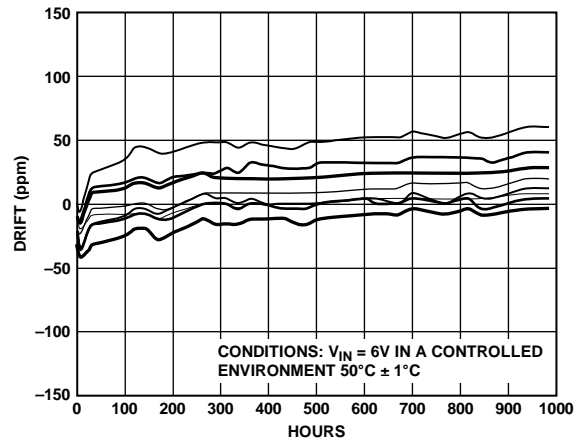


Figure 24. ADR380 Long-Term Drift

02175-024

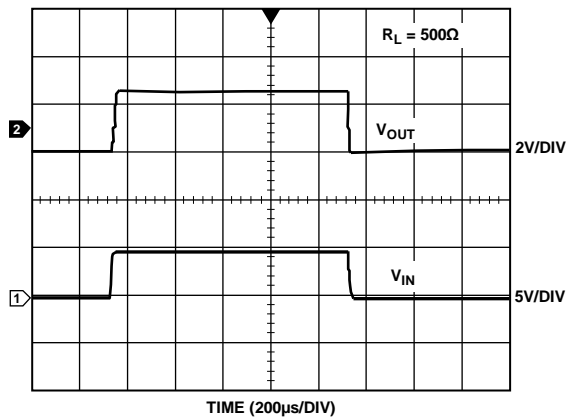


Figure 22. ADR381 Turn-On/Turn-Off Response at 5 V

02175-022

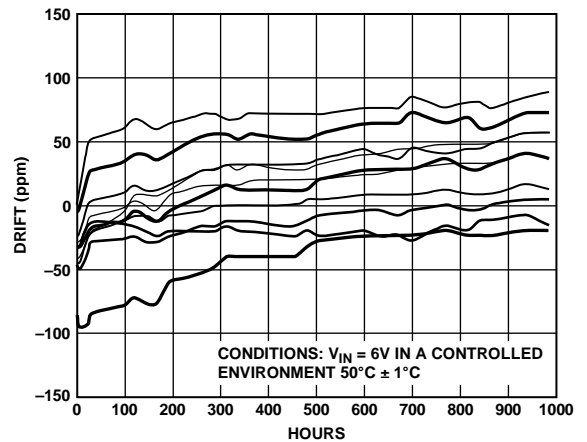


Figure 25. ADR381 Long-Term Drift

02175-025

## TERMINOLOGY

### Temperature Coefficient

The change of output voltage over the operating temperature change and normalized by the output voltage at 25°C, expressed in ppm/°C. The equation follows:

$$TCV_{OUT}[\text{ppm}/^{\circ}\text{C}] = \frac{V_{OUT}(T_2) - V_{OUT}(T_1)}{V_{OUT}(25^{\circ}\text{C}) \times (T_2 - T_1)} \times 10^6$$

where:

$V_{OUT}(25^{\circ}\text{C}) = V_{OUT}$  at 25°C.

$V_{OUT}(T_1) = V_{OUT}$  at Temperature 1.

$V_{OUT}(T_2) = V_{OUT}$  at Temperature 2.

### Line Regulation

The change in output voltage due to a specified change in input voltage. It includes the effects of self-heating. Line regulation is expressed in either percent per volt, parts-per-million per volt, or microvolts per volt change in input voltage.

### Load Regulation

The change in output voltage due to a specified change in load current. It includes the effects of self-heating. Load regulation is expressed in either microvolts per milliamper, parts-per-million per milliamper, or ohms of dc output resistance.

### Long-Term Stability

A typical shift in output voltage over 1000 hours at a controlled temperature. Figure 24 and Figure 25 show a sample of parts measured at different intervals in a controlled environment of 50°C for 1000 hours.

$$\Delta V_{OUT} = V_{OUT}(t_0) - V_{OUT}(t_1)$$

$$\Delta V_{OUT}[\text{ppm}] = \frac{V_{OUT}(t_0) - V_{OUT}(t_1)}{V_{OUT}(t_0)} \times 10^6$$

where:

$V_{OUT}(t_0) = V_{OUT}$  at Time 0.

$V_{OUT}(t_1) = V_{OUT}$  after 1000 hours of operation at a controlled temperature.

Note that 50°C was chosen because most applications run at a higher temperature than 25°C.

### Thermal Hysteresis

The change of output voltage after the device is cycled through temperature from +25°C to -40°C to +85°C and back to +25°C. This is a typical value from a sample of parts put through such a cycle.

$$V_{OUT\_HYS} = V_{OUT}(25^{\circ}\text{C}) - V_{OUT\_TC}$$

$$V_{OUT\_HYS}[\text{ppm}] = \frac{V_{OUT}(25^{\circ}\text{C}) - V_{OUT\_TC}}{V_{OUT}(25^{\circ}\text{C})} \times 10^6$$

where:

$V_{OUT}(25^{\circ}\text{C}) = V_{OUT}$  at 25°C.

$V_{OUT\_TC} = V_{OUT}$  at 25°C after a temperature cycle from +25°C to -40°C to +85°C and back to +25°C.

## THEORY OF OPERATION

Band gap references are the high performance solution for low supply voltage and low power voltage reference applications, and the ADR380/ADR381 are no exception. However, the uniqueness of this product lies in its architecture. As shown in Figure 26, the ideal zero TC band gap voltage is referenced to the output, not to ground. The band gap cell consists of the PNP pair Q51 and Q52, running at unequal current densities. The difference in  $V_{BE}$  results in a voltage with a positive TC that is amplified by the ratio of  $2 \times R58/R54$ . This PTAT voltage, combined with the  $V_{BE}$  of Q51 and Q52, produce the stable band gap voltage. Reduction in the band gap curvature is performed by the ratio of the two resistors, R44 and R59. Precision laser trimming and other patented circuit techniques are used to further enhance the drift performance.

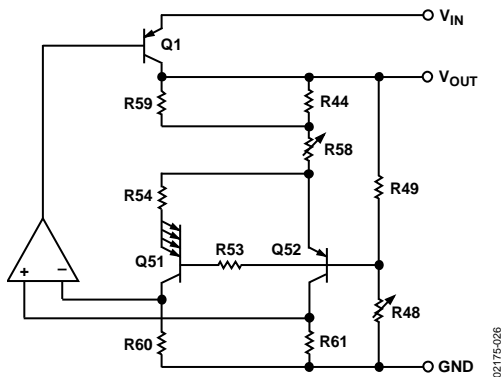


Figure 26. Simplified Schematic

02175-026

## DEVICE POWER DISSIPATION CONSIDERATIONS

The ADR380/ADR381 are capable of delivering load currents to 5 mA with an input voltage that ranges from 2.8 V (ADR381 only) to 15 V. When this device is used in applications with large input voltages, take care to avoid exceeding the specified maximum power dissipation or junction temperature that may result in premature device failure. Use the following formula to calculate a device's maximum junction temperature or dissipation:

$$P_D = \frac{T_J - T_A}{\theta_{JA}}$$

where:

$P_D$  is the device power dissipation,

$T_J$  and  $T_A$  are junction and ambient temperatures, respectively.

$\theta_{JA}$  is the device package thermal resistance.

## INPUT CAPACITOR

An input capacitor is not required on the ADR380/ADR381. There is no limit for the value of the capacitor used on the input, but a capacitor on the input improves transient response in applications where the load current suddenly increases.

## OUTPUT CAPACITOR

The ADR380/ADR381 do not need an output capacitor for stability under any load condition. Using an output capacitor, typically 0.1  $\mu\text{F}$ , removes any very low level noise voltage and does not affect the operation of the part. The only parameter that degrades by applying an output capacitor is turn-on time. (This varies depending on the size of the capacitor.) Load transient response is also improved with an output capacitor, which acts as a source of stored energy for a sudden increase in load current.

## APPLICATIONS INFORMATION

### STACKING REFERENCE ICs FOR ARBITRARY OUTPUTS

Some applications may require two reference voltage sources, which are a combined sum of standard outputs. The following circuit shows how this stacked output reference can be implemented:

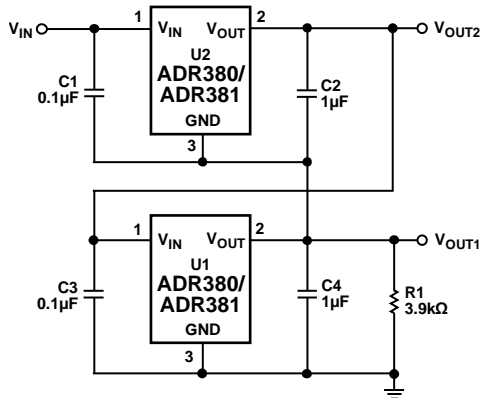


Figure 27. Stacking Voltage References with the ADR380/ADR381

Two ADR380s or ADR381s are used; the outputs of the individual references are simply cascaded to reduce the supply current. Such configuration provides two output voltages:  $V_{OUT1}$  and  $V_{OUT2}$ .  $V_{OUT1}$  is the terminal voltage of U1, while  $V_{OUT2}$  is the sum of this voltage and the terminal voltage of U2. U1 and U2 can be chosen for the two different voltages that supply the required outputs.

While this concept is simple, a precaution is in order. Because the lower reference circuit must sink a small bias current from U2, plus the base current from the series PNP output transistor in U2, the external load of either U1 or R1 must provide a path for this current. If the U1 minimum load is not well-defined, Resistor R1 should be used, set to a value that conservatively passes 600  $\mu\text{A}$  of current with the applicable  $V_{OUT1}$  across it. Note that the two U1 and U2 reference circuits are locally treated as macrocells, each having its own bypasses at input and output for optimum stability. Both U1 and U2 in this circuit can source dc currents up to their full rating. The minimum input voltage,  $V_{IN}$ , is determined by the sum of the outputs,  $V_{OUT2}$ , plus the 300 mV dropout voltage of U2.

### A NEGATIVE PRECISION REFERENCE WITHOUT PRECISION RESISTORS

In many current-output CMOS DAC applications where the output signal voltage must be of the same polarity as the reference voltage, it is often required to reconfigure a current-switching DAC into a voltage-switching DAC through the use of a 1.25 V reference, an op amp, and a pair of resistors. Using a current switching DAC directly requires an additional operational amplifier at the output to reinvert the signal. A negative voltage reference is then desirable from the point that an additional operational amplifier is not required for either reinversion

(current-switching mode) or amplification (voltage-switching mode) of the DAC output voltage. In general, any positive voltage reference can be converted into a negative voltage reference through the use of an operational amplifier and a pair of matched resistors in an inverting configuration. The disadvantage to this approach is that the largest single source of error in the circuit is the relative matching of the resistors used.

The circuit in Figure 28 avoids the need for tightly matched resistors with the use of an active integrator circuit. In this circuit, the output of the voltage reference provides the input drive for the integrator. The integrator, to maintain circuit equilibrium, adjusts its output to establish the proper relationship between the reference  $V_{OUT}$  and GND. Thus, any negative output voltage desired can be chosen by substituting for the appropriate reference IC. A precaution should be noted with this approach: although rail-to-rail output amplifiers work best in the application, these operational amplifiers require a finite amount (mV) of headroom when required to provide any load current. The choice for the circuit's negative supply should take this issue into account.

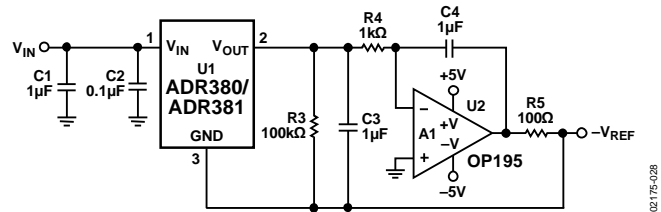


Figure 28. Negative Precision Voltage Reference Using No Precision Resistors

### PRECISION CURRENT SOURCE

Many times in low power applications, the need arises for a precision current source that can operate on low supply voltages. As shown in Figure 29, the ADR380/ADR381 can be configured as a precision current source. The circuit configuration illustrated is a floating current source with a grounded load. The reference output voltage is bootstrapped across  $R_{SET}$  ( $R1 + P1$ ), which sets the output current into the load. With this configuration, circuit precision is maintained for load currents in the range from the reference supply current, typically 90  $\mu\text{A}$  to approximately 5 mA.

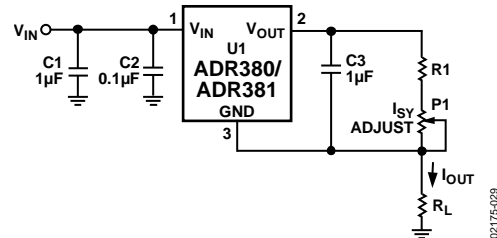


Figure 29. Precision Current Source

**PRECISION HIGH CURRENT VOLTAGE SOURCE**

In some cases, the user may want higher output current delivered to a load and still achieve better than 0.5% accuracy from the ADR380/ADR381. The accuracy for a reference is normally specified on the data sheet with no load. However, the output voltage changes with load current.

The circuit in Figure 30 provides high current without compromising the accuracy of the ADR380/ADR381. By op amp action,  $V_{OUT}$  follows  $V_{REF}$  with very low drop in  $R1$ . To maintain circuit equilibrium, the op amp also drives the N-Channel MOSFET Q1 into saturation to maintain the current needed at different loads.  $R2$  is optional to prevent oscillation at Q1. In such an approach, hundreds of milliamps of load current can be achieved, and the current is limited by the thermal limitation of Q1.  $V_{IN} = V_{OUT} + 300\text{ mV}$ .

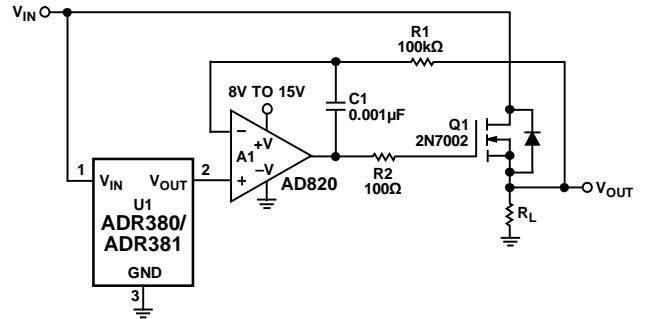
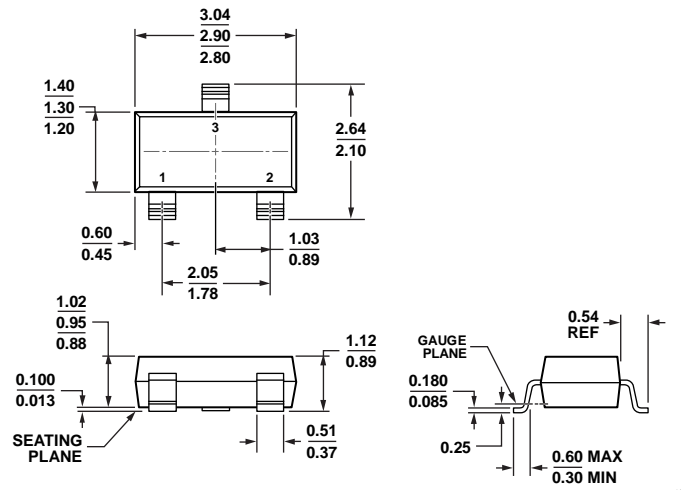


Figure 30. ADR380/ADR381 for Precision High Current Voltage Source

02175-030

OUTLINE DIMENSIONS



COMPLIANT TO JEDEC STANDARDS TO-236-AB

Figure 31. 3-Lead Small Outline Transistor Package [SOT-23-3] (RT-3)

Dimensions shown in millimeters

011905-C

ORDERING GUIDE

Model <sup>1</sup>	Temperature Range	Package Description	Package Option	Branding <sup>2</sup>	Output Voltage	Ordering Quantity
ADR380ARTZ-REEL7	-40°C to +85°C	3-Lead SOT-23	RT-3	R2D	2.048	3,000
ADR381ARTZ-R2	-40°C to +85°C	3-Lead SOT-23	RT-3	R3A	2.500	250
ADR381ARTZ-REEL7	-40°C to +85°C	3-Lead SOT-23	RT-3	R3A#	2.500	3,000

<sup>1</sup> Z = RoHS Compliant Part, # denotes RoHS compliant product may be top or bottom marked.

<sup>2</sup> Prior to Date Code 0542, the ADR380ARTZ-REEL7 parts were branded with R2A without the #.

**NOTES**

**NOTES**