

### FEATURES

- Bias Current Range 4 mA to 200 mA**
- Monitor Photodiode Current 50  $\mu$ A to 1200  $\mu$ A**
- Closed-Loop Control of Average Power**
- Laser FAIL and Laser DEGRADE Alarms**
- Automatic Laser Shutdown, ALS**
- Full Current Parameter Monitoring**
- 5 V Operation**
- 40°C to +85°C Temperature Range**
- 5 mm  $\times$  5 mm 32-Lead LFCSP Package**

### APPLICATIONS

**Fiber Optic Communication**

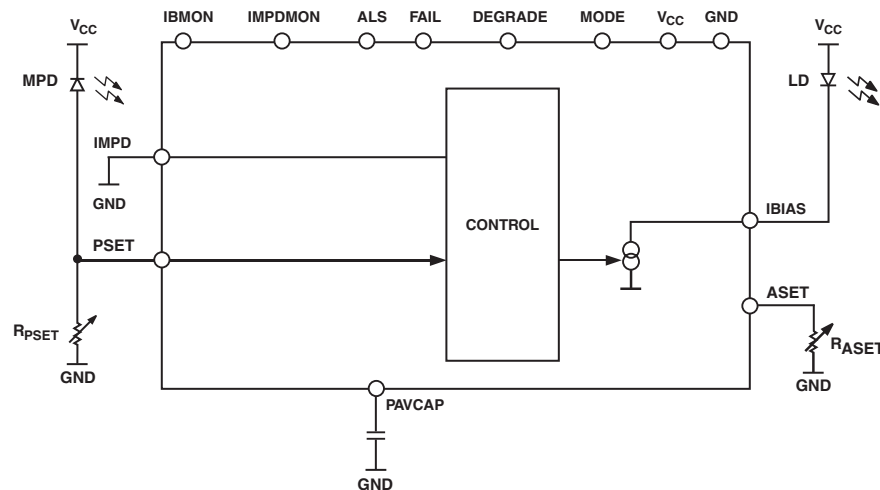
### GENERAL DESCRIPTION

The ADN2830 provides closed-loop control of the average optical power of a continuous wave (CW) laser diode (LD) after initial factory setup. The control loop adjusts the laser IBIAS to maintain a constant back facet monitor photodiode (MPD) current and thus a constant laser optical power. The external PSET resistor is adjusted during factory setup to set the desired optical power.  $R_{PSET}$  is set at  $1.23/I_{AV}$ , where  $I_{AV}$  is the MPD current corresponding to the desired optical power. Programmable alarms are provided for laser fail (end of life) and laser degrade (impending fail).

To provide monitoring of the MPD current, the MPD can be connected to the IMPD pin. In this case, the MPD current is mirrored to the IMPDMON pin to provide a monitor and internally to the PSET pin to close the control loop.

By closing the feedback using IBMON rather than an MPD connected to PSET, the device is configured to control a constant current in the laser rather than a constant optical output power.

### FUNCTIONAL BLOCK DIAGRAM



REV. A

Information furnished by Analog Devices is believed to be accurate and reliable. However, no responsibility is assumed by Analog Devices for its use, nor for any infringements of patents or other rights of third parties that may result from its use. No license is granted by implication or otherwise under any patent or patent rights of Analog Devices. Trademarks and registered trademarks are the property of their respective companies.

# ADN2830—SPECIFICATIONS ( $V_{CC} = 5\text{ V} \pm 10\%$ . All specifications $T_{MIN}$ to $T_{MAX}$ , unless otherwise noted<sup>1</sup>. Typical values as specified at 25°C.)

| Parameter                                      | Min  | Typ  | Max            | Unit          | Conditions/Comments |
|--|------|------|----------------|---------------|---------------------|
| LASER BIAS (BIAS)                              |      |      |                |               |                     |
| Output Current IBIAS                           | 4    |      | 200            | mA            |                     |
| Compliance Voltage                             | 1.2  |      | $V_{CC}$       | V             |                     |
| IBIAS during ALS                               |      |      | 40             | $\mu\text{A}$ |                     |
| ALS Response Time                              |      | 10   |                | $\mu\text{s}$ |                     |
| MONITOR PD (IMPD)                              |      |      |                |               |                     |
| Current  | 50   |      | 1200           | $\mu\text{A}$ |                     |
| Input Voltage                                  |      |      | 1.6            | V             |                     |
| POWER SET INPUT (PSET)                         |      |      |                |               |                     |
| Capacitance                                    |      |      | 80             | pF            |                     |
| Input Current                                  | 50   |      | 1200           | $\mu\text{A}$ |                     |
| Voltage  | 1.15 | 1.23 | 1.35           | V             |                     |
| ALARM SET (ASET)                               |      |      |                |               |                     |
| Allowable Resistance Range                     | 1.2  |      | 13             | k $\Omega$    |                     |
| Voltage  | 1.15 | 1.23 | 1.35           | V             |                     |
| Hysteresis                                     |      | 5    |                | %             |                     |
| LOGIC INPUTS (ALS, MODE)                       |      |      |                |               |                     |
| $V_{IH}$                                       | 2.4  |      |                | V             |                     |
| $V_{IL}$                                       |      |      | 0.8            | V             |                     |
| ALARM OUTPUTS (Internal 30 k $\Omega$ Pull-Up) |      |      |                |               |                     |
| $V_{OH}$                                       | 2.4  |      |                | V             |                     |
| $V_{OL}$                                       |      |      | 0.4            | V             |                     |
| IBMON IMPDMON                                  |      |      |                |               |                     |
| IBMON, Division Ratio                          |      | 100  |                | A/A           |                     |
| IMPDMON Division Ratio                         |      | 1    |                | A/A           |                     |
| Compliance Voltage                             | 0    |      | $V_{CC} - 1.2$ | V             |                     |
| SUPPLY   |      |      |                |               |                     |
| $I_{CC}^2$                                     |      | 25   |                | mA            | IBIAS = 0           |
| $V_{CC}$                                       | 4.5  | 5.0  | 5.5            | V             |                     |

## NOTES

<sup>1</sup>Temperature range: -40°C to +85°C.

<sup>2</sup> $I_{CC}$  for power calculation is the typical  $I_{CC}$  given.

Specifications subject to change without notice.

## ABSOLUTE MAXIMUM RATINGS<sup>1</sup>

(T<sub>A</sub> = 25°C, unless otherwise noted.)

|  |   |
|--|---|
| V <sub>CC</sub> to GND                         | 7 V   |
| Digital Inputs (ALS, Mode)                     | -0.3 V to V <sub>CC</sub> + 0.3 V                         |
| Operating Temperature Range                    |   |
| Industrial                                     | -40°C to +85°C  |
| Storage Temperature Range                      | -65°C to +150°C   |
| Junction Temperature (T <sub>J</sub> Max)      | 150°C   |
| θ <sub>JA</sub> Thermal Impedance <sup>2</sup> | 32°C/W  |
| 32-Lead LFCSP Package,                         |   |
| Power Dissipation                              | (T <sub>J</sub> Max - T <sub>A</sub> )/θ <sub>JA</sub> mW |
| Lead Temperature (Soldering 10 sec)            | 300°C   |

## NOTES

<sup>1</sup>Stresses above those listed under Absolute Maximum Ratings may cause permanent damage to the device. This is a stress rating only; functional operation of the device at these or any other conditions above those listed in the operational sections of this specification is not implied. Exposure to absolute maximum rating conditions for extended periods may affect device reliability.

<sup>2</sup>θ<sub>JA</sub> is defined when the part is soldered onto a 4-layer board.

## ORDERING GUIDE

| Model              | Temperature Range | Package Description |
|--------------------|-------------------|---------------------|
| ADN2830ACP32       | -40°C to +85°C    | 32-Lead LFCSP       |
| ADN2830ACP32-REEL7 | -40°C to +85°C    | 32-Lead LFCSP       |
| ADN2830ACP32-REEL  | -40°C to +85°C    | 32-Lead LFCSP       |

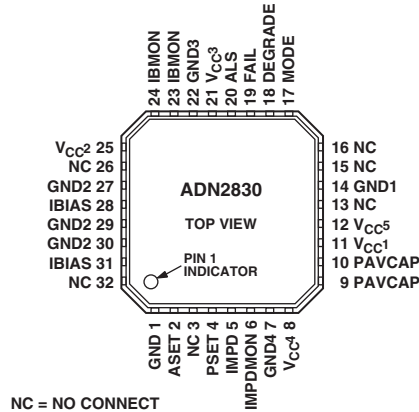
## CAUTION

ESD (electrostatic discharge) sensitive device. Electrostatic charges as high as 4000 V readily accumulate on the human body and test equipment and can discharge without detection. Although the ADN2830 features proprietary ESD protection circuitry, permanent damage may occur on devices subjected to high energy electrostatic discharges. Therefore, proper ESD precautions are recommended to avoid performance degradation or loss of functionality.



# ADN2830

## PIN CONFIGURATION



## PIN FUNCTION DESCRIPTIONS

| Pin No. | Mnemonic          | Function   |
|---------|-------------------|--|
| 1       | GND               | Supply Ground  |
| 2       | ASET              | Alarm Current Threshold Set Pin  |
| 3       | NC                | No Connect   |
| 4       | PSET              | Average Optical Power Set Pin  |
| 5       | IMPD              | Monitor Photodiode Input   |
| 6       | IMPDMON           | Mirrored Current from Monitor Photodiode—Current Source                |
| 7       | GND4              | Supply Ground  |
| 8       | V <sub>CC</sub> 4 | Supply Voltage   |
| 9       | PAVCAP            | Average Power Loop Capacitor   |
| 10      | PAVCAP            | Average Power Loop Capacitor   |
| 11      | V <sub>CC</sub> 1 | Supply Voltage   |
| 12      | V <sub>CC</sub> 5 | Supply Voltage   |
| 13      | NC                | No Connect   |
| 14      | GND1              | Supply Ground  |
| 15      | NC                | No Connect   |
| 16      | NC                | No Connect   |
| 17      | MODE              | Mode Select: Tied to ALS = Standalone, High = Parallel Current Booster |
| 18      | DEGRADE           | DEGRADE Alarm Output   |
| 19      | FAIL              | FAIL Alarm Output  |
| 20      | ALS               | Automatic Laser Shutdown   |
| 21      | V <sub>CC</sub> 3 | Supply Voltage   |
| 22      | GND3              | Supply Ground  |
| 23      | IBMON             | Bias Current Monitor Output—Current Source                             |
| 24      | IBMON             | Bias Current Monitor Output—Current Source                             |
| 25      | V <sub>CC</sub> 2 | Supply Voltage   |
| 26      | NC                | No Connect   |
| 27      | GND2              | Supply Ground  |
| 28      | IBIAS             | Laser Diode Bias Current   |
| 29      | GND2              | Supply Ground  |
| 30      | GND2              | Supply Ground  |
| 31      | IBIAS             | Laser Diode Bias Current   |
| 32      | NC                | No Connect   |

## GENERAL

Laser diodes have current-in to light-out transfer functions as shown in Figure 1. Two key characteristics of this transfer function are the threshold current,  $I_{TH}$ , and slope in the linear region beyond the threshold current, referred to as slope efficiency (LI).

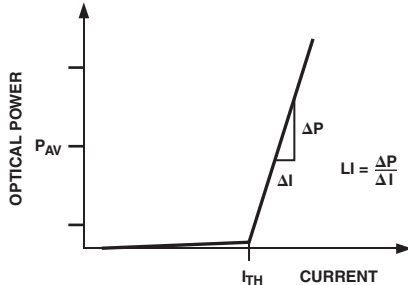


Figure 1. Laser Transfer Function

## CONTROL

A monitor photodiode (MPD) is required to control the laser diode. The MPD current is fed into the ADN2830 to control the power, continuously adjusting the bias current in response to the laser's changing threshold current and light to current (LI) slope (slope efficiency).

The ADN2830 uses automatic power control (APC) to maintain a constant power over time and temperature.

The average power is controlled by the  $R_{PSET}$  resistor connected between the PSET pin and ground. The PSET pin is kept 1.23 V above GND. For an initial setup, the  $R_{PSET}$  resistor can be calculated using the following formula.

$$R_{PSET} = \frac{1.23 V}{I_{AV}}$$

where  $I_{AV}$  is average MPD current.

Note the  $I_{PSET}$  will change from device to device. It is not required to know exact values for LI and MPD optical coupling.

## LOOP BANDWIDTH SELECTION

Capacitor values greater than 22 nF are used to set the actual loop bandwidth. This capacitor is placed between the PAVCAP pin and ground. It is important that the capacitor is a low leakage multilayer ceramic with an insulation resistance greater than 100 GΩ or a time constant of 1000 sec, whichever is less.

## ALARMS

The ADN2830 has two active high alarms, DEGRADE and FAIL. A resistor between ground and the ASET pin is used to set the current at which these alarms are raised. The current through the ASET resistor is a ratio of  $(N \times 200):1$  to the FAIL alarm threshold ( $N$  is the number of ADN2830s in parallel). The DEGRADE alarm will be raised at 90% of this level.

Example:

$$I_{FAIL} = 50 \text{ mA}, N = 1 \therefore I_{DEGRADE} = 45 \text{ mA}$$

$$I_{ASET} = \frac{I_{BLASTRIP}}{N \times 200} = \frac{50 \text{ mA}}{200} = 250 \mu\text{A}$$

$$*R_{ASET} = \frac{1.23 V}{I_{ASET}} = \frac{1.23}{250 \mu\text{A}} = 4.92 \text{ k}\Omega$$

The laser degrade alarm, DEGRADE, gives a warning of imminent laser failure if the laser diode degrades further or environmental conditions continue to stress the laser diode, e.g., increasing temperature.

The laser fail alarm, FAIL, is activated when:

- The ASET threshold is reached.
- The ALS pin is set high. This shuts off the modulation and bias currents to the laser diode, resulting in the MPD current dropping to zero.

DEGRADE will only be raised when the bias current exceeds 90% of the ASET current.

## MONITOR CURRENTS

IBMON and IMPDMON are current controlled current sources from  $V_{CC}$ . They mirror the bias and MPD current for increased monitoring functionality. An external resistor to GND gives a voltage proportional to the current monitored. If the IMPDMON function is not used, the IMPD pin must be grounded and the monitor photodiode must be tied directly to the PSET pin.

## AUTOMATIC LASER SHUTDOWN

When ALS is logic high, the bias current is turned off. Correct operation of ALS can be confirmed by the fail alarm being raised when ALS is asserted. Note that this is the only time DEGRADE will be low while FAIL is high.

## MODE

The MODE feature on the ADN2830 allows the user to operate more than one ADN2830 in parallel current boosting mode to achieve up to  $N \times 200$  mA of bias current ( $N$  is the number of ADN2830s in parallel). When using parallel boosting mode, one device is run as the master, the other as the slave. The MODE pin on the master is tied to ALS and the MODE pin on the slave is tied high (see Figure 3 for reference circuit).

## ALARM INTERFACES

The FAIL and DEGRADE outputs have an internal 30 kΩ pull-up resistor that is used to pull the digital high value to  $V_{CC}$ . However, the alarm output may be overdriven with an external resistor allowing the alarm interfacing to non- $V_{CC}$  levels. Non- $V_{CC}$  alarm output levels must be below the  $V_{CC}$  used for the ADN2830.

\*The smallest value for  $R_{ASET}$  is 1.2 kΩ, as this corresponds to the IBIAS maximum of  $N \times 200$  mA.



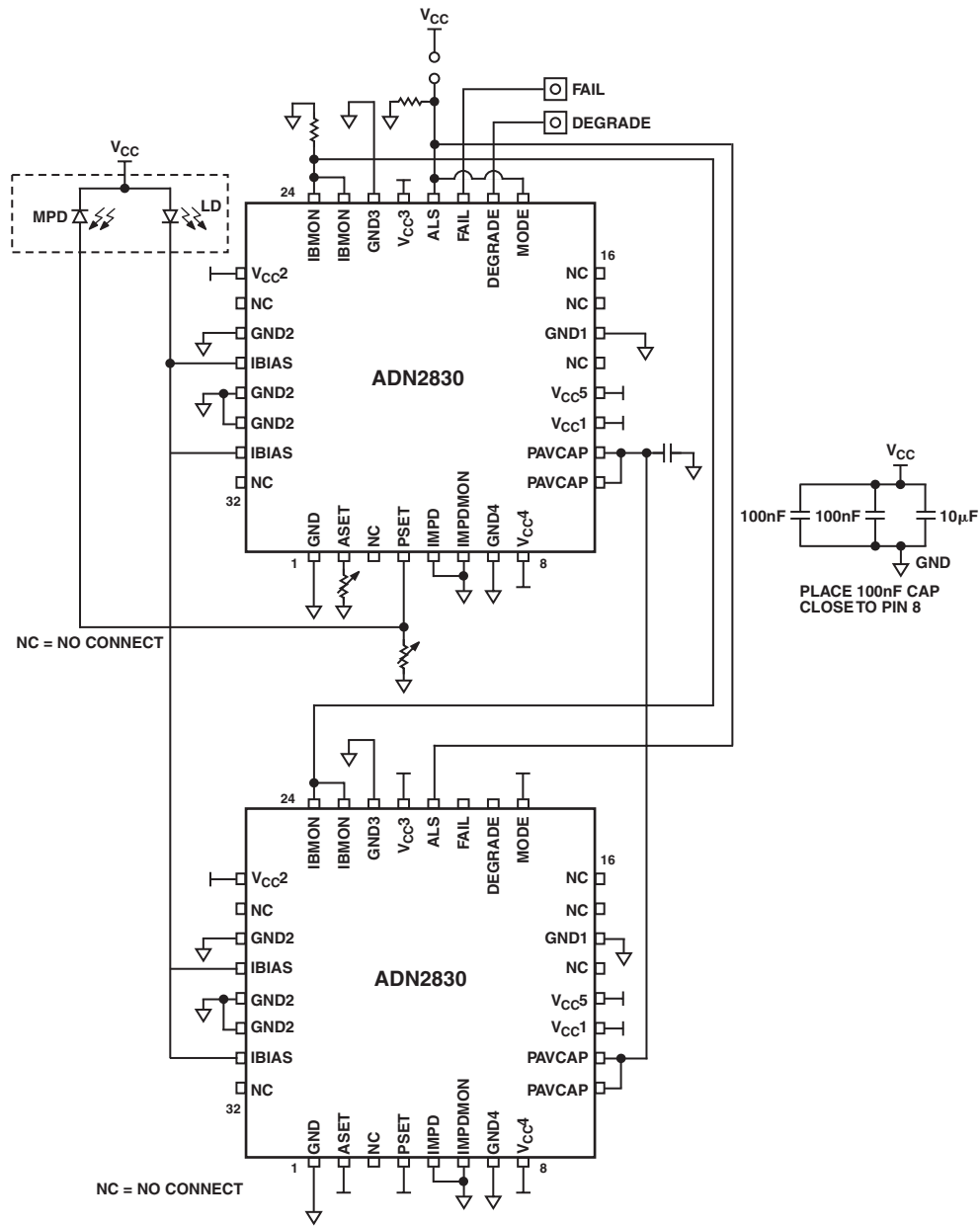
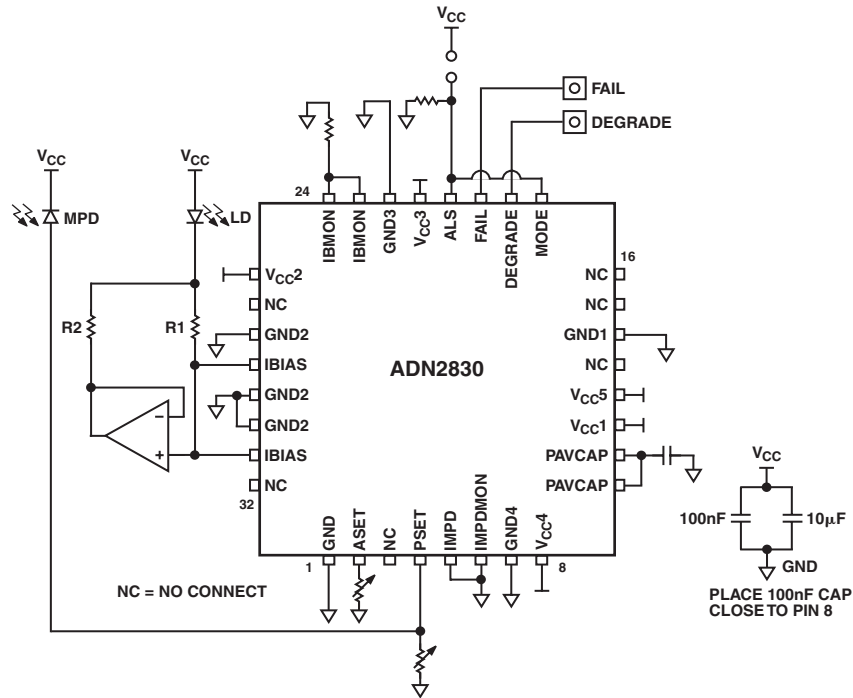


Figure 3. Test Circuit, Second ADN2830 Used in Parallel Current Boosting Mode to Achieve 400 mA Max IBIAS

# ADN2830



## NOTES

1. FOR DIGITAL CONTROL, REPLACE  $R_{PSET}$  WITH A DIGITAL POTENTIOMETER FROM ANALOG DEVICES: ADN2850 10-BIT RESOLUTION, 35 ppm/°C TC, EEPROM; AD5242 8-BIT RESOLUTION, 30 ppm/°C TC.
2. TOTAL CURRENT TO LASER =  $IBIAS + IBIAS \times R1/R2$ .
3. FOR BEST ACCURACY, SIZE R1 TO HAVE A MAXIMUM VOLTAGE DROP ACROSS IT WITHIN THE HEADROOM CONSTRAINTS.
4. FOR 250 mA EXTRA IBIAS (450 mA TOTAL) FROM AMP1, USE AD8591 AMPLIFIER. AMP1 IS THE OPERATIONAL AMPLIFIER SHOWN IN THIS FIGURE.
5. FOR 350 mA EXTRA IBIAS (550 mA TOTAL) FROM AMP1, USE ANALOG DEVICES' SSM2211 AMPLIFIER. AMP1 IS THE OPERATIONAL AMPLIFIER SHOWN IN THIS FIGURE.

Figure 4. The ADN2830 Configured with Current Multiplier

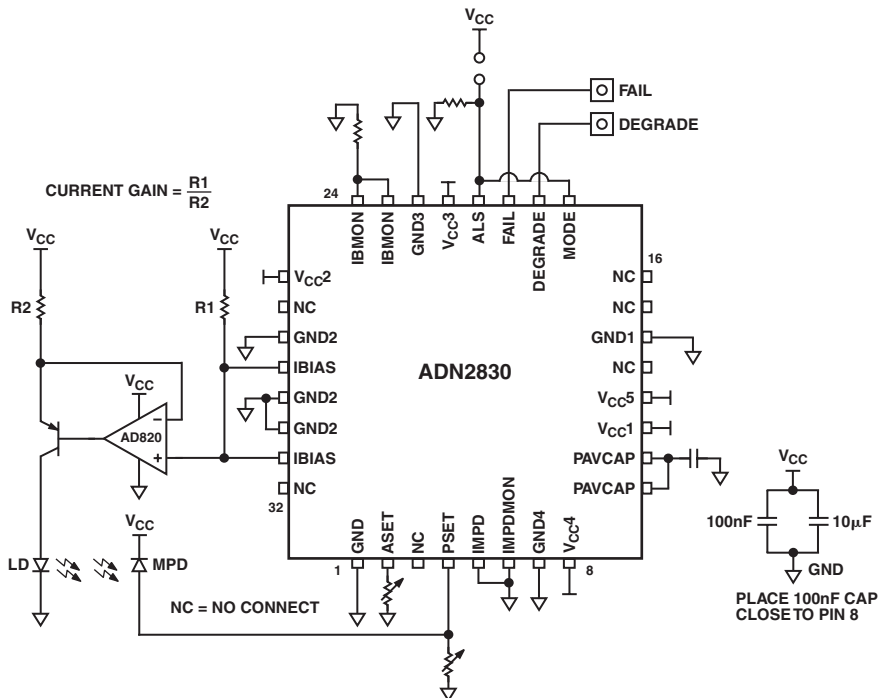


Figure 5. The ADN2830 Configured as Average Power Controller (Bias Current Sourced)



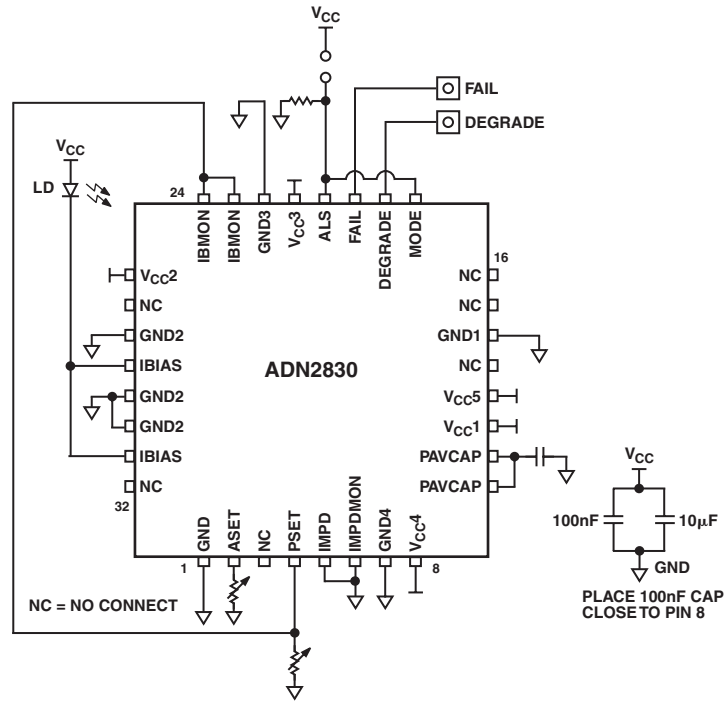
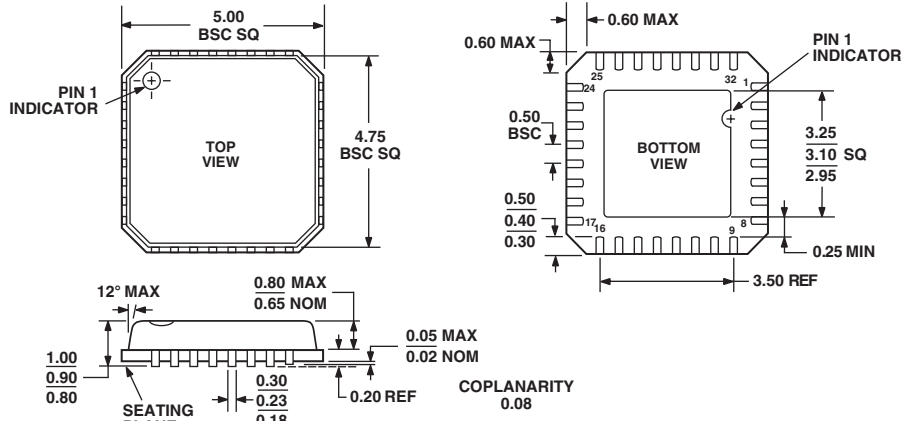


Figure 6. The ADN2830 Configured as a Controlled Current Source by Feeding Back the Bias Monitor Current to  $R_{PSET}$

# ADN2830

## OUTLINE DIMENSIONS 32-Lead Frame Chip Scale Package [LFCSP] (CP-32)

Dimensions shown in millimeters



COMPLIANT TO JEDEC STANDARDS MO-220-VHHD-2

## Revision History

| Location                                       | Page |
|--|------|
| 6/03—Data Sheet changed from REV. 0 to REV. A. |      |
| Changes to ABSOLUTE MAXIMUM RATINGS .....      | 3    |
| Updated OUTLINE DIMENSIONS .....               | 10   |



