

ADC12D1800RF

ADC12D1800RF 12-Bit, Single 3.6 GSPS RF Sampling ADC

Data Manual



PRODUCTION DATA information is current as of publication date. Products conform to specifications per the terms of the Texas Instruments standard warranty. Production processing does not necessarily include testing of all parameters.

Literature Number: SNAS518H
July 2011–Revised April 2013

Contents

| | | |
|----------|---|-----------|
| 1 | Introduction | 7 |
| 1.1 | Features | 7 |
| 1.2 | Applications | 7 |
| 1.3 | Description | 7 |
| 2 | Device Information | 8 |
| 2.1 | Block Diagram | 8 |
| 2.2 | RF Performance | 9 |
| 2.3 | Connection Diagram | 10 |
| 2.4 | Ball Descriptions and Equivalent Circuits | 11 |
| 3 | Electrical Specifications | 19 |
| 3.1 | Absolute Maximum Ratings | 19 |
| 3.2 | Operating Ratings | 19 |
| 3.3 | Package Thermal Resistance | 20 |
| 3.4 | Converter Electrical Characteristics Static Converter Characteristics | 20 |
| 3.5 | Converter Electrical Characteristics Dynamic Converter Characteristics | 21 |
| 3.6 | Converter Electrical Characteristics Analog Input / Output and Reference Characteristics | 24 |
| 3.7 | Converter Electrical Characteristics I-Channel to Q-Channel Characteristics | 25 |
| 3.8 | Converter Electrical Characteristics Sampling Clock Characteristics | 25 |
| 3.9 | Converter Electrical Characteristics AutoSync Feature Characteristics | 25 |
| 3.10 | Converter Electrical Characteristics Digital Control and Output Pin Characteristics | 26 |
| 3.11 | Converter Electrical Characteristics Power Supply Characteristics | 27 |
| 3.12 | Converter Electrical Characteristics AC Electrical Characteristics | 27 |
| 3.13 | Converter Electrical Characteristics Serial Port Interface | 29 |
| 3.14 | Converter Electrical Characteristics Calibration | 29 |
| 4 | Specification Definitions | 30 |
| 4.1 | Transfer Characteristic | 32 |
| 4.2 | Timing Diagrams | 33 |
| 5 | Typical Performance Plots | 36 |
| 6 | Functional Description | 41 |
| 6.1 | OVERVIEW | 41 |
| 6.2 | CONTROL MODES | 41 |
| 6.2.1 | Non-Extended Control Mode | 41 |
| 6.2.1.1 | Dual Edge Sampling Pin (DES) | 42 |
| 6.2.1.2 | Non-Demultiplexed Mode Pin (NDM) | 42 |
| 6.2.1.3 | Dual Data Rate Phase Pin (DDRPh) | 42 |
| 6.2.1.4 | Calibration Pin (CAL) | 43 |
| 6.2.1.5 | Calibration Delay Pin (CalDly) | 43 |
| 6.2.1.6 | Power Down I-channel Pin (PDI) | 43 |
| 6.2.1.7 | Power Down Q-channel Pin (PDQ) | 43 |
| 6.2.1.8 | Test Pattern Mode Pin (TPM) | 43 |
| 6.2.1.9 | Full-Scale Input Range Pin (FSR) | 43 |
| 6.2.1.10 | AC / DC-Coupled Mode Pin (V_{CMO}) | 44 |
| 6.2.1.11 | LVDS Output Common-mode Pin (V_{BG}) | 44 |

| | | |
|---------|--|--------------------|
| 6.2.2 | Extended Control Mode | 44 |
| 6.2.2.1 | The Serial Interface | 44 |
| 6.3 | FEATURES | 46 |
| 6.3.1 | Input Control and Adjust | 47 |
| 6.3.1.1 | AC/DC-coupled Mode | 47 |
| 6.3.1.2 | Input Full-Scale Range Adjust | 47 |
| 6.3.1.3 | Input Offset Adjust | 48 |
| 6.3.1.4 | DES/Non-DES Mode | 48 |
| 6.3.1.5 | DES Timing Adjust | 48 |
| 6.3.1.6 | Sampling Clock Phase Adjust | 49 |
| 6.3.2 | Output Control and Adjust | 49 |
| 6.3.2.1 | SDR / DDR Clock | 49 |
| 6.3.2.2 | LVDS Output Differential Voltage | 50 |
| 6.3.2.3 | LVDS Output Common-Mode Voltage | 50 |
| 6.3.2.4 | Output Formatting | 50 |
| 6.3.2.5 | Demux/Non-demux Mode | 50 |
| 6.3.2.6 | Test Pattern Mode | 51 |
| 6.3.2.7 | Time Stamp | 52 |
| 6.3.3 | Calibration Feature | 52 |
| 6.3.3.1 | Calibration Control Pins and Bits | 52 |
| 6.3.3.2 | How to Execute a Calibration | 52 |
| 6.3.3.3 | Power-on Calibration | 52 |
| 6.3.3.4 | On-command Calibration | 53 |
| 6.3.3.5 | Calibration Adjust | 53 |
| 6.3.3.6 | Read / Write Calibration Settings | 53 |
| 6.3.3.7 | Calibration and Power-Down | 54 |
| 6.3.3.8 | Calibration and the Digital Outputs | 54 |
| 6.3.4 | Power Down | 54 |
| 6.4 | Applications Information | 54 |
| 6.4.1 | THE ANALOG INPUTS | 54 |
| 6.4.1.1 | Acquiring the Input | 55 |
| 6.4.1.2 | Driving the ADC in DES Mode | 55 |
| 6.4.1.3 | FSR and the Reference Voltage | 56 |
| 6.4.1.4 | Out-Of-Range Indication | 56 |
| 6.4.1.5 | Maximum Input Range | 56 |
| 6.4.1.6 | AC-coupled Input Signals | 56 |
| 6.4.1.7 | DC-coupled Input Signals | 57 |
| 6.4.1.8 | Single-Ended Input Signals | 57 |
| 6.4.2 | THE CLOCK INPUTS | 57 |
| 6.4.2.1 | CLK Coupling | 58 |
| 6.4.2.2 | CLK Frequency | 58 |
| 6.4.2.3 | CLK Level | 58 |
| 6.4.2.4 | CLK Duty Cycle | 58 |
| 6.4.2.5 | CLK Jitter | 58 |
| 6.4.2.6 | CLK Layout | 59 |
| 6.4.3 | THE LVDS OUTPUTS | 59 |
| 6.4.3.1 | Common-mode and Differential Voltage | 59 |
| 6.4.3.2 | Output Data Rate | 59 |
| 6.4.3.3 | Terminating Unused LVDS Output Pins | 59 |
| 6.4.4 | SYNCHRONIZING MULTIPLE ADC12D1800RFS IN A SYSTEM | 60 |
| 6.4.4.1 | AutoSync Feature | 60 |
| 6.4.4.2 | DCLK Reset Feature | 61 |
| 6.4.5 | SUPPLY / GROUNDING, LAYOUT AND THERMAL RECOMMENDATIONS | 61 |

| | | |
|-------------------------------|--|---------------------------|
| 6.4.5.1 | Power Planes | 61 |
| 6.4.5.2 | Bypass Capacitors | 62 |
| 6.4.5.3 | Ground Planes | 62 |
| 6.4.5.4 | Power System Example | 62 |
| 6.4.5.5 | Thermal Management | 63 |
| 6.4.6 | SYSTEM POWER-ON CONSIDERATIONS | 64 |
| 6.4.6.1 | Power-on, Configuration, and Calibration | 64 |
| 6.4.6.2 | Power-on and Data Clock (DCLK) | 66 |
| 6.4.7 | RECOMMENDED SYSTEM CHIPS | 67 |
| 6.4.7.1 | Temperature Sensor | 67 |
| 6.4.7.2 | Clocking Device | 68 |
| 6.4.7.3 | Amplifiers for Analog Input | 68 |
| 6.4.7.4 | Balun Recommendations for Analog Input | 68 |
| 6.5 | Register Definitions | 69 |
| Revision History | | 75 |

List of Figures

| | | |
|------|--|--------------------|
| 2-1 | ADC12D1800RF Non-DES Mode IMD ₃ | 9 |
| 2-2 | ADC12D1800RF DES Mode FFT | 10 |
| 2-3 | ADC12D1800RF Connection Diagram | 10 |
| 4-1 | LVDS Output Signal Levels | 31 |
| 4-2 | Input / Output Transfer Characteristic | 33 |
| 4-3 | Clocking in 1:2 Demux Non-DES Mode*..... | 33 |
| 4-4 | Clocking in Non-Demux Non-DES Mode*..... | 33 |
| 4-5 | Clocking in 1:4 Demux DES Mode*..... | 34 |
| 4-6 | Clocking in Non-Demux Mode DES Mode*..... | 34 |
| 4-7 | Data Clock Reset Timing (Demux Mode) | 35 |
| 4-8 | Power-on and On-Command Calibration Timing..... | 35 |
| 4-9 | Serial Interface Timing..... | 35 |
| 6-1 | Serial Data Protocol - Read Operation | 46 |
| 6-2 | Serial Data Protocol - Write Operation | 46 |
| 6-3 | DDR DCLK-to-Data Phase Relationship | 49 |
| 6-4 | SDR DCLK-to-Data Phase Relationship | 50 |
| 6-5 | Driving DESIQ Mode..... | 55 |
| 6-6 | AC-coupled Differential Input | 57 |
| 6-7 | Single-Ended to Differential Conversion Using a Balun..... | 57 |
| 6-8 | Differential Input Clock Connection | 58 |
| 6-9 | AutoSync Example | 61 |
| 6-10 | Power and Grounding Example | 63 |
| 6-11 | HSBGA Conceptual Drawing | 63 |
| 6-12 | Power-on with Control Pins set by Pull-up / down Resistors | 66 |
| 6-13 | Power-on with Control Pins set by FPGA pre Power-on Cal | 66 |
| 6-14 | Power-on with Control Pins set by FPGA post Power-on Cal..... | 66 |
| 6-15 | Supply and DCLK Ramping..... | 67 |
| 6-16 | Typical Temperature Sensor Application..... | 68 |

List of Tables

| | | |
|------|---|--------------------|
| 2-1 | Analog Front-End and Clock Balls | 11 |
| 2-2 | Control and Status Balls | 13 |
| 2-3 | Power and Ground Balls | 16 |
| 2-4 | High-Speed Digital Outputs | 17 |
| 6-1 | Non-ECM Pin Summary | 42 |
| 6-2 | Serial Interface Pins..... | 44 |
| 6-3 | Command and Data Field Definitions | 45 |
| 6-4 | Features and Modes | 46 |
| 6-5 | Supported Demux, Data Rate Modes | 50 |
| 6-6 | Test Pattern by Output Port in Demux Mode..... | 51 |
| 6-7 | Test Pattern by Output Port in Non-Demux Mode..... | 51 |
| 6-8 | Calibration Pins | 52 |
| 6-9 | Unused Analog Input Recommended Termination | 56 |
| 6-10 | Unused AutoSync and DCLK Reset Pin Recommendation | 60 |
| 6-11 | Temperature Sensor Recommendation | 67 |
| 6-12 | Amplifier Recommendation | 68 |
| 6-13 | Balun Recommendations..... | 68 |
| 6-14 | Register Addresses | 69 |
| 6-15 | Configuration Register 1..... | 69 |
| 6-16 | Reserved | 70 |
| 6-17 | I-channel Offset Adjust | 70 |
| 6-18 | I-channel Full Scale Range Adjust..... | 71 |
| 6-19 | Calibration Adjust..... | 71 |
| 6-20 | Calibration Values | 71 |
| 6-21 | Bias Adjust | 72 |
| 6-22 | DES Timing Adjust..... | 72 |
| 6-23 | Reserved | 72 |
| 6-24 | Reserved | 72 |
| 6-25 | Q-channel Offset Adjust | 72 |
| 6-26 | Q-channel Full-Scale Range Adjust | 73 |
| 6-27 | Aperture Delay Coarse Adjust | 73 |
| 6-28 | Aperture Delay Fine Adjust | 73 |
| 6-29 | AutoSync | 74 |
| 6-30 | Reserved | 74 |

ADC12D1800RF 12-Bit, Single 3.6 GSPS RF Sampling ADC

Check for Samples: [ADC12D1800RF](#)

1 Introduction

1.1 Features

- Excellent Noise and Linearity up to and Above $f_{IN} = 2.7$ GHz
- Configurable to Either 3.6 GSPS Interleaved or 1800 MSPS Dual ADC
- New DESCLKIQ Mode for High Bandwidth, High Sampling Rate Apps
- Pin-Compatible with ADC1xD1x00, ADC12Dx00RF
- AutoSync Feature for Multi-Chip Synchronization
- Internally Terminated, Buffered, Differential Analog Inputs
- Interleaved Timing Automatic and Manual Skew Adjust
- Test Patterns at Output for System Debug
- Time Stamp Feature to Capture External Trigger
- Programmable Gain, Offset, and t_{AD} Adjust Feature
- 1:1 Non-demuxed or 1:2 Demuxed LVDS Outputs
- Key Specifications
 - Resolution: 12 Bits
 - Interleaved 3.6 GSPS ADC
 - IMD3 ($F_{in} = 2.7\text{GHz}$ @ -13dBFS) -62 dBc (typ)
 - IMD3 ($F_{in} = 2.7\text{GHz}$ @ -16dBFS) -64 dBc (typ)
 - Noise Floor Density -155.0 dBm/Hz (typ)
 - Power 4.29 W (typ)
 - Dual 1800 MSPS ADC, $F_{in} = 498$ MHz
 - ENOB 9.3 Bits (typ)
 - SNR 58.1 dB (typ)
 - SFDR 71.7 dBc (typ)
 - Power per Channel 2.15 W (typ)

1.2 Applications

- 3G/4G Wireless Basestation
 - Receive Path
 - DPD Path
- Wideband Microwave Backhaul
- RF Sampling Software Defined Radio
- Military Communications
- SIGINT
- RADAR / LIDAR
- Wideband Communications
- Consumer RF
- Test and Measurement

1.3 Description

The 12-bit 1.8 GSPS ADC12D1800RF is an RF-sampling GSPS ADC that can directly sample input frequencies up to and above 2.7 GHz. The ADC12D1800RF augments the very large Nyquist zone of TI's GSPS ADCs with excellent noise and linearity performance at RF frequencies, extending its usable range beyond the 3rd Nyquist zone.

The ADC12D1800RF provides a flexible LVDS interface which has multiple SPI programmable options to facilitate board design and FPGA/ASIC data capture. The LVDS outputs are compatible with IEEE 1596.3-1996 and supports programmable common mode voltage. The product is packaged in a lead-free 292-ball thermally enhanced BGA package over the rated industrial temperature range of -40°C to +85°C.

To achieve the full rated performance for $F_{clk} > 1.6$ GHz, it is necessary to write the max power settings once to Register 6h via the Serial Interface; see [Register Definitions](#) for more information.

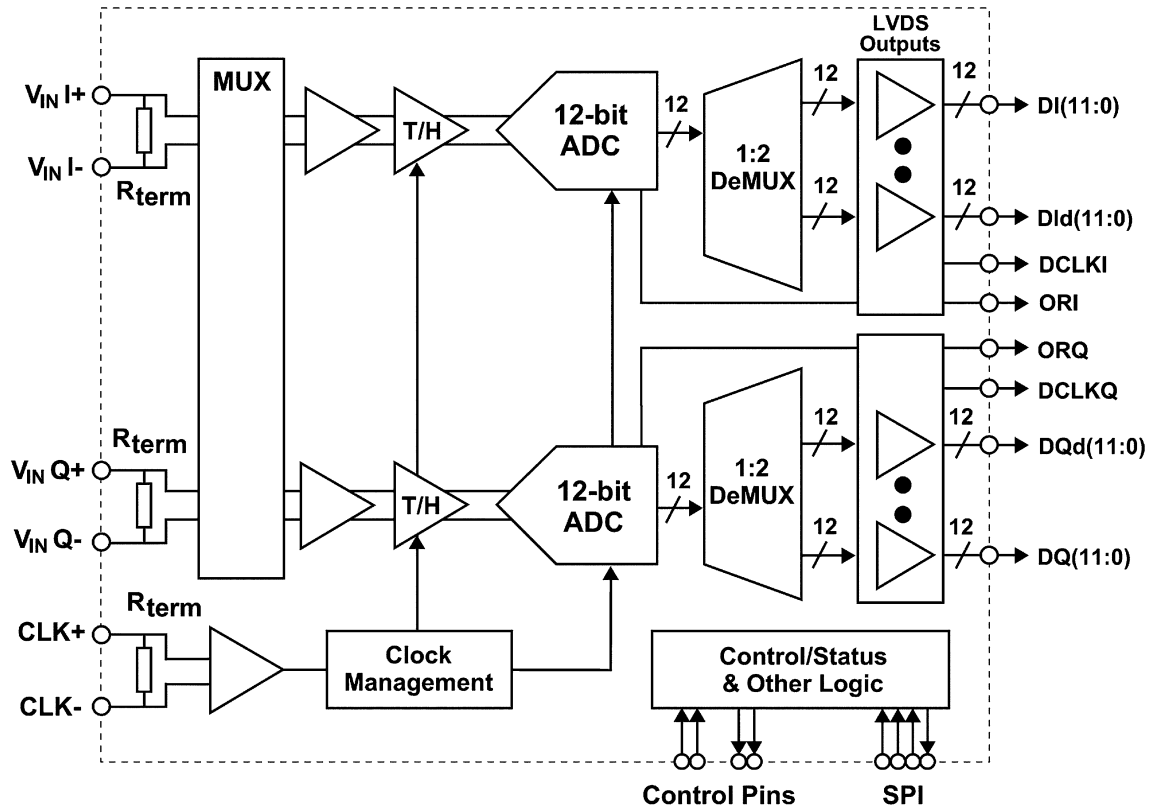


Please be aware that an important notice concerning availability, standard warranty, and use in critical applications of Texas Instruments semiconductor products and disclaimers thereto appears at the end of this data sheet.

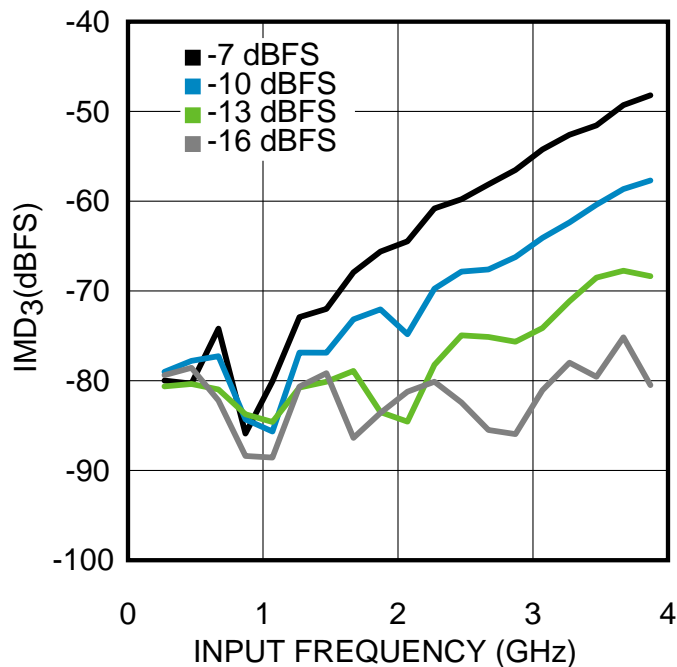
All trademarks are the property of their respective owners.

2 Device Information

2.1 Block Diagram



2.2 RF Performance



CW Blocker: $f_{in} = 2675$ MHz; Total Power = -13 dBFS
 WCDMA Blocker: $f_c = 2685$ MHz; Bandwidth = 3.84 MHz; Total Power = -13 dBFS
 IMD_3 Product Power = -75 dBFS

Figure 2-1. ADC12D1800RF Non-DES Mode IMD_3

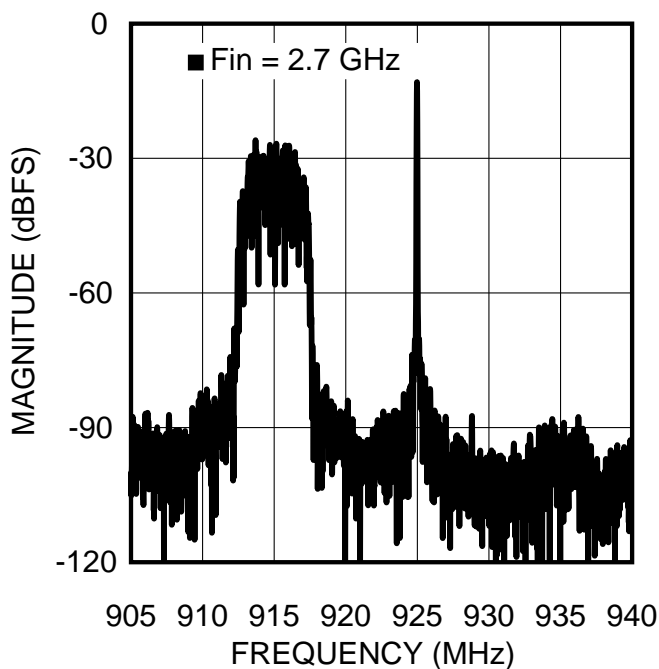


Figure 2-2. ADC12D1800RF DES Mode FFT

2.3 Connection Diagram

| | 1 | 2 | 3 | 4 | 5 | 6 | 7 | 8 | 9 | 10 | 11 | 12 | 13 | 14 | 15 | 16 | 17 | 18 | 19 | 20 | |
|---|-----------|-----------|---------|--------|---------|---------|---------|-------|-------|-------|-------|-------|--------|-------|-------|--------|--------|--------|--------|--------|---|
| A | GND | V_A | SDO | TPM | NDM | V_A | GND | V_E | GND_E | Did0+ | V_DR | Did3+ | GND_DR | Did6+ | V_DR | Did9+ | GND_DR | Did11+ | Did11- | GND_DR | A |
| B | Vbg | GND | ECEb | SDI | CalRun | V_A | GND | GND_E | V_E | Did0- | Did2+ | Did3- | Did5+ | Did6- | Did8+ | Did9- | Did10+ | DI0+ | DI1+ | DI1- | B |
| C | Rtrim+ | Vcmo | Rext+ | SCSb | SCLK | V_A | NC | V_E | GND_E | Did1+ | Did2- | Did4+ | Did5- | Did7+ | Did8- | Did10- | DI0- | V_DR | DI2+ | DI2- | C |
| D | DNC | Rtrim- | Rext- | GND | GND | CAL | DNC | V_A | V_A | Did1- | V_DR | Did4- | GND_DR | Did7- | V_DR | GND_DR | V_DR | DI3+ | DI4+ | DI4- | D |
| E | V_A | Tdiode+ | DNC | GND | | | | | | | | | | | | | GND_DR | DI3- | DI5+ | DI5- | E |
| F | V_A | GND_TC | Tdiode- | DNC | | | | | | | | | | | | | GND_DR | DI6+ | DI6- | GND_DR | F |
| G | V_TC | GND_TC | V_TC | V_TC | | | | | | | | | | | | | DI7+ | DI7- | DI8+ | DI8- | G |
| H | Vin+ | V_TC | GND_TC | V_A | | | | | | | | | | | | | DI9+ | DI9- | DI10+ | DI10- | H |
| J | Vin- | GND_TC | V_TC | VbiasI | | | | | | | | | | | | | V_DR | DI11+ | DI11- | V_DR | J |
| K | GND | VbiasI | V_TC | GND_TC | | | | | | | | | | | | | ORI+ | ORI- | DCLKI+ | DCLKI- | K |
| L | GND | VbiasQ | V_TC | GND_TC | | | | | | | | | | | | | ORQ+ | ORQ- | DCLKQ+ | DCLKQ- | L |
| M | VinQ- | GND_TC | V_TC | VbiasQ | | | | | | | | | | | | | GND_DR | DQ11+ | DQ11- | GND_DR | M |
| N | VinQ+ | V_TC | GND_TC | V_A | | | | | | | | | | | | | DQ9+ | DQ9- | DQ10+ | DQ10- | N |
| P | V_TC | GND_TC | V_TC | V_TC | | | | | | | | | | | | | DQ7+ | DQ7- | DQ8+ | DQ8- | P |
| R | V_A | GND_TC | V_TC | V_TC | | | | | | | | | | | | | V_DR | DQ6+ | DQ6- | V_DR | R |
| T | V_A | GND_TC | GND_TC | GND | | | | | | | | | | | | | V_DR | DQ3- | DQ5+ | DQ5- | T |
| U | GND_TC | CLK+ | PDI | GND | GND | RCOut1- | DNC | V_A | V_A | DQd1- | V_DR | DQd4- | GND_DR | DQd7- | V_DR | V_DR | GND_DR | DQ3+ | DQ4+ | DQ4- | U |
| V | CLK- | DCLK_RST+ | PDQ | CalDly | DES | RCOut2+ | RCOut2- | V_E | GND_E | DQd1+ | DQd2- | DQd4+ | DQd5- | DQd7+ | DQd8- | DQd10- | DQ0- | GND_DR | DQ2+ | DQ2- | V |
| W | DCLK_RST- | GND | DNC | DDRPh | RCLK- | V_A | GND | GND_E | V_E | DQd0- | DQd2+ | DQd3- | DQd5+ | DQd6- | DQd8+ | DQd9- | DQd10+ | DQ0+ | DQ1+ | DQ1- | W |
| Y | GND | V_A | FSR | RCLK+ | RCOut1+ | V_A | GND | V_E | GND_E | DQd0+ | V_DR | DQd3+ | GND_DR | DQd6+ | V_DR | DQd9+ | GND_DR | DQd11+ | DQd11- | GND_DR | Y |

Figure 2-3. ADC12D1800RF Connection Diagram

The center ground pins are for thermal dissipation and must be soldered to a ground plane to ensure rated performance. See [SUPPLY / GROUNDING, LAYOUT AND THERMAL RECOMMENDATIONS](#) for more information.

2.4 Ball Descriptions and Equivalent Circuits

Table 2-1. Analog Front-End and Clock Balls

| Ball No. | Name | Equivalent Circuit | Description |
|----------------|--------------------|--------------------|---|
| H1/J1 N1/M1 | VinI+/- VinQ+/- | | <p>Differential signal I- and Q-inputs. In the Non-Dual Edge Sampling (Non-DES) Mode, each I- and Q-input is sampled and converted by its respective channel with each positive transition of the CLK input. In Non-ECM (Non-Extended Control Mode) and DES Mode, both channels sample the I-input. In Extended Control Mode (ECM), the Q-input may optionally be selected for conversion in DES Mode by the DEQ Bit (Addr: 0h, Bit 6).</p> <p>Each I- and Q-channel input has an internal common mode bias that is disabled when DC-coupled Mode is selected. Both inputs must be either AC- or DC-coupled. The coupling mode is selected by the V_{CMO} Pin.</p> <p>In Non-ECM, the full-scale range of these inputs is determined by the FSR Pin; both I- and Q-channels have the same full-scale input range. In ECM, the full-scale input range of the I- and Q-channel inputs may be independently set via the Control Register (Addr: 3h and Addr: Bh).</p> <p>The input offset may also be adjusted in ECM.</p> |
| U2/V1 | CLK+/- | | <p>Differential Converter Sampling Clock. In the Non-DES Mode, the analog inputs are sampled on the positive transitions of this clock signal. In the DES Mode, the selected input is sampled on both transitions of this clock. This clock must be AC-coupled.</p> |
| V2/W1 | DCLK_RST+/- | | <p>Differential DCLK Reset. A positive pulse on this input is used to reset the DCLKI and DCLKQ outputs of two or more ADC12D1800RFs in order to synchronize them with other ADC12D1800RFs in the system. DCLKI and DCLKQ are always in phase with each other, unless one channel is powered down, and do not require a pulse from DCLK_RST to become synchronized. The pulse applied here must meet timing relationships with respect to the CLK input. Although supported, this feature has been superseded by AutoSync.</p> |

Table 2-1. Analog Front-End and Clock Balls (continued)

| Ball No. | Name | Equivalent Circuit | Description |
|----------|-----------------------|--------------------|--|
| C2 | V _{CMO} | | <p>Common Mode Voltage Output or Signal Coupling Select. If AC-coupled operation at the analog inputs is desired, this pin should be held at logic-low level. This pin is capable of sourcing/ sinking up to 100 μA. For DC-coupled operation, this pin should be left floating or terminated into high-impedance. In DC-coupled Mode, this pin provides an output voltage which is the optimal common-mode voltage for the input signal and should be used to set the common-mode voltage of the driving buffer.</p> |
| B1 | V _{BG} | | <p>Bandgap Voltage Output or LVDS Common-mode Voltage Select. This pin provides a buffered version of the bandgap output voltage and is capable of sourcing / sinking 100 μA and driving a load of up to 80 pF. Alternately, this pin may be used to select the LVDS digital output common-mode voltage. If tied to logic-high, the 1.2V LVDS common-mode voltage is selected; 0.8V is the default.</p> |
| C3/D3 | R _{ext+/-} | | <p>External Reference Resistor terminals. A 3.3 kΩ \pm0.1% resistor should be connected between R_{ext+/-}. The R_{ext} resistor is used as a reference to trim internal circuits which affect the linearity of the converter; the value and precision of this resistor should not be compromised.</p> |
| C1/D2 | R _{trim+/-} | | <p>Input Termination Trim Resistor terminals. A 3.3 kΩ \pm0.1% resistor should be connected between R_{trim+/-}. The R_{trim} resistor is used to establish the calibrated 100Ω input impedance of VinI, VinQ and CLK. These impedances may be fine tuned by varying the value of the resistor by a corresponding percentage; however, the tuning range and performance is not ensured for such an alternate value.</p> |
| E2/F3 | T _{diode+/-} | | <p>Temperature Sensor Diode Positive (Anode) and Negative (Cathode) Terminals. This set of pins is used for die temperature measurements. It has not been fully characterized.</p> |

Table 2-1. Analog Front-End and Clock Balls (continued)

| Ball No. | Name | Equivalent Circuit | Description |
|----------------|------------------------|--------------------|---|
| Y4/W5 | RCLK+/- | | Reference Clock Input. When the AutoSync feature is active, and the ADC12D1800RF is in Slave Mode, the internal divided clocks are synchronized with respect to this input clock. The delay on this clock may be adjusted when synchronizing multiple ADCs. This feature is available in ECM via Control Register (Addr: Eh). |
| Y5/U6 V6/V7 | RCOut1+/- RCOut2+/- | | Reference Clock Output 1 and 2. These signals provide a reference clock at a rate of CLK/4, when enabled, independently of whether the ADC is in Master or Slave Mode. They are used to drive the RCLK of another ADC12D1800RF, to enable automatic synchronization for multiple ADCs (AutoSync feature). The impedance of each trace from RCOut1 and RCOut2 to the RCLK of another ADC12D1800RF should be 100Ω differential. Having two clock outputs allows the auto-synchronization to propagate as a binary tree. Use the DOC Bit (Addr: Eh, Bit 1) to enable/ disable this feature; default is disabled. |

Table 2-2. Control and Status Balls

| Ball No. | Name | Equivalent Circuit | Description |
|----------|--------|--------------------|--|
| V5 | DES | | Dual Edge Sampling (DES) Mode select. In the Non-Extended Control Mode (Non-ECM), when this input is set to logic-high, the DES Mode of operation is selected, meaning that the VinI input is sampled by both channels in a time-interleaved manner. The VinQ input is ignored. When this input is set to logic-low, the device is in Non-DES Mode, i.e. the I- and Q-channels operate independently. In the Extended Control Mode (ECM), this input is ignored and DES Mode selection is controlled through the Control Register by the DES Bit (Addr: 0h, Bit 7); default is Non-DES Mode operation. |
| V4 | CalDly | | Calibration Delay select. By setting this input logic-high or logic-low, the user can select the device to wait a longer or shorter amount of time, respectively, before the automatic power-on self-calibration is initiated. This feature is pin-controlled only and is always active during ECM and Non-ECM. |

Table 2-2. Control and Status Balls (continued)

| Ball No. | Name | Equivalent Circuit | Description |
|----------|------------|--------------------|---|
| D6 | CAL | | Calibration cycle initiate. The user can command the device to execute a self-calibration cycle by holding this input high a minimum of t_{CAL_H} after having held it low a minimum of t_{CAL_L} . If this input is held high at the time of power-on, the automatic power-on calibration cycle is inhibited until this input is cycled low-then-high. This pin is active in both ECM and Non-ECM. In ECM, this pin is logically OR'd with the CAL Bit (Addr: 0h, Bit 15) in the Control Register. Therefore, both pin and bit must be set low and then either can be set high to execute an on-command calibration. |
| B5 | CalRun | | Calibration Running indication. This output is logic-high while the calibration sequence is executing. This output is logic-low otherwise. |
| U3 V3 | PDI PDQ | | Power Down I- and Q-channel. Setting either input to logic-high powers down the respective I- or Q-channel. Setting either input to logic-low brings the respective I- or Q-channel to an operational state after a finite time delay. This pin is active in both ECM and Non-ECM. In ECM, each Pin is logically OR'd with its respective Bit. Therefore, either this pin or the PDI and PDQ Bit in the Control Register can be used to power-down the I- and Q-channel (Addr: 0h, Bit 11 and Bit 10), respectively. |
| A4 | TPM | | Test Pattern Mode select. With this input at logic-high, the device continuously outputs a fixed, repetitive test pattern at the digital outputs. In the ECM, this input is ignored and the Test Pattern Mode can only be activated through the Control Register by the TPM Bit (Addr: 0h, Bit 12). |
| A5 | NDM | | Non-Demuxed Mode select. Setting this input to logic-high causes the digital output bus to be in the 1:1 Non-Demuxed Mode. Setting this input to logic-low causes the digital output bus to be in the 1:2 Demuxed Mode. This feature is pin-controlled only and remains active during ECM and Non-ECM. |

Table 2-2. Control and Status Balls (continued)

| Ball No. | Name | Equivalent Circuit | Description |
|----------|-------------------------|--------------------|---|
| Y3 | FSR | | Full-Scale input Range select. In Non-ECM, this input must be set to logic-high; the full-scale differential input range for both I- and Q-channel inputs is set by this pin. In the ECM, this input is ignored and the full-scale range of the I- and Q-channel inputs is independently determined by the setting of Addr: 3h and Addr: Bh, respectively. Note that the logic-high FSR value in Non-ECM corresponds to the minimum allowed selection in ECM. |
| W4 | DDRPh | | DDR Phase select. This input, when logic-low, selects the 0° Data-to-DCLK phase relationship. When logic-high, it selects the 90° Data-to-DCLK phase relationship, i.e. the DCLK transition indicates the middle of the valid data outputs. This pin only has an effect when the chip is in 1:2 Demuxed Mode, i.e. the NDM pin is set to logic-low. In ECM, this input is ignored and the DDR phase is selected through the Control Register by the DPS Bit (Addr: 0h, Bit 14); the default is 0° Mode. |
| B3 | $\overline{\text{ECE}}$ | | Extended Control Enable bar. Extended feature control through the SPI interface is enabled when this signal is asserted (logic-low). In this case, most of the direct control pins have no effect. When this signal is de-asserted (logic-high), the SPI interface is disabled, all SPI registers are reset to their default values, and all available settings are controlled via the control pins. |
| C4 | $\overline{\text{SCS}}$ | | Serial Chip Select bar. In ECM, when this signal is asserted (logic-low), SCLK is used to clock in serial data which is present on SDI and to source serial data on SDO. When this signal is de-asserted (logic-high), SDI is ignored and SDO is in TRI-STATE. |
| C5 | SCLK | | Serial Clock. In ECM, serial data is shifted into and out of the device synchronously to this clock signal. This clock may be disabled and held logic-low, as long as timing specifications are not violated when the clock is enabled or disabled. |

Table 2-2. Control and Status Balls (continued)

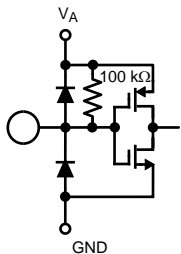
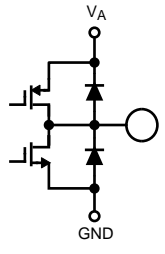
| Ball No. | Name | Equivalent Circuit | Description |
|------------------------|------|---|--|
| B4 | SDI |  | Serial Data-In. In ECM, serial data is shifted into the device on this pin while \overline{SCS} signal is asserted (logic-low). |
| A3 | SDO |  | Serial Data-Out. In ECM, serial data is shifted out of the device on this pin while \overline{SCS} signal is asserted (logic-low). This output is at TRI-STATE when \overline{SCS} is de-asserted. |
| D1, D7, E3, F4, W3, U7 | DNC | NONE | Do Not Connect. These pins are used for internal purposes and should not be connected, i.e. left floating. Do not ground. |
| C7 | NC | NONE | Not Connected. This pin is not bonded and may be left floating or connected to any potential. |

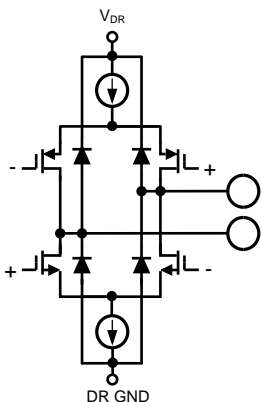
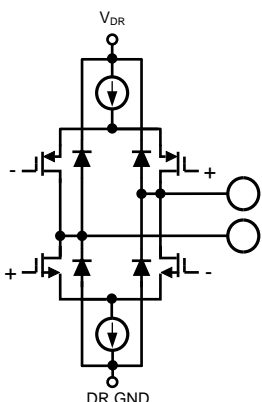
Table 2-3. Power and Ground Balls

| Ball No. | Name | Equivalent Circuit | Description |
|--|----------|--------------------|---|
| A2, A6, B6, C6, D8, D9, E1, F1, H4, N4, R1, T1, U8, U9, W6, Y2, Y6 | V_A | NONE | Power Supply for the Analog circuitry. This supply is tied to the ESD ring. Therefore, it must be powered up before or with any other supply. |
| G1, G3, G4, H2, J3, K3, L3, M3, N2, P1, P3, P4, R3, R4 | V_{TC} | NONE | Power Supply for the Track-and-Hold and Clock circuitry. |
| A11, A15, C18, D11, D15, D17, J17, J20, R17, R20, T17, U11, U15, U16, Y11, Y15 | V_{DR} | NONE | Power Supply for the Output Drivers. |
| A8, B9, C8, V8, W9, Y8 | V_E | NONE | Power Supply for the Digital Encoder. |
| J4, K2 | VbiasI | NONE | Bias Voltage I-channel. This is an externally decoupled bias voltage for the I-channel. Each pin should individually be decoupled with a 100 nF capacitor via a low resistance, low inductance path to GND. |
| L2, M4 | VbiasQ | NONE | Bias Voltage Q-channel. This is an externally decoupled bias voltage for the Q-channel. Each pin should individually be decoupled with a 100 nF capacitor via a low resistance, low inductance path to GND. |

Table 2-3. Power and Ground Balls (continued)

| Ball No. | Name | Equivalent Circuit | Description |
|--|-------------------|--------------------|---|
| A1, A7, B2, B7, D4, D5, E4, K1, L1, T4, U4, U5, W2, W7, Y1, Y7, H8:N13 | GND | NONE | Ground Return for the Analog circuitry. |
| F2, G2, H3, J2, K4, L4, M2, N3, P2, R2, T2, T3, U1 | GND _{TC} | NONE | Ground Return for the Track-and-Hold and Clock circuitry. |
| A13, A17, A20, D13, D16, E17, F17, F20, M17, M20, U13, U17, V18, Y13, Y17, Y20 | GND _{DR} | NONE | Ground Return for the Output Drivers. |
| A9, B8, C9, V9, W8, Y9 | GND _E | NONE | Ground Return for the Digital Encoder. |

Table 2-4. High-Speed Digital Outputs

| Ball No. | Name | Equivalent Circuit | Description |
|--------------------|----------------------|---|---|
| K19/K20 L19/L20 | DCLKI+/- DCLKQ+/- |  | <p>Data Clock Output for the I- and Q-channel data bus. These differential clock outputs are used to latch the output data and, if used, should always be terminated with a 100Ω differential resistor placed as closely as possible to the differential receiver. Delayed and non-delayed data outputs are supplied synchronously to this signal. In 1:2 Demux Mode or Non-Demux Mode, this signal is at ¼ or ½ the sampling clock rate, respectively. DCLKI and DCLKQ are always in phase with each other, unless one channel is powered down, and do not require a pulse from DCLK_RST to become synchronized.</p> |
| K17/K18 L17/L18 | ORI+/- ORQ+/- |  | <p>Out-of-Range Output for the I- and Q-channel. This differential output is asserted logic-high while the over- or under-range condition exists, i.e. the differential signal at each respective analog input exceeds the full-scale value. Each OR result refers to the current Data, with which it is clocked out. If used, each of these outputs should always be terminated with a 100Ω differential resistor placed as closely as possible to the differential receiver. ORQ ⁽¹⁾.</p> |

(1) This pin / bit functionality is not tested in production test; performance is tested in the specified / default mode only.

Table 2-4. High-Speed Digital Outputs (continued)

| Ball No. | Name | Equivalent Circuit | Description |
|---|---|--------------------|--|
| J18/J19 H19/H20 H17/H18 G19/G20 G17/G18 F18/F19 E19/E20 D19/D20 D18/E18 C19/C20 B19/B20 B18/C17 . M18/M19 N19/N20 N17/N18 P19/P20 P17/P18 R18/R19 T19/T20 U19/U20 U18/T18 V19/V20 W19/W20 W18/V17 | DI11+/- DI10+/- DI9+/- DI8+/- DI7+/- DI6+/- DI5+/- DI4+/- DI3+/- DI2+/- DI1+/- DI0+/- . DQ11+/- DQ10+/- DQ9+/- DQ8+/- DQ7+/- DQ6+/- DQ5+/- DQ4+/- DQ3+/- DQ2+/- DQ1+/- DQ0+/- | | <p>I- and Q-channel Digital Data Outputs. In Non-Demux Mode, this LVDS data is transmitted at the sampling clock rate. In Demux Mode, these outputs provide ½ the data at ½ the sampling clock rate, synchronized with the delayed data, i.e. the other ½ of the data which was sampled one clock cycle earlier. Compared with the DI and DQ outputs, these outputs represent the later time samples. If used, each of these outputs should always be terminated with a 100Ω differential resistor placed as closely as possible to the differential receiver.</p> |
| A18/A19 B17/C16 A16/B16 B15/C15 C14/D14 A14/B14 B13/C13 C12/D12 A12/B12 B11/C11 C10/D10 A10/B10 . Y18/Y19 W17/V16 Y16/W16 W15/V15 V14/U14 Y14/W14 W13/V13 V12/U12 Y12/W12 W11/V11 V10/U10 Y10/W10 | DId11+/- DId10+/- DId9+/- DId8+/- DId7+/- DId6+/- DId5+/- DId4+/- DId3+/- DId2+/- DId1+/- DId0+/- . DQd11+/- DQd10+/- DQd9+/- DQd8+/- DQd7+/- DQd6+/- DQd5+/- DQd4+/- DQd3+/- DQd2+/- DQd1+/- DQd0+/- | | <p>Delayed I- and Q-channel Digital Data Outputs. In Non-Demux Mode, these outputs are at TRI-STATE. In Demux Mode, these outputs provide ½ the data at ½ the sampling clock rate, synchronized with the non-delayed data, i.e. the other ½ of the data which was sampled one clock cycle later. Compared with the DI and DQ outputs, these outputs represent the earlier time samples. If used, each of these outputs should always be terminated with a 100Ω differential resistor placed as closely as possible to the differential receiver.</p> |



These devices have limited built-in ESD protection. The leads should be shorted together or the device placed in conductive foam during storage or handling to prevent electrostatic damage to the MOS gates.

3 Electrical Specifications

3.1 Absolute Maximum Ratings⁽¹⁾⁽²⁾

| | | |
|--|---|-------|
| Supply Voltage (V_A , V_{TC} , V_{DR} , V_E) | 2.2V | |
| Supply Difference $\max(V_{A/TC/DR/E}) - \min(V_{A/TC/DR/E})$ | 0V to 100 mV | |
| Voltage on Any Input Pin (except $V_{IN+/-}$) | -0.15V to ($V_A + 0.15V$) | |
| $V_{IN+/-}$ Voltage Range | -0.5V to 2.5V | |
| Ground Difference $\max(GND_{TC/DR/E}) - \min(GND_{TC/DR/E})$ | 0V to 100 mV | |
| Input Current at Any Pin ⁽³⁾ | ± 50 mA | |
| ADC12D1800RF Package Power Dissipation at $T_A \leq 65^\circ\text{C}$ ⁽³⁾ | 4.95 W | |
| ESD Susceptibility ⁽⁴⁾ | Human Body Model | 2500V |
| | Charged Device Model | 1000V |
| | Machine Model | 250V |
| Storage Temperature | -65°C to $+150^\circ\text{C}$ | |

- (1) Absolute Maximum Ratings indicate limits beyond which damage to the device may occur. There is no specification of operation at the Absolute Maximum Ratings. Operating Ratings indicate conditions for which the device is functional, but do not ensure specific performance limits. For ensured specifications and test conditions, see the Electrical Characteristics. The ensured specifications apply only for the test conditions listed. Some performance characteristics may degrade when the device is not operated under the listed test conditions.
- (2) All voltages are measured with respect to $GND = GND_{TC} = GND_{DR} = GND_E = 0V$, unless otherwise specified.
- (3) When the input voltage at any pin exceeds the power supply limits, i.e. less than GND or greater than V_A , the current at that pin should be limited to 50 mA. In addition, over-voltage at a pin must adhere to the maximum voltage limits. Simultaneous over-voltage at multiple pins requires adherence to the maximum package power dissipation limits. These dissipation limits are calculated using JEDEC JESD51-7 thermal model. Higher dissipation may be possible based on specific customer thermal situation and specified package thermal resistances from junction to case.
- (4) Human body model is 100 pF capacitor discharged through a 1.5 k Ω resistor. Machine model is 220 pF discharged through 0 Ω . Charged device model simulates a pin slowly acquiring charge (such as from a device sliding down the feeder in an automated assembler) then rapidly being discharged.

3.2 Operating Ratings⁽¹⁾⁽²⁾

| | |
|--|--|
| Ambient Temperature Range | |
| ADC12D1800RF (Standard JEDEC thermal model) | $-40^\circ\text{C} \leq T_A \leq +50^\circ\text{C}$ |
| ADC12D1800RF (Enhanced thermal model / heatsink) | $-40^\circ\text{C} \leq T_A \leq +85^\circ\text{C}$ |
| Junction Temperature Range - applies only to maximum operating speed | $T_J \leq +120^\circ\text{C}$ |
| Supply Voltage (V_A , V_{TC} , V_E) | +1.8V to +2.0V |
| Driver Supply Voltage (V_{DR}) | +1.8V to V_A |
| $V_{IN+/-}$ Voltage Range ⁽³⁾ | -0.4V to 2.4V (d.c.-coupled) |
| $V_{IN+/-}$ Differential Voltage Range ⁽⁴⁾ | 1.0V (d.c.-coupled @100% duty cycle) 2.0V (d.c.-coupled @20% duty cycle) 2.8V (d.c.-coupled @10% duty cycle) |
| $V_{IN+/-}$ Current Range ⁽³⁾ | ± 50 mA peak (a.c.-coupled) |

- (1) Absolute Maximum Ratings indicate limits beyond which damage to the device may occur. There is no specification of operation at the Absolute Maximum Ratings. Operating Ratings indicate conditions for which the device is functional, but do not ensure specific performance limits. For ensured specifications and test conditions, see the Electrical Characteristics. The ensured specifications apply only for the test conditions listed. Some performance characteristics may degrade when the device is not operated under the listed test conditions.
- (2) All voltages are measured with respect to $GND = GND_{TC} = GND_{DR} = GND_E = 0V$, unless otherwise specified.
- (3) Proper common mode voltage must be maintained to ensure proper output codes, especially during input overdrive.
- (4) This rating is intended for d.c.-coupled applications; the voltages listed may be safely applied to $V_{IN+/-}$ for the life-time duty-cycle of the part.

Operating Ratings⁽¹⁾⁽²⁾ (continued)

| | |
|--|--|
| $V_{IN+/-}$ Power | 15.3 dBm (maintaining common mode voltage, a.c.-coupled) 17.1 dBm (not maintaining common mode voltage, a.c.-coupled) |
| Ground Difference $\max(GND_{TC/DR/E}) - \min(GND_{TC/DR/E})$ | 0V |
| CLK+/- Voltage Range | 0V to V_A |
| Differential CLK Amplitude | $0.4V_{P-P}$ to $2.0V_{P-P}$ |
| Common Mode Input Voltage | $V_{CMO} - 150mV < V_{CMI} < V_{CMO} + 150mV$ |

3.3 Package Thermal Resistance⁽¹⁾

| Package | θ_{JA} | θ_{JC1} | θ_{JC2} |
|---|---------------|----------------|----------------|
| 292-Ball BGA Thermally Enhanced Package | 16°C/W | 2.9°C/W | 2.5°C/W |

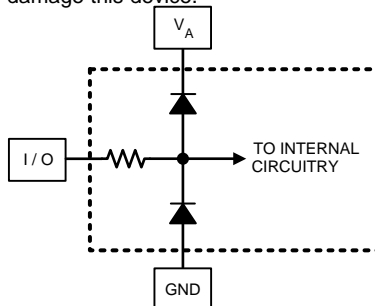
(1) Soldering process must comply with Reflow Temperature Profile specifications. Refer to www.ti.com/packaging.

3.4 Converter Electrical Characteristics
Static Converter Characteristics

Unless otherwise specified, the following apply after calibration for $V_A = V_{DR} = V_{TC} = V_E = +1.9V$; I- and Q-channels, AC-coupled, unused channel terminated to AC ground, FSR Pin = High; $C_L = 10$ pF; Differential, AC coupled Sine Wave Sampling Clock, $f_{CLK} = 1.8$ GHz at $0.5 V_{P-P}$ with 50% duty cycle (as specified); $V_{BG} =$ Floating; Extended Control Mode with Register 6h written to 1C0Eh; $R_{ext} = R_{trim} = 3300\Omega \pm 0.1\%$; Analog Signal Source Impedance = 100Ω Differential; 1:2 Demultiplex Non-DES Mode; Duty Cycle Stabilizer on. **Boldface limits apply for $T_A = T_{MIN}$ to T_{MAX} and for $T_J < 105^\circ C$.** All other limits $T_A = 25^\circ C$, unless otherwise noted. ⁽¹⁾⁽²⁾⁽³⁾

| Symbol | Parameter | Conditions | ADC12D1800RF | | Units (Limits) |
|----------------|---|--|--------------|----------------------------|----------------|
| | | | Typ | Lim | |
| | Resolution with No Missing Codes | | | 12 | bits |
| INL | Integral Non-Linearity (Best fit) | 1 MHz DC-coupled over-ranged sine wave | ± 2.5 | | LSB |
| DNL | Differential Non-Linearity | 1 MHz DC-coupled over-ranged sine wave | ± 0.4 | | LSB |
| V_{OFF} | Offset Error | | 5 | | LSB |
| V_{OFF_ADJ} | Input Offset Adjustment Range | Extended Control Mode | ± 45 | | mV |
| PFSE | Positive Full-Scale Error | See ⁽⁴⁾ | | ± 25 | mV (max) |
| NFSE | Negative Full-Scale Error | See ⁽⁴⁾ | | ± 25 | mV (max) |
| | Out-of-Range Output Code ⁽⁵⁾ | $(V_{IN+}) - (V_{IN-}) > +$ Full Scale | | 4095 | |
| | | $(V_{IN+}) - (V_{IN-}) < -$ Full Scale | | 0 | |

(1) The analog inputs, labeled "I/O", are protected as shown below. Input voltage magnitudes beyond the Absolute Maximum Ratings may damage this device.



- (2) To ensure accuracy, it is required that V_A , V_{TC} , V_E and V_{DR} be well-bypassed. Each supply pin must be decoupled with separate bypass capacitors.
- (3) Typical figures are at $T_A = 25^\circ C$, and represent most likely parametric norms. Test limits are specified to TI's AOQL (Average Outgoing Quality Level).
- (4) Calculation of Full-Scale Error for this device assumes that the actual reference voltage is exactly its nominal value. Full-Scale Error for this device, therefore, is a combination of Full-Scale Error and Reference Voltage Error. See Figure 4-2. For relationship between Gain Error and Full-Scale Error, see Specification Definitions for Gain Error.
- (5) This parameter is specified by design and is not tested in production.

3.5 Converter Electrical Characteristics Dynamic Converter Characteristics ⁽¹⁾

| Symbol | Parameter | Conditions | ADC12D1800RF | | Units (Limits) |
|------------------|--------------------------------------|---|-----------------|-----|-------------------|
| | | | Typ | Lim | |
| | Bandwidth | Non-DES Mode, DESCLKIQ Mode | | | |
| | | -3 dB ⁽²⁾ | 2.7 | | GHz |
| | | -6 dB | 3.1 | | GHz |
| | | -9 dB | 3.5 | | GHz |
| | | -12 dB | 4.0 | | GHz |
| | | DESI Mode, DESQ Mode | | | |
| | | -3 dB ⁽²⁾ | 1.2 | | GHz |
| | | -6 dB | 2.3 | | GHz |
| | | -9 dB | 2.7 | | GHz |
| | | -12 dB | 3.0 | | GHz |
| | | DESIQ Mode | | | |
| | | -3 dB ⁽²⁾ | 1.75 | | GHz |
| | | -6 dB | 2.7 | | GHz |
| | Gain Flatness | Non-DES Mode | | | |
| | | D.C. to Fs/2 | ±0.4 | | dB |
| | | D.C. to Fs | ±1.1 | | dB |
| | | D.C. to 3Fs/2 | ±1.7 | | dB |
| | | D.C. to 2Fs | ±5.7 | | dB |
| | | DESI, DESQ Mode | | | |
| | | D.C. to Fs/2 | ±2.7 | | dB |
| | | D.C. to Fs | ±9.2 | | dB |
| | | DESIQ Mode | | | |
| | | D.C. to Fs/2 | ±1.6 | | dB |
| | | DESCLKIQ Mode | | | |
| | | D.C. to Fs/2 | ±1.2 | | dB |
| | | CER | Code Error Rate | | 10 ⁻¹⁸ |
| IMD ₃ | 3rd order Intermodulation Distortion | DES Mode | | | |
| | | F _{IN} = 2670 MHz ± 2.5MHz @ -13 dBFS | -75 | | dBFS |
| | | | -62 | | dBc |
| | | F _{IN} = 2070 MHz ± 2.5MHz @ -13 dBFS | -85 | | dBFS |
| | | | -72 | | dBc |
| | | F _{IN} = 2670 MHz ± 2.5MHz @ -16 dBFS | -80 | | dBFS |
| | | | -64 | | dBc |
| | Noise Floor Density | 50Ω single-ended termination, DES Mode | -155.0 | | dBm/Hz |
| | | | -154.0 | | dBFS/Hz |

(1) This parameter is specified by design and/or characterization and is not tested in production.

(2) The -3 dB point is the traditional Full-Power Bandwidth (FPBW) specification. Although the insertion loss is approximately half the power at this frequency, the dynamic performance of the ADC does not necessarily begin to degrade to a level below which it may be effectively used in an application. The ADC may be used at input frequencies above the -3 dB FPBW point, for example, into the 3rd Nyquist zone. Depending on system requirements, it is only necessary to compensate for the insertion loss.

Converter Electrical Characteristics
Dynamic Converter Characteristics ⁽¹⁾ (continued)

| Symbol | Parameter | Conditions | ADC12D1800RF | | Units (Limits) |
|---|---------------------------------------|--|--------------|-------------|----------------|
| | | | Typ | Lim | |
| Non-DES Mode⁽¹⁾⁽²⁾⁽³⁾ | | | | | |
| ENOB | Effective Number of Bits | $A_{IN} = 125 \text{ MHz @ } -0.5 \text{ dBFS}$ | 9.3 | | bits |
| | | $A_{IN} = 248 \text{ MHz @ } -0.5 \text{ dBFS}$ | 9.3 | | bits |
| | | $A_{IN} = 498 \text{ MHz @ } -0.5 \text{ dBFS}$ | 9.3 | 8.4 | bits (min) |
| | | $A_{IN} = 1147 \text{ MHz @ } -0.5 \text{ dBFS}$ | 8.7 | | bits |
| | | $A_{IN} = 1448 \text{ MHz @ } -0.5 \text{ dBFS}$ | 8.7 | | bits |
| SINAD | Signal-to-Noise Plus Distortion Ratio | $A_{IN} = 125 \text{ MHz @ } -0.5 \text{ dBFS}$ | 57.7 | | dB |
| | | $A_{IN} = 248 \text{ MHz @ } -0.5 \text{ dBFS}$ | 57.7 | | dB |
| | | $A_{IN} = 498 \text{ MHz @ } -0.5 \text{ dBFS}$ | 57.7 | 52.1 | dB (min) |
| | | $A_{IN} = 1147 \text{ MHz @ } -0.5 \text{ dBFS}$ | 54.1 | | dB |
| | | $A_{IN} = 1448 \text{ MHz @ } -0.5 \text{ dBFS}$ | 54 | | dB |
| SNR | Signal-to-Noise Ratio | $A_{IN} = 125 \text{ MHz @ } -0.5 \text{ dBFS}$ | 58.6 | | dB |
| | | $A_{IN} = 248 \text{ MHz @ } -0.5 \text{ dBFS}$ | 58.2 | | dB |
| | | $A_{IN} = 498 \text{ MHz @ } -0.5 \text{ dBFS}$ | 58.1 | 52.9 | dB (min) |
| | | $A_{IN} = 1147 \text{ MHz @ } -0.5 \text{ dBFS}$ | 54.9 | | dB |
| | | $A_{IN} = 1448 \text{ MHz @ } -0.5 \text{ dBFS}$ | 54.3 | | dB |
| THD | Total Harmonic Distortion | $A_{IN} = 125 \text{ MHz @ } -0.5 \text{ dBFS}$ | -64.9 | | dB |
| | | $A_{IN} = 248 \text{ MHz @ } -0.5 \text{ dBFS}$ | -65.7 | | dB |
| | | $A_{IN} = 498 \text{ MHz @ } -0.5 \text{ dBFS}$ | -67 | -60 | dB (max) |
| | | $A_{IN} = 1147 \text{ MHz @ } -0.5 \text{ dBFS}$ | -61.5 | | dB |
| | | $A_{IN} = 1448 \text{ MHz @ } -0.5 \text{ dBFS}$ | -64.9 | | dB |
| 2nd Harm | Second Harmonic Distortion | $A_{IN} = 125 \text{ MHz @ } -0.5 \text{ dBFS}$ | -68.8 | | dBc |
| | | $A_{IN} = 248 \text{ MHz @ } -0.5 \text{ dBFS}$ | -85.6 | | dBc |
| | | $A_{IN} = 498 \text{ MHz @ } -0.5 \text{ dBFS}$ | -72.5 | | dBc |
| | | $A_{IN} = 1147 \text{ MHz @ } -0.5 \text{ dBFS}$ | -81.2 | | dBc |
| | | $A_{IN} = 1448 \text{ MHz @ } -0.5 \text{ dBFS}$ | -70.4 | | dBc |
| 3rd Harm | Third Harmonic Distortion | $A_{IN} = 125 \text{ MHz @ } -0.5 \text{ dBFS}$ | -70.4 | | dBc |
| | | $A_{IN} = 248 \text{ MHz @ } -0.5 \text{ dBFS}$ | -67.5 | | dBc |
| | | $A_{IN} = 498 \text{ MHz @ } -0.5 \text{ dBFS}$ | -69.8 | | dBc |
| | | $A_{IN} = 1147 \text{ MHz @ } -0.5 \text{ dBFS}$ | -70.4 | | dBc |
| | | $A_{IN} = 1448 \text{ MHz @ } -0.5 \text{ dBFS}$ | -73 | | dBc |
| SFDR | Spurious-Free Dynamic Range | $A_{IN} = 125 \text{ MHz @ } -0.5 \text{ dBFS}$ | 68.1 | | dBc |
| | | $A_{IN} = 248 \text{ MHz @ } -0.5 \text{ dBFS}$ | 67 | | dBc |
| | | $A_{IN} = 498 \text{ MHz @ } -0.5 \text{ dBFS}$ | 71.7 | 54 | dBc (min) |
| | | $A_{IN} = 1147 \text{ MHz @ } -0.5 \text{ dBFS}$ | 60 | | dBc |
| | | $A_{IN} = 1448 \text{ MHz @ } -0.5 \text{ dBFS}$ | 61 | | dBc |

- (1) The Dynamic Specifications are ensured for room to hot ambient temperature only (25°C to 85°C). Refer to the plots of the dynamic performance vs. temperature in [Typical Performance Plots](#) to see typical performance from cold to room temperature (-40°C to 25°C).
- (2) The $F_s/2$ spur was removed from all the dynamic performance specifications.
- (3) Typical dynamic performance is only tested at $F_{in} = 498 \text{ MHz}$; other input frequencies are specified by design and / or characterization and are not tested in production.

Converter Electrical Characteristics
Dynamic Converter Characteristics ⁽¹⁾ (continued)

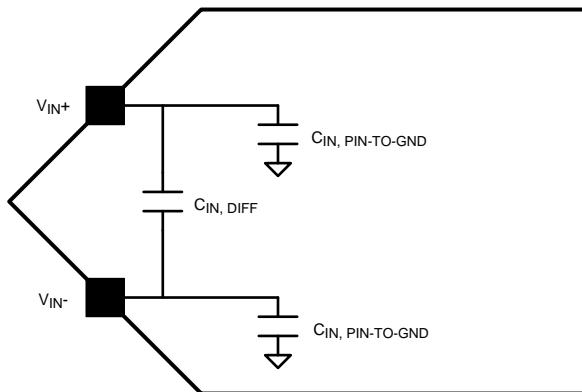
| Symbol | Parameter | Conditions | ADC12D1800RF | | Units (Limits) |
|---|---------------------------------------|--|--------------|-----|-------------------|
| | | | Typ | Lim | |
| DES Mode ⁽¹⁾⁽²⁾⁽³⁾⁽⁴⁾ | | | | | |
| ENOB | Effective Number of Bits | $A_{IN} = 125 \text{ MHz @ } -0.5 \text{ dBFS}$ | 9 | | bits |
| | | $A_{IN} = 248 \text{ MHz @ } -0.5 \text{ dBFS}$ | 9 | | bits |
| | | $A_{IN} = 498 \text{ MHz @ } -0.5 \text{ dBFS}$ | 9.1 | | bits |
| | | $A_{IN} = 1147 \text{ MHz @ } -0.5 \text{ dBFS}$ | 8.6 | | bits |
| | | $A_{IN} = 1448 \text{ MHz @ } -0.5 \text{ dBFS}$ | 8.6 | | bits |
| SINAD | Signal-to-Noise Plus Distortion Ratio | $A_{IN} = 125 \text{ MHz @ } -0.5 \text{ dBFS}$ | 56 | | dB |
| | | $A_{IN} = 248 \text{ MHz @ } -0.5 \text{ dBFS}$ | 56 | | dB |
| | | $A_{IN} = 498 \text{ MHz @ } -0.5 \text{ dBFS}$ | 56.5 | | dB |
| | | $A_{IN} = 1147 \text{ MHz @ } -0.5 \text{ dBFS}$ | 53.6 | | dB |
| | | $A_{IN} = 1448 \text{ MHz @ } -0.5 \text{ dBFS}$ | 53.6 | | dB |
| SNR | Signal-to-Noise Ratio | $A_{IN} = 125 \text{ MHz @ } -0.5 \text{ dBFS}$ | 57.2 | | dB |
| | | $A_{IN} = 248 \text{ MHz @ } -0.5 \text{ dBFS}$ | 57.3 | | dB |
| | | $A_{IN} = 498 \text{ MHz @ } -0.5 \text{ dBFS}$ | 57.3 | | dB |
| | | $A_{IN} = 1147 \text{ MHz @ } -0.5 \text{ dBFS}$ | 54.7 | | dB |
| | | $A_{IN} = 1448 \text{ MHz @ } -0.5 \text{ dBFS}$ | 54 | | dB |
| THD | Total Harmonic Distortion | $A_{IN} = 125 \text{ MHz @ } -0.5 \text{ dBFS}$ | -62.1 | | dB |
| | | $A_{IN} = 248 \text{ MHz @ } -0.5 \text{ dBFS}$ | -61.6 | | dB |
| | | $A_{IN} = 498 \text{ MHz @ } -0.5 \text{ dBFS}$ | -64 | | dB |
| | | $A_{IN} = 1147 \text{ MHz @ } -0.5 \text{ dBFS}$ | -59.7 | | dB |
| | | $A_{IN} = 1448 \text{ MHz @ } -0.5 \text{ dBFS}$ | -62.8 | | dB |
| 2nd Harm | Second Harmonic Distortion | $A_{IN} = 125 \text{ MHz @ } -0.5 \text{ dBFS}$ | -82 | | dBc |
| | | $A_{IN} = 248 \text{ MHz @ } -0.5 \text{ dBFS}$ | -78.5 | | dBc |
| | | $A_{IN} = 498 \text{ MHz @ } -0.5 \text{ dBFS}$ | -71.1 | | dBc |
| | | $A_{IN} = 1147 \text{ MHz @ } -0.5 \text{ dBFS}$ | -76.9 | | dBc |
| | | $A_{IN} = 1448 \text{ MHz @ } -0.5 \text{ dBFS}$ | -75.3 | | dBc |
| 3rd Harm | Third Harmonic Distortion | $A_{IN} = 125 \text{ MHz @ } -0.5 \text{ dBFS}$ | -64.7 | | dBc |
| | | $A_{IN} = 248 \text{ MHz @ } -0.5 \text{ dBFS}$ | -62.5 | | dBc |
| | | $A_{IN} = 498 \text{ MHz @ } -0.5 \text{ dBFS}$ | -71.4 | | dBc |
| | | $A_{IN} = 1147 \text{ MHz @ } -0.5 \text{ dBFS}$ | -60.4 | | dBc |
| | | $A_{IN} = 1448 \text{ MHz @ } -0.5 \text{ dBFS}$ | -65.8 | | dBc |
| SFDR | Spurious-Free Dynamic Range | $A_{IN} = 125 \text{ MHz @ } -0.5 \text{ dBFS}$ | 64.2 | | dBc |
| | | $A_{IN} = 248 \text{ MHz @ } -0.5 \text{ dBFS}$ | 62.4 | | dBc |
| | | $A_{IN} = 498 \text{ MHz @ } -0.5 \text{ dBFS}$ | 68.1 | | dBc |
| | | $A_{IN} = 1147 \text{ MHz @ } -0.5 \text{ dBFS}$ | 60.3 | | dBc |
| | | $A_{IN} = 1448 \text{ MHz @ } -0.5 \text{ dBFS}$ | 63.6 | | dBc |

- (1) The Dynamic Specifications are ensured for room to hot ambient temperature only (25°C to 85°C). Refer to the plots of the dynamic performance vs. temperature in [Typical Performance Plots](#) to see typical performance from cold to room temperature (-40°C to 25°C).
- (2) These measurements were taken in Extended Control Mode (ECM) with the DES Timing Adjust feature enabled (Addr: 7h). This feature is used to reduce the interleaving timing spur amplitude, which occurs at $f_s/2$ -fin, and thereby increase the SFDR, SINAD and ENOB.
- (3) The $f_s/2$ spur was removed from all the dynamic performance specifications.
- (4) Typical dynamic performance is only tested at $f_{in} = 498 \text{ MHz}$; other input frequencies are specified by design and / or characterization and are not tested in production.

3.6 Converter Electrical Characteristics Analog Input / Output and Reference Characteristics

| Symbol | Parameter | Conditions | ADC12D1800RF | | Units (Limits) |
|----------------------------|--|---|-------------------|-------------------|-------------------------|
| | | | Typ | Lim | |
| Analog Inputs | | | | | |
| V _{IN_FSR} | Analog Differential Input Full Scale Range | Non-Extended Control Mode | | | |
| | | FSR Pin High | 800 | 740 | mV _{P-P} (min) |
| | | | | 860 | mV _{P-P} (max) |
| | | Extended Control Mode | | | |
| FM(14:0) = 4000h (default) | 800 | | mV _{P-P} | | |
| | FM(14:0) = 7FFFh | 1000 | | mV _{P-P} | |
| C _{IN} | Analog Input Capacitance, Non-DES Mode ⁽¹⁾⁽²⁾ | Differential | 0.02 | | pF |
| | | Each input pin to ground | 1.6 | | pF |
| | Analog Input Capacitance, DES Mode ⁽¹⁾⁽²⁾ | Differential | 0.08 | | pF |
| | | Each input pin to ground | 2.2 | | pF |
| R _{IN} | Differential Input Resistance | | 100 | 91 | Ω (min) |
| | | | | 109 | Ω (max) |
| Common Mode Output | | | | | |
| V _{CMO} | Common Mode Output Voltage | I _{CMO} = ±100 μA | 1.25 | 1.15 | V (min) |
| | | | | 1.35 | V (max) |
| TC_V _{CMO} | Common Mode Output Voltage Temperature Coefficient | I _{CMO} = ±100 μA ⁽³⁾ | 38 | | ppm/°C |
| V _{CMO_LVL} | V _{CMO} input threshold to set DC-coupling Mode | See ⁽³⁾ | 0.63 | | V |
| C _{L_VCMO} | Maximum V _{CMO} Load Capacitance | See ⁽¹⁾ | | 80 | pF |
| Bandgap Reference | | | | | |
| V _{BG} | Bandgap Reference Output Voltage | I _{BG} = ±100 μA | 1.25 | 1.15 | V (min) |
| | | | | 1.35 | V (max) |
| TC_V _{BG} | Bandgap Reference Voltage Temperature Coefficient | I _{BG} = ±100 μA ⁽³⁾ | 32 | | ppm/°C |
| C _{L_VBG} | Maximum Bandgap Reference load Capacitance | See ⁽¹⁾ | | 80 | pF |

- (1) This parameter is specified by design and is not tested in production.
- (2) The differential and pin-to-ground input capacitances are lumped capacitance values from design; they are defined as shown below.



- (3) This parameter is specified by design and/or characterization and is not tested in production.

3.7 Converter Electrical Characteristics I-Channel to Q-Channel Characteristics

| Symbol | Parameter | Conditions | ADC12D1800RF | | Units (Limits) |
|--------|--|---|--------------|-----|----------------|
| | | | Typ | Lim | |
| | Offset Match | See ⁽¹⁾ | 2 | | LSB |
| | Positive Full-Scale Match | Zero offset selected in Control Register | 2 | | LSB |
| | Negative Full-Scale Match | Zero offset selected in Control Register | 2 | | LSB |
| | Phase Matching (I, Q) | $f_{IN} = 1.0 \text{ GHz}^{(1)}$ | < 1 | | Degree |
| X-TALK | Crosstalk from I-channel (Aggressor) to Q-channel (Victim) | Aggressor = 867 MHz F.S. Victim = 100 MHz F.S. | -70 | | dB |
| | Crosstalk from Q-channel (Aggressor) to I-channel (Victim) | Aggressor = 867 MHz F.S. Victim = 100 MHz F.S. | -70 | | dB |

(1) This parameter is specified by design and/or characterization and is not tested in production.

3.8 Converter Electrical Characteristics Sampling Clock Characteristics

| Symbol | Parameter | Conditions | ADC12D1800RF | | Units (Limits) |
|---------------|--|--|--------------|-----|-----------------|
| | | | Typ | Lim | |
| V_{IN_CLK} | Differential Sampling Clock Input Level ⁽¹⁾ | Sine Wave Clock Differential Peak-to-Peak | 0.6 | 0.4 | V_{P-P} (min) |
| | | | | 2.0 | V_{P-P} (max) |
| | | Square Wave Clock Differential Peak-to-Peak | 0.6 | 0.4 | V_{P-P} (min) |
| | | | | 2.0 | V_{P-P} (max) |
| C_{IN_CLK} | Sampling Clock Input Capacitance ⁽²⁾ | Differential | 0.1 | | pF |
| | | Each input to ground | 1 | | pF |
| R_{IN_CLK} | Sampling Clock Differential Input Resistance | See ⁽¹⁾ | 100 | | Ω |

(1) This parameter is specified by design and/or characterization and is not tested in production.

(2) This parameter is specified by design and is not tested in production.

3.9 Converter Electrical Characteristics AutoSync Feature Characteristics

| Symbol | Parameter | Conditions | ADC12D1800RF | | Units (Limits) |
|----------------|--|---------------------------|--------------|-----|----------------|
| | | | Typ | Lim | |
| V_{IN_RCLK} | Differential RCLK Input Level ⁽¹⁾ | Differential Peak-to-Peak | 360 | | mV_{P-P} |
| C_{IN_RCLK} | RCLK Input Capacitance ⁽¹⁾ | Differential | 0.1 | | pF |
| | | Each input to ground | 1 | | pF |
| R_{IN_RCLK} | RCLK Differential Input Resistance | See ⁽¹⁾ | 100 | | Ω |
| I_{IH_RCLK} | Input Leakage Current; $V_{IN} = V_A$ | | 22 | | μA |
| I_{IL_RCLK} | Input Leakage Current; $V_{IN} = GND$ | | -33 | | μA |
| V_{O_RCOUT} | Differential RCOOut Output Voltage | | 360 | | mV |

(1) This parameter is specified by design and/or characterization and is not tested in production.

3.10 Converter Electrical Characteristics Digital Control and Output Pin Characteristics

| Symbol | Parameter | Conditions | ADC12D1800RF | | Units (Limits) |
|---|---|---|-------------------|------------------|----------------------------|
| | | | Typ | Lim | |
| Digital Control Pins (DES, CalDly, CAL, PDI, PDQ, TPM, NDM, FSR, DDRPh, \overline{ECE}, SCLK, SDI, \overline{SCS}) | | | | | |
| V_{IH} | Logic High Input Voltage | | | $0.7 \times V_A$ | V (min) |
| V_{IL} | Logic Low Input Voltage | | | $0.3 \times V_A$ | V (max) |
| I_{IH} | Input Leakage Current; $V_{IN} = V_A$ | | 0.02 | | μA |
| I_{IL} | Input Leakage Current; $V_{IN} = GND$ | FSR, CalDly, CAL, NDM, TPM, DDRPh, DES | -0.02 | | μA |
| | | \overline{SCS} , SCLK, SDI | -17 | | μA |
| | | PDI, PDQ, \overline{ECE} | -38 | | μA |
| C_{IN_DIG} | Digital Control Pin Input Capacitance ⁽¹⁾ | Measured from each control pin to GND | 1.5 | | pF |
| Digital Output Pins (Data, DCLKI, DCLKQ, ORI, ORQ) | | | | | |
| V_{OD} | LVDS Differential Output Voltage | $V_{BG} = \text{Floating}, OVS = \text{High}$ | 630 | 400 | mV _{P-P} (min) |
| | | | | 800 | mV _{P-P} (max) |
| | | $V_{BG} = \text{Floating}, OVS = \text{Low}$ | 460 | 230 | mV _{P-P} (min) |
| | | | | 630 | mV _{P-P} (max) |
| | | $V_{BG} = V_A, OVS = \text{High}$ | 670 | | mV _{P-P} |
| $V_{BG} = V_A, OVS = \text{Low}$ | 500 | | mV _{P-P} | | |
| ΔV_{O_DIFF} | Change in LVDS Output Swing Between Logic Levels | | ± 1 | | mV |
| V_{OS} | Output Offset Voltage ⁽²⁾ | $V_{BG} = \text{Floating}$ | 0.8 | | V |
| | | $V_{BG} = V_A$ | 1.2 | | V |
| ΔV_{OS} | Output Offset Voltage Change Between Logic Levels | See ⁽¹⁾ | ± 1 | | mV |
| I_{OS} | Output Short Circuit Current ⁽²⁾ | $V_{BG} = \text{Floating};$ D+ and D- connected to 0.8V | ± 4 | | mA |
| Z_O | Differential Output Impedance | See ⁽²⁾ | 100 | | Ω |
| V_{OH} | Logic High Output Level | CalRun, $I_{OH} = -100 \mu A$, ⁽²⁾ SDO, $I_{OH} = -400 \mu A$ ⁽²⁾ | 1.65 | | V |
| V_{OL} | Logic Low Output Level | CalRun, $I_{OL} = 100 \mu A$, ⁽²⁾ SDO, $I_{OL} = 400 \mu A$ ⁽²⁾ | 0.15 | | V |
| Differential DCLK Reset Pins (DCLK_RST) | | | | | |
| V_{CMI_DRST} | DCLK_RST Common Mode Input Voltage | See ⁽²⁾ | 1.25 | | V |
| V_{ID_DRST} | Differential DCLK_RST Input Voltage | See ⁽²⁾ | V_{IN_CLK} | | V _{P-P} |
| R_{IN_DRST} | Differential DCLK_RST Input Resistance | See ⁽²⁾ | 100 | | Ω |

(1) This parameter is specified by design and is not tested in production.

(2) This parameter is specified by design and/or characterization and is not tested in production.

3.11 Converter Electrical Characteristics Power Supply Characteristics

| Symbol | Parameter | Conditions | ADC12D1800RF | | Units (Limits) |
|--------------------|---|--|--------------|-------------|----------------|
| | | | Typ | Lim | |
| I _A | Analog Supply Current | PDI = PDQ = Low | 1360 | | mA |
| | | PDI = Low; PDQ = High | 745 | | mA |
| | | PDI = High; PDQ = Low | 745 | | mA |
| | | PDI = PDQ = High | 2.7 | | mA |
| I _{TC} | Track-and-Hold and Clock Supply Current | PDI = PDQ = Low | 515 | | mA |
| | | PDI = Low; PDQ = High | 305 | | mA |
| | | PDI = High; PDQ = Low | 305 | | mA |
| | | PDI = PDQ = High | 650 | | μA |
| I _{DR} | Output Driver Supply Current | PDI = PDQ = Low | 275 | | mA |
| | | PDI = Low; PDQ = High | 145 | | mA |
| | | PDI = High; PDQ = Low | 145 | | mA |
| | | PDI = PDQ = High | 6 | | μA |
| I _E | Digital Encoder Supply Current | PDI = PDQ = Low | 110 | | mA |
| | | PDI = Low; PDQ = High | 65 | | mA |
| | | PDI = High; PDQ = Low | 65 | | mA |
| | | PDI = PDQ = High | 34 | | μA |
| I _{TOTAL} | Total Supply Current | 1:2 Demux Mode PDI = PDQ = Low | 2260 | 2481 | mA (max) |
| | | Non-Demux Mode PDI = PDQ = Low | 2220 | | mA |
| P _C | Power Consumption | 1:2 Demux Mode | | | |
| | | PDI = PDQ = Low | 4.29 | 4.7 | W (max) |
| | | PDI = Low; PDQ = High | 2.39 | | W |
| | | PDI = High; PDQ = Low | 2.39 | | W |
| | | PDI = PDQ = High | 6.5 | | mW |
| | | Non-Demux Mode | | | |
| PDI = PDQ = Low | 4.22 | | W | | |

3.12 Converter Electrical Characteristics AC Electrical Characteristics

| Symbol | Parameter | Conditions | ADC12D1800RF | | Units (Limits) |
|-----------------------------|----------------------------------|---|--------------|------------|----------------|
| | | | Typ | Lim | |
| Sampling Clock (CLK) | | | | | |
| f _{CLK (max)} | Maximum Sampling Clock Frequency | | | 1.8 | GHz |
| f _{CLK (min)} | Minimum Sampling Clock Frequency | Non-DES Mode; LFS = 0b | | 300 | MHz |
| | | Non-DES Mode; LFS = 1b | | 150 | MHz |
| | | DES Mode | | 500 | MHz |
| | Sampling Clock Duty Cycle | f _{CLK(min)} ≤ f _{CLK} ≤ f _{CLK(max)} ⁽¹⁾ | 50 | 20 | % (min) |
| | | | | 80 | % (max) |
| t _{CL} | Sampling Clock Low Time | See ⁽²⁾ | 278 | 111 | ps (min) |
| t _{CH} | Sampling Clock High Time | See ⁽²⁾ | 278 | 111 | ps (min) |

(1) This parameter is specified by design and/or characterization and is not tested in production.

(2) This parameter is specified by design and is not tested in production.

Converter Electrical Characteristics
AC Electrical Characteristics (continued)

| Symbol | Parameter | Conditions | ADC12D1800RF | | Units (Limits) |
|----------------------------------|--|--|--------------|------|-----------------------------|
| | | | Typ | Lim | |
| Data Clock (DCLKI, DCLKQ) | | | | | |
| | DCLK Duty Cycle | See ⁽¹⁾ | 50 | 45 | % (min) |
| | | | | 55 | % (max) |
| t _{SR} | Setup Time DCLK_RST± | See ⁽²⁾ | 45 | | ps |
| t _{HR} | Hold Time DCLK_RST± | See ⁽²⁾ | 45 | | ps |
| t _{PWR} | Pulse Width DCLK_RST± | See ⁽¹⁾ | | 5 | Sampling Clock Cycles (min) |
| t _{SYNC_DLY} | DCLK Synchronization Delay | 90° Mode ⁽¹⁾ | | 4 | Sampling Clock Cycles |
| | | 0° Mode ⁽¹⁾ | | 5 | |
| t _{LHT} | Differential Low-to-High Transition Time | 10%-to-90%, C _L = 2.5 pF ⁽²⁾ | 200 | | ps |
| t _{HHT} | Differential High-to-Low Transition Time | 10%-to-90%, C _L = 2.5 pF ⁽²⁾ | 200 | | ps |
| t _{SU} | Data-to-DCLK Setup Time | 90° Mode ⁽¹⁾ | 430 | | ps |
| t _H | DCLK-to-Data Hold Time | 90° Mode ⁽¹⁾ | 430 | | ps |
| t _{OSK} | DCLK-to-Data Output Skew | 50% of DCLK transition to 50% of Data transition ⁽¹⁾ | ±50 | | ps |
| Data Input-to-Output | | | | | |
| t _{AD} | Aperture Delay ⁽²⁾ | Sampling CLK+ Rise to Acquisition of Data | 1.29 | | ns |
| t _{AJ} | Aperture Jitter | See ⁽²⁾ | 0.2 | | ps (rms) |
| t _{OD} | Sampling Clock-to-Data Output Delay (in addition to Latency) | 50% of Sampling Clock transition to 50% of Data transition ⁽²⁾ | 3.2 | | ns |
| t _{LAT} | Latency in 1:2 Demux Non-DES Mode ⁽¹⁾ | DI, DQ Outputs | | 34 | Sampling Clock Cycles |
| | | DId, DQd Outputs | | 35 | |
| | Latency in 1:4 Demux DES Mode ⁽¹⁾ | DI Outputs | | 34 | |
| | | DQ Outputs | | 34.5 | |
| | | DId Outputs | | 35 | |
| | Latency in Non-Demux Non-DES Mode ⁽¹⁾ | DI Outputs | | 34 | |
| | | DQ Outputs | | 34 | |
| | Latency in Non-Demux DES Mode ⁽¹⁾ | DI Outputs | | 34 | |
| DQ Outputs | | | 34.5 | | |
| t _{ORR} | Over Range Recovery Time | Differential V _{IN} step from ±1.2V to 0V to accurate conversion ⁽²⁾ | 1 | | Sampling Clock Cycle |
| t _{WU} | Wake-Up Time (PDI/PDQ low to Rated Accuracy Conversion) | Non-DES Mode ⁽¹⁾ | 500 | | ns |
| | | DES Mode ⁽¹⁾ | 1 | | µs |

(1) This parameter is specified by design and is not tested in production.
 (2) This parameter is specified by design and/or characterization and is not tested in production.

3.13 Converter Electrical Characteristics Serial Port Interface

| Symbol | Parameter | Conditions | ADC12D1800RF | | Units (Limits) |
|-------------------|--|--------------------|--------------|-----------|-------------------|
| | | | Typ | Lim | |
| f _{SCLK} | Serial Clock Frequency | See ⁽¹⁾ | 15 | | MHz |
| | Serial Clock Low Time | | | 30 | ns (min) |
| | Serial Clock High Time | | | 30 | ns (min) |
| t _{SSU} | Serial Data-to-Serial Clock Rising Setup Time | See ⁽²⁾ | 2.5 | | ns (min) |
| t _{SH} | Serial Data-to-Serial Clock Rising Hold Time | See ⁽¹⁾ | 1 | | ns (min) |
| t _{SCS} | $\overline{\text{SCS}}$ -to-Serial Clock Rising Setup Time | See ⁽²⁾ | 2.5 | | ns |
| t _{HCS} | $\overline{\text{SCS}}$ -to-Serial Clock Falling Hold Time | See ⁽²⁾ | 1.5 | | ns |
| t _{BSU} | Bus turn-around time | See ⁽²⁾ | 10 | | ns |

(1) This parameter is specified by design and is not tested in production.

(2) This parameter is specified by design and/or characterization and is not tested in production.

3.14 Converter Electrical Characteristics Calibration

| Symbol | Parameter | Conditions | ADC12D1800RF | | Units (Limits) |
|---------------------|---|--------------------|---------------------|-----------------------|--------------------------------------|
| | | | Typ | Lim | |
| t _{CAL} | Calibration Cycle Time | Non-ECM | 4.1·10 ⁷ | | Sampling Clock Cycles |
| | | ECM CSS = 0b | | | |
| | | ECM CSS = 1b | | | |
| t _{CAL_L} | CAL Pin Low Time | See ⁽¹⁾ | | 1280 | Sampling Clock Cycles (min) |
| t _{CAL_H} | CAL Pin High Time | See ⁽¹⁾ | | 1280 | |
| t _{CalDly} | Calibration delay determined by CalDly Pin ⁽¹⁾ | CalDly = Low | | 2²⁴ | Sampling Clock Cycles (max) |
| | | CalDly = High | | 2³⁰ | |

(1) This parameter is specified by design and is not tested in production.

4 Specification Definitions

APERTURE JITTER (t_{AJ}) is the variation in aperture delay from sample-to-sample. Aperture jitter can be effectively considered as noise at the input.

CODE ERROR RATE (CER) is the probability of error and is defined as the probable number of word errors on the ADC output per unit of time divided by the number of words seen in that amount of time. A CER of 10^{-18} corresponds to a statistical error in one word about every 31.7 years.

CLOCK DUTY CYCLE is the ratio of the time that the clock waveform is at a logic high to the total time of one clock period.

DIFFERENTIAL NON-LINEARITY (DNL) is the measure of the maximum deviation from the ideal step size of 1 LSB. It is measured at the relevant sample rate, f_{CLK} , with $f_{IN} = 1$ MHz sine wave.

EFFECTIVE NUMBER OF BITS (ENOB, or EFFECTIVE BITS) is another method of specifying Signal-to-Noise and Distortion Ratio, or SINAD. ENOB is defined as $(SINAD - 1.76) / 6.02$ and states that the converter is equivalent to a perfect ADC of this many (ENOB) number of bits.

GAIN ERROR is the deviation from the ideal slope of the transfer function. It can be calculated from Offset and Full-Scale Errors. The Positive Gain Error is the Offset Error minus the Positive Full-Scale Error. The Negative Gain Error is the Negative Full-Scale Error minus the Offset Error. The Gain Error is the Negative Full-Scale Error minus the Positive Full-Scale Error; it is also equal to the Positive Gain Error plus the Negative Gain Error.

GAIN FLATNESS is the measure of the variation in gain over the specified bandwidth. For example, for the ADC12D1800RF, from D.C. to $F_s/2$ is to 900 MHz for the Non-DES Mode and from D.C. to $F_s/2$ is 1800 MHz for the DES Mode.

INTEGRAL NON-LINEARITY (INL) is a measure of worst case deviation of the ADC transfer function from an ideal straight line drawn through the ADC transfer function. The deviation of any given code from this straight line is measured from the center of that code value step. The best fit method is used.

INSERTION LOSS is the loss in power of a signal due to the insertion of a device, e.g. the ADC12D1800RF, expressed in dB.

INTERMODULATION DISTORTION (IMD) is a measure of the near-in 3rd order distortion products ($2f_2 - f_1$, $2f_1 - f_2$) which occur when two tones which are close in frequency (f_1 , f_2) are applied to the ADC input. It is measured from the input tones level to the higher of the two distortion products (dBc) or simply the level of the higher of the two distortion products (dBFS). The input tones are typically -7dBFS.

LSB (LEAST SIGNIFICANT BIT) is the bit that has the smallest value or weight of all bits. This value is

$$V_{FS} / 2^N \quad (1)$$

where V_{FS} is the differential full-scale amplitude V_{IN_FSR} as set by the FSR input and "N" is the ADC resolution in bits, which is 12 for the ADC12D1800RF.

LOW VOLTAGE DIFFERENTIAL SIGNALING (LVDS) DIFFERENTIAL OUTPUT VOLTAGE (V_{ID} and V_{OD}) is two times the absolute value of the difference between the V_{D+} and V_{D-} signals; each signal measured with respect to Ground. V_{OD} peak is $V_{OD,P} = (V_{D+} - V_{D-})$ and V_{OD} peak-to-peak is $V_{OD,P-P} = 2 \cdot (V_{D+} - V_{D-})$; for this product, the V_{OD} is measured peak-to-peak.

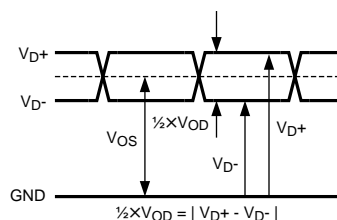


Figure 4-1. LVDS Output Signal Levels

LVDS OUTPUT OFFSET VOLTAGE (V_{OS}) is the midpoint between the D+ and D- pins output voltage with respect to ground; i.e., $[(V_{D+}) + (V_{D-})]/2$. See [Figure 4-1](#).

MISSING CODES are those output codes that are skipped and will never appear at the ADC outputs. These codes cannot be reached with any input value.

MSB (MOST SIGNIFICANT BIT) is the bit that has the largest value or weight. Its value is one half of full scale.

NEGATIVE FULL-SCALE ERROR (NFSE) is a measure of how far the first code transition is from the ideal 1/2 LSB above a differential $-V_{IN}/2$. For the ADC12D1800RF the reference voltage is assumed to be ideal, so this error is a combination of full-scale error and reference voltage error.

NOISE FLOOR DENSITY is a measure of the power density of the noise floor, expressed in dBFS/Hz and dBm/Hz. '0 dBFS' is defined as the power of a sinusoid which precisely uses the full-scale range of the ADC.

NOISE POWER RATIO (NPR) is the ratio of the sum of the power outside the notched bins to the sum of the power in an equal number of bins inside the notch, expressed in dB.

OFFSET ERROR (V_{OFF}) is a measure of how far the mid-scale point is from the ideal zero voltage differential input.

Offset Error = Actual Input causing average of 8k samples to result in an average code of 2047.5.

OUTPUT DELAY (t_{OD}) is the time delay (in addition to Latency) after the rising edge of CLK+ before the data update is present at the output pins.

OVER-RANGE RECOVERY TIME is the time required after the differential input voltages goes from $\pm 1.2V$ to 0V for the converter to recover and make a conversion with its rated accuracy.

PIPELINE DELAY (LATENCY) is the number of input clock cycles between initiation of conversion and when that data is presented to the output driver stage. The data lags the conversion by the Latency plus the t_{OD} .

POSITIVE FULL-SCALE ERROR (PFSE) is a measure of how far the last code transition is from the ideal 1-1/2 LSB below a differential $+V_{IN}/2$. For the ADC12D1800RF the reference voltage is assumed to be ideal, so this error is a combination of full-scale error and reference voltage error.

SIGNAL TO NOISE RATIO (SNR) is the ratio, expressed in dB, of the rms value of the fundamental for a single-tone to the rms value of the sum of all other spectral components below one-half the sampling frequency, not including harmonics or DC.

SIGNAL TO NOISE PLUS DISTORTION (S/(N+D) or SINAD) is the ratio, expressed in dB, of the rms value of the fundamental for a single-tone to the rms value of all of the other spectral components below half the input clock frequency, including harmonics but excluding DC.

SPURIOUS-FREE DYNAMIC RANGE (SFDR) is the difference, expressed in dB, between the rms values of the input signal at the output and the peak spurious signal, where a spurious signal is any signal present in the output spectrum that is not present at the input, excluding DC.

θ_{JA} is the thermal resistance between the junction to ambient.

θ_{JC1} represents the thermal resistance between the die and the exposed metal area on the top of the HSBGA package.

θ_{JC2} represents the thermal resistance between the die and the center group of balls on the bottom of the HSBGA package.

TOTAL HARMONIC DISTORTION (THD) is the ratio expressed in dB, of the rms total of the first nine harmonic levels at the output to the level of the fundamental at the output. THD is calculated as

$$THD = 20 \times \log \sqrt{\frac{A_{f2}^2 + \dots + A_{f10}^2}{A_{f1}^2}}$$

where

A_{f1} is the RMS power of the fundamental (output) frequency and A_{f2} through A_{f10} are the RMS power of the first 9 harmonic frequencies in the output spectrum. (2)

Second Harmonic Distortion (2nd Harm) is the difference, expressed in dB, between the RMS power in the input frequency seen at the output and the power in its 2nd harmonic level at the output.

Third Harmonic Distortion (3rd Harm) is the difference expressed in dB between the RMS power in the input frequency seen at the output and the power in its 3rd harmonic level at the output.

4.1 Transfer Characteristic

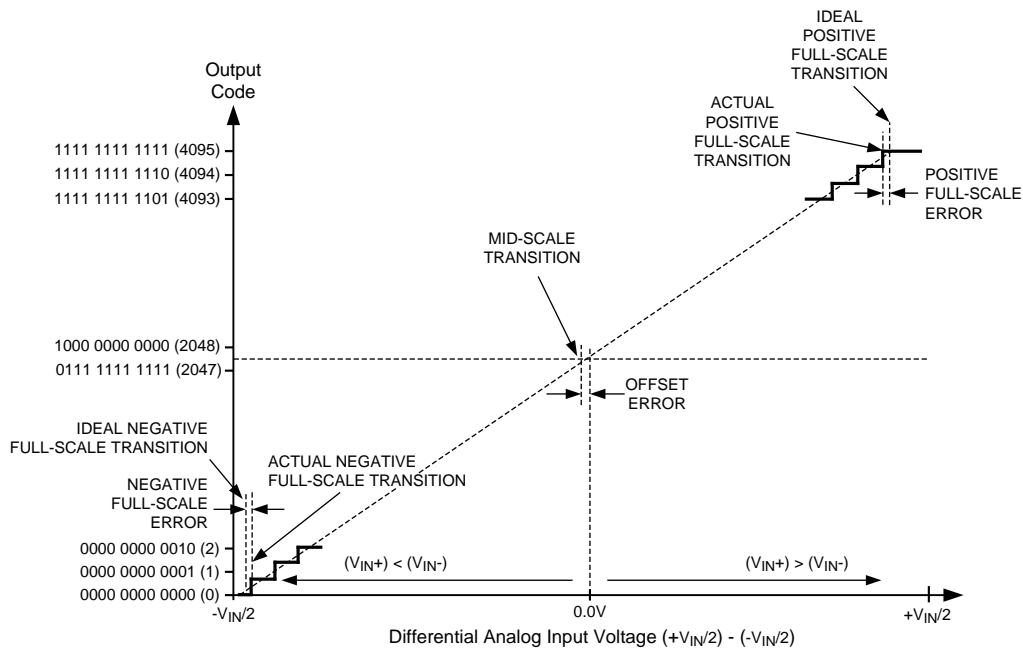


Figure 4-2. Input / Output Transfer Characteristic

4.2 Timing Diagrams

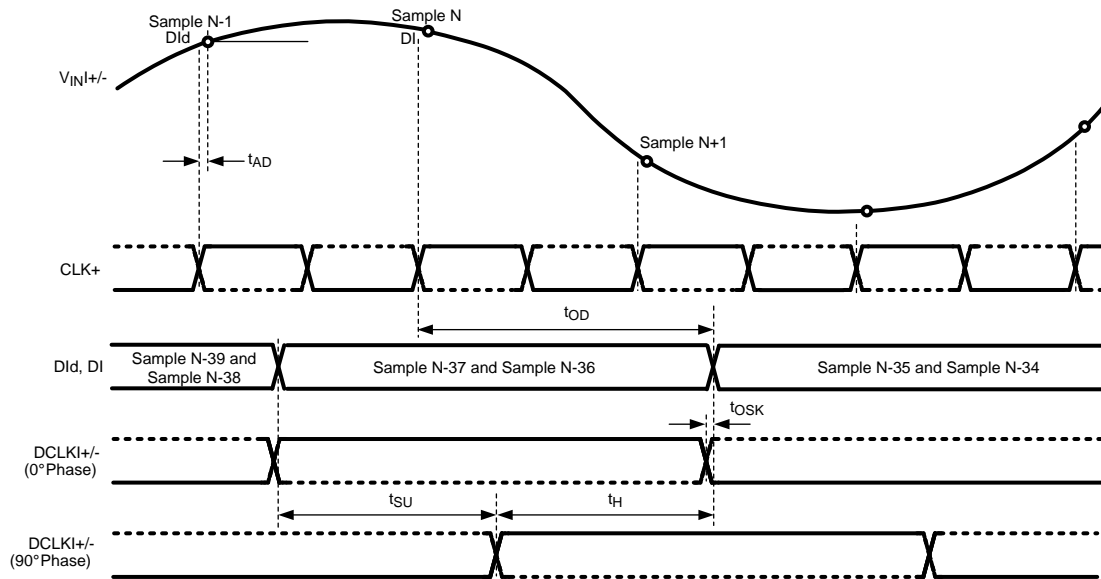


Figure 4-3. Clocking in 1:2 Demux Non-DES Mode*

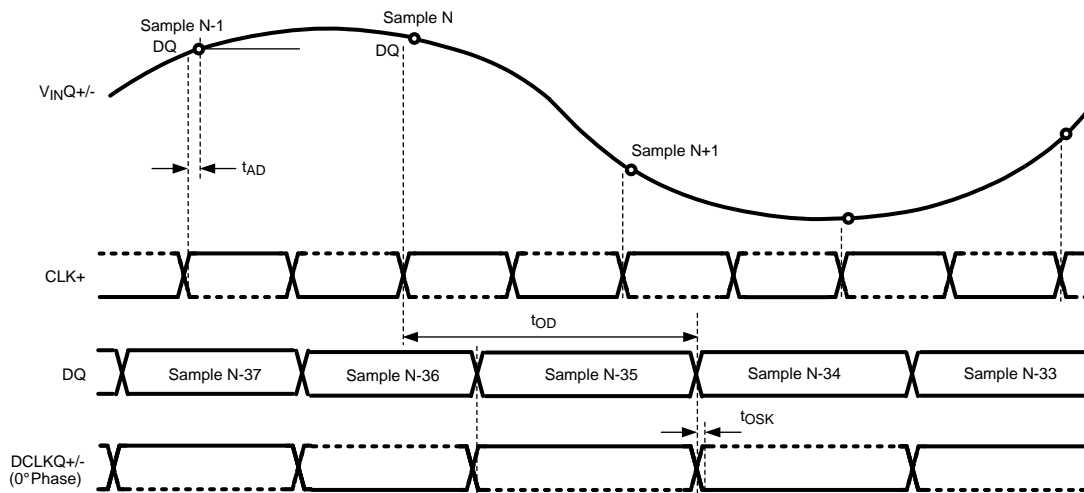


Figure 4-4. Clocking in Non-Demux Non-DES Mode*

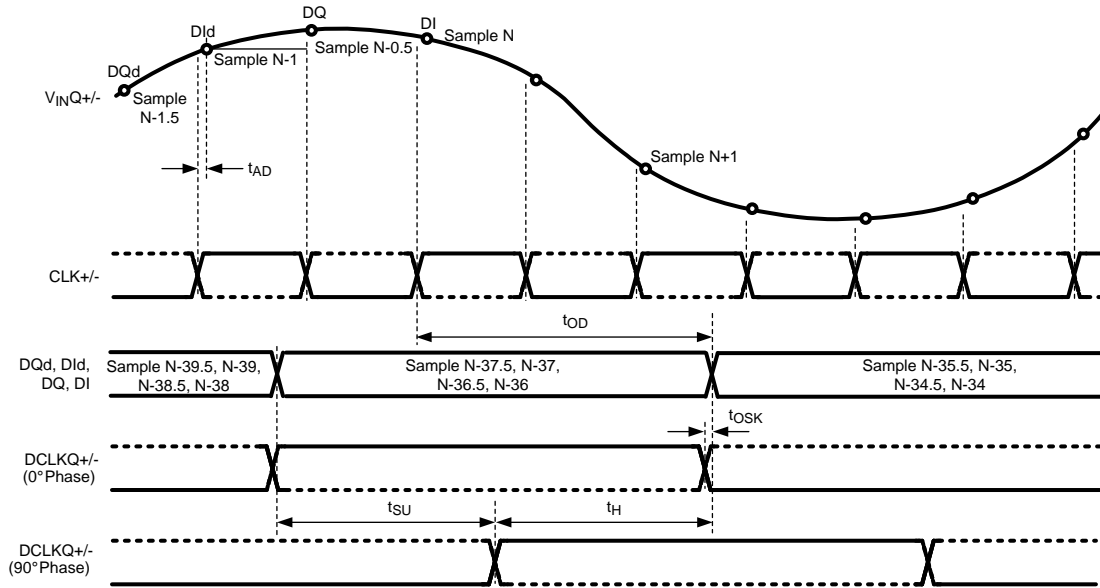


Figure 4-5. Clocking in 1:4 Demux DES Mode*

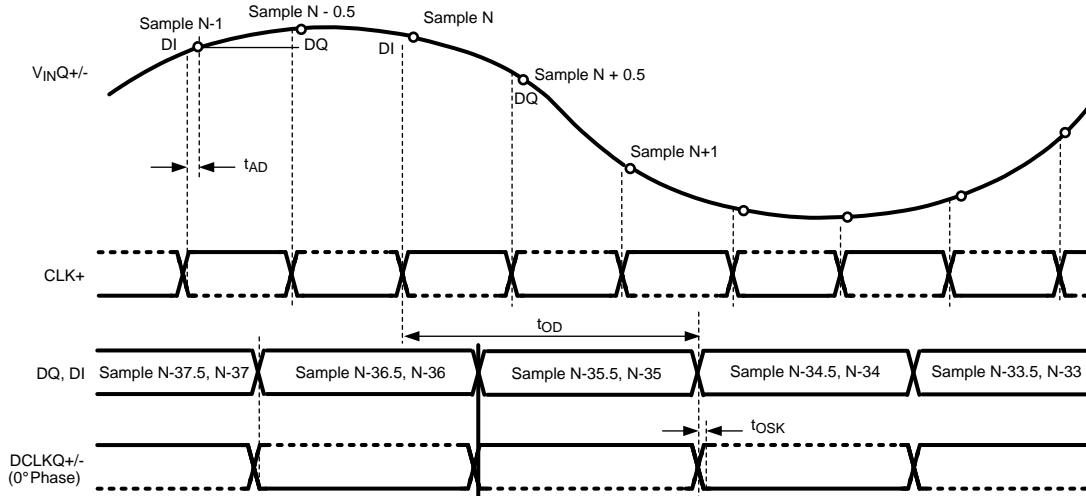


Figure 4-6. Clocking in Non-Demux Mode DES Mode*

NOTE

*The timing for these figures is shown for the one input only (I or Q). However, both I- and Q- inputs may be used. For this case, the I-channel functions precisely the same as the Q-channel, with VinI, DCLKI, DI and DI instead of VinQ, DCLKQ, DQd and DQ. Both I- and Q-channel use the same CLK.

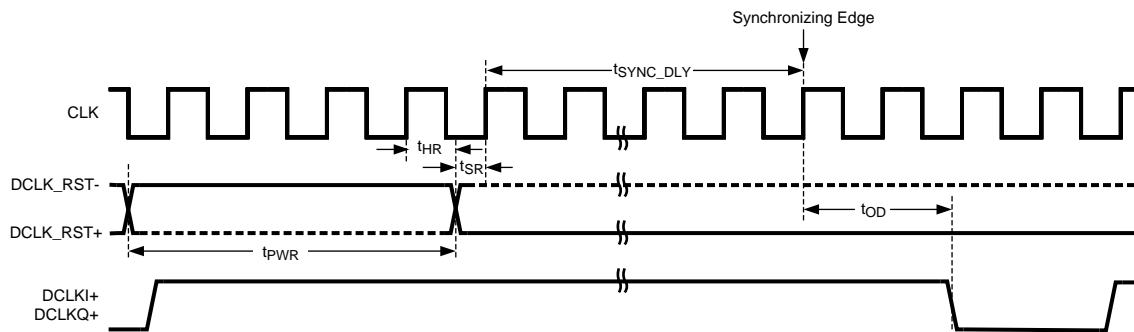


Figure 4-7. Data Clock Reset Timing (Demux Mode)

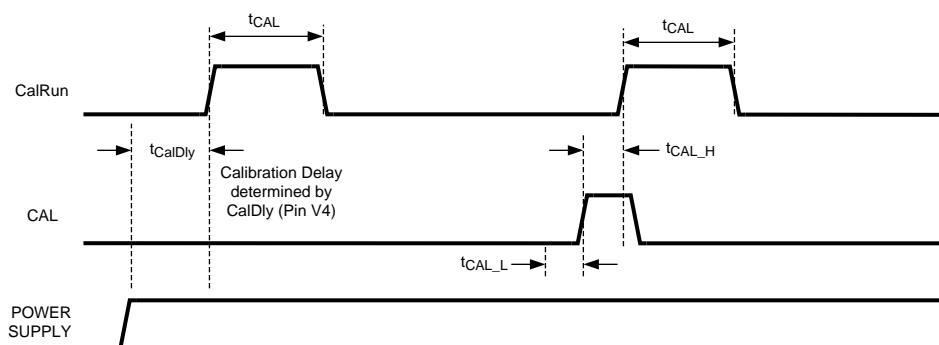


Figure 4-8. Power-on and On-Command Calibration Timing

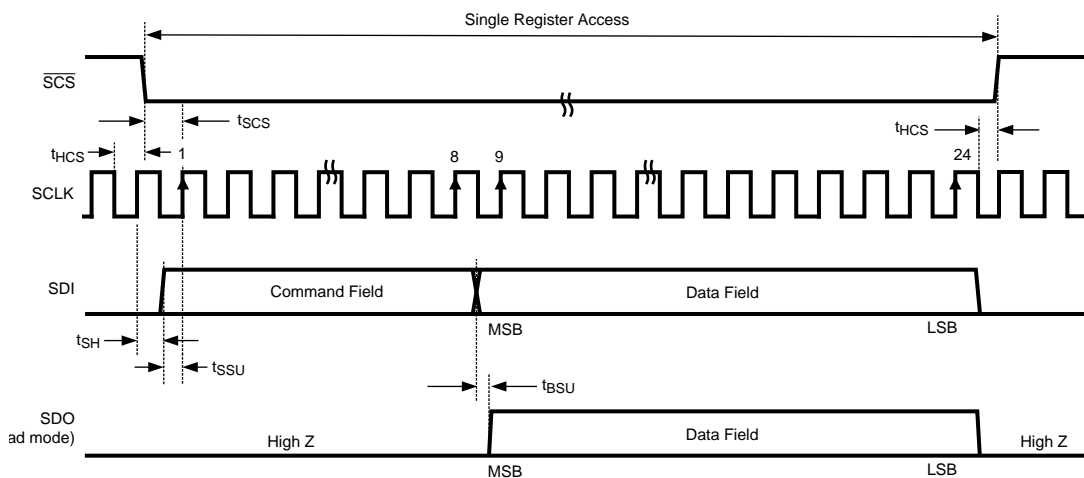


Figure 4-9. Serial Interface Timing

5 Typical Performance Plots

$V_A = V_{DR} = V_{TC} = V_E = 1.9V$, $f_{CLK} = 1.8\text{ GHz}$, $f_{IN} = 498\text{ MHz}$, $T_A = 25^\circ\text{C}$, I-channel, 1:2 Demux Non-DES Mode (1:1 Demux Non-DES Mode has similar performance), unless otherwise stated.

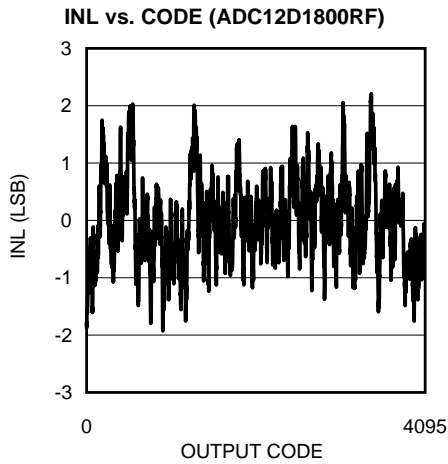


Figure 5-1.

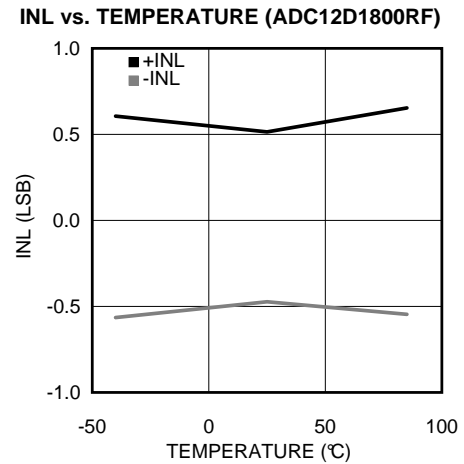


Figure 5-2.

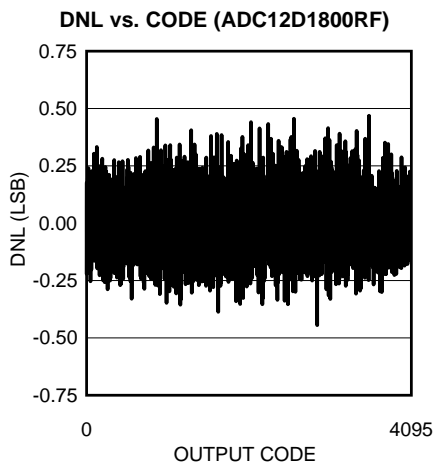


Figure 5-3.

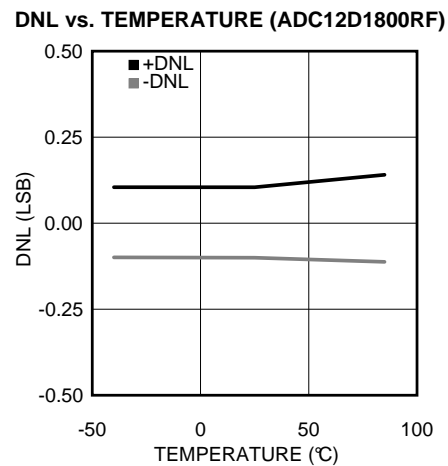


Figure 5-4.

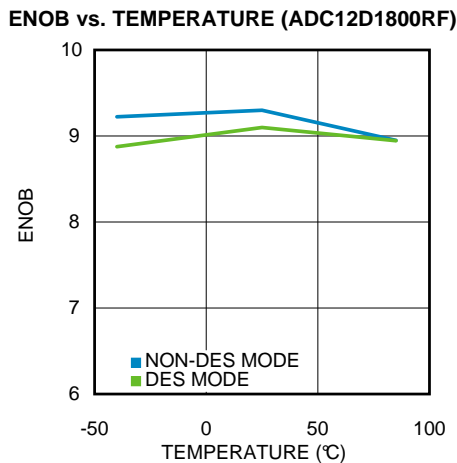


Figure 5-5.

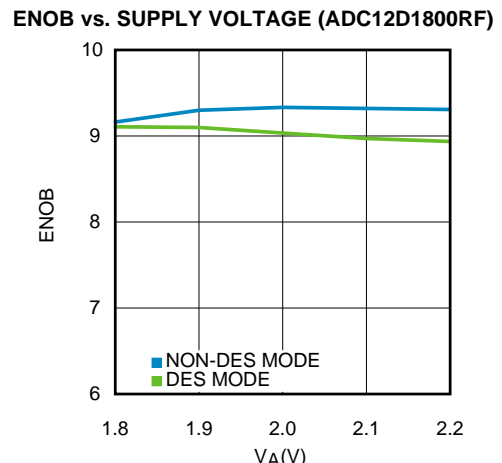


Figure 5-6.

ENOB vs. CLOCK FREQUENCY (ADC12D1800RF)

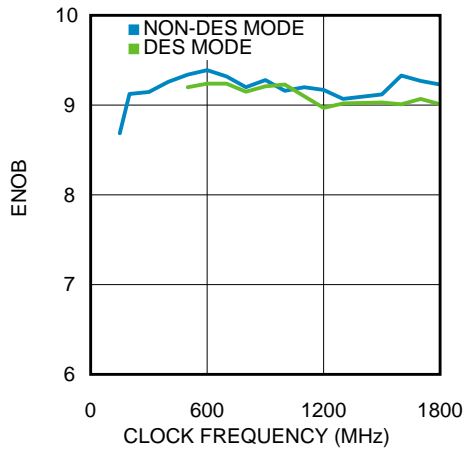


Figure 5-7.

ENOB vs. INPUT FREQUENCY (ADC12D1800RF)

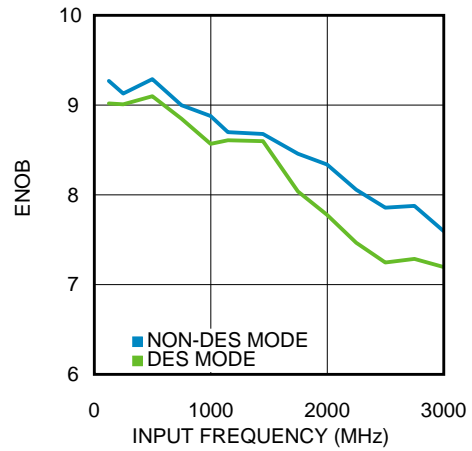


Figure 5-8.

ENOB vs. V_{CM1} (ADC12D1800RF)

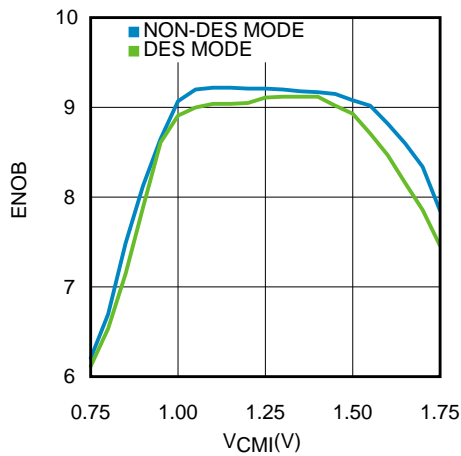


Figure 5-9.

SNR vs. TEMPERATURE (ADC12D1800RF)

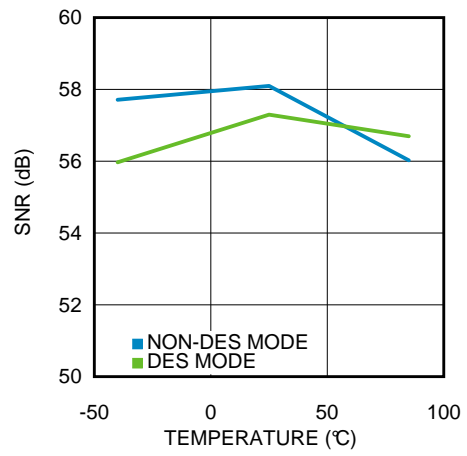


Figure 5-10.

SNR vs. SUPPLY VOLTAGE (ADC12D1800RF)

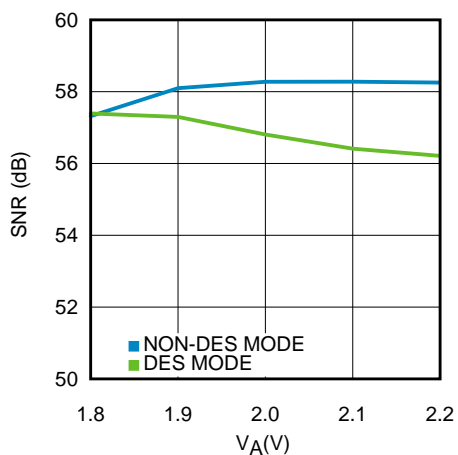


Figure 5-11.

SNR vs. CLOCK FREQUENCY (ADC12D1800RF)

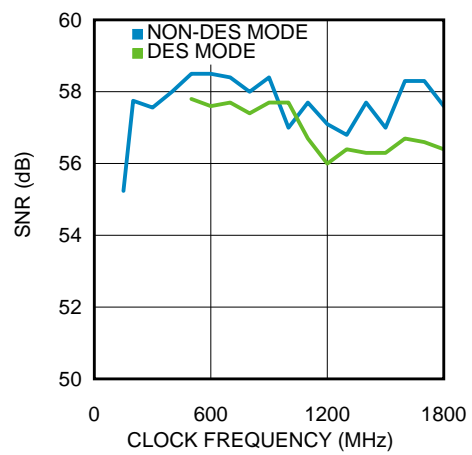


Figure 5-12.

SNR vs. INPUT FREQUENCY (ADC12D1800RF)

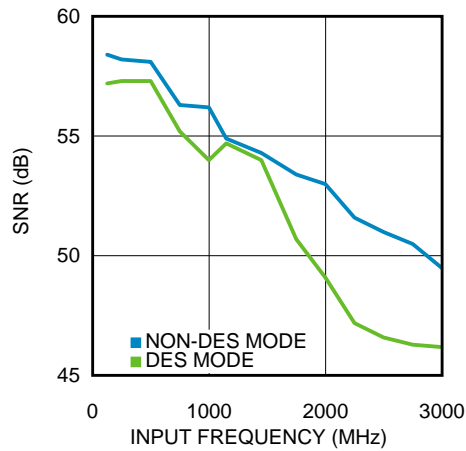


Figure 5-13.

THD vs. TEMPERATURE (ADC12D1800RF)

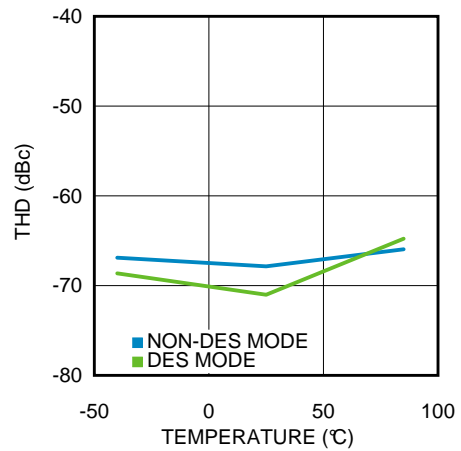


Figure 5-14.

THD vs. SUPPLY VOLTAGE (ADC12D1800RF)

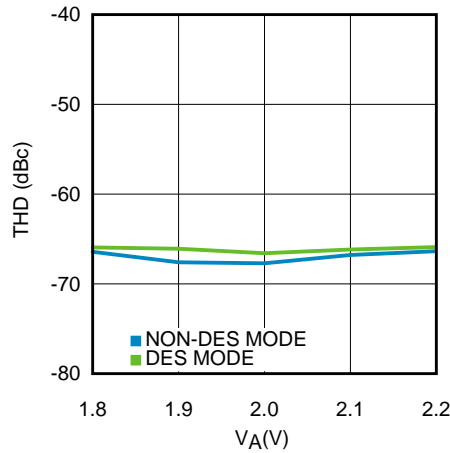


Figure 5-15.

THD vs. CLOCK FREQUENCY (ADC12D1800RF)

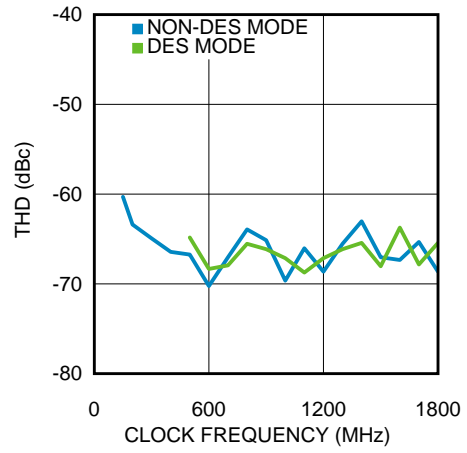


Figure 5-16.

THD vs. INPUT FREQUENCY (ADC12D1800RF)

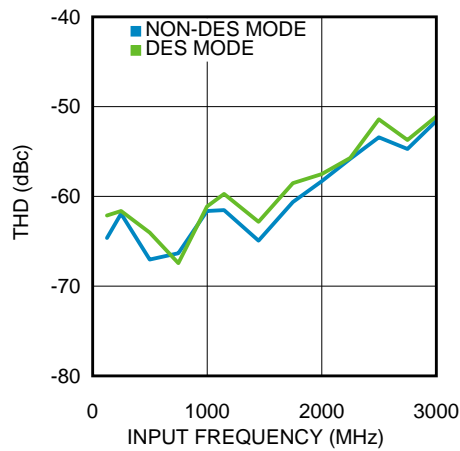


Figure 5-17.

SFDR vs. TEMPERATURE (ADC12D1800RF)

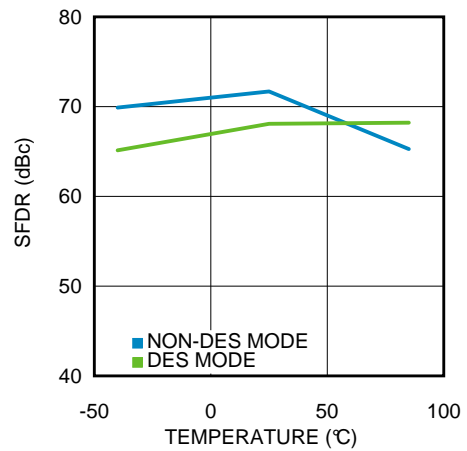


Figure 5-18.

SFDR vs. SUPPLY VOLTAGE (ADC12D1800RF)

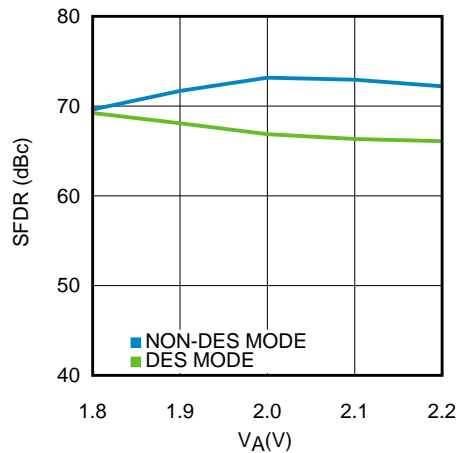


Figure 5-19.

SFDR vs. CLOCK FREQUENCY (ADC12D1800RF)

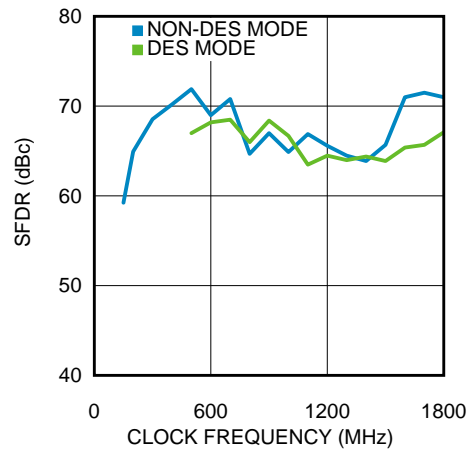


Figure 5-20.

SFDR vs. INPUT FREQUENCY (ADC12D1800RF)

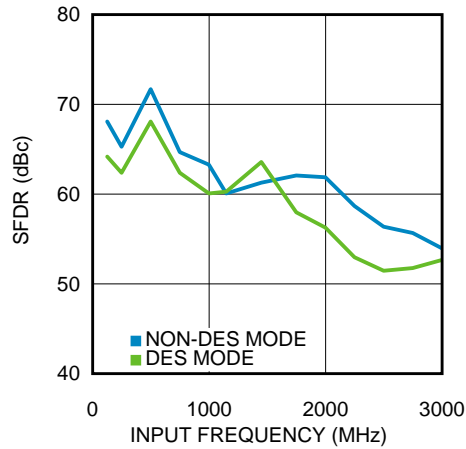


Figure 5-21.

SPECTRAL RESPONSE NON-DES MODE (ADC12D1800RF)

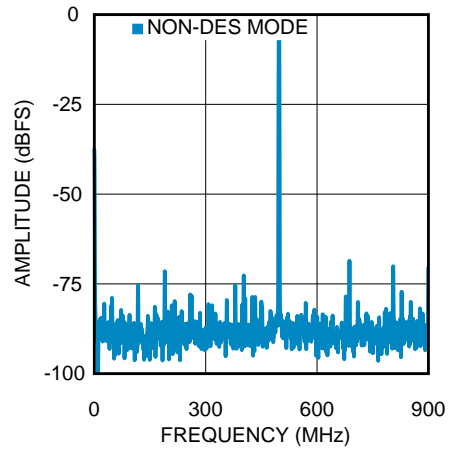


Figure 5-22.

SPECTRAL RESPONSE DESI MODE (ADC12D1800RF)

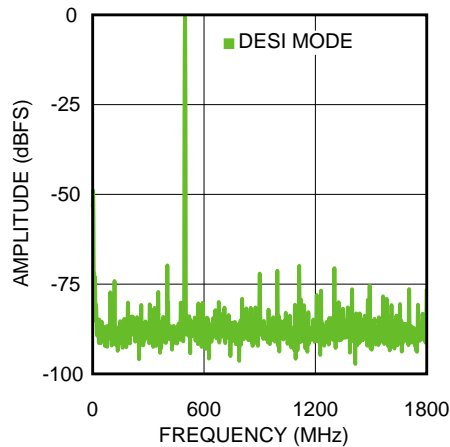


Figure 5-23.

SPECTRAL RESPONSE DESCLKIQ MODE (ADC12D1800RF)

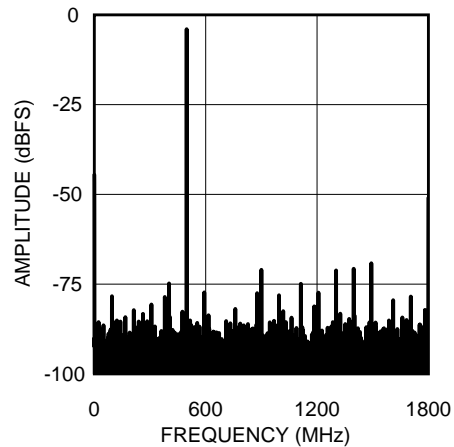


Figure 5-24.

CROSSTALK vs. SOURCE FREQUENCY (ADC12D1800RF)

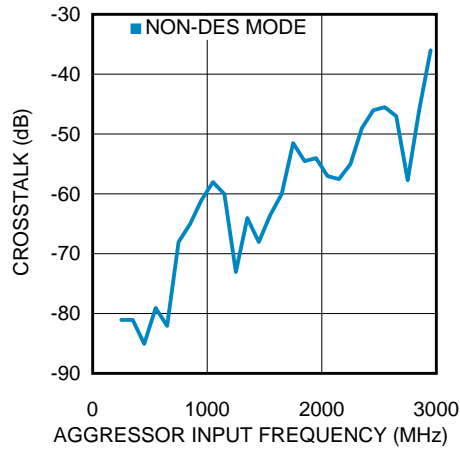


Figure 5-25.

INSERTION LOSS (ADC12D1800RF)

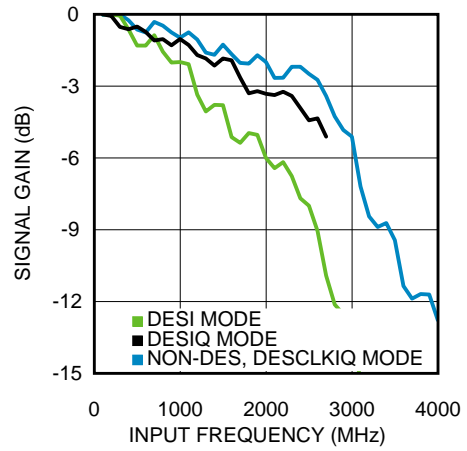


Figure 5-26.

POWER CONSUMPTION vs. CLOCK FREQUENCY (ADC12D1800RF)

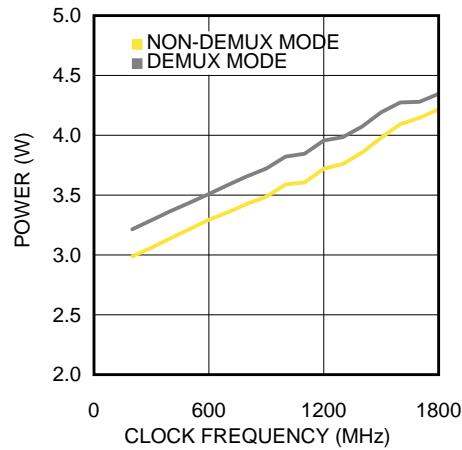


Figure 5-27.

6 Functional Description

The ADC12D1800RF is a versatile A/D converter with an innovative architecture which permits very high speed operation. The controls available ease the application of the device to circuit solutions. Optimum performance requires adherence to the provisions discussed here and in the [Applications Information](#) Section. This section covers an overview, a description of control modes (Extended Control Mode and Non-Extended Control Mode), and features.

6.1 OVERVIEW

The ADC12D1800RF uses a calibrated folding and interpolating architecture that achieves a high Effective Number of Bits (ENOB). The use of folding amplifiers greatly reduces the number of comparators and power consumption. Interpolation reduces the number of front-end amplifiers required, minimizing the load on the input signal and further reducing power requirements. In addition to correcting other non-idealities, on-chip calibration reduces the INL bow often seen with folding architectures. The result is an extremely fast, high performance, low power converter.

The analog input signal (which is within the converter's input voltage range) is digitized to twelve bits at speeds of 150 MSPS to 3.6 GSPS, typical. Differential input voltages below negative full-scale will cause the output word to consist of all zeroes. Differential input voltages above positive full-scale will cause the output word to consist of all ones. Either of these conditions at the I- or Q-input will cause the Out-of-Range I-channel or Q-channel output (ORI or ORQ), respectively, to output a logic-high signal.

In ECM, an expanded feature set is available via the Serial Interface. The ADC12D1800RF builds upon previous architectures, introducing a new DES Mode Timing Adjust, AutoSync feature for multi-chip synchronization and increasing to 15-bit for gain and 12-bit plus sign for offset the independent programmable adjustment for each channel.

Each channel has a selectable output demultiplexer which feeds two LVDS buses. If the 1:2 Demux Mode is selected, the output data rate is reduced to half the input sample rate on each bus. When Non-Demux Mode is selected, the output data rate on each channel is at the same rate as the input sample clock and only one 12-bit bus per channel is active.

6.2 CONTROL MODES

The ADC12D1800RF may be operated in one of two control modes: Non-extended Control Mode (Non-ECM) or Extended Control Mode (ECM). In the simpler Non-ECM (also sometimes referred to as Pin Control Mode), the user affects available configuration and control of the device through the control pins. The ECM provides additional configuration and control options through a serial interface and a set of 16 registers, most of which are available to the customer.

6.2.1 Non-Extended Control Mode

In Non-extended Control Mode (Non-ECM), the Serial Interface is not active and all available functions are controlled via various pin settings. Non-ECM is selected by setting the $\overline{\text{ECE}}$ Pin to logic-high. Note that, for the control pins, "logic-high" and "logic-low" refer to V_A and GND, respectively. Nine dedicated control pins provide a wide range of control for the ADC12D1800RF and facilitate its operation. These control pins provide DES Mode selection, Demux Mode selection, DDR Phase selection, execute Calibration, Calibration Delay setting, Power Down I-channel, Power Down Q-channel, Test Pattern Mode selection, and Full-Scale Input Range selection. In addition to this, two dual-purpose control pins provide for AC/DC-coupled Mode selection and LVDS output common-mode voltage selection. See [Table 6-1](#) for a summary.

Table 6-1. Non-ECM Pin Summary

| Pin Name | Logic-Low | Logic-High | Floating |
|----------------------------------|---|---------------------------------|--------------------------------|
| Dedicated Control Pins | | | |
| DES | Non-DES Mode | DES Mode | Not valid |
| NDM | Demux Mode | Non-Demux Mode | Not valid |
| DDRPh | 0° Mode | 90° Mode | Not valid |
| CAL | See Calibration Pin (CAL) | | Not valid |
| CalDly | Shorter delay | Longer delay | Not valid |
| PDI | I-channel active | Power Down I-channel | Power Down I-channel |
| PDQ | Q-channel active | Power Down Q-channel | Power Down Q-channel |
| TPM | Non-Test Pattern Mode | Test Pattern Mode | Not valid |
| FSR | Not allowed | Nominal FS input Range | Not valid |
| Dual-purpose Control Pins | | | |
| V _{CMO} | AC-coupled operation | Not allowed | DC-coupled operation |
| V _{BG} | Not allowed | Higher LVDS common-mode voltage | Lower LVDS common-mode voltage |

6.2.1.1 Dual Edge Sampling Pin (DES)

The Dual Edge Sampling (DES) Pin selects whether the ADC12D1800RF is in DES Mode (logic-high) or Non-DES Mode (logic-low). DES Mode means that a single analog input is sampled by both I- and Q-channels in a time-interleaved manner. One of the ADCs samples the input signal on the rising sampling clock edge (duty cycle corrected); the other ADC samples the input signal on the falling sampling clock edge (duty cycle corrected). In Non-ECM, only the I-input may be used for DES Mode, a.k.a. "DESI Mode". In ECM, the Q-input may be selected via the DEQ Bit (Addr: 0h, Bit: 6), a.k.a. "DESQ Mode". In ECM, both the I- and Q-inputs maybe selected, a.k.a. "DESIQ Mode".

To use this feature in ECM, use the DES bit in the Configuration Register (Addr: 0h; Bit: 7). See [DES/Non-DES Mode](#) for more information.

6.2.1.2 Non-Demultiplexed Mode Pin (NDM)

The Non-Demultiplexed Mode (NDM) Pin selects whether the ADC12D1800RF is in Demux Mode (logic-low) or Non-Demux Mode (logic-high). In Non-Demux Mode, the data from the input is produced at the sampled rate at a single 12-bit output bus. In Demux Mode, the data from the input is produced at half the sampled rate at twice the number of output buses. For Non-DES Mode, each I- or Q-channel will produce its data on one or two buses for Non-Demux or Demux Mode, respectively. For DES Mode, the selected channel will produce its data on two or four buses for Non-Demux or Demux Mode, respectively.

This feature is pin-controlled only and remains active during both Non-ECM and ECM. See [Demux/Non-demux Mode](#) for more information.

6.2.1.3 Dual Data Rate Phase Pin (DDRPh)

The Dual Data Rate Phase (DDRPh) Pin selects whether the ADC12D1800RF is in 0° Mode (logic-low) or 90° Mode (logic-high) for DDR Mode. If the device is in SDR Mode, then the DDRPh Pin selects whether the ADC12D1800RF is in Falling Mode (logic low) or Rising Mode (logic high). For DDR Mode, the Data may transition either with the DCLK transition (0° Mode) or halfway between DCLK transitions (90° Mode). The DDRPh Pin selects 0° Mode or 90° Mode for both the I-channel: DI- and DI_d-to-DCLKI phase relationship and for the Q-channel: DQ- and DQ_d-to-DCLKQ phase relationship.

To use this feature in ECM, use the DPS bit in the Configuration Register (Addr: 0h; Bit: 14). See [SDR / DDR Clock](#) for more information.

6.2.1.4 Calibration Pin (CAL)

The Calibration (CAL) Pin may be used to execute an on-command calibration or to disable the power-on calibration. The effect of calibration is to maximize the dynamic performance. To initiate an on-command calibration via the CAL pin, bring the CAL pin high for a minimum of t_{CAL_H} input clock cycles after it has been low for a minimum of t_{CAL_L} input clock cycles. Holding the CAL pin high upon power-on will prevent execution of the power-on calibration. In ECM, this pin remains active and is logically OR'd with the CAL bit.

To use this feature in ECM, use the CAL bit in the Configuration Register (Addr: 0h; Bit: 15). See [Calibration Feature](#) for more information.

6.2.1.5 Calibration Delay Pin (CalDly)

The Calibration Delay (CalDly) Pin selects whether a shorter or longer delay time is present, after the application of power, until the start of the power-on calibration. The actual delay time is specified as t_{CalDly} and may be found in [Converter Electrical Characteristics Calibration](#). This feature is pin-controlled only and remains active in ECM. It is recommended to select the desired delay time prior to power-on and not dynamically alter this selection.

See [Calibration Feature](#) for more information.

6.2.1.6 Power Down I-channel Pin (PDI)

The Power Down I-channel (PDI) Pin selects whether the I-channel is powered down (logic-high) or active (logic-low). The digital data output pins, DI and DI_d, (both positive and negative) are put into a high impedance state when the I-channel is powered down. Upon return to the active state, the pipeline will contain meaningless information and must be flushed. The supply currents (typicals and limits) are available for the I-channel powered down or active and may be found in [Converter Electrical Characteristics Power Supply Characteristics](#). The device should be recalibrated following a power-cycle of PDI (or PDQ).

This pin remains active in ECM. In ECM, either this pin or the PDI bit (Addr: 0h; Bit: 11) in the Control Register may be used to power-down the I-channel. See [Power Down](#) for more information.

6.2.1.7 Power Down Q-channel Pin (PDQ)

The Power Down Q-channel (PDQ) Pin selects whether the Q-channel is powered down (logic-high) or active (logic-low). This pin functions similarly to the PDI pin, except that it applies to the Q-channel. The PDI and PDQ pins function independently of each other to control whether each I- or Q-channel is powered down or active.

This pin remains active in ECM. In ECM, either this pin or the PDQ bit (Addr: 0h; Bit: 10) in the Control Register may be used to power-down the Q-channel. See [Power Down](#) for more information.

6.2.1.8 Test Pattern Mode Pin (TPM)

The Test Pattern Mode (TPM) Pin selects whether the output of the ADC12D1800RF is a test pattern (logic-high) or the converted analog input (logic-low). The ADC12D1800RF can provide a test pattern at the four output buses independently of the input signal to aid in system debug. In TPM, the ADC is disengaged and a test pattern generator is connected to the outputs, including ORI and ORQ. See [Test Pattern Mode](#) for more information.

6.2.1.9 Full-Scale Input Range Pin (FSR)

The Full-Scale Input Range (FSR) Pin sets the full-scale input range for both the I- and Q-channel; for the ADC12D1800RF, only the logic-high setting is available. The input full-scale range is specified as V_{IN_FSR} in [Converter Electrical Characteristics Analog Input / Output and Reference Characteristics](#). In Non-ECM, the full-scale input range for each I- and Q-channel may not be set independently, but it is possible to do so in ECM. The device must be calibrated following a change in FSR to obtain optimal performance.

To use this feature in ECM, use the Configuration Registers (Addr: 3h and Bh). See [Input Control and Adjust](#) for more information.

6.2.1.10 AC / DC-Coupled Mode Pin (V_{CMO})

The V_{CMO} Pin serves a dual purpose. When functioning as an output, it provides the optimal common-mode voltage for the DC-coupled analog inputs. When functioning as an input, it selects whether the device is AC-coupled (logic-low) or DC-coupled (floating). This pin is always active, in both ECM and Non-ECM.

6.2.1.11 LVDS Output Common-mode Pin (V_{BG})

The V_{BG} Pin serves a dual purpose. When functioning as an output, it provides the bandgap reference. When functioning as an input, it selects whether the LVDS output common-mode voltage is higher (logic-high) or lower (floating). The LVDS output common-mode voltage is specified as V_{OS} and may be found in [Converter Electrical Characteristics Digital Control and Output Pin Characteristics](#). This pin is always active, in both ECM and Non-ECM.

6.2.2 Extended Control Mode

In Extended Control Mode (ECM), most functions are controlled via the Serial Interface. In addition to this, several of the control pins remain active. See [Table 6-4](#) for details. ECM is selected by setting the \overline{ECE} Pin to logic-low. If the \overline{ECE} Pin is set to logic-high (Non-ECM), then the registers are reset to their default values. So, a simple way to reset the registers is by toggling the \overline{ECE} pin. Four pins on the ADC12D1800RF control the Serial Interface: \overline{SCS} , SCLK, SDI and SDO. This section covers the Serial Interface. The Register Definitions are located at the end of the datasheet so that they are easy to find, see [Register Definitions](#).

6.2.2.1 The Serial Interface

The ADC12D1800RF offers a Serial Interface that allows access to the sixteen control registers within the device. The Serial Interface is a generic 4-wire (optionally 3-wire) synchronous interface that is compatible with SPI type interfaces that are used on many micro-controllers and DSP controllers. Each serial interface access cycle is exactly 24 bits long. A register-read or register-write can be accomplished in one cycle. The signals are defined in such a way that the user can opt to simply join SDI and SDO signals in his system to accomplish a single, bidirectional SDI/O signal. A summary of the pins for this interface may be found in [Table 6-2](#). See [Figure 4-9](#) for the timing diagram and [Converter Electrical Characteristics Serial Port Interface](#) for timing specification details. Control register contents are retained when the device is put into power-down mode. If this feature is unused, the SCLK, SDI, and \overline{SCS} pins may be left floating because they each have an internal pull-up.

Table 6-2. Serial Interface Pins

| Pin | Name |
|-----|---|
| C4 | \overline{SCS} (Serial Chip Select bar) |
| C5 | SCLK (Serial Clock) |
| B4 | SDI (Serial Data In) |
| A3 | SDO (Serial Data Out) |

\overline{SCS} : Each assertion (logic-low) of this signal starts a new register access, i.e. the SDI command field must be ready on the following SCLK rising edge. The user is required to de-assert this signal after the 24th clock. If the \overline{SCS} is de-asserted before the 24th clock, no data read / write will occur. For a read operation, if the \overline{SCS} is asserted longer than 24 clocks, the SDO output will hold the D0 bit until \overline{SCS} is de-asserted. For a write operation, if the \overline{SCS} is asserted longer than 24 clocks, data write will occur normally through the SDI input upon the 24th clock. Setup and hold times, t_{SCS} and t_{HCS} , with respect to the SCLK must be observed. \overline{SCS} must be toggled in between register access cycles.

SCLK: This signal is used to register the input data (SDI) on the rising edge; and to source the output data (SDO) on the falling edge. The user may disable the clock and hold it at logic-low. There is no minimum frequency requirement for SCLK; see f_{SCLK} in [Converter Electrical Characteristics Serial Port Interface](#) for more details.

SDI: Each register access requires a specific 24-bit pattern at this input, consisting of a command field and a data field. If the SDI and SDO wired are shared (3-wire mode), then during read operations it is necessary to tri-state the master which is driving SDI while the data field is being output by the ADC on SDO. The master must be at TRI-STATE before the falling edge of the 8th clock. If SDI and SDO are not shared (4-wire mode), then this is not necessary. Setup and hold times, t_{SH} and t_{SSU} , with respect to the SCLK must be observed.

SDO: This output is normally at TRI-STATE and is driven only when \overline{SCS} is asserted, the first 8 bits of command data have been received and it is a READ operation. The data is shifted out, MSB first, starting with the 8th clock's falling edge. At the end of the access, when \overline{SCS} is de-asserted, this output is at TRI-STATE once again. If an invalid address is accessed, the data sourced will consist of all zeroes. If it is a read operation, there will be a bus turnaround time, t_{BSU} , from when the last bit of the command field was read in until the first bit of the data field is written out.

Table 6-3 shows the Serial Interface bit definitions.

Table 6-3. Command and Data Field Definitions⁽¹⁾

| Bit No. | Name | Comments |
|---------|--------------------|---|
| 1 | Read / Write (R/W) | 1b indicates a read operation 0b indicates a write operation |
| 2-3 | Reserved | Bits must be set to 10b |
| 4-7 | A<3:0> | 16 registers may be addressed. The order is MSB first |
| 8 | X | This is a "don't care" bit |
| 9-24 | D<15:0> | Data written to or read from addressed register |

(1) The serial data protocol is shown for a read and write operation in [Figure 6-1](#) and [Figure 6-2](#), respectively.

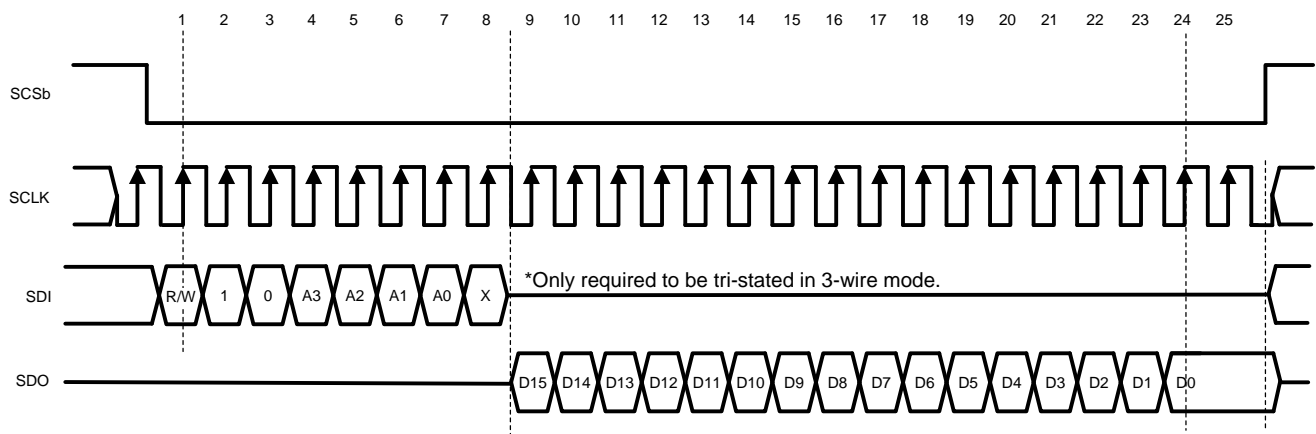


Figure 6-1. Serial Data Protocol - Read Operation

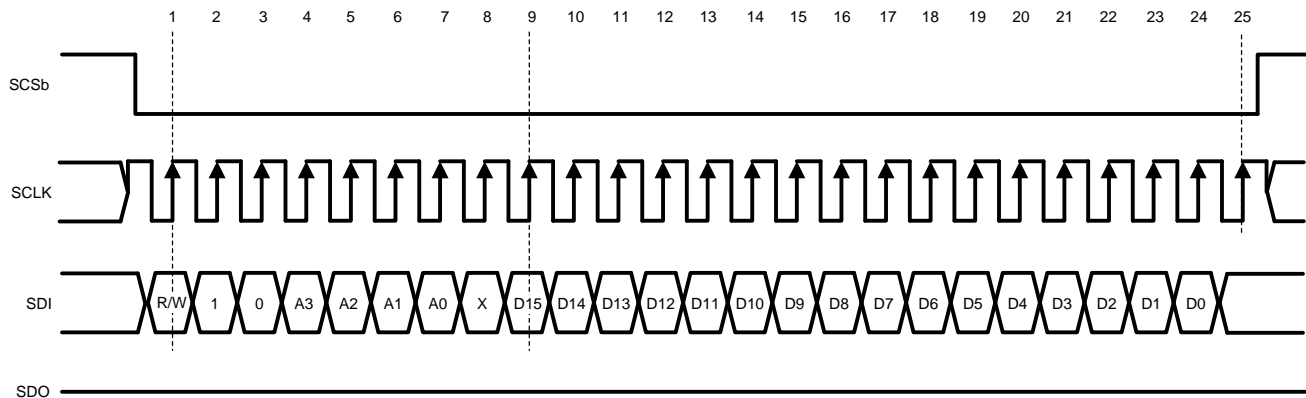


Figure 6-2. Serial Data Protocol - Write Operation

6.3 FEATURES

The ADC12D1800RF offers many features to make the device convenient to use in a wide variety of applications. Table 6-4 is a summary of the features available, as well as details for the control mode chosen. "N/A" means "Not Applicable."

Table 6-4. Features and Modes

| Feature | Non-ECM | Control Pin Active in ECM | ECM | Default ECM State |
|--|---------------------------------|---------------------------|---|--------------------------|
| Input Control and Adjust | | | | |
| AC/DC-coupled Mode Selection | Selected via V_{CMO} (Pin C2) | Yes | Not available | N/A |
| Input Full-scale Range Adjust | Selected via FSR (Pin Y3) | No | Selected via the Config Reg (Addr: 3h and Bh) | Low FSR value |
| Input Offset Adjust Setting | Not available | N/A | Selected via the Config Reg (Addr: 2h and Ah) | Offset = 0 mV |
| DES/Non-DES Mode Selection | Selected via DES (Pin V5) | No | Selected via the DES Bit (Addr: 0h; Bit: 7) | Non-DES Mode |
| DES Mode Input Selection | Not available | N/A | Selected via the DCK Bit (Addr: Eh; Bit: 6) | N/A |
| DESCLKIQ Mode⁽¹⁾ | Not available | N/A | Selected via the DES Timing Adjust Reg (Addr: 7h) | N/A |
| DES Timing Adjust | Not available | N/A | Selected via the DES Timing Adjust Reg (Addr: 7h) | Mid skew offset |
| Sampling Clock Phase Adjust | Not available | N/A | Selected via the Config Reg (Addr: Ch and Dh) | t_{AD} adjust disabled |
| Output Control and Adjust | | | | |
| DDR Clock Phase Selection | Selected via DDRPh (Pin W4) | No | Selected via the DPS Bit (Addr: 0h; Bit: 14) | 0° Mode |
| DDR / SDR DCLK Selection | Not available | N/A | Selected via the SDR Bit (Addr: 0h; Bit: 2) | DDR Mode |
| SDR Rising / Falling DCLK Selection⁽¹⁾ | Not available | N/A | Selected via the DPS Bit (Addr: 0h; Bit: 14) | N/A |
| LVDS Differential Voltage Amplitude Selection | Higher amplitude only | N/A | Selected via the OVS Bit (Addr: 0h; Bit: 13) | Higher amplitude |

(1) The -3 dB point is the traditional Full-Power Bandwidth (FPBW) specification. Although the insertion loss is approximately half the power at this frequency, the dynamic performance of the ADC does not necessarily begin to degrade to a level below which it may be effectively used in an application. The ADC may be used at input frequencies above the -3 dB FPBW point, for example, into the 3rd Nyquist zone. Depending on system requirements, it is only necessary to compensate for the insertion loss.

Table 6-4. Features and Modes (continued)

| Feature | Non-ECM | Control Pin Active in ECM | ECM | Default ECM State |
|--|--------------------------------|---------------------------|---|---|
| LVDS Common-Mode Voltage Amplitude Selection ⁽¹⁾ | Selected via V_{BG} (Pin B1) | Yes | Not available | N/A |
| Output Formatting Selection ⁽¹⁾ | Offset Binary only | N/A | Selected via the 2SC Bit (Addr: 0h; Bit: 4) | Offset Binary |
| Test Pattern Mode at Output | Selected via TPM (Pin A4) | No | Selected via the TPM Bit (Addr: 0h; Bit: 12) | TPM disabled |
| Demux/Non-Demux Mode Selection | Selected via NDM (Pin A5) | Yes | Not available | N/A |
| AutoSync | Not available | N/A | Selected via the Config Reg (Addr: Eh) | Master Mode, RCO _{Out1/2} disabled |
| DCLK Reset | Not available | N/A | Selected via the Config Reg (Addr: Eh; Bit 0) | DCLK Reset disabled |
| Time Stamp | Not available | N/A | Selected via the TSE Bit (Addr: 0h; Bit: 3) | Time Stamp disabled |
| Calibration | | | | |
| On-command Calibration | Selected via CAL (Pin D6) | Yes | Selected via the CAL Bit (Addr: 0h; Bit: 15) | N/A (CAL = 0) |
| Power-on Calibration Delay Selection ⁽²⁾ | Selected via CalDly (Pin V4) | Yes | Not available | N/A |
| Calibration Adjust ⁽²⁾ | Not available | N/A | Selected via the Config Reg (Addr: 4h) | t_{CAL} |
| Read / Write Calibration Settings ⁽²⁾ | Not available | N/A | Selected via the SSC Bit (Addr: 4h; Bit: 7) | R/W calibration values disabled |
| Power-Down | | | | |
| Power down I-channel | Selected via PDI (Pin U3) | Yes | Selected via the PDI Bit (Addr: 0h; Bit: 11) | I-channel operational |
| Power down Q-channel | Selected via PDQ (Pin V3) | Yes | Selected via the PDQ Bit (Addr: 0h; Bit: 10) | Q-channel operational |

(2) The -3 dB point is the traditional Full-Power Bandwidth (FPBW) specification. Although the insertion loss is approximately half the power at this frequency, the dynamic performance of the ADC does not necessarily begin to degrade to a level below which it may be effectively used in an application. The ADC may be used at input frequencies above the -3 dB FPBW point, for example, into the 3rd Nyquist zone. Depending on system requirements, it is only necessary to compensate for the insertion loss.

6.3.1 Input Control and Adjust

There are several features and configurations for the input of the ADC12D1800RF so that it may be used in many different applications. This section covers AC/DC-coupled Mode, input full-scale range adjust, input offset adjust, DES/Non-DES Mode, DES Timing Adjust, and sampling clock phase adjust.

6.3.1.1 AC/DC-coupled Mode

The analog inputs may be AC or DC-coupled. See [AC / DC-Coupled Mode Pin \(VCMO\)](#) for information on how to select the desired mode and [DC-coupled Input Signals](#) and [AC-coupled Input Signals](#) for applications information.

6.3.1.2 Input Full-Scale Range Adjust

The input full-scale range for the ADC12D1800RF may be adjusted in ECM. In Non-ECM, the control pin must be set to logic-high; see [Full-Scale Input Range Pin \(FSR\)](#). In ECM, the input full-scale range may be adjusted with 15-bits of precision. See V_{IN_FSR} in [Converter Electrical Characteristics Analog Input / Output and Reference Characteristics](#) for electrical specification details. Note that the full-scale input range setting in Non-ECM (logic-high only) corresponds to the lowest full-scale input range settings in ECM. It is necessary to execute an on-command calibration following a change of the input full-scale range. See [Register Definitions](#) for information about the registers.

6.3.1.3 Input Offset Adjust

The input offset adjust for the ADC12D1800RF may be adjusted with 12-bits of precision plus sign via ECM. See [Register Definitions](#) for information about the registers.

6.3.1.4 DES/Non-DES Mode

The ADC12D1800RF can operate in Dual-Edge Sampling (DES) or Non-DES Mode. The DES Mode allows for a single analog input to be sampled by both I- and Q-channels. One channel samples the input on the rising edge of the sampling clock and the other samples the same input signal on the falling edge of the sampling clock. A single input is thus sampled twice per clock cycle, resulting in an overall sample rate of twice the sampling clock frequency, e.g. 3.6 GSPS with a 1.8 GHz sampling clock. Since DES Mode uses both I- and Q-channels to process the input signal, both channels must be powered up for the DES Mode to function properly.

In Non-ECM, only the I-input may be used for the DES Mode input. See [Dual Edge Sampling Pin \(DES\)](#) for information on how to select the DES Mode. In ECM, either the I- or Q-input may be selected by first using the DES bit (Addr: 0h, Bit 7) to select the DES Mode. The DEQ Bit (Addr: 0h, Bit: 6) is used to select the Q-input, but the I-input is used by default. Also, both I- and Q-inputs may be driven externally, i.e. DESIQ Mode, by using the DIQ bit (Addr: 0h, Bit 5). See [THE ANALOG INPUTS](#) for more information about how to drive the ADC in DES Mode.

In DESCLKIQ Mode, the I- and Q-channels sample their inputs 180° out-of-phase with respect to one another, similar to the other DES Modes. DESCLKIQ Mode is similar to the DESIQ Mode, except that the I- and Q-channels remain electrically separate internal to the ADC12D1800RF. For this reason, both I- and Q-inputs must be externally driven for the DESCLKIQ Mode. The DCLK Bit (Addr: Eh, Bit 6) is used to select the 180° sampling clock mode.

The DESCLKIQ Mode results in the best bandwidth for the interleaved modes. In general, the bandwidth decreases from Non-DES Mode to DES Mode (specifically, DESI or DESQ) because both channels are sampling off the same input signal and non-ideal effects introduced by interleaving the two channels lower the bandwidth. Driving both I- and Q-channels externally (DESIQ Mode and DESCLKIQ Mode) results in better bandwidth for the DES Mode because each channel is being driven, which reduces routing losses. The DESCLKIQ Mode has better bandwidth than the DESIQ Mode because the routing internal to the ADC12D1800RF is simpler, which results in less insertion loss.

In the DES Mode, the outputs must be carefully interleaved in order to reconstruct the sampled signal. If the device is programmed into the 1:4 Demux DES Mode, the data is effectively demultiplexed by 1:4. If the sampling clock is 1.8 GHz, the effective sampling rate is doubled to 3.6 GSPS and each of the 4 output buses has an output rate of 900 MSPS. All data is available in parallel. To properly reconstruct the sampled waveform, the four bytes of parallel data that are output with each DCLK must be correctly interleaved. The sampling order is as follows, from the earliest to the latest: DQd, DI, DQ, DI. See [Figure 4-5](#). If the device is programmed into the Non-Demux DES Mode, two bytes of parallel data are output with each edge of the DCLK in the following sampling order, from the earliest to the latest: DQ, DI. See [Figure 4-6](#).

6.3.1.5 DES Timing Adjust

The performance of the ADC12D1800RF in DES Mode depends on how well the two channels are interleaved, i.e. that the clock samples either channel with precisely a 50% duty-cycle, each channel has the same offset (nominally code 2047/2048), and each channel has the same full-scale range. The ADC12D1800RF includes an automatic clock phase background adjustment in DES Mode to automatically and continuously adjust the clock phase of the I- and Q-channels. In addition to this, the residual fixed timing skew offset may be further manually adjusted, and further reduce timing spurs for specific applications. See the [DES Timing Adjust](#) (Addr: 7h). As the DES Timing Adjust is programmed from 0d to 127d, the magnitude of the $F_s/2$ -Fin timing interleaving spur will decrease to a local minimum and then increase again. The default, nominal setting of 64d may or may not coincide with this local minimum. The user may manually skew the global timing to achieve the lowest possible timing interleaving spur.

6.3.1.6 Sampling Clock Phase Adjust

The sampling clock (CLK) phase may be delayed internally to the ADC up to 825 ps in ECM. This feature is intended to help the system designer remove small imbalances in clock distribution traces at the board level when multiple ADCs are used, or to simplify complex system functions such as beam steering for phase array antennas.

Additional delay in the clock path also creates additional jitter when using the sampling clock phase adjust. Because the sampling clock phase adjust delays all clocks, including the DCLKs and output data, the user is strongly advised to use the minimal amount of adjustment and verify the net benefit of this feature in his system before relying on it.

Using this feature at its maximum setting, for the maximum sampling clock rate, may affect the integrity of the sampling clock on chip. Therefore, it is not recommended to do so. The maximum setting for the coarse adjust is 825ps. The period for the maximum sampling clock rate of is 555ps, so it should not be necessary to exceed this value in any case.

6.3.2 Output Control and Adjust

There are several features and configurations for the output of the ADC12D1800RF so that it may be used in many different applications. This section covers DDR clock phase, LVDS output differential and common-mode voltage, output formatting, Demux/Non-demux Mode, Test Pattern Mode, and Time Stamp.

6.3.2.1 SDR / DDR Clock

The ADC12D1800RF output data can be delivered in Double Data Rate (DDR) or Single Data Rate (SDR). For DDR, the DCLK frequency is half the data rate and data is sent to the outputs on both edges of DCLK; see [Figure 6-3](#). The DCLK-to-Data phase relationship may be either 0° or 90°. For 0° Mode, the Data transitions on each edge of the DCLK. Any offset from this timing is t_{OSK} ; see [Converter Electrical Characteristics AC Electrical Characteristics](#) for details. For 90° Mode, the DCLK transitions in the middle of each Data cell. Setup and hold times for this transition, t_{SU} and t_H , may also be found in [Converter Electrical Characteristics AC Electrical Characteristics](#). The DCLK-to-Data phase relationship may be selected via the DDRPh Pin in Non-ECM (see [Dual Data Rate Phase Pin \(DDRPh\)](#)) or the DPS bit in the Configuration Register (Addr: 0h; Bit: 14) in ECM. Note that for Non-Demux Mode, 90° DDR Mode is not available.

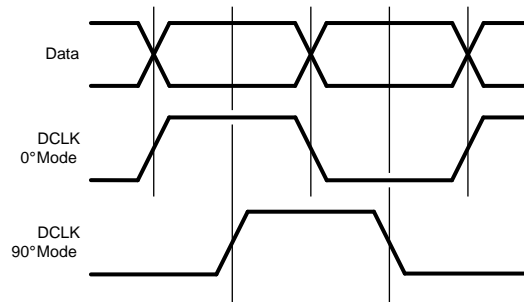


Figure 6-3. DDR DCLK-to-Data Phase Relationship

For SDR, the DCLK frequency is the same as the data rate and data is sent to the outputs on a single edge of DCLK; see [Figure 6-4](#). The Data may transition on either rising or falling edge of DCLK. Any offset from this timing is t_{OSK} ; see [Converter Electrical Characteristics AC Electrical Characteristics](#) for details. The DCLK rising / falling edge may be selected via the SDR bit in the Configuration Register (Addr: 0h; Bit: 2) in ECM only. Note that SDR is available in Demux Mode, but not in Non-Demux Mode.

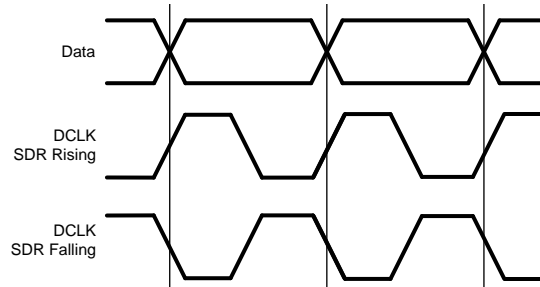


Figure 6-4. SDR DCLK-to-Data Phase Relationship

6.3.2.2 LVDS Output Differential Voltage

The ADC12D1800RF is available with a selectable higher or lower LVDS output differential voltage. This parameter is V_{OD} and may be found in [Converter Electrical Characteristics Digital Control and Output Pin Characteristics](#). The desired voltage may be selected via the OVS Bit (Addr: 0h, Bit 13). For many applications, in which the LVDS outputs are very close to an FPGA on the same board, for example, the lower setting is sufficient for good performance; this will also reduce the possibility for EMI from the LVDS outputs to other signals on the board. See [Register Definitions](#) for more information.

6.3.2.3 LVDS Output Common-Mode Voltage

The ADC12D1800RF is available with a selectable higher or lower LVDS output common-mode voltage. This parameter is V_{OS} and may be found in [Converter Electrical Characteristics Digital Control and Output Pin Characteristics](#). See [LVDS Output Common-mode Pin \(V_{BG}\)](#) for information on how to select the desired voltage.

6.3.2.4 Output Formatting

The formatting at the digital data outputs may be either offset binary or two's complement. The default formatting is offset binary, but two's complement may be selected via the 2SC Bit (Addr: 0h, Bit 4); see [Register Definitions](#) for more information.

6.3.2.5 Demux/Non-demux Mode

The ADC12D1800RF may be in one of two demultiplex modes: Demux Mode or Non-Demux Mode (also sometimes referred to as 1:1 Demux Mode). In Non-Demux Mode, the data from the input is simply output at the sampling rate on one 12-bit bus. In Demux Mode, the data from the input is output at half the sampling rate, on twice the number of buses. Demux/Non-Demux Mode may only be selected by the NDM pin; see [Non-Demultiplexed Mode Pin \(NDM\)](#). In Non-DES Mode, the output data from each channel may be demultiplexed by a factor of 1:2 (1:2 Demux Non-DES Mode) or not demultiplexed (Non-Demux Non-DES Mode). In DES Mode, the output data from both channels interleaved may be demultiplexed (1:4 Demux DES Mode) or not demultiplexed (Non-Demux DES Mode).

Note that for Non-Demux Mode, 90° DDR Mode and SDR Mode are not available. See [Table 6-5](#) for a selection of available modes.

Table 6-5. Supported Demux, Data Rate Modes

| | Non-Demux Mode | 1:2 Demux Mode |
|-----|----------------|-----------------------|
| DDR | 0° Mode only | 0° Mode / 90° Mode |
| SDR | Not Available | Rising / Falling Mode |

6.3.2.6 Test Pattern Mode

The ADC12D1800RF can provide a test pattern at the four output buses independently of the input signal to aid in system debug. In Test Pattern Mode, the ADC is disengaged and a test pattern generator is connected to the outputs, including ORI and ORQ. The test pattern output is the same in DES Mode or Non-DES Mode. Each port is given a unique 12-bit word, alternating between 1's and 0's. When the part is programmed into the Demux Mode, the test pattern's order is described in [Table 6-6](#). If the I- or Q-channel is powered down, the test pattern will not be output for that channel.

Table 6-6. Test Pattern by Output Port in Demux Mode⁽¹⁾

| Time | Qd | Id | Q | I | ORQ | ORI | Comments |
|------|------|------|------|------|-----|-----|----------------------|
| T0 | 000h | 004h | 008h | 010h | 0b | 0b | Pattern Sequence n |
| T1 | FFFh | FFBh | FF7h | FEFh | 1b | 1b | |
| T2 | 000h | 004h | 008h | 010h | 0b | 0b | |
| T3 | FFFh | FFBh | FF7h | FEFh | 1b | 1b | |
| T4 | 000h | 004h | 008h | 010h | 0b | 0b | Pattern Sequence n+1 |
| T5 | 000h | 004h | 008h | 010h | 0b | 0b | |
| T6 | FFFh | FFBh | FF7h | FEFh | 1b | 1b | |
| T7 | 000h | 004h | 008h | 010h | 0b | 0b | |
| T8 | FFFh | FFBh | FF7h | FEFh | 1b | 1b | Pattern Sequence n+2 |
| T9 | 000h | 004h | 008h | 010h | 0b | 0b | |
| T10 | 000h | 004h | 008h | 010h | 0b | 0b | |
| T11 | FFFh | FFBh | FF7h | FEFh | 1b | 1b | |
| T12 | 000h | 004h | 008h | 010h | 0b | 0b | ... |
| T13 | ... | ... | ... | ... | ... | ... | |

(1) When the part is programmed into the Non-Demux Mode, the test pattern's order is described in [Table 6-7](#).

Table 6-7. Test Pattern by Output Port in Non-Demux Mode

| Time | Q | I | ORQ | ORI | Comments |
|------|------|------|-----|-----|----------------------|
| T0 | 000h | 004h | 0b | 0b | Pattern Sequence n |
| T1 | 000h | 004h | 0b | 0b | |
| T2 | FFFh | FFBh | 1b | 1b | |
| T3 | FFFh | FFBh | 1b | 1b | |
| T4 | 000h | 004h | 0b | 0b | |
| T5 | FFFh | FFBh | 1b | 1b | |
| T6 | 000h | 004h | 0b | 0b | |
| T7 | FFFh | FFBh | 1b | 1b | |
| T8 | FFFh | FFBh | 1b | 1b | |
| T9 | FFFh | FFBh | 1b | 1b | |
| T10 | 000h | 004h | 0b | 0b | Pattern Sequence n+1 |
| T11 | 000h | 004h | 0b | 0b | |
| T12 | FFFh | FFBh | 1b | 1b | |
| T13 | FFFh | FFBh | 1b | 1b | |
| T14 | ... | ... | ... | ... | |

6.3.2.7 Time Stamp

The Time Stamp feature enables the user to capture the timing of an external trigger event, relative to the sampled signal. When enabled via the TSE Bit (Addr: 0h; Bit: 3), the LSB of the digital outputs (DQd, DQ, DI_d, DI) captures the trigger information. In effect, the 12-bit converter becomes an 11-bit converter and the LSB acts as a 1-bit converter with the same latency as the 11-bit converter. The trigger should be applied to the DCLK_RST input. It may be asynchronous to the ADC sampling clock.

6.3.3 Calibration Feature

The ADC12D1800RF calibration must be run to achieve specified performance. The calibration procedure is exactly the same regardless of how it was initiated or when it is run. Calibration trims the analog input differential termination resistors, the CLK input resistor, and sets internal bias currents which affect the linearity of the converter. This minimizes full-scale error, offset error, DNL and INL, which results in the maximum dynamic performance, as measured by: SNR, THD, SINAD (SNDR) and ENOB.

6.3.3.1 Calibration Control Pins and Bits

Table 6-8 is a summary of the pins and bits used for calibration. See [Ball Descriptions and Equivalent Circuits](#) for complete pin information and [Figure 4-8](#) for the timing diagram.

Table 6-8. Calibration Pins

| Pin (Bit) | Name | Function |
|--------------------------|---|--|
| D6 (Addr: 0h; Bit 15) | CAL (Calibration) | Initiate calibration |
| V4 (Addr: 4h) | CalDly (Calibration Delay) Calibration Adjust | Select power-on calibration delay Adjust calibration sequence |
| B5 | CalRun (Calibration Running) | Indicates while calibration is running |
| C1/D2 | Rtrim+/- (Input termination trim resistor) | External resistor used to calibrate analog and CLK inputs |
| C3/D3 | Rext+/- (External Reference resistor) | External resistor used to calibrate internal linearity |

6.3.3.2 How to Execute a Calibration

Calibration may be initiated by holding the CAL pin low for at least t_{CAL_L} clock cycles, and then holding it high for at least another t_{CAL_H} clock cycles, as defined in [Converter Electrical Characteristics Calibration](#). The minimum t_{CAL_L} and t_{CAL_H} input clock cycle sequences are required to ensure that random noise does not cause a calibration to begin when it is not desired. The time taken by the calibration procedure is specified as t_{CAL} . The CAL Pin is active in both ECM and Non-ECM. However, in ECM, the CAL Pin is logically OR'd with the CAL Bit, so both the pin and bit are required to be set low before executing another calibration via either pin or bit.

6.3.3.3 Power-on Calibration

For standard operation, power-on calibration begins after a time delay following the application of power, as determined by the setting of the CalDly Pin and measured by t_{CalDly} (see [Converter Electrical Characteristics Calibration](#)). This delay allows the power supply to come up and stabilize before the power-on calibration takes place. The best setting (short or long) of the CalDly Pin depends upon the settling time of the power supply.

It is strongly recommended to set CalDly Pin (to either logic-high or logic-low) before powering the device on since this pin affects the power-on calibration timing. This may be accomplished by setting CalDly via an external 1kΩ resistor connected to GND or V_A . If the CalDly Pin is toggled while the device is powered-on, it can execute a calibration even though the CAL Pin / Bit remains logic-low.

The power-on calibration will not be performed if the CAL pin is logic-high at power-on. In this case, the calibration cycle will not begin until the on-command calibration conditions are met. The ADC12D1800RF will function with the CAL pin held high at power up, but no calibration will be done and performance will be impaired.

If it is necessary to toggle the CalDly Pin during the system power up sequence, then the CAL Pin / Bit must be set to logic-high before the toggling and afterwards for 10^9 Sampling Clock cycles. This will prevent the power-on calibration, so an on-command calibration must be executed or the performance will be impaired.

6.3.3.4 On-command Calibration

In addition to the power-on calibration, it is recommended to execute an on-command calibration whenever the settings or conditions to the device are altered significantly, in order to obtain optimal parametric performance. Some examples include: changing the FSR via ECM, power-cycling either channel, and switching into or out of DES Mode. For best performance, it is also recommended that an on-command calibration be run 20 seconds or more after application of power and whenever the operating temperature changes significantly, relative to the specific system performance requirements.

Due to the nature of the calibration feature, it is recommended to avoid unnecessary activities on the device while the calibration is taking place. For example, do not read or write to the Serial Interface or use the DCLK Reset feature while calibrating the ADC. Doing so will impair the performance of the device until it is re-calibrated correctly. Also, it is recommended to not apply a strong narrow-band signal to the analog inputs during calibration because this may impair the accuracy of the calibration; broad spectrum noise is acceptable.

6.3.3.5 Calibration Adjust

The sequence of the calibration event itself may be adjusted. This feature can be used if a shorter calibration time than the default is required; see t_{CAL} in [Converter Electrical Characteristics Calibration](#). However, the performance of the device, when using this feature is not ensured.

The calibration sequence may be adjusted via CSS (Addr: 4h, Bit 14). The default setting of CSS = 1b executes both R_{IN} and R_{IN_CLK} Calibration (using Rtrim) and internal linearity Calibration (using Rext). Executing a calibration with CSS = 0b executes only the internal linearity Calibration. The first time that Calibration is executed, it must be with CSS = 1b to trim R_{IN} and R_{IN_CLK} . However, once the device is at its operating temperature and R_{IN} has been trimmed at least one time, it will not drift significantly. To save time in subsequent calibrations, trimming R_{IN} and R_{IN_CLK} may be skipped, i.e. by setting CSS = 0b.

6.3.3.6 Read / Write Calibration Settings

When the ADC performs a calibration, the calibration constants are stored in an array which is accessible via the Calibration Values register (Addr: 5h). To save the time which it takes to execute a calibration, t_{CAL} , or to allow for re-use of a previous calibration result, these values can be read from and written to the register at a later time. For example, if an application requires the same input impedance, R_{IN} , this feature can be used to load a previously determined set of values. For the calibration values to be valid, the ADC must be operating under the same conditions, including temperature, at which the calibration values were originally determined by the ADC.

To read calibration values from the SPI, do the following:

1. Set ADC to desired operating conditions.
2. Set SSC (Addr: 4h, Bit 7) to 1.

3. Read exactly 240 times the Calibration Values register (Addr: 5h). The register values are R0, R1, R2... R239 where R0 is a dummy value. The contents of R<239:1> should be stored.
4. Set SSC (Addr: 4h, Bit 7) to 0.
5. Continue with normal operation.

To write calibration values to the SPI, do the following:

1. Set ADC to operating conditions at which Calibration Values were previously read.
2. Set SSC (Addr: 4h, Bit 7) to 1.
3. Write exactly 239 times the Calibration Values register (Addr: 5h). The registers should be written R1, R2, ... , R239.
4. Make two additional dummy writes of 0000h.
5. Set SSC (Addr: 4h, Bit 7) to 0.
6. Continue with normal operation.

6.3.3.7 Calibration and Power-Down

If PDI and PDQ are simultaneously asserted during a calibration cycle, the ADC12D1800RF will immediately power down. The calibration cycle will continue when either or both channels are powered back up, but the calibration will be compromised due to the incomplete settling of bias currents directly after power up. Therefore, a new calibration should be executed upon powering the ADC12D1800RF back up. In general, the ADC12D1800RF should be recalibrated when either or both channels are powered back up, or after one channel is powered down. For best results, this should be done after the device has stabilized to its operating temperature.

6.3.3.8 Calibration and the Digital Outputs

During calibration, the digital outputs (including DI, DI_d, DQ, DQ_d and OR) are set logic-low, to reduce noise. The DCLK runs continuously during calibration. After the calibration is completed and the CalRun signal is logic-low, it takes an additional 60 Sampling Clock cycles before the output of the ADC12D1800RF is valid converted data from the analog inputs. This is the time it takes for the pipeline to flush, as well as for other internal processes.

6.3.4 Power Down

On the ADC12D1800RF, the I- and Q-channels may be powered down individually. This may be accomplished via the control pins, PDI and PDQ, or via ECM. In ECM, the PDI and PDQ pins are logically OR'd with the Control Register setting. See [Power Down I-channel Pin \(PDI\)](#) and [Power Down Q-channel Pin \(PDQ\)](#) for more information.

6.4 Applications Information

6.4.1 THE ANALOG INPUTS

The ADC12D1800RF will continuously convert any signal which is present at the analog inputs, as long as a CLK signal is also provided to the device. This section covers important aspects related to the analog inputs including: acquiring the input, driving the ADC in DES Mode, the reference voltage and FSR, out-of-range indication, AC/DC-coupled signals, and single-ended input signals.

6.4.1.1 Acquiring the Input

The Aperture Delay, t_{AD} , is the amount of delay, measured from the sampling edge of the clock input, after which the signal present at the input pin is sampled inside the device. Data is acquired at the rising edge of CLK+ in Non-DES Mode and both the falling and rising edge of CLK+ in DES Mode. In Non-DES Mode, the I- and Q-channels always sample data on the rising edge of CLK+. In DES Mode, i.e. DESI, DESQ, DESIQ, and DESCCLKIQ, the I-channel samples data on the rising edge of CLK+ and the Q-channel samples data on the falling edge of CLK+. The digital equivalent of that data is available at the digital outputs a constant number of sampling clock cycles later for the DI, DQ, DI_d and DQ_d output busses, a.k.a. the latency, depending on the demultiplex mode which is selected. In addition to the latency, there is a constant output delay, t_{OD} , before the data is available at the outputs. See t_{OD} in the [Timing Diagrams](#). See t_{LAT} , t_{AD} , and t_{OD} in [Converter Electrical Characteristics AC Electrical Characteristics](#).

6.4.1.2 Driving the ADC in DES Mode

The ADC12D1800RF can be configured as either a 2-channel, 1.8 GSPS device (Non-DES Mode) or a 1-channel 3.6 GSPS device (DES Mode). When the device is configured in DES Mode, there is a choice for with which input to drive the single-channel ADC. These are the 3 options:

DES – externally driving the I-channel input only. This is the default selection when the ADC is configured in DES Mode. It may also be referred to as “DESI” for added clarity.

DESQ – externally driving the Q-channel input only.

DESIQ, DESCCLKIQ – externally driving both the I- and Q-channel inputs. VinI+ and VinQ+ should be driven with the exact same signal. VinI- and VinQ- should be driven with the exact same signal, which is the differential complement to the one driving VinI+ and VinQ+.

The input impedance for each I- and Q-input is 100Ω differential (or 50Ω single-ended), so the trace to each VinI+, VinI-, VinQ+, and VinQ- should always be 50Ω single-ended. If a single I- or Q-input is being driven, then that input will present a 100Ω differential load. For example, if a 50Ω single-ended source is driving the ADC, then a 1:2 balun will transform the impedance to 100Ω differential. However, if the ADC is being driven in DESIQ Mode, then the 100Ω differential impedance from the I-input will appear in parallel with the Q-input for a composite load of 50Ω differential and a 1:1 balun would be appropriate. See [Figure 6-5](#) for an example circuit driving the ADC in DESIQ Mode. A recommended part selection is using the Mini-Circuits TC1-1-13MA+ balun with $C_{couple} = 0.22\mu\text{F}$.

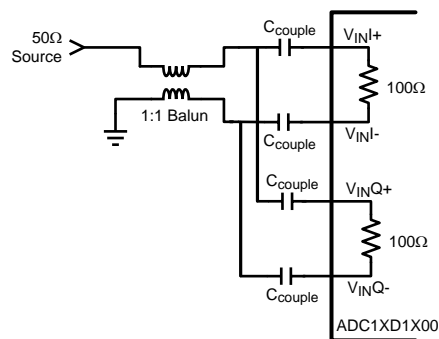


Figure 6-5. Driving DESIQ Mode

In the case that only one channel is used in Non-DES Mode or that the ADC is driven in DESI or DESQ Mode, the unused analog input should be terminated to reduce any noise coupling into the ADC. See [Table 6-9](#) for details.

Table 6-9. Unused Analog Input Recommended Termination

| Mode | Power Down | Coupling | Recommended Termination |
|-------------|------------|----------|--------------------------------|
| Non-DES | Yes | AC/DC | Tie Unused+ and Unused- to Vbg |
| DES/Non-DES | No | DC | Tie Unused+ and Unused- to Vbg |
| DES/Non-DES | No | AC | Tie Unused+ to Unused- |

6.4.1.3 FSR and the Reference Voltage

The full-scale analog differential input range (V_{IN_FSR}) of the ADC12D1800RF is derived from an internal bandgap reference. In Non-ECM, this full-scale range must be set by the logic-high setting of the FSR Pin; see [Full-Scale Input Range Pin \(FSR\)](#). The FSR Pin operates on both I- and Q-channels. In ECM, the full-scale range may be independently set for each channel via Addr:3h and Bh with 15 bits of precision; see [Register Definitions](#). The best SNR is obtained with a higher full-scale input range, but better distortion and SFDR are obtained with a lower full-scale input range. It is not possible to use an external analog reference voltage to modify the full-scale range, and this adjustment should only be done digitally, as described.

A buffered version of the internal bandgap reference voltage is made available at the V_{BG} Pin for the user. The V_{BG} pin can drive a load of up to 80 pF and source or sink up to 100 μ A. It should be buffered if more current than this is required. This pin remains as a constant reference voltage regardless of what full-scale range is selected and may be used for a system reference. V_{BG} is a dual-purpose pin and it may also be used to select a higher LVDS output common-mode voltage; see [LVDS Output Common-mode Pin \(VBG\)](#).

6.4.1.4 Out-Of-Range Indication

Differential input signals are digitized to 12 bits, based on the full-scale range. Signal excursions beyond the full-scale range, i.e. greater than $+V_{IN_FSR}/2$ or less than $-V_{IN_FSR}/2$, will be clipped at the output. An input signal which is above the FSR will result in all 1's at the output and an input signal which is below the FSR will result in all 0's at the output. When the conversion result is clipped for the I-channel input, the Out-of-Range I-channel (ORI) output is activated such that ORI+ goes high and ORI- goes low while the signal is out of range. This output is active as long as accurate data on either or both of the buses would be outside the range of 000h to FFFh. The Q-channel has a separate ORQ which functions similarly.

6.4.1.5 Maximum Input Range

The recommended operating and absolute maximum input range may be found in [Operating Ratings](#) and [Absolute Maximum Ratings](#), respectively. Under the stated allowed operating conditions, each Vin+ and Vin- input pin may be operated in the range from 0V to 2.15V if the input is a continuous 100% duty cycle signal and from 0V to 2.5V if the input is a 10% duty cycle signal. The absolute maximum input range for Vin+ and Vin- is from -0.15V to 2.5V. These limits apply only for input signals for which the input common mode voltage is properly maintained.

6.4.1.6 AC-coupled Input Signals

The ADC12D1800RF analog inputs require a precise common-mode voltage. This voltage is generated on-chip when AC-coupling Mode is selected. See [AC / DC-Coupled Mode Pin \(VCMO\)](#) for more information about how to select AC-coupled Mode.

In AC-coupled Mode, the analog inputs must of course be AC-coupled. For an ADC12D1800RF used in a typical application, this may be accomplished by on-board capacitors, as shown in [Figure 6-6](#). For the ADC12D1800RFRB, the SMA inputs on the Reference Board are directly connected to the analog inputs on the ADC12D1800RF, so this may be accomplished by DC blocks (included with the hardware kit).

When the AC-coupled Mode is selected, an analog input channel that is not used (e.g. in DES Mode) should be connected to AC ground, e.g. through capacitors to ground. Do not connect an unused analog input directly to ground.

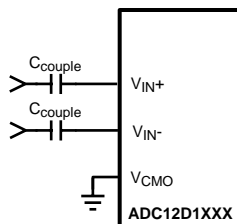


Figure 6-6. AC-coupled Differential Input

The analog inputs for the ADC12D1800RF are internally buffered, which simplifies the task of driving these inputs and the RC pole which is generally used at sampling ADC inputs is not required. If the user desires to place an amplifier circuit before the ADC, care should be taken to choose an amplifier with adequate noise and distortion performance, and adequate gain at the frequencies used for the application.

6.4.1.7 DC-coupled Input Signals

In DC-coupled Mode, the ADC12D1800RF differential inputs must have the correct common-mode voltage. This voltage is provided by the device itself at the V_{CMO} output pin. It is recommended to use this voltage because the V_{CMO} output potential will change with temperature and the common-mode voltage of the driving device should track this change. Full-scale distortion performance falls off as the input common mode voltage deviates from V_{CMO} . Therefore, it is recommended to keep the input common-mode voltage within 100 mV of V_{CMO} (typical), although this range may be extended to ± 150 mV (maximum). See V_{CMI} in [Converter Electrical Characteristics Analog Input / Output and Reference Characteristics](#) and ENOB vs. V_{CMI} in [Typical Performance Plots](#). Performance in AC- and DC-coupled Mode are similar, provided that the input common mode voltage at both analog inputs remains within 100 mV of V_{CMO} .

6.4.1.8 Single-Ended Input Signals

The analog inputs of the ADC12D1800RF are not designed to accept single-ended signals. The best way to handle single-ended signals is to first convert them to differential signals before presenting them to the ADC. The easiest way to accomplish single-ended to differential signal conversion is with an appropriate balun-transformer, as shown in [Figure 6-7](#).

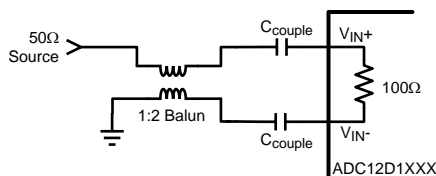


Figure 6-7. Single-Ended to Differential Conversion Using a Balun

When selecting a balun, it is important to understand the input architecture of the ADC. The impedance of the analog source should be matched to the ADC12D1800RF's on-chip 100Ω differential input termination resistor. The range of this termination resistor is specified as R_{IN} in [Converter Electrical Characteristics Analog Input / Output and Reference Characteristics](#).

6.4.2 THE CLOCK INPUTS

The ADC12D1800RF has a differential clock input, CLK+ and CLK-, which must be driven with an AC-coupled, differential clock signal. This provides the level shifting necessary to allow for the clock to be driven with LVDS, PECL, LVPECL, or CML levels. The clock inputs are internally terminated to 100Ω differential and self-biased. This section covers coupling, frequency range, level, duty-cycle, jitter, and layout considerations.

6.4.2.1 CLK Coupling

The clock inputs of the ADC12D1800RF must be capacitively coupled to the clock pins as indicated in Figure 6-8.

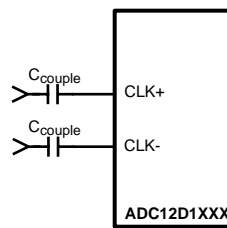


Figure 6-8. Differential Input Clock Connection

The choice of capacitor value will depend on the clock frequency, capacitor component characteristics and other system economic factors. For example, on the ADC12D1800RFRB, the capacitors have the value $C_{\text{couple}} = 4.7 \text{ nF}$ which yields a high pass cutoff frequency, $f_c = 677.2 \text{ kHz}$.

6.4.2.2 CLK Frequency

Although the ADC12D1800RF is tested and its performance is ensured with a differential 1.8 GHz sampling clock, it will typically function well over the input clock frequency range; see $f_{\text{CLK(min)}}$ and $f_{\text{CLK(max)}}$ in [Converter Electrical Characteristics AC Electrical Characteristics](#). Operation up to $f_{\text{CLK(max)}}$ is possible if the maximum ambient temperatures indicated are not exceeded. Operating at sample rates above $f_{\text{CLK(max)}}$ for the maximum ambient temperature may result in reduced device reliability and product lifetime. This is due to the fact that higher sample rates results in higher power consumption and die temperatures. If $f_{\text{CLK}} < 300 \text{ MHz}$, enable LFS in the Control Register (Addr: 0h, Bit 8).

6.4.2.3 CLK Level

The input clock amplitude is specified as $V_{\text{IN_CLK}}$ in [Converter Electrical Characteristics Sampling Clock Characteristics](#). Input clock amplitudes above the max $V_{\text{IN_CLK}}$ may result in increased input offset voltage. This would cause the converter to produce an output code other than the expected 2047/2048 when both input pins are at the same potential. Insufficient input clock levels will result in poor dynamic performance. Both of these results may be avoided by keeping the clock input amplitude within the specified limits of $V_{\text{IN_CLK}}$.

6.4.2.4 CLK Duty Cycle

The duty cycle of the input clock signal can affect the performance of any A/D converter. The ADC12D1800RF features a duty cycle clock correction circuit which can maintain performance over the 20%-to-80% specified clock duty-cycle range. This feature is enabled by default and provides improved ADC clocking, especially in the Dual-Edge Sampling (DES) Mode.

6.4.2.5 CLK Jitter

High speed, high performance ADCs such as the ADC12D1800RF require a very stable input clock signal with minimum phase noise or jitter. ADC jitter requirements are defined by the ADC resolution (number of bits), maximum ADC input frequency and the input signal amplitude relative to the ADC input full scale range. The maximum jitter (the sum of the jitter from all sources) allowed to prevent a jitter-induced reduction in SNR is found to be

$$t_{\text{J(MAX)}} = (V_{\text{IN(P-P)}} / V_{\text{FSR}}) \times (1 / (2^{(N+1)} \times \pi \times f_{\text{IN}})) \quad (3)$$

where $t_{\text{J(MAX)}}$ is the rms total of all jitter sources in seconds, $V_{\text{IN(P-P)}}$ is the peak-to-peak analog input signal, V_{FSR} is the full-scale range of the ADC, "N" is the ADC resolution in bits and f_{IN} is the maximum input frequency, in Hertz, at the ADC analog input.

$t_{J(MAX)}$ is the square root of the sum of the squares (RSS) sum of the jitter from all sources, including: the ADC input clock, system, input signals and the ADC itself. Since the effective jitter added by the ADC is beyond user control, it is recommended to keep the sum of all other externally added jitter to a minimum.

6.4.2.6 CLK Layout

The ADC12D1800RF clock input is internally terminated with a trimmed 100Ω resistor. The differential input clock line pair should have a characteristic impedance of 100Ω and (when using a balun), be terminated at the clock source in that (100Ω) characteristic impedance.

It is good practice to keep the ADC input clock line as short as possible, tightly coupled, keep it well away from any other signals, and treat it as a transmission line. Otherwise, other signals can introduce jitter into the input clock signal. Also, the clock signal can introduce noise into the analog path if it is not properly isolated.

6.4.3 THE LVDS OUTPUTS

The Data, ORI, ORQ, DCLKI and DCLKQ outputs are LVDS. The electrical specifications of the LVDS outputs are compatible with typical LVDS receivers available on ASIC and FPGA chips; but they are not IEEE or ANSI communications standards compliant due to the low +1.9V supply used on this chip. These outputs should be terminated with a 100Ω differential resistor placed as closely to the receiver as possible. If the 100Ω differential resistor is built in to the receiver, then an externally placed resistor is not necessary. This section covers common-mode and differential voltage, and data rate.

6.4.3.1 Common-mode and Differential Voltage

The LVDS outputs have selectable common-mode and differential voltage, V_{OS} and V_{OD} ; see [Converter Electrical Characteristics Digital Control and Output Pin Characteristics](#). See [Output Control and Adjust](#) for more information.

Selecting the higher V_{OS} will also increase V_{OD} slightly. The differential voltage, V_{OD} , may be selected for the higher or lower value. For short LVDS lines and low noise systems, satisfactory performance may be realized with the lower V_{OD} . This will also result in lower power consumption. If the LVDS lines are long and/or the system in which the ADC12D1800RF is used is noisy, it may be necessary to select the higher V_{OD} .

6.4.3.2 Output Data Rate

The data is produced at the output at the same rate it is sampled at the input. The minimum recommended input clock rate for this device is $f_{CLK(MIN)}$; see [Converter Electrical Characteristics AC Electrical Characteristics](#). However, it is possible to operate the device in 1:2 Demux Mode and capture data from just one 12-bit bus, e.g. just DI (or DI_d) although both DI and DI_d are fully operational. This will decimate the data by two and effectively halve the data rate.

6.4.3.3 Terminating Unused LVDS Output Pins

If the ADC is used in Non-Demux Mode, then only the DI and DQ data outputs will have valid data present on them. The DI_d and DQ_d data outputs may be left not connected; if unused, they are internally at TRI-STATE.

Similarly, if the Q-channel is powered-down (i.e. PDQ is logic-high), the DQ data output pins, DCLKQ and ORQ may be left not connected.

6.4.4 SYNCHRONIZING MULTIPLE ADC12D1800RFS IN A SYSTEM

The ADC12D1800RF has two features to assist the user with synchronizing multiple ADCs in a system; AutoSync and DCLK Reset. The AutoSync feature and designates one ADC12D1800RF as the Master ADC and other ADC12D1800RFs in the system as Slave ADCs. The DCLK Reset feature performs the same function as the AutoSync feature, but is the first generation solution to synchronizing multiple ADCs in a system; it is disabled by default. For the application in which there are multiple Master and Slave ADC12D1800RFs in a system, AutoSync may be used to synchronize the Slave ADC12D1800RF(s) to each respective Master ADC12D1800RF and the DCLK Reset may be used to synchronize the Master ADC12D1800RFs to each other.

If the AutoSync or DCLK Reset feature is not used, see [Table 6-10](#) for recommendations about terminating unused pins.

Table 6-10. Unused AutoSync and DCLK Reset Pin Recommendation

| Pin(s) | Unused termination |
|-----------|---|
| RCLK+/- | Do not connect. |
| RCOUT1+/- | Do not connect. |
| RCOUT2+/- | Do not connect. |
| DCLK_RST+ | Connect to GND via 1kΩ resistor. |
| DCLK_RST- | Connect to V _A via 1kΩ resistor. |

6.4.4.1 AutoSync Feature

AutoSync is a feature which continuously synchronizes the outputs of multiple ADC12D1800RFs in a system. It may be used to synchronize the DCLK and data outputs of one or more Slave ADC12D1800RFs to one Master ADC12D1800RF. Several advantages of this feature include: no special synchronization pulse required, any upset in synchronization is recovered upon the next DCLK cycle, and the Master / Slave ADC12D1800RFs may be arranged as a binary tree so that any upset will quickly propagate out of the system.

An example system is shown below in [Figure 6-9](#) which consists of one Master ADC and two Slave ADCs. For simplicity, only one DCLK is shown; in reality, there is DCLKI and DCLKQ, but they are always in phase with one another.

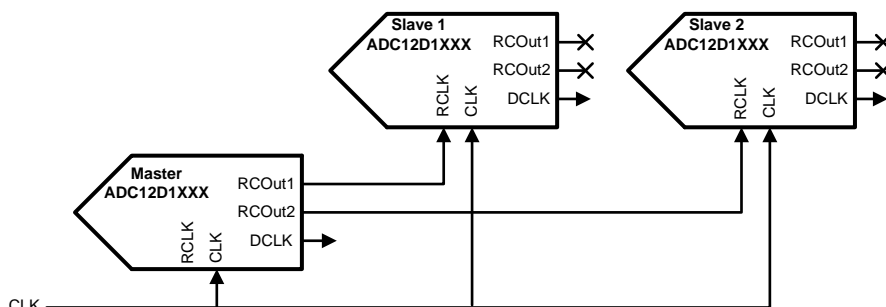


Figure 6-9. AutoSync Example

In order to synchronize the DCLK (and Data) outputs of multiple ADCs, the DCLKs must transition at the same time, as well as be in phase with one another. The DCLK at each ADC is generated from the CLK after some latency, plus t_{OD} minus t_{AD} . Therefore, in order for the DCLKs to transition at the same time, the CLK signal must reach each ADC at the same time. To tune out any differences in the CLK path to each ADC, the t_{AD} adjust feature may be used. However, using the t_{AD} adjust feature will also affect when the DCLK is produced at the output. If the device is in Demux Mode, then there are four possible phases which each DCLK may be generated on because the typical CLK = 1.8 GHz and DCLK = 450 MHz for this case. The RCLK signal controls the phase of the DCLK, so that each Slave DCLK is on the same phase as the Master DCLK.

The AutoSync feature may only be used via the Control Registers. For more information, see [AN-2132](#).

6.4.4.2 DCLK Reset Feature

The DCLK reset feature is available via ECM, but it is disabled by default. DCLKI and DCLKQ are always synchronized, by design, and do not require a pulse from DCLK_RST to become synchronized.

The DCLK_RST signal must observe certain timing requirements, which are shown in [Figure 4-7](#) of the Timing Diagrams. The DCLK_RST pulse must be of a minimum width and its deassertion edge must observe setup and hold times with respect to the CLK input rising edge. These timing specifications are listed as t_{PWR} , t_{SR} and t_{HR} and may be found in [Converter Electrical Characteristics AC Electrical Characteristics](#).

The DCLK_RST signal can be asserted asynchronously to the input clock. If DCLK_RST is asserted, the DCLK output is held in a designated state (logic-high) in Demux Mode; in Non-Demux Mode, the DCLK continues to function normally. Depending upon when the DCLK_RST signal is asserted, there may be a narrow pulse on the DCLK line during this reset event. When the DCLK_RST signal is de-asserted, there are t_{SYNC_DLY} CLK cycles of systematic delay and the next CLK rising edge synchronizes the DCLK output with those of other ADC12D1800RFs in the system. For 90° Mode (DDRPh = logic-high), the synchronizing edge occurs on the rising edge of CLK, 4 cycles after the first rising edge of CLK after DCLK_RST is released. For 0° Mode (DDRPh = logic-low), this is 5 cycles instead. The DCLK output is enabled again after a constant delay of t_{OD} .

For both Demux and Non-Demux Modes, there is some uncertainty about how DCLK comes out of the reset state for the first DCLK_RST pulse. For the second (and subsequent) DCLK_RST pulses, the DCLK will come out of the reset state in a known way. Therefore, if using the DCLK Reset feature, it is recommended to apply one "dummy" DCLK_RST pulse before using the second DCLK_RST pulse to synchronize the outputs. This recommendation applies each time the device or channel is powered-on.

When using DCLK_RST to synchronize multiple ADC12D1800RFs, it is required that the Select Phase bits in the Control Register (Addr: Eh, Bits 3,4) be the same for each Master ADC12D1800RF.

6.4.5 SUPPLY / GROUNDING, LAYOUT AND THERMAL RECOMMENDATIONS

6.4.5.1 Power Planes

All supply buses for the ADC should be sourced from a common linear voltage regulator. This ensures that all power buses to the ADC are turned on and off simultaneously. This single source will be split into individual power sections of the power plane, with individual decoupling and connection to the different power supply buses of the ADC. Due to the low voltage but relatively high supply current requirement, the optimal solution may be to use a switching regulator to provide an intermediate low voltage, which is then regulated down to the final ADC supply voltage by a linear regulator. Please refer to the documentation provided for the ADC12D1800RFB for additional details on specific regulators that are recommended for this configuration.

Power for the ADC should be provided through a broad plane which is located on one layer adjacent to the ground plane(s). Placing the power and ground planes on adjacent layers will provide low impedance decoupling of the ADC supplies, especially at higher frequencies. The output of a linear regulator should feed into the power plane through a low impedance multi-via connection. The power plane should be split into individual power peninsulas near the ADC. Each peninsula should feed a particular power bus on the ADC, with decoupling for that power bus connecting the peninsula to the ground plane near each power / ground pin pair. Using this technique can be difficult on many printed circuit CAD tools. To work around this, zero ohm resistors can be used to connect the power source net to the individual nets for the different ADC power buses. As a final step, the zero ohm resistors can be removed and the plane and peninsulas can be connected manually after all other error checking is completed.

6.4.5.2 Bypass Capacitors

The general recommendation is to have one 100nF capacitor for each power / ground pin pair. The capacitors should be surface mount multi-layer ceramic chip capacitors similar to Panasonic part number ECJ-0EB1A104K.

6.4.5.3 Ground Planes

Grounding should be done using continuous full ground planes to minimize the impedance for all ground return paths, and provide the shortest possible image/return path for all signal traces.

6.4.5.4 Power System Example

The ADC12D1800RFRB uses continuous ground planes (except where clear areas are needed to provide appropriate impedance management for specific signals), see [Figure 6-10](#). Power is provided on one plane, with the 1.9V ADC supply being split into multiple zones or peninsulas for the specific power buses of the ADC. Decoupling capacitors are connected between these power bus peninsulas and the adjacent ground planes using vias. The capacitors are located as close to the individual power / ground pin pairs of the ADC as possible. In most cases, this means the capacitors are located on the opposite side of the PCB to the ADC.

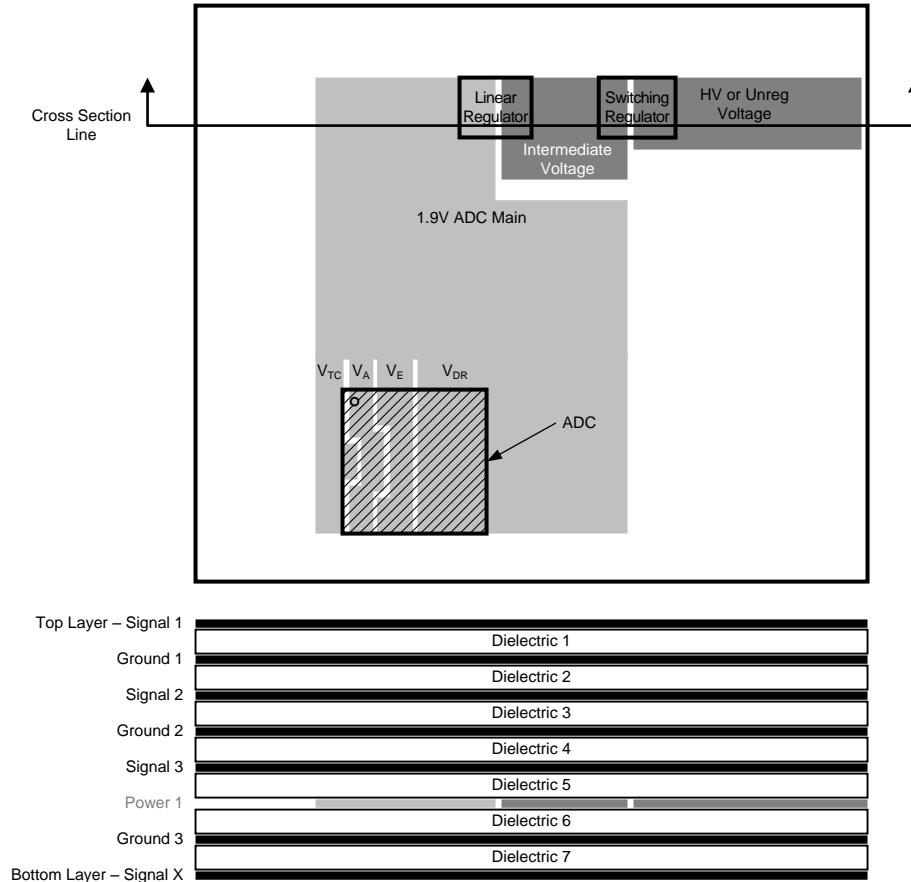


Figure 6-10. Power and Grounding Example

6.4.5.5 Thermal Management

The Heat Slug Ball Grid Array (HSBGA) package is a modified version of the industry standard plastic BGA (Ball Grid Array) package. Inside the package, a copper heat spreader cap is attached to the substrate top with exposed metal in the center top area of the package. This results in a 20% improvement (typical) in thermal performance over the standard plastic BGA package.

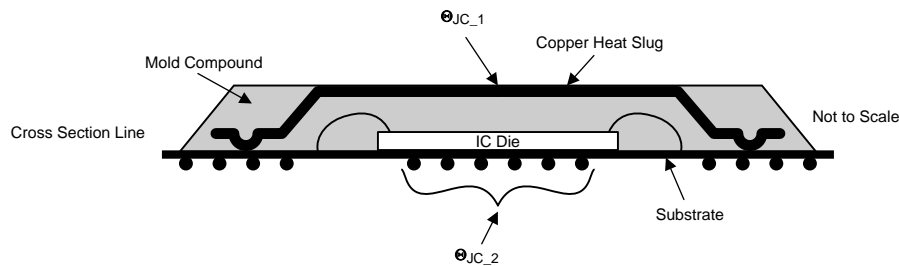


Figure 6-11. HSBGA Conceptual Drawing

The center balls are connected to the bottom of the die by vias in the package substrate, Figure 6-11. This gives a low thermal resistance between the die and these balls. Connecting these balls to the PCB ground planes with a low thermal resistance path is the best way to dissipate the heat from the ADC. These pins should also be connected to the ground plane via a low impedance path for electrical purposes. The direct connection to the ground planes is an easy method to spread heat away from the ADC. Along with the ground plane, the parallel power planes will provide additional thermal dissipation.

The center ground balls should be soldered down to the recommended ball pads (See [AN-1126](#)). These balls will have wide traces which in turn have vias which connect to the internal ground planes, and a bottom ground pad / pour if possible. This ensures a good ground is provided for these balls, and that the optimal heat transfer will occur between these balls and the PCB ground planes.

In spite of these package enhancements, analysis using the standard JEDEC JESD51-7 four-layer PCB thermal model shows that ambient temperatures must be limited to a max of 65°C to ensure a safe operating junction temperature for the ADC12D1800RF. However, most applications using the ADC12D1800RF will have a printed circuit board which is more complex than that used in JESD51-7. Typical circuit boards will have more layers than the JESD51-7 (eight or more), several of which will be used for ground and power planes. In those applications, the thermal resistance parameters of the ADC12D1800RF and the circuit board can be used to determine the actual safe ambient operating temperature up to a maximum of 85°C.

Three key parameters are provided to allow for modeling and calculations. Because there are two main thermal paths between the ADC die and external environment, the thermal resistance for each of these paths is provided. θ_{JC1} represents the thermal resistance between the die and the exposed metal area on the top of the HSBGA package. θ_{JC2} represents the thermal resistance between the die and the center group of balls on the bottom of the HSBGA package. The final parameter is the allowed maximum junction temperature, which is T_J .

In other applications, a heat sink or other thermally conductive path can be added to the top of the HSBGA package to remove heat. In those cases, θ_{JC1} can be used along with the thermal parameters for the heat sink or other thermal coupling added. Representative heat sinks which might be used with the ADC12D1800RF include the Cool Innovations p/n 3-1212XXG and similar products from other vendors. In many applications, the printed circuit board will provide the primary thermal path conducting heat away from the ADC package. In those cases, θ_{JC2} can be used in conjunction with printed circuit board thermal modeling software to determine the allowed operating conditions that will maintain the die temperature below the maximum allowable limit. Additional dissipation can be achieved by coupling a heat sink to the copper pour area on the bottom side of the printed circuit board.

Typically, dissipation will occur through one predominant thermal path. In these cases, the following calculations can be used to determine the maximum safe ambient operating temperature:

$$T_J = T_A + P_D \times (\theta_{JC} + \theta_{CA})$$

$$T_J = T_A + P_{C(MAX)} \times (\theta_{JC} + \theta_{CA})$$

For θ_{JC} , the value for the primary thermal path in the given application environment should be used (θ_{JC1} or θ_{JC2}). θ_{CA} is the thermal resistance from the case to ambient, which would typically be that of the heat sink used. Using this relationship and the desired ambient temperature, the required heat sink thermal resistance can be found. Alternately, the heat sink thermal resistance can be used to find the maximum ambient temperature. For more complex systems, thermal modeling software can be used to evaluate the printed circuit board system and determine the expected junction temperature given the total system dissipation and ambient temperature.

6.4.6 SYSTEM POWER-ON CONSIDERATIONS

There are a couple important topics to consider associated with the system power-on event including configuration and calibration, and the Data Clock.

6.4.6.1 Power-on, Configuration, and Calibration

Following the application of power to the ADC12D1800RF, several events must take place before the output from the ADC12D1800RF is valid and at full performance; at least one full calibration must be executed with the device configured in the desired mode.

Following the application of power to the ADC12D1800RF, there is a delay of t_{CalDly} and then the Power-on Calibration is executed. This is why it is recommended to set the CalDly Pin via an external pull-up or pull-down resistor. This ensured that the state of that input will be properly set at the same time that power is applied to the ADC and t_{CalDly} will be a known quantity. For the purpose of this section, it is assumed that CalDly is set as recommended.

The Control Bits or Pins must be set or written to configure the ADC12D1800RF in the desired mode. This must take place via either Extended Control Mode or Non-ECM (Pin Control Mode) before subsequent calibrations will yield an output at full performance in that mode. Some examples of modes include DES/Non-DES Mode, Demux/Non-demux Mode, and Full-Scale Range.

The simplest case is when device is in Non-ECM and the Control Pins are set by pull-up / down resistors, see Figure 6-12. For this case, the settings to the Control Pins ramp concurrently to the ADC voltage. Following the delay of t_{CalDly} and the calibration execution time, t_{CAL} , the output of the ADC12D1800RF is valid and at full performance. If it takes longer than t_{CalDly} for the system to stabilize at its operating temperature, it is recommended to execute an on-command calibration at that time.

Another case is when the FPGA configures the Control Pins (Non-ECM) or writes to the SPI (ECM), see Figure 6-13. It is always necessary to comply with the Operating Ratings and Absolute Maximum ratings, i.e. the Control Pins may not be driven below the ground or above the supply, regardless of what the voltage currently applied to the supply is. Therefore, it is not recommended to write to the Control Pins or SPI before power is applied to the ADC12D1800RF. As long as the FPGA has completed writing to the Control Pins or SPI, the Power-on Calibration will result in a valid output at full performance. Once again, if it takes longer than t_{CalDly} for the system to stabilize at its operating temperature, it is recommended to execute an on-command calibration at that time.

Due to system requirements, it may not be possible for the FPGA to write to the Control Pins or SPI before the Power-on Calibration takes place, see Figure 6-14. It is not critical to configure the device before the Power-on Calibration, but it is critical to realize that the output for such a case is not at its full performance. Following an On-command Calibration, the device will be at its full performance.

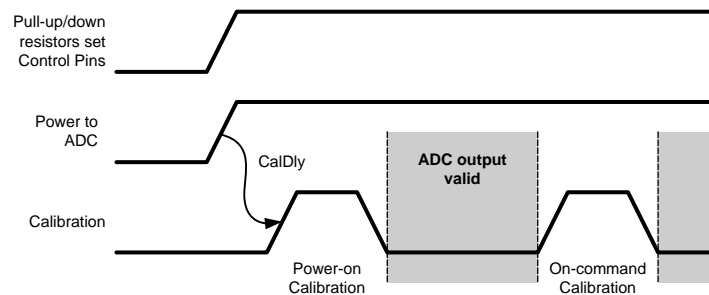


Figure 6-12. Power-on with Control Pins set by Pull-up / down Resistors

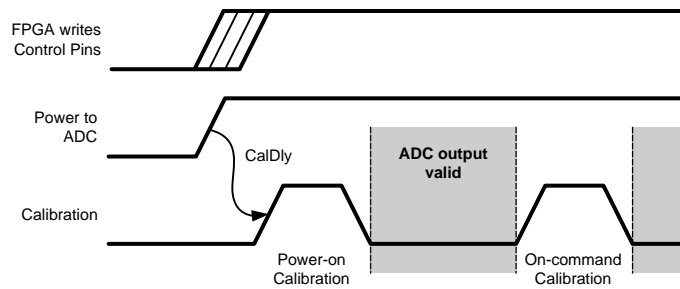


Figure 6-13. Power-on with Control Pins set by FPGA pre Power-on Cal

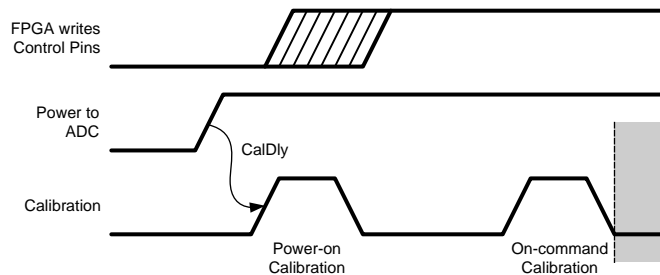


Figure 6-14. Power-on with Control Pins set by FPGA post Power-on Cal

6.4.6.2 Power-on and Data Clock (DCLK)

Many applications use the DCLK output for a system clock. For the ADC12D1800RF, each I- and Q-channel has its own DCLKI and DCLKQ, respectively. The DCLK output is always active, unless that channel is powered-down or the DCLK Reset feature is used while the device is in Demux Mode. As the supply to the ADC12D1800RF ramps, the DCLK also comes up, see this example from the ADC12D1800RFRB: [Figure 6-15](#). While the supply is too low, there is no output at DCLK. As the supply continues to ramp, DCLK functions intermittently with irregular frequency, but the amplitude continues to track with the supply. Much below the low end of operating supply range of the ADC12D1800RF, the DCLK is already fully operational.

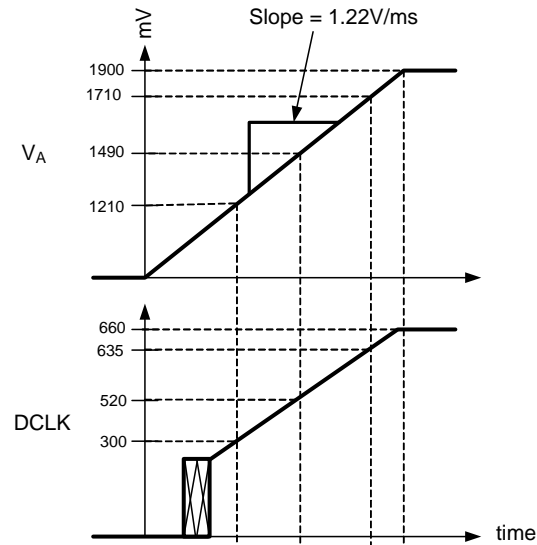


Figure 6-15. Supply and DCLK Ramping

6.4.7 RECOMMENDED SYSTEM CHIPS

TI recommends these other chips including temperature sensors, clocking devices, and amplifiers in order to support the ADC12D1800RF in a system design.

6.4.7.1 Temperature Sensor

The ADC12D1800RF has an on-die temperature diode connected to pins Tdiode+/- which may be used to monitor the die temperature. TI also provides a family of temperature sensors for this application which monitor different numbers of external devices, see [Table 6-11](#).

Table 6-11. Temperature Sensor Recommendation

| Number of External Devices Monitored | Recommended Temperature Sensor |
|--------------------------------------|--------------------------------|
| 1 | LM95235 |
| 2 | LM95213 |
| 4 | LM95214 |

The temperature sensor (LM95235/13/14) is an 11-bit digital temperature sensor with a 2-wire System Management Bus (SMBus) interface that can monitor the temperature of one, two, or four remote diodes as well as its own temperature. It can be used to accurately monitor the temperature of up to one, two, or four external devices such as the ADC12D1800RF, a FPGA, other system components, and the ambient temperature.

The temperature sensor reports temperature in two different formats for +127.875°C/-128°C range and 0°/255°C range. It has a Sigma-Delta ADC core which provides the first level of noise immunity. For improved performance in a noisy environment, the temperature sensor includes programmable digital filters for Remote Diode temperature readings. When the digital filters are invoked, the resolution for the Remote Diode readings increases to 0.03125°C. For maximum flexibility and best accuracy, the temperature sensor includes offset registers that allow calibration for other types of diodes.

Diode fault detection circuitry in the temperature sensor can detect the absence or fault state of a remote diode: whether D+ is shorted to the power supply, D- or ground, or floating.

In the following typical application, the LM95213 is used to monitor the temperature of an ADC12D1800RF as well as an FPGA, see Figure 6-16. If this feature is unused, the Tdiode+/- pins may be left floating.

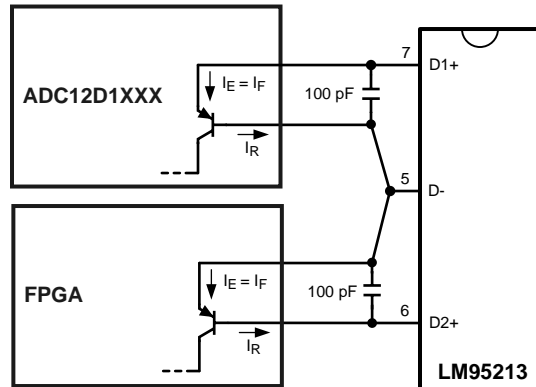


Figure 6-16. Typical Temperature Sensor Application

6.4.7.2 Clocking Device

The clock source can be a PLL/VCO device such as the LMX2531LQxxx family of products. The specific device should be selected according to the desired ADC sampling clock frequency. The ADC12D1800RFRB uses the LMX2531LQ1778E, with the ADC clock source provided by the Aux PLL output. Other devices which may be considered based on clock source, jitter cleaning, and distribution purposes are the LMK01XXX, LMK02XXX, LMK03XXX and LMK04XXX product families.

6.4.7.3 Amplifiers for Analog Input

The following amplifiers can be used for ADC12D1800RF applications which require DC coupled input or signal gain, neither of which can be provided with a transformer coupled input circuit:

Table 6-12. Amplifier Recommendation

| Amplifier | Bandwidth | Brief features |
|-----------|-----------|------------------------------------|
| LMH6552 | 1.5 GHz | Configurable gain |
| LMH6553 | 900 MHz | Output clamp and configurable gain |
| LMH6554 | 2.8 GHz | Configurable gain |
| LMH6555 | 1.2 GHz | Fixed gain |

6.4.7.4 Balun Recommendations for Analog Input

The following baluns are recommended for the ADC12D1800RF for applications which require no gain. When evaluating a balun for the application of driving an ADC, some important qualities to consider are phase error and magnitude error.

Table 6-13. Balun Recommendations

| Balun | Bandwidth |
|---------------------------|----------------|
| Mini-Circuits TC1-1-13MA+ | 4.5 - 3000 MHz |
| Anaren B0430J50100A00 | 400 - 3000 MHz |
| Mini-Circuits ADTL2-18 | 30 - 1800 MHz |

6.5 Register Definitions

Twelve read / write registers provide several control and configuration options in the Extended Control Mode. These registers have no effect when the device is in the Non-extended Control Mode. Each register description below also shows the Power-On Reset (POR) state of each control bit. See [Table 6-14](#) for a summary. For a description of the functionality and timing to read / write the control registers, see [The Serial Interface](#).

NOTE

Register 6h must be written to 1C0Eh for the device to perform at full rated performance for Fclk > 1.6GHz.

Table 6-14. Register Addresses

| A3 | A2 | A1 | A0 | Hex | Register Addressed |
|----|----|----|----|-----|------------------------------|
| 0 | 0 | 0 | 0 | 0h | Configuration Register 1 |
| 0 | 0 | 0 | 1 | 1h | Reserved |
| 0 | 0 | 1 | 0 | 2h | I-channel Offset |
| 0 | 0 | 1 | 1 | 3h | I-channel Full-Scale Range |
| 0 | 1 | 0 | 0 | 4h | Calibration Adjust |
| 0 | 1 | 0 | 1 | 5h | Calibration Values |
| 0 | 1 | 1 | 0 | 6h | Bias Adjust |
| 0 | 1 | 1 | 1 | 7h | DES Timing Adjust |
| 1 | 0 | 0 | 0 | 8h | Reserved |
| 1 | 0 | 0 | 1 | 9h | Reserved |
| 1 | 0 | 1 | 0 | Ah | Q-channel Offset |
| 1 | 0 | 1 | 1 | Bh | Q-channel Full-Scale Range |
| 1 | 1 | 0 | 0 | Ch | Aperture Delay Coarse Adjust |
| 1 | 1 | 0 | 1 | Dh | Aperture Delay Fine Adjust |
| 1 | 1 | 1 | 0 | Eh | AutoSync |
| 1 | 1 | 1 | 1 | Fh | Reserved |

Table 6-15. Configuration Register 1

| Addr: 0h (0000b) | | | | | | | | | POR state: 2000h | | | | | | | |
|------------------|--|-----|-----|-----|-----|-----|-----|-----|------------------|-----|-----|-----|-----|-----|-----|---|
| Bit | 15 | 14 | 13 | 12 | 11 | 10 | 9 | 8 | 7 | 6 | 5 | 4 | 3 | 2 | 1 | 0 |
| Name | CAL | DPS | OVS | TPM | PDI | PDQ | Res | LFS | DES | DEQ | DIQ | 2SC | TSE | SDR | Res | |
| POR | 0 | 0 | 1 | 0 | 0 | 0 | 0 | 0 | 0 | 0 | 0 | 0 | 0 | 0 | 0 | 0 |
| Bit 15 | CAL: Calibration Enable. When this bit is set to 1b , an on-command calibration is initiated. This bit is not reset automatically upon completion of the calibration. Therefore, the user must reset this bit to 0b and then set it to 1b again to execute another calibration. This bit is logically OR'd with the CAL Pin; both bit and pin must be set to 0b before either is used to execute a calibration. ⁽¹⁾ | | | | | | | | | | | | | | | |
| Bit 14 | DPS: DCLK Phase Select. In DDR Mode, set this bit to 0b to select the 0° Mode DDR Data-to-DCLK phase relationship and to 1b to select the 90° Mode. In SDR Mode, set this bit to 0b to transition the data on the Rising edge of DCLK; set this bit to 1b to transition the data on the Falling edge of DCLK. | | | | | | | | | | | | | | | |
| Bit 13 | OVS: Output Voltage Select. This bit sets the differential voltage level for the LVDS outputs including Data, OR, and DCLK. 0b selects the lower level and 1b selects the higher level. See V _{OD} in Converter Electrical Characteristics Digital Control and Output Pin Characteristics for details. | | | | | | | | | | | | | | | |
| Bit 12 | TPM: Test Pattern Mode. When this bit is set to 1b , the device will continually output a fixed digital pattern at the digital Data and OR outputs. When set to 0b , the device will continually output the converted signal, which was present at the analog inputs. See Test Pattern Mode for details about the TPM pattern. | | | | | | | | | | | | | | | |

(1) This pin / bit functionality is not tested in production test; performance is tested in the specified / default mode only.

| | | | |
|--------------|---|--------------------|-----------------|
| Bit 11 | PDI: Power-down I-channel. When this bit is set to 0b, the I-channel is fully operational; when it is set to 1b, the I-channel is powered-down. The I-channel may be powered-down via this bit or the PDI Pin, which is active, even in ECM. | | |
| Bit 10 | PDQ: Power-down Q-channel. When this bit is set to 0b, the Q-channel is fully operational; when it is set to 1b, the Q-channel is powered-down. The Q-channel may be powered-down via this bit or the PDQ Pin, which is active, even in ECM. | | |
| Bit 9 | Reserved. Must be set to 0b. | | |
| Bit 8 | LFS: Low-Frequency Select. If the sampling clock (CLK) is at or below 300 MHz, set this bit to 1b for improved performance. | | |
| Bit 7 | DES: Dual-Edge Sampling Mode select. When this bit is set to 0b, the device will operate in the Non-DES Mode; when it is set to 1b, the device will operate in the DES Mode. See DES/Non-DES Mode for more information. | | |
| Bit 6 | DEQ: DES Q-input select, a.k.a. DESQ Mode. When the device is in DES Mode, this bit selects the input that the device will operate on. The default setting of 0b selects the I-input and 1b selects the Q-input. | | |
| Bit 5 | DIQ: DES I- and Q-input, a.k.a. DESIQ Mode. When in DES Mode, setting this bit to 1b shorts the I- and Q-inputs internally to the device. If the bit is left at its default 0b, the I- and Q-inputs remain electrically separate. To operate the device in DESIQ Mode, Bits<7:5> must be set to 101b. In this mode, both the I- and Q-inputs must be externally driven; see DES/Non-DES Mode for more information. The allowed DES Modes settings are shown below: For DESCLKIQ Mode, see Addr Eh. | | |
| | Mode | Addr 0h, Bits<7:5> | Addr Eh, Bit<6> |
| | Non-DES Mode | 000b | 0b |
| | DESI Mode | 100b | 0b |
| | DESQ Mode | 110b | 0b |
| | DESIQ Mode | 101b | 0b |
| DESKLIQ Mode | 000b | 1b | |
| Bit 4 | 2SC: Two's Complement output. For the default setting of 0b, the data is output in Offset Binary format; when set to 1b, the data is output in Two's Complement format. ⁽²⁾ | | |
| Bit 3 | TSE: Time Stamp Enable. For the default setting of 0b, the Time Stamp feature is not enabled; when set to 1b, the feature is enabled. See Output Control and Adjust for more information about this feature. | | |
| Bit 2 | SDR: Single Data Rate. For the default setting of 0b, the data is clocked in Dual Data Rate; when set to 1b, the data is clocked in Single Data Rate. See Output Control and Adjust for more information about this feature. Note that for Non-Demux Mode, only 0° DDR Mode is available. See Table 6-5 for a selection of available modes. | | |
| Bits 1:0 | Reserved. Must be set as shown. | | |

(2) This pin / bit functionality is not tested in production test; performance is tested in the specified / default mode only.

Table 6-16. Reserved

| | | | | | | | | | | | | | | | | |
|------------------|---------------------------------|----|----|----|----|----|---|---|------------------|---|---|---|---|---|---|---|
| Addr: 1h (0001b) | | | | | | | | | POR state: 2907h | | | | | | | |
| Bit | 15 | 14 | 13 | 12 | 11 | 10 | 9 | 8 | 7 | 6 | 5 | 4 | 3 | 2 | 1 | 0 |
| Name | Res | | | | | | | | | | | | | | | |
| POR | 0 | 0 | 1 | 0 | 1 | 0 | 0 | 1 | 0 | 0 | 0 | 0 | 0 | 1 | 1 | 1 |
| Bits 15:0 | Reserved. Must be set as shown. | | | | | | | | | | | | | | | |

Table 6-17. I-channel Offset Adjust

| | | | | | | | | | | | | | | | | |
|------------------|--|----|----|----|----|----|----------|---|------------------|---|---|---|---|---|---|---|
| Addr: 2h (0010b) | | | | | | | | | POR state: 0000h | | | | | | | |
| Bit | 15 | 14 | 13 | 12 | 11 | 10 | 9 | 8 | 7 | 6 | 5 | 4 | 3 | 2 | 1 | 0 |
| Name | Res | | | | OS | | OM(11:0) | | | | | | | | | |
| POR | 0 | 0 | 0 | 0 | 0 | 0 | 0 | 0 | 0 | 0 | 0 | 0 | 0 | 0 | 0 | 0 |
| Bits 15:13 | Reserved. Must be set to 0b. | | | | | | | | | | | | | | | |
| Bit 12 | OS: Offset Sign. The default setting of 0b incurs a positive offset of a magnitude set by Bits 11:0 to the ADC output. Setting this bet to 1b incurs a negative offset of the set magnitude. | | | | | | | | | | | | | | | |
| Bits 11:0 | OM(11:0): Offset Magnitude. These bits determine the magnitude of the offset set at the ADC output (straight binary coding). The range is from 0 mV for OM(11:0) = 0d to 45 mV for OM(11:0) = 4095d in steps of ~11 μV. Monotonicity is specified by design only for the 9 MSBs. | | | | | | | | | | | | | | | |
| | Code | | | | | | | | Offset [mV] | | | | | | | |
| | 0000 0000 0000 (default) | | | | | | | | 0 | | | | | | | |
| | 1000 0000 0000 | | | | | | | | 22.5 | | | | | | | |
| | 1111 1111 1111 | | | | | | | | 45 | | | | | | | |

Table 6-18. I-channel Full Scale Range Adjust

| Addr: 3h (0011b) | | | | | | | | | POR state: 4000h | | | | | | | |
|------------------|--|----------|----|----|----|----|---|---|------------------|---|---|---|---|---|---|---|
| Bit | 15 | 14 | 13 | 12 | 11 | 10 | 9 | 8 | 7 | 6 | 5 | 4 | 3 | 2 | 1 | 0 |
| Name | Res | FM(14:0) | | | | | | | | | | | | | | |
| POR | 0 | 1 | 0 | 0 | 0 | 0 | 0 | 0 | 0 | 0 | 0 | 0 | 0 | 0 | 0 | 0 |
| Bit 15 | Reserved. Must be set to 0b. | | | | | | | | | | | | | | | |
| Bits 14:0 | FM(14:0): FSR Magnitude. These bits increase the ADC full-scale range magnitude (straight binary coding.) The allowable range is from 800 mV (16384d) to 1000 mV (32767d) with the default setting at 800 mV (16384d). Monotonicity is specified by design only for the 9 MSBs. A greater range of FSR values is available in ECM, i.e. FSR values above 800 mV. See V_{IN_FSR} in Converter Electrical Characteristics Analog Input / Output and Reference Characteristics for characterization details. | | | | | | | | | | | | | | | |
| | Code | | | | | | | | FSR [mV] | | | | | | | |
| | 100 0000 0000 0000 (default) | | | | | | | | 800 | | | | | | | |
| | 111 1111 1111 1111 | | | | | | | | 1000 | | | | | | | |

Table 6-19. Calibration Adjust⁽¹⁾

| Addr: 4h (0100b) | | | | | | | | | POR state: DB4Bh | | | | | | | |
|------------------|-----|-----|-----|----|----|----|---|---|------------------|-----|---|---|---|---|---|---|
| Bit | 15 | 14 | 13 | 12 | 11 | 10 | 9 | 8 | 7 | 6 | 5 | 4 | 3 | 2 | 1 | 0 |
| Name | Res | CSS | Res | | | | | | SSC | Res | | | | | | |
| POR | 1 | 1 | 0 | 1 | 1 | 0 | 1 | 1 | 0 | 1 | 0 | 0 | 1 | 0 | 1 | 1 |

(1) This feature functionality is not tested in production test; performance is tested in the specified / default mode only.

| | | | | | | | | | | | | | | | | |
|-----------|--|--|--|--|--|--|--|--|--|--|--|--|--|--|--|--|
| Bit 15 | Reserved. Must be set as shown. | | | | | | | | | | | | | | | |
| Bit 14 | CSS: Calibration Sequence Select. The default 1b selects the following calibration sequence: reset all previously calibrated elements to nominal values, do R_{IN} Calibration, do internal linearity Calibration. Setting CSS = 0b selects the following calibration sequence: do not reset R_{IN} to its nominal value, skip R_{IN} calibration, do internal linearity Calibration. The calibration must be completed at least one time with CSS = 1b to calibrate R_{IN} . Subsequent calibrations may be run with CSS = 0b (skip R_{IN} calibration) or 1b (full R_{IN} and internal linearity Calibration). | | | | | | | | | | | | | | | |
| Bits 13:8 | Reserved. Must be set as shown. | | | | | | | | | | | | | | | |
| Bit 7 | SSC: SPI Scan Control. Setting this control bit to 1b allows the calibration values, stored in Addr: 5h, to be read / written. When not reading / writing the calibration values, this control bit should left at its default 0b setting. See Calibration Feature for more information. | | | | | | | | | | | | | | | |
| Bits 6:0 | Reserved. Must be set as shown. | | | | | | | | | | | | | | | |

Table 6-20. Calibration Values⁽¹⁾

| Addr: 5h (0101b) | | | | | | | | | POR state: XXXXh | | | | | | | |
|------------------|----------|----|----|----|----|----|---|---|------------------|---|---|---|---|---|---|---|
| Bit | 15 | 14 | 13 | 12 | 11 | 10 | 9 | 8 | 7 | 6 | 5 | 4 | 3 | 2 | 1 | 0 |
| Name | SS(15:0) | | | | | | | | | | | | | | | |
| POR | X | X | X | X | X | X | X | X | X | X | X | X | X | X | X | X |

(1) This feature functionality is not tested in production test; performance is tested in the specified / default mode only.

| | | | | | | | | | | | | | | | | |
|-----------|--|--|--|--|--|--|--|--|--|--|--|--|--|--|--|--|
| Bits 15:0 | SS(15:0): SPI Scan. When the ADC performs a self-calibration, the values for the calibration are stored in this register and may be read from/ written to it. Set SSC (Addr: 4h, Bit 7) to read / write. See Calibration Feature for more information. | | | | | | | | | | | | | | | |
|-----------|--|--|--|--|--|--|--|--|--|--|--|--|--|--|--|--|

Table 6-21. Bias Adjust

| | | | | | | | | | | | | | | | | |
|------------------|--|----|----|----|----|----|---|---|------------------|---|---|---|---|---|---|---|
| Addr: 6h (0110b) | | | | | | | | | POR state: 1C2Eh | | | | | | | |
| Bit | 15 | 14 | 13 | 12 | 11 | 10 | 9 | 8 | 7 | 6 | 5 | 4 | 3 | 2 | 1 | 0 |
| Name | MPA(15:0) | | | | | | | | | | | | | | | |
| POR | 0 | 0 | 0 | 1 | 1 | 1 | 0 | 0 | 0 | 0 | 1 | 0 | 1 | 1 | 1 | 0 |
| Bits 15:0 | MPA(15:0): Max Power Adjust. This register must be written to 1C0Eh to achieve full rated performance for Fclk > 1.6GHz. | | | | | | | | | | | | | | | |

Table 6-22. DES Timing Adjust

| | | | | | | | | | | | | | | | | |
|------------------|--|----|----|----|----|----|---|---|------------------|---|---|---|---|---|---|---|
| Addr: 7h (0111b) | | | | | | | | | POR state: 8142h | | | | | | | |
| Bit | 15 | 14 | 13 | 12 | 11 | 10 | 9 | 8 | 7 | 6 | 5 | 4 | 3 | 2 | 1 | 0 |
| Name | DTA(6:0) | | | | | | | | Res | | | | | | | |
| POR | 1 | 0 | 0 | 0 | 0 | 0 | 0 | 1 | 0 | 1 | 0 | 0 | 0 | 0 | 1 | 0 |
| Bits 15:9 | DTA(6:0): DES Mode Timing Adjust. In the DES Mode, the time at which the falling edge sampling clock samples relative to the rising edge of the sampling clock may be adjusted; the automatic duty cycle correction continues to function. See Input Control and Adjust for more information. The nominal step size is 30fs. | | | | | | | | | | | | | | | |
| Bits 8:0 | Reserved. Must be set as shown. | | | | | | | | | | | | | | | |

Table 6-23. Reserved

| | | | | | | | | | | | | | | | | |
|------------------|---------------------------------|----|----|----|----|----|---|---|------------------|---|---|---|---|---|---|---|
| Addr: 8h (1000b) | | | | | | | | | POR state: 0F0Fh | | | | | | | |
| Bit | 15 | 14 | 13 | 12 | 11 | 10 | 9 | 8 | 7 | 6 | 5 | 4 | 3 | 2 | 1 | 0 |
| Name | Res | | | | | | | | | | | | | | | |
| POR | 0 | 0 | 0 | 0 | 1 | 1 | 1 | 1 | 0 | 0 | 0 | 0 | 1 | 1 | 1 | 1 |
| Bits 15:0 | Reserved. Must be set as shown. | | | | | | | | | | | | | | | |

Table 6-24. Reserved

| | | | | | | | | | | | | | | | | |
|------------------|---------------------------------|----|----|----|----|----|---|---|------------------|---|---|---|---|---|---|---|
| Addr: 9h (1001b) | | | | | | | | | POR state: 0000h | | | | | | | |
| Bit | 15 | 14 | 13 | 12 | 11 | 10 | 9 | 8 | 7 | 6 | 5 | 4 | 3 | 2 | 1 | 0 |
| Name | Res | | | | | | | | | | | | | | | |
| POR | 0 | 0 | 0 | 0 | 0 | 0 | 0 | 0 | 0 | 0 | 0 | 0 | 0 | 0 | 0 | 0 |
| Bits 15:0 | Reserved. Must be set as shown. | | | | | | | | | | | | | | | |

Table 6-25. Q-channel Offset Adjust

| | | | | | | | | | | | | | | | | |
|------------------|--|----|----|----|----------|----|---|---|--------------------|---|---|---|---|---|---|---|
| Addr: Ah (1010b) | | | | | | | | | POR state: 0000h | | | | | | | |
| Bit | 15 | 14 | 13 | 12 | 11 | 10 | 9 | 8 | 7 | 6 | 5 | 4 | 3 | 2 | 1 | 0 |
| Name | Res | | | OS | OM(11:0) | | | | | | | | | | | |
| POR | 0 | 0 | 0 | 0 | 0 | 0 | 0 | 0 | 0 | 0 | 0 | 0 | 0 | 0 | 0 | 0 |
| Bits 15:13 | Reserved. Must be set to 0b. | | | | | | | | | | | | | | | |
| Bit 12 | OS: Offset Sign. The default setting of 0b incurs a positive offset of a magnitude set by Bits 11:0 to the ADC output. Setting this bit to 1b incurs a negative offset of the set magnitude. | | | | | | | | | | | | | | | |
| Bits 11:0 | OM(11:0): Offset Magnitude. These bits determine the magnitude of the offset set at the ADC output (straight binary coding). The range is from 0 mV for OM(11:0) = 0d to 45 mV for OM(11:0) = 4095d in steps of ~11 μV. Monotonicity is specified by design only for the 9 MSBs. | | | | | | | | | | | | | | | |
| | Code | | | | | | | | Offset [mV] | | | | | | | |
| | 0000 0000 0000 (default) | | | | | | | | 0 | | | | | | | |
| | 1000 0000 0000 | | | | | | | | 22.5 | | | | | | | |
| | 1111 1111 1111 | | | | | | | | 45 | | | | | | | |

Table 6-26. Q-channel Full-Scale Range Adjust

| Addr: Bh (1011b) | | | | | | | | | POR state: 4000h | | | | | | | |
|------------------|--|----|----|----|----|----|---|---|------------------|---|---|---|---|---|---|---|
| Bit | 15 | 14 | 13 | 12 | 11 | 10 | 9 | 8 | 7 | 6 | 5 | 4 | 3 | 2 | 1 | 0 |
| Name | Res | | | | | | | | | | | | | | | |
| POR | 0 | 1 | 0 | 0 | 0 | 0 | 0 | 0 | 0 | 0 | 0 | 0 | 0 | 0 | 0 | 0 |
| Bit 15 | Reserved. Must be set to 0b. | | | | | | | | | | | | | | | |
| Bits 14:0 | FM(14:0): FSR Magnitude. These bits increase the ADC full-scale range magnitude (straight binary coding.) The allowable range is from 800 mV (16384d) to 1000 mV (32767d) with the default setting at 800 mV (16384d). Monotonicity is specified by design only for the 9 MSBs. A greater range of FSR values is available in ECM, i.e. FSR values above 800 mV. See V_{IN_FSR} in Converter Electrical Characteristics Analog Input / Output and Reference Characteristics for characterization details. | | | | | | | | | | | | | | | |
| | Code | | | | | | | | FSR [mV] | | | | | | | |
| | 100 0000 0000 0000 (default) | | | | | | | | 800 | | | | | | | |
| | 111 1111 1111 1111 | | | | | | | | 1000 | | | | | | | |

Table 6-27. Aperture Delay Coarse Adjust

| Addr: Ch (1100b) | | | | | | | | | POR state: 0004h | | | | | | | | |
|------------------|-----------|----|----|----|----|----|---|---|------------------|---|---|---|---|-----|-----|-----|---|
| Bit | 15 | 14 | 13 | 12 | 11 | 10 | 9 | 8 | 7 | 6 | 5 | 4 | 3 | 2 | 1 | 0 | |
| Name | CAM(11:0) | | | | | | | | | | | | | STA | DCC | Res | |
| POR | 0 | 0 | 0 | 0 | 0 | 0 | 0 | 0 | 0 | 0 | 0 | 0 | 0 | 0 | 1 | 0 | 0 |

Using the t_{AD} Adjust feature at its maximum setting, for the maximum sampling clock rate, may affect the integrity of the sampling clock on chip. Therefore, it is not recommended to do so. The maximum setting for the coarse adjust is 825ps. The period for the maximum sampling clock rate of is 555ps, so it should not be necessary to exceed this value in any case.

| | | | | | | | | | | | | | | | | |
|-----------|--|--|--|--|--|--|--|--|--|--|--|--|--|--|--|--|
| Bits 15:4 | CAM(11:0): Coarse Adjust Magnitude. This 12-bit value determines the amount of delay that will be applied to the input CLK signal. The range is 0 ps delay for CAM(11:0) = 0d to a maximum delay of 825 ps for CAM(11:0) = 2431d (± 95 ps due to PVT variation) in steps of ~ 340 fs. For code CAM(11:0) = 2432d and above, the delay saturates and the maximum delay applies. Additional, finer delay steps are available in register Dh. The STA (Bit 3) must be selected to enable this function. | | | | | | | | | | | | | | | |
| Bit 3 | STA: Select t_{AD} Adjust. Set this bit to 1b to enable the t_{AD} adjust feature, which will make both coarse and fine adjustment settings, i.e. CAM(11:0) and FAM(5:0), available. | | | | | | | | | | | | | | | |
| Bit 2 | DCC: Duty Cycle Correct. This bit can be set to 0b to disable the automatic duty-cycle stabilizer feature of the chip. This feature is enabled by default. | | | | | | | | | | | | | | | |
| Bits 1:0 | Reserved. Must be set to 0b. | | | | | | | | | | | | | | | |

Table 6-28. Aperture Delay Fine Adjust⁽¹⁾

| Addr: Dh (1101b) | | | | | | | | | POR state: 0000h | | | | | | | |
|------------------|----------|----|----|----|----|----|-----|---|------------------|---|---|---|---|---|---|---|
| Bit | 15 | 14 | 13 | 12 | 11 | 10 | 9 | 8 | 7 | 6 | 5 | 4 | 3 | 2 | 1 | 0 |
| Name | FAM(5:0) | | | | | | Res | | Res | | | | | | | |
| POR | 0 | 0 | 0 | 0 | 0 | 0 | 0 | 0 | 0 | 0 | 0 | 0 | 0 | 0 | 0 | 0 |

(1) This feature functionality is not tested in production test; performance is tested in the specified / default mode only.

Using the t_{AD} Adjust feature at its maximum setting, for the maximum sampling clock rate, may affect the integrity of the sampling clock on chip. Therefore, it is not recommended to do so. The maximum setting for the coarse adjust is 825ps. The period for the maximum sampling clock rate of is 555ps, so it should not be necessary to exceed this value in any case.

| | | | | | | | | | | | | | | | | |
|------------|---|--|--|--|--|--|--|--|--|--|--|--|--|--|--|--|
| Bits 15:10 | FAM(5:0): Fine Aperture Adjust Magnitude. This 6-bit value determines the amount of additional delay that will be applied to the input CLK when the Clock Phase Adjust feature is enabled via STA (Addr: Ch, Bit 3). The range is straight binary from 0 ps delay for FAM(5:0) = 0d to 2.3 ps delay for FAM(5:0) = 63d (± 300 fs due to PVT variation) in steps of ~ 36 fs. | | | | | | | | | | | | | | | |
| Bits 9:0 | Reserved. Must be set as shown. | | | | | | | | | | | | | | | |

Table 6-29. AutoSync

| Addr: Eh (1110b) | | | | | | | | | POR state: 0003h | | | | | | | |
|------------------|--|----|----|----|----|----|---|---|------------------|-----|---------|---|---|----|-----|----|
| Bit | 15 | 14 | 13 | 12 | 11 | 10 | 9 | 8 | 7 | 6 | 5 | 4 | 3 | 2 | 1 | 0 |
| Name | DRC(8:0) | | | | | | | | DCK | Res | SP(1:0) | | | ES | DOC | DR |
| POR | 0 | 0 | 0 | 0 | 0 | 0 | 0 | 0 | 0 | 0 | 0 | 0 | 0 | 0 | 1 | 1 |
| Bits 15:7 | DRC(8:0): Delay Reference Clock (9:0). These bits may be used to increase the delay on the input reference clock when synchronizing multiple ADCs. The minimum delay is 0s (0d) to 1200 ps (319d). The delay remains the maximum of 1200 ps for any codes above or equal to 639d. See SYNCHRONIZING MULTIPLE ADC12D1800RFS IN A SYSTEM for more information. | | | | | | | | | | | | | | | |
| Bit 6 | DCK: DESCLKIQ Mode. Set this bit to 1b to enable Dual-Edge Sampling, in which the Sampling Clock samples the I- and Q-channels 180° out of phase with respect to one another, i.e. the DESCLKIQ Mode. To select the DESCLKIQ Mode, Addr: 0h, Bits<7:5> must also be set to 000b. See DES/Non-DES Mode for more information. | | | | | | | | | | | | | | | |
| Bit 5 | Reserved. Must be set as shown. | | | | | | | | | | | | | | | |
| Bits 4:3 | SP(1:0): Select Phase. These bits select the phase of the reference clock which is latched. The codes correspond to the following phase shift: 00 = 0° 01 = 90° 10 = 180° 11 = 270° | | | | | | | | | | | | | | | |
| Bit 2 | ES: Enable Slave. Set this bit to 1b to enable the Slave Mode of operation. In this mode, the internal divided clocks are synchronized with the reference clock coming from the master ADC. The master clock is applied on the input pins RCLK. If this bit is set to 0b, then the device is in Master Mode. | | | | | | | | | | | | | | | |
| Bit 1 | DOC: Disable Output reference Clocks. Setting this bit to 0b sends a CLK/4 signal on RCOut1 and RCOut2. The default setting of 1b disables these output drivers. This bit functions as described, regardless of whether the device is operating in Master or Slave Mode, as determined by ES (Bit 2). | | | | | | | | | | | | | | | |
| Bit 0 | DR: Disable Reset. The default setting of 1b leaves the DCLK_RST functionality disabled. Set this bit to 0b to enable DCLK_RST functionality. | | | | | | | | | | | | | | | |

Table 6-30. Reserved

| Addr: Fh (1111b) | | | | | | | | | POR state: 001Dh | | | | | | | |
|------------------|--------------------------------------|----|----|----|----|----|---|---|------------------|---|---|---|---|---|---|---|
| Bit | 15 | 14 | 13 | 12 | 11 | 10 | 9 | 8 | 7 | 6 | 5 | 4 | 3 | 2 | 1 | 0 |
| Name | Res | | | | | | | | | | | | | | | |
| POR | 0 | 0 | 0 | 0 | 0 | 0 | 0 | 0 | 0 | 0 | 0 | 1 | 1 | 1 | 0 | 1 |
| Bits 15:0 | Reserved. This address is read only. | | | | | | | | | | | | | | | |

Revision History

NOTE: Page numbers for previous revisions may differ from page numbers in the current version.

| Changes from Revision G (April 2013) to Revision H | Page |
|--|--------------------|
| <ul style="list-style-type: none">• Changed layout of National Data Sheet to TI format | 74 |

PACKAGING INFORMATION

| Orderable Device | Status (1) | Package Type | Package Drawing | Pins | Package Qty | Eco Plan (2) | Lead/Ball Finish | MSL Peak Temp (3) | Op Temp (°C) | Top-Side Markings (4) | Samples |
|----------------------|---------------|--------------|--------------------|------|----------------|----------------------------|------------------|----------------------|--------------|--------------------------|-------------------------|
| ADC12D1800RFIUT | ACTIVE | BGA | NXA | 292 | 40 | TBD | Call TI | Call TI | -40 to 85 | ADC12D1800RFIUT | Samples |
| ADC12D1800RFIUT/NOPB | ACTIVE | BGA | NXA | 292 | 40 | Green (RoHS & no Sb/Br) | POST-PLATE | Level-3-250C-168 HR | -40 to 85 | ADC12D1800RFIUT | Samples |

(1) The marketing status values are defined as follows:

ACTIVE: Product device recommended for new designs.

LIFEBUY: TI has announced that the device will be discontinued, and a lifetime-buy period is in effect.

NRND: Not recommended for new designs. Device is in production to support existing customers, but TI does not recommend using this part in a new design.

PREVIEW: Device has been announced but is not in production. Samples may or may not be available.

OBSELETE: TI has discontinued the production of the device.

(2) Eco Plan - The planned eco-friendly classification: Pb-Free (RoHS), Pb-Free (RoHS Exempt), or Green (RoHS & no Sb/Br) - please check <http://www.ti.com/productcontent> for the latest availability information and additional product content details.

TBD: The Pb-Free/Green conversion plan has not been defined.

Pb-Free (RoHS): TI's terms "Lead-Free" or "Pb-Free" mean semiconductor products that are compatible with the current RoHS requirements for all 6 substances, including the requirement that lead not exceed 0.1% by weight in homogeneous materials. Where designed to be soldered at high temperatures, TI Pb-Free products are suitable for use in specified lead-free processes.

Pb-Free (RoHS Exempt): This component has a RoHS exemption for either 1) lead-based flip-chip solder bumps used between the die and package, or 2) lead-based die adhesive used between the die and leadframe. The component is otherwise considered Pb-Free (RoHS compatible) as defined above.

Green (RoHS & no Sb/Br): TI defines "Green" to mean Pb-Free (RoHS compatible), and free of Bromine (Br) and Antimony (Sb) based flame retardants (Br or Sb do not exceed 0.1% by weight in homogeneous material)

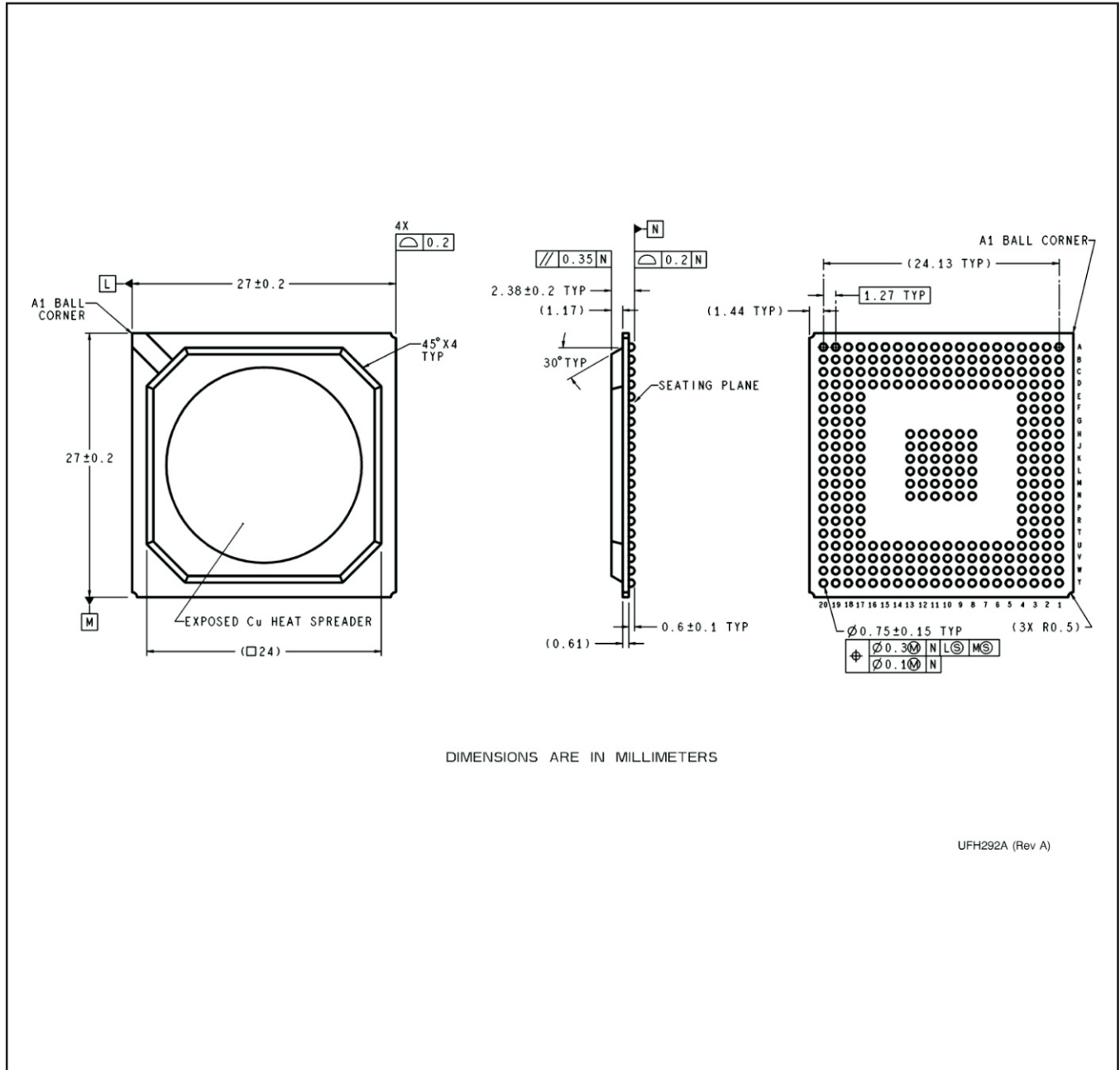
(3) MSL, Peak Temp. -- The Moisture Sensitivity Level rating according to the JEDEC industry standard classifications, and peak solder temperature.

(4) Multiple Top-Side Markings will be inside parentheses. Only one Top-Side Marking contained in parentheses and separated by a "~" will appear on a device. If a line is indented then it is a continuation of the previous line and the two combined represent the entire Top-Side Marking for that device.

Important Information and Disclaimer:The information provided on this page represents TI's knowledge and belief as of the date that it is provided. TI bases its knowledge and belief on information provided by third parties, and makes no representation or warranty as to the accuracy of such information. Efforts are underway to better integrate information from third parties. TI has taken and continues to take reasonable steps to provide representative and accurate information but may not have conducted destructive testing or chemical analysis on incoming materials and chemicals. TI and TI suppliers consider certain information to be proprietary, and thus CAS numbers and other limited information may not be available for release.

In no event shall TI's liability arising out of such information exceed the total purchase price of the TI part(s) at issue in this document sold by TI to Customer on an annual basis.

NXA0292A



DIMENSIONS ARE IN MILLIMETERS

UFH292A (Rev A)

IMPORTANT NOTICE

Texas Instruments Incorporated and its subsidiaries (TI) reserve the right to make corrections, enhancements, improvements and other changes to its semiconductor products and services per JESD46, latest issue, and to discontinue any product or service per JESD48, latest issue. Buyers should obtain the latest relevant information before placing orders and should verify that such information is current and complete. All semiconductor products (also referred to herein as "components") are sold subject to TI's terms and conditions of sale supplied at the time of order acknowledgment.

TI warrants performance of its components to the specifications applicable at the time of sale, in accordance with the warranty in TI's terms and conditions of sale of semiconductor products. Testing and other quality control techniques are used to the extent TI deems necessary to support this warranty. Except where mandated by applicable law, testing of all parameters of each component is not necessarily performed.

TI assumes no liability for applications assistance or the design of Buyers' products. Buyers are responsible for their products and applications using TI components. To minimize the risks associated with Buyers' products and applications, Buyers should provide adequate design and operating safeguards.

TI does not warrant or represent that any license, either express or implied, is granted under any patent right, copyright, mask work right, or other intellectual property right relating to any combination, machine, or process in which TI components or services are used. Information published by TI regarding third-party products or services does not constitute a license to use such products or services or a warranty or endorsement thereof. Use of such information may require a license from a third party under the patents or other intellectual property of the third party, or a license from TI under the patents or other intellectual property of TI.

Reproduction of significant portions of TI information in TI data books or data sheets is permissible only if reproduction is without alteration and is accompanied by all associated warranties, conditions, limitations, and notices. TI is not responsible or liable for such altered documentation. Information of third parties may be subject to additional restrictions.

Resale of TI components or services with statements different from or beyond the parameters stated by TI for that component or service voids all express and any implied warranties for the associated TI component or service and is an unfair and deceptive business practice. TI is not responsible or liable for any such statements.

Buyer acknowledges and agrees that it is solely responsible for compliance with all legal, regulatory and safety-related requirements concerning its products, and any use of TI components in its applications, notwithstanding any applications-related information or support that may be provided by TI. Buyer represents and agrees that it has all the necessary expertise to create and implement safeguards which anticipate dangerous consequences of failures, monitor failures and their consequences, lessen the likelihood of failures that might cause harm and take appropriate remedial actions. Buyer will fully indemnify TI and its representatives against any damages arising out of the use of any TI components in safety-critical applications.

In some cases, TI components may be promoted specifically to facilitate safety-related applications. With such components, TI's goal is to help enable customers to design and create their own end-product solutions that meet applicable functional safety standards and requirements. Nonetheless, such components are subject to these terms.

No TI components are authorized for use in FDA Class III (or similar life-critical medical equipment) unless authorized officers of the parties have executed a special agreement specifically governing such use.

Only those TI components which TI has specifically designated as military grade or "enhanced plastic" are designed and intended for use in military/aerospace applications or environments. Buyer acknowledges and agrees that any military or aerospace use of TI components which have **not** been so designated is solely at the Buyer's risk, and that Buyer is solely responsible for compliance with all legal and regulatory requirements in connection with such use.

TI has specifically designated certain components as meeting ISO/TS16949 requirements, mainly for automotive use. In any case of use of non-designated products, TI will not be responsible for any failure to meet ISO/TS16949.

Products

| | |
|------------------------------|--|
| Audio | www.ti.com/audio |
| Amplifiers | amplifier.ti.com |
| Data Converters | dataconverter.ti.com |
| DLP® Products | www.dlp.com |
| DSP | dsp.ti.com |
| Clocks and Timers | www.ti.com/clocks |
| Interface | interface.ti.com |
| Logic | logic.ti.com |
| Power Mgmt | power.ti.com |
| Microcontrollers | microcontroller.ti.com |
| RFID | www.ti-rfid.com |
| OMAP Applications Processors | www.ti.com/omap |
| Wireless Connectivity | www.ti.com/wirelessconnectivity |

Applications

| | |
|-------------------------------|--|
| Automotive and Transportation | www.ti.com/automotive |
| Communications and Telecom | www.ti.com/communications |
| Computers and Peripherals | www.ti.com/computers |
| Consumer Electronics | www.ti.com/consumer-apps |
| Energy and Lighting | www.ti.com/energy |
| Industrial | www.ti.com/industrial |
| Medical | www.ti.com/medical |
| Security | www.ti.com/security |
| Space, Avionics and Defense | www.ti.com/space-avionics-defense |
| Video and Imaging | www.ti.com/video |

TI E2E Community

e2e.ti.com