

FEATURES

- 5 V Stereo Audio DAC System**
- Accepts 16-/18-/20-/24-Bit Data**
- Supports 24 Bits and 96 kHz Sample Rate**
- Multibit Sigma-Delta Modulator with "Perfect Differential Linearity Restoration" for Reduced Idle Tones and Noise Floor**
- Data Directed Scrambling DAC—Least Sensitive to Jitter**
- Differential Output for Optimum Performance**
- 113 dB Signal-to-Noise and Dynamic Range at 48 kHz Sample Rate**
- 110 dB Signal-to-Noise and Dynamic Range at 96 kHz Sample Rate**
- 97 dB THD+N**
- On-Chip Volume Control with 1024 Steps**
- Hardware and Software Controllable Clickless Mute**
- Zero Input Flag Outputs for Left and Right Channels**
- Digital De-Emphasis Processing**
- Supports 128, 256, 384, and 512 \times F_s Master Mode Clock**
- Switchable Clock Doubler**
- Power-Down Mode Plus Soft Power-Down Mode**
- Flexible Serial Data Port with Right-Justified, Left-Justified, I²S-Compatible and DSP Serial Port Modes**
- 28-Lead SSOP Plastic Package**

APPLICATIONS

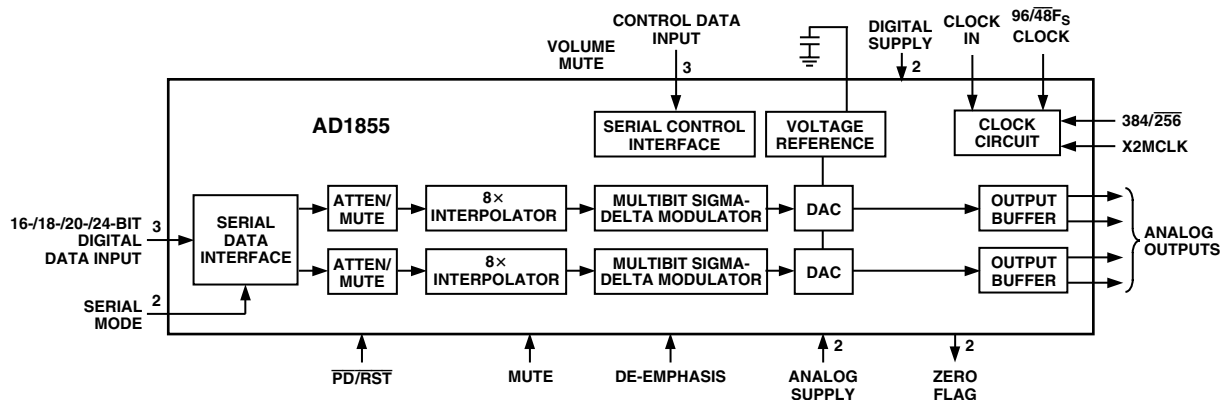
- DVD, CD, Set-Top Boxes, Home Theater Systems, Automotive Audio Systems, Computer Multimedia Products, Sampling Musical Keyboards, Digital Mixing Consoles, Digital Audio Effects Processors**

PRODUCT OVERVIEW

The AD1855 is a high performance, single-chip stereo, audio DAC delivering 113 dB Dynamic Range and SNR (A-weighted—not muted) at 48 kHz sample rate. It is comprised of a multibit sigma-delta modulator with dither, continuous time analog filters and analog output drive circuitry. Other features include an on-chip stereo attenuator and mute, programmed through an SPI-compatible serial control port. The AD1855 is fully compatible with current DVD formats, including 96 kHz sample frequency and 24 bits. It is also backwards compatible by supporting 50 μ s/15 μ s digital de-emphasis intended for "redbook" 44.1 kHz sample frequency playback from compact discs.

The AD1855 has a very simple but very flexible serial data input port that allows for glueless interconnection to a variety of ADCs, DSP chips, AES/EBU receivers and sample rate converters. The AD1855 can be configured in left-justified, I²S, right-justified, or DSP serial port compatible modes. The AD1855 accepts 16-/18-/20-/24-bit serial audio data in MSB first, twos-complement format. A power-down mode is offered to minimize power consumption when the device is inactive. The AD1855 operates from a single +5 V power supply. It is fabricated on a single monolithic integrated circuit and housed in a 28-lead SSOP package for operation over the temperature range 0°C to +70°C.

FUNCTIONAL BLOCK DIAGRAM



*Patents Pending.

REV. B

Information furnished by Analog Devices is believed to be accurate and reliable. However, no responsibility is assumed by Analog Devices for its use, nor for any infringements of patents or other rights of third parties which may result from its use. No license is granted by implication or otherwise under any patent or patent rights of Analog Devices.

AD1855—SPECIFICATIONS

TEST CONDITIONS UNLESS OTHERWISE NOTED

Supply Voltages (AV_{DD} , DV_{DD})	+5.0 V
Ambient Temperature	+25°C
Input Clock	24.576 MHz (512 × F_S Mode)
Input Signal	1.0013 kHz
	−0.5 dB Full Scale
Input Sample Rate	48 kHz
Measurement Bandwidth	20 Hz to 20 kHz
Word Width	20 Bits
Load Impedance	6 k Ω
Input Voltage HI	4.0 V
Input Voltage LO	0.8 V

Performance of right and left channels are identical (exclusive of the Interchannel Gain Mismatch and Interchannel Phase Deviation specifications).

ANALOG PERFORMANCE

	Min	Typ	Max	Units
Resolution		20		Bits
Dynamic Range (20 Hz to 20 kHz, −60 dB Input)				
No Filter		110		dB
With A-Weighted Filter	108	113		dB
Total Harmonic Distortion + Noise		−97	−91	dB
		0.0014		%
Analog Outputs				
Differential Output Range (\pm Full Scale)		5.6		V p-p
Output Impedance at Each Output Pin		200		Ω
Output Capacitance at Each Output Pin			20	pF
CMOUT		2.5		V
Gain Error	−5.0	± 3.0	+5.0	%
Interchannel Gain Mismatch	−0.15		+0.15	dB
Gain Drift		150	300	ppm/°C
Interchannel Crosstalk (EIAJ Method)		−120		dB
Interchannel Phase Deviation		± 0.1		Degrees
Mute Attenuation		−120		dB
De-Emphasis Gain Error			± 0.1	dB

DIGITAL TIMING (Guaranteed over 0°C to +70°C, $AV_{DD} = DV_{DD} = +5.0 \text{ V} \pm 10\%$)

	Min	Max	Units
t_{DMP} MCLK Period (512 F_S Mode)	35		ns
t_{DMP} MCLK Period (384 F_S Mode)	48		ns
t_{DMP} MCLK Period (256 F_S Mode)	70		ns
t_{DML} MCLK LO Pulsewidth (All Mode)	$0.4 \times t_{DMP}$		ns
t_{DMH} MCLK HI Pulsewidth (All Mode)	$0.4 \times t_{DMP}$		ns
t_{DBH} BCLK HI Pulsewidth	20		ns
t_{DBL} BCLK LO Pulsewidth	20		ns
t_{DBP} BCLK Period	140		ns
t_{DLS} \overline{LRCLK} Setup	20		ns
t_{DLH} \overline{LRCLK} Hold (DSP Serial Port Mode Only)	5		ns
t_{DDS} SDATA Setup	5		ns
t_{DDH} SDATA Hold	10		ns
t_{PDRP} $\overline{PD/RST}$ LO Pulsewidth	4 MCLK Periods		ns

DIGITAL I/O (0°C to +70°C)

	Min	Typ	Max	Units
Input Voltage HI (V_{IH})	2.4			V
Input Voltage LO (V_{IL})			1.0	V
High Level Output Voltage (V_{OH}) $I_{OH} = 1$ mA	2.0			V
Low Level Output Voltage (V_{OL}) $I_{OL} = 1$ mA			0.4	V
Input Leakage (I_{IH} @ $V_{IH} = 5$ V)			10	μ A
Input Leakage (I_{IL} @ $V_{IL} = 0$ V)			10	μ A
Input Capacitance			10	pF

POWER

	Min	Typ	Max	Units
Supplies				
Voltage, Analog and Digital	4.5	5	5.50	V
Analog Current	24	30	35	mA
Analog Current—Power-Down	23	29	33	mA
Digital Current	17	20	24	mA
Digital Current—Power-Down	1	2.5	5	mA
Dissipation				
Operation—Both Supplies		250		mW
Operation—Analog Supply		150		mW
Operation—Digital Supply		100		mW
Power-Down—Both Supplies			190	mW
Power Supply Rejection Ratio				
1 kHz 300 mV p-p Signal at Analog Supply Pins		-60		dB
20 kHz 300 mV p-p Signal at Analog Supply Pins		-50		dB

TEMPERATURE RANGE

	Min	Typ	Max	Units
Specifications Guaranteed		25		°C
Functionality Guaranteed	0		70	°C
Storage	-55		+125	°C

DIGITAL FILTER CHARACTERISTICS

	Min	Typ	Max	Units
Passband Ripple		± 0.04		dB
Stopband Attenuation		47		dB
Passband		0.448		F_S
Stopband		0.552		F_S
Group Delay				
32, 44.1, 48 kHz (8× Interpolation Mode)		$106/F_S$		sec
96 kHz (4× Interpolation Mode)		$53/F_S$		sec
Group Delay Variation		0		μ s

Specifications subject to change without notice.

AD1855

ABSOLUTE MAXIMUM RATINGS*

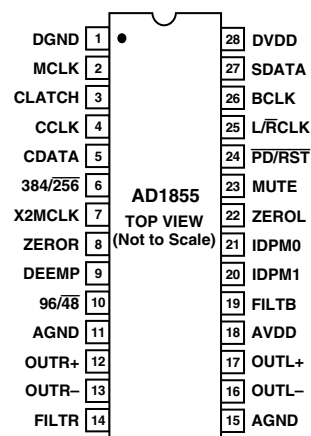
	Min	Max	Units
DV _{DD} to DGND	-0.3	6	V
AV _{DD} to AGND	-0.3	6	V
Digital Inputs	DGND - 0.3	DV _{DD} + 0.3	V
Analog Outputs	AGND - 0.3	AV _{DD} + 0.3	V
AGND to DGND	-0.3	0.3	V
Reference Voltage		(AV _{DD} + 0.3)/2	
Soldering		+300	°C
		10	sec

*Stresses greater than those listed under Absolute Maximum Ratings may cause permanent damage to the device. This is a stress rating only; functional operation of the device at these or any other conditions above those indicated in the operational section of this specification is not implied. Exposure to absolute maximum rating conditions for extended periods may affect device reliability.

PACKAGE CHARACTERISTICS

	Min	Typ	Max	Units
θ_{JA} (Thermal Resistance [Junction-to-Ambient])		109		°C/W
θ_{JC} (Thermal Resistance [Junction-to-Case])		39		°C/W

PIN CONFIGURATION



ORDERING GUIDE

Model	Temperature	Package Description	Package Options
AD1855JRS	0°C to +70°C	28-Lead Shrink Small Outline	RS-28
AD1855JRSRL	0°C to +70°C	28-Lead Shrink Small Outline	RS-28 on 13" Reels

CAUTION

ESD (electrostatic discharge) sensitive device. Electrostatic charges as high as 4000 V readily accumulate on the human body and test equipment and can discharge without detection. Although the AD1855 features proprietary ESD protection circuitry, permanent damage may occur on devices subjected to high energy electrostatic discharges. Therefore, proper ESD precautions are recommended to avoid performance degradation or loss of functionality.



PIN FUNCTION DESCRIPTIONS

Pin	Input/Output	Pin Name	Description
1	I	DGND	Digital Ground.
2	I	MCLK	Master Clock Input. Connect to an external clock source at either 128, 256, 384 or 512 F _S , based on sample rate and clock doubler mode.
3	I	CLATCH	Latch input for control data. This input is rising-edge sensitive.
4	I	CCLK	Control clock input for control data. Control input data must be valid on the rising edge of CCLK. CCLK may be continuous or gated.
5	I	CDATA	Serial control input, MSB first, containing 16 bits of unsigned data per channel. Used for specifying channel specific attenuation and mute.
6	I	384/256	Selects the master clock mode as either 384 times the intended sample frequency (HI) or 256 times the intended sample frequency (LO). The state of this input should be hardwired to logic HI or logic LO, or may be changed while the AD1855 is in power-down/reset. It must not be changed while the AD1855 is operational.
7	I	X2MCLK	Selects internal clock doubler (LO) or internal clock = MCLK (HI).
8	O	ZEROR	Right Channel Zero Flag Output. This pin goes HI when Right Channel has no signal input for more than 1024 LR Clock Cycles.
9	I	DEEMP	De-Emphasis. Digital de-emphasis is enabled when this input signal is HI. This is used to impose a 50 μs/15 μs response characteristic on the output audio spectrum at an assumed 44.1 kHz sample rate.
10	I	96/48	Selects 48 kHz (LO) or 96 kHz Sample Frequency Control.
11, 15	I	AGND	Analog Ground.
12	O	OUTR+	Right Channel Positive line level analog output.
13	O	OUTR-	Right Channel Negative line level analog output.
14	O	FILTR	Voltage Reference Filter Capacitor Connection. Bypass and decouple the voltage reference with parallel 10 μF and 0.1 μF capacitors to the AGND.
16	O	OUTL-	Left Channel Negative line level analog output.
17	O	OUTL+	Left Channel Positive line level analog output.
18	I	AVDD	Analog Power Supply. Connect to analog +5 V supply.
19	O	FILTB	Filter Capacitor connection, connect 10 μF capacitor to AGND.
20	I	IDPM1	Input serial data port mode control one. With IDPM0, defines one of four serial modes.
21	I	IDPM0	Input serial data port mode control zero. With IDPM1, defines one of four serial modes.
22	O	ZEROL	Left Channel Zero Flag output. This pin goes HI when Left Channel has no signal input for more than 1024 LR Clock Cycles.
23	I	MUTE	Mute. Assert HI to mute both stereo analog outputs. Deassert LO for normal operation.
24	I	PD/RST	Power-Down/Reset. The AD1855 is placed in a low power consumption mode when this pin is held LO. The AD1855 is reset on the rising edge of this signal. The serial control port registers are reset to the default values. Connect HI for normal operation. A reset should always be performed at power-on.
25	I	L/RCLK	Left/Right clock input for input data. Must run continuously.
26	I	BCLK	Bit clock input for input data. Need not run continuously; may be gated or used in a burst fashion.
27	I	SDATA	Serial input, MSB first, containing two channels of 16, 18, 20, and 24 bits of twos complement data per channel.
28	I	DVDD	Digital Power Supply Connect to digital +5 V supply.

AD1855

OPERATING FEATURES

Serial Data Input Port

The AD1855's flexible serial data input port accepts data in twos-complement, MSB-first format. The left channel data field always precedes the right channel data field. The input data consists of either 16, 18, 20 or 24 bits, as established by the mode select pins (IDPM0 Pin 21 and IDPM1 Pin 20) or the mode select bits (Data 15 and 14) in the control register through the SPI (Serial Peripheral Interface) control port. Neither the pins nor the SPI controls has preference; to ensure proper control the selection not being used should be tied LO. Therefore, when the SPI bits are used to control Serial Data Input Format, Pins 20 and 21 should be tied LO. Similarly, when the Pins are to be used to select the Data Format, the SPI bits should be set to Zeros. When the SPI Control Port is not being used, the SPI Pins (3, 4 and 5) should be tied LO.

Serial Data Input Mode

The AD1855 uses two multiplexed input pins to control the mode configuration of the input data port mode as follows:

Table I. Serial Data Input Modes

IDPM1 (Pin 20)	IDPM0 (Pin 21)	Serial Data Input Format
0	0	Right Justified (16 Bits Only)
0	1	I ² S-Compatible
1	0	Left Justified
1	1	DSP

Figure 1 shows the right-justified mode. $L/\overline{R}CLK$ is HI for the left channel, LO for the right channel. Data is valid on the rising edge of BCLK. The MSB is delayed 16 bit clock periods from an $L/\overline{R}CLK$ transition, so that when there are 64 BCLK periods per $L/\overline{R}CLK$ period, the LSB of the data will be right justified to the next $L/\overline{R}CLK$ transition. The right-justified mode can only be used with 16-bit inputs.

Figure 2 shows the I²S-justified mode. $L/\overline{R}CLK$ is LO for the left channel and HI for the right channel. Data is valid on the rising edge of BCLK. The MSB is left justified to an $L/\overline{R}CLK$ transition but with a single BCLK period delay. The I²S-justified mode can be used with 16-/18-/20- or 24-bit inputs.

Figure 3 shows the left-justified mode. $L/\overline{R}CLK$ is HI for the left channel, and LO for the right channel. Data is valid on the rising edge of BCLK. The MSB is left justified to an $L/\overline{R}CLK$ transition, with no MSB delay. The left-justified mode can be used with 16-/18-/20- or 24-bit inputs.

Figure 4 shows the left-justified DSP serial port style mode. $L/\overline{R}CLK$ must pulse HI for at least one bit clock period before the MSB of the left channel is valid, and $L/\overline{R}CLK$ must pulse HI again for at least one bit clock period before the MSB of the right channel is valid. Data is valid on the falling edge of BCLK. The left-justified DSP serial port style mode can be used with 16-/18-/20- or 24-bit inputs.

Note that in this mode, it is the responsibility of the DSP to ensure that the left data is transmitted with the first $L/\overline{R}CLK$ pulse, and that synchronism is maintained from that point forward.

The AD1855 is capable of a $32 \times F_S$ BCLK frequency “packed mode” where the MSB is left justified to an $L/\overline{R}CLK$ transition, and the LSB is right justified to an $L/\overline{R}CLK$ transition. $L/\overline{R}CLK$ is HI for the left channel and LO for the right channel. Data is valid on the rising edge of BCLK. Packed mode can be used when the AD1855 is programmed in right- or left-justified mode. Packed mode is shown in Figure 5.

Table II. Frequency Mode Settings

F_S	$96/48$	MCLK	X2MCLK	$384/256$	Note
8× Interpolation Mode Normal, 32 kHz–48 kHz	0	$256 \times F_S$	0	0	Not Allowed
	0	$384 \times F_S$	0	1	
	0	$512 \times F_S$	1	0	
	0		1	1	
4× Interpolation Mode Double F_S (96 kHz)	1	$128 \times F_S$	0	0	Not Allowed
	1	$(384/2) \times F_S$	0	1	
	1	$256 \times F_S$	1	0	
	1		1	1	

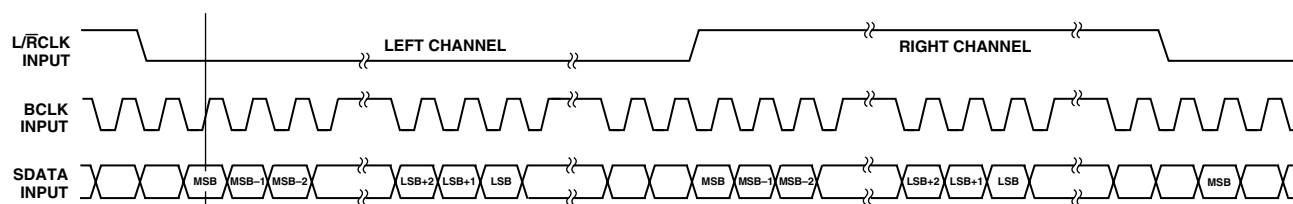


Figure 1. Right-Justified Mode

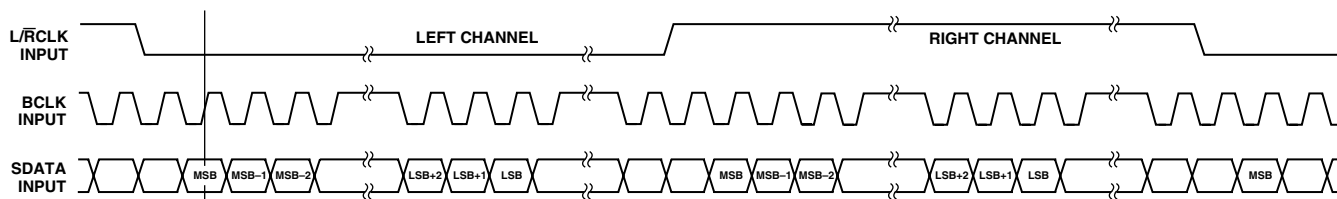


Figure 2. I²S-Justified Mode

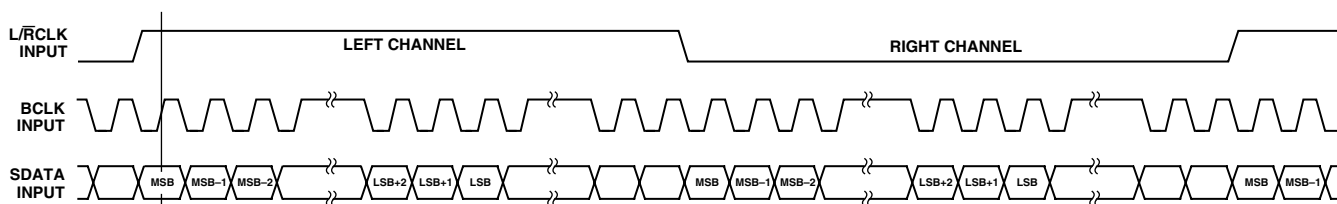


Figure 3. Left-Justified Mode

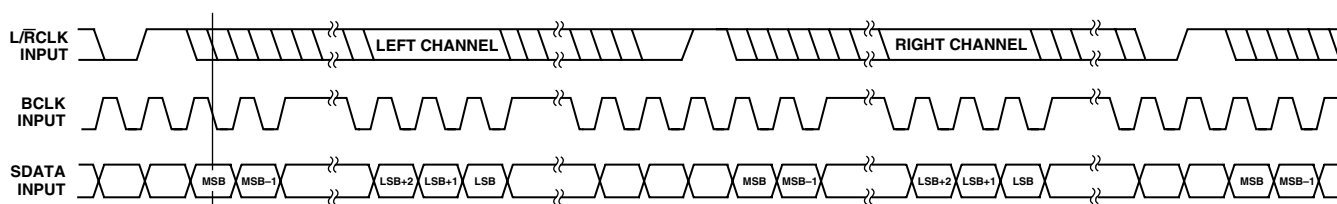


Figure 4. Left-Justified DSP Mode

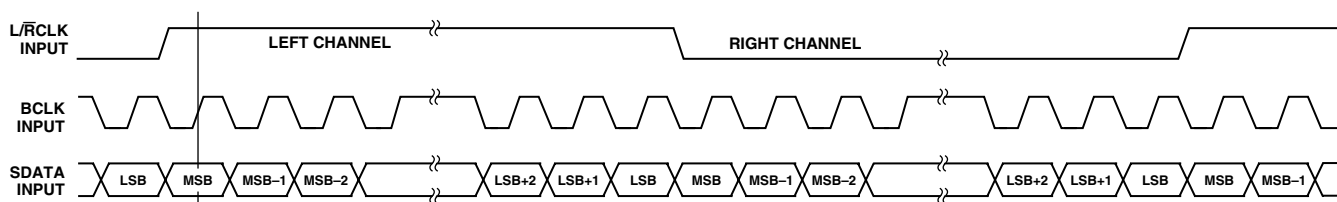


Figure 5. $32 \times F_s$ Packed Mode

AD1855

Serial Control Port

The AD1855 serial control port is SPI compatible. SPI (Serial Peripheral Interface) is an industry standard serial port protocol. The write-only serial control port gives the user access to: select input mode, soft power-down control, soft de-emphasis, channel-specific attenuation and mute (both channels at once). The AD1855 serial control port consists of three signals, control clock CCLK (Pin 4), control data CDATA (Pin 5), and control latch CLATCH (Pin 3). The control data input must be valid on the control clock rising edge, and the control clock must make a LO to HI transition when there is valid data. The control latch must make a LO to HI transition after the LSB has been clocked into the AD1855, while the control clock is inactive. The timing relation between these signals is shown in Figure 6. The control bits are assigned as in Table III.

Digital Timing

		Min	Unit
t_{CCH}	CCLK HI Pulsewidth	40 (Burst Mode)	ns
t_{CD}	CCLK LO Pulsewidth	40 (Burst Mode)	ns
t_{CCP}	CCLK Period	80 (Burst Mode)	ns
t_{CCSU}	CCLK Setup Time	100	ns
t_{CSU}	CDATA Setup Time	10	ns
t_{CHD}	CDATA Hold Time	10	ns
t_{CLL}	CLATCH LO Pulsewidth	10	ns
t_{CLH}	CLATCH HI Pulsewidth	130	ns
t_{CLSU}	CLATCH HI Setup	130	ns

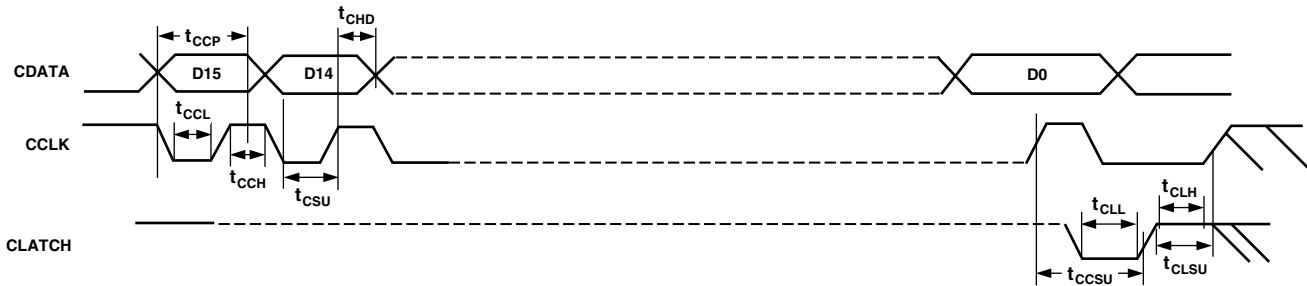


Figure 6. Serial Control Port Timing

Table III. Serial Control Bit Definitions

MSB	Data 15	Data 14	Data 13	Data 12	Data 11	Data 10	Data 9	Data 8	Data 7	Data 6	Data 5	Data 4	Data 3	Data 2	Data 1	LSB	Data 0
IDPM1	IDPM0	Soft	Soft	1/Mute	1/Right	Volume	Volume	Volume	Volume	Volume	Volume	Volume	Volume	Volume	Volume	Volume	Volume
Input	Input	Power-	De-	0/Normal	0/Left	Control	Control	Control	Control	Control	Control	Control	Control	Control	Control	Control	Control
Mode1	Mode0	Down	Emphasis	(Nonmute)		Data	Data	Data	Data	Data	Data	Data	Data	Data	Data	Data	Data
Select	Select																

The serial control port is byte oriented. The data is MSB first, and is unsigned. There is one control register for the left channel or the right channel, as distinguished by bit Data 10. For power-up and reset, the default settings are: Data 11 the Mute control bit, reset default state is LO, which is the normal (nonmuted) setting. Data 10 is LO, the Volume 9 through Volume 0 control bits have a reset default value of 11 1111 1111, which is an attenuation of 0.0 dB (i.e., full scale, no attenuation). The intent with these reset defaults is to enable AD1855 applications without requiring the use of the serial control port. For those users who do not use the serial control port, it is still possible to mute the AD1855 output by using the MUTE (Pin 23) signal.

Note that the serial control port timing is asynchronous to the serial data port timing. Changes made to the attenuator level will be updated on the next edge of the L/RCLK after the CLATCH write pulse as shown in Figure 7.

Mute

The AD1855 offers two methods of muting the analog output. By asserting the MUTE (Pin 23) signal HI, both the left and right channel are muted. As an alternative, the user can assert the mute bit in the serial control register (Data 11) HI. The AD1855 has been designed to minimize pops and clicks when muting and unmuting the device.

SPI Port Modes

The SPI port can be used in either of two modes, Burst Mode, or Continuous CCLK Mode, as described below:

Continuous CCLK Mode

In this mode, the maximum CCLK frequency is 3 MHz. The CCLK can run continuously between transactions. Please note that the Low-to-Hi transition of the CLATCH with respect to the rising edge of CCLK must be at least 130 ns, as shown in Figure 7.

Burst Mode

To operate with SPI CCLK frequencies up to 12.288 MHz, the SPI port can be operated in Burst Mode. This means that when CLATCH is high, CCLK cannot be HI, as shown in Figure 8.

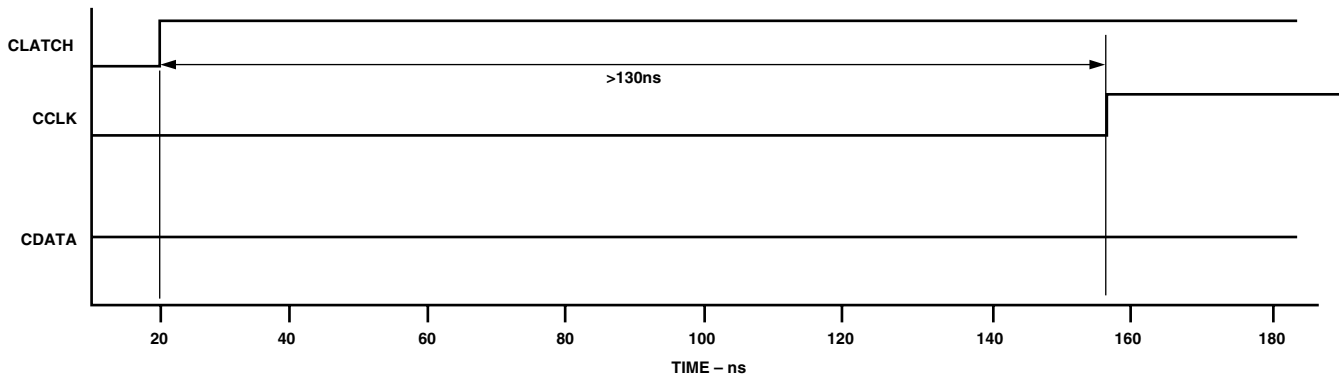


Figure 7. SPI Port Continuous CCLK Mode

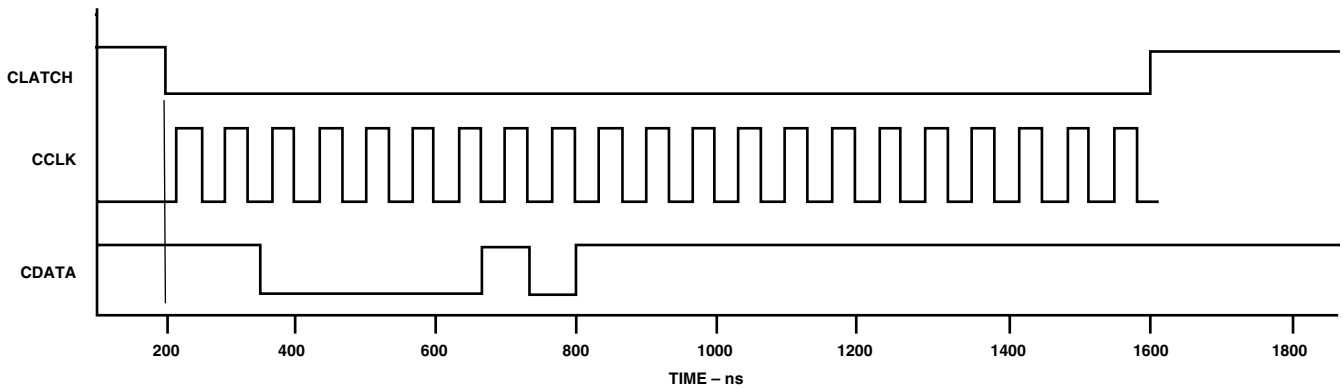


Figure 8. SPI Port Burst Mode

AD1855

Timing Diagrams

The serial data port timing is shown in Figures 9 and 10. The minimum bit clock HI pulsewidth is t_{DBH} and the minimum bit clock LO pulsewidth is t_{DBL} . The minimum bit clock period is t_{DBP} . The left/right clock minimum setup time is t_{DLS} and the left/right clock minimum hold time is t_{DLH} . The serial data

minimum setup time is t_{DDS} and the minimum serial data hold time is t_{DDH} .

The power-down/reset timing is shown in Figure 11. The minimum reset LO pulse width is t_{PDRP} (four MCLK periods) to accomplish a successful AD1855 reset operation.

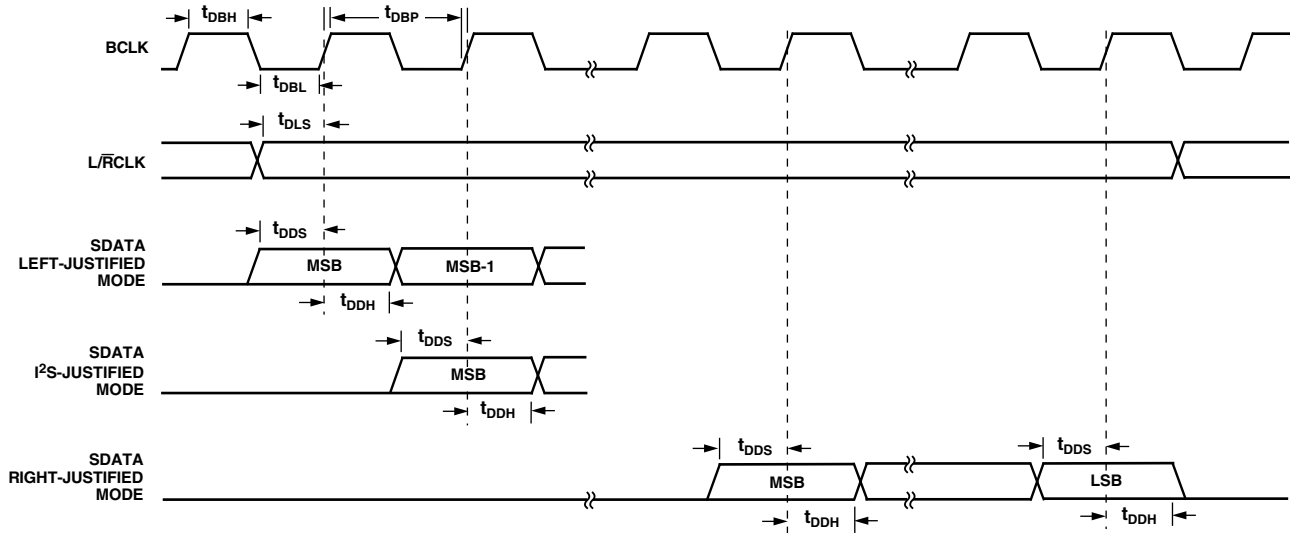


Figure 9. Serial Data Port Timing

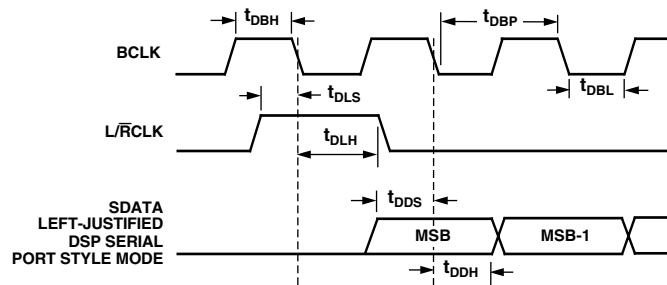


Figure 10. Serial Data Port Timing—DSP Serial Port Style Mode

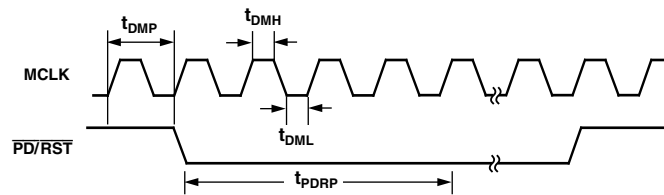


Figure 11. Power-Down/Reset Timing

TYPICAL PERFORMANCE

Figures 12 through 15 illustrate the typical analog performance of the AD1855, at $F_S = 48$ kHz, as measured by an Audio Precision System Two. Signal-to-Noise and THD+N performance

are shown under a range of conditions. Figure 16 shows the power supply rejection performance of the AD1855. Figure 17 shows the noise floor of the AD1855. The digital filter transfer function is shown in Figure 18. The two-tone test in Figure 19 is per the SMPTE Standard for Measuring Intermodulation Distortion.

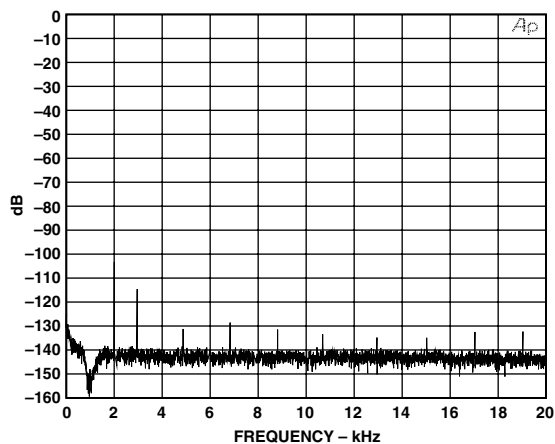


Figure 12. 1 kHz Tone at -0.5 dBFS (8K-Point FFT)

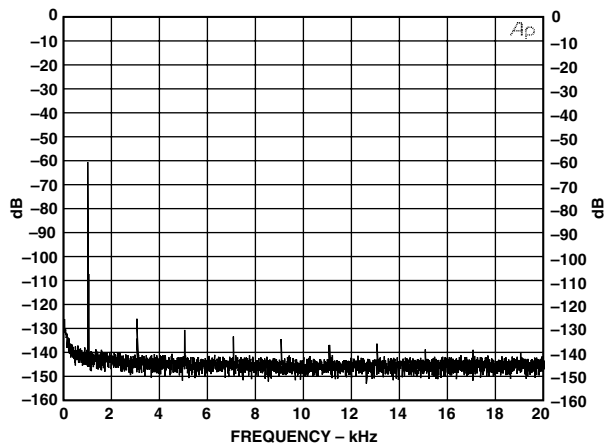


Figure 14. Dynamic Range: 1 kHz at -60 dB

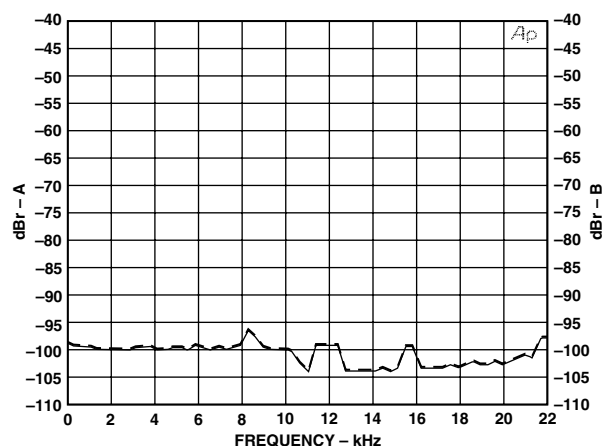


Figure 13. THD+N vs. Frequency at -0.5 dBFS

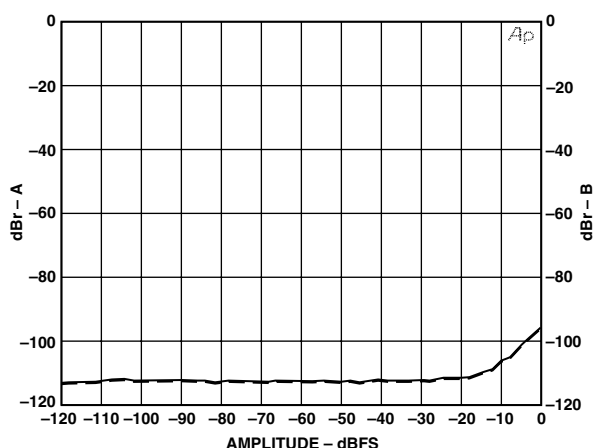


Figure 15. THD+N vs. Amplitude at 1 kHz

AD1855

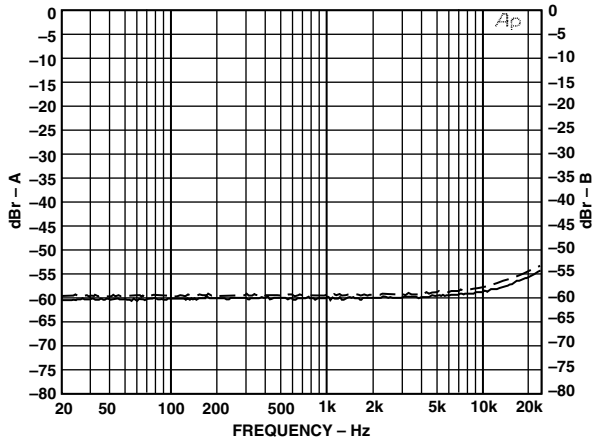


Figure 16. Power Supply Rejection to 300 mV p-p on AV_{DD}

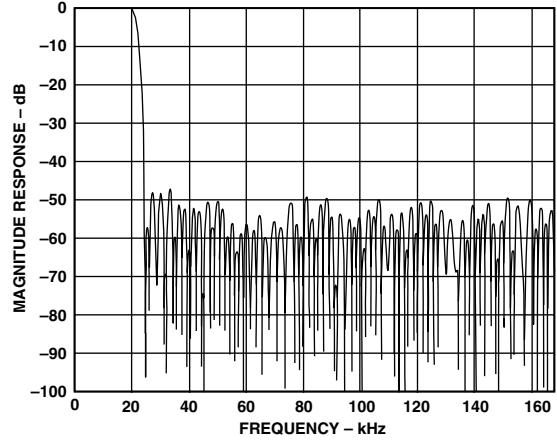


Figure 18. Digital Filter Response

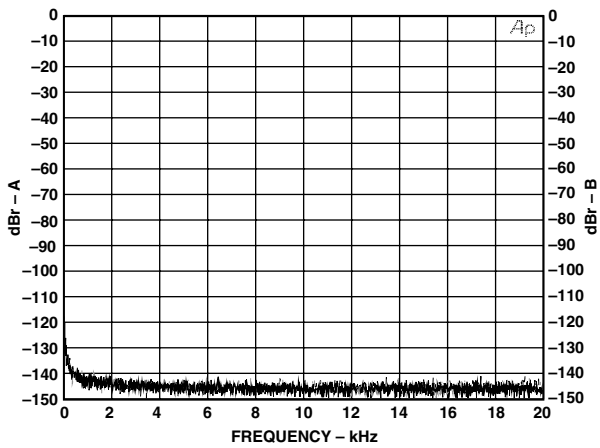


Figure 17. Noise Floor

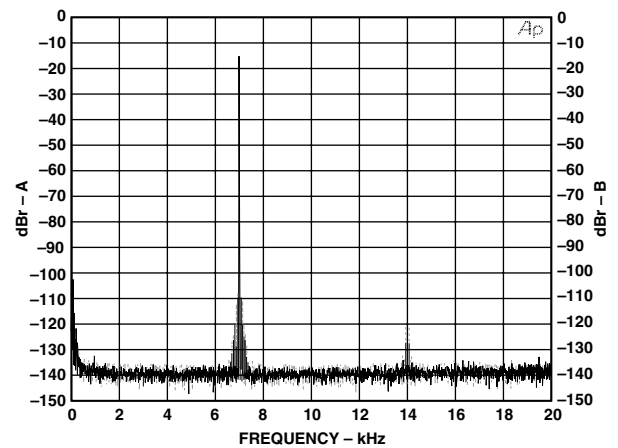


Figure 19. Two-Tone Test

Smooth Volume Control with Auto Ramp Up/Down

The AD1855 incorporates ADI's 1024 step "Smooth Volume Control" with auto ramp up/down. Once per $L/\overline{R}CLK$ cycle, the AD1855 compares current volume level register to the volume level request register Data 9 through Data 0. If different, volume is adjusted 1 step/sample. Therefore a change from max to min volume takes 1024 samples or about 20 ms as shown in Figure 20.

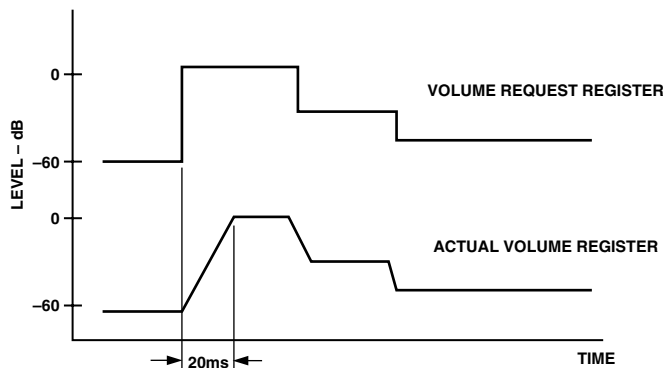


Figure 20. Smooth Volume Control

Output Drive, Buffering and Loading

The AD1855 analog output stage is able to drive a 1 k Ω (in series with 2 nF) load.

Power-Down/Reset

The AD1855 offers two methods for power-down and reset. When the $\overline{PD/RST}$ input (Pin 24) is asserted LO, the AD1855 is reset. As an alternative, the user can assert the soft power-down bit (Data 13) HI. All the registers in the AD1855 digital engine (serial data port, interpolation filter and modulator) are zeroed. The two 8-bit registers in the serial control port are initialized back to their default values. The user should wait 100 ms after bringing $\overline{PD/RST}$ HI before using the serial data input port and the serial control input. The AD1855 is designed to minimize pops and clicks when entering and exiting the power-down state. A reset should always be performed at power-on.

De-Emphasis

The AD1855 offers digital de-emphasis, supporting 50 μ s/15 μ s digital de-emphasis intended for "redbook" 44.1 kHz sample frequency playback from Compact Discs. The AD1855 offers control of de-emphasis by asserting the DEEMP input (Pin 9) HI or by asserting the de-emphasis register bit (Data 12) HI. The AD1855's de-emphasis is optimized for 44.1 kHz but will scale to the other sample frequencies.

Control Signals

The IDPM0, IDPM1, and DEEMP control inputs are normally connected HI or LO to establish the operating state of the AD1855. They can be changed dynamically (and asynchronously to $L/\overline{R}CLK$ and the master clock) as long as they are stable before the first serial data input bit (i.e., MSB) is presented to the AD1855.

AD1855

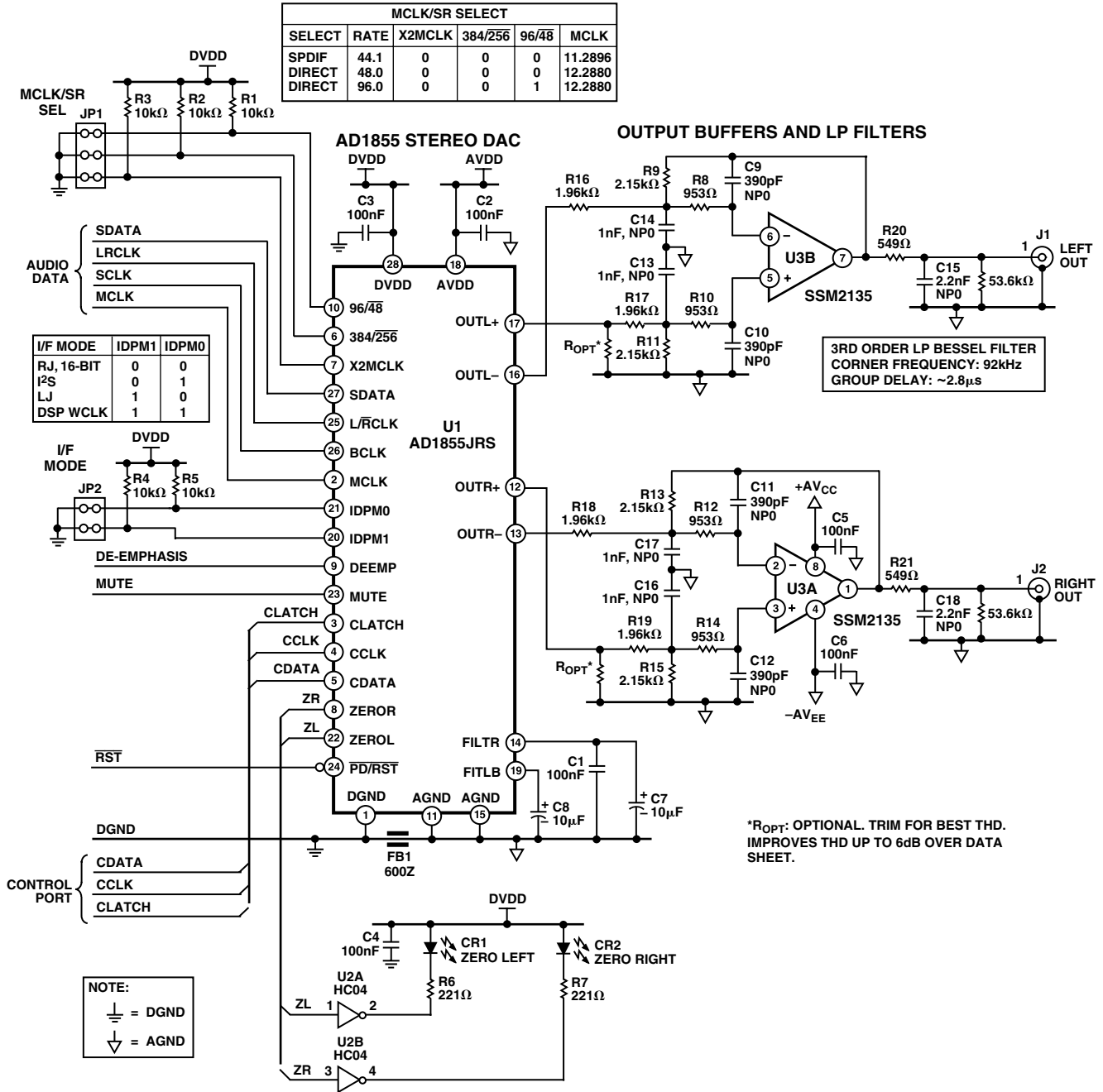
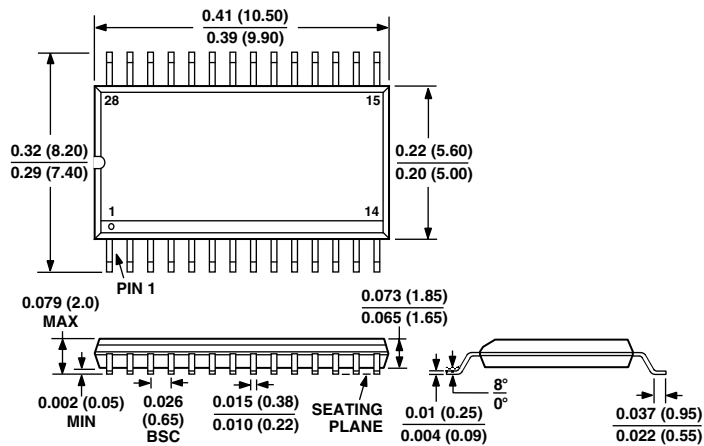


Figure 21. Evaluation Board Circuit

OUTLINE DIMENSIONS

Dimensions shown in inches and (mm).

28-Lead Shrink Small Outline Package (SSOP)
(RS-28)



C3274b-1.5-5/00 (rev. B) 00740

PRINTED IN U.S.A.