

# ACPM-7717

## Multiband Multimode PA Quad-Band GSM/EDGE and Multi Mode B1/B2/B3/B4/B5/B8/B17(20,28)

### Product Brief

#### Description

The ACPM- 7717 is a multiband, multimode PA (power amplifier) that supports GMSK and 8-PSK modulation schemes and UMTS bands 1, 2, 3, 4(34,39), 5, 8, and 17(20, 28).

A directional coupler is integrated for UMTS PAs, and the isolation port is terminated internally.

Input and output terminals are internally matched to 50 ohms. The power amplifier is manufactured on an advanced InGaP HBT technology that offers state-of-the-art reliability, temperature stability, and ruggedness. This module is housed in a cost-effective, extremely small and thin 5 mm × 7 mm package.

#### Features

- Internal daisy-chain coupler
- Quad-band GSM/EDGE
- UMTS/LTE: four high band outputs and three low band outputs
- UMTS B1, B2, B3, B4, B5, B8, and B17(20,28)
- Small size (7 mm × 5 mm)
- APT compatible
- High efficiency with APT
- Compatible with MIPI RFFE
- Forty-two-pin surface mounting package
- Internal 50-ohm matching networks for both RF input and output
- Green – Lead-free and RoHS compliant

#### Application

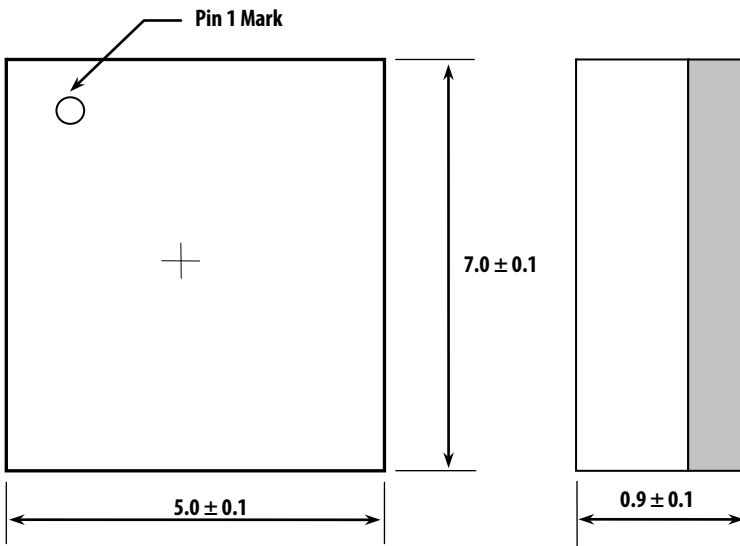
- GSM850/900, DCS1800/PCS1900
- UMTS/LTE B1, C2K BC6
- UMTS/LTE B2, LTE B25, C2K BC1
- UMTS/LTE B3
- UMTS/LTE B4
- TD-SCDMA B34, B39, TD-LTE B39
- UMTS/LTE B5, LTE B26, C2K BC0
- UMTS/LTE B8
- LTE B17, B20 or B28

#### Ordering Information

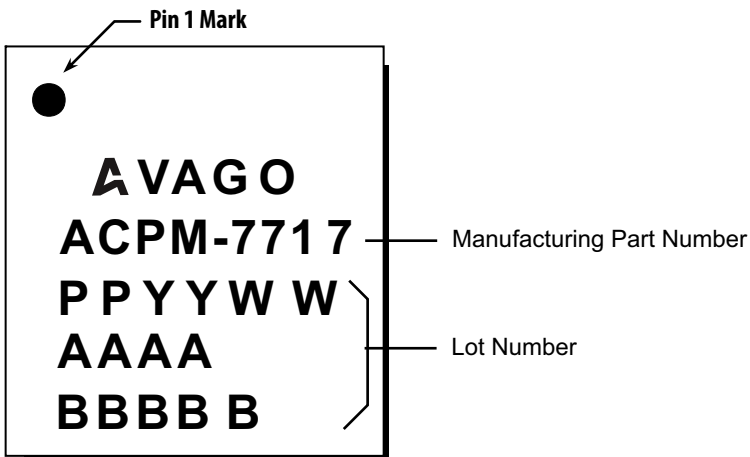
Part Number	Number of Devices	Container
ACPM-7717-TR1	1,000	178 mm (7 in.) tape/reel

## Package Dimensions

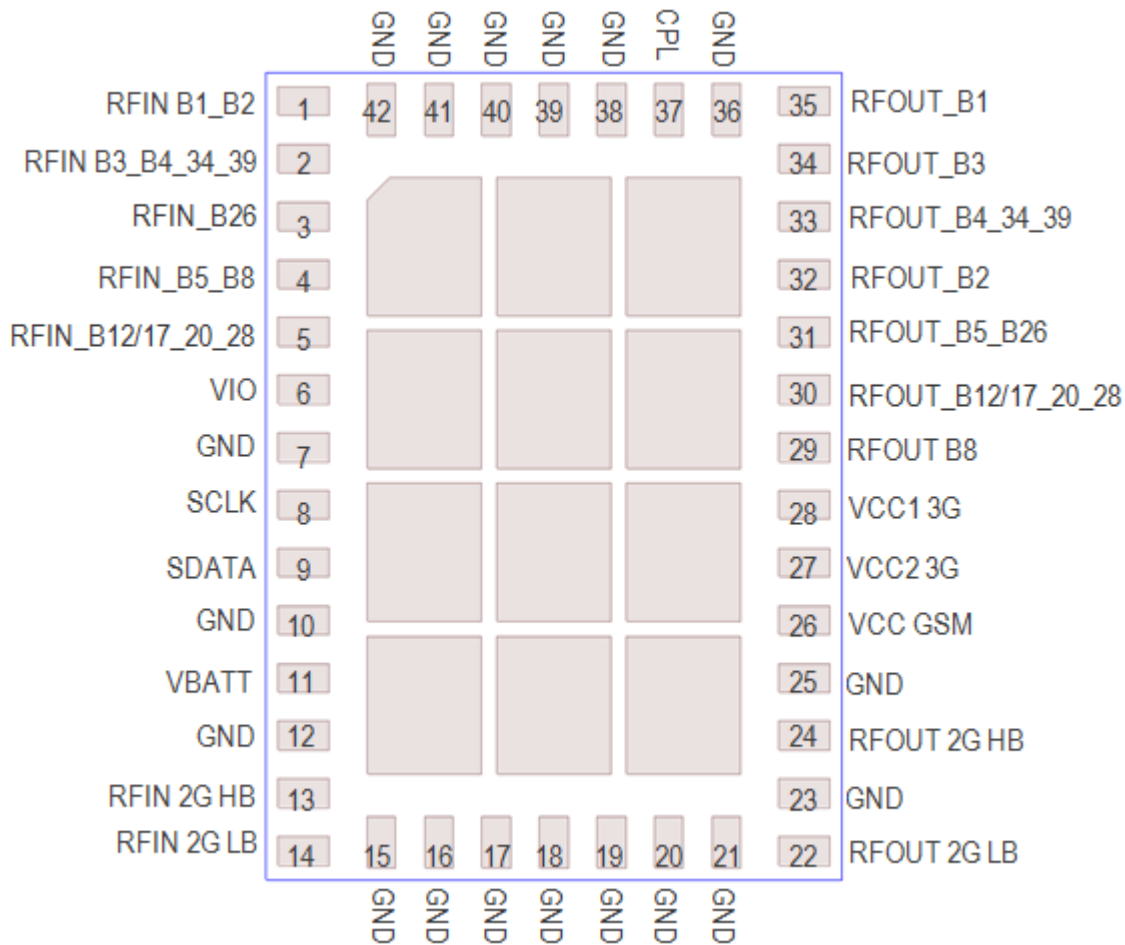
The dimensions are in millimeters.



## Marking Specification



## Pin Description



For product information and a complete list of distributors, please go to our web site:

[www.avagotech.com](http://www.avagotech.com)

Avago, Avago Technologies, and the A logo are trademarks of Avago Technologies in the United States and other countries. All other brand and product names may be trademarks of their respective companies.

Data subject to change. Copyright © 2015 Avago Technologies. All Rights Reserved.

AV02-4877EN – 2015-03-24

