

# 74CB3Q3257

4-bit 1-of-2 FET multiplexer/demultiplexer with charge pump

Rev. 1 — 14 August 2017

Product data sheet

## 1 General description

---

The 74CB3Q3257 is a quad high-bandwidth single-pole, double-throw FET bus switch. The device features one select input (S) and one output enable input ( $\overline{OE}$ ). The switch is disabled when the  $\overline{OE}$  input is HIGH. An internal charge-pump increases the gate voltage of the NMOS pass transistor. The result is improved  $R_{ON}$  and  $R_{ON(Flat)}$  performance and the ability to switch 5 V signals when  $V_{CC} = 3.3$  V.

## 2 Features and benefits

---

- Wide supply voltage range from 2.3 V to 3.6 V
- Overvoltage switching on switch ports:
  - 0 V to 5 V switching with  $V_{CC} = 2.5$  V
  - 0 V to 5 V switching with  $V_{CC} = 3.3$  V
- 4  $\Omega$  (typical) ON resistance
- 3.5 pF (typical) OFF-state capacitance
- High bandwidth 0.5 GHz (maximum)
- Low input/output capacitance minimizes loading and signal distortion
- Fast switching frequency  $f_{max} = 20$  MHz (maximum)
- Low power consumption  $I_{CC} = 0.4$  mA (typical)
- Control inputs can be driven by TTL or 5 V/3.3 V CMOS outputs
- $I_{OFF}$  supports partial power-down mode operation
- Latch-up performance exceeds 100 mA per JESD 78E Class II Level A
- ESD protection:
  - HBM ANSI/ESDA/JEDEC JS-001-2012 Class 2 exceeds 2 kV
  - CDM JESD22-C101F exceeds 1000 V
- Specified from  $-40$  °C to  $+85$  °C

## 3 Applications

---

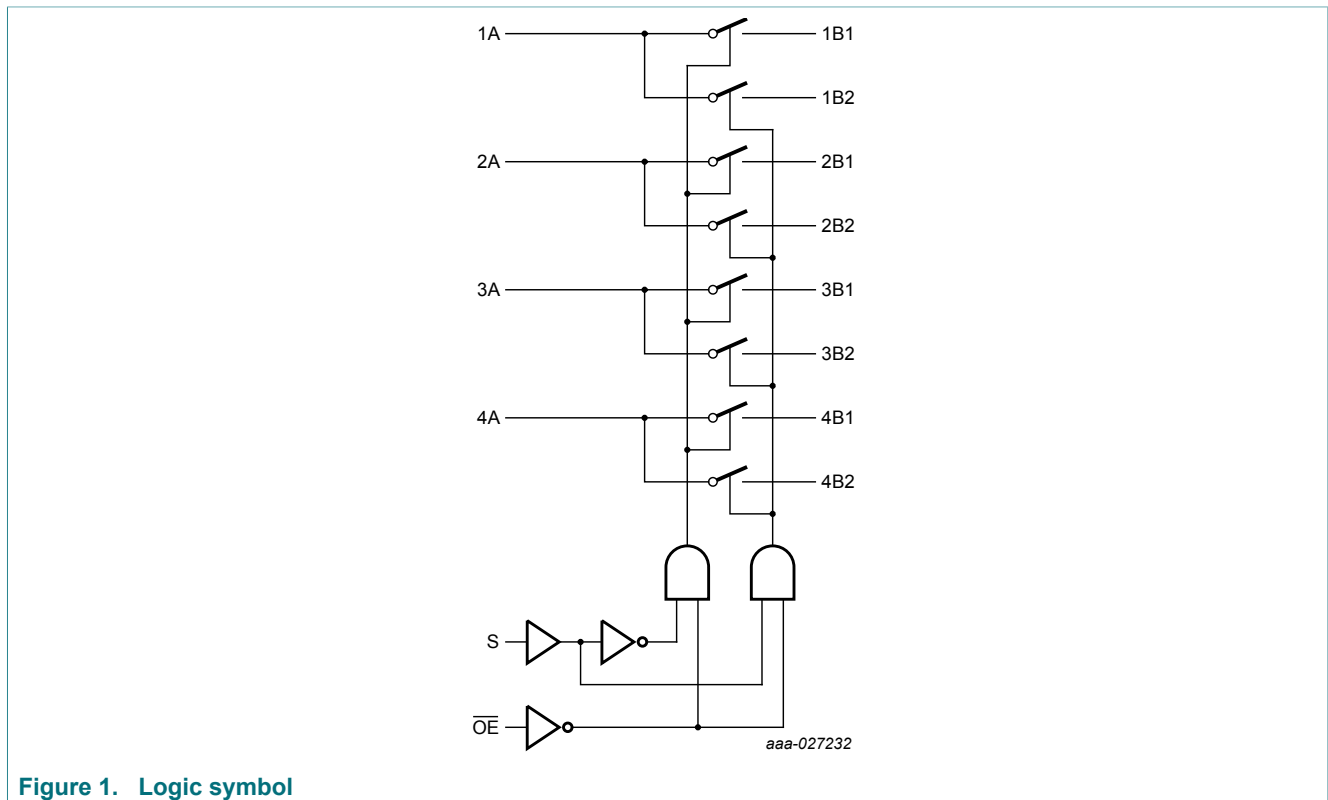
- Communication infrastructure
- Bus isolation
- Memory interleaving
- Sensor multiplexing

## 4 Ordering information

Table 1. Ordering information

| Type number  | Package           |          |  | Version  |
|--------------|-------------------|----------|--|----------|
|              | Temperature range | Name     | Description  |          |
| 74CB3Q3257PW | -40 °C to +85 °C  | TSSOP16  | plastic thin shrink small outline package; 16 leads; body width 4.4 mm   | SOT403-1 |
| 74CB3Q3257BQ | -40 °C to +85 °C  | DHVQFN16 | plastic dual in-line compatible thermal enhanced very thin quad flat package; no leads; 16 terminals; body 2.5 x 3.5 x 0.85 mm | SOT763-1 |

## 5 Functional diagram



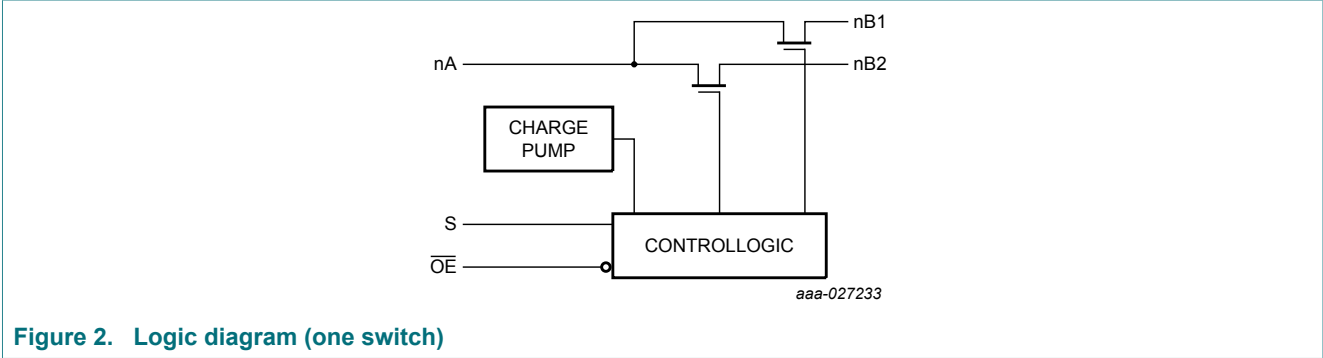


Figure 2. Logic diagram (one switch)

## 6 Pinning information

### 6.1 Pinning

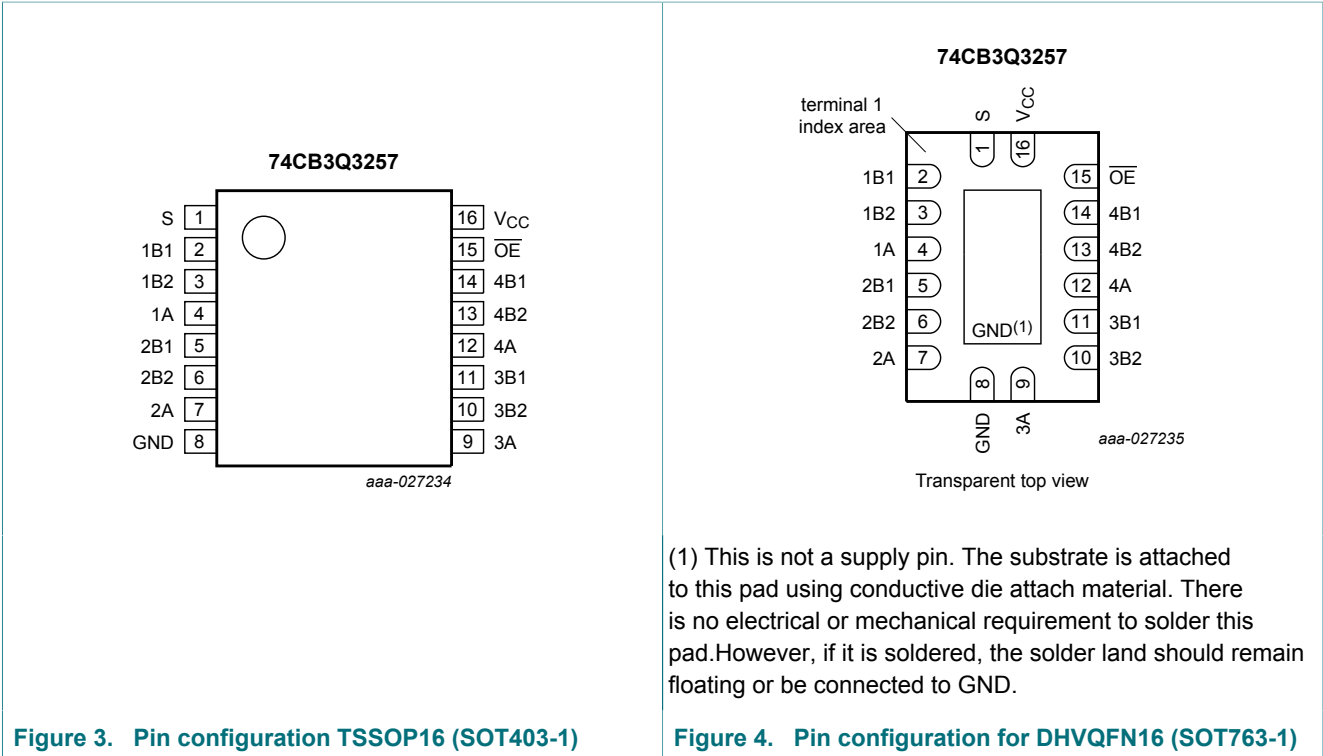


Figure 3. Pin configuration TSSOP16 (SOT403-1)

Figure 4. Pin configuration for DHVQFN16 (SOT763-1)

## 6.2 Pin description

Table 2. Pin description

| Symbol                 | Pin | Description                      |
|------------------------|-----|----------------------------------|
| S                      | 1   | select input                     |
| 1B1                    | 2   | independent input or output      |
| 1B2                    | 3   | independent input or output      |
| 1A                     | 4   | common output or input           |
| 2B1                    | 5   | independent input or output      |
| 2B2                    | 6   | independent input or output      |
| 2A                     | 7   | common output or input           |
| GND                    | 8   | ground (0 V)                     |
| 3A                     | 9   | common output or input           |
| 3B2                    | 10  | independent input or output      |
| 3B1                    | 11  | independent input or output      |
| 4A                     | 12  | common output or input           |
| 4B2                    | 13  | independent input or output      |
| 4B1                    | 14  | independent input or output      |
| $\overline{\text{OE}}$ | 15  | output enable input (active-LOW) |
| V <sub>CC</sub>        | 16  | supply voltage                   |

## 7 Functional description

Table 3. Function table

*H = HIGH voltage level; L = LOW voltage level; X = don't care; Z = high-impedance OFF-state.*

| Input |    | Channel on     |
|-------|----|----------------|
| S     | OE |                |
| L     | L  | nA = nB1       |
| H     | L  | nA = nB2       |
| X     | H  | Z (switch off) |

## 8 Limiting values

**Table 4. Limiting values**

In accordance with the Absolute Maximum Rating System (IEC 60134). Voltages are referenced to GND (ground = 0 V).

| Symbol    | Parameter               | Conditions                       | Min  | Max       | Unit |
|-----------|-------------------------|----------------------------------|------|-----------|------|
| $V_{CC}$  | supply voltage          |                                  | -0.5 | +4.6      | V    |
| $V_I$     | input voltage           | S, $\overline{OE}$ input [1]     | -0.5 | +7.0      | V    |
| $V_{SW}$  | switch voltage          | [2]                              | -0.5 | +7.0      | V    |
| $I_{IK}$  | input clamping current  | $V_I < -0.5$ V                   | -50  | -         | mA   |
| $I_{SK}$  | switch clamping current | $V_I < -0.5$ V                   | -50  | -         | mA   |
| $I_{SW}$  | switch current          |                                  | -    | $\pm 120$ | mA   |
| $I_{CC}$  | supply current          |                                  | -    | +100      | mA   |
| $I_{GND}$ | ground current          |                                  | -100 | -         | mA   |
| $T_{stg}$ | storage temperature     |                                  | -65  | +150      | °C   |
| $P_{tot}$ | total power dissipation | $T_{amb} = -40$ °C to +85 °C [3] | -    | 500       | mW   |

[1] The minimum input voltage rating may be exceeded if the input current rating is observed.

[2] The minimum and maximum switch voltage ratings may be exceeded if the switch clamping current rating is observed.

[3] For TSSOP16 package:  $P_{tot}$  derates linearly with 5.5 mW/K above 60 °C.

For DHVQFN16 package:  $P_{tot}$  derates linearly with 4.5 mW/K above 60 °C.

## 9 Recommended operating conditions

**Table 5. Recommended operating conditions**

| Symbol              | Parameter                           | Conditions                | Min | Max | Unit |
|---------------------|-------------------------------------|---------------------------|-----|-----|------|
| $V_{CC}$            | supply voltage                      |                           | 2.3 | 3.6 | V    |
| $V_I$               | input voltage                       | S, $\overline{OE}$ input  | 0   | 5.5 | V    |
| $V_{SW}$            | switch voltage                      |                           | 0   | 5.5 | V    |
| $T_{amb}$           | ambient temperature                 |                           | -40 | +85 | °C   |
| $\Delta t/\Delta V$ | input transition rise and fall rate | S, $\overline{OE}$ input  |     |     |      |
|                     |                                     | $V_{CC} = 2.3$ V to 2.7 V | 0   | 20  | ns/V |
|                     |                                     | $V_{CC} = 2.7$ V to 3.6 V | 0   | 10  | ns/V |

## 10 Static characteristics

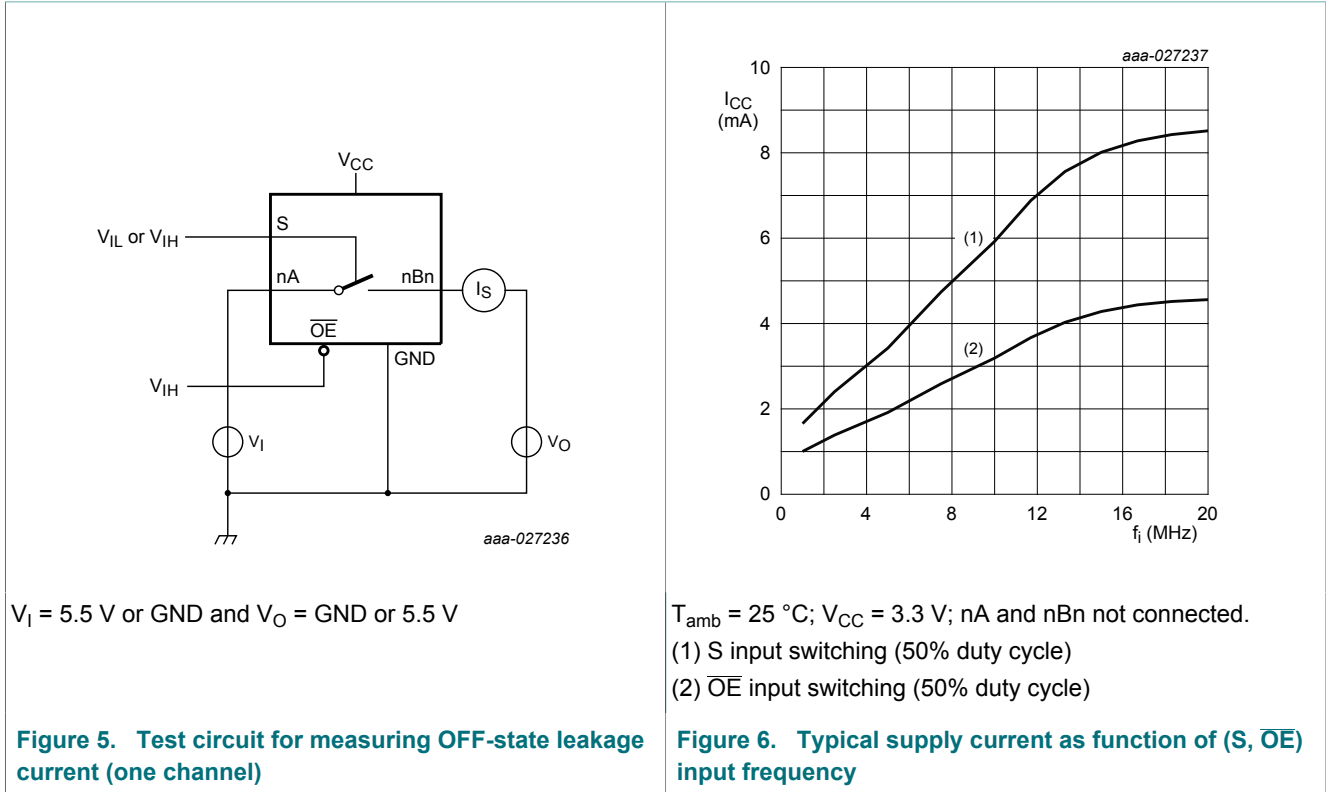
**Table 6. Static characteristics**

At recommended operating conditions; voltages are referenced to GND (ground 0 V).

| Symbol              | Parameter                 | Conditions   | T <sub>amb</sub> = 25 °C |                    |     | T <sub>amb</sub> = -40 °C to +85 °C |      | Unit |
|---------------------|---------------------------|--|--------------------------|--------------------|-----|-------------------------------------|------|------|
|                     |                           |  | Min                      | Typ <sup>[1]</sup> | Max | Min                                 | Max  |      |
| V <sub>IH</sub>     | HIGH-level input voltage  | V <sub>CC</sub> = 2.3 V to 2.7 V   | -                        | -                  | -   | 1.7                                 | -    | V    |
|                     |                           | V <sub>CC</sub> = 2.7 V to 3.6 V   | -                        | -                  | -   | 2                                   | -    | V    |
| V <sub>IL</sub>     | LOW-level input voltage   | V <sub>CC</sub> = 2.3 V to 2.7 V   | -                        | -                  | -   | -                                   | 0.7  | V    |
|                     |                           | V <sub>CC</sub> = 2.7 V to 3.6 V   | -                        | -                  | -   | -                                   | 0.8  | V    |
| V <sub>IK</sub>     | input clamping voltage    | nA, nBn; V <sub>CC</sub> = 3.6 V; I <sub>I</sub> = -18 mA  | -                        | -                  | -   | -                                   | -1.8 | V    |
| I <sub>I</sub>      | input leakage current     | S, $\overline{OE}$ ; V <sub>CC</sub> = 3.6 V; V <sub>I</sub> = GND to 5.5 V  | -                        | -                  | -   | -                                   | ±1   | μA   |
| I <sub>OFF</sub>    | power-off leakage current | per pin; V <sub>CC</sub> = 0 V; V <sub>SW</sub> or V <sub>I</sub> = 0 V to 5.5 V   | -                        | -                  | -   | -                                   | ±1   | μA   |
| I <sub>S(OFF)</sub> | OFF-state leakage current | nA, nBn; V <sub>CC</sub> = 3.6 V; see <a href="#">Figure 5</a>   | -                        | -                  | -   | -                                   | ±1   | μA   |
| I <sub>CC</sub>     | supply current            | V <sub>I</sub> = GND or V <sub>CC</sub> ; I <sub>O</sub> = 0 A; V <sub>SW</sub> = GND or V <sub>CC</sub> ; V <sub>CC</sub> = 3.6 V | -                        | 0.4                | -   | -                                   | 0.6  | mA   |
| ΔI <sub>CC</sub>    | additional supply current | S, $\overline{OE}$ ; V <sub>CC</sub> = 3.6 V; one input at 3 V, other inputs at GND or V <sub>CC</sub>                             | -                        | -                  | -   | -                                   | 30   | μA   |
| C <sub>I</sub>      | input capacitance         | V <sub>CC</sub> = 3.3 V; V <sub>SW</sub> = GND or V <sub>CC</sub> ; V <sub>I</sub> = 0 V, 3.3 V, 5.5 V                             |                          |                    |     |                                     |      |      |
|                     |                           | S, $\overline{OE}$   | -                        | 2.5                | -   | -                                   | 3.5  | pF   |
| C <sub>S(OFF)</sub> | OFF-state capacitance     | V <sub>CC</sub> = 3.3 V; V <sub>SW</sub> = 0 V, 3.3 V, 5.5 V   |                          |                    |     |                                     |      |      |
|                     |                           | nA   | -                        | 5.5                | -   | -                                   | 7    | pF   |
|                     |                           | nBn  | -                        | 3.5                | -   | -                                   | 5    | pF   |
| C <sub>S(ON)</sub>  | ON-state capacitance      | V <sub>CC</sub> = 3.3 V; V <sub>SW</sub> = 0 V, 3.3 V, 5.5 V   |                          |                    |     |                                     |      |      |
|                     |                           | nA, nBn  | -                        | 10.5               | -   | -                                   | 13   | pF   |

[1] Typical values are measured at V<sub>CC</sub> = 3.3 V unless otherwise specified.

10.1 Test circuit and graph



10.2 ON resistance

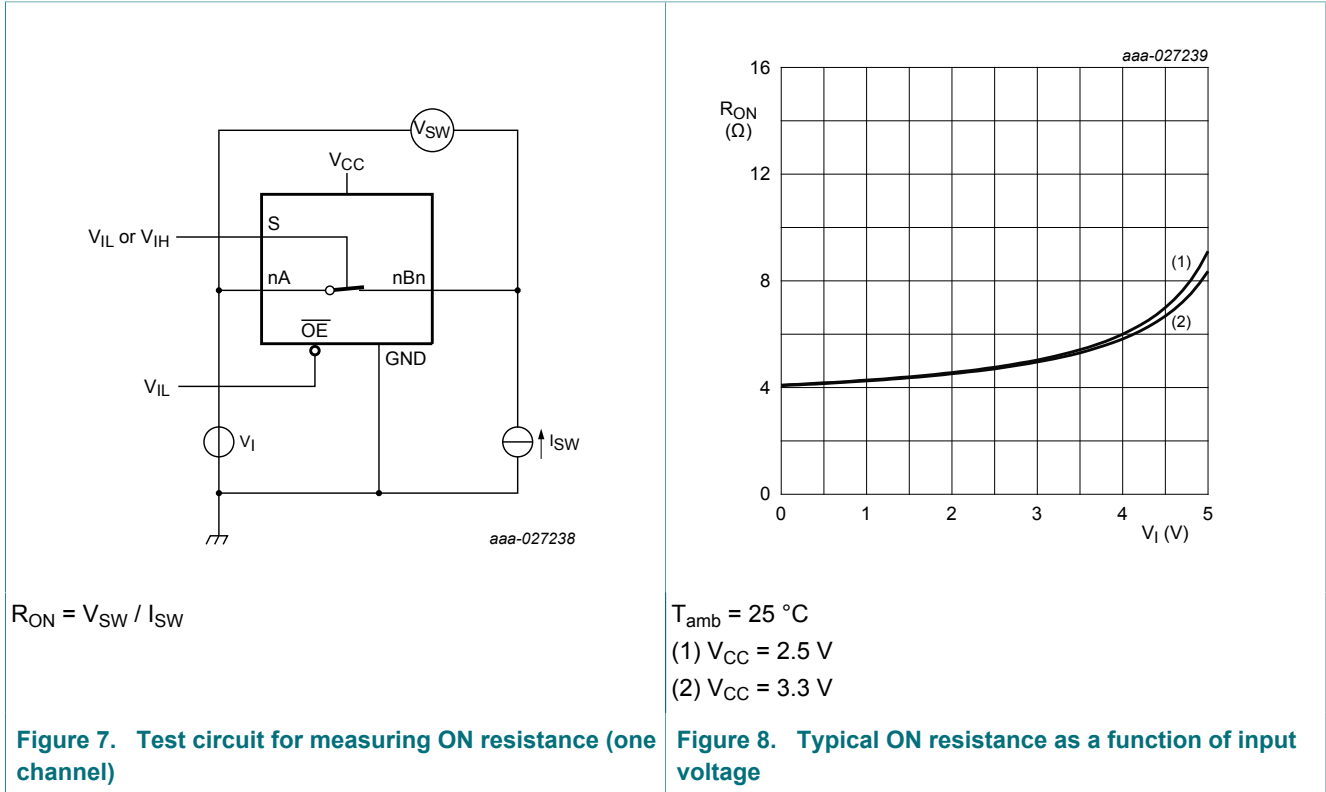
Table 7. ON resistance

At recommended operating conditions; voltages are referenced to GND (ground = 0 V); for test circuit see Figure 7.

| Symbol   | Parameter     | Conditions                                       | $T_{amb} = 25\text{ }^\circ\text{C}$ |     |     | $T_{amb} = -40\text{ }^\circ\text{C to } +85\text{ }^\circ\text{C}$ |     | Unit     |
|----------|---------------|--|--------------------------------------|-----|-----|---|-----|----------|
|          |               |  | Min                                  | Typ | Max | Min   | Max |          |
| $R_{ON}$ | ON resistance | $V_{CC} = 2.3\text{ V}; \text{ see Figure 8}$    |                                      |     |     |   |     |          |
|          |               | $V_I = 0\text{ V}; I_{SW} = 30\text{ mA}$ [1]    | -                                    | 4   | -   | -   | 8   | $\Omega$ |
|          |               | $V_I = 1.7\text{ V}; I_{SW} = -15\text{ mA}$ [1] | -                                    | 4.4 | -   | -   | 9   | $\Omega$ |
|          |               | $V_{CC} = 3.0\text{ V}; \text{ see Figure 8}$    |                                      |     |     |   |     |          |
|          |               | $V_I = 0\text{ V}; I_{SW} = 30\text{ mA}$ [2]    | -                                    | 4   | -   | -   | 6   | $\Omega$ |
|          |               | $V_I = 2.4\text{ V}; I_{SW} = -15\text{ mA}$ [2] | -                                    | 4.7 | -   | -   | 8   | $\Omega$ |

[1] Typical values are measured at  $V_{CC} = 2.5\text{ V}$ .  
 [2] Typical values are measured at  $V_{CC} = 3.3\text{ V}$ .

10.3 ON resistance test circuit and graph



11 Dynamic characteristics

Table 8. Dynamic characteristics

At recommended operating conditions; voltages are referenced to GND (ground = 0 V); for test circuit, see Figure 11.

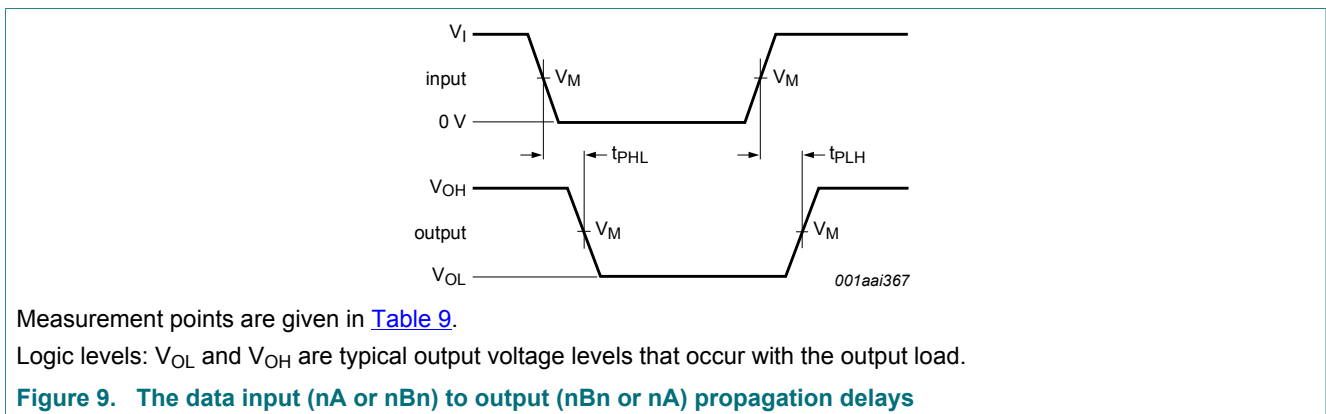
| Symbol   | Parameter         | Conditions                                   | $T_{amb} = -40\text{ °C to }+85\text{ °C}$ |      | Unit |
|----------|-------------------|--|--|------|------|
|          |                   |  | Min  | Max  |      |
| $t_{pd}$ | propagation delay | nA to nBn or nBn to nA; see Figure 9 [1] [2] |  |      |      |
|          |                   | $V_{CC} = 2.3\text{ V to }2.7\text{ V}$      | -  | 0.12 | ns   |
|          |                   | $V_{CC} = 3.0\text{ V to }3.6\text{ V}$      | -  | 0.20 | ns   |
|          |                   | S to nA; see Figure 9 [1]                    |  |      |      |
|          |                   | $V_{CC} = 2.3\text{ V to }2.7\text{ V}$      | 1.5  | 6.5  | ns   |
|          |                   | $V_{CC} = 3.0\text{ V to }3.6\text{ V}$      | 1.5  | 5.5  | ns   |



| Symbol           | Parameter         | Conditions   | T <sub>amb</sub> = -40 °C to +85 °C |     | Unit |
|------------------|-------------------|--|-------------------------------------|-----|------|
|                  |                   |  | Min                                 | Max |      |
| t <sub>en</sub>  | enable time       | $\overline{OE}$ to nA, nBn; see <a href="#">Figure 10</a> [1]  |                                     |     |      |
|                  |                   | V <sub>CC</sub> = 2.3 V to 2.7 V   | 1.5                                 | 6.5 | ns   |
|                  |                   | V <sub>CC</sub> = 3.0 V to 3.6 V   | 1.5                                 | 5.5 | ns   |
|                  |                   | S to nBn; see <a href="#">Figure 10</a> [1]  |                                     |     |      |
|                  |                   | V <sub>CC</sub> = 2.3 V to 2.7 V   | 1.5                                 | 6.5 | ns   |
|                  |                   | V <sub>CC</sub> = 3.0 V to 3.6 V   | 1.5                                 | 5.5 | ns   |
| t <sub>dis</sub> | disable time      | $\overline{OE}$ to nA, nBn; see <a href="#">Figure 10</a> [1]  |                                     |     |      |
|                  |                   | V <sub>CC</sub> = 2.3 V to 2.7 V   | 1.0                                 | 6.0 | ns   |
|                  |                   | V <sub>CC</sub> = 3.0 V to 3.6 V   | 1.0                                 | 6.0 | ns   |
|                  |                   | S to nBn; see <a href="#">Figure 10</a> [1]  |                                     |     |      |
|                  |                   | V <sub>CC</sub> = 2.3 V to 2.7 V   | 1.0                                 | 6.0 | ns   |
|                  |                   | V <sub>CC</sub> = 3.0 V to 3.6 V   | 1.0                                 | 6.0 | ns   |
| f <sub>max</sub> | maximum frequency | S, $\overline{OE}$ ; V <sub>O</sub> > V <sub>CC</sub> ; V <sub>I</sub> = 5 V; R <sub>L</sub> ≥ 1 MΩ; C <sub>L</sub> = 0 pF |                                     |     |      |
|                  |                   | V <sub>CC</sub> = 2.3 V to 2.7 V   | -                                   | 10  | MHz  |
|                  |                   | V <sub>CC</sub> = 3.0 V to 3.6 V   | -                                   | 20  | MHz  |

- [1] t<sub>pd</sub> is the same as t<sub>PLH</sub> and t<sub>PHL</sub>.  
t<sub>en</sub> is the same as t<sub>PZL</sub> and t<sub>PZH</sub>.  
t<sub>dis</sub> is the same as t<sub>PLZ</sub> and t<sub>PHZ</sub>.
- [2] The propagation delay is the calculated RC time constant of the typical ON resistance of the switch and the specified load capacitance, when driven by an ideal voltage source (zero output impedance).

### 11.1 Waveforms and test circuit



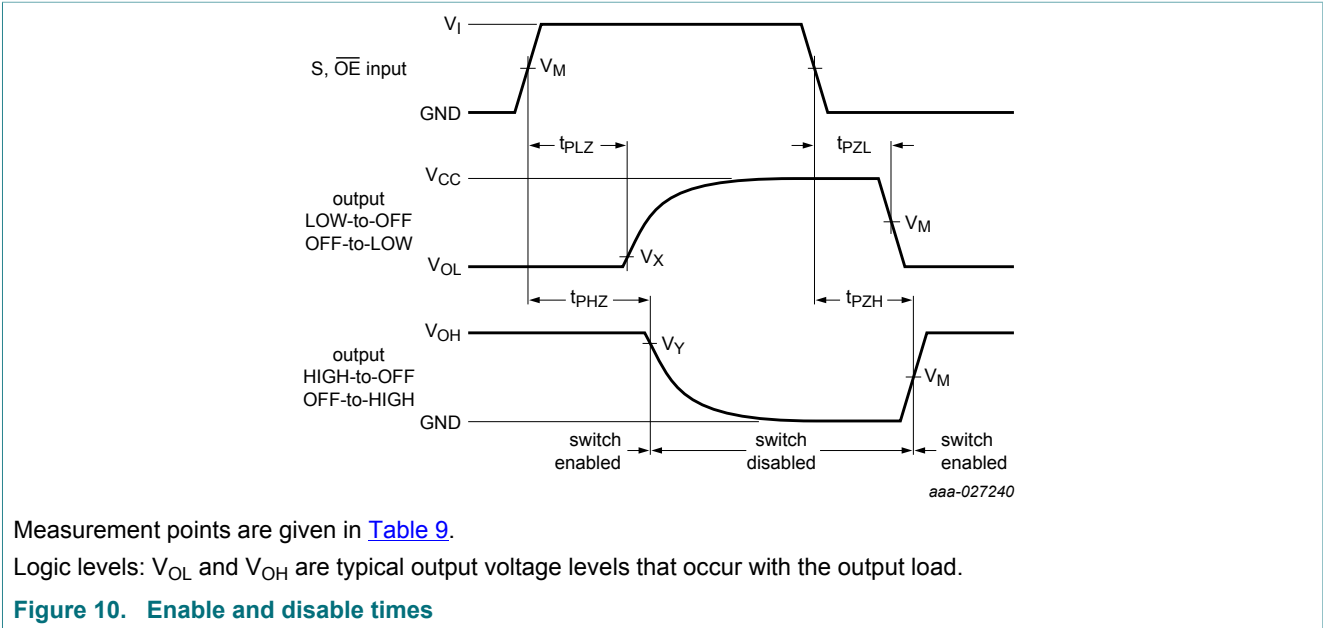
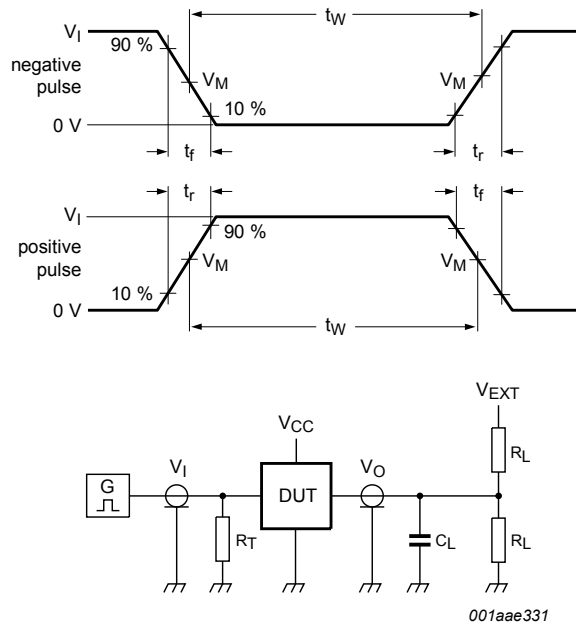


Table 9. Measurement points

| Supply voltage | Input               | Output              |                           |                           |
|----------------|---------------------|---------------------|---------------------------|---------------------------|
| $V_{CC}$       | $V_M$               | $V_M$               | $V_X$                     | $V_Y$                     |
| 2.3 V to 2.7 V | $0.5 \times V_{CC}$ | $0.5 \times V_{CC}$ | $V_{OL} + 0.15 \text{ V}$ | $V_{OH} - 0.15 \text{ V}$ |
| 3.0 V to 3.6 V | $0.5 \times V_{CC}$ | $0.5 \times V_{CC}$ | $V_{OL} + 0.3 \text{ V}$  | $V_{OH} - 0.3 \text{ V}$  |



Test data is given in [Table 10](#).

Definitions for test circuit:

$R_L$  = Load resistance.

$C_L$  = Load capacitance including jig and probe capacitance.

$R_T$  = Termination resistance should be equal to the output impedance  $Z_o$  of the pulse generator.

$V_{EXT}$  = External voltage for measuring switching times.

**Figure 11. Test circuit for measuring switching times**

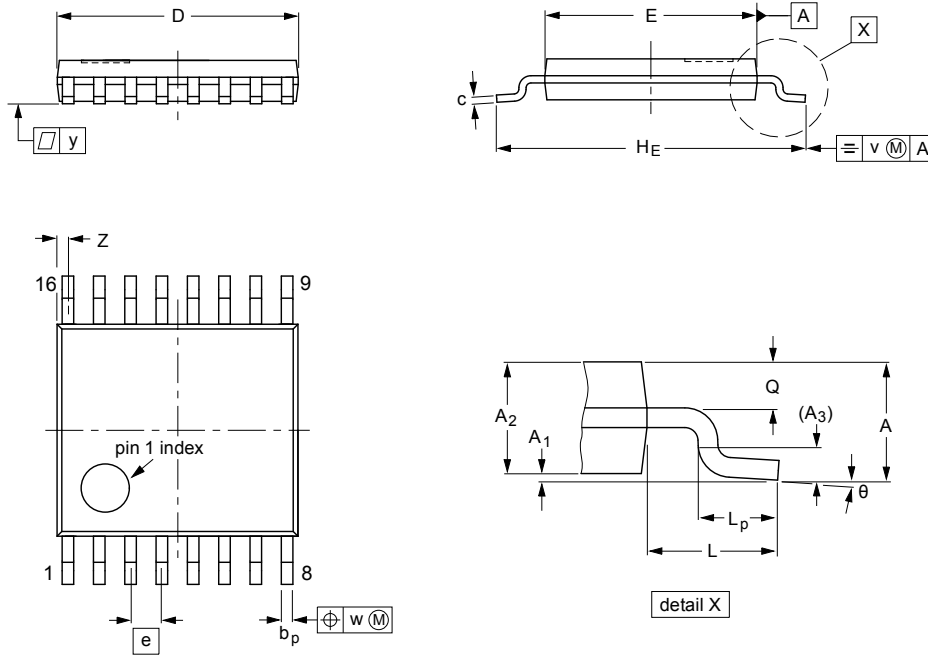
**Table 10. Test data**

| Supply voltage | Input    | Load          |       |              | $V_{EXT}$          |                    |                    |
|----------------|----------|---------------|-------|--------------|--------------------|--------------------|--------------------|
| $V_{CC}$       | $V_I$    | $t_r, t_f$    | $C_L$ | $R_L$        | $t_{PLH}, t_{PHL}$ | $t_{PLZ}, t_{PZL}$ | $t_{PZH}, t_{PHZ}$ |
| 2.3 V to 2.7 V | $V_{CC}$ | $\leq 2.5$ ns | 30 pF | 500 $\Omega$ | open               | $2 \times V_{CC}$  | GND                |
| 3.0 V to 3.6 V | $V_{CC}$ | $\leq 2.5$ ns | 50 pF | 500 $\Omega$ | open               | $2 \times V_{CC}$  | GND                |

12 Package outline

TSSOP16: plastic thin shrink small outline package; 16 leads; body width 4.4 mm

SOT403-1



DIMENSIONS (mm are the original dimensions)

| UNIT | A max. | A <sub>1</sub> | A <sub>2</sub> | A <sub>3</sub> | b <sub>p</sub> | c          | D <sup>(1)</sup> | E <sup>(2)</sup> | e    | H <sub>E</sub> | L | L <sub>p</sub> | Q          | v   | w    | y   | Z <sup>(1)</sup> | θ        |
|------|--------|----------------|----------------|----------------|----------------|------------|------------------|------------------|------|----------------|---|----------------|------------|-----|------|-----|------------------|----------|
| mm   | 1.1    | 0.15<br>0.05   | 0.95<br>0.80   | 0.25           | 0.30<br>0.19   | 0.2<br>0.1 | 5.1<br>4.9       | 4.5<br>4.3       | 0.65 | 6.6<br>6.2     | 1 | 0.75<br>0.50   | 0.4<br>0.3 | 0.2 | 0.13 | 0.1 | 0.40<br>0.06     | 8°<br>0° |

Notes

1. Plastic or metal protrusions of 0.15 mm maximum per side are not included.
2. Plastic interlead protrusions of 0.25 mm maximum per side are not included.

| OUTLINE VERSION | REFERENCES |        |       |  | EUROPEAN PROJECTION | ISSUE DATE           |
|-----------------|------------|--------|-------|--|---------------------|----------------------|
|                 | IEC        | JEDEC  | JEITA |  |                     |                      |
| SOT403-1        |            | MO-153 |       |  |                     | 99-12-27<br>03-02-18 |

Figure 12. Package outline SOT403-1 (TSSOP16)

DHVQFN16: plastic dual in-line compatible thermal enhanced very thin quad flat package; no leads; 16 terminals; body 2.5 x 3.5 x 0.85 mm

SOT763-1

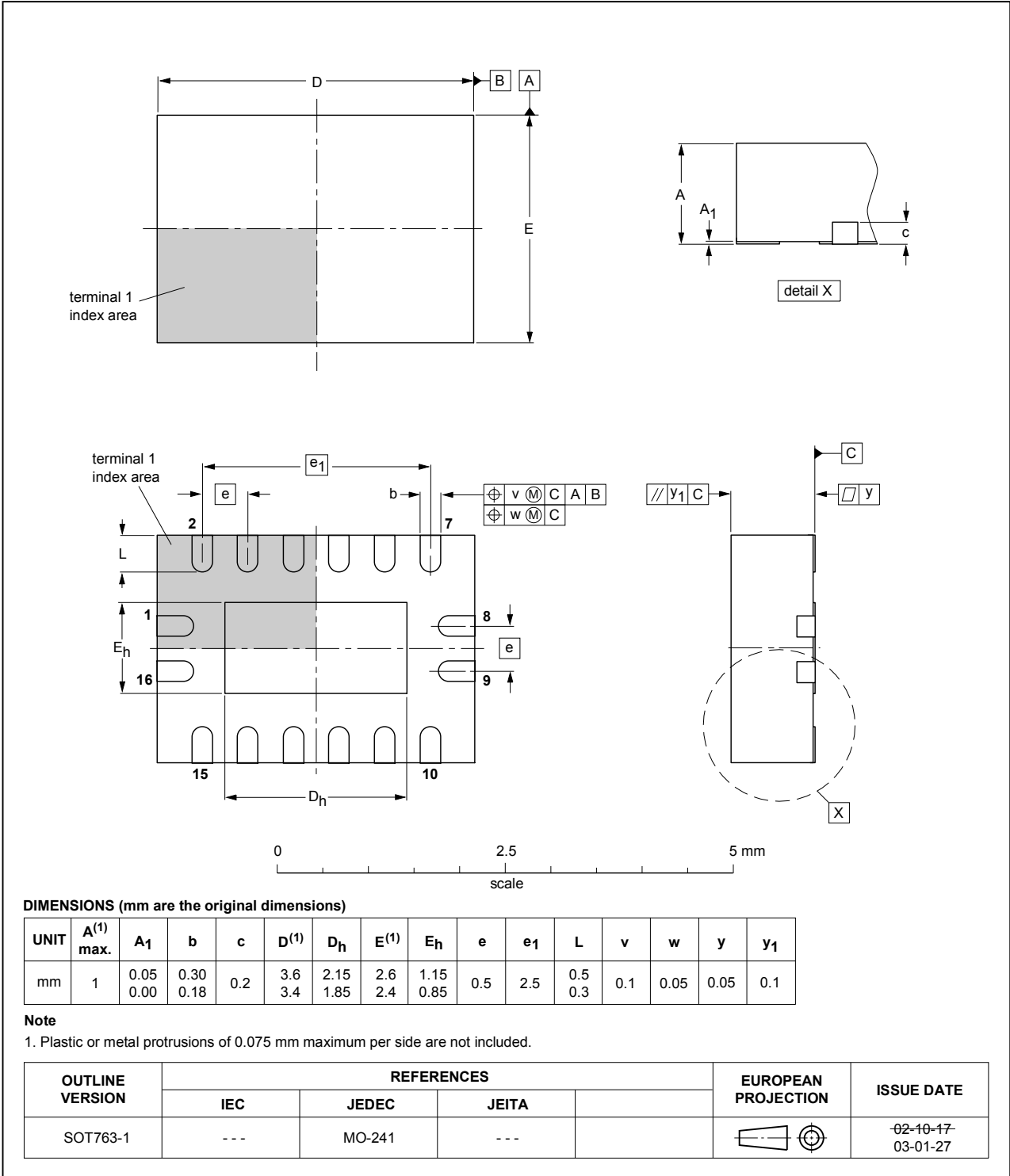


Figure 13. Package outline SOT763-1 (DHVQFN16)

## 13 Abbreviations

Table 11. Abbreviations

| Acronym | Description                             |
|---------|---|
| CDM     | Charged Device Model                    |
| CMOS    | Complementary Metal Oxide Semiconductor |
| ESD     | ElectroStatic Discharge                 |
| HBM     | Human Body Model                        |

## 14 Revision history

Table 12. Revision history

| Document ID    | Release date | Data sheet status  | Change notice | Supersedes |
|----------------|--------------|--------------------|---------------|------------|
| 74CB3Q3257 v.1 | 20170814     | Product data sheet | -             | -          |

## 15 Legal information

### 15.1 Data sheet status

| Document status <sup>[1][2]</sup> | Product status <sup>[3]</sup> | Definition  |
|-----------------------------------|-------------------------------|---|
| Objective [short] data sheet      | Development                   | This document contains data from the objective specification for product development. |
| Preliminary [short] data sheet    | Qualification                 | This document contains data from the preliminary specification.                       |
| Product [short] data sheet        | Production                    | This document contains the product specification.                                     |

[1] Please consult the most recently issued document before initiating or completing a design.

[2] The term 'short data sheet' is explained in section "Definitions".

[3] The product status of device(s) described in this document may have changed since this document was published and may differ in case of multiple devices. The latest product status information is available on the Internet at URL <http://www.nexperia.com>.

### 15.2 Definitions

**Draft** — The document is a draft version only. The content is still under internal review and subject to formal approval, which may result in modifications or additions. Nexperia does not give any representations or warranties as to the accuracy or completeness of information included herein and shall have no liability for the consequences of use of such information.

**Short data sheet** — A short data sheet is an extract from a full data sheet with the same product type number(s) and title. A short data sheet is intended for quick reference only and should not be relied upon to contain detailed and full information. For detailed and full information see the relevant full data sheet, which is available on request via the local Nexperia sales office. In case of any inconsistency or conflict with the short data sheet, the full data sheet shall prevail.

**Product specification** — The information and data provided in a Product data sheet shall define the specification of the product as agreed between Nexperia and its customer, unless Nexperia and customer have explicitly agreed otherwise in writing. In no event however, shall an agreement be valid in which the Nexperia product is deemed to offer functions and qualities beyond those described in the Product data sheet.

### 15.3 Disclaimers

**Limited warranty and liability** — Information in this document is believed to be accurate and reliable. However, Nexperia does not give any representations or warranties, expressed or implied, as to the accuracy or completeness of such information and shall have no liability for the consequences of use of such information. Nexperia takes no responsibility for the content in this document if provided by an information source outside of Nexperia. In no event shall Nexperia be liable for any indirect, incidental, punitive, special or consequential damages (including - without limitation - lost profits, lost savings, business interruption, costs related to the removal or replacement of any products or rework charges) whether or not such damages are based on tort (including negligence), warranty, breach of contract or any other legal theory. Notwithstanding any damages that customer might incur for any reason whatsoever, Nexperia's aggregate and cumulative liability towards customer for the products described herein shall be limited in accordance with the Terms and conditions of commercial sale of Nexperia.

**Right to make changes** — Nexperia reserves the right to make changes to information published in this document, including without limitation specifications and product descriptions, at any time and without notice. This document supersedes and replaces all information supplied prior to the publication hereof.

**Suitability for use** — Nexperia products are not designed, authorized or warranted to be suitable for use in life support, life-critical or safety-critical

systems or equipment, nor in applications where failure or malfunction of an Nexperia product can reasonably be expected to result in personal injury, death or severe property or environmental damage. Nexperia and its suppliers accept no liability for inclusion and/or use of Nexperia products in such equipment or applications and therefore such inclusion and/or use is at the customer's own risk.

**Applications** — Applications that are described herein for any of these products are for illustrative purposes only. Nexperia makes no representation or warranty that such applications will be suitable for the specified use without further testing or modification. Customers are responsible for the design and operation of their applications and products using Nexperia products, and Nexperia accepts no liability for any assistance with applications or customer product design. It is customer's sole responsibility to determine whether the Nexperia product is suitable and fit for the customer's applications and products planned, as well as for the planned application and use of customer's third party customer(s). Customers should provide appropriate design and operating safeguards to minimize the risks associated with their applications and products. Nexperia does not accept any liability related to any default, damage, costs or problem which is based on any weakness or default in the customer's applications or products, or the application or use by customer's third party customer(s). Customer is responsible for doing all necessary testing for the customer's applications and products using Nexperia products in order to avoid a default of the applications and the products or of the application or use by customer's third party customer(s). Nexperia does not accept any liability in this respect.

**Limiting values** — Stress above one or more limiting values (as defined in the Absolute Maximum Ratings System of IEC 60134) will cause permanent damage to the device. Limiting values are stress ratings only and (proper) operation of the device at these or any other conditions above those given in the Recommended operating conditions section (if present) or the Characteristics sections of this document is not warranted. Constant or repeated exposure to limiting values will permanently and irreversibly affect the quality and reliability of the device.

**Terms and conditions of commercial sale** — Nexperia products are sold subject to the general terms and conditions of commercial sale, as published at <http://www.nexperia.com/profile/terms>, unless otherwise agreed in a valid written individual agreement. In case an individual agreement is concluded only the terms and conditions of the respective agreement shall apply. Nexperia hereby expressly objects to applying the customer's general terms and conditions with regard to the purchase of Nexperia products by customer.

**No offer to sell or license** — Nothing in this document may be interpreted or construed as an offer to sell products that is open for acceptance or the grant, conveyance or implication of any license under any copyrights, patents or other industrial or intellectual property rights.

**Export control** — This document as well as the item(s) described herein may be subject to export control regulations. Export might require a prior authorization from competent authorities.

**Non-automotive qualified products** — Unless this data sheet expressly states that this specific Nexperia product is automotive qualified, the product is not suitable for automotive use. It is neither qualified nor tested in accordance with automotive testing or application requirements. Nexperia accepts no liability for inclusion and/or use of non-automotive qualified products in automotive equipment or applications. In the event that customer uses the product for design-in and use in automotive applications to automotive specifications and standards, customer (a) shall use the product without Nexperia's warranty of the product for such automotive applications, use and specifications, and (b) whenever customer uses the product for automotive applications beyond Nexperia's specifications such use shall be solely at customer's own risk, and (c) customer fully indemnifies Nexperia for any liability, damages or failed product claims resulting from customer

design and use of the product for automotive applications beyond Nexperia's standard warranty and Nexperia's product specifications.

**Translations** — A non-English (translated) version of a document is for reference only. The English version shall prevail in case of any discrepancy between the translated and English versions.

## 15.4 Trademarks

Notice: All referenced brands, product names, service names and trademarks are the property of their respective owners.



## Contents

|           |   |           |
|-----------|---|-----------|
| <b>1</b>  | <b>General description</b> .....              | <b>1</b>  |
| <b>2</b>  | <b>Features and benefits</b> .....            | <b>1</b>  |
| <b>3</b>  | <b>Applications</b> .....                     | <b>1</b>  |
| <b>4</b>  | <b>Ordering information</b> .....             | <b>2</b>  |
| <b>5</b>  | <b>Functional diagram</b> .....               | <b>2</b>  |
| <b>6</b>  | <b>Pinning information</b> .....              | <b>3</b>  |
| 6.1       | Pinning .....                                 | 3         |
| 6.2       | Pin description .....                         | 4         |
| <b>7</b>  | <b>Functional description</b> .....           | <b>4</b>  |
| <b>8</b>  | <b>Limiting values</b> .....                  | <b>5</b>  |
| <b>9</b>  | <b>Recommended operating conditions</b> ..... | <b>5</b>  |
| <b>10</b> | <b>Static characteristics</b> .....           | <b>6</b>  |
| 10.1      | Test circuit and graph .....                  | 7         |
| 10.2      | ON resistance .....                           | 7         |
| 10.3      | ON resistance test circuit and graph .....    | 8         |
| <b>11</b> | <b>Dynamic characteristics</b> .....          | <b>8</b>  |
| 11.1      | Waveforms and test circuit .....              | 9         |
| <b>12</b> | <b>Package outline</b> .....                  | <b>12</b> |
| <b>13</b> | <b>Abbreviations</b> .....                    | <b>14</b> |
| <b>14</b> | <b>Revision history</b> .....                 | <b>14</b> |
| <b>15</b> | <b>Legal information</b> .....                | <b>15</b> |

---

Please be aware that important notices concerning this document and the product(s) described herein, have been included in section 'Legal information'.

---

© Nexperia B.V. 2017.

All rights reserved.

For more information, please visit: <http://www.nexperia.com>

For sales office addresses, please send an email to: [salesaddresses@nexperia.com](mailto:salesaddresses@nexperia.com)

Date of release: 14 August 2017  
Document identifier: 74CB3Q3257