

74ALVCH32973

16-bit bus transceiver and transparent D-type latch with 8 independent buffers

Rev. 3 — 17 January 2013

Product data sheet

1. General description

The 74ALVCH32973 is a 16-bit bus transceiver and transparent D-type latch with 8 independent buffers with bus hold inputs and 3-state outputs. It features direction (1DIR, 2DIR), latch enable (1 $\overline{\text{LOE}}$, 2 $\overline{\text{LOE}}$), transceiver output enable (1 $\overline{\text{TOE}}$, 2 $\overline{\text{TOE}}$) and latch enable (1LE, 2LE) control inputs; four 8-bit transceiver ports (1An, 2An & 1Bn, 2Bn); two 8-bit D-type latch output ports (1Qn, 2Qn) and an 8-bit buffer with data inputs Dn and outputs Yn. The configuration of the control pins allows the device to be used as one 8-bit buffer, two 8-bit transceivers, and two 8-bit latches or one 8-bit buffer, one 16-bit transceiver and one 16-bit latch.

The 8-bit buffer functions independently of the control inputs. The direction of data transmission between A and B is controlled by nDIR and when n $\overline{\text{TOE}}$ is set HIGH the A and B ports will assume a HIGH-impedance OFF-state, they will be effectively isolated. When nLE is HIGH, data at the A inputs enter the latches. In this condition the latches are transparent, a Q output will change each time its corresponding A-input changes. When nLE is LOW the latches store the information that was present at the inputs a set-up time preceding the HIGH-to-LOW transition of nLE. A HIGH on n $\overline{\text{LOE}}$ causes the Q outputs to assume a high-impedance OFF-state. Operation of the n $\overline{\text{LOE}}$ input does not affect the state of the latches.

2. Features and benefits

- Wide supply voltage range from 1.2 V to 3.6 V
- Complies with JEDEC standard JESD8-B
- CMOS low power consumption
- Direct interface with TTL levels
- All data inputs have bus hold
- Output drive capability 50 Ω transmission lines at 85 °C
- Current drive ± 24 mA at $V_{\text{CC}} = 3.0$ V

3. Ordering information

Table 1. Ordering information

Type number	Temperature range	Package		
		Name	Description	Version
74ALVCH32973EC	-40 °C to +85 °C	LFBGA96	plastic low profile fine-pitch ball grid array package; 96 balls; body 13.5 × 5.5 × 1.05 mm	SOT536-1

4. Functional diagram

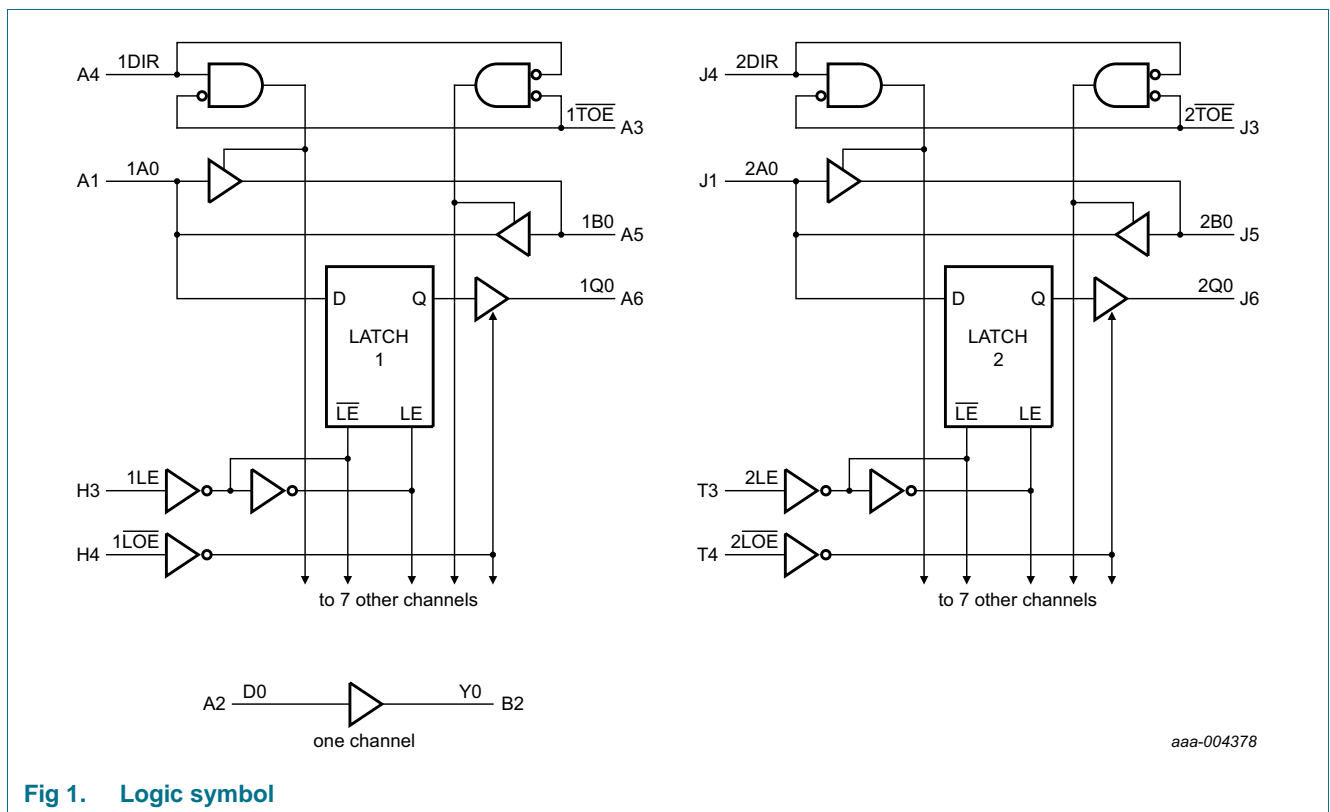


Fig 1. Logic symbol

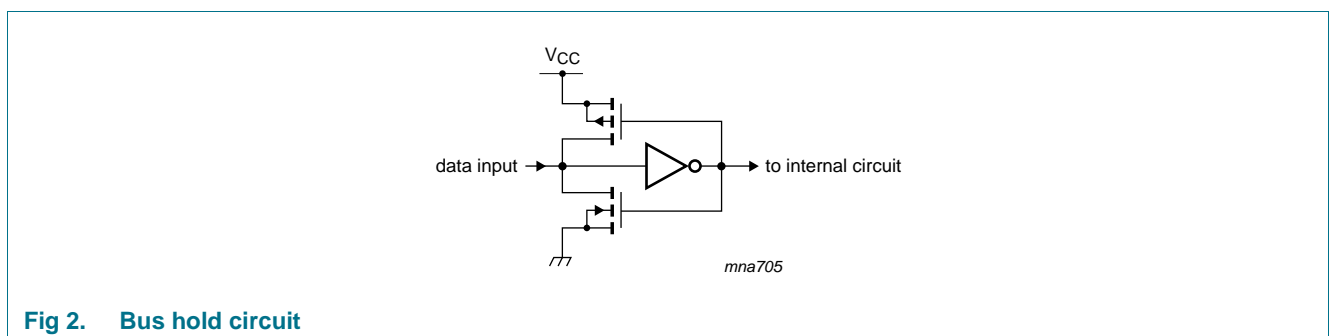


Fig 2. Bus hold circuit

5. Pinning information

5.1 Pinning

6	1Q0	1Q1	1Q2	1Q3	1Q4	1Q5	1Q6	1Q7	2Q0	2Q1	2Q2	2Q3	2Q4	2Q5	2Q6	2Q7
5	1B0	1B1	1B2	1B3	1B4	1B5	1B6	1B7	2B0	2B1	2B2	2B3	2B4	2B5	2B6	2B7
4	1DIR	GND	V _{CC}	GND	GND	V _{CC}	GND	1 $\overline{\text{LOE}}$	2DIR	GND	V _{CC}	GND	GND	V _{CC}	GND	2 $\overline{\text{LOE}}$
3	1 $\overline{\text{TOE}}$	GND	V _{CC}	GND	GND	V _{CC}	GND	1LE	2 $\overline{\text{TOE}}$	GND	V _{CC}	GND	GND	V _{CC}	GND	2LE
2	D0	Y0	D1	Y1	D2	Y2	D3	Y3	D4	Y4	D5	Y5	D6	Y6	D7	Y7
1	1A0	1A1	1A2	1A3	1A4	1A5	1A6	1A7	2A0	2A1	2A2	2A3	2A4	2A5	2A6	2A7
	A	B	C	D	E	F	G	H	J	K	L	M	N	P	R	T

aaa-004379

Fig 3. Pin configuration

5.2 Pin description

Table 2. Pin description

Symbol	Ball	Description
n $\overline{\text{TOE}}$ (n = 1 to 2)	A3, J3	transceiver output enable input (active LOW)
nDIR (n = 1 to 2)	A4, J4	direction control input (active HIGH)
nLE (n = 1 to 2)	H3, T3	latch enable input (active HIGH)
n $\overline{\text{LOE}}$ (n = 1 to 2)	H4, T4	latch output enable input (active LOW)
1A[0:7]	A1, B1, C1, D1, E1, F1, G1, H1	data input/output
D[0:7]	A2, C2, E2, G2, J2, L2, N2, R2	data input
1B[0:7]	A5, B5, C5, D5, E5, F5, G5, H5	data input/output
2B[0:7]	J5, K5, L5, M5, N5, P5, R5, T5	data input/output
Y[0:7]	B2, D2, F2, H2, K2, M2, P2, T2	data output
1Q[0:7]	A6, B6, C6, D6, E6, F6, G6, H6	data output
2A[0:7]	J1, K1, L1, M1, N1, P1, R1, T1	data input/output
2Q[0:7]	J6, K6, L6, M6, N6, P6, R6, T6	data output
GND	B3, B4, D3, D4, E3, E4, G3, G4, K3, K4, M3, M4, N3, N4, R3, R4	ground (0 V)
V _{CC}	C3, C4, F3, F4, L3, L4, P3, P4	supply voltage

6. Functional description

6.1 Function table

Table 3. Function table^[1]

Inputs			Internal latches	Outputs nQn	Operating mode
nLOE	nLE	nAn			
L	H	L	L	L	enable and read register (transparent mode)
L	H	H	H	H	
L	↓	l	L	L	latch and read register
L	↓	h	H	H	
L	L	X	no change	no change	hold mode
H	↓	l	L	Z	latch register and disable outputs
H	↓	h	H	Z	
H	H	L	L	Z	enable register and disable outputs
H	H	H	H	Z	
H	L	X	no change	Z	hold mode and disable outputs

- [1] H = HIGH voltage level;
 L = LOW voltage level;
 h = HIGH voltage level one set-up time prior to the HIGH-to-LOW LE transition;
 l = LOW voltage level one set-up time prior to the HIGH-to-LOW LE transition;
 ↓ = negative-going transition;
 Z = high-impedance OFF-state;
 X = don't care.

Table 4. Function table^[1]

Inputs		Outputs		
nTOE	nDIR	nAn	nBn	
L	L	nAn = nBn	input	
L	H	input	nBn = nAn	
H	X	Z	Z	

- [1] H = HIGH voltage level; L = LOW voltage level; X = don't care; Z = high-impedance OFF-state.

Table 5. Function table^[1]

Input	Output
Dn	Yn
L	L
H	H

- [1] H = HIGH voltage level; L = LOW voltage level; X = don't care; Z = high-impedance OFF-state.

7. Limiting values

Table 6. Limiting values

In accordance with the Absolute Maximum Rating System (IEC 60134). Voltages are referenced to GND (ground = 0 V).

Symbol	Parameter	Conditions	Min	Max	Unit
V_{CC}	supply voltage		-0.5	+4.6	V
I_{IK}	input clamping current	$V_I < 0$ V	-50	-	mA
V_I	input voltage	control inputs	[1] -0.5	+4.6	V
		data inputs	[1] -0.5	$V_{CC} + 0.5$	V
I_{OK}	output clamping current	$V_O > V_{CC}$ or $V_O < 0$ V	-	± 50	mA
V_O	output voltage		[1] -0.5	$V_{CC} + 0.5$	V
I_O	output current	$V_O = 0$ V to V_{CC}	-	± 50	mA
I_{CC}	supply current		-	100	mA
I_{GND}	ground current		-100	-	mA
T_{stg}	storage temperature		-65	+150	°C
P_{tot}	total power dissipation	$T_{amb} = -40$ °C to +85 °C	[2] -	1000	mW

[1] The input and output voltage ratings may be exceeded if the input and output current ratings are observed.

[2] Above 70 °C the value of P_{tot} derates linearly with 1.8 mW/K.

8. Recommended operating conditions

Table 7. Recommended operating conditions

Symbol	Parameter	Conditions	Min	Typ	Max	Unit
V_{CC}	supply voltage	maximum speed performance				
		$C_L = 30$ pF	2.3	-	2.7	V
		$C_L = 50$ pF	3.0	-	3.6	V
		low voltage applications	1.2	-	3.6	V
V_I	input voltage		0	-	V_{CC}	V
V_O	output voltage		0	-	V_{CC}	V
T_{amb}	ambient temperature	in free air	-40	-	+85	°C
$\Delta t/\Delta V$	input transition rise and fall rate	$V_{CC} = 2.3$ V to 3.0 V	0	-	20	ns/V
		$V_{CC} = 3.0$ V to 3.6 V	0	-	10	ns/V

9. Static characteristics

Table 8. Static characteristics

At recommended operating conditions. Voltages are referenced to GND (ground = 0 V).

Symbol	Parameter	Conditions	Min	Typ ^[1]	Max	Unit
T_{amb} = -40 °C to +85 °C						
V _{IH}	HIGH-level input voltage	V _{CC} = 1.2 V	V _{CC}	-	-	V
		V _{CC} = 1.8 V	0.7V _{CC}	0.9	-	V
		V _{CC} = 2.3 V to 2.7 V	1.7	1.2	-	V
		V _{CC} = 2.7 V to 3.6 V	2.0	1.5	-	V
V _{IL}	LOW-level input voltage	V _{CC} = 1.2 V	-	-	0	V
		V _{CC} = 1.8 V	-	0.9	0.2V _{CC}	V
		V _{CC} = 2.3 V to 2.7 V	-	1.2	0.7	V
		V _{CC} = 2.7 V to 3.6 V	-	1.5	0.8	V
V _{OH}	HIGH-level output voltage	V _I = V _{IH} or V _{IL}				
		I _O = -100 μA; V _{CC} = 1.8 V to 3.6 V	V _{CC} - 0.2	V _{CC}	-	V
		I _O = -6 mA; V _{CC} = 1.8 V	V _{CC} - 0.4	V _{CC} - 0.1	-	V
		I _O = -6 mA; V _{CC} = 2.3 V	V _{CC} - 0.3	V _{CC} - 0.08	-	V
		I _O = -12 mA; V _{CC} = 2.3 V	V _{CC} - 0.5	V _{CC} - 0.17	-	V
		I _O = -12 mA; V _{CC} = 2.7 V	V _{CC} - 0.5	V _{CC} - 0.14	-	V
		I _O = -18 mA; V _{CC} = 2.3 V	V _{CC} - 0.6	V _{CC} - 0.26	-	V
		I _O = -24 mA; V _{CC} = 3.0 V	V _{CC} - 1.0	V _{CC} - 0.28	-	V
V _{OL}	LOW-level output voltage	V _I = V _{IH} or V _{IL}				
		I _O = 100 μA; V _{CC} = 1.8 V to 3.6 V	-	0	0.20	V
		I _O = 6 mA; V _{CC} = 1.8 V	-	0.09	0.30	V
		I _O = 6 mA; V _{CC} = 2.3 V	-	0.07	0.20	V
		I _O = 12 mA; V _{CC} = 2.3 V	-	0.15	0.40	V
		I _O = 12 mA; V _{CC} = 2.7 V	-	0.14	0.40	V
		I _O = 18 mA; V _{CC} = 2.3 V	-	0.23	0.60	V
		I _O = 24 mA; V _{CC} = 3.0 V	-	0.27	0.55	V
I _I	input leakage current	V _{CC} = 1.8 V to 3.6 V; V _I = V _{CC} or GND	-	0.1	5	μA
I _{OZ}	OFF-state output current	V _I = V _{IH} or V _{IL} ; V _O = V _{CC} or GND				
		V _{CC} = 1.8 V to 2.7 V	-	0.1	5	μA
		V _{CC} = 2.7 V to 3.6 V	-	0.1	10	μA
I _{CC}	supply current	V _I = V _{CC} or GND; I _O = 0 A;				
		V _{CC} = 1.8 V to 2.7 V	-	0.4	80	μA
		V _{CC} = 2.7 V to 3.6 V	-	0.4	80	μA
ΔI _{CC}	additional supply current	V _I = V _{CC} - 0.6 V; I _O = 0 A;				
		V _{CC} = 2.7 V to 3.6 V				
		per control input	-	5	500	μA
	per data I/O input	-	150	750	μA	
I _{BHL}	bus hold LOW current	V _{CC} = 2.3 V; V _I = 0.7 V	45	-	-	μA
		V _{CC} = 3.0 V; V _I = 0.8 V	75	150	-	μA

Table 8. Static characteristics ...continued

At recommended operating conditions. Voltages are referenced to GND (ground = 0 V).

Symbol	Parameter	Conditions	Min	Typ ^[1]	Max	Unit
I _{BHH}	bus hold HIGH current	V _{CC} = 2.3 V; V _I = 1.7 V	-45	-	-	μA
		V _{CC} = 3.0 V; V _I = 2.0 V	-75	-175	-	μA
I _{BHLO}	bus hold LOW overdrive current	V _{CC} = 3.6 V	500	-	-	μA
I _{BHHO}	bus hold HIGH overdrive current	V _{CC} = 3.6 V	-500	-	-	μA
C _I	input capacitance		-	5.0	-	pF
C _{I/O}	input/output capacitance		-	8.0	-	pF

[1] All typical values are measured at T_{amb} = 25 °C.

10. Dynamic characteristics

Table 9. Dynamic characteristicsAt recommended operating conditions. Voltages are referenced to GND (ground = 0 V); test circuit [Figure 10](#).

Symbol	Parameter	Conditions	Min	Typ ^[1]	Max	Unit	
T_{amb} = -40 °C to +85 °C							
t _{pd}	propagation delay	nAn to nQn; see Figure 4		[2]			
		V _{CC} = 1.2 V	-	7.0	-	ns	
		V _{CC} = 1.8 V	1.1	3.4	5.7	ns	
		V _{CC} = 2.3 V to 2.7 V	[3]	1.0	2.2	3.9	ns
		V _{CC} = 2.7 V	1.0	2.7	3.8	ns	
		V _{CC} = 3.0 V to 3.6 V	[4]	1.0	2.5	3.6	ns
		nLE to nQn; see Figure 5		[2]			
		V _{CC} = 1.2 V	-	8.2	-	ns	
		V _{CC} = 1.8 V	1.5	3.7	5.9	ns	
		V _{CC} = 2.3 V to 2.7 V	[3]	1.0	2.4	3.8	ns
		V _{CC} = 2.7 V	1.0	2.7	4.3	ns	
		V _{CC} = 3.0 V to 3.6 V	[4]	0.8	2.6	4.1	ns
		nAn to nBn or nBn to nAn; see Figure 6		[2]			
		V _{CC} = 1.2 V	-	5.9	-	ns	
		V _{CC} = 1.8 V	1.4	3.0	4.3	ns	
		V _{CC} = 2.3 V to 2.7 V	[3]	1.0	2.0	3.8	ns
		V _{CC} = 2.7 V	1.0	2.3	3.7	ns	
		V _{CC} = 3.0 V to 3.6 V	[4]	1.0	2.2	3.4	ns
		Dn to Yn; see Figure 7		[2]			
		V _{CC} = 1.2 V	-	4.6	-	ns	
V _{CC} = 1.8 V	1.1	2.4	5.1	ns			
V _{CC} = 2.3 V to 2.7 V	[3]	0.7	1.7	3.7	ns		
V _{CC} = 2.7 V	1.0	2.1	3.6	ns			
V _{CC} = 3.0 V to 3.6 V	[4]	0.9	1.8	3.1	ns		

Table 9. Dynamic characteristics ...continuedAt recommended operating conditions. Voltages are referenced to GND (ground = 0 V); test circuit [Figure 10](#).

Symbol	Parameter	Conditions	Min	Typ ^[1]	Max	Unit	
t _{en}	enable time	n $\overline{\text{LOE}}$ to nQn; see Figure 8	[2]				
		V _{CC} = 1.2 V	-	9.5	-	ns	
		V _{CC} = 1.8 V	1.5	4.6	7.3	ns	
		V _{CC} = 2.3 V to 2.7 V	[3]	1.0	3.0	5.2	ns
		V _{CC} = 2.7 V	1.0	3.3	4.9	ns	
		V _{CC} = 3.0 V to 3.6 V	[4]	1.0	2.7	4.3	ns
		n $\overline{\text{TOE}}$ to nAn or nBn; see Figure 8	[2]				
		V _{CC} = 1.2 V	-	10.0	-	ns	
		V _{CC} = 1.8 V	1.5	4.7	7.6	ns	
		V _{CC} = 2.3 V to 2.7 V	[3]	1.0	3.2	5.7	ns
		V _{CC} = 2.7 V	1.0	3.3	5.4	ns	
		V _{CC} = 3.0 V to 3.6 V	[4]	1.0	2.7	4.4	ns
		nDIR to nAn or nBn; see Figure 8	[2]				
		V _{CC} = 1.2 V	-	7.0	-	ns	
		V _{CC} = 1.8 V	1.5	3.5	7.6	ns	
		V _{CC} = 2.3 V to 2.7 V	[3]	1.0	2.7	5.2	ns
		V _{CC} = 2.7 V	1.0	4.2	6.0	ns	
		V _{CC} = 3.0 V to 3.6 V	[4]	1.0	3.4	5.0	ns
t _{dis}	disable time	n $\overline{\text{LOE}}$ to nQn; see Figure 8	[2]				
		V _{CC} = 1.2 V	-	6.7	-	ns	
		V _{CC} = 1.8 V	1.5	3.5	5.6	ns	
		V _{CC} = 2.3 V to 2.7 V	[3]	1.0	2.2	4.1	ns
		V _{CC} = 2.7 V	1.0	3.4	4.7	ns	
		V _{CC} = 3.0 V to 3.6 V	[4]	1.0	3.1	4.2	ns
		n $\overline{\text{TOE}}$ to nAn or nBn; see Figure 8	[2]				
		V _{CC} = 1.2 V	-	7.0	-	ns	
		V _{CC} = 1.8 V	1.5	3.6	7.6	ns	
		V _{CC} = 2.3 V to 2.7 V	[3]	1.0	2.6	5.2	ns
		V _{CC} = 2.7 V	1.0	3.5	4.6	ns	
		V _{CC} = 3.0 V to 3.6 V	[4]	1.0	3.2	4.3	ns
		nDIR to nAn or nBn; see Figure 8	[2]				
		V _{CC} = 1.2 V	-	7.2	-	ns	
		V _{CC} = 1.8 V	1.5	3.7	7.6	ns	
		V _{CC} = 2.3 V to 2.7 V	[3]	1.0	2.7	5.2	ns
		V _{CC} = 2.7 V	1.0	4.0	6.0	ns	
		V _{CC} = 3.0 V to 3.6 V	[4]	1.0	3.2	5.0	ns

Table 9. Dynamic characteristics ...continuedAt recommended operating conditions. Voltages are referenced to GND (ground = 0 V); test circuit [Figure 10](#).

Symbol	Parameter	Conditions	Min	Typ ^[1]	Max	Unit	
t_w	pulse width	nLE HIGH; see Figure 5					
		$V_{CC} = 1.8\text{ V}$	3.5	1.0	-	ns	
		$V_{CC} = 2.3\text{ V to }2.7\text{ V}$	[3]	3.0	1.0	-	ns
		$V_{CC} = 2.7\text{ V}$		3.0	1.0	-	ns
t_{su}	set-up time	nAn to nLE; see Figure 9					
		$V_{CC} = 1.8\text{ V}$	1.1	-0.1	-	ns	
		$V_{CC} = 2.3\text{ V to }2.7\text{ V}$	[3]	1.1	-0.1	-	ns
		$V_{CC} = 2.7\text{ V}$		1.1	-0.1	-	ns
t_h	hold time	nAn to nLE; see Figure 9					
		$V_{CC} = 1.8\text{ V}$	1.3	0.1	-	ns	
		$V_{CC} = 2.3\text{ V to }2.7\text{ V}$	[3]	1.6	0.2	-	ns
		$V_{CC} = 2.7\text{ V}$		1.6	0.4	-	ns
C_{PD}	power dissipation capacitance	per latch or buffer; $V_I = \text{GND to } V_{CC}$; $V_{CC} = 1.2\text{ V to }3.6\text{ V}$	[5]				
		Q outputs enabled; A and B ports isolated; $f_{i(nAn)} = 10\text{ MHz}$; $f_{i(nLE)} = 20\text{ MHz}$; $f_{i(nQn)} = 10\text{ MHz}$	-	26	-	pF	
		A outputs enabled; Q output disabled; $f_{i(nAn)} = 10\text{ MHz}$; $f_{i(nBn)} = 10\text{ MHz}$	-	16	-	pF	
		B outputs enabled; Q output disabled; $f_{i(nAn)} = 10\text{ MHz}$; $f_{i(nBn)} = 10\text{ MHz}$	-	16	-	pF	
		Y outputs enabled; A and B parts isolated; Q output disabled; $f_{i(Dn)} = 10\text{ MHz}$; $f_{i(Yn)} = 10\text{ MHz}$	-	12	-	pF	
		all outputs disabled; one nLE input and one nAn input switching; $f_{i(nAn)} = 10\text{ MHz}$; $f_{i(nLE)} = 20\text{ MHz}$; $f_{i(nQn)} = 0\text{ MHz}$	-	18	-	pF	
		Q outputs disabled; A and B ports isolated; one nLE input switching; $f_{i(nAn)} = 0\text{ MHz}$; $f_{i(nLE)} = 20\text{ MHz}$; $f_{i(nQn)} = 0\text{ MHz}$	-	6	-	pF	

[1] All typical values are measured at $T_{amb} = 25\text{ }^\circ\text{C}$.

[2] t_{pd} is the same as t_{PLH} and t_{PHL} .

t_{en} is the same as t_{pZL} and t_{pZH} .

t_{dis} is the same as t_{pLZ} and t_{pHZ} .

[3] Typical values are measured at $V_{CC} = 2.5\text{ V}$.

[4] Typical values are measured at $V_{CC} = 3.3\text{ V}$.

[5] C_{PD} is used to determine the dynamic power dissipation (P_D in μW).

$P_D = C_{PD} \times V_{CC}^2 \times f_i \times N + \Sigma(C_L \times V_{CC}^2 \times f_o)$ where:

f_i = input frequency in MHz; f_o = output frequency in MHz;

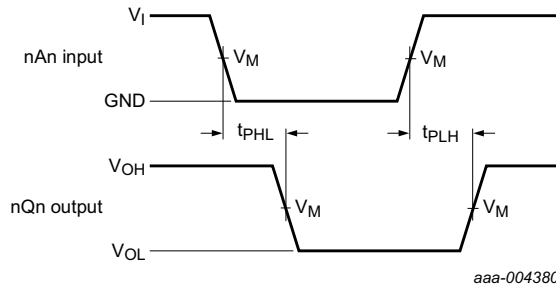
C_L = output load capacitance in pF;

V_{CC} = supply voltage in Volts;

N = number of inputs switching;

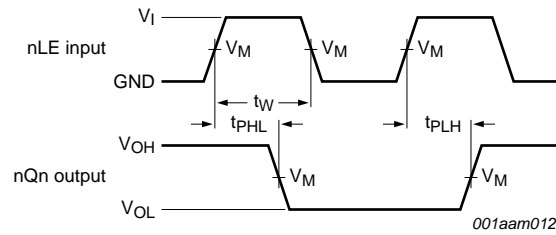
$\Sigma(C_L \times V_{CC}^2 \times f_o)$ = sum of the outputs.

11. Waveforms



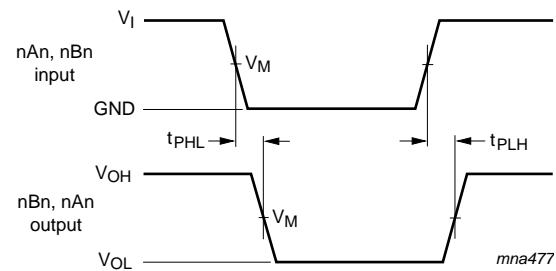
Measurement points are given in [Table 10](#).
 V_{OL} and V_{OH} are typical output levels that occur with the output load.

Fig 4. Propagation delay, input (nAn) to data output (nQn)



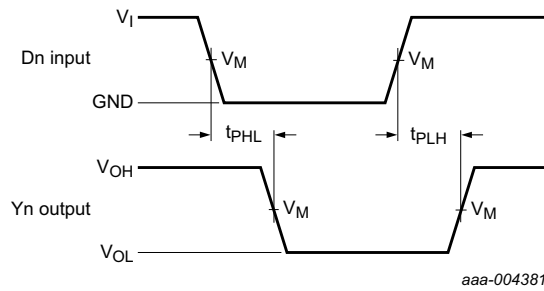
Measurement points are given in [Table 10](#).
 V_{OL} and V_{OH} are typical output levels that occur with the output load.

Fig 5. Propagation delay, latch enable input (nLE) to data output (nQn), and pulse width



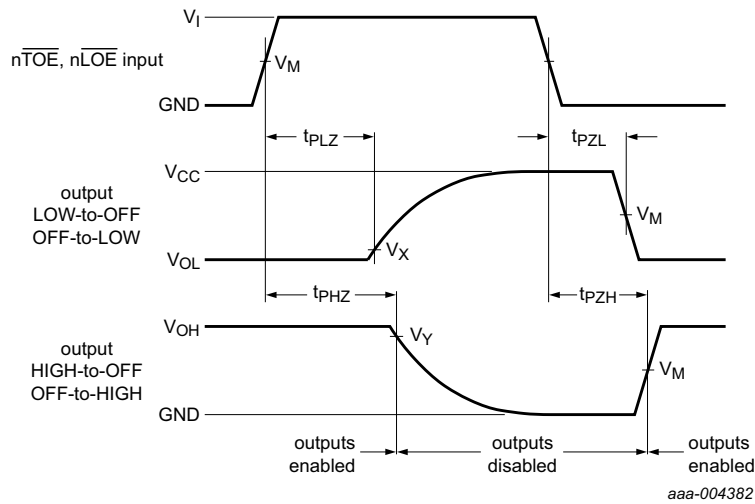
Measurement points are given in [Table 10](#).
 V_{OL} and V_{OH} are typical output levels that occur with the output load.

Fig 6. Propagation delay, input (nAn, nBn) to data output (nBn, nAn)



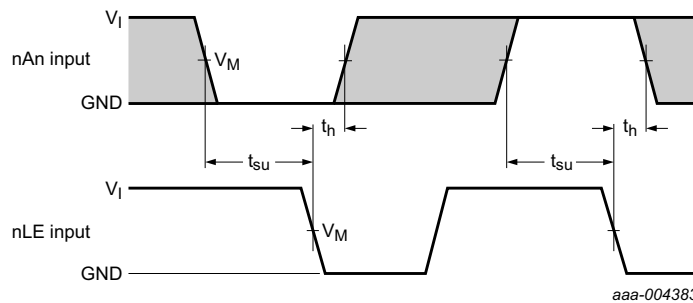
Measurement points are given in [Table 10](#).
 V_{OL} and V_{OH} are typical output levels that occur with the output load.

Fig 7. Propagation delay, input (Dn) to data output (Yn)



Measurement points are given in [Table 10](#).
 V_{OL} and V_{OH} are typical output levels that occur with the output load.

Fig 8. 3-state enable and disable times



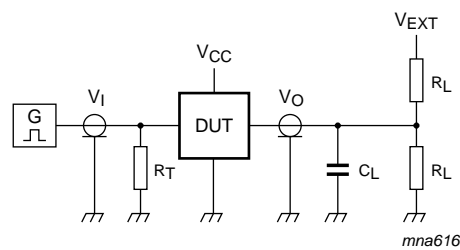
Measurement points are given in [Table 10](#).
 The shaded areas indicate when the input is permitted to change for predictable output performance.

Fig 9. Data setup and hold times for input (nAn) to input (nLE)

Table 10. Measurement points

Supply voltage	Input		Output		
V_{CC}	V_I	V_M	V_M	V_X	V_Y
2.3 V to 2.7 V and < 2.3 V	V_{CC}	$0.5 \times V_{CC}$	$0.5 \times V_{CC}$	$V_{OL} + 0.15 \text{ V}$	$V_{OH} - 0.15 \text{ V}$
2.7 V	2.7 V	1.5 V	1.5 V	$V_{OL} + 0.3 \text{ V}$	$V_{OH} - 0.3 \text{ V}$
3.0 V to 3.6 V	2.7 V	1.5 V	1.5 V	$V_{OL} + 0.3 \text{ V}$	$V_{OH} - 0.3 \text{ V}$

12. Test information



Test data is given in [Table 11](#).

Definitions for test circuit:

R_L = Load resistance.

C_L = Load capacitance including jig and probe capacitance.

R_T = Termination resistance should be equal to output impedance Z_o of the pulse generator.

V_{EXT} = External voltage for measuring switching times.

Fig 10. Test circuit for measuring switching times

Table 11. Test data

Supply voltage	Input		Load		V_{EXT}		
V_{CC}	V_I	t_r, t_f	C_L	R_L	t_{PLH}, t_{PHL}	t_{PLZ}, t_{PZL}	t_{PHZ}, t_{PZH}
2.3 V to 2.7 V and < 2.3 V	V_{CC}	$\leq 2.0 \text{ ns}$	30 pF	500 Ω	open	$2 \times V_{CC}$	GND
2.7 V	2.7 V	2.5 ns	50 pF	500 Ω	open	$2 \times V_{CC}$	GND
3.0 V to 3.6 V	2.7 V	2.5 ns	50 pF	500 Ω	open	$2 \times V_{CC}$	GND

13. Package outline

LFBGA96: plastic low profile fine-pitch ball grid array package; 96 balls; body 13.5 x 5.5 x 1.05 mm SOT536-1

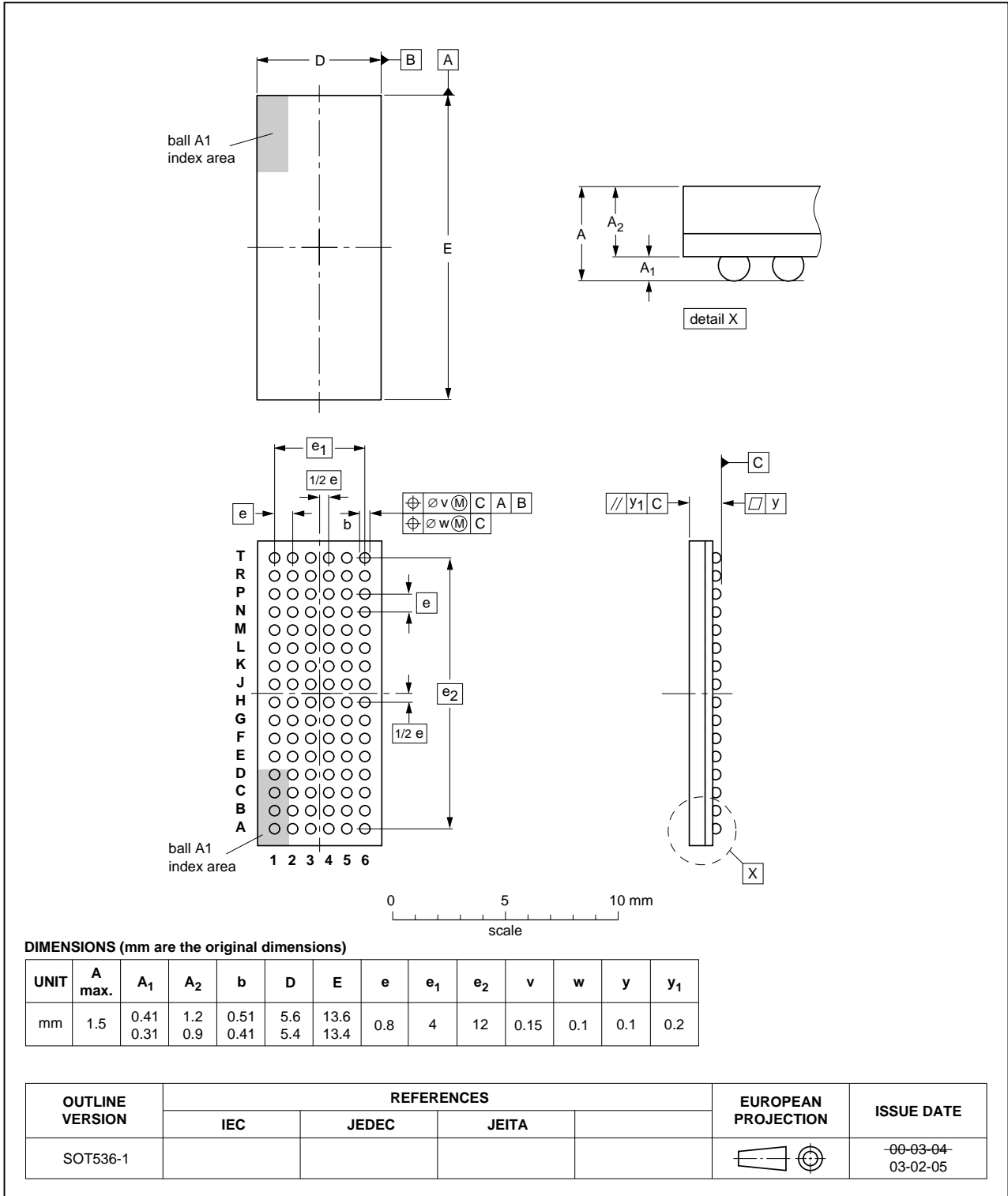


Fig 11. Package outline SOT536-1 (LFBGA96)

14. Abbreviations

Table 12. Abbreviations

Acronym	Description
CMOS	Complementary Metal-Oxide Semiconductor
DUT	Device Under Test
TTL	Transistor-Transistor Logic

15. Revision history

Table 13. Revision history

Document ID	Release date	Data sheet status	Change notice	Supersedes
74ALVCH32973 v.3	20130117	Product data sheet	-	74ALVCH32973 v.2
Modifications:	• Table note of function table updated (LOW-to-HIGH changed into HIGH-to-LOW).			
74ALVCH32973 v.2	20121108	Product data sheet	-	74ALVCH32973 v.1
Modifications:	• Function table updated.			
74ALVCH32973 v.1	20120822	Product data sheet	-	-

16. Legal information

16.1 Data sheet status

Document status ^{[1][2]}	Product status ^[3]	Definition
Objective [short] data sheet	Development	This document contains data from the objective specification for product development.
Preliminary [short] data sheet	Qualification	This document contains data from the preliminary specification.
Product [short] data sheet	Production	This document contains the product specification.

[1] Please consult the most recently issued document before initiating or completing a design.

[2] The term 'short data sheet' is explained in section "Definitions".

[3] The product status of device(s) described in this document may have changed since this document was published and may differ in case of multiple devices. The latest product status information is available on the Internet at URL <http://www.nexperia.com>.

16.2 Definitions

Draft — The document is a draft version only. The content is still under internal review and subject to formal approval, which may result in modifications or additions. Nexperia does not give any representations or warranties as to the accuracy or completeness of information included herein and shall have no liability for the consequences of use of such information.

Short data sheet — A short data sheet is an extract from a full data sheet with the same product type number(s) and title. A short data sheet is intended for quick reference only and should not be relied upon to contain detailed and full information. For detailed and full information see the relevant full data sheet, which is available on request via the local Nexperia sales office. In case of any inconsistency or conflict with the short data sheet, the full data sheet shall prevail.

Product specification — The information and data provided in a Product data sheet shall define the specification of the product as agreed between Nexperia and its customer, unless Nexperia and customer have explicitly agreed otherwise in writing. In no event however, shall an agreement be valid in which the Nexperia product is deemed to offer functions and qualities beyond those described in the Product data sheet.

16.3 Disclaimers

Limited warranty and liability — Information in this document is believed to be accurate and reliable. However, Nexperia does not give any representations or warranties, expressed or implied, as to the accuracy or completeness of such information and shall have no liability for the consequences of use of such information. Nexperia takes no responsibility for the content in this document if provided by an information source outside of Nexperia.

In no event shall Nexperia be liable for any indirect, incidental, punitive, special or consequential damages (including - without limitation - lost profits, lost savings, business interruption, costs related to the removal or replacement of any products or rework charges) whether or not such damages are based on tort (including negligence), warranty, breach of contract or any other legal theory.

Notwithstanding any damages that customer might incur for any reason whatsoever, Nexperia's aggregate and cumulative liability towards customer for the products described herein shall be limited in accordance with the *Terms and conditions of commercial sale* of Nexperia.

Right to make changes — Nexperia reserves the right to make changes to information published in this document, including without limitation specifications and product descriptions, at any time and without notice. This document supersedes and replaces all information supplied prior to the publication hereof.

Suitability for use — Nexperia products are not designed, authorized or warranted to be suitable for use in life support, life-critical or safety-critical systems or equipment, nor in applications where failure or malfunction of a Nexperia product can reasonably be expected to result in personal injury, death or severe property or environmental damage. Nexperia and its suppliers accept no liability for inclusion and/or use of Nexperia products in such equipment or applications and therefore such inclusion and/or use is at the customer's own risk.

Applications — Applications that are described herein for any of these products are for illustrative purposes only. Nexperia makes no representation or warranty that such applications will be suitable for the specified use without further testing or modification.

Customers are responsible for the design and operation of their applications and products using Nexperia products, and Nexperia accepts no liability for any assistance with applications or customer product design. It is customer's sole responsibility to determine whether the Nexperia product is suitable and fit for the customer's applications and products planned, as well as for the planned application and use of customer's third party customer(s). Customers should provide appropriate design and operating safeguards to minimize the risks associated with their applications and products.

Nexperia does not accept any liability related to any default, damage, costs or problem which is based on any weakness or default in the customer's applications or products, or the application or use by customer's third party customer(s). Customer is responsible for doing all necessary testing for the customer's applications and products using Nexperia products in order to avoid a default of the applications and the products or of the application or use by customer's third party customer(s). Nexperia does not accept any liability in this respect.

Limiting values — Stress above one or more limiting values (as defined in the Absolute Maximum Ratings System of IEC 60134) will cause permanent damage to the device. Limiting values are stress ratings only and (proper) operation of the device at these or any other conditions above those given in the Recommended operating conditions section (if present) or the Characteristics sections of this document is not warranted. Constant or repeated exposure to limiting values will permanently and irreversibly affect the quality and reliability of the device.

Terms and conditions of commercial sale — Nexperia products are sold subject to the general terms and conditions of commercial sale, as published at <http://www.nexperia.com/profile/terms>, unless otherwise agreed in a valid written individual agreement. In case an individual agreement is concluded only the terms and conditions of the respective agreement shall apply. Nexperia hereby expressly objects to applying the customer's general terms and conditions with regard to the purchase of Nexperia products by customer.

No offer to sell or license — Nothing in this document may be interpreted or construed as an offer to sell products that is open for acceptance or the grant, conveyance or implication of any license under any copyrights, patents or other industrial or intellectual property rights.

Export control — This document as well as the item(s) described herein may be subject to export control regulations. Export might require a prior authorization from competent authorities.

Non-automotive qualified products — Unless this data sheet expressly states that this specific Nexperia product is automotive qualified, the product is not suitable for automotive use. It is neither qualified nor tested in accordance with automotive testing or application requirements. Nexperia accepts no liability for inclusion and/or use of non-automotive qualified products in automotive equipment or applications.

In the event that customer uses the product for design-in and use in automotive applications to automotive specifications and standards, customer (a) shall use the product without Nexperia's warranty of the product for such automotive applications, use and specifications, and (b) whenever customer uses the product for automotive applications beyond

Nexperia's specifications such use shall be solely at customer's own risk, and (c) customer fully indemnifies Nexperia for any liability, damages or failed product claims resulting from customer design and use of the product for automotive applications beyond Nexperia's standard warranty and Nexperia's product specifications.

Translations — A non-English (translated) version of a document is for reference only. The English version shall prevail in case of any discrepancy between the translated and English versions.

16.4 Trademarks

Notice: All referenced brands, product names, service names and trademarks are the property of their respective owners.

17. Contact information

For more information, please visit: <http://www.nexperia.com>

For sales office addresses, please send an email to: salesaddresses@nexperia.com

18. Contents

1	General description	1
2	Features and benefits	1
3	Ordering information	2
4	Functional diagram	2
5	Pinning information	3
5.1	Pinning	3
5.2	Pin description	3
6	Functional description	4
6.1	Function table	4
7	Limiting values	5
8	Recommended operating conditions	5
9	Static characteristics	6
10	Dynamic characteristics	7
11	Waveforms	10
12	Test information	12
13	Package outline	13
14	Abbreviations	14
15	Revision history	14
16	Legal information	15
16.1	Data sheet status	15
16.2	Definitions	15
16.3	Disclaimers	15
16.4	Trademarks	16
17	Contact information	16
18	Contents	17