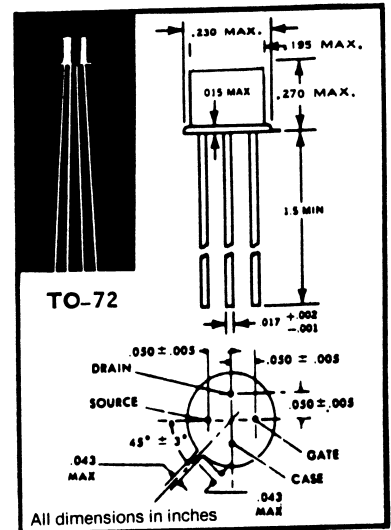


AVAILABLE AS JAN, JAN-TX, JANTX-V*
LOW OFFSET VOLTAGE TO 30μV(PNP)/10μV(NPN)
HIGH BV 50 VOLTS
LOW rec(sat) 8 Ohms (Typ)

GEOMETRY 450
GEOMETRY 481 (3N74-3N76)

ELECTRICAL CHARACTERISTICS AT 25°C FREE-AIR TEMPERATURE

DEVICE	POLARITY	BV_{EEO} V MIN.	BVC_{BO} V MIN.	I_{EEO} nA MAX.	rec(sat) α MAX	V_{off} μ V MAX.	t_{on} nS MAX.	f _t MHz MIN.
3N62**	NPN	6	10	5	100	200	250	
3N63	NPN	6	10	5	100	100	250	
3N64	NPN	6	10	5	100	50	250	
3N65	NPN	10	10	5	100	200	250	
3N66	NPN	10	10	5	100	100	250	
3N67	NPN	10	10	5	100	50	250	
3N68**	NPN	10	10	5	50	200	250	
3N68A**	NPN	10	10	5	50	200	250	
3N69	NPN	10	10	5	50	100	250	
3N70**	NPN	10	10	5	50	50	250	
3N71	NPN	8	15	5	15	50		
3N72**	NPN	8	15	5	15	100		
3N73**	NPN	8	15	5	25	200		
3N74*	NPN	18	50	2	40	50		30
3N75*	NPN	18	50	2	40	100		30
3N76*	NPN	18	50	2	50	200		30
3N77	NPN	12	40	5	50	50		30
3N78	NPN	12	40	5	50	100		30
3N79	NPN	12	40	10	60	200		30
3N87	NPN	10	20	02	100	50		
3N88	NPN	10	20	02	150	100		6
3N90	PNP	30	50	1	100	50		6
3N91	PNP	30	50	1	100	100		6
3N92	PNP	30	50	1	100	200		6
3N93	PNP	50	50	1	75	50		6
3N94	PNP	50	50	1	75	100		6
3N95	PNP	50	50	1	100	200		6
3N100	PNP	10	20	0.3	50	50		3
3N101	PNP	20	30	0.3	50	50		3
3N102	PNP	30	40	0.3	50	50		3
3N103	PNP	40	50	0.3	50	50		3
3N104	PNP	50	60	0.3	50	50		3
3N105	PNP	15	20	5	100	250		1
3N106	PNP	30	40	5	100	250		1
3N107	PNP	50	60	5	100	250		1
3N108	PNP	50	50	0.1	50	30		12
3N110	PNP	30	50	0.5	50	30		12
3N111	PNP	30	50	0.5	50	150		12
3N114	PNP	12	30	1	50	50		12
3N115	PNP	12	25	1	50	100		12
3N116	PNP	12	30	1	50	200		12
3N117	PNP	20	50	1	50	50		12
3N118	PNP	20	50	1	50	100		12
3N119	PNP	20	50	1	50	200		12
3N120	NPN	20	10	0.5	25	10		40
3N121	NPN	20	10	0.5	25	10		40
3N123	PNP	25	30	1.0	100	250		6
3N129	PNP	10	20	0.3	15	30		8
3N129	PNP	20	30	0.3	15	30		8
3N130	PNP	20	30	0.3	15	30		8
3N131	PNP	30	40	0.3	15	30		8
3N132	PNP	40	50	0.3	15	30		8
3N133	PNP	50	60	0.3	15	30		8
3N134	PNP	15	20	5	15	100		
3N135	PNP	30	40	5	15	100		
3N136	PNP	50	60	5	15	100		



*Geometry 481 (3N74-3N76) Available as JAN, JAN-TX, JANTX-V

** May be supplied with minor spec. deviations. Contact Factory.

