

isc N-Channel MOSFET Transistor

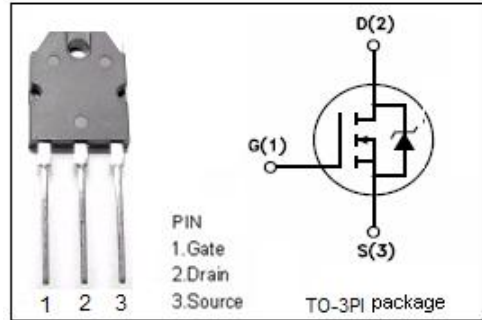
2SK1357

DESCRIPTION

- Drain Current $-I_D = 5A @ T_C = 25^\circ C$
- Drain Source Voltage-
: $V_{DSS} = 900V(\text{Min})$
- Fast Switching Speed

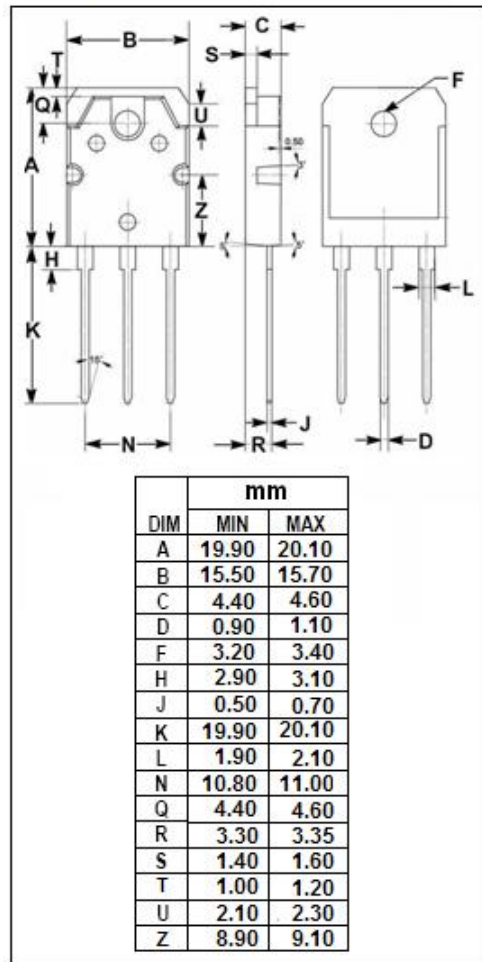
APPLICATIONS

- high voltage, high speed power switching



ABSOLUTE MAXIMUM RATINGS($T_a = 25^\circ C$)

SYMBOL	PARAMETER	VALUE	UNIT
V_{DSS}	Drain-Source Voltage ($V_{GS}=0$)	900	V
V_{GS}	Gate-Source Voltage	± 30	V
I_D	Drain Current-continuous @ $T_C = 25^\circ C$	5	A
P_{tot}	Total Dissipation @ $T_C = 25^\circ C$	125	W
T_j	Max. Operating Junction Temperature	150	$^\circ C$
T_{stg}	Storage Temperature Range	-55~150	$^\circ C$



THERMAL CHARACTERISTICS

SYMBOL	PARAMETER	MAX	UNIT
$R_{th\ j-c}$	Thermal Resistance, Junction to Case	1.0	$^\circ C/W$
$R_{th\ j-a}$	Thermal Resistance, Junction to Ambient	50	$^\circ C/W$

isc N-Channel Mosfet Transistor

2SK1357

• ELECTRICAL CHARACTERISTICS (T_C=25°C)

SYMBOL	PARAMETER	CONDITIONS	MIN	TYP	MAX	UNIT
V _{(BR)DSS}	Drain-Source Breakdown Voltage	V _{GS} =0; I _D = 10mA	900			V
V _{GS(th)}	Gate Threshold Voltage	V _{DS} =10 V _{GS} ; I _D =1mA	1.5		3.5	V
R _{DS(on)}	Drain-Source On-stage Resistance	V _{GS} =10V; I _D =2A		2.5	2.8	Ω
I _{GSS}	Gate Source Leakage Current	V _{GS} = ±25V; V _{DS} = 0			± 100	nA
I _{DSS}	Zero Gate Voltage Drain Current	V _{DS} =720V; V _{GS} = 0			300	uA
V _{SD}	Diode Forward Voltage	I _F =5A; V _{GS} =0			1.9	V
t _r	Rise time	V _{GS} =10V; I _D =2A; R _L =200 Ω		18	35	ns
t _{on}	Turn-on time			30	60	ns
t _f	Fall time			12	25	ns
t _{off}	Turn-off time			70	140	ns