



1SS422

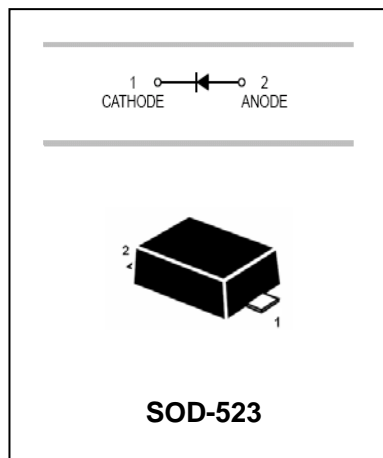
# High speed Switching Diode

## FEATURES

- High reliability with high surge current handing capability.
- Small package.
- High speed.



Lead-free



## APPLICATIONS

- High speed switching.

## ORDERING INFORMATION

Type No.	Marking	Package Code
1SS422	6	SOD-523

## MAXIMUM RATING @ Ta=25°C unless otherwise specified

Parameter	Symbol	Limits	Unit
Peak reverse voltage	$V_{RM}$	100	V
RMS Reverse voltage	$V_{RMS}$	70	V
DC Reverse voltage	$V_R$	85	V
Peak surge forward current @t=1s	$I_{FSM}$	500	mA
Average forward rectified current	$I_O$	150	mA
Total power dissipation	$P_{tot}$	150	mW
Junction temperature	$T_j$	125	°C
Storage temperature	$T_{stg}$	-55 to +125	°C

## ELECTRICAL CHARACTERISTICS @ Ta=25°C unless otherwise specified

Parameter	Symbol	Min.	Typ.	Max.	Unit	Conditions
Forward voltage	$V_F$			1.2	V	$I_F=150mA$
Reverse current	$I_R$			0.1	μA	$V_R=85V$
Diode capacitance	$C_d$			3.0	pF	$V_R=0.5V, f=1MHz$
Reverse recovery time	$t_{rr}$			4	ns	$V_R=6V, I_F=10mA, R_L=100\Omega$



High speed Switching Diode

TYPICAL CHARACTERISTICS @ Ta=25°C unless otherwise specified

FIG. 1 - SURGE CURRENT CHARACTERISTICS

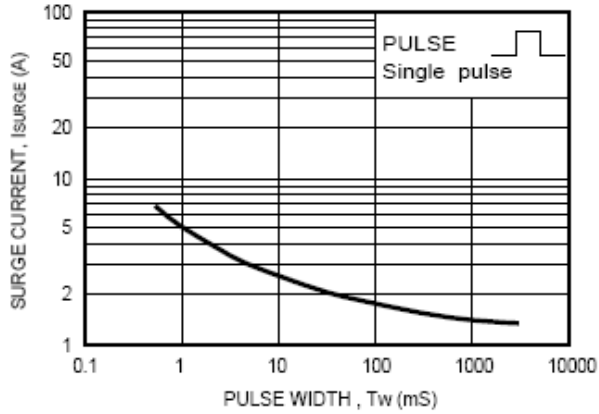


FIG. 2 - FORWARD CHARACTERISTICS

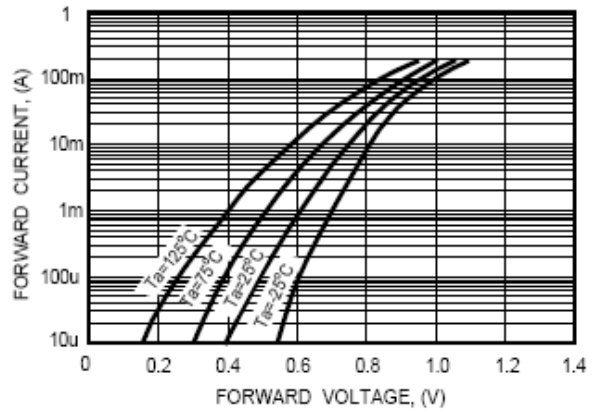


FIG. 3 - TYPICAL JUNCTION CAPACITANCE

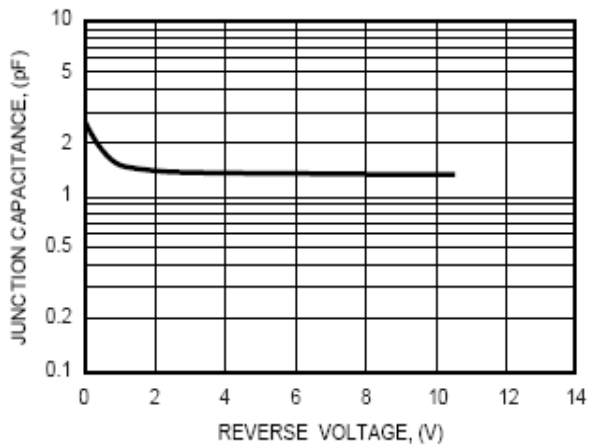


FIG. 4 - REVERSE CHARACTERISTICS

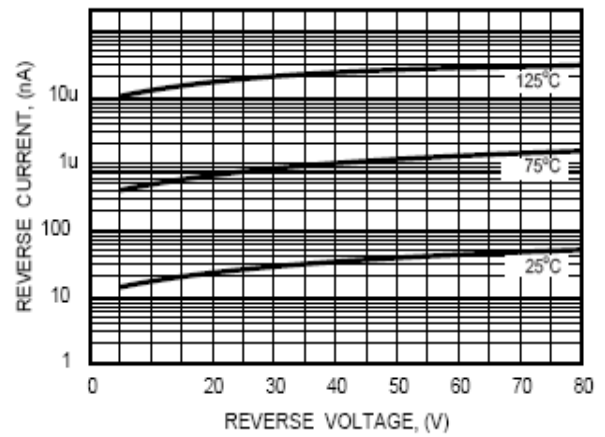
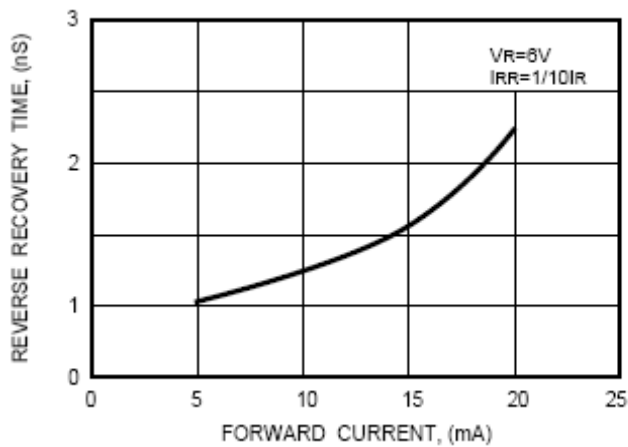


FIG. 5 - REVERSE RECOVERY TIME





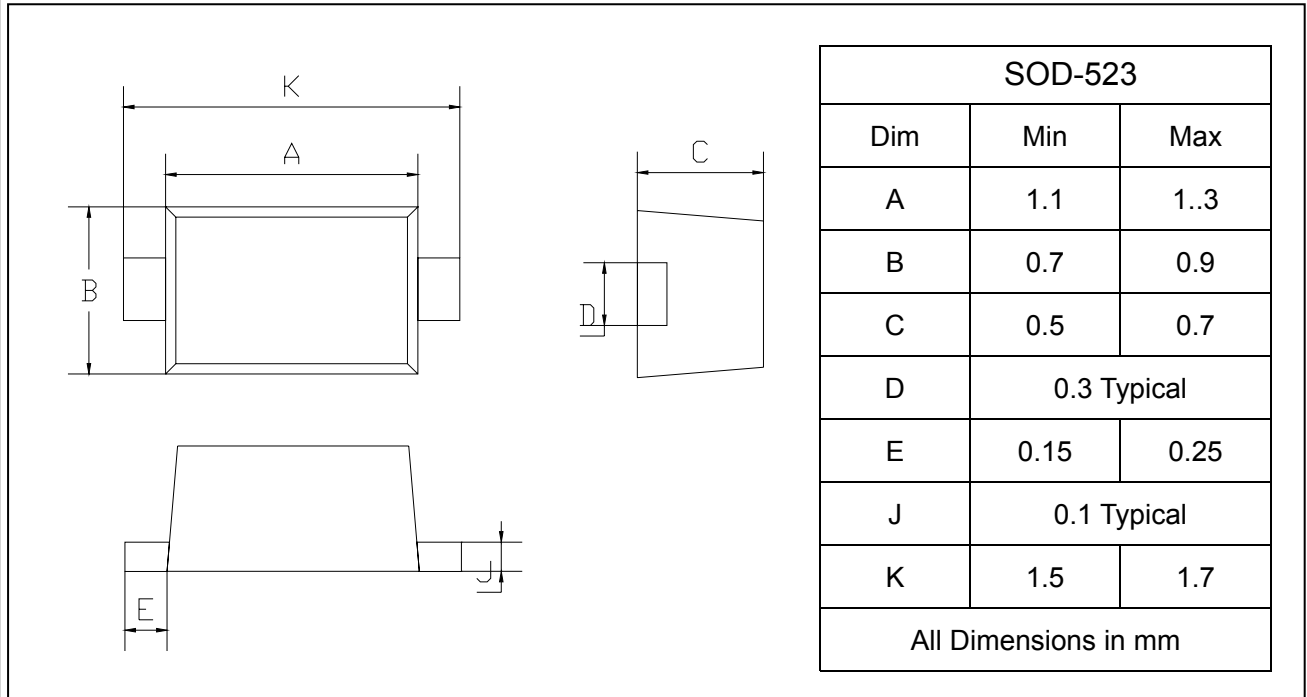
1SS422

## High speed Switching Diode

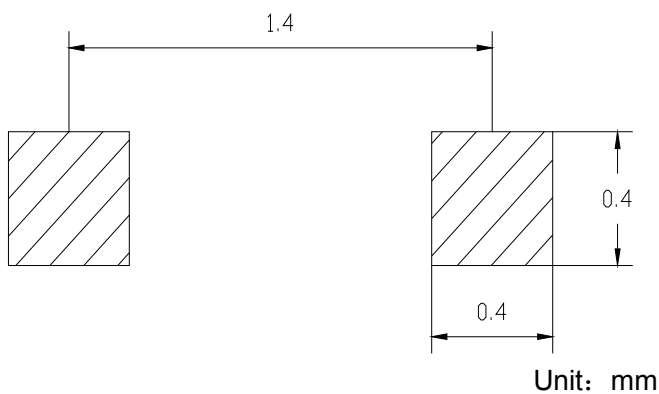
### PACKAGE OUTLINE

Plastic surface mounted package

SOD-523



### SOLDERING FOOTPRINT



### PACKAGE INFORMATION

Device	Package	Shipping
1SS422	SOD-523	3000/Tape&Reel