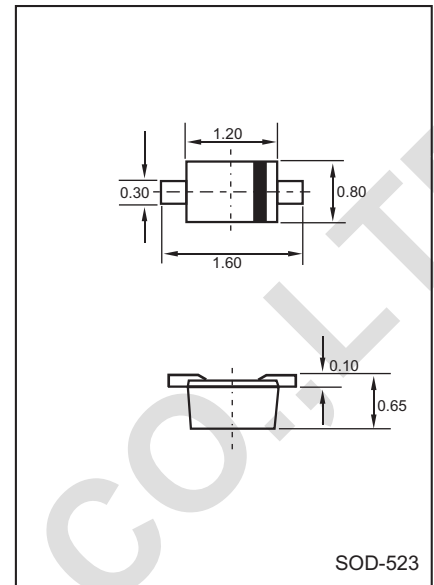


1SS387 High Speed SWITCHING Diodes

FEATURES

Small package



Maximum Ratings and Electrical Characteristics, Single Diode @T_A=25°C

Parameter	Symbol	Limits	Unit
Peak reverse voltage	V _{RM}	85	V
DC reverse voltage	V _R	80	V
Peak forward current	I _{FM}	200	mA
Mean rectifying current	I _O	100	mA
Surge current (10ms)	I _{surge}	1000	mA
Junction temperature	T _j	125	°C
Storage temperature	T _{stg}	-55~+125	°C

Electrical Ratings @T_A=25°C

Parameter	Symbol	Min.	Typ.	Max.	Unit	Conditions
Forward voltage	V _{F1}		0.62		V	I _F =1mA
	V _{F2}		0.75		V	I _F =10mA
	V _{F3}			1.2	V	I _F =100mA
Reverse current	I _{R1}			0.1	μ A	V _R =30V
	I _{R2}			0.5	μ A	V _R =80V
Capacitance between terminals	C _T			3.0	pF	V _R =0, f=1MHZ
Reverse recovery time	t _{rr}			4	ns	V _R =6V, I _F =10mA, R _L =100 Ω

