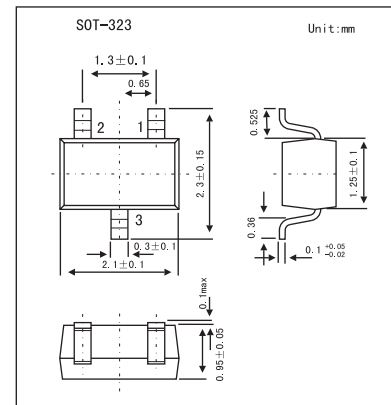


LOW VOLTAGE HIGH SPEED SWITCHING

1SS322

■ Features

- Low forward voltage: $V_{F(3)} = 0.54 \text{ V(Typ)}$
- Low reverse current: $I_{R} = 5 \text{ } \mu\text{A (Typ)}$

■ Absolute Maximum Ratings $T_a = 25^\circ\text{C}$

Parameter	Symbol	Rating	Unit
Maximum (peak) reverse voltage	V_{RM}	45	V
Reverse voltage	V_R	40	V
Maximum (peak) forward current	I_{FM}	300	mA
Average forward Current	I_o	100	mA
Power dissipation	P	100	mW
Junction Temperature	T_j	125	$^\circ\text{C}$
Storage Temperature range	T_{stg}	-55 to +125	$^\circ\text{C}$

(*) Unit rating. Total rating = Unit rating \times 1.5

■ Electrical Characteristics $T_a = 25^\circ\text{C}$

Parameter	Symbol	Test Conditions	Min	Typ	Max	Unit
Forward voltage	$V_{F(1)}$	$I_F = 1 \text{ mA}$		0.28		V
	$V_{F(2)}$	$I_F = 10 \text{ mA}$		0.36		
	$V_{F(3)}$	$I_F = 100 \text{ mA}$		0.54	0.60	
Reverse current	I_R	$V_R = 40 \text{ V}$			5	μA
Total capacitance	C_t	$V_R = 0, f = 1.0 \text{ MHz}$		18	25	pF

■ Marking

Marking	A9
---------	----